

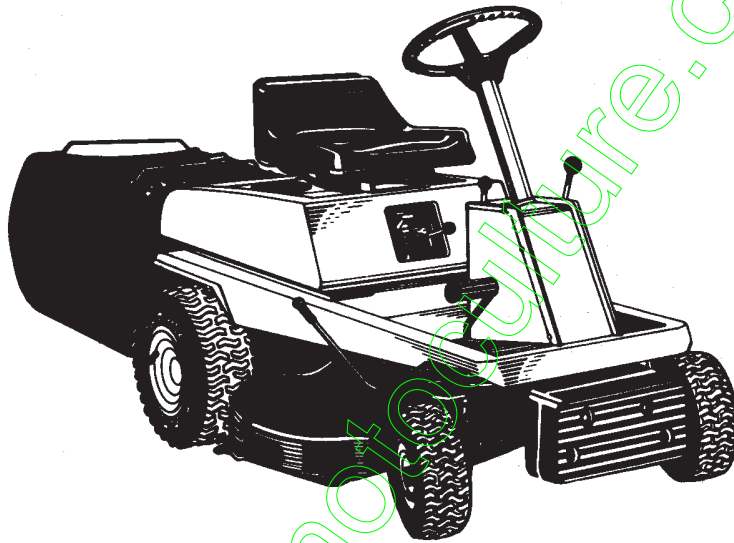
Année
1991

Modèle 876

\$1.00

OWNER'S GUIDE

ASSEMBLY • OPERATION • MAINTENANCE • PARTS



(Model 510C Shown With
Optional Grass Catcher)

**VARIABLE
SPEED
REAR ENGINE
RIDING
MOWERS**

Model Numbers

130-510-000
130-511-000
130-520-000
130-521-000
130-530-000
130-531-000

Important: Read Safety Rules and Instructions Carefully

INDEX

Slope Gauge	3
Contents of Hardware Pack	4
Rules for Safe Operation Practices	5
Assembly Instructions	6
Controls	12
Operation	13
Adjustments	14
Lubrication	17
Maintenance	17
Off-Season Storage	20
Trouble Shooting Guide	21, 22
Illustrated Parts for Lawn Tractor	23-31
Illustrated Parts for Transaxle	32, 33
Electrical System	34
Parts Information	Back Cover

Dear Customer,

So often throughout the year we are all in a rush to meet our daily obligations.

However, we at MTD Products Inc are taking a quick moment out to say...

"Thank you for your business."

Sincerely,
MTD PRODUCTS INC

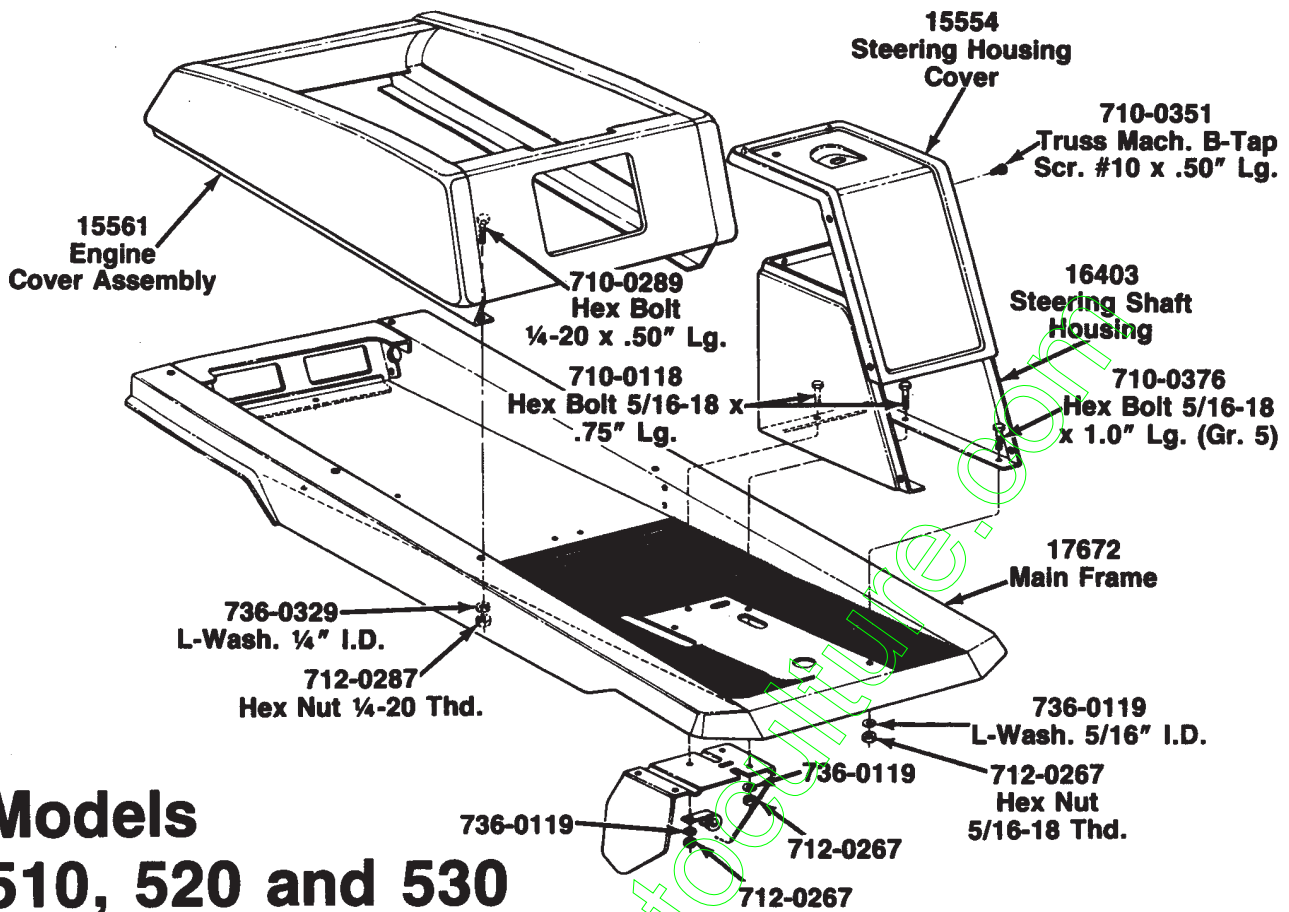


INSTRUCTIONS GIVEN WITH THIS SYMBOL ARE FOR PERSONAL SAFETY. BE SURE TO FOLLOW THEM.

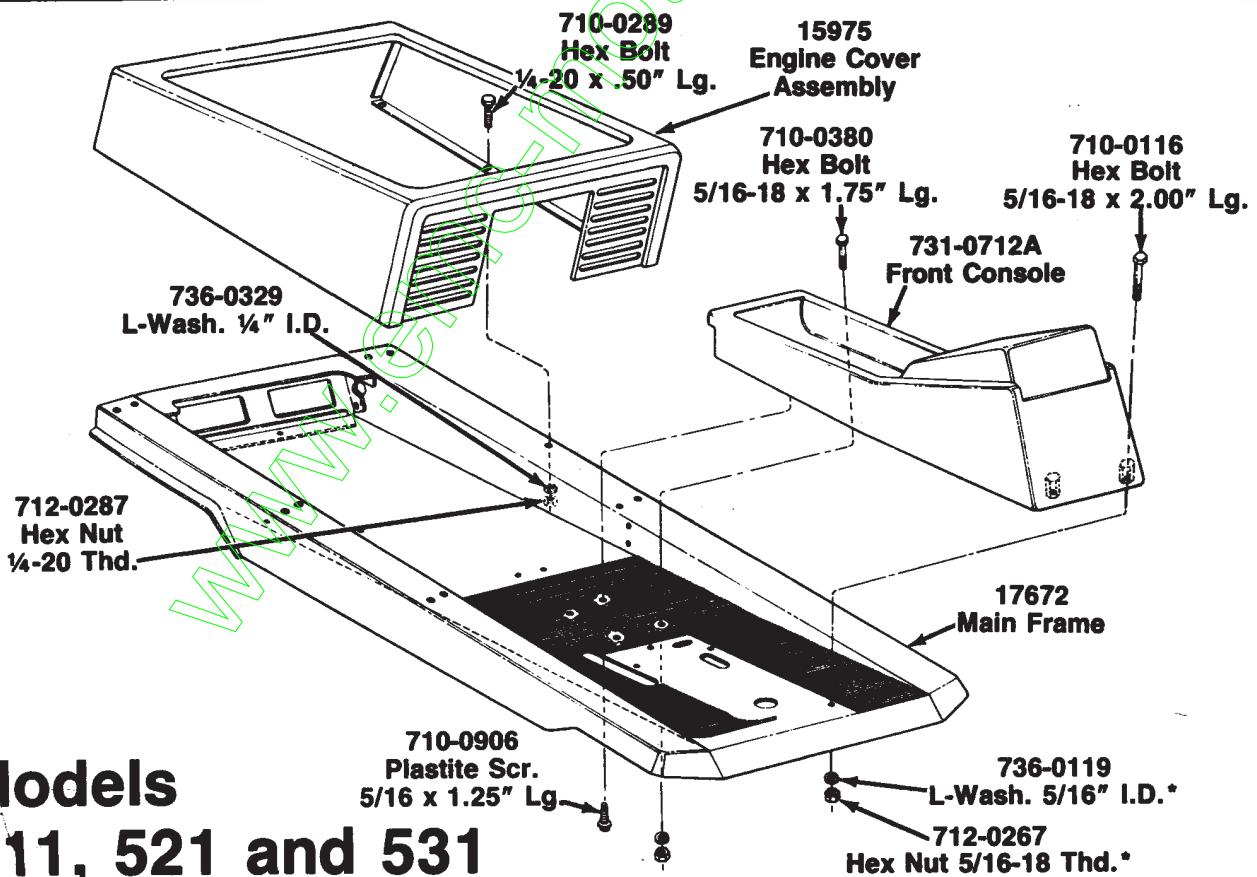
www.emc-motoculture.com

WARNING: This unit is equipped with an internal combustion engine and should not be used on or near any unimproved forest-covered, brush-covered or grass-covered land unless the engine's exhaust system is equipped with a spark arrester meeting applicable local or state laws (if any). If a spark arrester is used, it should be maintained in effective working order by the operator.

In the State of California the above is required by law (Section 4442 of the California Public Resources Code). Other states may have similar laws. Federal laws apply on federal lands. A spark arrester for the muffler is available through your nearest engine authorized service dealer or contact the MTD PRODUCTS, INC Service Department.

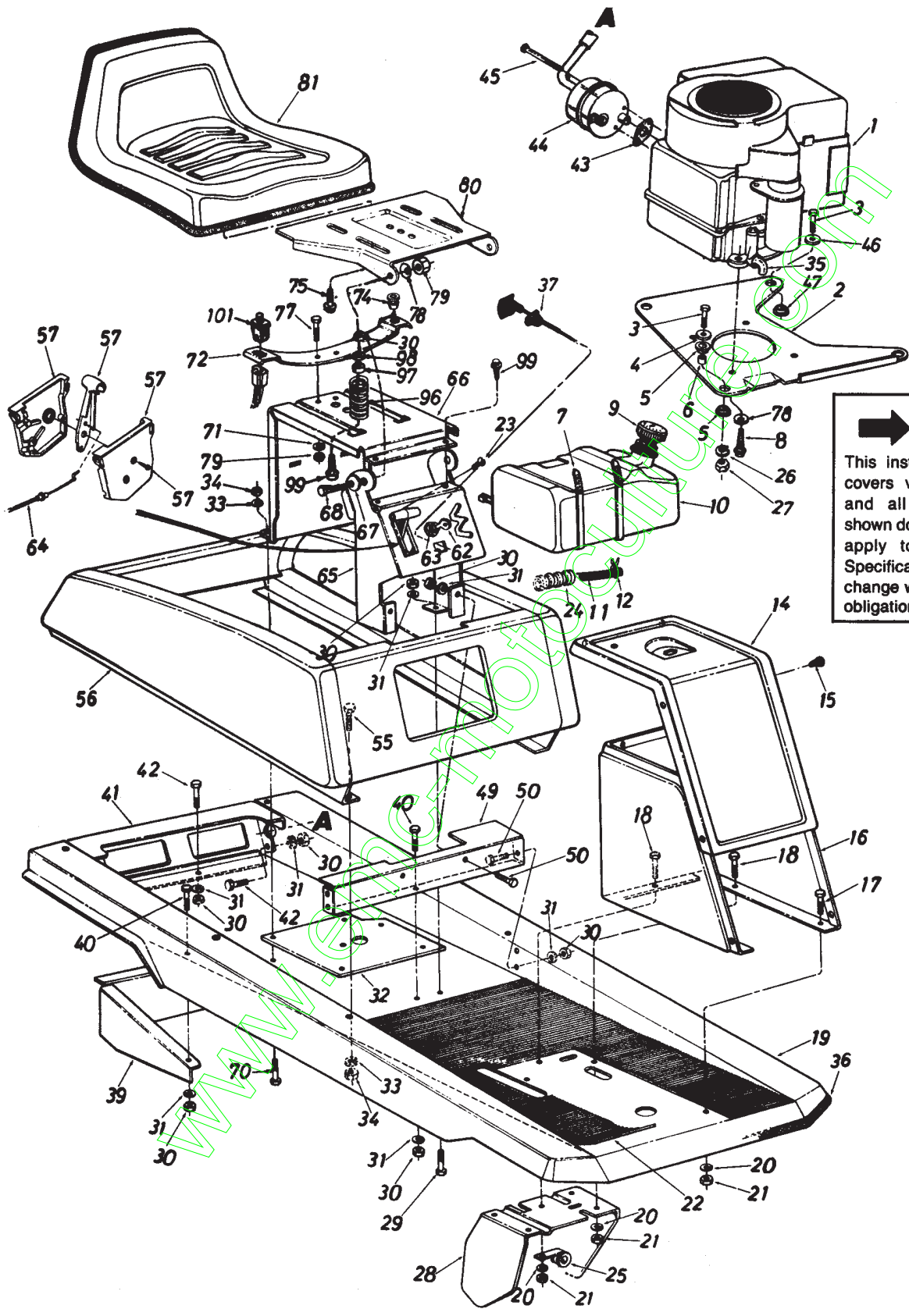


Models 510, 520 and 530



Models 511, 521 and 531

Models 510 thru 531



NOTE

This instruction manual covers various models, and all specifications shown do not necessarily apply to your model. Specifications subject to change without notice or obligation.

Models 510 thru 531

PARTS LIST FOR MODELS 510 THRU 531 RIDING MOWERS

REF. NO.	PART NO.	CODE	DESCRIPTION	REF. NO.	PART NO.	CODE	DESCRIPTION
1	—		Engine	42	710-0621		Hex Bolt 5/16-18 x .50" Lg.*
2	15572A		Engine Mounting Plate	43	721-0207		Exhaust Gasket (8 H.P.)
3	710-0158		Hex Bolt 5/16-24 x 1.25" Lg.*		721-0208		Exhaust Gasket
4	736-0231		Fl-Wash. .330" I.D. x 1.125" O.D.	44	751-0412		(10, 11 & 12 H.P.)
5	722-0153		Engine Mounting Grommet		751-0425		Muffler Ass'y. (8 H.P.)
6	750-0539		Spacer .315" I.D. x .50" O.D. x .520" Lg.		751-0413		Spark Arrestor
7	726-0209		Cable Tie 30.6 Lg.		751-0426		For 8 H.P. Muffler†
8	710-0502A		Hex Wash. Hd. Self-Tap Scr. 3/8-16 x 1.25" Lg.	45	738-0635		Muffler Ass'y. (10, 11 & 12 H.P.)
9	723-0155		Gas Gauge		738-0636		Spark Arrester For
10	751-0368		Fuel Tank	46	736-0343		10, 11 & 12 H.P. Muffler†
11	751-0535-26		Fuel Line—26" Lg.	47	736-0392		Shld. Bolt (8 H.P.)
12	726-0205		Hose Clamp—1/2" O.D. Tube	48	736-0392		Shld. Bolt (10, 11 & 12 H.P.)
14	—		Refer to Page 23	49	15604		Fl-Wash. .330" I.D. x 1.25" O.D.
15	—		Refer to Page 23	50	710-0118		Flange Wash. .320" I.D. x .750" O.D.
16	—		Refer to Page 23	55	710-0289		Seat Support & Frame Brkt.
17	—		Refer to Page 23	56	—		Hex Bolt 5/16-18 x .75" Lg.*
18	—		Refer to Page 23	57	831-0823A		Hex Bolt 1/4-20 x .50" Lg.*
19	—		Refer to Page 23	62	725-0201		Refer to Page 23
20	—		Refer to Page 23	63	725-0267		Throttle Control Box Ass'y.
21	—		Refer to Page 23	64	746-0503		Ignition Key
22	735-0220A		Floor Mat	65	16483A		Ignition Switch
23	710-0779A		Truss Mach. AB-Tap Scr. #10 x .50" Lg.	66	15606A		Throttle Control Wire
24	731-0757		Convuluted Conduit	68	710-0118		Front Seat Bracket
25	726-0175		Clamp	69	712-0267		Rear Seat Bracket
26	736-0119		L-Wash. 5/16" I.D.*	70	710-0855		Hex Bolt 5/16-18 x .75" Lg.*
27	712-0123		Hex Nut 5/16-24 Thd.*	71	736-0119		Hex Nut 5/16-18 Thd.*
28	17677	N	Clutch-Brake Pedal Ass'y.	72	732-0632	N	Hex Tap Scr. 1/4-20 X 1.0" Lg.
29	710-0118		Hex Bolt 5/16-18 x .75" Lg.*	74	731-0555A		L-Wash. 5/16" I.D.*
30	712-0267		Hex Nut 5/16-18 Thd.*	75	710-0623		Seat Spring
31	736-0119		L-Wash. 5/16" I.D.*	77	710-0118		Grommet
32	17713	N	Mounting Brkt. Variable Speed Pulley	78	736-0242		Hex Wash. Hd. Tap Scr. 3/8-16 x 3/4" Lg.
33	736-0329		L-Wash. 1/4" I.D.*	79	712-0158		Hex Bolt 5/16-18 x .75" Lg.*
34	712-0287		Hex Nut 1/4-20 Thd.*	80	15607D		Bell-Wash. .345" I.D. x .88" O.D.
35	737-0125		90° Elbow Male To Female	81	757-0345		Hex Cent. L-Nut 5/16-18 Thd.
36	731-0511-18		Trim Strip 18" Lg.	86	732-0633		Seat Pivot Bracket
37	746-0614A		Choke Control	96	732-0633		Seat Ass'y. Comp.
39	15552		Transaxle Support Ass'y.	97	722-0160		Compression Spring 2.7" Lg.
40	710-0118		Hex Bolt 5/16-18 x .75" Lg.*	98	736-0159		Bushing
41	15571		Rear Frame Panel	99	710-0376		Fl-Wash. .344" I.D. x .875"
				101	725-1441	N	Hex Bolt 5/16-18 x 1" Lg. (Gr. 5)
							Seat Switch

†Optional Parts

*For faster service obtain standard nuts, bolts and washers locally. If these items cannot be obtained locally, order by part number and size as shown on parts list.

CODE: N notates a new part (not previously existing). A three digit number is the color code. Specify color code as shown below if color or finish is important when ordering parts. [i.e., 638 for Red Finish].

NOTE: The engine is not under warranty by the mower manufacturer... If repairs or service is needed on the engine, please contact your nearest authorized engine service outlet. Check the "Yellow Pages" of your telephone book under "Engines—Gasoline."

Find It Fast
In The
Yellow Pages

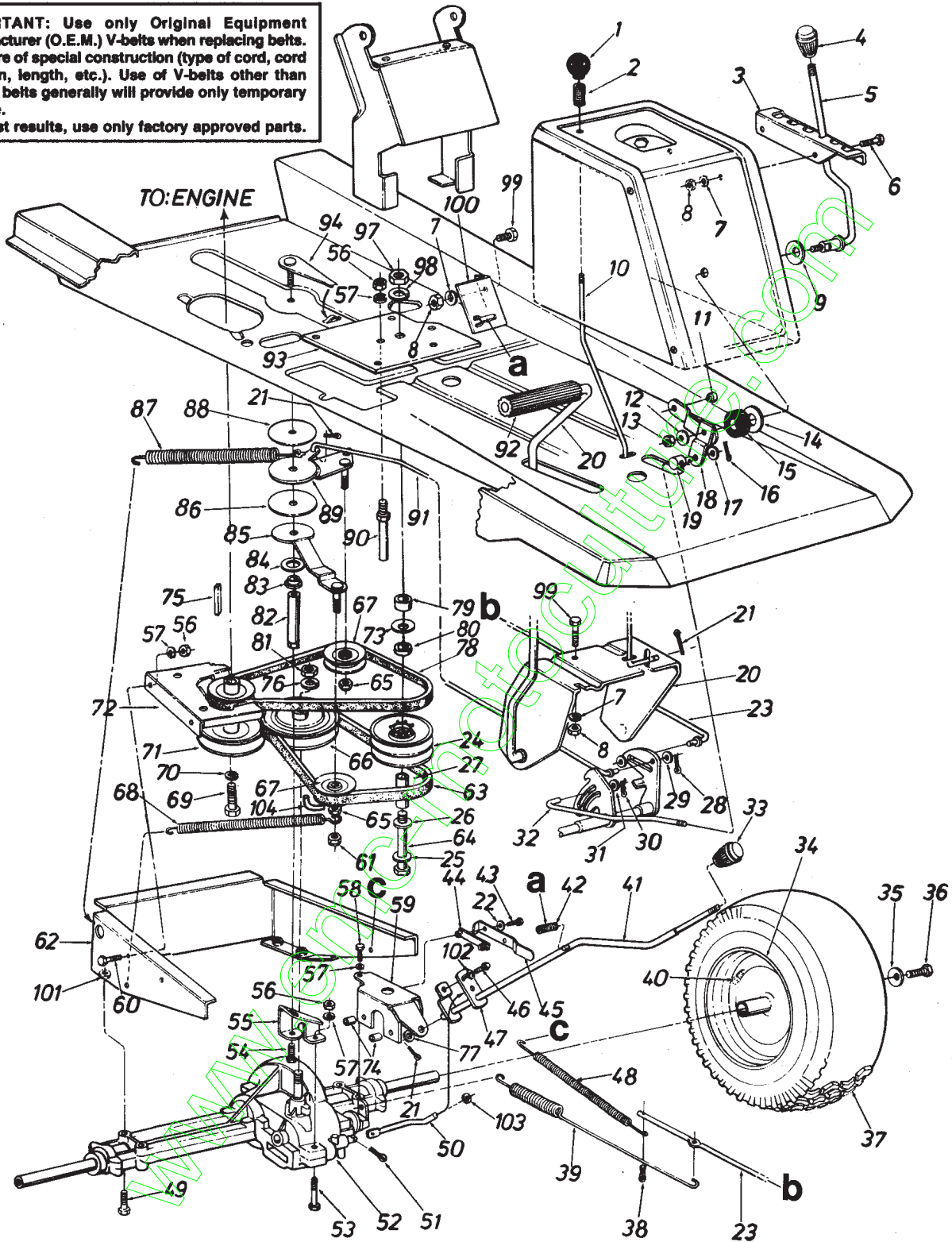
Color Codes

456—Radiant Tangerine
460—Green Flake
483—Charcoal Grey
498—Yellow
499—Beige
621—Brilliant Fire Mist

629—Silver Flake
630—Metallic Blue
637—Black
638—Red
640—Green
646—CM Blue

Models 510 thru 531

IMPORTANT: Use only Original Equipment Manufacturer (O.E.M.) V-belts when replacing belts. They are of special construction (type of cord, cord location, length, etc.). Use of V-belts other than O.E.M. belts generally will provide only temporary service. For best results, use only factory approved parts.



****REAR WHEEL CHART**

Description	16 x 6.50	13 x 5.0
Wheel Assembly Comp.	734-0591	734-0523
Tire Only	734-0275	734-0298
Rim Only	734-0594	734-1376

NOTE: If brand of tire is important, order by part number and description (description is printed on the sidewall of tire) [i.e. Armstrong Super Turf, Goodyear Softrac, Carlisle Turf Saver, etc.].

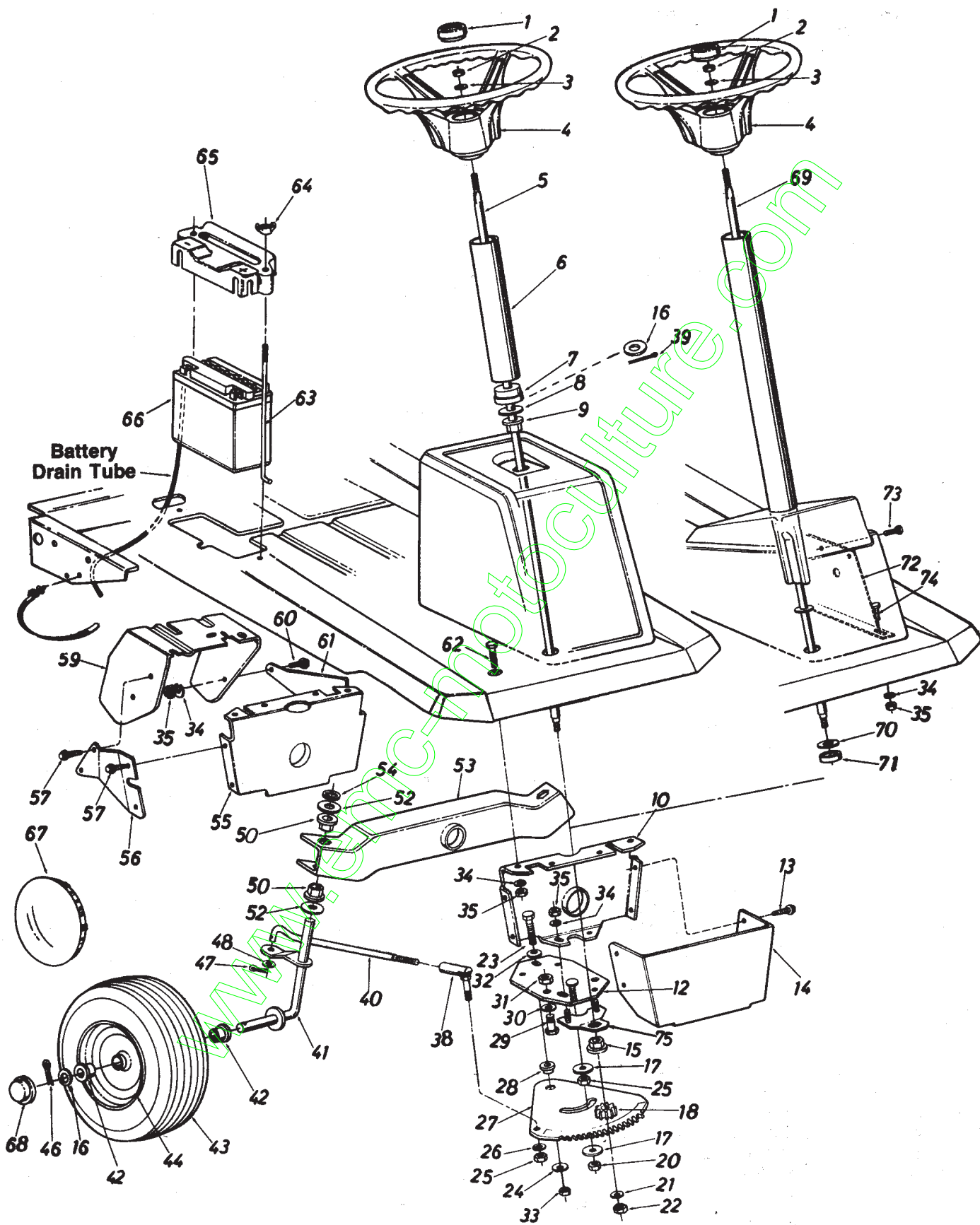
Models 510 thru 531

PARTS LIST FOR MODELS 510 THRU 531 RIDING MOWERS

REF. NO.	PART NO.	CODE	DESCRIPTION	REF. NO.	PART NO.	CODE	DESCRIPTION
1	720-0187		Ball Knob 1/4-20 Thd. 1.25"	51	714-0149B		Intern. Cotter Pin
2	732-0437		Compression Spring	52	717-0775V		Transaxle (See Breakdown)
3	16389		Speed Index Bracket	53	710-0136		Hex Bolt 1/4-20 x 1.75" Lg.*
4	720-0232		Shift Knob	54	710-0180		Hex Bolt 3/8-24 x .75" Lg.*
5	747-0652		Speed Control Lever	55	15564A		Torque Rod Bracket
6	710-0323		Truss Mach. Scr. 5/16-18 x .75" Lg.*	56	712-0287		Hex Nut 1/4-20 Thd.*
7	736-0119		L-Wash. 5/16" I.D.*	57	736-0329		L-Wash. 1/4" I.D.*
8	712-0267		Hex Nut 5/16-18 Thd.*	58	710-0965		Self-Tap Mach. Scr. Type "C" 1/4-20 x 1.37" Lg.
9	736-0253		Bell-Wash. .345" I.D. x .88"	59	17515	N	Shift Lever Support Brkt.
10	747-0427		Brake Locking Rod (510, 520 & 530)	60	710-0597		Hex Bolt 1/4-20 x 1.00" Lg.*
	747-0450		Brake Locking Rod (511, 521 & 531)	61	712-0262		Hex L-Nut 3/8-24 Thd.
11	731-0493		Cap	62	15552		Transaxle Support Ass'y.
12	736-0242		Bell-Wash. .345" I.D. x .08"	63	754-0240		V-Belt
13	712-0158		Hex Cent. L-Nut 5/16-18 Thd.	64	710-0693		Hex Bolt 3/8-16 x 4.5" Lg.
14	736-0100		FI-Wash. .531" I.D. x 1.25" O.D.	65	712-0116		Hex Ins. L-Nut 3/8-24 Thd.
15	735-0219		Rubber Washer	66	756-0390		5/8 V-Pulley .500" I.D. x 6"
16	714-0145		Intern. Cotter Pin 1/2" Dia.	67	756-0116		V-Belt Idler .38" I.D. x 3.06"
17	736-0275		FI-Wash. .34" I.D. x .68" O.D.	68	732-0308		Ext. Spring .50" O.D. x 6.37"
18	16396		Speed Control Lever Brkt. Ass'y.	69	710-0314		Hex Bolt 7/16-20 x 1.00" Lg.
19	711-0677		Ferrule—Engagement	70	736-0171		L-Wash. 7/16" I.D.
20	17677	N	Clutch/Brake Pedal Ass'y.	71	756-0391		Engine Pulley .500" O.D. & 3.56" O.D.
21	714-0507		Cotter Pin 3/32" Dia. x .75"*	72	15623		Upper Eng. Belt Guard
22	736-0426		Plastic Washer	73	736-0219		Bell-Wash. .4" I.D. x 1.12" O.D.
23	747-0431		Brake Rod	74	750-0686		Spacer .256" I.D. x .50" O.D.
24	717-0884		Variable Speed Pulley Ass'y.	75	714-0114		Sq.-Key 1/4" x 2.00" Lg.
25	736-0247		FI-Wash. .4" I.D. x 1.25" O.D.	76	736-0921		L-Wash. 1/2" I.D.*
26	741-0405		Thrust Brg. 1.25" O.D. x .56" I.D.	77	736-0226		FI-Wash. .469" I.D. x .88" O.D.
27	750-0705		Spacer Sleeve 2.71"	78	754-0241		V-Belt
28	714-0115		Cotter Pin 1/8" Dia. x 1.25"*	79	750-0706		Spacer 1.00" x .380" O.D.
29	736-0275		FI-Wash. .34" I.D. x .60" O.D.	80	741-0405		Thrust Wash. .56 I.D. x 1.25" O.D.
30	714-0104		Intern. Cot-Pin 5/16" Dia.	81	712-0922		Hex Nut 1/2-20 Thd.
31	736-0275		FI-Wash. .34" I.D. x .60" O.D.	82	711-0676		Torque Rod
32	747-0394A		Speed Control Link	83	748-0294		Flange Bearing .378
33	720-0232		Shift Knob	84	736-0187		FI-Wash. .640" I.D. x 1.24"
34	**		Rear Wheel Rim Only	85	15569A		Idler Bracket Ass'y.
35	736-0242		Bell-Wash. .345" I.D. x .88"	86	736-0283		Thrust Wash. .635" I.D.
36	710-0627		Hex L-Bolt 5/16-24 x .75" Lg.	87	732-0556		Extension Spring 7.58" Lg.
37	**		Rear Wheel Ass'y.—Comp.	88	736-0284		Thrust Wash. .385" I.D.
38	714-0470		Cotter Pin 1/8" Dia. x 1.25"*	89	15585		Idler Bracket Ass'y. For Clutch
39	732-0389		Extension Spring 17.0" Lg.	90	711-0747		Belt Guard Pin 1/4" Dia.
40	734-0255		Air Valve	91	747-0560		Clutch Rod
41	16475		Shift Lever Ass'y.	92	735-0196		Foot Pad
42	732-0499		Compression Spring 1.50" Lg.	93	17100		Mtg. Brkt. Variable Pulley
43	710-0227		Hex Wash. Hd. Scr. #8 x .5" Lg.	94	15642		Weld Bolt Brkt. Ass'y.
44	726-0222		Insulator Nut	97	712-0798		Hex Nut 3/8-16
45	732-0615	N	Spring Switch	98	736-0217		L-Wash. 3/8 Heavy Duty
46	710-0289		Hex Bolt 1/4-20 x .50" Lg.*	99	710-0118		Hex Bolt 5/16-18 x .75" Lg.*
47	16476		Shift Lever Adjusting Link	100	16482		Shift Lever Spring Brkt.
48	732-0487		Ext. Spring 8 1/4" Lg.	101	712-0265		Hex Sems Nut 5/16-18 Thd.
49	710-0378		Hex Bolt 5/16-18 x 2.5" Lg.	102	736-0270		Bell-Wash. .265" I.D. x .75" O.D.
50	747-0668		Shift Rod	103	726-0231		Push on Retaining Ring
				104	747-0758	N	Belt Guard

*For faster service obtain standard nuts, bolts and washers locally. If these items cannot be obtained locally, order by part number and size as shown on parts list.

Models 510 thru 531



Models 510 thru 531

PARTS LIST FOR MODELS 510 THRU 531 RIDING MOWERS

REF. NO.	PART NO.	CODE	DESCRIPTION	REF. NO.	PART NO.	CODE	DESCRIPTION
1	731-0220		Steering Wheel Cap	40	747-0417		Steering Tie Rod
2	712-0237		Hex L-Nut 5/16-24 Thd.	41	15616A		Front Axle Ass'y.—R.H.
3	736-0242		Bell-Wash. .345" I.D. x .88" O.D.		15617A		Front Axle Ass'y.—L.H. (Not Shown)
4	731-0805		Steering Wheel Ass'y.				Flange Bearing
5	738-0700		Steering Shaft†	42	◀		Front Wheel Ass'y. Comp.
6	750-0568		Steering Tube Spacer (Chrome)†	43	◀		Front Wheel Rim Only
7	731-0651		Steering Tube Spacer†	44	◀		Cotter Pin 1/8" Dia. x 1.25"*
8	736-0187		Fl-Wash. .635" I.D. x 1.24" O.D.†	46	714-0470		Cotter Pin 1/8" Dia. x 1.00"*
9	741-0225		Hex Flange Bearing†	47	714-0115		Fl-Wash. .385" I.D. x .87"
10	15613		Pivot Bar Bracket	48	736-0300		Hex Flange Bearing
12	17653	N	Steering Gear Support Brkt.	50	741-0225		Fl-Wash. .635" I.D. x 1.12"
13	710-0776A		Hex Wash. Hd. AB-Tap Scr. 1/4 x .62" Lg.	52	736-0156		Pivot Bar Ass'y.
14	15608		Steering Gear Cover	53	15610		Speed Nut 5/8" I.D.
15	741-0225		Hex Flange Bearing	54	726-0159B		Pivot Bar Bracket
16	736-0285		Fl-Wash. .640" I.D. x 1.5" O.D.	55	15613		Bracket Reinforcement—R.H.
17	736-0320		Fl-Washer 3/8" I.D. x 1.37" O.D.	56	15694		Hex Wash. Hd. AB-Tap Scr. 1/4 x .62" Lg.
18	748-0290		Steering Pinion Gear	57	710-0776A		Cable Tie**
20	712-0116		Hex L-Nut 3/8-24	58	726-0154		Clutch-Brake Pedal Ass'y.
21	736-0275		Fl-Wash. .34" I.D. x .68" O.D.	59	17677	N	Hex Bolt 5/16-18 x .75" Lg.*
22	712-0237		Hex L-Nut 5/16-24 Thd.	60	710-0118		Bracket Reinforcement—L.H.
23	710-0459		Hex Bolt 3/8-24 x 1.5" Lg. (Grade 5)	61	15699A	N	Hex Bolt 5/16-18 x .75" Lg.*
24	736-0320		Fl-Wash. .385" I.D. x 1.38"	62	710-0118		Battery Hold Down Rod
25	712-0241		Hex Nut 3/8-24 Thd.*	63	711-0222		Wing Nut Solid 1/4-20 Thd.
26	736-0169		L-Wash. 3/8" I.D.*	64	712-0113		Battery Hold Down Cover
27	717-0472A	N	Steering Gear Segment	65	731-0708		12V Battery
28	738-0541		Shoulder Spacer .622" Dia. x .218	66	725-0514A		Chrome Hub Cap (Optional)
29	710-0689		Hex Bolt (Nylon) 1/2-13 x .75"	67	734-1219		Plastic Hub Cap (Optional)
30	736-0160		Fl-Wash. .530" I.D. x .930"	68	731-0484A		Steering Shaft Ass'y. (511 thru 514)††
31	712-0206		Hex Nut 1/2-13 Thd.*	69	16513		Fl-Wash. .635" I.D. x 1.24" O.D.††
32	736-0105		Bell-Wash. .385" I.D. x .88"	70	736-0187		Spacer (Plastic)††
33	712-0241		Hex Nut 3/8-24 Thd.*	71	750-0532		Reinf. Brkt. Ass'y.††
34	736-0119		L-Wash. 5/16" I.D.*	72	16069		Truss Mach. Scr. 5/16-18††
35	712-0267		Hex Nut 5/16-18 Thd.*	73	710-0323		Hex Bolt 5/16-18 x 2.00" Lg.††
38	723-0156		Ball Joint Ass'y. 3/8-24 Thd.	74	710-0116		Steering Gear Adjuster Ass'y.
39	714-0115		Cotter Pin 1/8" Dia. x 1.00" Lg.*†	75	17655	N	

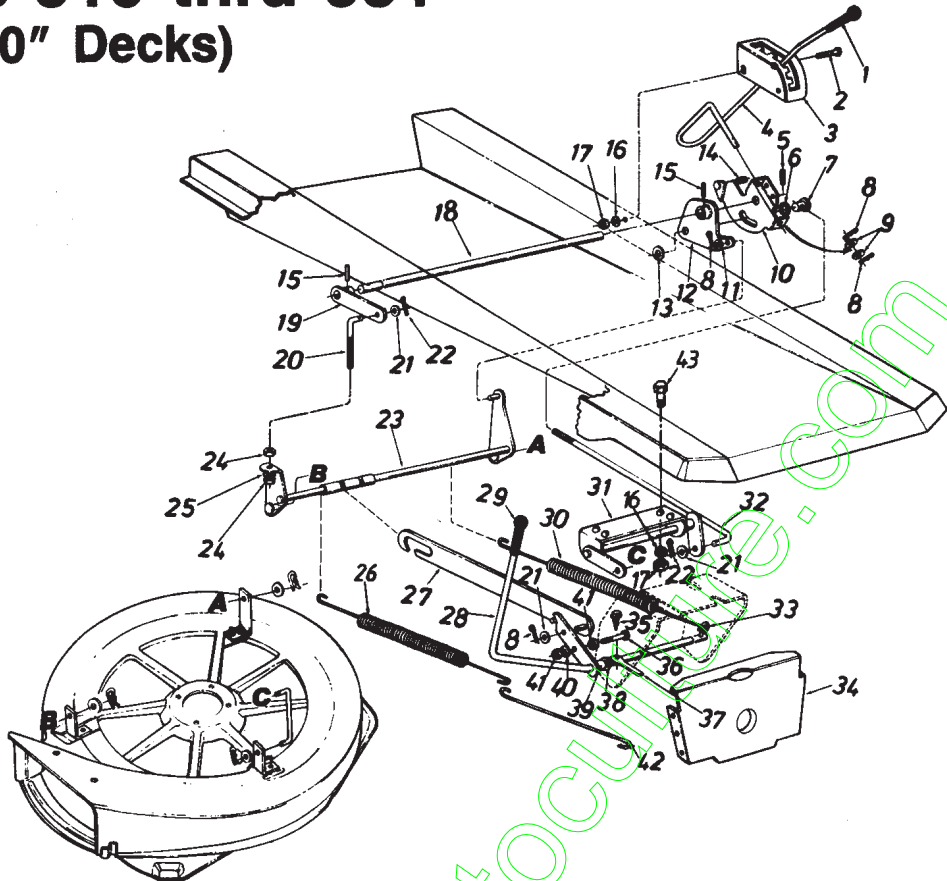
†Models 510, 520 & 530 Only
 ††Models 511, 521 & 531 Only

◀FRONT WHEEL CHART

Description	11 x 4.0	10.5 x 3.5
Wheel Assembly Comp.	734-1454	734-1000
Tire Only	734-1382	—
Rim Only	734-1455	—
Bearing	741-0487	741-0313
Air Valve	734-0255	—
Grease Fitting	737-0146	—

NOTE: If brand of tire is important, order by part number and description (description is printed on the sidewall of tire) [i.e. Armstrong Super Turf, Goodyear Softrac, Carlisle Turf Saver, etc.].

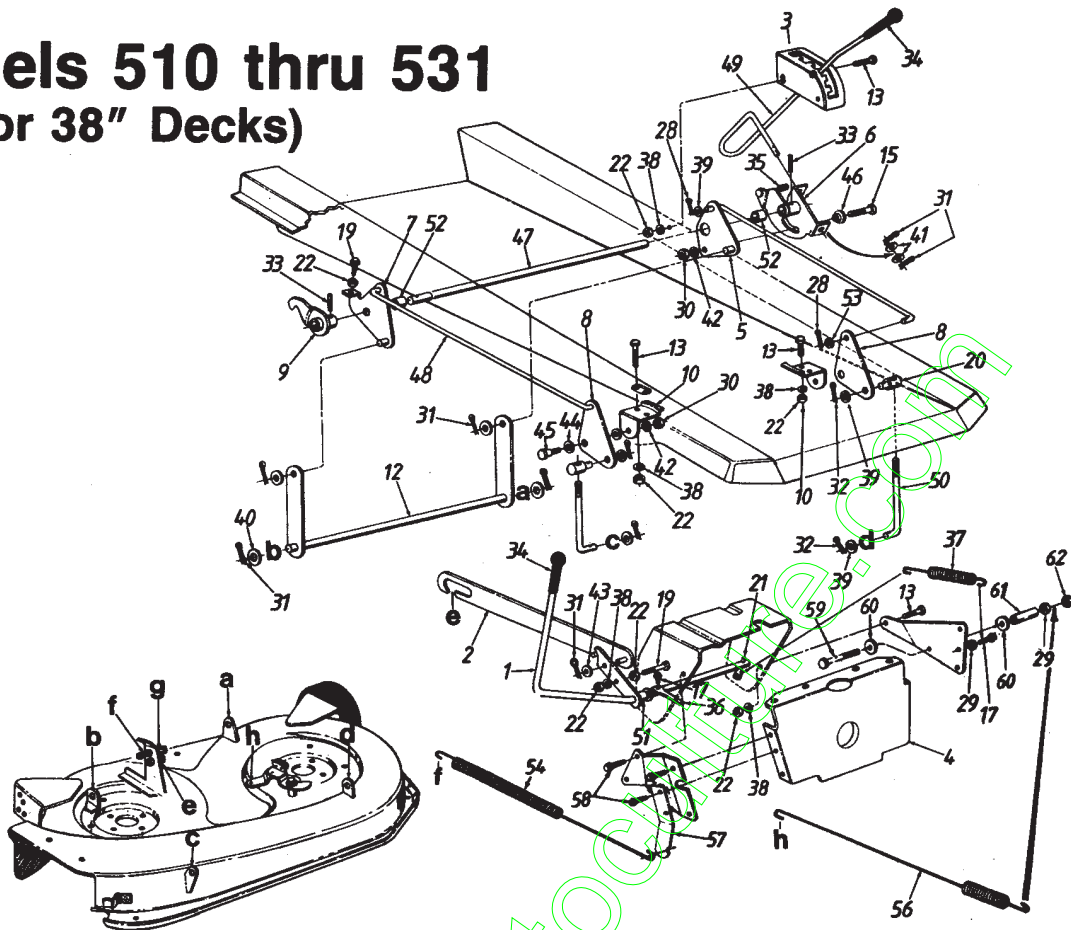
Models 510 thru 531 (26" or 30" Decks)



PARTS LIST FOR MODELS 510 THRU 531 RIDING MOWERS WITH 26" OR 30" DECKS

REF. NO.	PART NO.	CODE	DESCRIPTION	REF. NO.	PART NO.	CODE	DESCRIPTION
1	720-0223		Grip	22	714-0145		Intern. Cotter Pin 1/2" Dia.
2	710-0323		Truss Mach. Scr. 5/16-18 x .75" Lg.*	23	15600A		Deck Link Ass'y.—Rear
3	16397		Deck Index Bracket	24	712-0798		Hex Nut 3/8-16 Thd.*
4	747-0651		Deck Lift Handle	25	736-0169		L-Wash. 3/8" I.D.*
5	715-0134		Spring Pin Spir. 3/16" Dia. x 1.50" Lg.	26	732-0540		Extension Spring .73" O.D. x 13.84" Lg.
6	736-0187		FI-Wash. .385" I.D. x .87" O.D.	27	15644A		Deck Drive Control Bracket
7	711-0749		Adj. Ferrule Deck Lift Handle	28	15568		Blade Engagement Lever Ass'y.
8	714-0115		Cotter Pin 1/8" Dia. x 1.00" Lg.*	29	720-0223		Grip
9	736-0160		FI-Wash. .531" I.D. x .930" O.D.	30	732-0540		Extension Spring .73" O.D. x 13.84" Lg.
10	16402		Deck Lift Handle Retainer Ass'y.	31	15573A	N	Deck Lift Ass'y.—Front
11	736-0300		FI-Wash. .385" I.D. x .87" O.D.	32	747-0426		Deck Lift Connecting Rod
12	15578		Deck Lift Brkt. Ass'y.—L.H.	33	711-0753		Clevis Pin Special .250" Dia.
13	736-0162		FI-Wash. .635" I.D. x 1.04" O.D.	34	15613		Pivot Bar Bracket
14	732-0430		Compression Spring .50" Dia. x 1.0" Lg.	35	710-0642		Hex TT-Tap Scr. 1/4-20 x .75" Lg.
15	715-0114		Spring Pin Spir. 1/4" Dia. x 1.50" Lg.	36	710-0805		Hex Bolt 5/16-18 x 1.50" Lg. (Grade 5)
16	736-0119		L-Wash. 5/16" I.D.*	37	732-0435		Switch Actuator
17	712-0267		Hex Nut 5/16-18 Thd.*	38	736-0160		FI-Wash. .531" I.D. x .930" O.D.
18	738-0550		Rear Hgt. Adj. Shaft	39	750-0760	N	Spacer .511" I.D. x .70" O.D. x .38" Lg.
19	15609A		Deck Lift Brkt. Ass'y.—R.H.	40	736-0119		L-Wash. 5/16" I.D.*
20	710-0866		Deck Adj. Scr. 3/8-16 Thd.	41	712-0267		Hex Nut 5/16-18 Thd.*
21	736-0300		FI-Wash. .385" I.D. x .87" O.D.	42	732-0451B		Spring Hook
				43	710-0118		Hex Bolt 5/16-18 x .75" Lg.

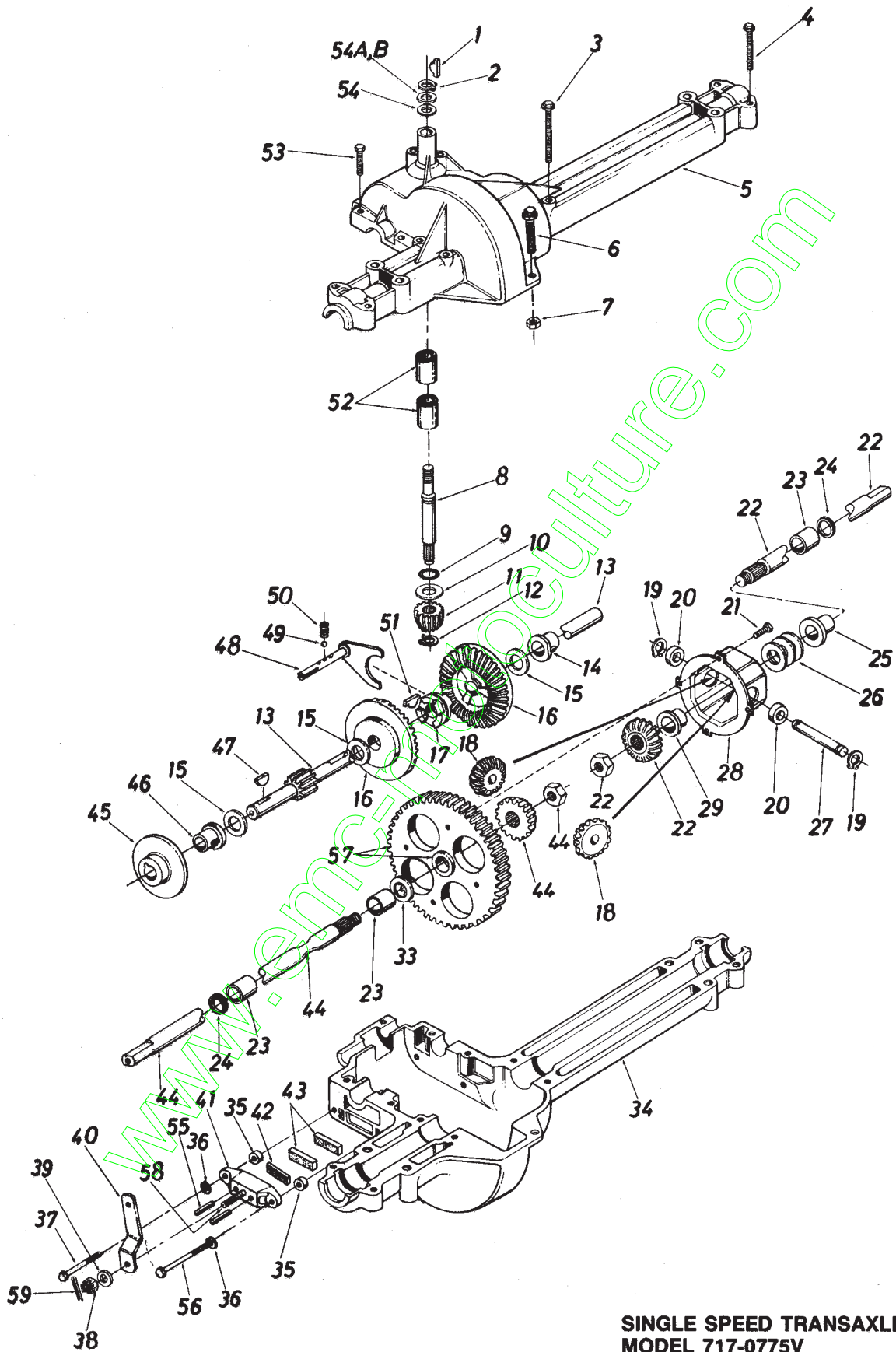
Models 510 thru 531 (32" or 38" Decks)



PARTS LIST FOR MODELS 510 THRU 531 RIDING MOWERS WITH 32" OR 38" DECKS

REF. NO.	PART NO.	CODE	DESCRIPTION	REF. NO.	PART NO.	CODE	DESCRIPTION
1	15568		Blade Engagement Lever Ass'y.	36	732-0435		Switch Actuator
2	15644A		Deck Drive Control Brkt. Ass'y.	37	732-0565		Ext. Spring 5.86" Lg.
3	16397		Deck Index Bracket	38	736-0119		L-Wash 5/16" I.D.
4	15613		Pivot Bar Brkt.	39	736-0140		FI-Wash. .385 I.D. x .62
5	17108		Deck Lift Brkt. Ass'y.	40	736-0156		FI-Wash. .635 I.D. x 1.12
6	17109		Deck Lift Handle Retainer Ass'y.	41	736-0160		FI-Wash. .531 I.D. x .930
7	17111		Deck Lift Brkt. Ass'y.	42	736-0169		L-Wash. 3/8" I.D.*
8	17112		Deck Lift Bracket	43	736-0300		FI-Wash. .385 I.D. x .87 O.D.
9	17114A	N	Deck Lift Float Brkt Ass'y.	44	736-0232		Spring Washer .530 I.D.
10	17115		Deck Lift Pivot Brkt.	45	738-0183		Shld. Bolt .500" Dia. x .215"
12	17123		Stabilizer Shaft Ass'y.	46	738-0347		Shld. Spacer .625" I.D.
13	710-0118		Hex Bolt 5/16-18 x .75" Lg.	47	738-0550		Rear Hgt. Adj. Shaft
15	710-0253		Hex Bolt 3/8-16 x 1" Lg.	48	747-0557		Connecting Rod
17	710-0778		Hex Wash. Hd. Scr. 1/4-20 x 1.5" Lg.	49	747-0651		Deck Lift Handle
19	710-0817		Hex Wash.-Tap Scr. 5/16-18 x 1.25" Lg.	50	747-0690		J-Bolt 5.4" Lg.
20	711-0198		Ferrule	51	750-0515		Spacer .511 I.D.
21	711-0753		Clevis Pin (Special)	52	750-0707		Spacer .885 I.D.
22	712-0267		Hex Nut 5/16-18 Thd.*	53	736-0264		FI-Wash. 5/16" I.D.*
28	714-0507		Cotter Pin 3/32" Dia.	54	732-0531		Ext. Spring 22.05" Lg.
29	712-0287		Hex Nut 1/4-20 Thd.	56	732-0563		Ext. Spring 15.38" Lg.
30	712-0798		Hex Nut 3/8-16 Thd.	57	17310		Spring Anchor
31	714-0101		Internal Cot. Pin 1/2" Dia.	58	710-0776		Hex Wash. Hd. AB-Tap Scr. 1/4 x .62" Lg.
32	714-0145		Int. Cot. Pins 3/8" Dia.	59	710-0102		Hex Bolt 1/4-20 x 2.5" Lg.
33	715-0114A	N	Spring Pin Spir. 1/4" Dia.	60	736-0176		FI-Wash. .25" I.D. x .93" O.D.
34	720-0223		Grip	61	750-0583		Spacer .255" I.D.
35	732-0430		Compression Spring 1.04"	62	712-0291		Hex L-Nut 1/4-20 Thd.

Models 510 thru 531



SINGLE SPEED TRANSAXLE—L.H.
MODEL 717-0775V

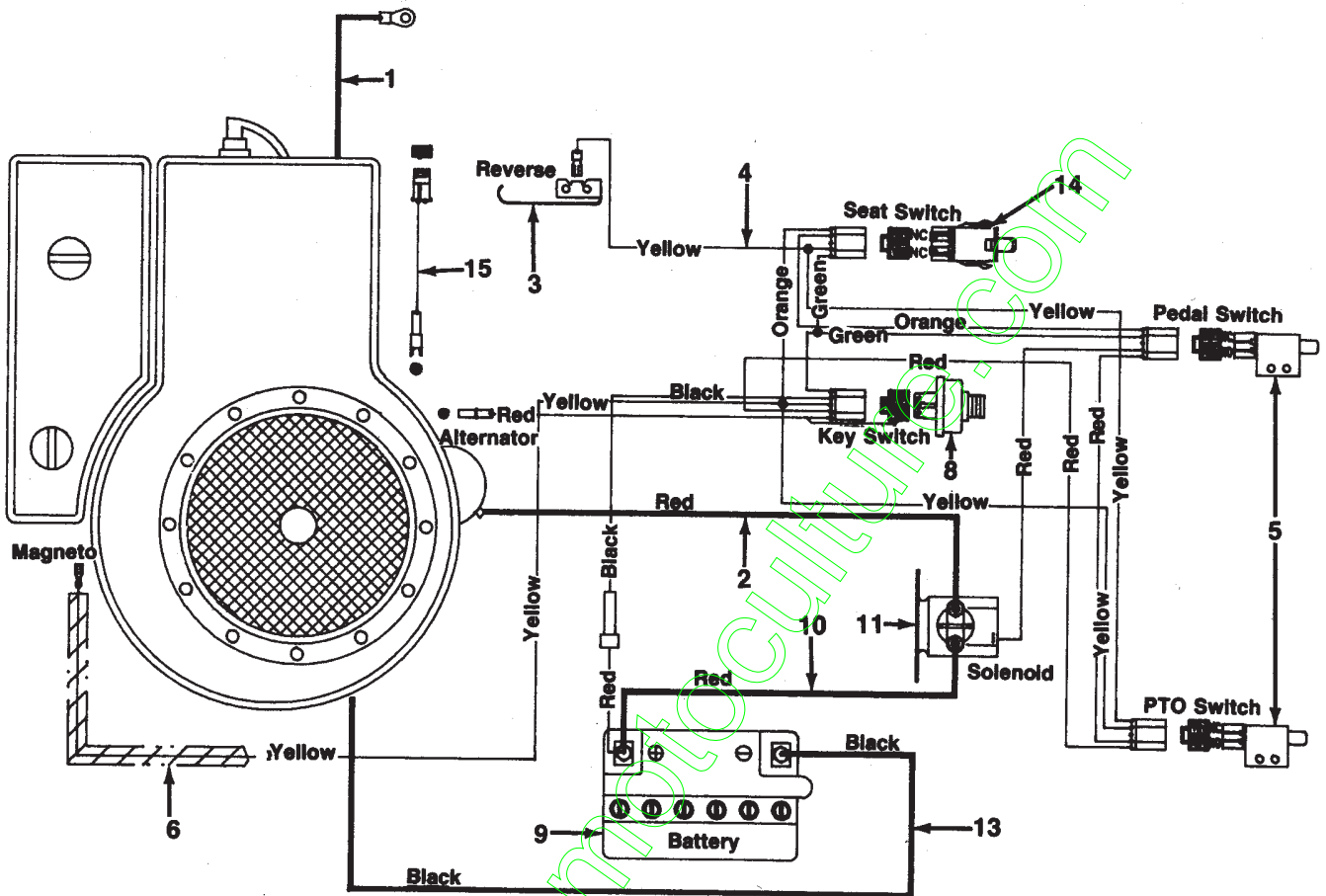
Models 510 thru 531

PARTS LIST FOR SINGLE SPEED TRANSAXLE LEFT HAND 717-0775V

REF. NO.	PART NO.	CODE	DESCRIPTION	REF. NO.	PART NO.	CODE	DESCRIPTION
1	714-0129		#4 Hi-Pro Key 3/32 x 5/8" Dia.	34	717-0761		Lower Housing
2	716-0115		Snap Ring .625" Shaft	35	750-0555		Spacer .53" O.D. x 3/8" Lg.
3	710-0854		Hex Bolt 1/4-20 x 1.75" Lg.*	36	736-0329		L-Wash. 1/4" I.D.*
4	710-0378		Hex Bolt 5/16-18 x 2.5"	37	710-0886		Hex Bolt 1/4-20 x 1.50" Lg. (Grade 5)
5	717-0764		Upper Housing	38	712-0335		Castle Nut 5/16-24 Thd.
6	710-0889		Hex Fl-Bolt 1/4-20 x .88" Lg.*	39	736-0159		Fl-Wash. .344" I.D. x .875" O.D.
7	712-0287		Hex Nut 1/4-20 Thd.*	40	717-0772		Actuating Arm
8	717-0634		Input Shaft	41	717-0679		Brake Yoke
9	721-0178		Square Seal 5/8" I.D.	42	717-0682		Puck Plate
10	736-0335		Thrust Washer 5/8" I.D. x 1.25" O.D.	43	717-0678		Brake Puck
11	717-0633		Pinion Input 14T	44	717-0765		Axle L.H. Ass'y.—Kit
12	716-0108		Retaining Ring 7/16" Ext.	45	717-0677		Brake Disc
13	717-0768		Drive Shaft	46	741-0337		Flange Bearing 5/8" I.D. x 15/16" Lg.
14	741-0336		Flange Brg. 5/8" I.D. x 3/4" Lg.*	47	714-0161		Woodruff Key 3/16 x 5/8 HT
15	**		Fl-Wash. (See Below)	48	717-0754		Shift Fork Ass'y.
16	717-0757		Bevel Gear 42T	49	741-0862		Ball Detent .250" Dia.
17	717-0667		Clutch Collar	50	732-0863		Spring Detent
18	717-1020		Miter Gear 15T (H.D.)	51	714-0169		#9 Hi-Pro Key 3/16" x 3/4" Dia. HT
19	716-0142		Snap Ring	52	741-0335		Needle Brg. 5/8" I.D. x 1/2" Lg.
20	717-0690		Thrust Bearing 1/2" I.D. x 1.0" O.D.	53	710-0855		Hex Bolt 1/4-20 x 1.00" Lg.
21	710-0862		Pan Head Scr. 1/4-20 x .50" Lg. w/Patch	54	736-0336		Fl-Wash. 5/8" I.D. x .030
22	717-0766		Axle R.H. Ass'y.—Kit	54A	736-0337		Fl-Wash. 5/8" I.D. x .040
23	741-0340		Sleeve Bearing 3/4" I.D. x 1.0" Lg.	55	741-0343		Actuating Pin 5/16" Dia.
24	721-0179		Oil Seal 3/4" I.D.	56	710-0966		Hex Bolt 1/4-20 x 2.50" Lg. (Grade 5)
25	741-0339		Flange Bearing 3/4" I.D. x 15/16" Lg.	57	717-0767		Differential Gear 72T Ass'y. w/Bearing
26	736-0188		Fl-Wash. .760" I.D. x 1.49" O.D.	58	717-0681		Sq. Hd. Bolt 5/16-24 Thd.
27	717-0673		Cross Shaft	59	1544-013		Cotter Pin 3/32" Dia. x .50" Lg.
28	717-0777		Differential Housing Ass'y.				Grease—Shell (10 oz.)
29	—		Part of Ref. 28				
33	736-0188		Fl-Wash. .760" I.D. x 1.49" O.D.	—	737-0148		

**Ref. No. 15 736-0349 Fl-Wash. 5/8" I.D. x 1.0" O.D. x .020" Thk.
736-0336 Fl-Wash. 5/8" I.D. x 1.0" O.D. x .030" Thk.
736-0337 Fl-Wash. 5/8" I.D. x 1.0" O.D. x .040" Thk.

Models 510 thru 531 (Electric Start)

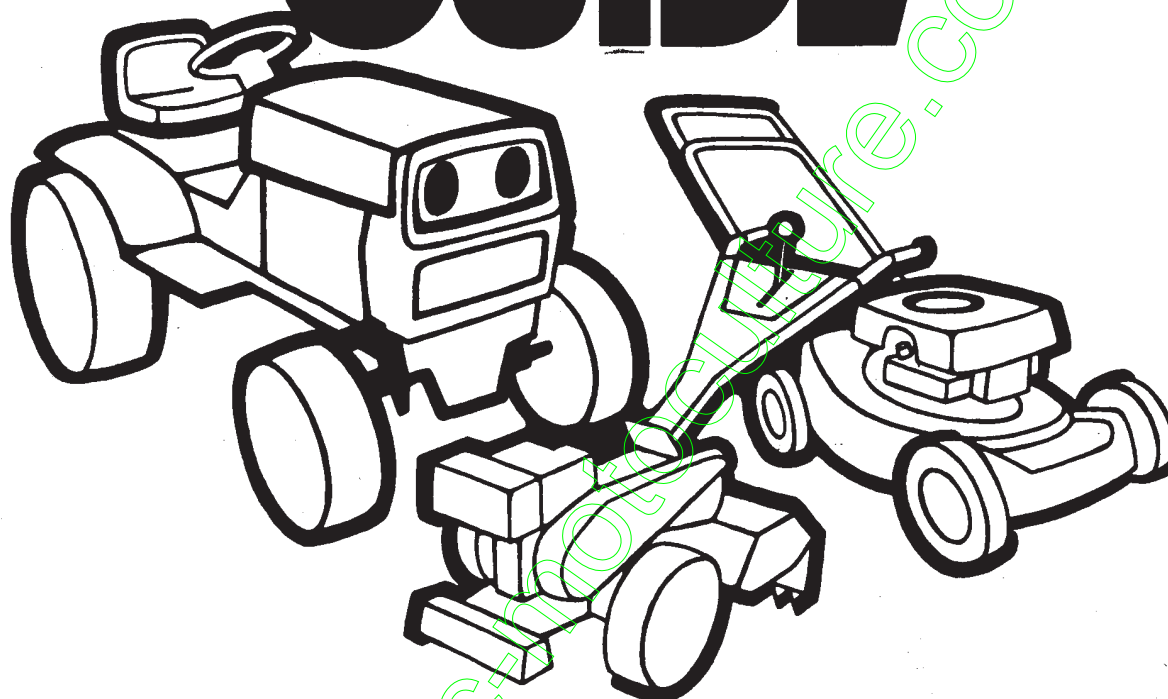


**PARTS LIST FOR ELECTRICAL SYSTEM
MODELS 510 THRU 531 RIDING MOWERS**

REF. NO.	PART NO.	CODE	DESCRIPTION
1	725-0977		Elec. Wire 8 Ga. x 9.0" Lg.
2	725-0424		Elec. Wire
3	732-0615	N	Spring Switch—Reverse
4	725-1431	N	Wire Harness
5	725-3169	N	Safety Switch
6	731-0757	N	Convuluted Tubing 29" Lg.
7	725-0201		Ignition Key
8	725-0267		Ignition Switch
9	725-0514A		Battery 12V
10	725-0927		Elec. Wire Red w/Boot
11	725-1426	N	Solenoid
13	725-0975		Elec. Wire 8 Ga. x 9.0" Lg.
14	725-1441	N	Seat Switch
15	725-1437	N	Adapter Harness
	725-1436	N	Adapter Harness (510, 511, 530, 531)
		N	Adapter Harness (521)

\$1.00

OWNER'S GUIDE



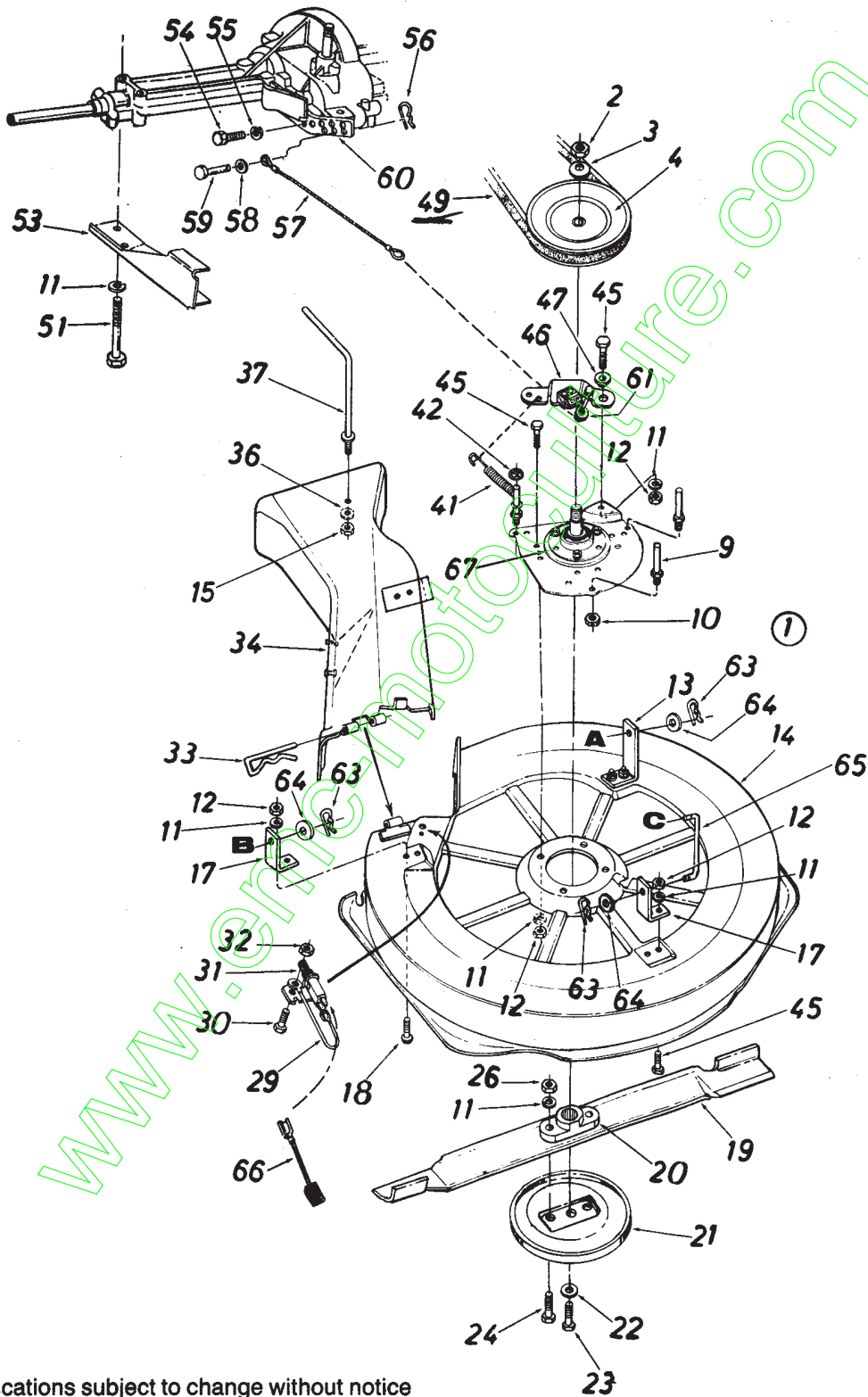
**30"
REAR
DISCHARGE
MOWING
DECK**

**Model Number
190-793-000
for
Model 500 Series
Rear Engine
Riding Mowers**

**IMPORTANT: Read Safety Rules and Instructions In
Lawn Tractor Owner's Guide Carefully.**

Model 793 Deck

30" Rear Discharge Mowing Deck Model 500 Series Rear Engine Riding Mowers



NOTE: Specifications subject to change without notice or obligation.

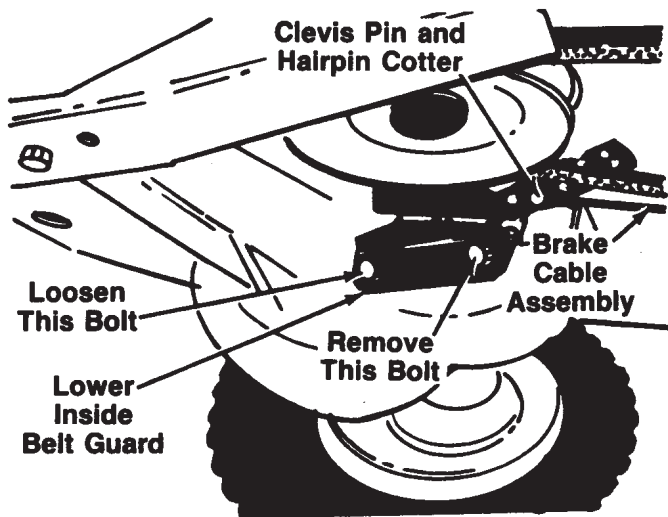


FIGURE 3.

- Loosen the second bolt (do not remove), then pivot the guard downward, and slip the deck belt off the engine pulley. See figures 3 and 4.

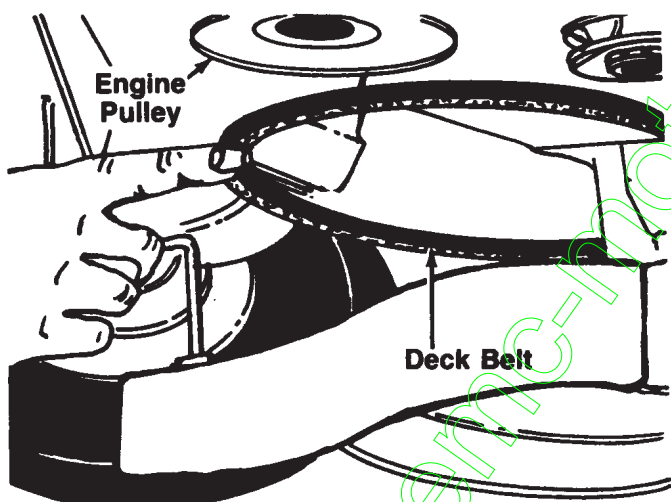


FIGURE 4.

- Remove the three hairpin cotters and flat washers which hold the deck links to the rider. Two are located at the rear of the deck. See figure 5. One is located at the front of the deck.
- Unplug the yellow wire from the chute safety switch. Then lift the deck off the rider. See figure 6.
- To reattach the deck, follow instructions in reverse order. Adjust the blade brake cable as instructed in the rider owner's manual.

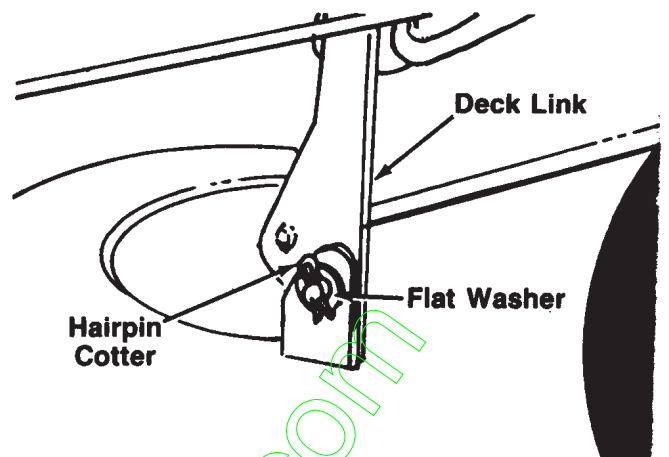


FIGURE 5.

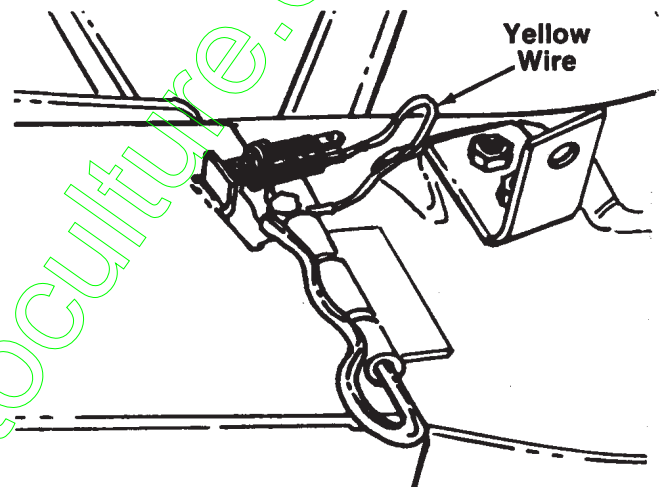


FIGURE 6.

DECK BELT REMOVAL

- Remove the deck from the riding mower described in previous section.
- Remove the three belt keeper studs on the deck. See figure 7.
- Remove and replace the deck drive belt.

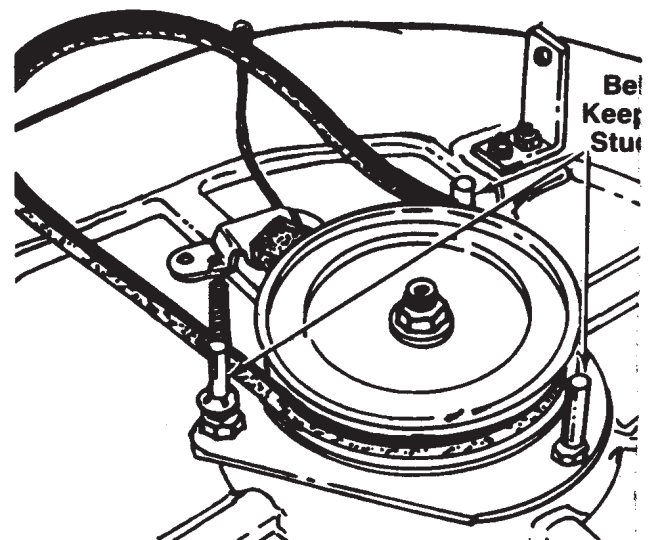


FIGURE 7.

Refer to the riding mower owner's manual for safe operation practices, and correct operation and maintenance instructions. Read instructions carefully.

PARTS LIST FOR 30" REAR DISCHARGE MOWING DECK

REF. NO.	PART NO.	CODE	DESCRIPTION	REF. NO.	PART NO.	CODE	DESCRIPTION
1	16760	N	30" R.D. Deck Ass'y. Comp. (Service Only)	33	714-0174		Internal Cotter Pin
2	712-0318		Hex Jam Nut 5/8-18 Thd.	34	16094		R.D. Chute Deflector
3	736-0317		Bell-Wash. .630" I.D. x 1.25"	36	736-0271		L-Wash. .32" I.D. x .62" O.D.
4	756-0430		5/8 V-Pulley .75" I.D. x .7"	37	747-0474		90° Rod 5/16-18 Thd.
9	711-0640		Stud 3/8-16 x 2.75" Lg.	41	732-0157		Extension Spring
10	712-0342		Hex Jam Nut 3/8-16 Thd.	42	726-0201		Push Speed Nut
11	736-0119		L-Wash. 5/16" I.D.*	45	710-0118		Hex Bolt 5/16-18 x .75"*
12	712-0267		Hex Nut 5/16-18 Thd.*	46	16053		Blade Brake Brkt. Ass'y.
13	16706		Hanger Brkt. 3.25"	47	748-0234		Shoulder Spacer .500" Dia.
14	15906		30" R.D. Deck Ass'y.	49	754-0264		"V"-Belt 1/2" x 52" Lg.
15	712-0158		Hex L-Nut 5/16-18 Thd.	51	710-0176		Hex Bolt 5/16-18 x 2.75"
17	16705		Hanger Brkt. 2.25"	53	15625B	N	Lower Outside Belt Guard
18	710-0323		Truss Mach. Scr. 5/16-18 x .75" Lg.*	54	710-0258		Hex Bolt 1/4-20 x .62" Lg.*
19	742-0280		30" High Lift Blade	55	736-0329		L-Wash. 1/4" I.D.*
20	748-0300		Blade Adapter	56	714-0104		Int. Cot. Pin 5/16" Dia.
21	07919		Scalp Plate (Optional)	57	727-0290		Brake Cable 11.75" Lg.
22	736-0169		L-Wash. 3/8" I.D.*	58	736-0142		FI-Wash. .281" I.D. x .50"
23	710-0152		Hex Bolt 3/8-24 x 1.0"	59	711-0701		Clevis Pin 1/4" Dia.
24	710-0888		Hex Bolt 5/16-24 x 1.0" Lg.	60	15626A	N	Lower Inside Belt Guard
26	712-0123		Hex Nut 5/16-24 Thd.*	61	726-0106		Cap Speed Nut 1/4" Rod
29	725-0765		Electrical Wire	63	714-0145		Int. Cotter Pin 1/2" Dia.
30	710-0289		Hex Bolt 1/4-20 x .50" Lg.*	64	736-0160		FI-Wash. .531" I.D. x .930"
31	725-0269		Safety Switch	65	747-0428		Deck Link 3.9" Lg.
32	712-0287		Hex Nut 1/4-20 Thd.*	66	725-1037		Wire Lead
				67	717-0916		Blade Spindle Ass'y. Comp.

REMOVING THE DECK

1. Disconnect the spark plug wire and ground it against the engine.
2. Move the blade engagement lever to the disengaged position.
3. Remove one hex bolt and lock washer at the front of lower outside belt guard. A 1/2" wrench is required. See figure 1.

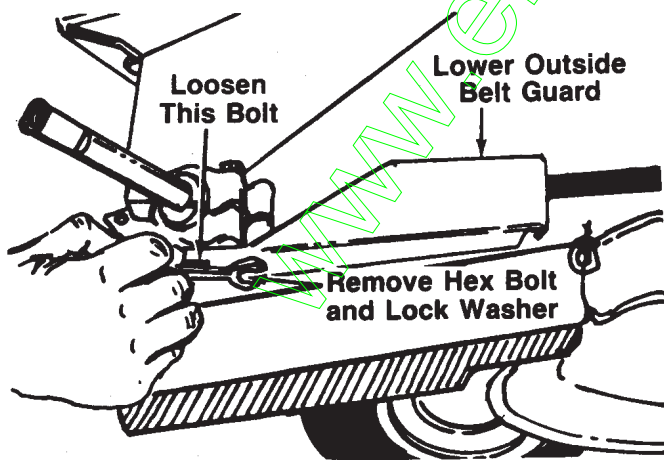


FIGURE 1.

4. Loosen (Do Not remove) the second bolt. See figure 1.

NOTE: Rear wheel was removed for clarity only. It is not necessary to remove the wheel when removing the deck.

5. Pivot the lower outside belt guard out and away from the engine pulley. See figure 2.

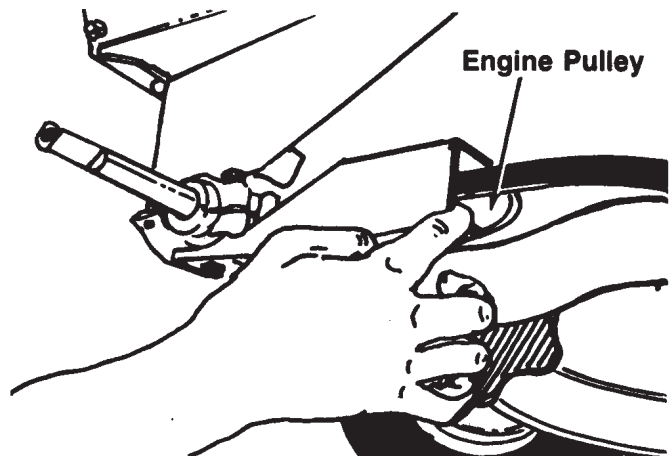


FIGURE 2.

6. Disconnect the brake cable from the lower inside belt guard by removing the hairpin cotter, clevis pin and flat washer. See figure 3.
7. Remove the front hex bolt from the lower inside belt guard as shown in figure 3.

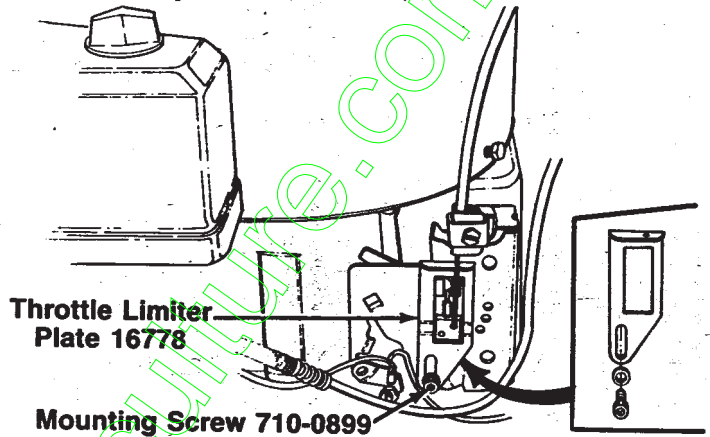
EEC

Supplement Sheet

CODE No. R-235
DATE January 28, 1988
SUBJECT 500 Series
Riding Mowers with 30" Rear
Discharge Decks for EEC Countries

This tractor has been modified to comply with EEC Directive 538. It comes with the following special parts which are different than those shown in the Owner's Guide:

Description	Part Number
Engine Pulley	756-0521
Throttle Limiter:	
Plate	16778
Screw #10-32 x .62" Lg.	710-0899
Washer .218" I.D. x .62" O.D.	736-0400
Muffler:	
8 h.p.	751-0462
30" Blade Disc Assembly (See Parts Breakdown Below)	16765

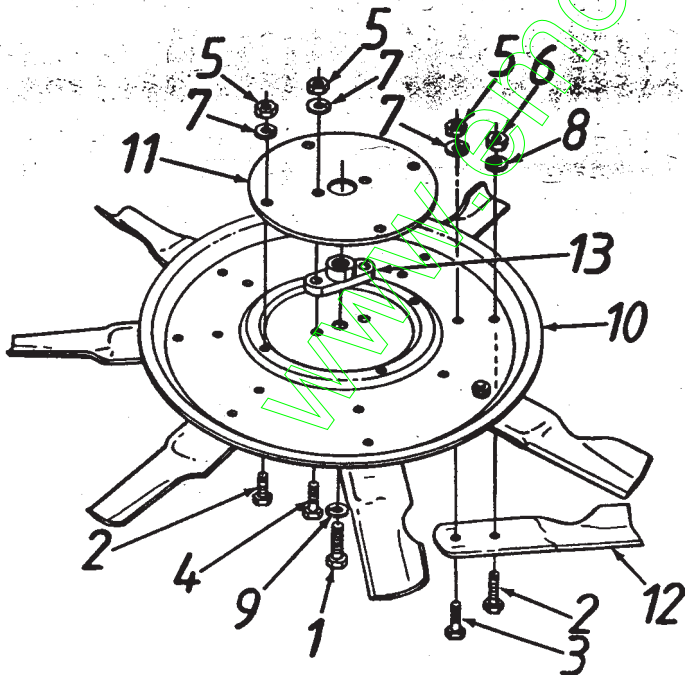


After an initial run-in period, the engine speed may need to be adjusted to compensate for alterations that take place during the run-in period. To comply with EEC Directive 538, the maximum allowable engine speed is 2800 rpm.

Engine speed may be adjusted as follows (see illustration below):

1. Locate throttle limiter on engine end of throttle cable.
2. Loosen mounting screw.
3. Slide plate down to decrease engine speed or up to increase engine speed.
4. Tighten screw.

Should you take up residence outside EEC, you may increase the throttle setting of your tractor as shown above to restore full design performance.



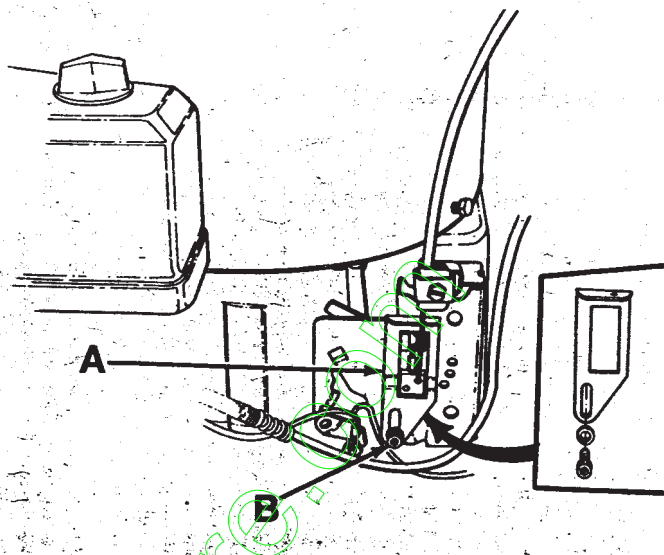
30" BLADE ASSEMBLY—PART NUMBER 16765

Ref. No.	Part No.	Description
1	710-0152	Hex Bolt 3/8-24 x 1" Lg.
2	710-0237	Hex Bolt 5/16-24 x .62" Lg.
3	710-0289	Hex Bolt 1/4-20 x .5" Lg.
4	710-0888	Hex Bolt 5/16-24 x 1" Lg.
5	712-0123	Hex Nut 5/16-24 Thd.
6	712-0287	Hex Nut 1/4-20 Thd.
7	736-0119	L-Wash. 5/16" I.D.
8	736-0329	L-Wash. 1/4" I.D.
9	736-0356	Bell-Wash. .39" I.D.
10	742-0318	30" Blade Disc
11	742-0494	Disc Stiffener
12	742-0495	30" Blade
13	748-0300	Blade Adapter

FORM NO. 770-6532C

Ce tracteur a été modifié pour être conforme à la directive 538 de la CEE. Les pièces suivantes sont différentes de celles mentionnées dans le manuel:

Description	Référence
poulie moteur	756-0521
limiteur de gaz:	
plaque	16778
vis	710-0899
rondelle	736-0400
pot d'échappement:	
8 HP	751-0462
lame 30"	16765

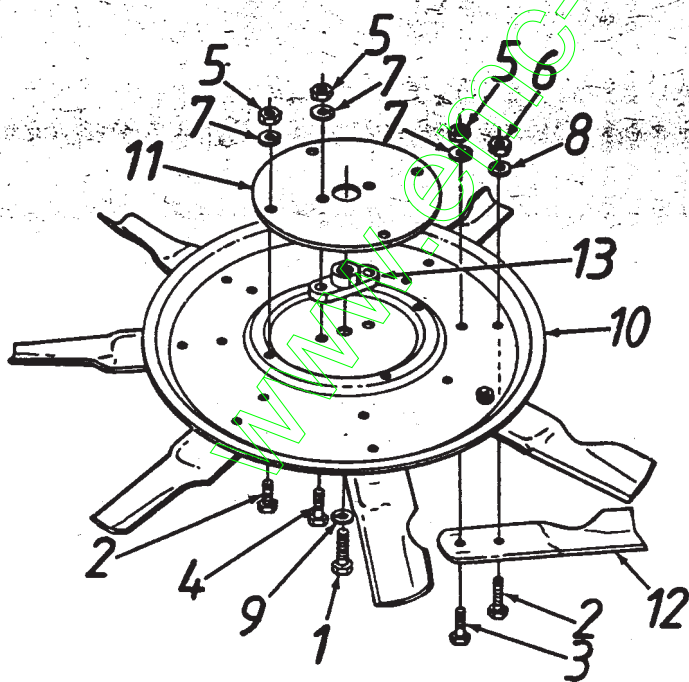


Après une courte période de rodage il faudra peut-être régler de nouveau le régime moteur pour compenser les modifications se produisant pendant le rodage. Pour se conformer à la directive No 538 de la CEE le régime moteur maximal admissible est 2800 rpm (t/m).

Vous pouvez régler la vitesse comme suite:

1. Localisez le limiteur de gaz du côté moteur du câble de gaz (ref A).
2. Dévisser la vis de fixation (ref B).
3. Faites glisser le support vers le bas pour diminuer la vitesse, vers le haut pour l'augmenter.
4. Reservez la vis (ref B).

Si vous déménagez pour habiter hors de la CEE, vous pouvez augmenter le réglage de gaz de votre autoportée en agissant sur la vis de réglage d'accélération et ainsi redonner à votre autoportée toute la puissance avec laquelle elle a été conçue.



	Référence	Description
1	710-0152	Boulon
2	710-0237	Boulon
3	710-0289	Boulon
4	710-0888	Boulon
5	712-0123	Ecrou
6	712-0287	Ecrou
7	736-0119	Rondelle
8	736-0329	Rondelle
9	736-0356	Rondelle
10	742-0318	Disque - 30"
11	742-0494	Fortifiant du 'disque
12	742-0495	Lame
13	748-0300	Adapteur