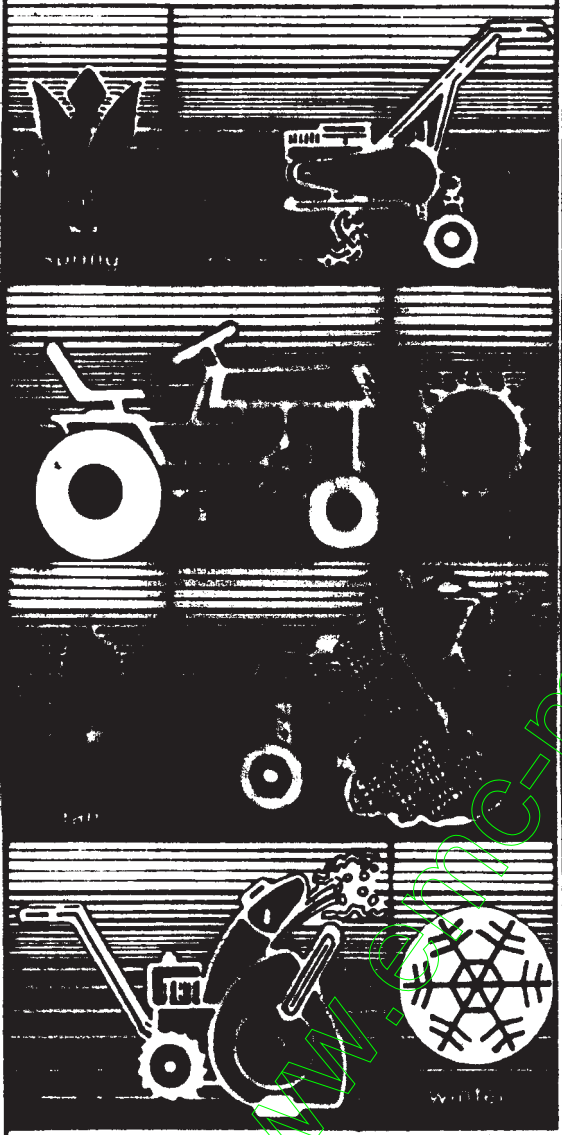


# OWNER'S GUIDE

OUTDOOR POWER EQUIPMENT  
for all seasons



## 26" RIDING MOWER

### Model Numbers

135-526-000

135-528-000

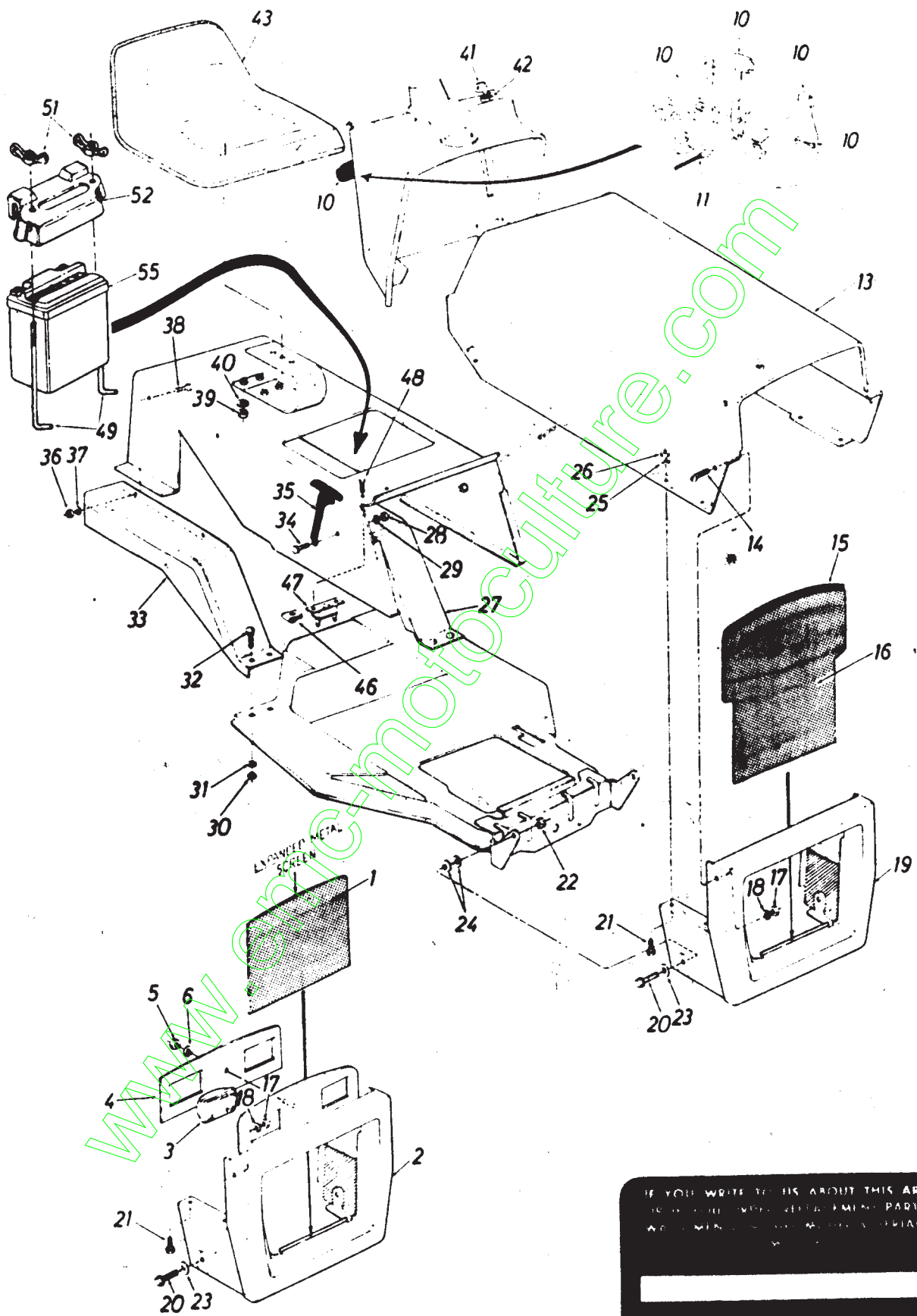
135-529-000

### Important:

Read Safety Rules and  
Instructions Carefully

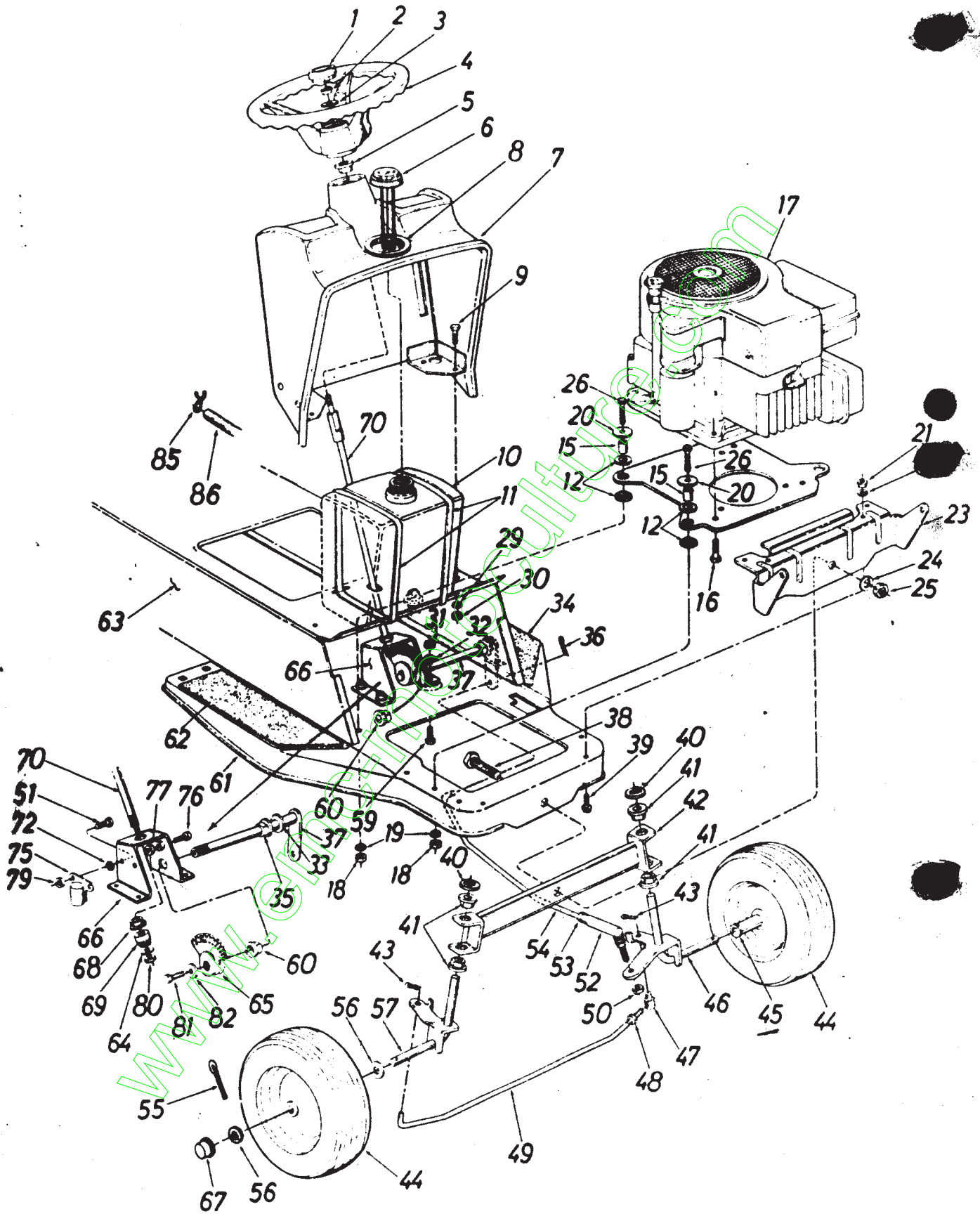
Thank you for purchasing  
an American-built product.

# Models 526, 528 and 529



IF YOU WRITE TO US ABOUT THIS ARTICLE  
WE WILL SEND YOU THE PARTS AT  
NO CHARGE TO OUR READER'S SERVICE DEPT.

# Models 526, 528 and 529



# Models 526, 528 and 529

## PARTS LIST FOR MODELS 526, 528 AND 529 RIDING MOWERS

REF. NO.	PART NO.	COLOR CODE	DESCRIPTION	NEW PART	REF. NO.	PART NO.	COLOR CODE	DESCRIPTION	NEW PART
1	12903		Screen—Grille (528 & 529)		27	12715	—462	Fender Ass'y. L.H.	
2	12901	—462	Grille Ass'y. (528 & 529)		28	712-0287		Hex Nut 1/4-20 Thd.*	
3	725-0417		Head Light (528 & 529)		29	736-0329		L-Wash. 1/4" Scr.*	
4	10795		Head Light Retainer (528 & 529)		30	712-0287		Hex Nut 1/4-20 Thd.*	
					31	736-0329		L-Wash. 1/4" Scr.*	
5	712-0121		Hex Nut #10-24 Thd.		32	710-0134		Carriage Bolt 1/4-20 x .62" Lg.*	
6	736-0722		L-Wash. #10 I.D.						
10	831-0692		Throttle Control Box Ass'y.		33	12712	—462	Fender Ass'y. R.H.	
11	746-0500		Throttle Control Wire		34	710-0258		Hex Scr. 1/4-20 x .62" Lg.*	
13	12451	—462	Hood—Front		35	723-0296		Hood Lock Ass'y.	
14	710-0286		Truss Hd. Mach. Scr. 1/4-20 x .50" Lg.*		36	712-0121		Hex Nut 10-24 Thd.*	
					37	736-0147		Wash. #10 Scr. Ext.*	
15	731-0130		Extruded "U"-Channel 22.50" Lg. (526)		38	710-0425		Truss Hd. Mach. Scr. 10-24 x .62" Lg.*	
16	12475		Screen—Grille (526)		39	712-0206		Hex Nut 1/2-13 Thd.*	
17	712-0287		Hex Nut 1/4-20 Thd.*		40	736-0921		L-Wash. 1/2" Scr.*	
18	736-0329		L-Wash. 1/4" Scr.*		41	725-0201		Ignition Key	
19	12456	—462	Grille Ass'y. (526)		42	725-0267		Ignition Switch	
20	710-0253		Hex Scr. 3/8-16 x 1.00" Lg.*		43	757-0264		Seat Ass'y.—Comp.	
21	710-0211		Hex Sems Scr. 1/4-20 x .75" Lg.*		46	726-0156		Speed Nut 10-24	
					47	725-0459		Circuit Breaker	
22	712-0375		Hex Cent. L-Nut 3/8-16 Thd.		48	710-0425		Truss Hd. Mach. Scr. #10-14 x .62" Lg.*	
23	736-0140		Fl-Wash. .385 I.D. x .620 O.D. x .063		49	711-0222		Hold-Down Rod	
					51	712-0113		Wing Nut 1/4-20 Thd.	
24	736-0105		Bell-Wash. .400 I.D. x .88 O.D.		52	731-0708		Battery Cover	
25	736-0329		L-Wash. 1/4" Scr.*		55	725-0514		12V Battery	
28	712-0287		Hex Nut 1/4-20 Thd.*						

(462—Red FlaRe)

\*For faster service obtain standard nuts, bolts and washers locally. If these items cannot be obtained locally, order by part number and size as shown on parts list.

When ordering parts, if color or finish is important use the appropriate color code shown above. (e.g. Red Flake Finish—12600 (462).)

NOTE: The engine is not under warranty by the mower manufacturer... If repairs or service is needed on the engine, please contact your nearest authorized engine service outlet. Check the "Yellow Pages" of your telephone book under "Engines—Gasoline."

Find It Fast  
In The  
Yellow Pages



NOTE

This instruction manual covers various models and all specifications shown do not necessarily apply to your model. Specifications subject to change without notice or obligation.



# Models 526, 528 and 529

## PARTS LIST FOR MODELS 526, 528 AND 529 RIDING MOWERS

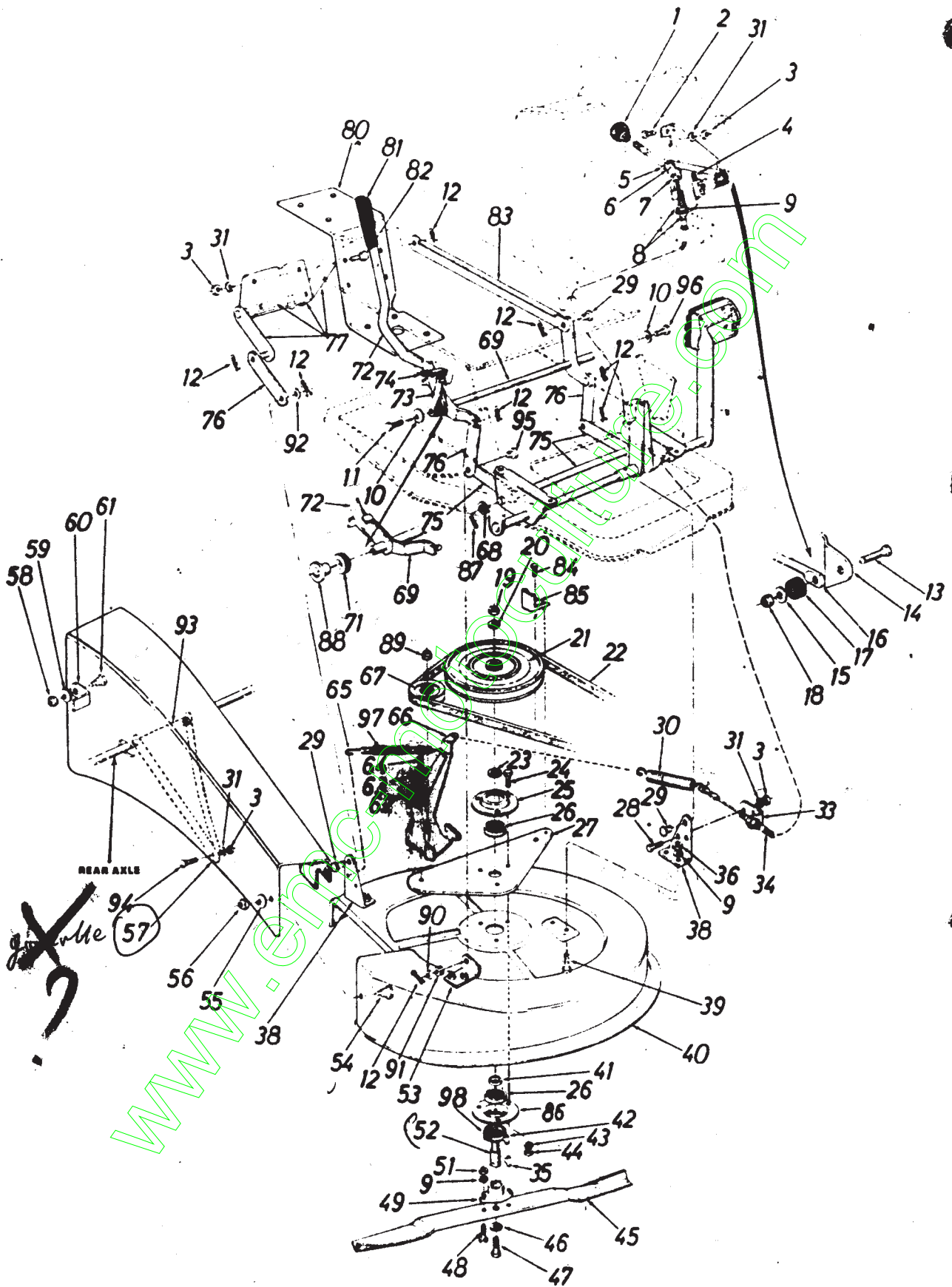
PART NO.	COLOR CODE	DESCRIPTION	NEW PART	REF. NO.	PART NO.	COLOR CODE	DESCRIPTION	NEW PART
731-0220		Steering Wheel Cap		42	13274	-462	Pivot Bar Ass'y.	
712-0158		Hex Cent. L-Nut 5/16-18 Thd.		43	714-0474		Cotter Pin 1/8" Dia. x .75" Lg.*	
736-0242		Bell-Wash. .345 I.D. x .88 O.D.		44	**		Front Wheel Ass'y.— (See Chart Below)	
731-0219		Steering Wheel		45	741-0313		Flange Bearing	
741-0225		Hex Flange Bushing .63" I.D.		46	12491	-462	Front Axle Ass'y.—L.H.	
723-0333		Fuel Gauge—Cap		47	711-0198		Pivot Bushing	
15942		Dash Panel Ass'y. (526)		48	712-0711		Hex Jam Nut 3/8-24 Thd.*	
15941		Dash Panel Ass'y. (528 & 529)		49	747-0144		Tie Rod	
735-0179		Rubber Grommet (Fuel Tank Neck)		50	712-0116		Hex Ins. L-Nut 3/8-24 Thd.	
710-0211		Hex Sems Scr. 1/4-20 x .75" Lg.*		51	710-0289		Hex Scr. 1/4-20 x .50" Lg.*	
751-0172		Fuel Tank		52	723-0156		Ball Joint Ass'y.	
726-0209		Cable Tie (Fuel Tank)		53	712-0711		Hex Jam Nut 3/8-24 Thd.*	
722-0153		Engine Mounting Grommet		54	747-0158		Drag Link	
720-0539		Spacer		55	714-0470		Cotter Pin 1/8" Dia. x 1.25" Lg.*	
710-0502		Hex Wash. Hd. Self-Tap Screw 3/8-16 x 1.25" Lg. Engine		56	736-0156		FI-Wash. .630 I.D. x 1.120 O.D. x .100	
712-0123		Hex Nut 5/16-24 Thd.*		57	12492	-462	Front Axle Ass'y.—R.H.	
712-0119		L-Wash. 5/16" Scr.*		59	710-0198		Hex Sems Scr. 5/16-18 x .75" Lg.*	
712-0231		FI-Wash. .34" I.D. x 1.12" O.D. x .125		60	741-0199		Flange Brg. w/Flats	
712-0267		Hex Nut 5/16-18 Thd.*		61	12600	-462	Front Frame Ass'y.	
712-0119		L-Wash. 5/16" Scr.*		62	723-0306		Foot Pad—R.H.	
712-0158		Front Pivot Bracket		63	12450	-462	Rear Frame	
712-0158	-462	L-Wash. 5/8" Scr.*		64	736-0264		FI-Wash. 5/16" Scr.	
712-0023		Hex Cent. L-Nut 5/8-18 Thd.		65	748-0236		Side Gear	
712-0158		Hex Scr. 5/16-24 x 1.25 H.T.		66	12851		Steering Gear Support Ass'y.	
712-0329		Engine Base Plate		67	731-0484		Hub Cap	
712-0287		L-Wash. 1/4" Scr.*		68	741-0226		Hex Flange Bushing .50" I.D.	
712-0287		Hex Nut 1/4-20 Thd.*		69	748-0237		Pinion Gear	
712-0119		Hex Nut 5/16-18 Thd.*		70	738-0325		Steering Shaft	
712-0134		L-Wash. 5/16" Scr.*		72	736-0222		Ext. L-Wash. 1/4" Scr.*	
712-0307		FI-Wash. .812 I.D. x 1.38 O.D. x .100		75	725-0771		Solenoid	
741-0199		Foot Pad—L.H.		76	710-0670		Hex Scr. Nylon 3/8-16 x 1.25" Lg.	
714-0507		Flange Brg. w/Flats		77	712-0375		Hex Cent. L-Nut 3/8-16 Thd.	
12815		Cotter Pin 3/32" Dia. x .75" Lg.*		79	712-0287		Hex Nut 1/4-20 Thd.*	
710-0622		Steering Arm Ass'y.		80	712-0237		Hex Cent. L-Nut 5/16-24 Thd.	
710-0198		Hex Scr. 5/8-18 x 1.62" Lg.		81	710-0180		Hex Scr. 3/8-24 x .75" Lg.*	
		Hex Sems Scr. 5/16-18 x .75" Lg.*		82	736-0105		Bell-Wash.	
		Push Nut		85	726-0207		Hose Clamps (2 Required)	
726-0159		Hex Flange Bushing .62" I.D.		86	751-0173		Fuel Line 13" Lg.	

\*Front Wheel Available

Front Wheel	Pneumatic	Semi-Pneumatic
Assembly Comp.	734-1184	734-0949
Tire Only	734-1185	—
Rim Only	734-1183	—
Grease Fitting	737-0146	737-0146

\*For faster service obtain standard nuts, bolts and washers locally. If these items cannot be obtained locally, order by part number and size as shown on parts list.

# Models 526, 528 and 529



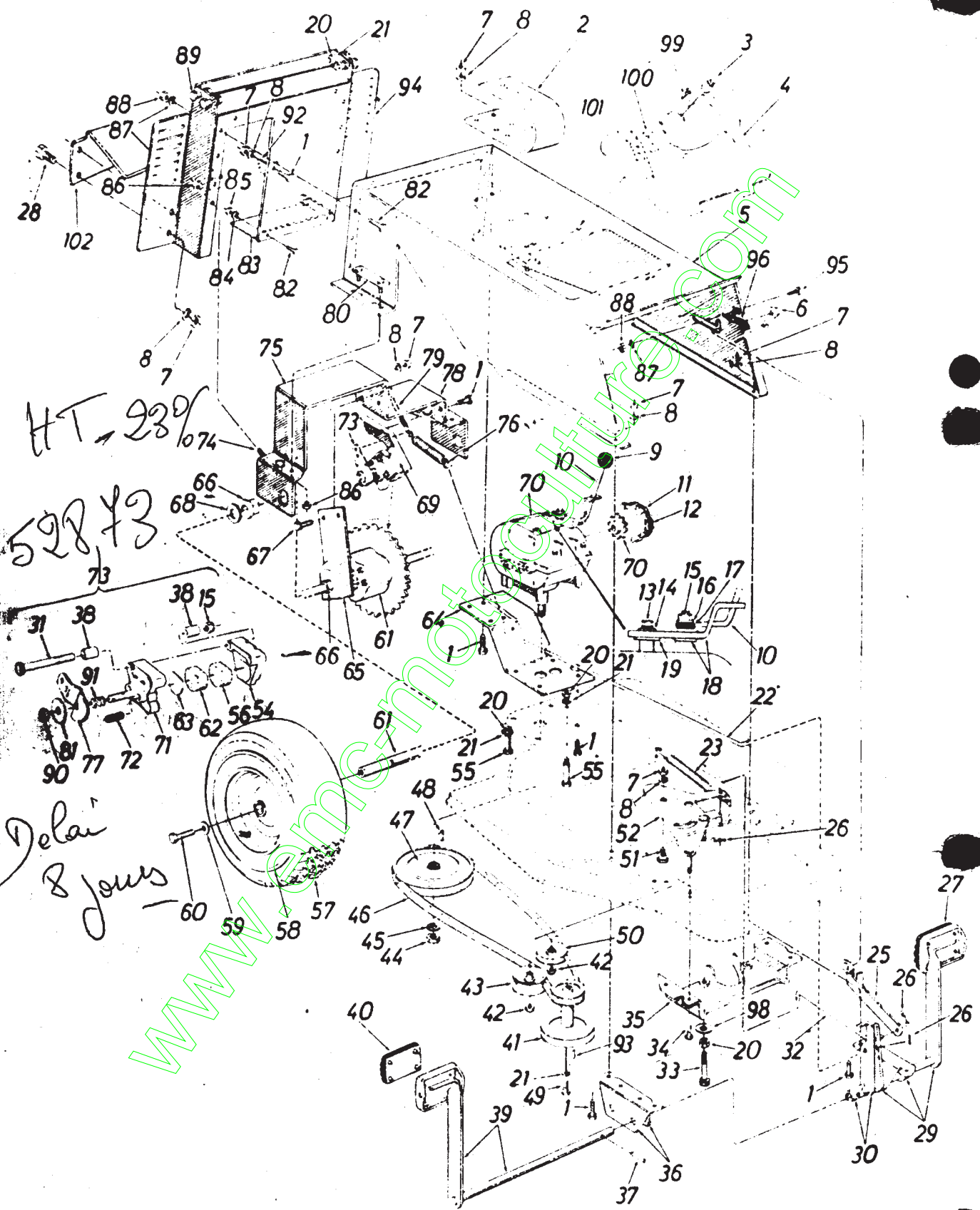
# Models 526, 528 and 529

## PARTS LIST FOR MODELS 526, 528 AND 529 RIDING MOWERS

	PART NO.	COLOR CODE	DESCRIPTION	NEW PART	REF. NO.	PART NO.	COLOR CODE	DESCRIPTION	NEW PART
1	720-0165		Ball Knob		49	10769		Blade Adapter Kit	
2	710-0286		Truss Mach. Scr. 1/4-20 x .50" Lg.*		51	712-0123		Hex Nut 5/16-24 Thd.*	
3	712-0287		Hex Nut 1/4-20 Thd.*		52	738-0292		Blade Spindle	
4	725-0465		Safety Switch (Blade Clutch)		53	12532		Deck Bracket (Chute)	
5	710-0282		Weld Pin .250 Dia. x .62" Lg.		54	738-0183		Shld. Scr. .500 Dia. x .170 Lg.	
6	726-0106		Push Cap .250 Dia.		55	736-0140		Fl-Wash. .385 I.D. x .88 O.D.	
7	761-0145		Clevis		56	712-0375		Hex Cent. L-Nut 3/8-16 Thd.	
8	712-0256		Hex Jam Nut 5/16-24 Thd.*		57	12464	452	Chute Ass'y	
9	736-0119		L-Wash. 5/16" Scr.*		58	712-0429		Hex Ins. L-Nut 5/16-18 Thd.	
10	736-0219		Bell-Wash. .400 I.D. x 1.110 O.D.		59	736-0242		Bell. Wash. .345 I.D. x .88 O.D.	
11	710-0502		Hex Wash. Hd. Self-Tap Scr. 3/8-16 x 1.25" Lg.		60	12541		Chute Pivot Brkt.	
12	714-0101		Internal Cot-Pin 1/2" Dia.		61	738-0140		Shld. Scr. .437 I.D. x .180" Lg.	
13	710-0106		Hex Scr. 1/4-20 x 1.25" Lg.*		62	750-0258		Spacer .315 I.D. x .75 O.D. x .370 Lg.	
14	12476		Deck Clutch Control Brkt.		63	736-0231		Fl-Wash. .344 I.D. x 1.12 O.D. x .12	
15	736-0173		Fl-Wash. .280 I.D. x .750 O.D. x .063		64	710-0376		Hex Scr. 5/16-18 x 1.00" Lg.	
16	747-0157		Blade Clutch Lever		65	732-0308		Extension Spring	
17	735-0165		Rubber Washer		66	12469		Deck Idler Brkt. Ass'y.	
18	712-0107		Hex Cent. L-Nut 1/4-20 Thd.		67	756-0116		V-Idler Pulley	
19	712-0261		Hex Nut 5/8-11 Thd.*		68	736-0116		Fl-Wash. .630 I.D. x .930 O.D. x .060	
20	736-0158		L-Wash. 5/8" Scr.*		69	12472		Lift Handle Shaft Ass'y.	
21	756-0143		Deck Pulley		71	731-0180		Rubber Wash.	
22	754-0195		"V"-Belt "A" or 1/2" x 54" Lg.		72	749-0174		Lift Handle	
23	748-0168		Spacer		73	12479		Lift Handle Stop	
24	710-0322		Hex Sems Scr. 5/16-18 x 1.00" Lg.*		74	11249		Height Adj. Knob	
25	08253		Bearing Housing		75	12477		Lift Arm Shaft Ass'y.	
26	741-0919		Ball Brg. .787 I.D. x 1.850 O.D.		76	10317		Deck Link	
27	12453		Deck Belt Guard Plate		77	12502		Lift Pivot Brkt. Ass'y.	
28	710-0211		Hex Sems Scr. 1/4-20 x .75" Lg.*		80	12853		Seat Support Ass'y.	
29	711-0332		Lift Brkt. Pin Special		81	720-0157		Grip	
30	732-0180		Extension Spring .88 O.D. x 4.0" Lg.		82	710-0597		Hex Sems Scr. 1/4-20 x 1.00" Lg.*	
31	736-0329		L-Wash. 1/4" Scr.*		83	12495		Connecting Link	
32	12509		Cable Bracket		84	710-0627		Hex Wash. Hd. Self-Tap Scr. 5/16-24 x .75" Lg.	
33	746-0253		Clutch Control Cable 26.88" Lg.		85	10426		Belt Keeper Ass'y.	
34	714-0365		#6 Hi-Pro Key 5/32 x 5/8" Dia.		86	15296		Open Bearing Hsg.	
35	712-0267		Hex Nut 5/16-18 Thd.*		87	714-0507		Cotter Pin 3/32" Dia. x .75"	
36	12531		Deck Bracket		88	748-0176		Flange Brg. .62 I.D. x .67 O.D. x .63" Lg.	
37	710-0451		Carriage Bolt 5/16-18 x .75"*		89	712-0116		Hex Ins. L-Nut 3/8-24 Thd.	
38	12455	452	26" Deck—Rear Discharge		90	736-0160		Fl-Wash. .530 I.D. x .940 O.D. x .050	
39	750-0142		Spacer .836 I.D. x 1.01 O.D. x .320 Lg.		91	735-0185		Rubber Wash. .531 I.D. x 1.00 O.D. x .120	
40	714-0388		#61 Hi-Pro Key 3/16 x 5/8" Dia.		92	736-0192		Fl-Wash. .531 I.D. x .93 O.D. x .090	
41	736-0119		L-Wash. 5/16" Scr.*		93	12852		Chute Baffle	
42	712-0267		Hex Nut 5/16-18 Thd.*		94	710-0167		Carriage Bolt 1/4-20 x .50"*	
43	742-0255		26" Blade		95	711-0310		Clevis Pin .500	
44	736-0217		L-Wash. 3/8" Scr. H.D.		96	710-0413		Self-Tap Scr. 3/16-16 x 1.0" Lg.	
45	710-0459		Hex Scr. 3/8-24 x 1.50" Lg. H.T.		97	731-0339		Shrink Tube	
46	710-0888		Hex Scr. 5/16-24 x 1.00" Lg. H.T.—Special		98	13703		Bearing Shield	
47						12550		26" Deck Ass'y. Comp. (For Service Only)	



# Models 526, 528 and 529





# Models 526, 528 and 529

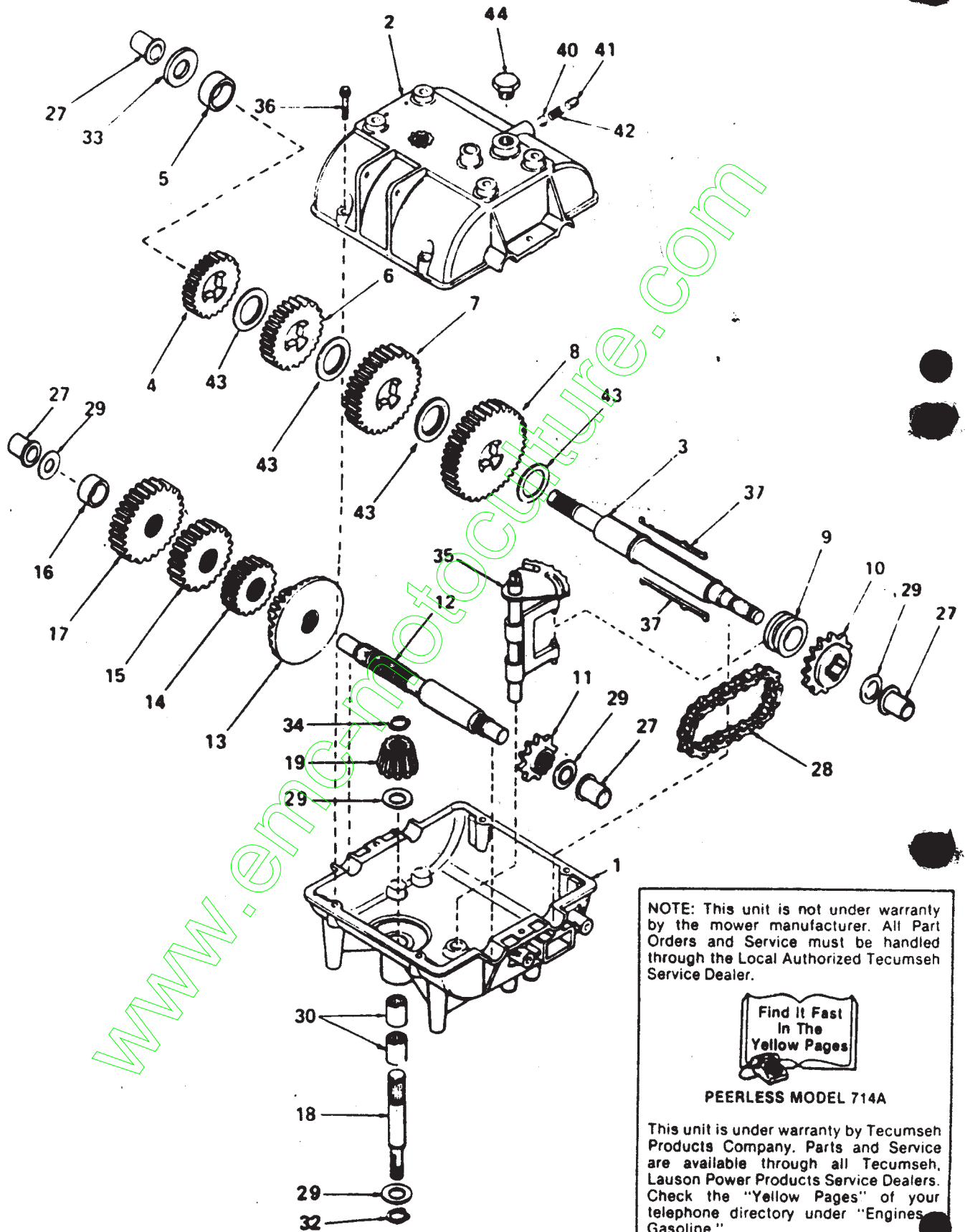
## PARTS LIST FOR MODELS 526, 528 AND 529 RIDING MOWERS

	PART NO.	COLOR CODE	DESCRIPTION	NEW PART	REF. NO.	PART NO.	COLOR CODE	DESCRIPTION	NEW PART
1	710-0198		Hex Sems Scr. 5/16-18 x .75" Lg.*		52	12484		Idler Brkt. Ass'y.	
2	732-0256		Seat Spring 3.25" High		54	HH-12-03293		Casting—Carrier	
3	726-0151		Fastener (Self Ret. 1/4 Turn)		55	738-0129		Shld. Scr. .498" Dia. x 2.00"	
4	12471	-462	Rear Frame Cover		56	HH-15-03149		Pad—Friction	
5	12450	-462	Rear Frame		57	734-0715		Rear Wheel Ass'y.—Comp. <i>Power complete</i>	
6	726-0121		Push Cap .25" Dia.—Black			<del>734-0714</del>		Tire Only 14.5 x 4.5 <i>Pneumatic</i>	
7	712-0267		Hex Nut 5/16-18 Thd.*		58	734-0517		Rear Wheel Rim Only	
8	736-0119		L-Wash. 5/16" Scr.*		59	736-0242		Bell. Wash. .345 I.D. x .88	
9	720-0165		Ball Knob		60	710-0627		Hex Cent. Lock Scr. 5/16-24 x 75" Lg. H.T.	
10	11545		Shift Lever—Transmission						
11	713-0189		#420 Chain 1/2" Pitch x 77 Links		61	717-0319		Differential Ass'y. Comp.	
12	713-0154		#420 Master Link		62	HH-15-02124		Pad—Friction	
13	710-0513		Hex Scr. 1/4-28 x .62" Lg. (Lock)		63	HH-03-0 3303		Disc—Back-Up	
14	736-0270		Bell. Wash. .25" I.D. x .88 O.D. x .062		64	12853		Seat Support Ass'y.	
15	712-0158		Hex Cent. L-Nut 5/16-18 Thd.		65	12508		Rear Axle Plate	
16	736-0159		Fl-Wash. .344 I.D. x .88 O.D.		66	741-0199		Flange Brg. w/Flats .753 I.D.	
17	735-0126		Rubber Wash. .33 I.D. x .87		67	710-0322		Hex Sems Scr. 5/16-18 x 1.00" Lg.*	
18	11548		Shift Lever Brkt. Ass'y.		68	736-0134		Fl-Wash. .812 I.D. x 1.38" O.D. x .100	
19	717-0234		Hardened Wash. 1.00 O.D. (Special)		69	12482		Disc Brake Brkt. Ass'y.	
20	712-0798		Hex Nut 3/8-16 Thd.*		70			Transmission (Five Speed)	
21	736-0169		L-Wash. 3/8" Scr.*		71	HH-12-03292		Casting—Cam	
22	747-0155		Brake Rod		72	HH-05-03034		Push Pin	
23	732-0233		Extension Spring		73	761-0130		Disc Brake Ass'y.—Comp.	
24	16023		Clutch Lockout Ass'y.		74	710-0437		Chain Adj. Link 5/16-18 x 4.38" Lg.	
25	714-0507		Cotter Pin 3/32" Dia. x .75"		75	12460		Rear Axle Brkt.—R.H.	
26	12379		Clutch Pedal Pad		76	732-0245		Brake Spring	
27	710-0118		Hex Bolt 5/16-18 x .75" Lg.*		77	HH-18-03493		Cam Lever	
28	12539		Clutch Pedal & Brkt. Ass'y.		78	12459		Rear Axle Brkt.—L.H.	
29	12486		Brake Lever Ass'y.		79	732-0157		Brake Return Spring	
30	710-0378		Hex Scr. 5/16-18 x 2.50" Lg.		80	10360		Plate Ass'y: Axle Bolt	
31	747-0156		Clutch Rod		81	HH-03-03032		Washer	
32	710-0316		Hex Scr. 3/8-16 x 3.5" Lg.		82	710-0425		Truss Hd. Mach. Scr. 10-24 x .62" Lg.	
33	710-0211		Hex Sems Scr. 1/4-20 x .75"		83	12537		Baffle Plate	
34	12488		Engine Belt Guard Ass'y.		84	736-0147		Ext. L-Wash.	
35	12534		Pedal "U" Brkt.—R.H.		85	712-0121		Hex Nut 10-24 Thd.*	
36	715-0114		Spring Pin Spiral .25" Dia. x 1.50" Lg.		86	712-0429		Hex Ins. L-Nut 5/16-18 Thd.	
37	761-0133		Bushing		87	736-0329		L-Wash. 1/4" Scr.*	
38	12543		Brake Pedal Shaft Ass'y.		88	712-0287		Hex Nut 1/4-20 Thd.*	
39	12378		Brake Pedal Pad		89	738-0143		Shld. Scr. .498 Dia. x .330	
40	756-0436		Two-Step Engine Pulley		90	712-0134		Hex Top L-Nut	
41	712-0116		Hex Ins. L-Nut 3/8-24 Thd.		91	HH-06-03031		Spring	
42	756-0217		Fl-Idler w/Flanges 2.75" Dia.		92	12541		Chute Pivot Brkt.	
43	712-0922		Hex Jam Nut 1/2-20 Thd.*		93	714-0365		#6 Hi-Pro Key 5/32 x 5/8" Dia.	
44	736-0921		L-Wash. 1/2" Scr.*		94	12544	-452	Grass Catcher Adapter	
45	754-0198		"V"-Belt 1/2" x 62" Lg. (Drive)		95	710-0289		Hex Scr. 1/4-20 x .50" Lg.*	
46	756-0174		Transmission Split Pulley .50" I.D.		96	725-0577		Safety Switch	
47	714-0129		#4 Hi-Pro Key 3/32 x 5/8" Dia.		98	736-0219		Belleville Washer	
48	710-0696		Hex Scr. 3/8-24 x .75" Lg.*		99	710-0227		Hex Wash. Hd. Scr. #8 x .50"	
49	756-0116		"V"-Idler		100	726-0222		Insulator Nut Plate	
50	738-0140		Shld. Scr. .437" Dia. x .180		101	725-0759		Spring Switch	
51					102	15734		Rear Chute Baffle	

# Models 526, 528 and 529

TRANSMISSION MODEL NO. PEERLESS 714A

Ref 794201



NOTE: This unit is not under warranty by the mower manufacturer. All Part Orders and Service must be handled through the Local Authorized Tecumseh Service Dealer.



PEERLESS MODEL 714A

This unit is under warranty by Tecumseh Products Company. Parts and Service are available through all Tecumseh, Lauson Power Products Service Dealers. Check the "Yellow Pages" of your telephone directory under "Engines Gasoline."

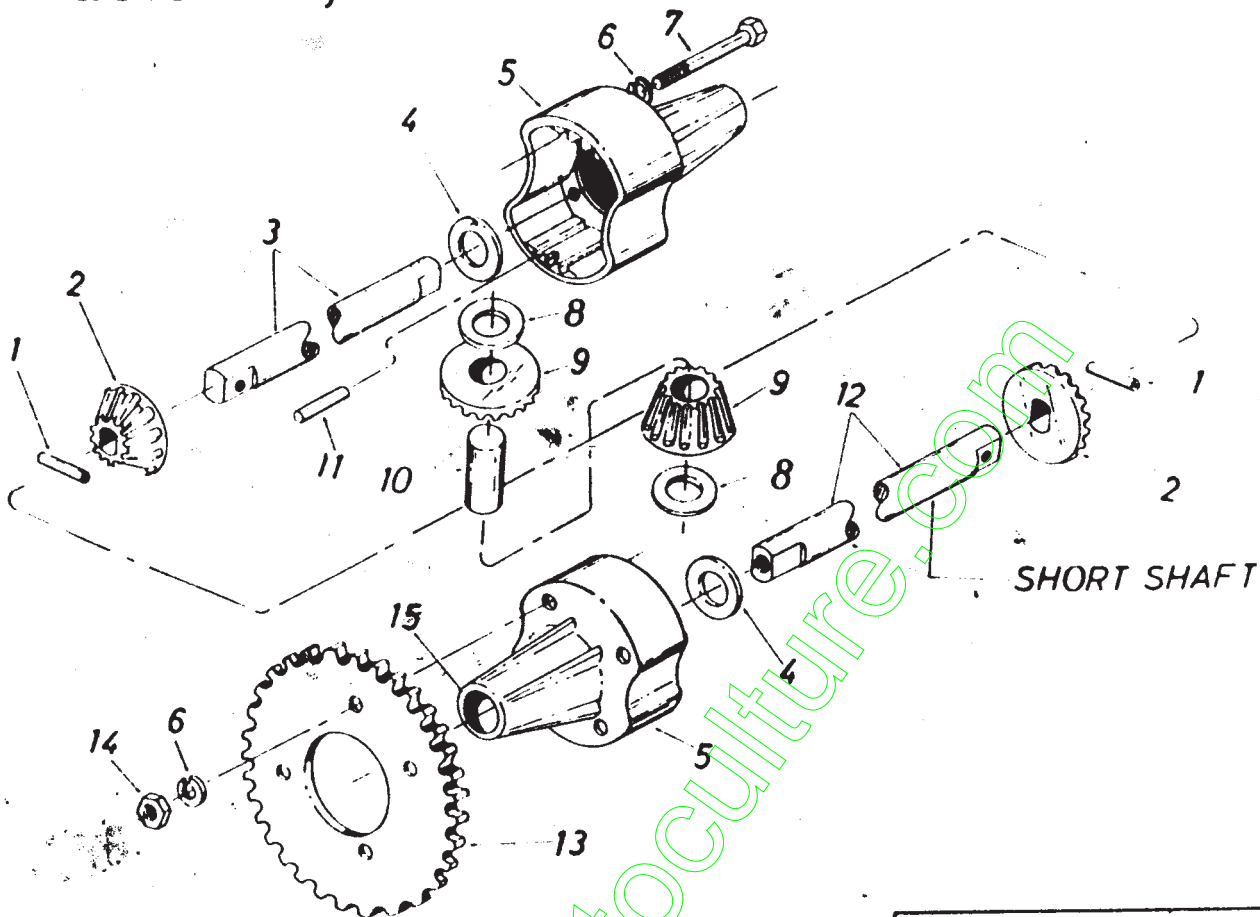
# Models 526, 528 and 529

## PARTS LIST FOR PEERLESS MODEL 714A TRANSMISSION

REF. NO.	PART NO.	DESCRIPTION
1	PE-770061	Case, Transmission
2	PE-772070	Cover, Transmission
3	PE-776166	Shaft, Output
4	PE-778121	Gear, Spur (20 Teeth)
5	PE-778122	Gear, Spur (22 Teeth)
6	PE-778123	Gear, Spur (25 Teeth)
7	PE-778124	Gear, Spur (30 Teeth)
8	PE-778125	Gear, Spur (35 Teeth)
9	PE-784266	Collar, Shift
10	PE-786083	Sprocket (18 Teeth)
11	PE-786082	Sprocket (9 Teeth)
12	PE-776134	Shaft, Counter
13	PE-778109	Gear, Bevel (42 Tooth & 15 Tooth Spur Gear)
14	PE-778126	Gear, Spur (20 Teeth)
15	PE-778127	Gear, Spur (25 Teeth)
16	PE-778128	Gear, Spur (28 Teeth)
17	PE-778129	Gear, Spur (30 Teeth)
18	PE-776140	Shaft, Input
19	PE-778113	Bevel Pinion, Input
20	PE-786049	Sprocket (8 Teeth)
27	PE-780105	Bushing, Flanged
28	PE-786062	Chain, Roller (No. 41 Chain, 22 Links)
29	PE-780072	Race, Thrust
30	PE-780106	Bearing, Needle
31	PE-792072	Ring, Retaining
32	PE-792035	Ring, Retaining
33	PE-780109	Washer
34	PE-788040	Ring, Retaining
35	PE-784271	Rod and Fork Ass'y., Shift
36	PE-792073	Screw, Hex Hd. Taptite, 1/4-20 x 1 1/4
37	PE-792089	Key
40	PE-792077	Ball, Steel, 5/16"
41	PE-792078	Screw, Set, 3/8-16 x 3/8
42	PE-792079	Spring
43	PE-780108	Washer, Thrust
44	PE-792074	Plug

WWW.Equipment.com

# Models 526, 528 and 529



Lubricate with 3 oz. of high temp. grease Plastilube #0.  
Order Part No. 737-0166.

## PARTS LIST FOR DIFFERENTIAL ASSEMBLY 717-0319

REF. NO.	PART NO.	Qty. Req'd.	DESCRIPTION	NEW PART
1	715-0247	2	Spring Pin Spiral 3/16" Dia. x 1.00" Lg.	
2	748-0156	2	Gear—Double "D" Hole	
3	738-0302	1	Shaft (Long)—15.11" Lg.	
4	736-0188	2	Fl-Wash. .760 I.D. x 1.49 O.D.	
5	719-0150	2	Housing Half	
6	736-0119	8	L-Wash. 5/16" I.D.*	
7	710-0363	4	Hex Bolt 5/16-24 x 4.00" Lg.	
8	736-0187	2	Fl-Wash. .640 I.D. x .24 O.D.	
9	748-0158	2	Gear—Round Hole	
10	711-0276	1	Drive Pin	
11	715-0145	2	Dowel Pin 3/16" Dia. x .62" Lg.	
12	738-0303	1	Shaft (Short) 7.58" Lg.	
13	713-0162	1	Sprocket—48 Teeth	
14	712-0237	4	Hex Cent. L-Nut 5/16-24 Thd.	
15	748-0169	2	Flange Bearing	

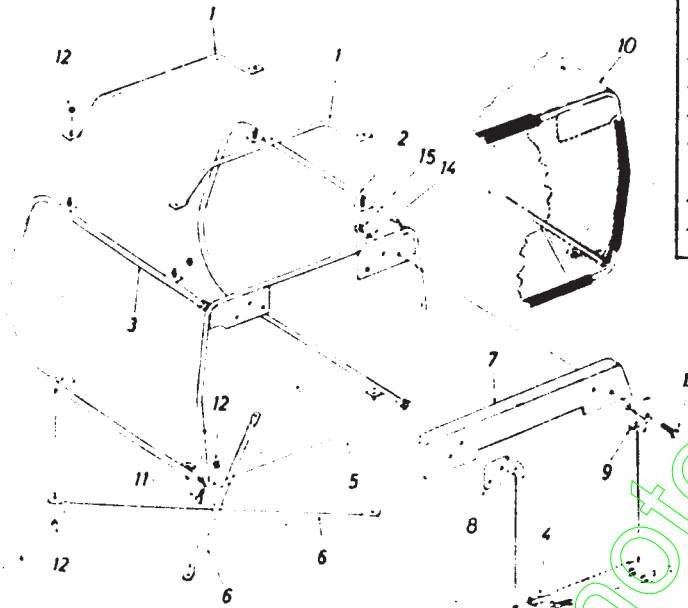
\*For faster service obtain standard nuts, bolts and washers locally. If these items cannot be obtained locally, order by part number and size as shown on parts list.



# Models 526, 528 and 529

## PARTS LIST FOR MODELS 526, 528 AND 529

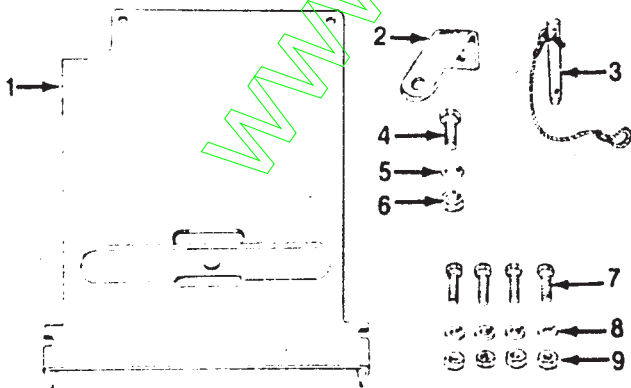
REF. NO.	PART NO.	DESCRIPTION	NEW PART
1	749-0221	Catcher Handles	
2	12889	Catcher Side Frame Ass'y. L.H.	
3	12890	Catcher Side Frame Ass'y. R.H.	
4	725-0713	Safety Switch (Grass Catcher)	
5	12887	Catcher Frame Ass'y.	
6	749-0651	Bottom Cross Brace	
7	12891	Dust Cover	
8	12574	Hinge—R.H.	
9	12573	Hinge—L.H.	
10	764-0164	Grass Bag	
11	710-0258	Hex Scr. 1/4-20 x .62" Lg.*	
12	712-0107	Hex Cent. L-Nut 1/4-20 Thd.	
13	710-0322	Hex Sems Scr. 5/16-18 x 1.00" Lg.*	
14	736-0119	L-Wash. 5/16" Scr.*	
15	712-0267	Hex Nut 5/16-18 Thd.*	



\*For faster service obtain standard nuts, bolts and washers locally. If these items cannot be obtained locally, order by part number and size as shown on parts list.

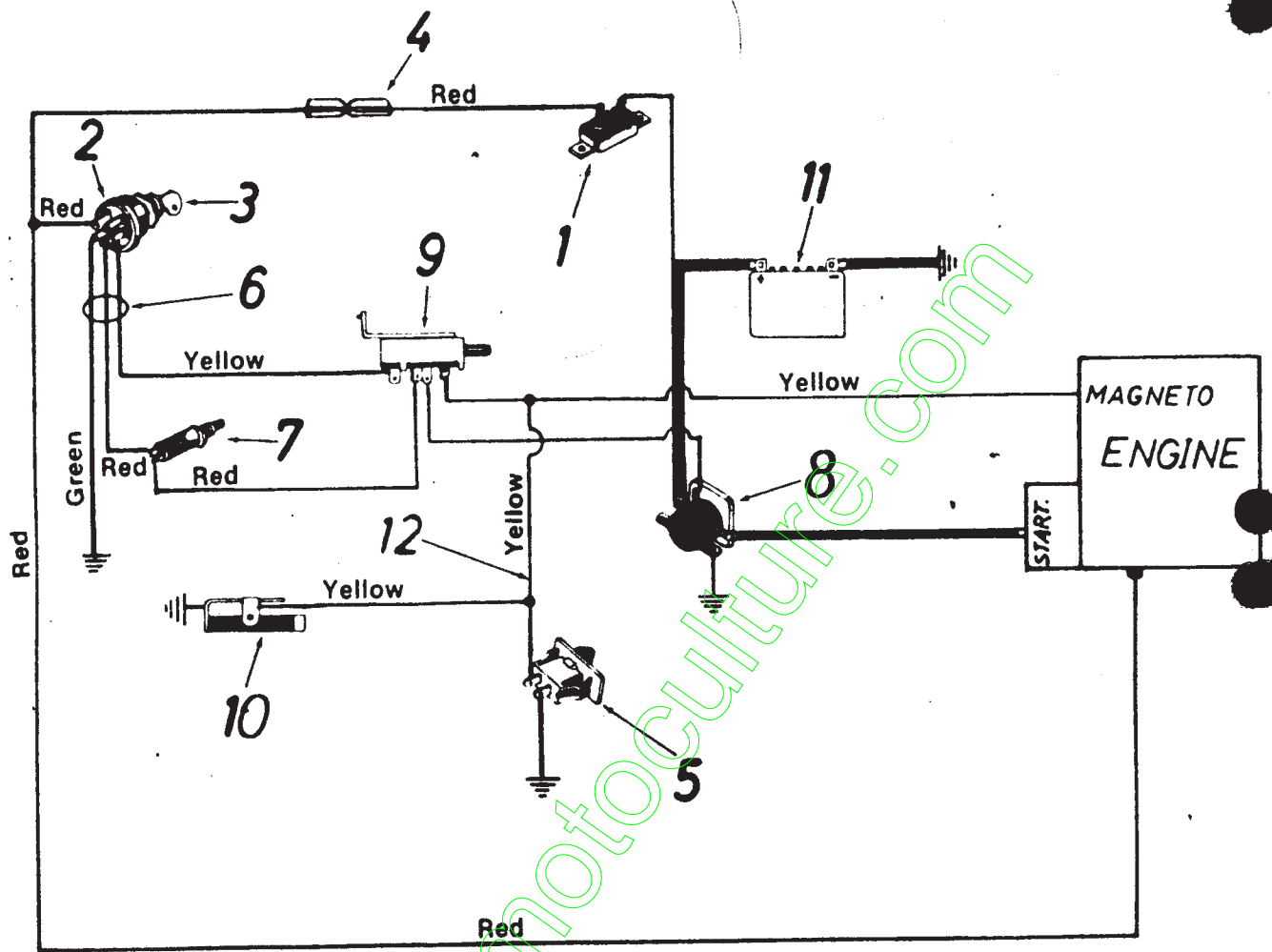
## PARTS LIST FOR MODELS 526, 528 AND 529

REF. NO.	PART NO.	DESCRIPTION	NEW PART
1	12896	Hitch Plate	
2	12895	Hitch Bracket	
3	09389	Hitch Pin	
4	710-0253	Hex Scr. 3/8-16 x 1" Lg.*	
5	736-0169	L-Wash. 3/8" Scr.*	
6	712-0798	Hex Nut 3/8-16 Thd.*	
7	710-0118	Hex Scr. 5/16-18 x .75" Lg.*	
8	736-0119	L-Wash. 5/16" Scr.*	
9	712-0267	Hex Nut 5/16-18 Thd.*	



\*For faster service obtain standard nuts, bolts and washers locally. If these items cannot be obtained locally, order by part number and size as shown on parts list.

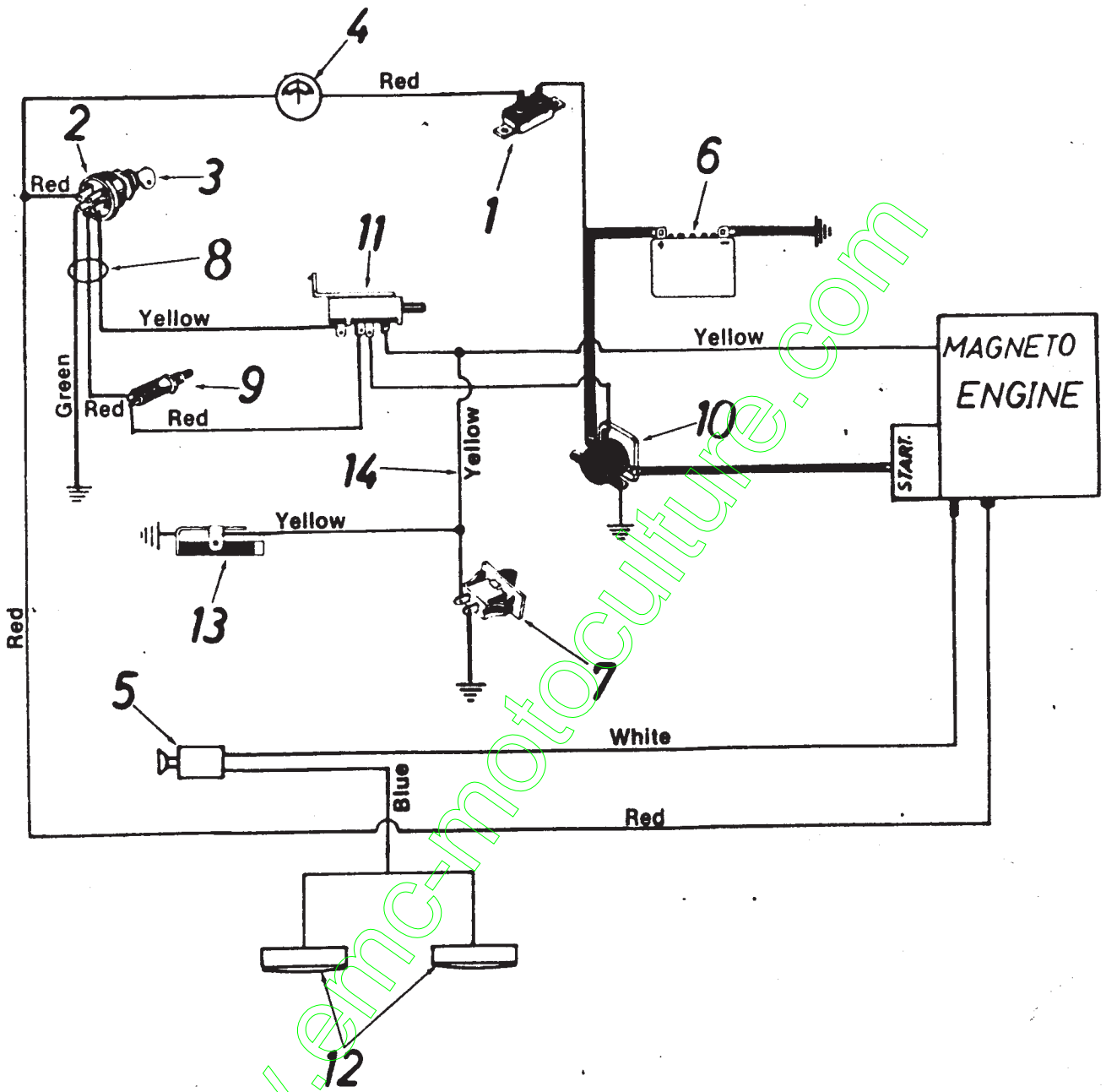
# Model 526 Only



**PARTS LIST FOR ELECTRICAL SYSTEM  
RIDING MOWER MODEL 526 ONLY**

REF. NO.	PART NO.	COLOR CODE	DESCRIPTION	NEW PART
1	725-0459		Circuit Breaker	
2	725-0267		Ignition Switch	
3	725-0201		Ignition Key	
4	725-0717		Insulated Tab Adapter	
5	725-0713		Safety Switch (Grass Catcher)	
6	725-0870		Wire Harness	
7	725-0577		Safety Switch (Drive)	
8	725-0771		Solenoid	
9	725-0465		Safety Switch (Blade)	
10	725-0759		Spring Switch (Reverse)	
11	725-0514		12-V Battery	
12	725-0712		Wire Lead	

# Model 526 Only



PARTS LIST FOR ELECTRICAL SYSTEM  
RIDING MOWER MODEL 528 ONLY

REF. NO.	PART NO.	COLOR CODE	DESCRIPTION	NEW PART	REF. NO.	PART NO.	COLOR CODE	DESCRIPTION	NEW PART
1	725-0459		Circuit Breaker		8	725-0849		Wiring Harness	
2	725-0267		Ignition Switch		9	725-0577		Safety Switch (Drive)	
3	725-0201		Ignition Key		10	725-0771		Solenoid	
6	725-0514		Battery		13	725-0759		Spring Switch (Reverse)	
7	725-0713		Safety Switch (Grass Catcher)		14	725-0712		Wire Lead	

# PARTS INFORMATION

## POWER EQUIPMENT PARTS AND SERVICE

Parts and service are available through the authorized service firms listed below. All orders should specify the model number of your unit, part numbers, description of parts and the quantity of each part required.

## BRIGGS AND STRATTON, TECUMSEH AND PEERLESS PARTS AND SERVICE

Briggs & Stratton, Tecumseh and Peerless parts should be handled by your nearest authorized engine service center. Check the yellow pages of your telephone directory under listing Engines—Gasoline, Briggs & Stratton or Tecumseh Lauson.

NOTE: If any parts are found to be missing or defective upon assembly of this unit, write to advise the factory that immediate replacement can be made.

<b>ALABAMA</b>	<b>BIRMINGHAM</b>		<b>CARROLL</b>	
Auto Electric & Carburetor Co.	2625 4th Ave. S.	35233	Stebe's Mid-State Mower Supply	Box 366, 71 High St. 431
<b>ARKANSAS</b>	<b>NORTH LITTLE ROCK</b>		<b>CLEVELAND</b>	
Sutton's Lawn Mower Shop	5301 Roundtop Drive		Bleckrie, Inc.	7900 Lorain Ave. 441
	Box 368, Rt. 4	72117	National Central	687 Seville Rd. 442
<b>CALIFORNIA</b>	<b>PORTERVILLE</b>		Burton Supply Co.	1301 Logan Ave. 445
Bilious	75 North D Street	93257		Box 929
<b>COLORADO</b>	<b>DENVER</b>		<b>OKLAHOMA</b>	<b>MUSKOGEE</b>
Spitzer Industrial Products Co.	6601 N.		Victory Motors, Inc.	605 S. Cherokee 744
	Washington St.	80229	<b>OREGON</b>	<b>PORTLAND</b>
<b>FLORIDA</b>	<b>JACKSONVILLE</b>		Kenton Supply Co.	8216 N. Denver Ave. 972
Radco Distributors	4909 Victor St.		<b>PENNSYLVANIA</b>	<b>HARRISBURG</b>
	Box 5459	32207	EECO Inc.	4021 N. 6th St. 171
	<b>HIALEAH</b>		Thompson Rubber Co.	5222 24 N. Fifth St. 191
Small Eng. Dist.	7995 W. 26th Court	33016	Bluemont Co.	11125 Frankstown Rd. 152
<b>GEORGIA</b>	<b>EAST POINT</b>		Frank Roberts & Sons	R.D. 2 157
East Point Cycle & Key Inc.	2834 Church St.	30344	Scranton Auto Ignition Co.	1133-35 Wyoming Ave. 185
<b>ILLINOIS</b>	<b>LYONS</b>		<b>TENNESSEE</b>	<b>KNOXVILLE</b>
Keen Edge Co.	8615 Ogden Ave.	60534	Master Repair Service	2000 Western Ave. 379
<b>INDIANA</b>	<b>ELKHART</b>		American Sales & Service, Inc.	3035-43 Bellbrook 381
Parts & Sales Inc.	2101 Industrial Pkwy.	46516	<b>TEXAS</b>	<b>DALLAS</b>
<b>IOWA</b>	<b>DUBUQUE</b>		Marr Brothers, Inc.	423 E. Jefferson 752
Power Lawn & Garden Equip.	2551 J.F. Kennedy	52001	Woodson Sales Corp.	6733 Baker Blvd. 761
<b>LOUISIANA</b>	<b>NEW ORLEANS</b>			Hwy. 10
Suhren Engine Co.	8330 Earhart Blvd.	70118	Bullard Supply Co.	2409 Commerce St. 770
<b>MARYLAND</b>	<b>TAKOMA PARK</b>		Engine House Inc.	<b>SAN ANTONIO</b>
Center Supply Co.	6867 New Hampshire Ave.	20912		8610 Botts Lane
<b>MASSACHUSETTS</b>	<b>SPRINGFIELD</b>			P.O. Box 17867 782
Morton B. Collins Co.	300 Birnie Ave.	01107	<b>UTAH</b>	<b>BOUNTIFUL</b>
<b>MICHIGAN</b>	<b>LANSING</b>		Powered Products	485 N 500 W. 840
Lorenz Service Co.	2500 S. Pennsylvania	48910	<b>VIRGINIA</b>	<b>ASHLAND</b>
	340 Hubbard	48043	RBI Corp.	101 Cedar Ridge Dr. 2301
Power Equipment Dist.	<b>HOPKINS</b>		<b>WASHINGTON</b>	<b>SEATTLE</b>
<b>MINNESOTA</b>	420 Excelsior Ave. W.	55343	Equip. Northwest	1410 14th Ave. 98111
Hance Distributing Inc.	<b>KANSAS CITY</b>		<b>NORTH CAROLINA</b>	<b>GOLDSBORO</b>
<b>MISSOURI</b>	3117 Holmes St.	64109	Smith Hardware Co.	515 N. George St. 2752
Automotive Equip. Service	<b>ST. JOSEPH</b>		Dixie Sales Company	<b>GREENSBORO</b>
Ross-Frazier Supply Co.	8th and Monterey	64503		335 N. Green 2740
	<b>ST. LOUIS</b>			
Henzler, Inc.	2015 Lemay Ferry Rd.	63125		
<b>NEW JERSEY</b>	<b>BELLMAR</b>			
Lawnmower Parts Inc.	717 Creek Rd.	08030		
<b>NEW MEXICO</b>	<b>ALBUQUERQUE</b>			
Spitzer Eng. & Parts Co.	1023 Third Ave. N.W.	87103		
<b>NEW YORK</b>	<b>CARTHAGE</b>			
Gamble Dist., Inc.	West End Ave.	13619		

## WARRANTY PARTS AND SERVICE POLICY

(0484)

The purpose of warranty is to protect the customer from defects in workmanship and materials, defects which are NOT detected at the time of manufacture. It does not provide for the unlimited and unrestricted replacement of parts. Use and maintenance are the responsibility of the customer. The manufacturer cannot assume responsibility for conditions over which it has no control. Simply put, if it's the manufacturer's fault, it's the manufacturer's responsibility; if it's the customer's fault, it's the customer's responsibility.

### CLAIMS AGAINST THE MANUFACTURER'S WARRANTY INCLUDES:

1. Replacement of Missing Parts on new equipment.
2. Replacement of Defective Parts within the warranty period.
3. Repair of Defects within the warranty period.

All claims MUST be substantiated with the following information:

1. Model Number of unit involved.
2. Date unit was purchased or first put into service
3. Date of failure.
4. Nature of failure.

MTD PRODUCTS INC • P.O. BOX 36900 • CLEVELAND, OHIO 44136