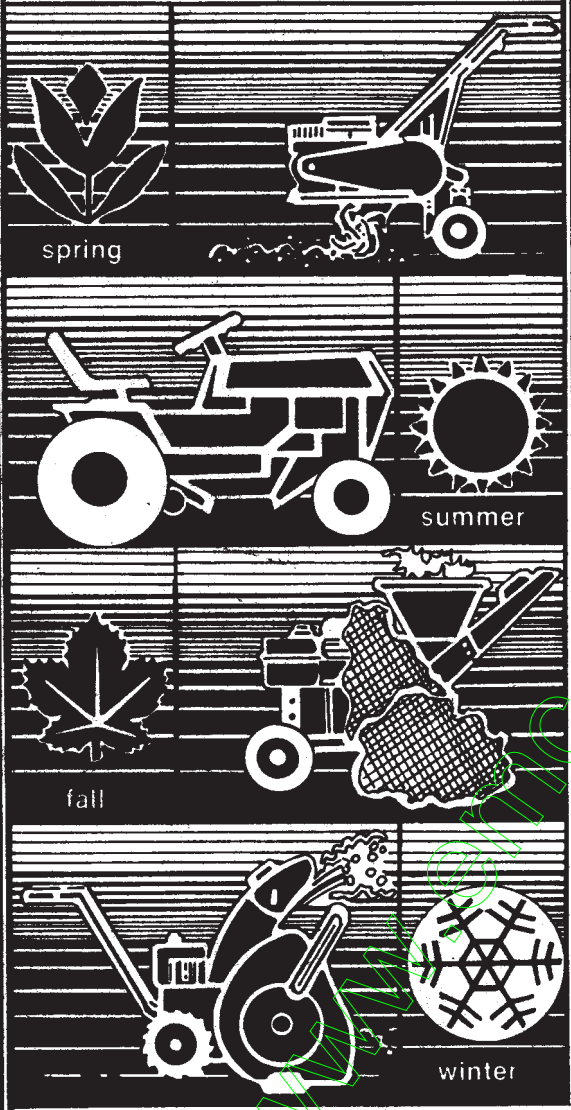


# OWNER'S GUIDE

**OUTDOOR POWER EQUIPMENT**  
for all seasons



## 600 SERIES TRANSMATIC LAWN TRACTORS

### Model Numbers

- 135-618-000
- 135-620-000
- 135-638-000
- 135-668-000
- 135-688-000
- 135-698-000

**Important:**  
**Read Safety Rules and**  
**Instructions Carefully**

Thank you for purchasing  
an American-built product.

# INDEX

Safe Operation Practices .....	3	Off-Season Storage .....	19
Assembly Instructions .....	4	Trouble Shooting Chart .....	20, 21
Controls .....	10	Illustrated Parts for Rider .....	22-33
Operation .....	12	Illustrated Parts for Transaxle .....	34, 35
Adjustments .....	13	Electrical System .....	36, 37, 38, 39
Lubrication .....	15	Parts Information .....	Back Cover
Maintenance .....	16		



Instructions given with this symbol are for personal safety. Be sure to follow them.

## LIMITED WARRANTY

For one year from the date of original retail purchase, MTD PRODUCTS INC will either repair or replace, at its option, free of charge, F.O.B. factory or authorized service firm, any part or parts found to be defective in material or workmanship. Transportation charges for the movement of any power equipment unit or attachment are the responsibility of the purchaser. Transportation charges for any parts submitted for replacement under this warranty must be paid by the purchaser unless such return is requested by MTD PRODUCTS INC.

This warranty will not apply to any part which has become inoperative due to misuse, excessive use, accident, neglect, improper maintenance, alterations, or unless the unit has been operated and maintained in accordance with the instructions furnished. This warranty does not apply to the engine, motor, battery, battery charger or component parts thereof. Please refer to the applicable manufacturer's warranty on these items.

This warranty will not apply where the unit has been used commercially.

Warranty service is available through your local authorized service dealer or distributor. If you do not know the dealer or distributor in your area, please write to the Customer Service Department of MTD.

The return of a complete unit will not be accepted by the factory unless prior written permission has been extended by MTD.

This warranty gives you specific legal rights. You may also have other rights which vary from state to state.



**WARNING**

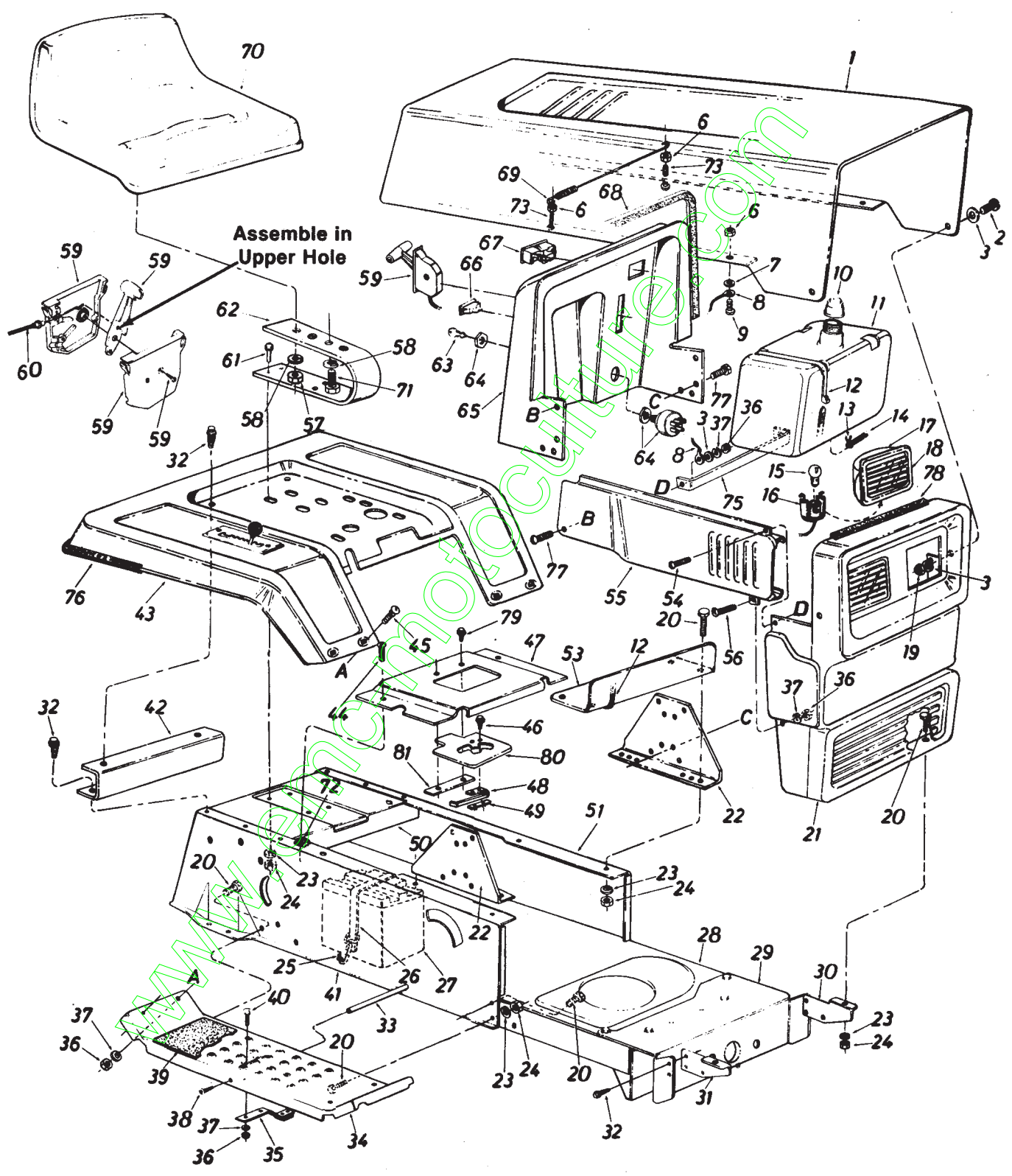
This unit is equipped with an internal combustion engine and should not be used on or near any unimproved forest-covered, brush-covered or grass-covered land unless the engine's exhaust system is equipped with a spark arrester meeting applicable local or state laws (if any). If a spark arrester is used, it should be maintained in effective working order by the operator.

In the State of California the above is required by law (Section 4442 of the California Public Resources Code). Other states may have similar laws. Federal laws apply on federal lands. A spark arrester muffler is available at your nearest engine authorized service center.

## TROUBLE SHOOTING CHART FOR ELECTRIC START MODELS

TROUBLE	LOOK FOR	REMEDY
	No spark to spark plug	Spark plug lead disconnected. Connect lead. Hold spark plug lead away from engine block about 1/8". Crank engine. There should be a spark. If not, have engine repaired at authorized engine service dealer. Faulty spark plug. To test, remove spark plug. Attach spark plug lead to spark plug. Ground the spark plug body against the engine block. Crank the engine. The spark plug should fire at the electrode. Replace if it does not.
	No fuel to the carburetor	Gasoline tank empty. Fill. Fuel valve shut off. Open valve. Valve is located either at the bottom of the fuel tank or on the carburetor. Fuel line plugged. Remove and clean.
	Air filter dirty	If the air cleaner is dirty, the engine may not start. Clean or replace as recommended by the engine manufacturer.
Engine smokes	Engine loses crankcase vacuum	Dipstick not seated or broken. Replace defective part. Engine breather defective. Replace.
Excessive vibration	Bent or damaged blade spindle	<b>Stop engine immediately.</b> Check all pulleys, blade adapters, keys and bolts for tightness and damage. Tighten or replace any damaged parts.
	Bent blade	<b>Stop engine immediately.</b> Replace damaged blade. Only use original equipment blades.
Mower will not discharge grass or leaves uncut strips	Engine speed low Transmission selection Blades short or dull	Throttle must be set between 3/4 and full throttle. Use lower transmission gear. The slower your ground speed, the better the quality of cut. Sharpen or replace blades (uncut strip problem only).

# Model 618



# Model 618

## PARTS LIST FOR MODEL 618 LAWN TRACTOR

REF. NO.	PART NO.	COLOR CODE	DESCRIPTION	NEW PART	REF. NO.	PART NO.	COLOR CODE	DESCRIPTION	NEW PART
1	15808		Hood		44	710-0351		Truss Mach. Tap Scr. #10 x .50" Lg.	
2	710-0258		Hex Scr. 1/4-20 x .62" Lg.*					Carriage Bolt 1/4-20 x .50" Lg.*	
3	736-0463		Fl-Wash. .296" I.D. x .62" O.D.		45	710-0167		Truss Hd. Scr. #10-24 x .50" Lg.*	
6	712-0272		Hex Sems Nut #10-24 Thd.*		46	710-0473		Transmission Panel	N
7	736-0931		Fl-Wash. .203" I.D. x .41" O.D. x .040		47	16188		Reverse Safety Switch	
8	727-0290		Hood Stop		48	725-0759		Insulator Nut Plate	
9	710-0473		Truss Hd. Scr. #10-24 x 1/2" Lg.*		49	726-0222		Hitch Plate	
10	723-0333		Fuel Cap Gauge		50	14607		L.H. Side Frame	
11	751-0172		Fuel Tank		51	14603		Fuel Tank Support	
12	726-0209		Tie Strap		53	14605		Truss Hd. Scr. 1/4-20 x .75" Lg.*	
13	726-0207		Hose Clamp		54	710-0255		Side Cover—R.H.	
14	751-0173		Fuel Line		55	15814		Side Cover—L.H. (Not Shown)	
15	725-0963		Lamp			15815		Truss Mach. Scr. 1/4-20 x .50" Lg.*	
16	725-0964		Socket					Hex Nut 1/2-13 Thd.*	
17	731-0705		Headlight Housing		56	710-0286		L-Wash. 1/2" I.D.*	
18	731-0706		Lens					Throttle Control Box Ass'y.	
19	712-0107		Hex L-Nut 1/4-20 Thd.		57	712-0206		Throttle Control Wire (B&S)	
20	710-0118		Hex Bolt 5/16-18 x .75" Lg.*		58	736-0921		Throttle Control Wire (Tec.)	
21	15804		Grille		59	831-0692		Hex Bolt 5/16-18 x 1.00" Lg.*	
	15805		Grille Without Headlights		60	746-0500		Seat Spring 5.5" High	
22	15818		Dash Support Bracket			746-0504		Ignition Key	
23	736-0119		L-Wash. 5/16" I.D.*		61	710-0376		Ignition Switch	
24	712-0267		Hex Nut 5/16-18 Thd.*					Dash Panel	
25	747-0475		Battery Strap Hook		62	732-0458		Light Switch (Optional)	
26	731-0718		Battery Hold Down Strap		63	725-0201		Ammeter (Optional)	
27	725-0514		12V—Battery		64	725-0267		Trim Strip—27"	
28	14606		Lower Frame		65	15810		Hood Spring	
29	14619		Front Pivot Brk't.		66	725-0634		Seat Ass'y. (Used w/Hex Nut)	
30	15821		Grille Mount Brk't.—L.H.		67	725-0925		Seat Ass'y. (Used w/Hex Bolts)	
31	15822		Grille Mount Brk't.—R.H.		68	731-0511		Hex Bolt 1/2-13 x 1.0" Lg. (2 Req'd.) (Optional)	
32	710-0726		Hex Wash. Hd. AB-Tap Scr. 5/16 x .75" Lg.		69	732-0462		Speed Nut #10Z	
33	738-0526		Running Board Rod		70	757-0264		Hex Scr. #10-24 x 1.0" Lg.	
34	14604		Running Board (R.H. & L.H.)					Tie Strap—Grille/Side Panel	
35	—		Blade Brake Ass'y. (Refer to Deck Breakdown)		71	710-0493		Trim Strip—81"	
36	712-0287		Hex Nut 1/4-20 Thd.*					Hex Wash. Hd. Tap Scr. 1/4 x .75" Lg.	
37	736-0329		L-Wash. 1/4" I.D.*		72	726-0139		Foam Strip 3/8 x 1 x 14" Lg.	
38	710-0323		Truss Mach. Scr. 5/16-18 x .75" Lg.*		73	710-0749		Truss Mach. Scr. 1/4-20 x .75" Lg.	
39	723-0360		Foot Pad (Optional)		75	15931		Gear Selection Plate	N
40	710-0134		Carriage Bolt 1/4-20 x .62" Lg.*		76	731-0511		Clamping Plate	N
41	14602		R.H. Side Frame		77	710-0642			
42	15848		Fender Mount Brace		78	722-0155			
43	16199		Rear Fender	N	79	710-0924			
	16198		Rear Fender (R.H.)†	N	80	16189			
	15350		Rear Fender (L.H.)†	N	81	16190			

†Used with 36" Rear Discharge Deck Only.

\*For faster service obtain standard nuts, bolts and washers locally. If these items cannot be obtained locally, order by part number and size as shown on parts list.

(462—Red Flake)

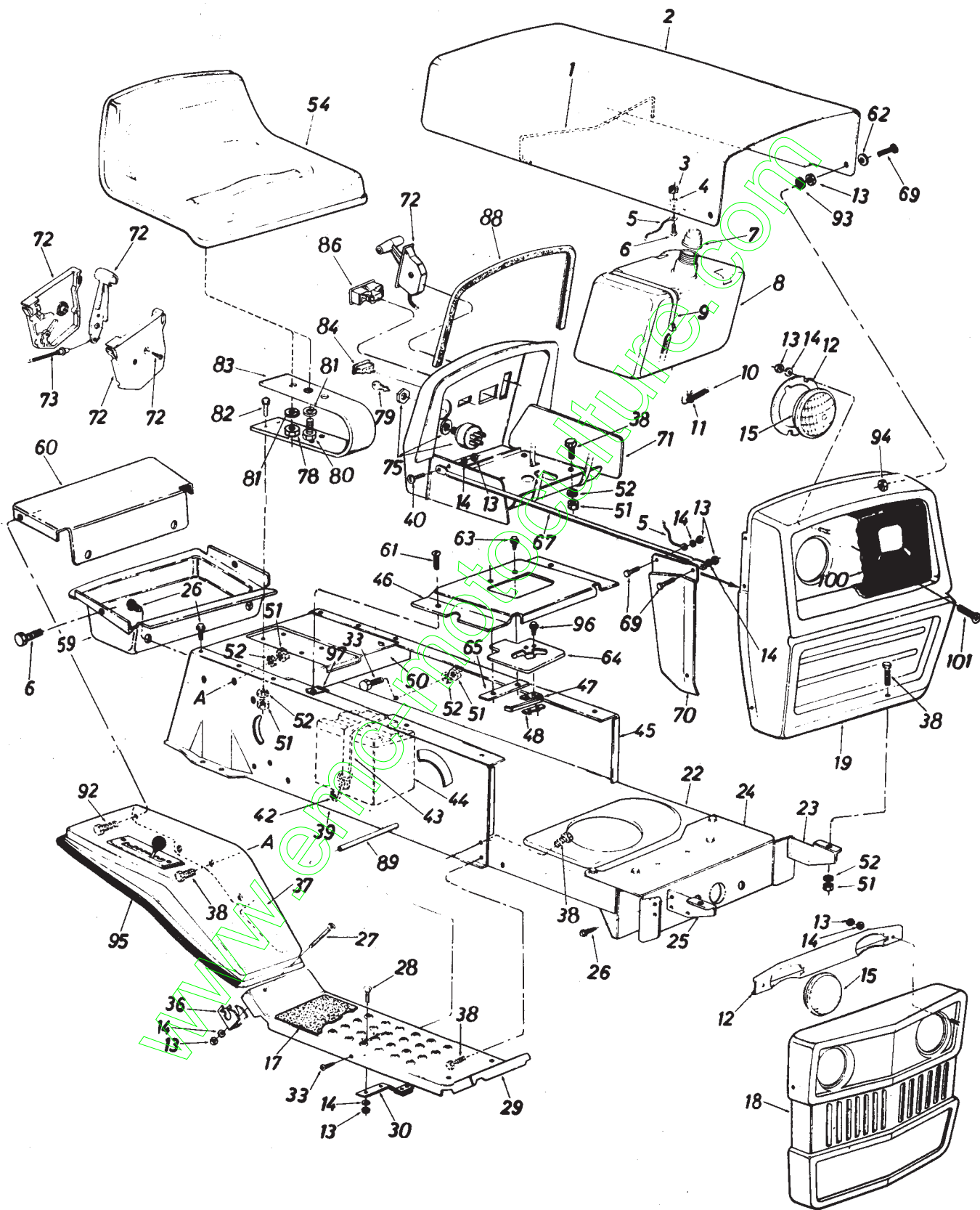
When ordering parts, if color or finish is important use the appropriate color code shown above. (e.g. Red Flake Finish—11836 (462).)



### NOTE

This instruction manual covers various models, and all specifications shown do not necessarily apply to your model. Specifications subject to change without notice or obligation.

# Models 620, 638, 688 and 698



# Models 620, 638, 688 and 698

## PARTS LIST FOR MODELS 620, 638, 688 AND 698 LAWN TRACTORS

REF. NO.	PART NO.	COLOR CODE	DESCRIPTION	NEW PART	REF. NO.	PART NO.	COLOR CODE	DESCRIPTION	NEW PART
1	732-0414		Hood Spring		50	14607		Hitch Plate	
2	14616 —462		Hood†		51	712-0267		Hex Nut 5/16-18 Thd.*	
	14665 —462		Hood††		52	736-0119		L-Wash. 5/16" I.D.*	
3	712-0272		Hex Sems Nut #10-24 Thd.*		54	757-0264		Seat Ass'y. (Used w/Hex Nut)	
4	736-0463		FI-Wash. .281" I.D. x .62" O.D. x .051			757-0299		Seat Ass'y. (Used w/Hex Bolts)	
5	723-0302		Hood Stop 7" Lg.		59	731-0561		Tool Tray (Optional)	
6	710-0473		Truss Hd. Scr. #10-24 x 1/2" **		60	14789		Fender Panel (Optional)	
7	723-0333		Fuel Cap Gauge		61	710-0351		Truss Mach. Tap Scr. #10 x .50" Lg.	
8	751-0172		Fuel Tank		62	736-0463		FI-Wash. .296 I.D. x .62 O.D.	
9	726-0209		Tie Strap		63	710-0924		Truss Mach. Scr. 1/4-20 x .75" Lg.	
10	751-0173		Fuel Line		64	16189		Gear Selection Plate	N
11	726-0207		Hose Clamp		65	16190		Clamping Plate	N
12	14672		Headlight Retainer†		67	749-0517		Grille Support Rod (R.H. & L.H.)	
	09960		Headlight Retainer††		69	710-0255		Truss Hd. Scr. 1/4-20 x .75" Lg.*	
13	712-0287		Hex Nut 1/4-20 Thd.*		70	14670		R.H.—Grille Side Panel†	
14	736-0329		L-Wash. 1/4" I.D.*			14748		R.H.—Grille Side Panel††	
15	725-0222		Headlight			14669		L.H.—Grille Side Panel†	
17	723-0360		Foot Pad (Optional)			14749		L.H.—Grille Side Panel††	
18	14635		Grille Ass'y. (Optional)		71	15933		Dash Panel Ass'y.	
	14612		Grille Without Headlights		72	831-0692		Throttle Control Box Ass'y.	
19	14781		Grille Ass'y. (Optional)		73	746-0501		Throttle Control Wire—B&S	
	14786		Grille Without Headlights			746-0504		Throttle Control Wire—Tec.	
22	14606		Lower Frame		75	725-0267		Ignition Switch	
23	13863		Grille Mount Brkt.—L.H.		78	712-0206		Hex Nut 1/2-13 Thd. (Optional)	
24	14619		Front Pivot Brkt.		79	725-0201		Ignition Key	
25	13862		Grille Mount Brkt.—R.H.		80	710-0493		Hex Bolt 1/2-13 x 1.00" Lg. (2-Req'd.) (Optional)	
26	710-0726		Hex Wash. Hd. AB-Tap Scr. 5/16 x .75" Lg.		81	736-0921		L-Wash. 1/2" I.D.*	
27	710-0524		Truss Hd. Scr. 1/4-20 x 1.75" Lg.*		82	710-0376		Hex Bolt 5/16-18 x 1.00" Lg.*	
28	710-0134		Carriage Bolt 1/4-20 x .62" Lg.*		83	732-0458		Seat Spring 5.5" High	
29	14604		Running Board (R.H. & L.H.)		84	725-0634		Light Switch (Optional)	
30	—		Blade Brake Ass'y. (Refer to Deck Breakdown)		86	725-0925		Ammeter (Optional)	
33	710-0323		Truss Mach. Scr. 5/16-18 x .75" Lg.*		88	731-0511		Molding Strip 27" Lg.	
36	14671		Fender Clamp	N	89	738-0526		Running Board Rod	
37	16197		Fender (R.H.)		92	710-0599		Thread Rolling Scr. 1/4-20 x .50" Lg.	
	14666		Fender (L.H.)		93	735-0144		Rubber Wash. 1/2" I.D. x 1.0 O.D. x .25"	
	16198		Fender (R.H.)—Used w/36" Rear Discharge Deck	N	94	712-0324		Hex Sems Ins. L-Nut 1/4-20 Thd.	
	15350		Fender (L.H.)—Used w/36" Rear Discharge Deck		95	731-0516		Trim Strip	
38	710-0118		Hex Bolt 5/16-18 x .75" Lg.*		96	710-0227		Hex Wash. Hd. AB-Tap Scr. #8 x .50" Lg.	
39	14602		R.H. Side Frame		97	726-0139		Speed Nut #10Z	
40	710-0258		Hex Bolt 1/4-20 x .62" Lg.*		100	731-0465		Bezel (Optional)	
42	747-0475		Battery Strap Hook		101	710-0425		Truss Scr. #10-24 x .62" Lg. (Optional)	
43	731-0718		Battery Hold Down Strap						
44	725-0514		12-V Battery						
45	14603		L.H. Side Frame						
46	16188		Shift Cover	N					
47	725-0759		Reverse Safety Switch						
48	726-0222		Insulator Nut Plate						

†Used with Grille Assembly Ref. No. 18

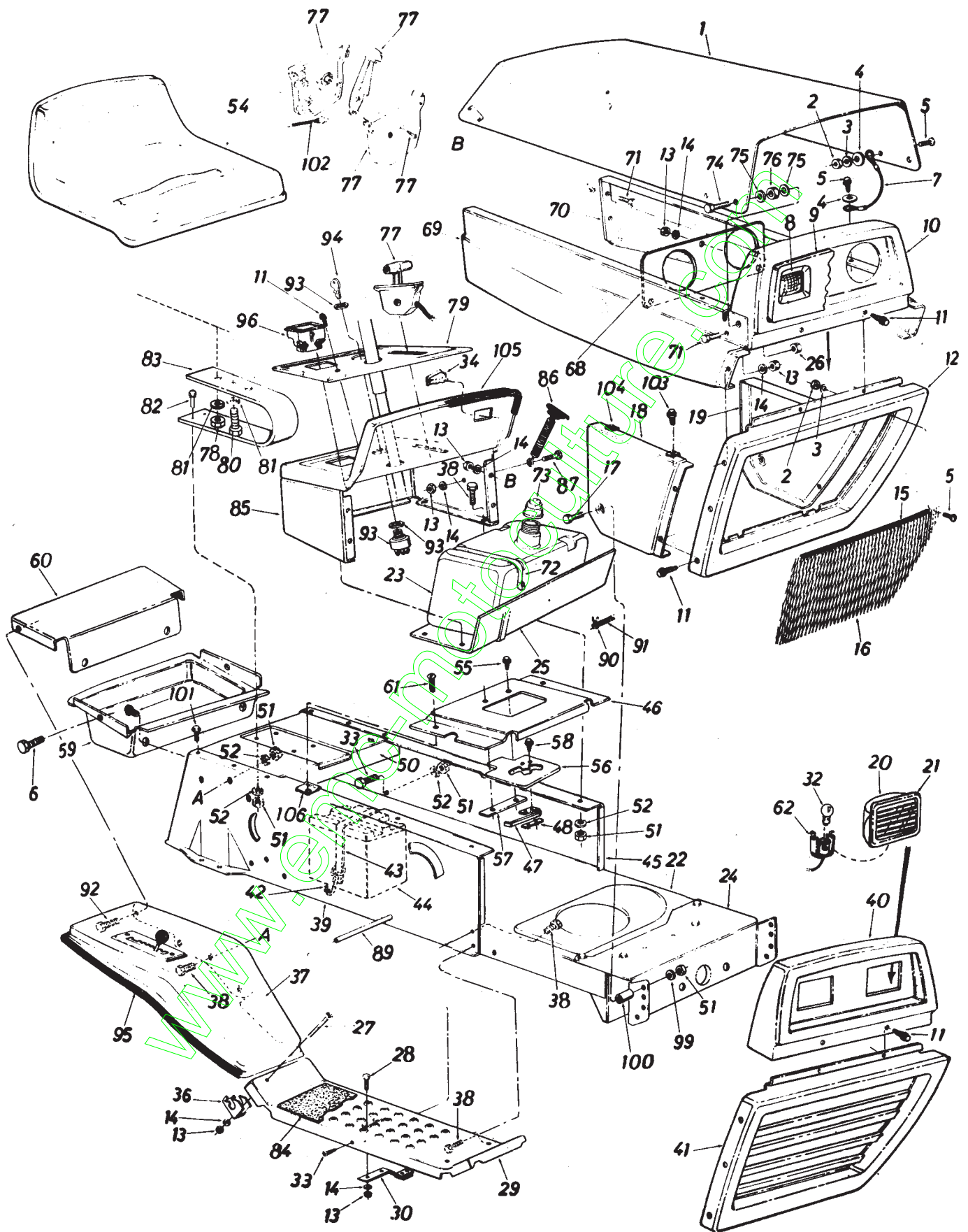
††Used with Grille Assembly Ref. No. 19

(462—Red Flake)

\*For faster service obtain standard nuts, bolts and washers locally. If these items cannot be obtained locally, order by part number and size as shown on parts list.

When ordering parts, if color or finish is important use the appropriate color code shown above. (e.g. Red Flake Finish—11836 (462).)

# Model 668





# Model 668

## PARTS LIST FOR MODEL 668 LAWN TRACTOR

REF. NO.	PART NO.	COLOR CODE	DESCRIPTION	NEW PART	REF. NO.	PART NO.	COLOR CODE	DESCRIPTION	NEW PART
1	12780	—462	Hood		54	757-0264		Seat Ass'y. (used w/Hex Nut)	
2	712-0121		Hex Nut #10-24 Thd.*						
3	736-0722		L-Wash. #10 I.D.			757-0299		Seat Ass'y. (used w/Hex Bolts)	
4	736-0463		Fl-Wash. .25" I.D. x .62"						
5	710-0192		Truss Scr. #10-24 x .375"		55	710-0924		Truss Mach. Scr. 1/4-20 x .75" Lg.	
6	710-0473		Truss Hd. Scr. #10-24 x .50"						
7	727-0199		Hood Stop		56	16189		Gear Selection Plate	N
8	725-0222		Headlight†		57	16190		Clamping Plate	N
9	12787		Headlight Bezel†		58	710-0227		Hex AB-Tap Scr. #8 x .50"	
10	12814	—462	Front Grille Upper Ass'y.†		59	731-0561		Tool Tray (Optional)	
11	710-0224		Hex AB-Tap Scr. #10 x .50"		60	14789		Fender Panel (Optional)	
12	12781	—462	Lower Grille†		61	710-0351		Truss Mach. Tap Scr. #10 x .50" Lg.	
13	712-0287		Hex Nut 1/4-20 Thd.*						
14	736-0329		L-Wash. 1/4" I.D.*		62	725-0964		Head Lamp Socket†	
15	731-0144		Vinyl "U"-Channel†		68	12788		Head Lamp Retainer†	
16	12791		Grille Screen†		69	12784	—462	Side Panel—R.H.	
17	710-0442		Hex Bolt 5/16-18 x 1.50"		70	12785	—462	Side Panel—L.H.	
18	15544	—462	R.H. Lower Side Panel		71	710-0258		Hex Bolt 1/4-20 x .62" Lg.*	
19	15545	—462	L.H. Lower Side Panel		72	726-0153		Tie Strap	
20	731-0705		Headlight Housing†		73	723-0333		Fuel Cap Gauge	
21	731-0706		Headlight Lens†		74	710-0253		Hex Bolt 3/8-16 x 1.00" Lg.*	
22	14606		Lower Frame		75	736-0101		Fl-Wash. .380" I.D. x 1.00"	
23	751-0172		Fuel Tank		76	735-0126		Rubber Wash. .33" I.D. x .87" O.D.	
24	14619		Front Pivot Brkt.						
25	14603		Fuel Tank Support		77	831-0692		Throttle Control Box Ass'y.	
26	712-0375		Hex Cent. L-Nut 3/8-16 Thd.		78	712-0206		Hex Nut 1/2-13 Thd. (Optional)	
27	710-0524		Truss Hd. Scr. 1/4-20 x 1.75"						
28	710-0134		Carriage Bolt 1/4-20 x .62"		79	731-0709		Dash Panel Insert	
29	14604	—462	Running Board (R.H. & L.H.)		80	710-0493		Hex Bolt 1/2-13 x 1.00" Lg. (2 Req'd.) (Optional)	
30	—		Blade Brake Ass'y. (Refer to Deck Breakdown)		81	736-0921		L-Wash. 1/2" I.D.*	
32	725-0963		Head Lamp†		82	710-0376		Hex Bolt 5/16-18 x 1.00"	
33	710-0323		Truss Mach. Scr. 5/16-18 x .75" Lg.*		83	732-0458		Seat Spring	
34	725-0634		Light Switch†		84	723-0360		Foot Pad (Optional)	
36	14671		Fender Clamp		85	15895		Dash Panel Ass'y.	
37	16197		Fender (R.H.)	N	86	723-0296		Hood Latch Ass'y.	
	14666		Fender (L.H.)		87	710-0289		Hex Bolt 1/4-20 x .50" Lg.*	
	16198		Fender (R.H.)—Used w/36" Rear Discharge Deck		89	738-0526		Running Board Rod	
			Fender (L.H.)—Used w/36" Rear Discharge Deck	N	90	726-0207		Hose Clamp	
	15350				91	751-0173		Fuel Line	
					92	710-0599		Thread Rolling Scr. 1/4-20 x .50" Lg.	
38	710-0118		Hex Bolt 5/16-18 x .75" Lg.*		93	725-0267		Ignition Switch	
39	14602		R.H. Side Frame		94	725-0201		Ignition Key	
40	15871		Front Upper Grille Ass'y.†		95	731-0516		Trim Strip	
41	15872		Lower Grille†		96	725-0925		Ammeter (Optional)	
42	747-0475		Battery Strap Hook		99	736-0242		Belleville Wash. .34" I.D.	
43	731-0718		Battery Hold Down Strap		100	22550		Spacer .344" I.D. x 1.0" O.D. x .75" Lg.	
44	725-0514		12-V Battery						
45	14603		L.H. Side Frame		101	710-0726		Hex Wash. Hd. AB-Tap Scr. 5/16 x .75" Lg.	
46	16187		Shift Cover	N					
47	725-0759		Reverse Safety Switch		102	746-0505		Throttle Control Wire (B&S)	
48	726-0222		Insulator Nut Plate			746-0511		Throttle Control Wire (Tec.)	
50	14607		Hitch Plate		103	710-0651		Hex Wash. Hd. Self-Tap Scr.	
51	712-0267		Hex Nut 5/16-18 Thd.*		104	726-0139		Speed Nut #10Z	
52	736-0119		L-Wash. 5/16" I.D.*		105	757-0272		Trim Strip—15"	
					106	726-0139		Speed Nut #10Z	

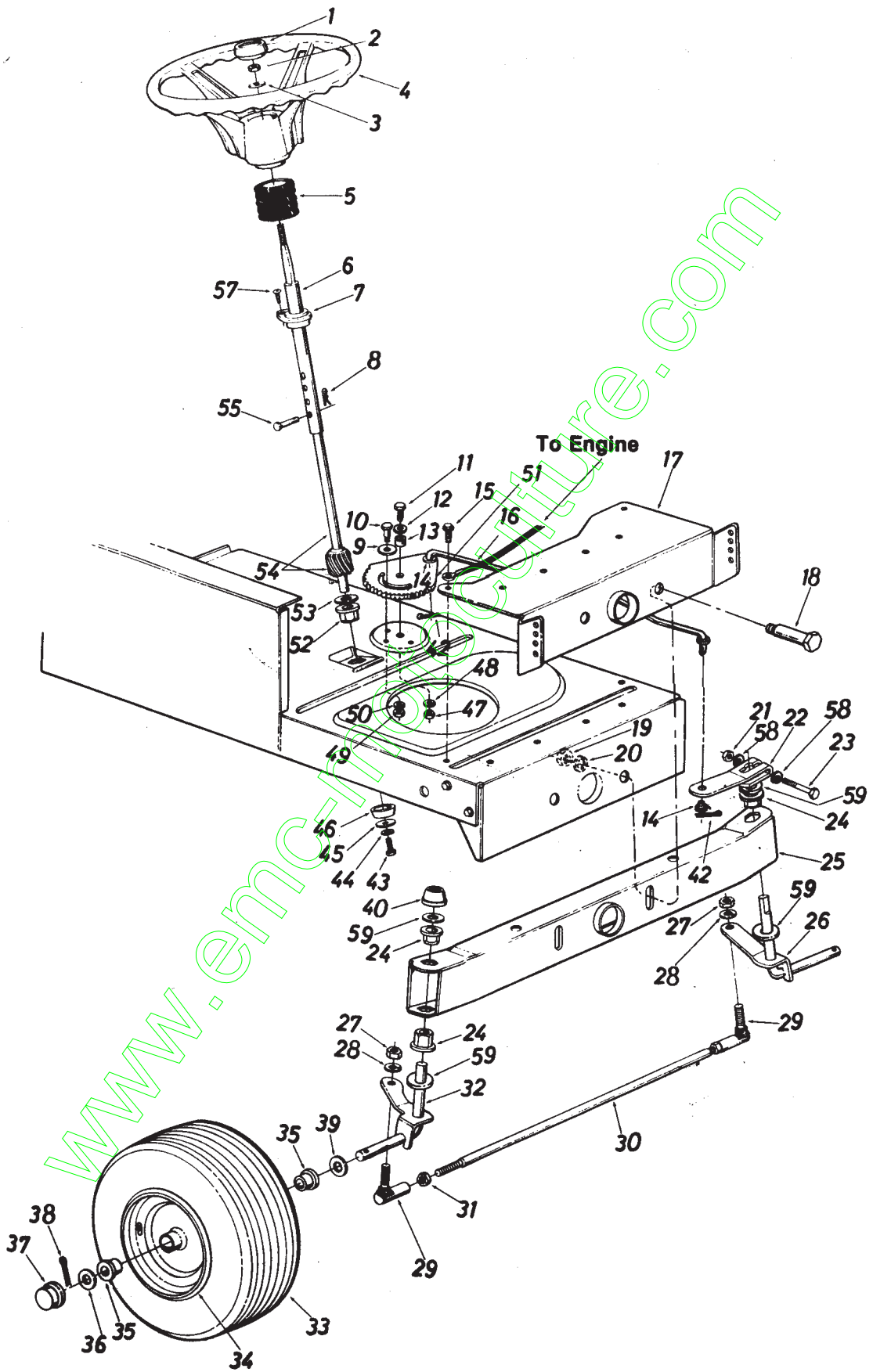
### †Optional Parts

\*For faster service obtain standard nuts, bolts and washers locally. If these items cannot be obtained locally, order by part number and size as shown on parts list.



This instruction manual covers various models, and all specifications shown do not necessarily apply to your model. Specifications subject to change without notice or obligation.

# Models 618, 620, 638, 668, 688 and 698



# Models 618, 620, 638, 668, 688 and 698

## PARTS LIST FOR MODELS 618, 620, 638, 668, 688 AND 698 LAWN TRACTORS

REF. NO.	PART NO.	COLOR CODE	DESCRIPTION	NEW PART	REF. NO.	PART NO.	COLOR CODE	DESCRIPTION	NEW PART
1	731-0220		Steering Wheel Cap		29	723-0156		Ball Joint 3/8-24 Thd.	
2	712-0267		Hex Nut 5/16-18 Thd.*		30	711-0613		Tie Rod	
3	736-0242		Belleville Wash. .345" I.D.		31	712-0711		Hex Jam Nut 3/8-24 Thd.*	
4	731-0219		Steering Wheel 12" Dia.		32	14650		Front Axle Ass'y.—R.H.	
	731-0356		Steering Wheel 13.5" Dia.			15840		Front Axle Ass'y.—R.H.†	
5	731-0559		Steering Bellow—4.5" (618, 620, 638, 688 & 698)		33	**		Wheel Ass'y. Comp.	
	731-0654		Steering Bellow—9" (668)		34	**		Front Wheel Rim Only	
6	14775		Steering Column Ass'y.		35	741-0313		Bearing	
7	741-0356		Flange Bearing .890 I.D. x 1.36 O.D.		36	736-0285		FI-Wash. .635 I.D. x 1.59" O.D.	
8	714-0147		Internal Cotter Pin 1/4" Dia.		37	731-0484		Front Wheel Hub Cap	
9	736-0319		FI-Wash. .438" I.D. x 1.37" O.D.			734-0541		Front Wheel Hub Cap (Chrome—Not Shown) (Optional)	
10	738-0141		Shoulder Bolt .437" Dia. x .35 Lg. 5/16-18 Thd.		38	714-0470		Cotter Pin 1/8" Dia. x 1.25" Lg.*	
11	710-0152		Hex Bolt 3/8-24 x 1.0" Lg. (Grade 5)		39	736-0156		FI-Wash. .635" I.D. x 1.20" O.D.	
12	736-0206		FI-Wash. .38" I.D. x 1.0" O.D.		40	726-0214		Push Cap 5/8" Dia. Rod	
13	750-0535		Spacer .380" I.D. x .625" O.D. x .227		42	714-0115		Cotter Pin 1/8" Dia. x 1.0" Lg.	
14	736-0355		Flat Washer .56 I.D. x 1.0 O.D.		43	710-0538		Hex L-Bolt 5/16-18 x .62" Lg.*	
15	710-0726		Hex Wash. Hd. Self-Tap Scr.		44	736-0119		L-Wash. 5/16" I.D.*	
16	711-0782		Steering Drag Link	N	45	736-0231		FI-Wash. .344" I.D. x 1.25" O.D.	
17	14619		Front Pivot Brkt.		46	750-0532		Spacer (Plastic)	
18	738-0527		Shoulder Bolt .498" Dia. x 2.04 Lg. 3/8-16 Thd.		47	712-0241		Hex Nut 3/8-24 Thd.*	
19	712-0798		Hex Nut 3/8-16 Thd.*		48	736-0169		L-Wash. 3/8" I.D.*	
20	736-0169		L-Wash. 3/8" I.D.*		49	712-0267		Hex Nut 5/16-18 Thd.*	
21	712-0237		Hex Cent. L-Nut 5/16-24 Thd.		50	736-0119		L-Wash. 5/16" I.D.*	
22	14611		Steering Arm Front Axle		51	717-0468		Steering Gear Segment	
23	710-0772		Hex Bolt 5/16-24 x 2.00" Lg. (Grade 5)		52	741-0225		Hex Flg. Brg. .634 I.D.	
24	741-0225		Hex Flg. Brg. .634 I.D.		53	736-0187		FI-Wash. (Hardened)	
25	14608		Pivot Bar Ass'y.		54	738-0522		Steering Shaft Lower	
26	14649		Front Axle Ass'y.—L.H.		55	711-0684		Clevis Pin 1/4" Dia. x 1.00" Lg.	
	15841		Front Axle Ass'y.—L.H.†		57	710-0837		Oval Hd. Cr.—Sunk Scr. #10 x 5/8" Lg.	
27	712-0241		Hex Nut 3/8-24 Thd.*		58	736-0242		Bell-Wash.	
28	736-0169		L-Wash. 3/8" I.D.*		59	736-0187		FI-Wash. (Hardened)	

†Used With 30" Rear Discharge Deck Only.

(462—Red Flake)

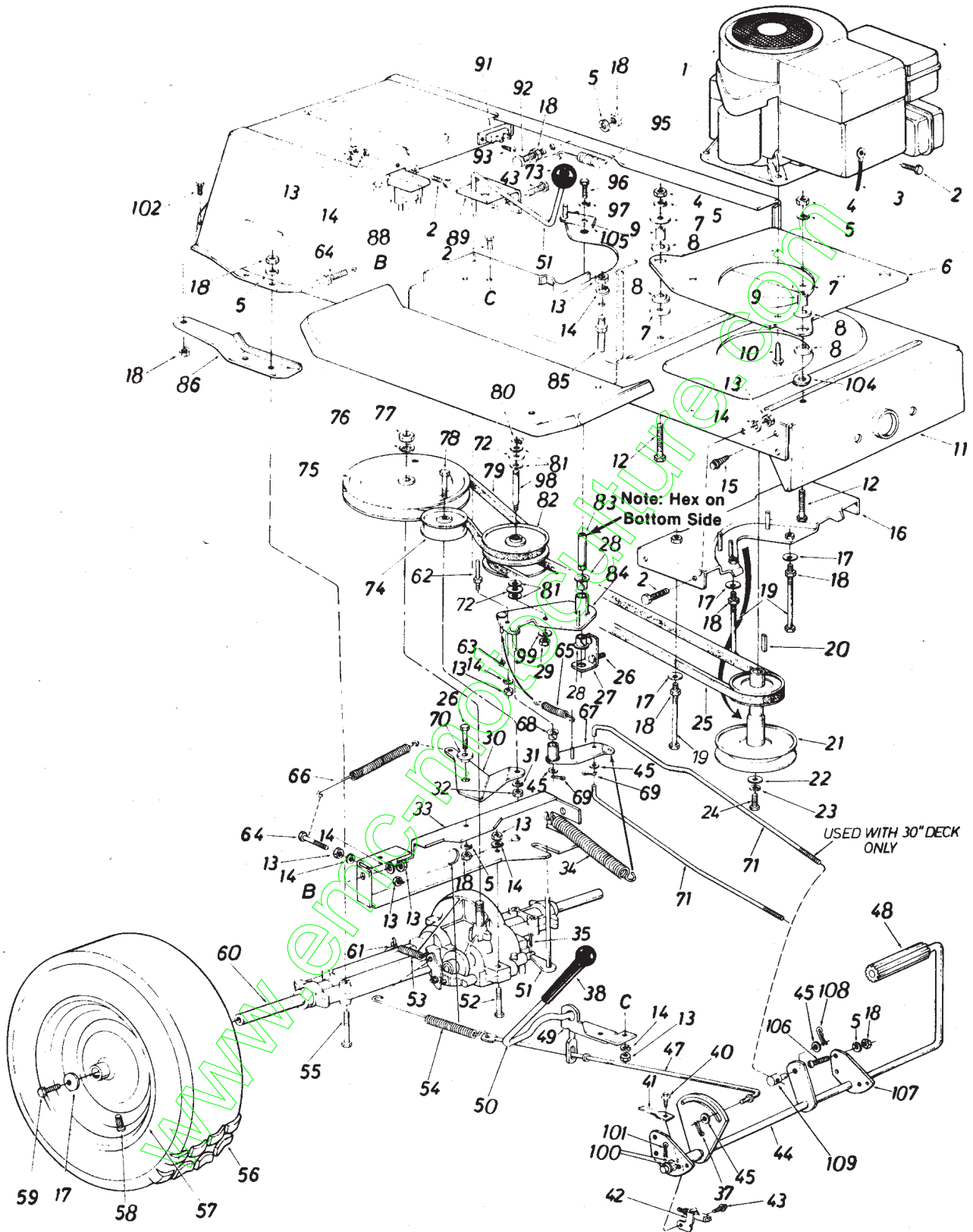
\*For faster service obtain standard nuts, bolts and washers locally. If these items cannot be obtained locally, order by part number and size as shown on parts list.

When ordering parts, if color or finish is important use the appropriate color code shown above. (e.g. Red Flake Finish—11836 (462).)

### \*\*FRONT WHEEL CHART

Description	15 x 6.00 (Rib Tread)	15 x 6.00 (Turf Tread)	13 x 5.00
Wheel Assembly Comp.	734-0998	734-1136	734-0999
Tire Only	734-0498	734-0427	734-0495
Rim Only	734-0997	734-0997	734-0986
Bearing	741-0313	741-0313	741-0313
Air Valve	734-0255	734-0255	734-0255
Grease Fitting	737-0146	737-0146	734-0146

# Models 618, 620, 638, 668, 688 and 698



**\*\*REAR WHEEL CHART**

Description	18 x 9.50	18 x 8.50	18 x 6.50	16 x 6.50	18 x 5.5
Wheel Assembly Comp.	734-0817	734-0601	734-1132	734-0591	734-1190
Tire Only	734-0448	734-0516	734-0294	734-0275	734-1197
Rim Only	734-0603	734-0603	734-1133	734-0594	734-1191

# Models 618, 620, 638, 668, 688 and 698

## PARTS LIST FOR MODELS 618, 620, 638, 668, 688 AND 698 LAWN TRACTORS

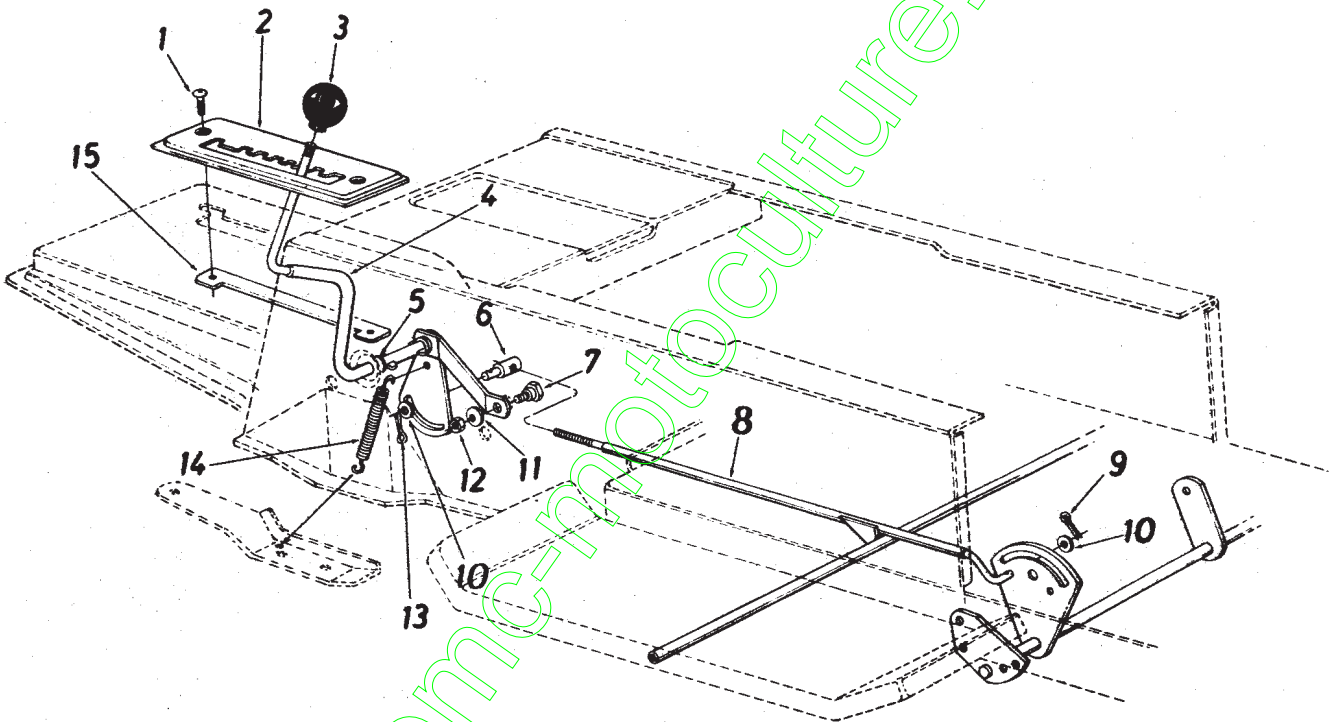
REF. NO.	PART NO.	COLOR CODE	DESCRIPTION	NEW PART	REF. NO.	PART NO.	COLOR CODE	DESCRIPTION	NEW PART
1	—		Engine		54	732-0413		Ext. Spring .59" O.D. x 7.08"	
2	710-0258		Hex Bolt 1/4-20 x .62" Lg.*		55	710-0378		Hex Bolt 5/16-18 x 2.50"*	
3	725-0122		Electric Ground Wire		56	**		Wheel Ass'y. Comp.	
4	712-0123		Hex Nut 5/16-24 Thd.*		57	**		Wheel Rim Only	
5	736-0119		L-Wash. 5/16" I.D.*		58	734-0255		Air Valve (Service Only)	
6	14791		Engine Mounting Plate		59	710-0627		Hex Bolt 5/16-24 x .75" Lg.*	
7	736-0343		FI-Wash. .320" I.D. x 1.25"		60	717-0750		Transaxle Complete	
8	722-0153		Engine Mounting Grommet		61	732-0454		Brake Return Spring Anchor	
9	750-0539		Spacer		62	711-0768		Belt Guard Pin 1/4-20 Thd.	
10	710-0502		Hex Bolt 3/8-16 x 1.25" Lg.		63	726-0106		Cap Speed Nut 1/4" Dia.	
11	15930		Lower Frame Ass'y.		64	710-0751		Hex Bolt 1/4-20 x .62" Lg.— Grade 5	
12	710-0158		Hex Bolt 5/16-24 x 1.25"*		65	732-0387		Ext. Spring .50" Dia.	
13	712-0287		Hex Nut 1/4-20 Thd.*		66	732-0455		Ext. Spring .56" O.D. x 5.96"	
14	736-0329		L-Wash. 1/4" I.D.*		67	16352		Variable Speed Torque Brkt. Ass'y.	N
15	710-0726		Hex Wash. Hd. AB-Tap Scr. 5/16" x .75" Lg.		68	741-0419		Flanged Bearing	
16	15898		Belt Guard Brkt. Ass'y.		69	714-0507		Cotter Pin 3/32" Dia.*	
17	736-0242		Bell-Wash. .345" I.D. x .88"		70	748-0234		Shoulder Spacer .500" Dia. x .27" Lg.	
18	712-0267		Hex Nut 5/16-18 Thd.*		71	747-0512		Speed Control Link (30" Deck Only)	N
19	710-0190		Hex Bolt 5/16-18 x 4.00"*			747-0518		Speed Control Link	N
20	714-0114		Sq. Key 1/4" x 1/4" x 2.00"		72	741-0405		Truss Bearing .56 Dia. x 1.25"	
21	756-0423		Engine Pulley 5.56" Dia. & 3.56" Dia. (For 30" R.D. Deck)		73	720-0165		Ball Knob	
	756-0428		Engine Pulley (For 34", 36" and 38" Decks)		74	756-0437		FI-Idler Pulley 3.25" x 1.0"	
22	736-0322		FI-Wash. 7/16" I.D. x 1.25"		75	756-0408		11/16" "V"-Pulley 8.0" O.D. x .501" I.D.	
23	736-0171		L-Wash. 7/16" I.D.*		76	736-0921		L-Wash. 1/2" I.D.*	
24	710-0757		Hex Bolt 7/16-20 x 1.50" Lg.		77	712-0922		Hex Jam Nut 1/2-20 Thd.*	
25	754-0280		Variable-Speed Belt .715 x 53" Lg.		78	710-0459		Hex Bolt 3/8-24 x 1.50" Lg.*	
26	710-0621		Hex Bolt 5/16-18 x .50" Lg.*		79	754-0281		Variable Speed Belt .715 x 44" Lg.	
27	15890		Bearing Shaft Bracket		80	716-0114		Snap Ring .56" Dia.	
28	741-0295		Flanged Nylon Brg. 5/8" I.D. x .88" Lg.		81	736-0355		FI-Wash.	
29	712-0241		Hex Nut 3/8-24 Thd.*		82	717-0800		Variable Speed Pulley Ass'y. 5" O.D.	
30	15891		Idler Bracket		83	711-0766		Bearing Shaft	
31	736-0169		L-Wash. 3/8" I.D.*		84	16354		Variable Speed Brkt. Ass'y.	N
32	712-0241		Hex Nut 3/8-24 Thd.*		85	711-0474		Belt Guard Pin 1/4" Dia. x 1.68" Lg.	
33	15945		Transaxle Support Brkt.		86	14770		Transaxle Support Brkt.— R.H.	
34	732-0459		Ext. Spring .94" O.D. x 6.7			14769		Transaxle Support Brkt.— L.H. (Not Shown)	
35	714-0115		Cotter Pin 1/8" Dia. x 1.0"*		88	725-0771		Solenoid	
37	714-0111		Cotter Pin 3/32" Dia. x 1.0"*		89	16031		Shift Lever Bracket	
38	720-0143		Grip—Black		91	725-0459		Circuit Breaker	
40	710-0599		Hex Wash. Hd. Self-Tap Scr. 1/4-20 x .50" Lg.		92	710-0528		Hex Bolt 5/16-18 x 1.25" Lg.	
41	732-0435		Switch Actuator		93	710-0351		Truss Hd. Phil. Scr. #10 x 1/2" Lg.	
42	725-0268		Safety Switch		95	732-0307		Ext. Spring .99" O.D. x 11.0"	
43	710-0892		Hex Wash. Hd. AB-Tap Scr. 1/4 x .62" Lg.		96	710-0180		Hex Bolt 3/8-24 x .75" Lg.*	
44	16191		Clutch & Brake Pedal Ass'y. N		97	736-0105		Bell-Wash. .38" I.D. x .88"	
45	736-0117		FI-Wash.		98	738-0569		Shaft .56" Dia. x 3.875" Lg.	
47	747-0472		Brake Rod		99	736-0331		Bell-Wash. .39" I.D. x 1.12"	
48	735-0196		Foot Pad		100	736-0256		FI-Wash.	
49	15889		Brake Lever Bracket		101	714-0470		Cotter Pin	
50	15888		Hill Holder Brake Handle						
51	15838		Shift Lever Ass'y.						
52	710-0559		Hex Bolt 1/4-28 x 1.75" Lg.*						
53	732-0264		Ext. Spring .38" O.D. x 2.5"						

# Models 618, 620, 638, 668, 688 and 698

## PARTS LIST FOR MODELS 618, 620, 638, 668, 688 AND 698 LAWN TRACTORS (CONTINUED)

REF. NO.	PART NO.	COLOR CODE	DESCRIPTION	NEW PART	REF. NO.	PART NO.	COLOR CODE	DESCRIPTION	NEW PART
102	710-0604		Hex Wash. Hd. Scr. 5/16-18 x .62" Lg.		107	15835		Pedal Bracket	
104	736-0362		FI-Wash. .32" I.D. x 1.25"		108	714-0104		Hairpin Cotter 1/8" Dia.	
105	16067		Belt Guard		109	711-0198		Ferrule	
106	710-0323		Truss Mach. Scr. 5/16-18 x .75" Lg.*						

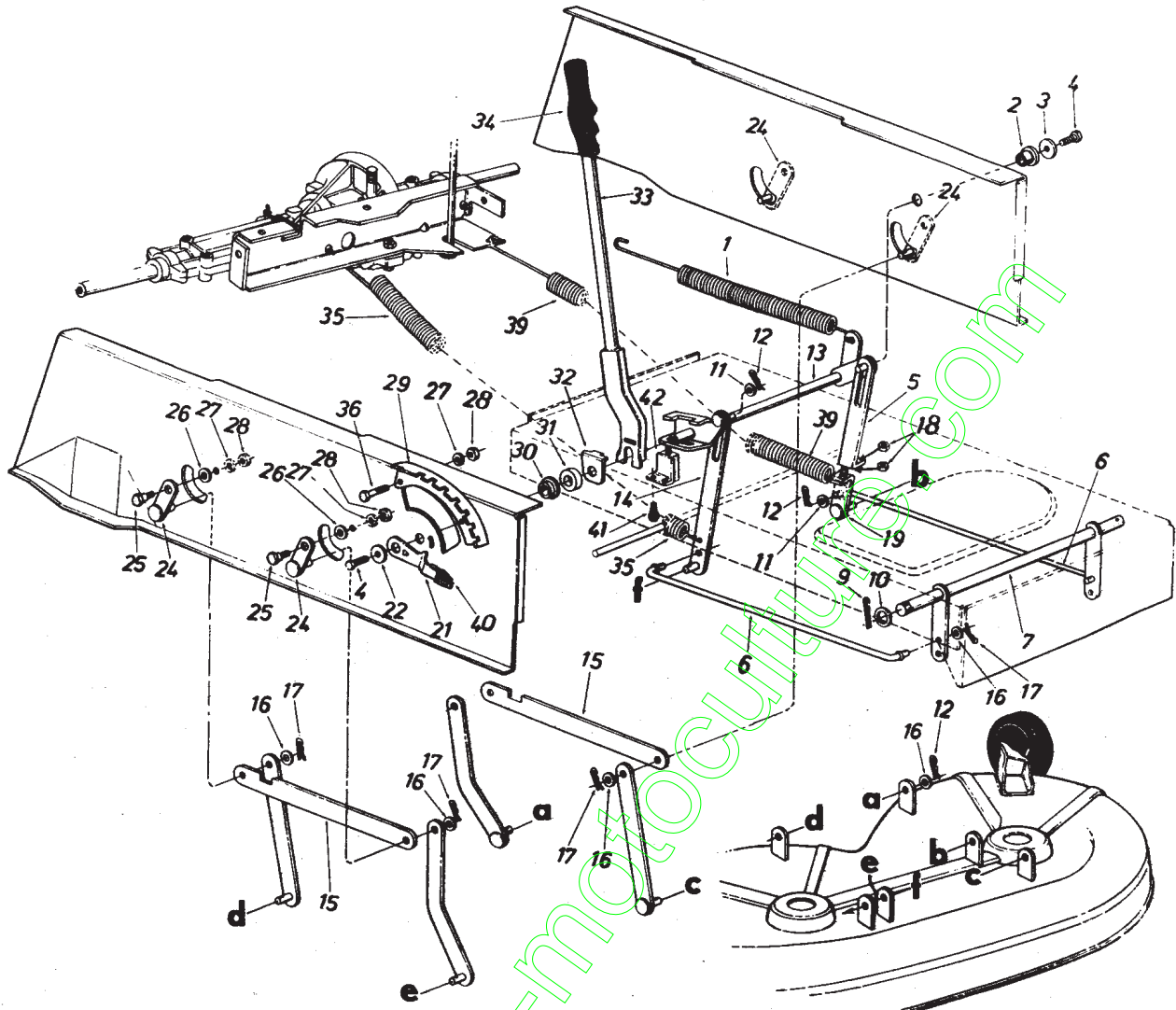
# Models 618, 620, 638, 668, 688 and 698



## PARTS LIST FOR MODELS 618, 620, 638, 668, 688 AND 698

REF. NO.	PART NO.	COLOR CODE	DESCRIPTION	NEW PART	REF. NO.	PART NO.	COLOR CODE	DESCRIPTION	NEW PART
1	710-0924		Truss Mach. Scr. 1/4-20 x .75" Lg.		6	711-0198		Ferrule 3/8-24 x .37" Dia.	
2	16237		Speed Selector Plate 4-Speed	N	7	738-0155		Shoulder Bolt .435" Dia. x .160	
	16195		Speed Selector Plate 5-Speed	N	8	16355		Speed Control Rod Ass'y.	N
	16236		Speed Selector Plate 6-Speed	N	9	714-0507		Cotter Pin 3/32" Dia. x .75" Lg.*	
	16194		Speed Selector Plate 7-Speed	N	10	736-0117		FI-Wash. .39" I.D.	
3	720-0175		Gear Shift Knob		11	736-0242		Bell-Wash. .34" I.D. x .07" O.D.	
4	16192		Speed Selector Cam Ass'y.	N	12	712-0267		Hex Nut 5/16-18 Thd.*	
5	736-0192		Flat Washer .53" I.D. x .93" O.D.		13	714-0104		Hairpin Cotter 1/8" Dia.	
					14	732-0303		Spring	N
					15	16196		Clamping Plate	N

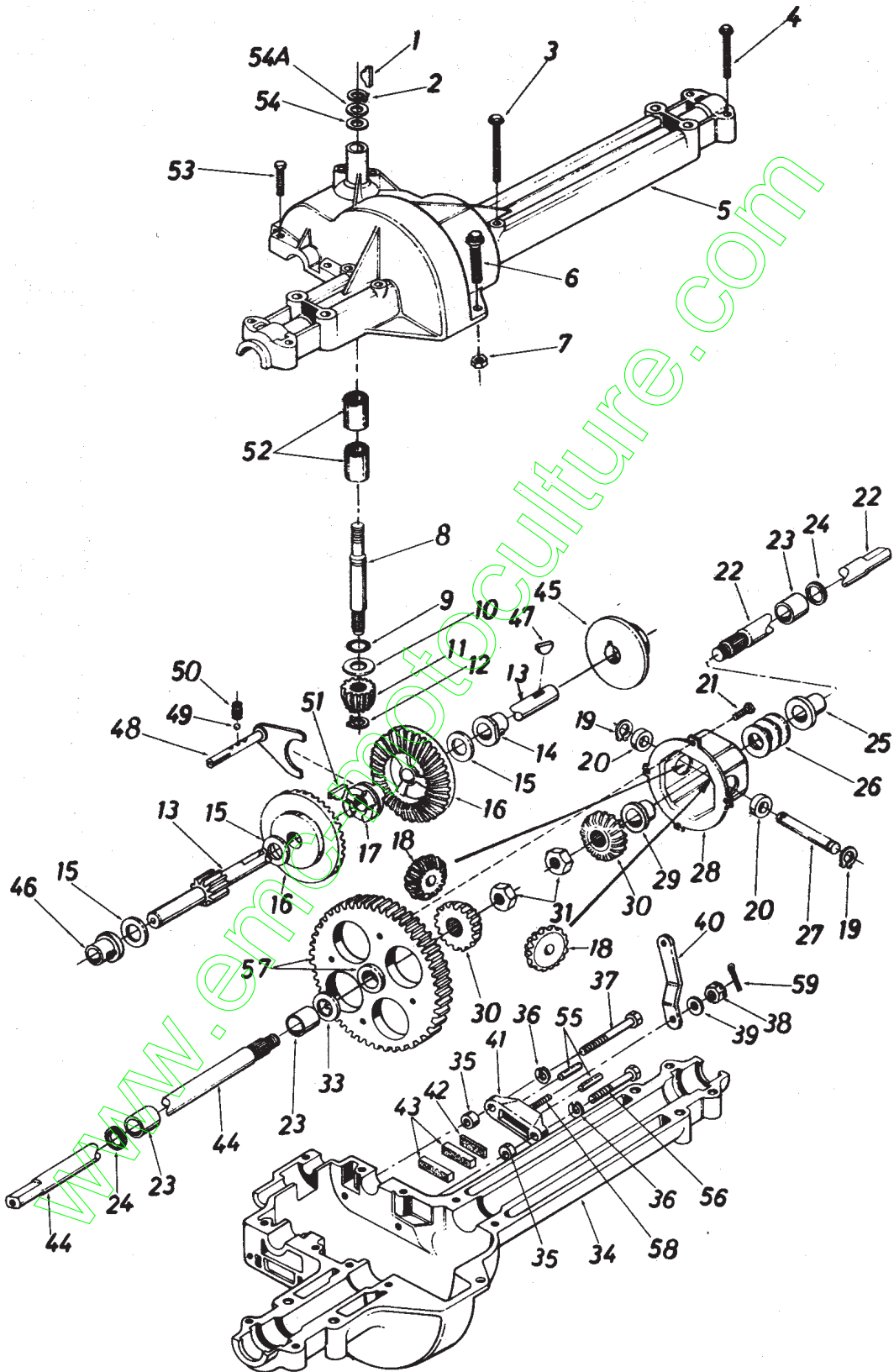
# Models 618, 620, 638, 668, 688 and 698



**PARTS LIST FOR MODELS 618, 620, 638, 668, 688 AND 698 LAWN TRACTORS**

REF. NO.	PART NO.	COLOR CODE	DESCRIPTION	NEW PART	REF. NO.	PART NO.	COLOR CODE	DESCRIPTION	NEW PART
1	732-0307		Extension Spring .99" O.D. x 11.00" Lg.		24	09721		Pivot Link Ass'y.	
2	741-0313		Flange Bearing .634" I.D.		25	738-0140		Shld. Bolt .437" Dia. x .180" Lg. (5/16-18)	
3	736-0231		FI-Wash. .344" I.D. x 1.125"		26	736-0264		FI-Wash. .344" I.D. x .62"	
4	710-0604		Hex Wash. Hd. 5/16-18 x .62" Lg.		27	736-0119		L-Wash. 5/16" I.D.*	
5	16063		Adj. Link Lift		28	712-0267		Hex Nut 5/16-18 Thd.*	
6	711-0738		Stabilizer Rod		29	14633		Index Brkt.	
7	14647		Stabilizer Shaft Ass'y.		30	736-0341		Flange Wash. .628" I.D. x 1.25" O.D.	
9	714-0470		Cotter Pin 1/8" Dia. x 1 1/4"*		31	735-0216		Rubber Wash. 1.50" O.D.	
10	736-0156		FI-Wash. .635" I.D. x 1.12"		32	14654		Retainer Washer—Lift Handle	
11	736-0192		FI-Wash. .531" I.D. x .940"		33	14645		Lift Handle Ass'y.	
12	714-0101		Inter. Cotter Pin .50" Dia.		34	720-0157		Grip (Lift Handle)	
13	14641		Lift Shaft Ass'y.		35	732-0440		Extension Spring .99" O.D. x 14.25" Lg.	
14	14802		Link Deck Lift Ass'y.		36	710-0118		Hex Bolt 5/16-18 x .75"*	
15	09735		Connecting Rod		39	732-0440		Extension Spring (30" & 36" RD Decks Only)	
16	736-0300		FI-Wash. .40" I.D. x .88"		40	08540		Knob	
17	714-0104		Inter. Cotter Pin—3/8" Rod		41	710-0351		Hex AB-Tap Scr. #10 x .50"	
18	712-0342		Hex Jam Nut 3/8-16 Thd.		42	725-0803		Safety Switch	
19	16064		Adj. Link Lift Ass'y.						
21	732-0412		Deck Lift—Down Stop						
22	736-0231		FI-Wash. .344" I.D. x 1.125" O.D. x .125						

# Models 618, 620, 638, 668, 688 and 698



**SINGLE SPEED TRANSAXLE  
MODEL 717-0750A**



# Models 618, 620, 638, 668, 688 and 698

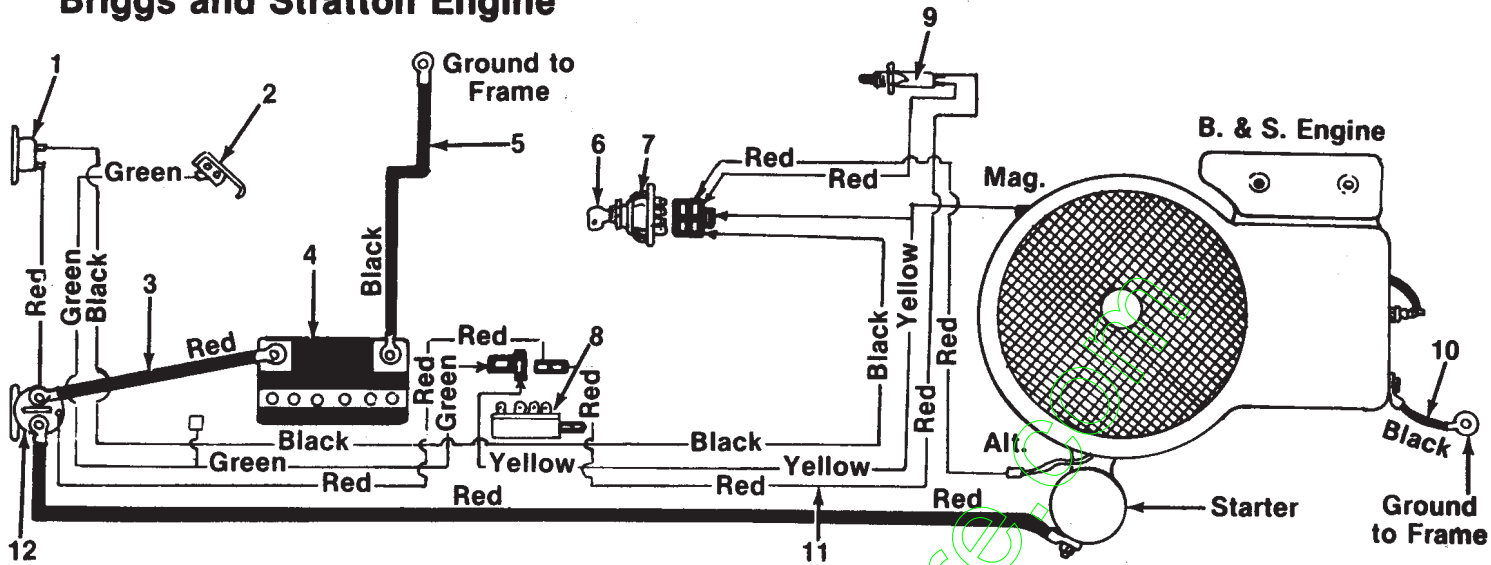
## PARTS LIST FOR SINGLE SPEED TRANSAXLE 717-0750A

REF. NO.	PART NO.	COLOR CODE	DESCRIPTION	NEW PART	REF. NO.	PART NO.	COLOR CODE	DESCRIPTION	NEW PART
1	714-0129		#4 Hi-Pro Key 3/32 x 5/8" Dia.		33	736-0188		FI-Wash. .760" I.D. x 1.49" O.D.	
2	716-0115		Snap Ring .625" Shaft		34	717-0761		Lower Housing	
3	710-0854		Hex Bolt 1/4-20 x 1.75" Lg.*		35	750-0555		Spacer .53" O.D. x 3/8" Lg.	
4	710-0809		Hex Bolt 1/4-20 x 1.25" Lg.*		36	736-0329		L-Wash. 1/4" I.D.	
5	717-0764		Upper Housing		37	710-0886		Hex Bolt 1/4-20 x 1.50" Lg. (Grade 5)	
6	710-0889		Hex FI-Bolt 1/4-20 x .88" Lg.*		38	712-0335		Castle Nut 5/16-24 Thd.*	
7	712-0287		Hex Nut 1/4-20 Thd.*		39	736-0159		FI-Wash. .344" I.D. x .875" O.D.	
8	717-0634		Input Shaft		40	717-0700		Actuating Arm—R.H.	
9	721-0178		Square Seal 5/8" I.D.		41	717-0679		Brake Yoke	
10	736-0335		Thrust Washer 5/8" I.D. x 1.25" O.D.		42	717-0682		Puck Plate	
11	717-0633		Pinion Input 14T		43	717-0678		Brake Puck	
12	716-0108		Retaining Ring 7/16" Ext.		44	717-1011		Axle L.H.	N
13	717-0758		Drive Shaft—R.H.		45	717-0677		Brake Disc	
14	741-0336		Flange Brg. 5/8" I.D. x 3/4" Lg.*		46	741-0337		Flange Bearing 5/8" I.D. x 15/16" Lg.	
15	**		FI-Wash. (See Below)		47	714-0161		Woodruff Key 3/16 x 5/8 HT	
16	717-0757		Bevel Gear 42T		48	717-0754		Shift Fork Ass'y.	
17	717-0667		Clutch Collar	N	49	741-0862		Ball Detent .250" Dia.	
18	717-1010		Miter Gear 15T		50	732-0863		Spring Detent	
19	716-0142		Snap Ring		51	714-0169		#9 Hi-Pro Key 3/16" x 3/4" Dia. HT	
20	717-0690		Thrust Bearing 1/2" I.D. x 1.0" O.D.		52	741-0335		Needle Brg. 5/8" I.D. x 1/2" Lg.	
21	710-0862		Pan Head Scr. 1/4-20 x .50" Lg. w/Patch		53	710-0855		Hex Bolt 1/4-20 x 1.00" Lg.	
22	717-1012		Axle R.H.	N	54	736-0336		FI-Wash. 5/8" I.D. x .030	
23	741-0340		Sleeve Bearing 3/4" I.D. x 1.0" Lg.		54A	736-0337		FI-Wash. 5/8" I.D. x .040	
24	721-0179		Oil Seal 3/4" I.D.		55	741-0343		Actuating Pin 5/16" Dia.	
25	741-0339		Flange Bearing 3/4" I.D. x 15/16" Lg.		56	710-0886		Hex Bolt 1/4-20 x 1.50" Lg. (Grade 5)	
26	736-0188		FI-Wash. .760" I.D. x 1.49" O.D.		57	717-0767		Differential Gear 72T Ass'y. w/Bearing	N
27	717-0673		Cross Shaft		58	717-0681		Sq. Hd. Bolt 5/16-24 Thd.	
28	717-0777		Differential Housing Ass'y.		59	1544-013		Cotter Pin 3/32" Dia. x .50" Lg.	
29	—		Comes with Ref. 28						
30	717-1009		Miter Gear	N					
31	712-0200		Hex Ins. L-Nut 1/2-20 Thd.			737-0148		Grease—Shell (10 oz.)	

\*\*Ref. No. 15 736-0349 FI-Wash. 5/8" I.D. x 1.0" O.D. x .020 Thk.  
736-0336 FI-Wash. 5/8" I.D. x 1.0" O.D. x .030 Thk.  
736-0337 FI-Wash. 5/8" I.D. x 1.0" O.D. x .040 Thk.

# Models 618 and 668 (without headlights)

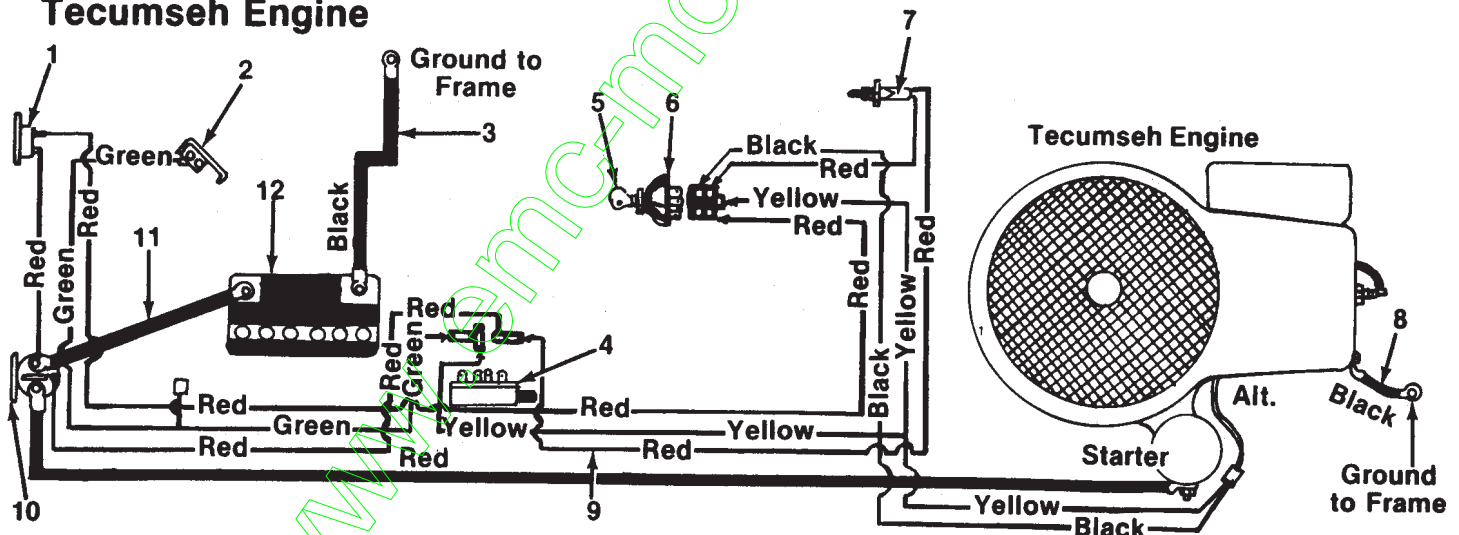
## Briggs and Stratton Engine



**PARTS LIST FOR ELECTRICAL SYSTEM— BRIGGS AND STRATTON ENGINE**

REF. NO.	PART NO.	DESCRIPTION	REF. NO.	PART NO.	DESCRIPTION
1	725-0459	Circuit Breaker	7	725-0267	Ignition Switch
2	725-0759	Reverse Safety Switch	8	725-0803	Safety Switch (P.T.O.)
3	725-0926	Electric Wire w/Boot (Positive)	9	725-0268	Safety Switch (Clutch)
4	725-0514	12V-Battery	10	725-0976	Ground Wire 7.25" Lg. (Engine)
5	725-0975	Ground Wire 9.0" Lg. (Negative)	11	725-0948	Wire Harness
6	725-0201	Ignition Key	12	725-0771	Solenoid

## Tecumseh Engine

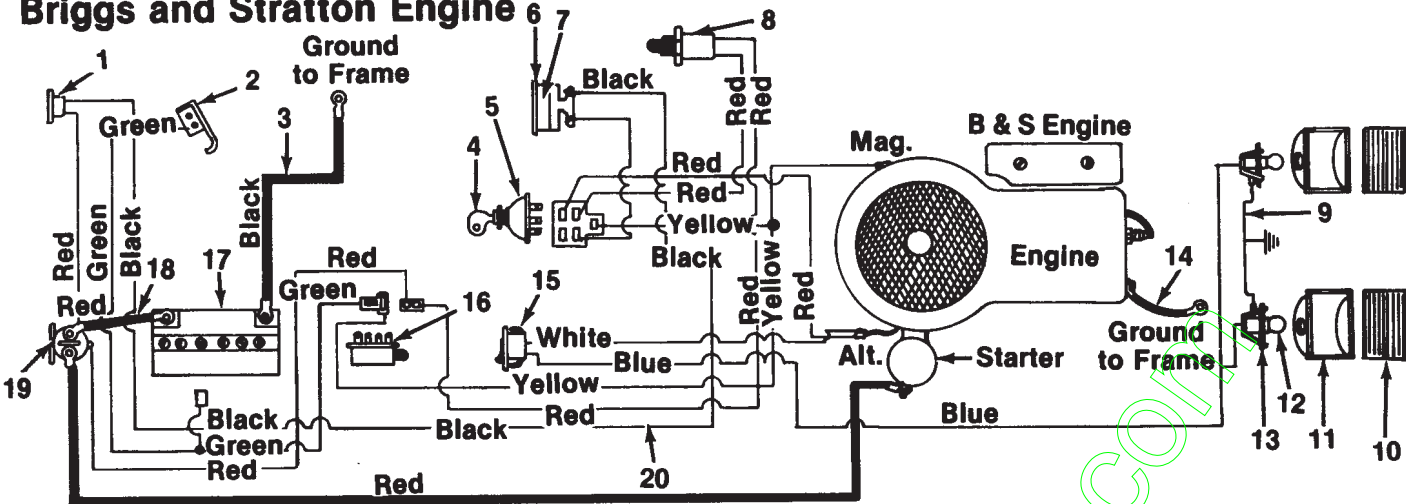


**PARTS LIST FOR ELECTRICAL SYSTEM— TECUMSEH ENGINE**

REF. NO.	PART NO.	DESCRIPTION	REF. NO.	PART NO.	DESCRIPTION
1	725-0459	Circuit Breaker	8	725-0976	Ground Wire 7.25" Lg. (Black)
2	725-0759	Spring Switch (Reverse)	9	725-0968	Wire Harness
3	725-0975	Ground Wire 9.0" Lg. (Negative—Black)	10	725-0771	Solenoid
4	725-0803	Safety Switch (P.T.O.)	11	725-0926	Electric Wire w/Boot (Positive—Red)
5	725-0102	Ignition Key	12	725-0514	12V-Battery
6	725-0267	Ignition Switch			
7	725-0268	Safety Switch (Clutch)			

# Models 618 and 668 (with headlights)

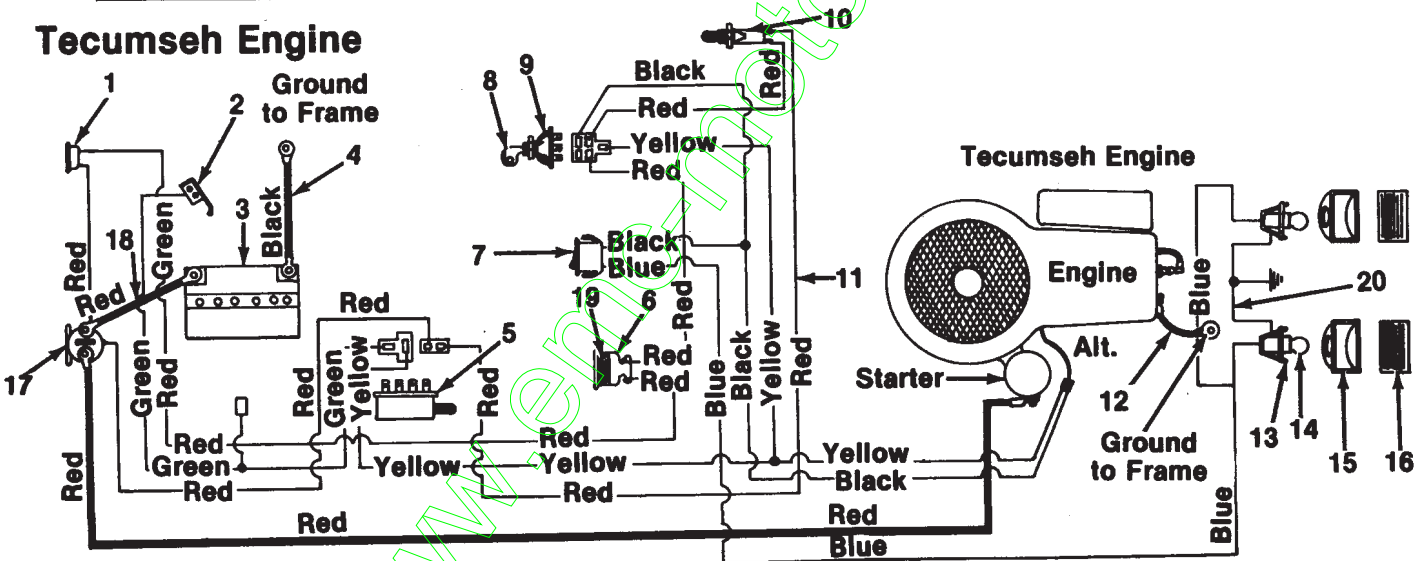
## Briggs and Stratton Engine



**PARTS LIST FOR ELECTRICAL SYSTEM— BRIGGS AND STRATTON ENGINE**

REF. NO.	PART NO.	DESCRIPTION	REF. NO.	PART NO.	DESCRIPTION
1	725-0459	Circuit Breaker	11	731-0705	Headlight Housing
2	725-0759	Spring-Switch—Reverse	12	725-0963	Lamp
3	725-0975	Ground Wire 9.0" Lg.	13	725-1058	Socket
4	725-0201	Ignition Key	14	725-0976	Ground Wire 7.25" Lg.
5	725-0267	Ignition Switch	15	725-0634	Light Switch
6	725-0925	Ammeter	16	725-0803	Safety Switch
7	722-0135	Foam Strip	17	725-0514	Battery
8	725-0268	Safety Switch	18	725-0926	Electric Wire w/Boot
9	725-0916	Ground Wire	19	725-0771	Solenoid
10	731-0706	Lens	20	725-0945	Wire Harness

## Tecumseh Engine

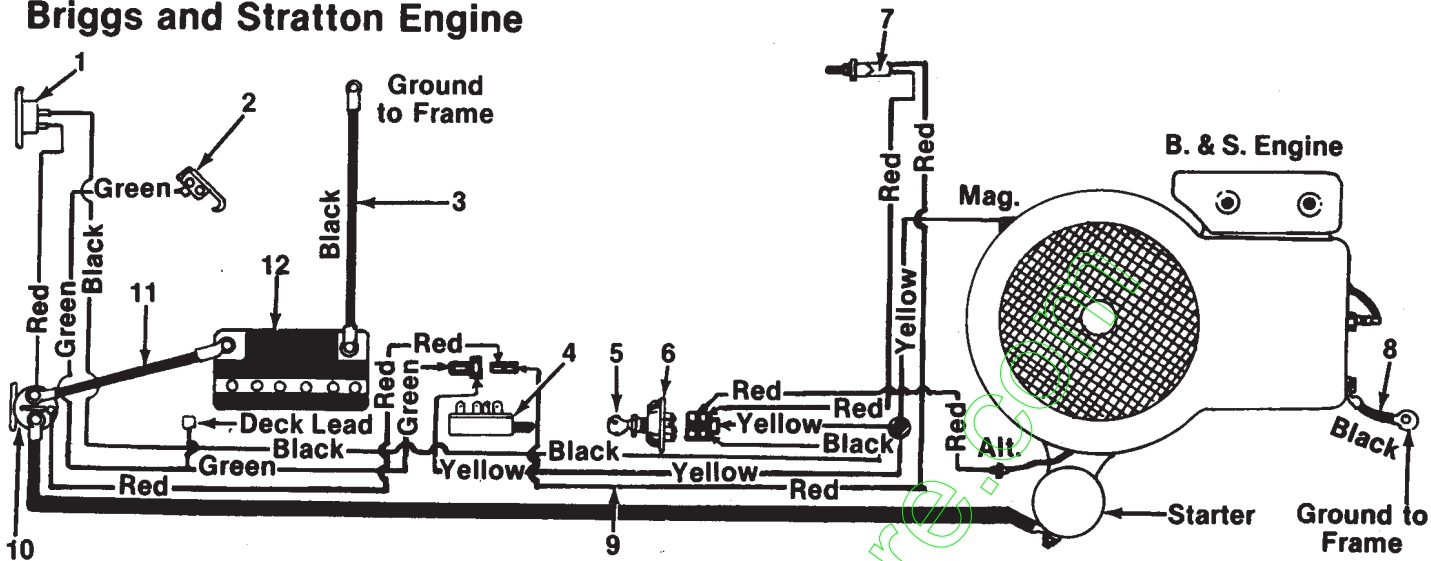


**PARTS LIST FOR ELECTRICAL SYSTEM— TECUMSEH ENGINE**

REF. NO.	PART NO.	DESCRIPTION	REF. NO.	PART NO.	DESCRIPTION
1	725-0459	Circuit Breaker	11	725-1062	Wire Harness
2	725-0759	Spring Switch (Reverse)	12	725-0976	Ground Wire 7.25" Lg.
3	725-0514	Battery	13	725-1058	Twist Lock Lamp Socket
4	725-0975	Ground Wire 9.0" Lg.	14	725-0963	Lamp
5	725-0803	Safety Switch	15	731-0705	Headlight Housing
6	725-0925	Ammeter	16	731-0706	Lens
7	725-0634	Light Switch	17	725-0771	Solenoid
8	725-0201	Ignition Key	18	725-0926	Electric Wire w/Boot
9	725-0267	Ignition Switch	19	722-0135	Foam Strip
10	725-0268	Safety Switch	20	725-0916	Ground Wire

# Models 620, 638, 688 and 698 (without headlights)

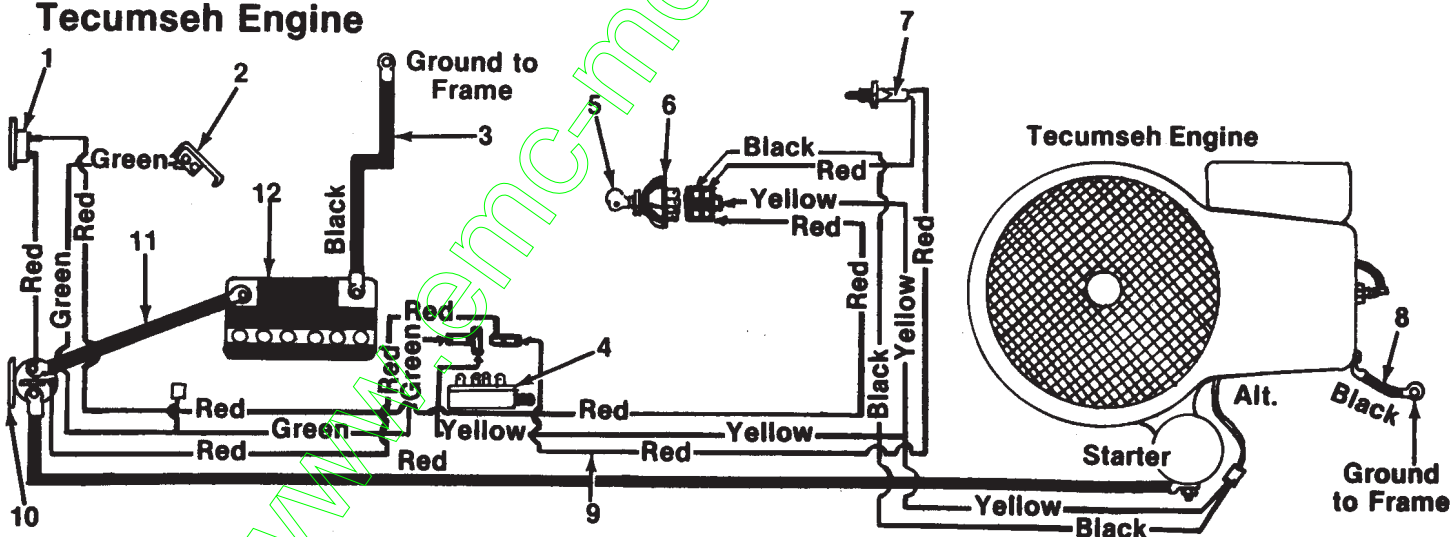
## Briggs and Stratton Engine



**PARTS LIST FOR ELECTRICAL SYSTEM— BRIGGS AND STRATTON ENGINE**

REF. NO.	PART NO.	DESCRIPTION	REF. NO.	PART NO.	DESCRIPTION
1	725-0459	Circuit Breaker	8	725-0976	Ground Wire 7.25" Lg. (Engine—Black)
2	725-0759	Spring Switch (Reverse)	9	725-0937	Wire Harness
3	725-0975	Ground Wire 9.0" Lg. (Negative—Black)	10	725-0771	Solenoid
4	725-0803	Safety Switch (P.T.O.)	11	725-0927	Electric Wire w/Boot (Positive—Red)
5	725-0201	Ignition Key	12	725-0514	12V-Battery
6	725-0267	Ignition Switch			
7	725-0268	Safety Switch (Clutch)			

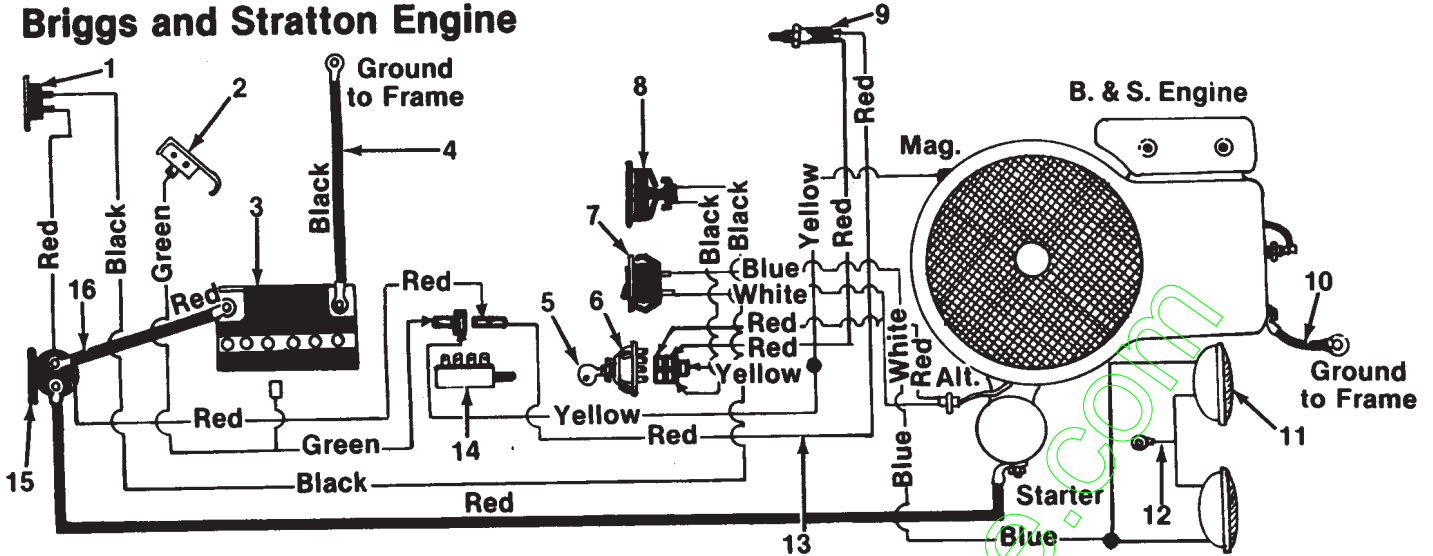
## Tecumseh Engine



**PARTS LIST FOR ELECTRICAL SYSTEM— TECUMSEH ENGINE**

REF. NO.	PART NO.	DESCRIPTION	REF. NO.	PART NO.	DESCRIPTION
1	725-0459	Circuit Breaker	8	725-0976	Ground Wire 7.25" Lg. (Black)
2	725-0759	Spring Switch (Reverse)	9	725-0968	Wire Harness
3	725-0975	Ground Wire 9.0" Lg. (Negative—Black)	10	725-0771	Solenoid
4	725-0803	Safety Switch (P.T.O.)	11	725-0926	Electric Wire w/Boot (Positive—Red)
5	725-0102	Ignition Key	12	725-0514	12V-Battery
6	725-0267	Ignition Switch			
7	725-0268	Safety Switch (Clutch)			

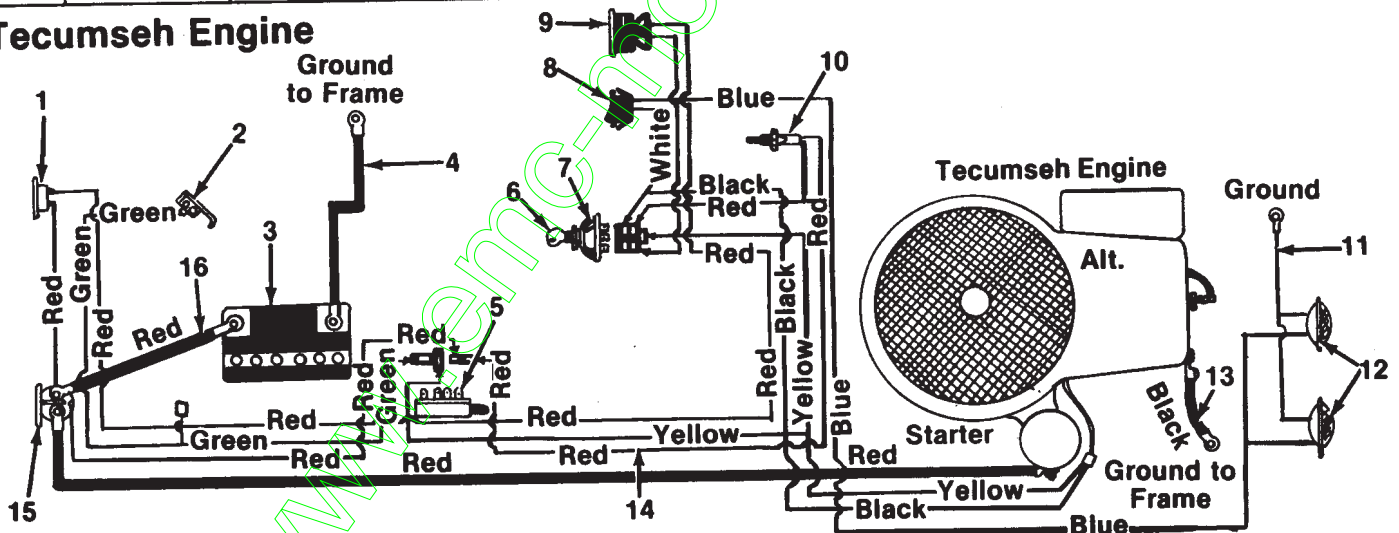
# Models 620, 638, 688 and 698 (with headlights) Briggs and Stratton Engine



**PARTS LIST FOR ELECTRICAL SYSTEM — BRIGGS AND STRATTON ENGINE**

REF. NO.	PART NO.	DESCRIPTION	REF. NO.	PART NO.	DESCRIPTION
1	725-0459	Circuit Breaker	9	725-0268	Safety Switch (Clutch)
2	725-0759	Spring Switch (Reverse Safety)	10	725-0976	Ground Wire 7.25" Lg. (Black—Engine)
3	725-0514	12V-Battery	11	725-0222	Headlight
4	725-0975	Grounding Wire 9.0" Lg. (Black—Negative)	12	725-0916	Ground Wire (Headlight)
5	725-0201	Ignition Key	13	725-0939	Wire Harness
6	725-0267	Ignition Switch	14	725-0803	Safety Switch (P.T.O.)
7	725-0634	Headlight Switch	15	725-0771	Solenoid
8	725-0925	Ammeter	16	725-0926	Electric Wire w/Boot (Red—Positive)

## Tecumseh Engine



**PARTS LIST FOR ELECTRICAL SYSTEM — TECUMSEH ENGINE**

REF. NO.	PART NO.	DESCRIPTION	REF. NO.	PART NO.	DESCRIPTION
1	725-0459	Circuit Breaker	10	725-0268	Safety Switch (Clutch)
2	725-0759	Spring Switch (Reverse)	11	725-0916	Ground Wire (Headlights)
3	725-0514	12V-Battery	12	725-0222	Headlights
4	725-0975	Ground Wire 9.0" Lg. (Negative—Black)	13	725-0976	Ground Wire 7.25" Lg. (Black)
5	725-0803	Safety Switch (P.T.O.)	14	725-1035	Wire Harness
6	725-0201	Ignition Key	15	725-0771	Solenoid
7	725-0267	Ignition Switch	16	725-0926	Electric Wire w/Boot (Positive—Red)
8	725-0634	Light Switch			
9	725-0925	Ammeter			

# PARTS INFORMATION

## POWER EQUIPMENT PARTS AND SERVICE

Parts and service are available through the authorized service firms listed below. All orders should specify the model number of your unit, part numbers, description of parts and the quantity of each part required.

**NOTE:** If any parts are found to be missing or defective upon assembly of this unit, write to advise the factory so that immediate replacement can be made.

<b>ALABAMA</b>	<b>BIRMINGHAM</b>	<b>CARROLL</b>
Auto Electric & Carburetor Co. . . . .	2625 4th Ave. S. . . . .	35233
<b>ARKANSAS</b>	<b>NORTH LITTLE ROCK</b>	<b>CLEVELAND</b>
Sutton's Lawn Mower Shop . . . . .	5301 Roundtop Drive	Bleckrie, Inc. . . . .
	Box 368, Rt. 4 . . . . .	7900 Lorain Ave. . . . .
		44102
<b>CALIFORNIA</b>	<b>PORTERVILLE</b>	<b>WADSWORTH</b>
Billious . . . . .	75 North D Street . . . . .	687 Seville Rd. . . . .
		44281
<b>COLORADO</b>	<b>DENVER</b>	<b>YOUNGSTOWN</b>
Spitzer Industrial Products Co. . . . .	6601 N. Washington St. . . . .	1301 Logan Ave.
		Box 929 . . . . .
		44501
<b>FLORIDA</b>	<b>JACKSONVILLE</b>	<b>OKLAHOMA</b>
Radco Distributors . . . . .	4909 Victor St. Box 5459 . . . . .	Victory Motors, Inc. . . . .
		605 S. Cherokee . . . . .
		74401
	<b>HIALEAH</b>	<b>OREGON</b>
Small Eng. Dist. . . . .	7995 W. 26th Court . . . . .	Kenton Supply Co. . . . .
		8216 N. Denver Ave. . . . .
		97217
<b>GEORGIA</b>	<b>EAST POINT</b>	<b>PENNSYLVANIA</b>
East Point Cycle & Key Inc. . . . .	2834 Church St. . . . .	EECO Inc. . . . .
		4021 N. 6th St. . . . .
		17110
<b>ILLINOIS</b>	<b>LYONS</b>	<b>PHILADELPHIA</b>
Keen Edge Co. . . . .	8615 Ogden Ave. . . . .	5222-24 N. Fifth St. . . . .
		19120
<b>INDIANA</b>	<b>ELKHART</b>	<b>PITTSBURGH</b>
Parts & Sales Inc. . . . .	2101 Industrial Pkwy. . . . .	11125 Frankstown Rd. . . . .
		15235
	<b>DUBUQUE</b>	<b>PUNXSUTAWNEY</b>
Power Lawn & Garden Equip. . . . .	2551 J.F. Kennedy . . . . .	R.D. 2 . . . . .
		15767
<b>LOUISIANA</b>	<b>NEW ORLEANS</b>	<b>SCRANTON</b>
Suhren Engine Co. . . . .	8330 Earhart Blvd. . . . .	1133-35 Wyoming Ave. . . . .
		18509
<b>MARYLAND</b>	<b>TAKOMA PARK</b>	<b>KNOXVILLE</b>
Center Supply Co. . . . .	6867 New Hampshire Ave. . . . .	2000 Western Ave. . . . .
		37921
		<b>MEMPHIS</b>
	<b>SPRINGFIELD</b>	3035-43 Bellbrook . . . . .
	300 Birnie Ave. . . . .	38116
<b>MICHIGAN</b>	<b>LANSING</b>	<b>TEXAS</b>
Lorenz Service Co. . . . .	2500 S. Pennsylvania . . . . .	Marr Brothers, Inc. . . . .
		423 E. Jefferson . . . . .
		75203
	<b>MOUNT CLEMENS</b>	<b>FORT WORTH</b>
Power Equipment Dist. . . . .	340 Hubbard . . . . .	6733 Baker Blvd.
		Hwy. 10 . . . . .
		76118
<b>MINNESOTA</b>	<b>HOPKINS</b>	<b>HOUSTON</b>
Hance Distributing Inc. . . . .	420 Excelsior Ave. W. . . . .	2409 Commerce St. . . . .
		77003
<b>MISSISSIPPI</b>	<b>BILOXI</b>	<b>SAN ANTONIO</b>
Biloxi Sales & Service, Inc. . . . .	506 Caillavet St. . . . .	8610 Botts Lane
		P.O. Box 17867 . . . . .
		78217
<b>MISSOURI</b>	<b>KANSAS CITY</b>	<b>BOUNTIFUL</b>
Automotive Equip. Service . . . . .	3117 Holmes St. . . . .	485 N 500 W. . . . .
		84010
	<b>ST. JOSEPH</b>	<b>ASHLAND</b>
Ross-Frazier Supply Co. . . . .	8th and Monterey . . . . .	101 Cedar Ridge Dr. . . . .
		23005
	<b>ST. LOUIS</b>	<b>SEATTLE</b>
Henzler, Inc. . . . .	2015 Lemay Ferry Rd. . . . .	Equip. Northwest . . . . .
		1410 14th Ave. . . . .
		98122
<b>NEW JERSEY</b>	<b>BELLMAWR</b>	<b>WISCONSIN</b>
Lawnmower Parts Inc. . . . .	717 Creek Rd. . . . .	Horst Dist. Inc. . . . .
		444 N. Madison St. . . . .
		53014
<b>NEW MEXICO</b>	<b>ALBUQUERQUE</b>	<b>NORTH CAROLINA</b>
Spitzer Eng. & Parts Co. . . . .	1023 Third Ave. N.W. . . . .	Smith Hardware Co. . . . .
		515 N. George St. . . . .
		27530
<b>NEW YORK</b>	<b>CARTHAGE</b>	<b>GREENSBORO</b>
Gamble Dist., Inc. . . . .	West End Ave. . . . .	335 N. Green . . . . .
		27402

## WARRANTY PARTS AND SERVICE POLICY

(0484)

The purpose of warranty is to protect the customer from defects in workmanship and materials, defects which are NOT detected at the time of manufacture. It does not provide for the unlimited and unrestricted replacement of parts. Use and maintenance are the responsibility of the customer. The manufacturer cannot assume responsibility for conditions over which it has no control. Simply put, if it's the manufacturer's fault, it's the manufacturer's responsibility; if it's the customer's fault, it's the customer's responsibility.

### CLAIMS AGAINST THE MANUFACTURER'S WARRANTY INCLUDES:

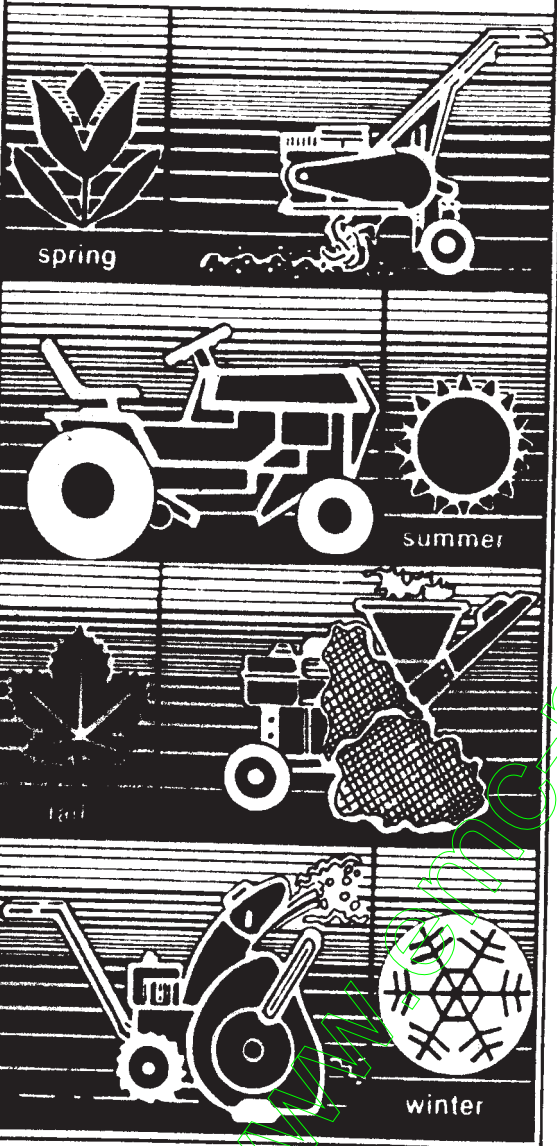
1. Replacement of Missing Parts on new equipment.
2. Replacement of Defective Parts within the warranty period.
3. Repair of Defects within the warranty period.

All claims MUST be substantiated with the following information:

1. Model Number of unit involved.
2. Date unit was purchased or first put into service.
3. Date of failure.
4. Nature of failure.

# OWNER'S GUIDE

OUTDOOR POWER EQUIPMENT  
for all seasons



## 34" AND 38" SIDE DISCHARGE MOWING DECKS

for  
**Model 600 Series  
Lawn Tractors**

**Model Numbers  
195-800-000  
195-801-000**

698

**Important:**

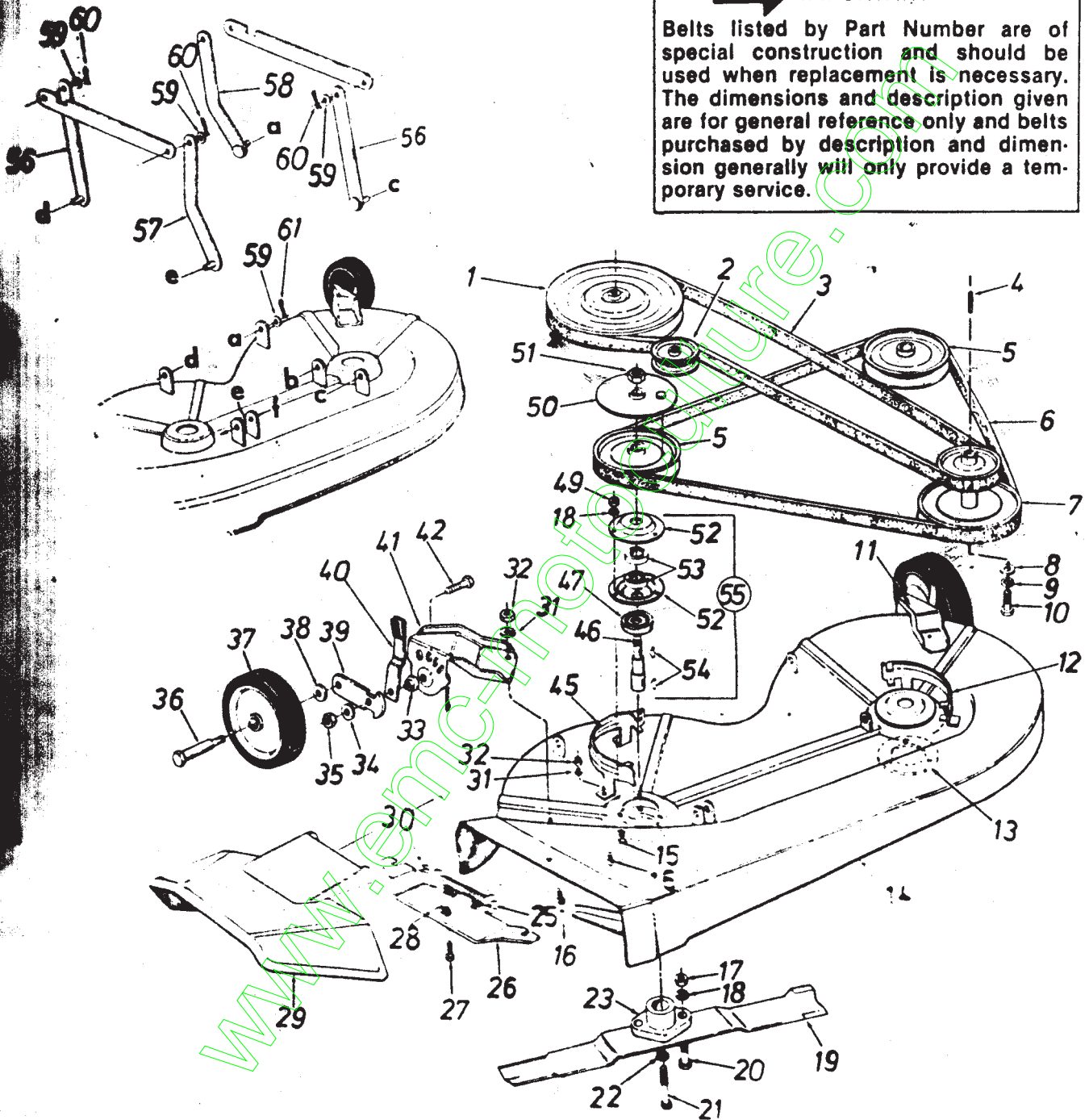
**Read Safety Rules and  
Instructions in Lawn Tractor  
Owner's Guide Carefully.**

Thank you for purchasing  
an American-built product.

# Models 800 and 801 Decks

## 34" and 38" Side Discharge Mowing Decks Model 600 Series Lawn Tractor

**▶ IMPORTANT**  
Belts listed by Part Number are of special construction and should be used when replacement is necessary. The dimensions and description given are for general reference only and belts purchased by description and dimension generally will only provide a temporary service.



same 34"  
" 38"



# Models 800 and 801 Decks

## PARTS LIST FOR 34" and 38" MOWING DECKS

REF. NO.	PART NO.	COLOR CODE	DESCRIPTION	NEW PART	REF. NO.	PART NO.	COLOR CODE	DESCRIPTION	NEW PART
1	756-0374		Transaxle Pulley†		27	710-0599		Hex Wash. Self-Tap Scr. ¼-20 x .50" Lg.	
2	756-0225		Flat Idler Pulley 3/8" L.D. x 2.75" O.D.†		28	732-0261		Torsion Spring	
3	754-0266		"V"-Belt "A" Glass 85" Lg. Bare Back		29	11633		Chute Cover Ass'y.—Comp.	
4	714-0114		Sq. Key ¼" x ¼" x 2.0" Lg.†		30	726-0106		Push Nut ¼" Rod	
5	756-0251		Pulley 4.75" O.D.		31	736-0329		L-Wash. ¼" I.D.*	
6	754-0151		"V"-Belt 21/32 x 67" Lg. (34" Deck)		32	712-0287		Hex Nut ¼-20 Thd.*	
	754-0145		"V"-Belt 21/32 x 69" Lg. (38" Deck)		33	748-0279		Shld. Spacer	
7	—		See Lawn Tractor Manual†		34	736-0219		Bell Wash. .400" I.D. x 1.13"	
8	736-0322		Fl-Wash. 7/16" I.D. x 1.25 O.D. x .180†		35	712-0181		Hex Top L-Nut 3/8-16 Thd.†	
9	736-0171		L-Wash. 7/16" I.D.*†		36	738-0373		Shld. Bolt .498" Dia. x 1.33"	
10	710-0757		Hex Bolt 7/16-20 x 1.50" Lg.*†		37	734-0973		Plastic Wheel 5.0" x 1.38"†	
11	09082		Wheel Brkt.—L.H.		38	736-0105		Bell Wash. .400" I.D. x .86"	
12	12672		Belt Guard—L.H.		39	10937		Pivot Bar	
13	09164		Plate Deck Reinforcement		40	14082		Spring Lever Ass'y. w/Knob	
14	14658		34" Deck Ass'y.		41	09080		Wheel Brkt.—R.H.	
	14776		34" Deck Ass'y. Comp. (Service Only)		42	710-0253		Hex Bolt 3/8-16 x 1.00" Lg.*	
	14667		38" Deck Ass'y.		45	12673		Belt Guard—R.H.	
	14777		38" Deck Ass'y. Comp. (Service Only)		46	711-0255		Blade Spindle	
15	710-0322		Hex Sems Bolt 5/16-18 x 1.00" Lg.*		47	13703		Bearing Shield	
16	710-0289		Hex Bolt ¼-20 x .50" Lg.*		49	712-0267		Hex Nut 5/16-18 Thd.*	
17	712-0123		Hex Nut 5/16-24 Thd.*		50	09322		Brake Disc	
18	736-0119		L-Wash. 5/16" I.D.*		51	712-0261		Hex Jam L-Nut 5/8-11 Thd.	
19	742-0120		17" Blade (34" Deck)		52	08253		Bearing Housing	
	742-0122		19" Blade (38" Deck)		53	741-0919		Ball Bearing .787" I.D. x 1.85" O.D.	
20	710-0888		Hex Bolt 5/16-24 x 1.00" Lg. (Grade 5)		54	714-0365		#6 Hi-Pro Key 5/32" x 5/8" Dia.	
21	710-0459		Hex Bolt 3/8-24 x 1.50" Lg. (Grade 5)		55	09321		Blade Spindle Ass'y.	
22	736-0217		L-Wash. 3/8" I.D. (Heavy Duty)		56	14804		Link Deck Hanger Ass'y.†	
23	10769		Blade Adapter Kit		57	14800		Link Deck Hanger Ass'y. (Dog Leg)†	
25	711-0571		Hinge Pin		58	15925		Link Deck Hanger Ass'y.— L.H.†	
26	11396		Adapter Plate		59	736-0192		Fl-Wash. .53" I.D. x .93" O.D.†	
					60	714-0104		Inter. Cotter Pin 3/8" Dia.†	
					61	714-0101		Inter. Cotter Pin .50" Dia.†	
					—	761-0168		Blade Brake Assembly (34" Deck)†	
					—	761-0169		Blade Brake Assembly (38" Deck)†	

\*For faster service obtain standard nuts, bolts and washers locally. If these items cannot be obtained locally, order by part number and size as shown on parts list.

†Not part of deck assembly complete.



NOTE

Specifications subject to change without notice or obligation.

REFER TO THE LAWN TRACTOR OWNER'S MANUAL FOR SAFE OPERATION PRACTICES, AND CORRECT OPERATION AND MAINTENANCE INSTRUCTIONS. READ INSTRUCTIONS CAREFULLY.

### DECK BELT REMOVAL AND REPLACEMENT

1. Place the lift lever in the disengaged position.
2. Remove the two hex bolts (belt keepers) from the engine pulley belt guard. See figure 1.



Figure 1 is shown with the unit tipped up for clarity. It is not necessary to tip the unit to remove the belts.

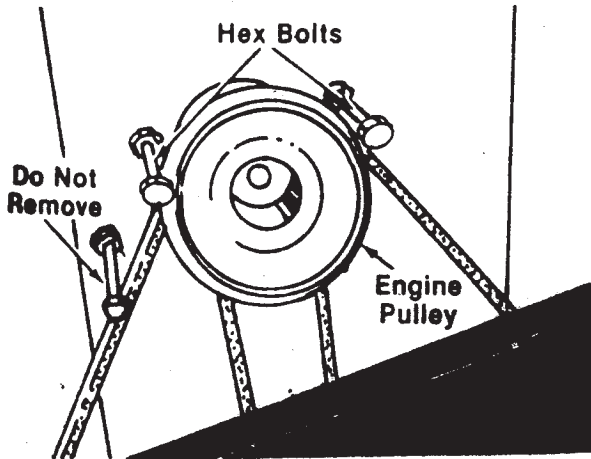


FIGURE 1.

3. Unhook the deck belt from the engine pulley.
4. Place the lift lever in the engaged (all the way forward) position.

5. Disconnect the six deck links by removing the hairpin cotters and flat washers.
6. Slide the deck from beneath the lawn tractor.
7. Remove the belt guards at each deck pulley by removing the hex bolts, lock washers and hex nuts. See figure 2.

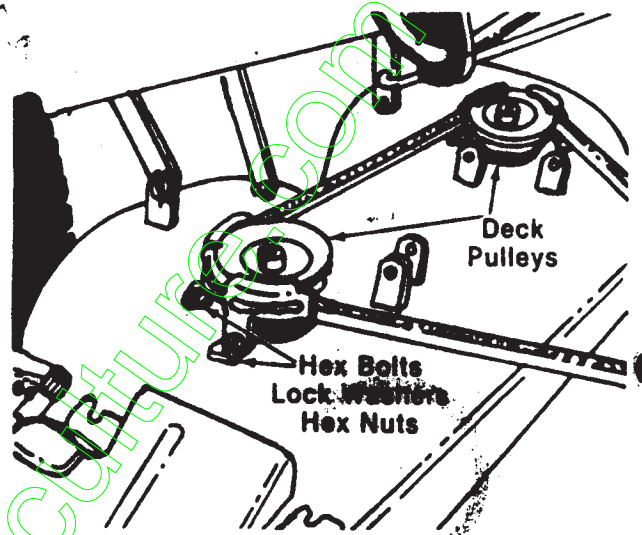


FIGURE 2.

8. Remove and replace the belt, following the instructions in reverse order.