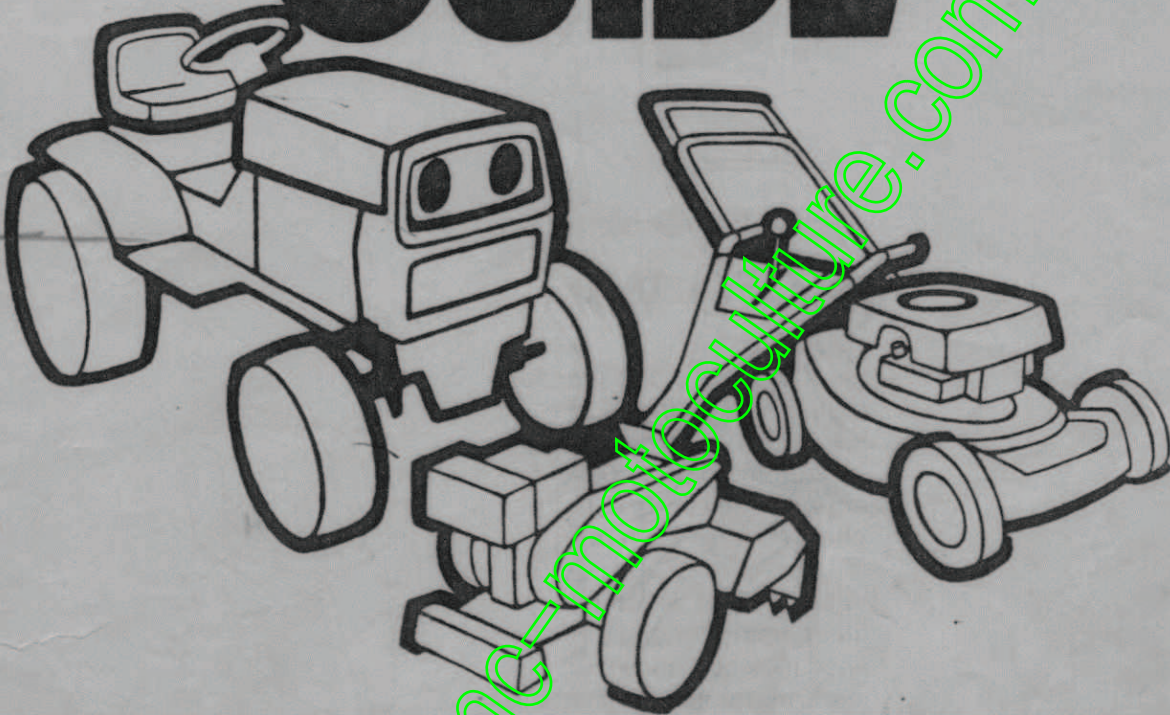


Model 656 = style 7

\$1.00

Full

OWNER'S GUIDE



**TRANSMATIC
FRONT
ENGINE
LAWN
TRACTORS**

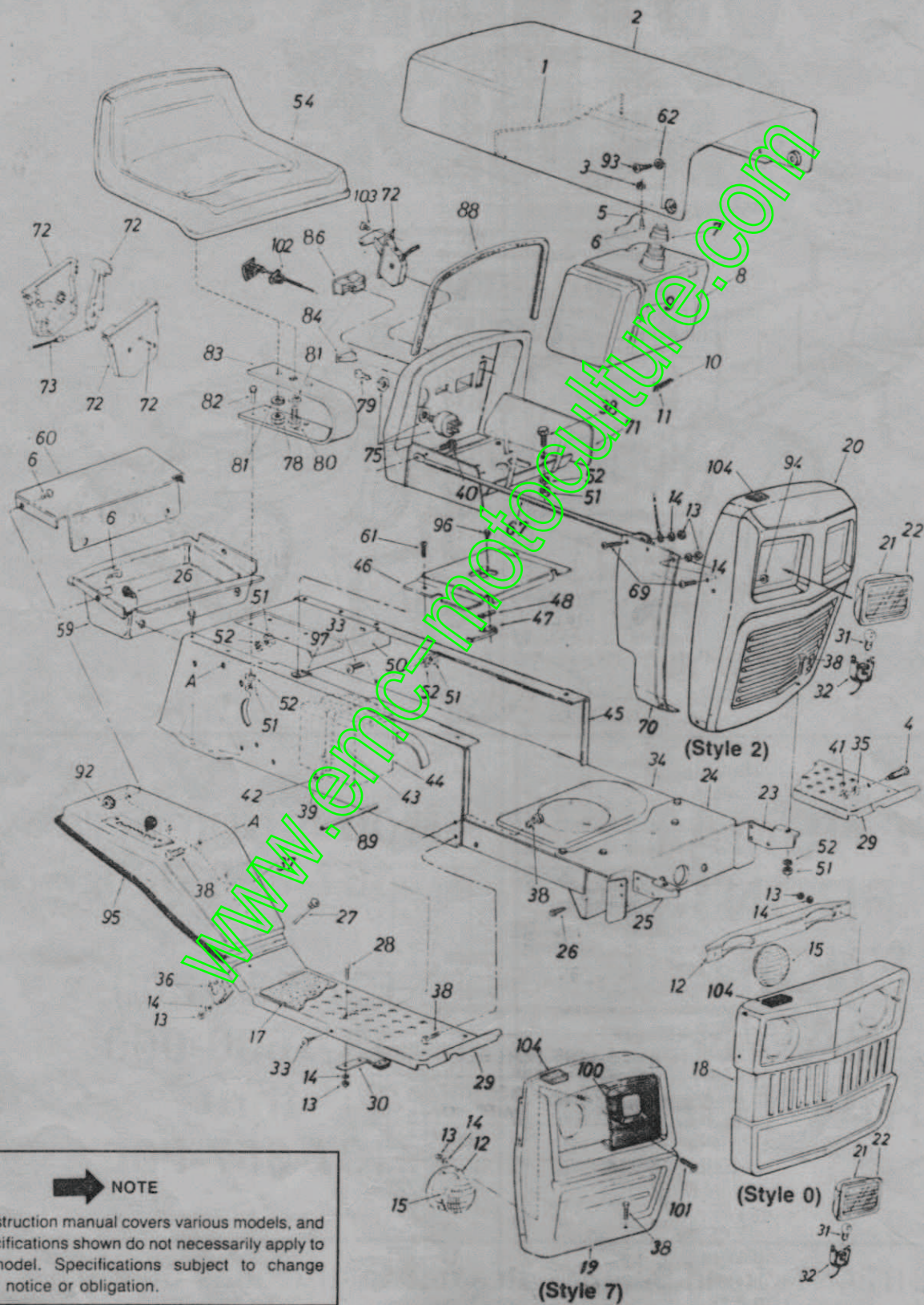
**Model Numbers
137-530-000
thru
137-567-000;
137-600-000
thru
137-657-000**

IMPORTANT: Read Safety Rules and Instructions Carefully

Thank you for purchasing an American-built product.

FORM NO. 770-5905B

- Style 0** (Models 530, 540, 550, 560, 600, 610, 630, 640, 650)
Style 2 (Models 532, 542, 552, 562, 602, 612, 632, 642, 652)
Style 7 (Models 537, 547, 557, 567, 607, 617, 637, 647, 657)



NOTE

This instruction manual covers various models, and all specifications shown do not necessarily apply to your model. Specifications subject to change without notice or obligation.

Style 0 (Models 530, 540, 550, 560, 600, 610, 630, 640, 650)

Style 2 (Models 532, 542, 552, 562, 602, 612, 632, 642, 652)

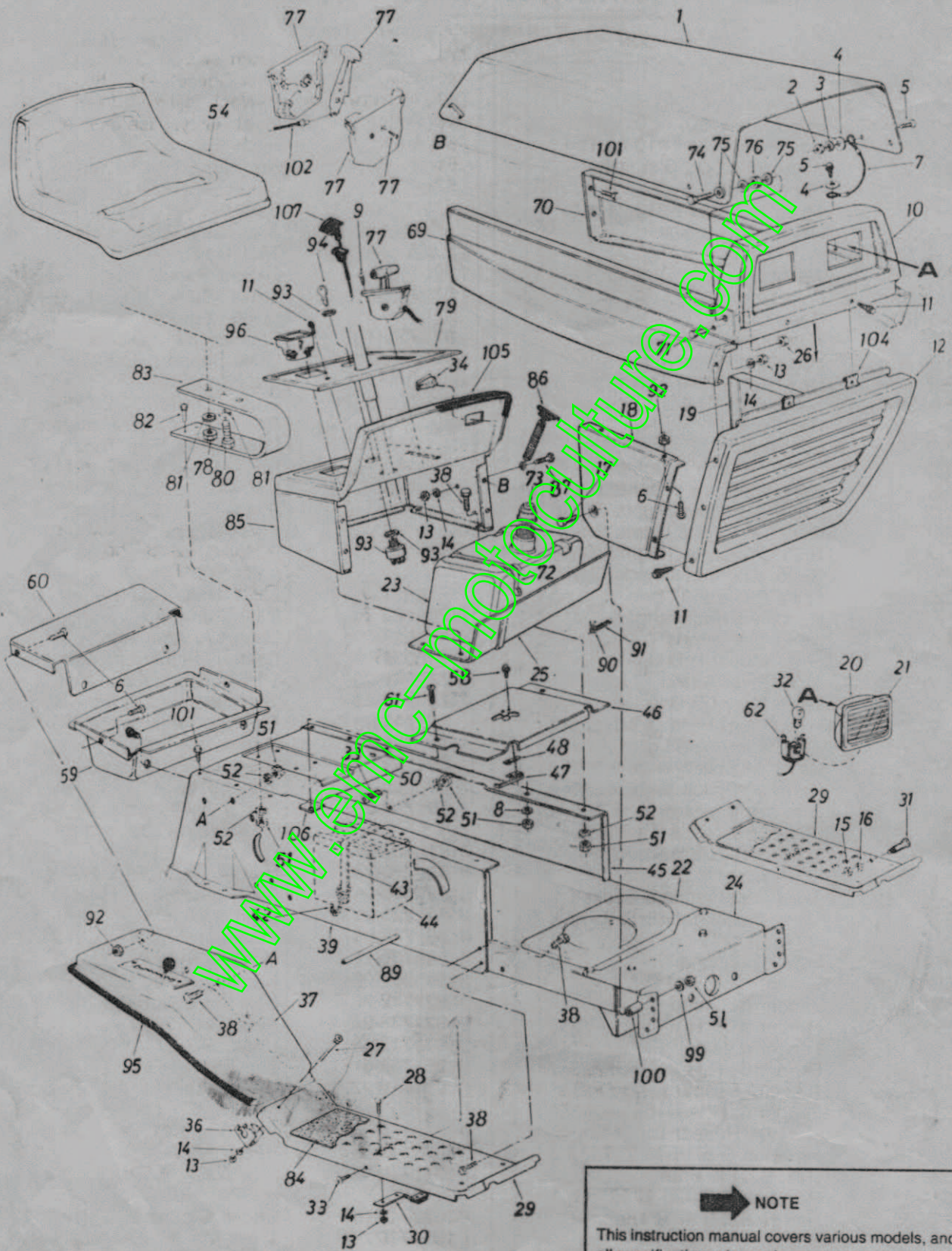
Style 7 (Models 537, 547, 557, 567, 607, 617, 637, 647, 657)

REF. NO.	PART NO.	COLOR CODE	DESCRIPTION	NEW PART	REF. NO.	PART NO.	COLOR CODE	DESCRIPTION	NEW PART
1	732-0414		Hood Spring		46	16433		Shift Cover	
2	14665	463	Hood (Style 2, 7)		47	725-0759		Reverse Safety Switch	
	14616	463	Hood (Style 0)		48	726-0222		Insulator Nut Plate	
3	712-0272		Hex Sems Nut #10-24 Thd.*		50	14607		Hitch Plate	
4	738-0145		Shld. Bolt .50 Dia. x .84		51	712-0267		Hex Nut 5/16-18 Thd.*	
5	723-0302		Hood Stop 7" Lg.		52	736-0119		L-Wash. 5/16" I.D.*	
6	710-0473		Truss Hd. Scr. #10-24 x 1/2"*		54	757-0322		Seat Ass'y. (Used w/Hex Nut)	
7	723-0333		Fuel Cap Gauge			757-0318		Seat Ass'y. (Used w/Hex Bolts)	
8	751-0172		Fuel Tank		59	731-0561		Tool Tray**	
9	726-0209		Tie Strap		60	14789		Fender Panel**	
10	751-0173		Fuel Line		61	710-0351		Truss Mach. Tap Scr. #10 x .50" Lg.	
11	726-0207		Hose Clamp						
12	14672		Headlight Retainer†		62	736-0413		Washer .39" I.D. x .62"	
	09960		Headlight Retainer††		67	749-0517		Grille Support Rod (R.H. & L.H.)	
13	712-0287		Hex Nut 1/4-20 Thd.*						
14	736-0329		L-Wash. 1/4" I.D.*		69	710-0255		Truss Hd. Scr. 1/4-20 x .75"*	
15	725-0222		Headlight**		70	14670		R.H.—Grille Side Panel†	
17	723-0360		Foot Pad**			14669		L.H.—Grille Side Panel†	
18	14635		Grille—Round Lights (Style 0)			14748		R.H.—Grille Side Panel††	
	17027		Grille—Square Lights (Style 0)	N		14749		L.H.—Grille Side Panel††	
	14612		Grille w/o Headlights (Style 0)			16622		R.H.—Grille Side Panel	
19	14781		Grille—Round Lights (Style 7)					(B&S)†††	
	16444		Grille—Square Lights (Style 7)	N		16619		R.H.—Grille Side Panel	
	14786		Grille w/o Headlights (Style 7)					(Tec.)†††	
20	17025		Grille (Style 2)			16621		L.H.—Grille Side Panel†††	
21	731-0705		Headlight Housing**		71	16184		Dash Panel Ass'y.	
22	731-0706		Headlight Lens**			15935		Dash w/o Ammeter	
23	13863		Grille Mount Brkt.—L.H.			15938		Dash w/o Lights or Ammeter	
24	14619		Front Pivot Brkt.		72	831-0823		Throttle Control Box Ass'y.	
25	13862		Grille Mount Brkt.—R.H.		73	746-0501		Throttle Control Wire—B&S	
26	710-0726		Hex Wash. Hd. AB-Tap Scr. 5/16 x .75" Lg.			746-0638		Throttle Control Wire—Tec.	
27	710-0495		Carriage Bolt 1/4-20 x 2.0"		75	725-0267		Ignition Switch	
28	710-0134		Carriage Bolt 1/4-20 x .62"		78	712-0206		Hex Nut 1/2-13 Thd. (Optional)	
29	14604		Running Board (R.H. & L.H.)		79	725-0201		Ignition Key	
30	—		Blade Brake Ass'y. (Refer to Deck Breakdown)		80	710-0865		Hex Bolt 1/2-13 x 1.00" Lg. (2-Req'd.) (Optional)	
31	725-0963		Head Lamp**		81	736-0921		L-Wash. 1/2" I.D.*	
32	725-1058		Twist Lock Lamp Socket**		82	710-0376		Hex Bolt 5/16-18 x 1.0"*	
33	710-0323		Truss Mach. Scr. 5/16-18 x .75" Lg.		83	732-0458		Seat Spring 5.5" High	
34	15930		Lower Frame		84	725-0634		Light Switch**	
35	736-0169		L-Wash. 3/8" I.D.*		86	725-0925		Ammeter**	
36	14671		Fender Clamp		88	731-0511		Molding Strip 27" Lg.	
37	16197	463	Fender (R.H.)		89	738-0526		Running Board Rod	
	14666	463	Fender (L.H.)		92	712-0272		Hex Sems Nut #10-24 Thd.	
	16198		Fender (R.H.)—Used w/36" & 40" Rear Disc. Decks		93	738-0724		Shld. Bolt .375 Dia. x .125	
	15350		Fender (L.H.)—Used w/36" & 40" Rear Disc. Decks		94	712-0380		L-Nut 1/4-28 Thd.	
38	710-0118		Hex Bolt 5/16-18 x .75" Lg.*		95	731-0511		Trim Strip—57" Lg.	
39	14602	463	R.H. Side Frame		96	710-0227		Hex Wash. Hd. AB-Tap Scr. #8 x .50" Lg.	
40	710-0258		Hex Bolt 1/4-20 x .62" Lg.*		97	726-0139		Speed Nut #10Z	
41	712-0798		Hex Nut 3/8-16 Thd.*		100	731-0465		Bezel**	
42	747-0475		Battery Strap Hook		101	710-0148		Hex Wash. F-Tap Scr. #8 x .38"***	
43	731-0718		Battery Hold Down Strap		102	746-0615		Choke Control 29" Lg.	
44	725-0514		12-V Battery		103	710-0779		Truss Mach. AB-Tap Scr. #10 x .50" Lg.	
45	14603	463	L.H. Side Frame		104	722-0157		Foam Strip 3/8 x 1-1/8 x 1 1/2	

†Used with Grille Ref. No. 18 (Style 0)
 ††Used with Grille Ref. No. 19 (Style 7)

†††Used with Grille Ref. No. 20 (Style 2)
 **Optional Parts

Style 1 (Models 531, 541, 551, 561, 601, 611, 631, 641, 651)



NOTE

This instruction manual covers various models, and all specifications shown do not necessarily apply to your model. Specifications subject to change without notice or obligation.

Style 1 (Models 531, 541, 551, 561, 601, 611, 631, 641, 651)

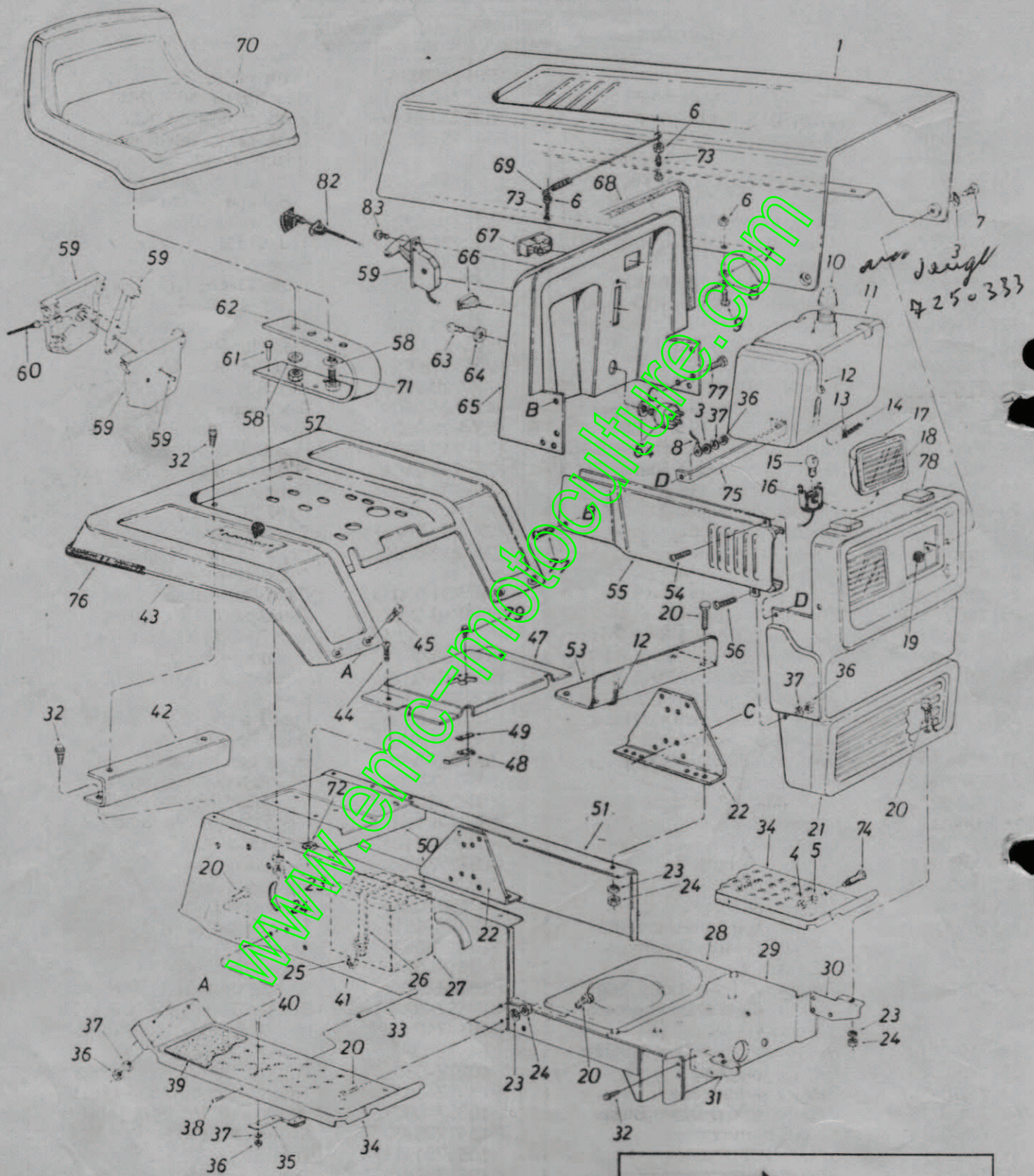
PARTS LIST FOR FRONT ENGINE LAWN TRACTORS

REF. NO.	PART NO.	COLOR CODE	DESCRIPTION	NEW PART	REF. NO.	PART NO.	COLOR CODE	DESCRIPTION	NEW PART
1	12780	463	Hood		50	14607		Hitch Plate	
2	712-0998		Hex L-Nut #10-24 Thd.		51	712-0267		Hex Nut 5/16-18 Thd.*	
3	736-0722		L-Wash. #10 I.D.		52	736-0119		L-Wash. 5/16" I.D.*	
4	736-0463		Fl-Wash. .25" I.D. x .62"		54	757-0322		Seat Ass'y. (used w/Hex Nut)	
5	710-0192		Truss Scr. #10-24 x .375"*			757-0318		Seat Ass'y. (used w/Hex Bolt)	
6	710-0473		Truss Hd. Scr. #10-24 x .50"*						
7	727-0199		Hood Stop						
8	736-0607		Ext. L-Wash. 5/16"		58	710-0227		Hex AB-Tap Scr. #8 x .50"	
9	710-0779		Truss Mach. AB-Tap Scr. #10 x .44		59	731-0561		Tool Tray†	
10	15871	463	Front Grille Upper Ass'y.		60	14789		Fender Panel†	
11	710-0224		Hex AB-Tap Scr. #10 x .50"		61	710-0351		Truss Mach. Tap Scr. #10 x .50" Lg.	
12	15872	463	Lower Grille		62	725-1058		Twist Lock—Lamp Socket	
13	712-0287		Hex Nut 1/4-20 Thd.*		69	12784	463	Side Panel—R.H.	
14	736-0329		L-Wash. 1/4" I.D.*		70	12785	463	Side Panel—L.H.	
15	712-0798		Hex Nut 3/8-16 Thd.*		71	710-0258		Hex Bolt 1/4-20 x .62" Lg.*	
16	736-0169		L-Wash. 3/8" I.D.*		72	726-0209		Tie Strap	
17	710-0442		Hex Bolt 5/16-18 x 1.50"*		73	723-0333		Fuel Cap Gauge	
18	15544	463	R.H. Lower Side Panel (B&S)		74	710-0253		Hex Bolt 3/8-16 x 1.00" Lg.*	
	16600		R.H. Lower Side Panel (Tec.)		75	736-0161		FI-Wash. .380" I.D. x 1.00"	
19	15545	463	L.H. Lower Side Panel		76	735-0200		Rubber Wash. .38" I.D. x .87" O.D.	
20	731-0705		Headlight Housing						
21	731-0706		Headlight Lens		77	831-0823		Throttle Control Box Ass'y.	
22	15930		Lower Frame		78	712-0206		Hex Nut 1/2-13 Thd. (Optional)	
23	751-0172		Fuel Tank		79	731-0804		Dash Panel Insert	
24	14619		Front Pivot Brkt.		80	710-0865		Hex Bolt 1/2-13 x 1.0" Lg. (2 Req'd.) (Optional)	
25	14605		Fuel Tank Support		81	736-0921		L-Wash. 1/2" I.D.*	
26	712-0375		Hex Cent. L-Nut 3/8-16 Thd.		82	710-0376		Hex Bolt 5/16-18 x 1.00"*	
27	710-0495		Carriage Bolt 1/4-20 x 2.00"*		83	732-0458		Seat Spring	
28	710-0134		Carriage Bolt 1/4-20 x .62"*		84	723-0360		Foot Pad†	
29	14604	463	Running Board (R.H. & L.H.)		85	15895		Dash Panel Ass'y.	
30	—		Blade Brake Ass'y. (Refer to Deck Breakdown)		86	723-0296		Hood Latch Ass'y.	
31	738-0145		Shld. Bolt .50 Dia. x .84		87	710-0289		Hex Bolt 1/4-20 x .50" Lg.*	
32	725-0963		Head Lamp		89	738-0526		Running Board Rod	
33	710-0323		Truss Mach. Scr. 5/16-18 x .75" Lg.*		90	726-0207		Hose Clamp	
34	725-0634		Light Switch†		91	751-0173		Fuel Line	
35	14671		Fender Clamp		92	712-0272		Hex Sems Nut #10-24 Thd.	
37	16197		Fender (R.H.)		93	725-0267		Ignition Switch	
	14666		Fender (L.H.)		94	725-0201		Ignition Key	
	16198		Fender (R.H.)—Used w/36" & 40" Rear Discharge Decks		95	731-0511		Trim Strip—57" Lg.	
	15350		Fender (L.H.)—Used w/36" & 40" Rear Discharge Decks		96	725-0925		Ammeter†	
					99	736-0242		Belleville Wash. .34" I.D.	
38	710-0118		Hex Bolt 5/16-18 x .75" Lg.*		100	22550		Spacer (Side Disc. Deck)	
39	14602		R.H. Side Frame			748-0298		Spacer (Rear Disc. Deck)	
42	747-0475		Battery Strap Hook		101	710-0258		Hex Wash. Hd. AB-Tap Scr. 1/4-20 x .62	
43	731-0718		Battery Hold Down Strap		102	746-0505		Throttle Control Wire (B&S)	
44	725-0514		12-V Battery			746-0637		Throttle Control Wire (Tec.)	
45	14603		L.H. Side Frame		103	710-0651		Hex Wash. Hd. Self-Tap Scr.	
46	16432		Shift Cover		104	726-0139		Speed Nut #10Z	
47	725-0759		Reverse Safety Switch		105	731-0511		Trim Strip—15"	
48	726-0222		Insulator Nut Plate		106	726-0139		Speed Nut #10Z	
					107	746-0615		Choke Control 29" Lg.	N

†Optional Parts

*For faster service obtain standard nuts, bolts and washers locally. If these items cannot be obtained locally, order by part number and size as shown on parts list.

Style 3 (Models 533, 543, 553, 563, 603, 613, 633, 643, 653)



NOTE

This instruction manual covers various models, and all specifications shown do not necessarily apply to your model. Specifications subject to change without notice or obligation.

Style 3 (Models 533, 543, 553, 563, 603, 613, 633, 643, 653)

PARTS LIST FOR FRONT ENGINE LAWN TRACTORS

REF. NO.	PART NO.	COLOR CODE	DESCRIPTION	NEW PART	REF. NO.	PART NO.	COLOR CODE	DESCRIPTION	NEW PART
1	15808	463	Hood		44	710-0351		Truss Mach. Scr. #10 x .50"	
2	738-0724		Shld. Bolt .375 Dia. x .125		45	710-0167		Carriage Bolt 1/4-20 x .50" *	
3	736-0413		Washer .39" I.D. x .62"		47	16433		Transmission Panel	
4	712-0798		Hex Nut 3/8-16 Thd.*		48	725-0759		Reverse Safety Switch	
5	736-0169		L-Wash. 3/8" I.D.*		49	726-0222		Insulator Nut Plate	
6	712-0272		Hex Sems Nut #10-24 Thd.*		50	14607		Hitch Plate	
7	736-0931		FI-Wash. .203" I.D. x .41" O.D. x .040		51	14603		L.H. Side Frame	
8	727-0290		Hood Stop		53	14605		Fuel Tank Support	
9	710-0473		Truss Hd. Scr. #10-24 x 1/2" *		54	710-0255		Truss Hd. Scr. 1/4-20 x .75" *	
10	723-0333		Fuel Cap Gauge		55	15814		Side Cover—R.H.	
11	751-0172		Fuel Tank			15815		Side Cover—L.H. (Not Shown)	
12	726-0209		Tie Strap		56	710-0286		Truss Mach. Scr. 1/4-20 x .50" Lg.*	
13	726-0207		Hose Clamp		57	712-0206		Hex Nut 1/2-13 Thd.*†	
14	751-0173		Fuel Line		58	736-0921		L-Wash. 1/2" I.D.*	
15	725-0963		Lamp†		59	831-0823		Throttle Control Box Ass'y.	
16	725-1058		Twist Lock—Lamp Socket†		60	746-0500		Throttle Control Wire (B&S)	
17	731-0705		Headlight Housing†			746-0638		Throttle Control Wire (Tec.)	
18	731-0706		Lenst†		61	710-0376		Hex Bolt 5/16-18 x 1.0" *	
19	712-0380		L-Nut 1/4-28 Thd.		62	732-0438		Seat Spring 5.5" High	
20	710-0118		Hex Bolt 5/16-18 x .75" Lg.*		63	725-0201		Ignition Key	
21	15804	463	Grille		64	725-0267		Ignition Switch	
	15805	463	Grille Without Headlights		65	16489		Dash Panel	
22	15818		Dash Support Bracket		66	725-0634		Light Switch†	
23	736-0119		L-Wash. 5/16" I.D.*		67	725-0925		Ammeter†	
24	712-0267		Hex Nut 5/16-18 Thd.*		68	731-0511		Trim Strip—27"	
25	747-0475		Battery Strap Hook		69	732-0462		Hood Spring	
26	731-0718		Battery Hold Down Strap		70	757-0322		Seat Ass'y. (Used w/Hex Nut)	
27	725-0514		12V Battery			757-0318		Seat Ass'y. (Used w/Hex Bolts)	
28	15930		Lower Frame		71	710-0865		Hex Bolt 1/2-13 x 1.0" Lg. (2 Req'd.)†	
29	14619		Front Pivot Brk't.		72	726-0139		Speed Nut #10Z	
30	15821		Grille Mount Brk't.—L.H.		73	710-0749		Hex Scr. #10-24 x 1.0" Lg.	
31	15822		Grille Mount Brk't.—R.H.		74	738-0145		Shld. Bolt .50 Dia. x .84	
32	710-0726		Hex Wash. Hd. AB-Tap Scr. 5/16 x .75" Lg.		75	15931		Tie Strap—Grille/Side Panel	
33	738-0526		Running Board Rod		76	731-0511		Trim Strip—81"	
34	14604		Running Board (R.H. & L.H.)		77	710-0642		Hex Wash. Hd. Tap Scr. 1/4 x .75" Lg.	
35	—		Blade Brake Ass'y. (Refer to Deck Breakdown)		78	722-0157		Foam Strip 3/8 x 1-1/8" x 1 1/2" Lg. (2 Req'd.)	
36	712-0287		Hex Nut 1/4-20 Thd.*		79	710-0227		Hex Wash. Hd. AB-Tap #8 x .50" Lg.	
37	736-0329		L-Wash. 1/2" I.D.*		82	746-0615		Choke Control 29" Lg.	
38	710-0323		Truss Mach. Scr. 5/16-18 x .75" Lg.*		83	710-0779		Truss Mach. AB-Tap Scr. #10 x .5" Lg.	
39	723-0360		Foot Pad†						
40	710-0134		Carriage Bolt 1/4-20 x .62" *						
41	14602		R.H. Side Frame						
42	15848		Fender Mount Brace						
43	16199	463	Rear Fender						
	16198	463	Rear Fender (R.H.)††						
	15350	463	Rear Fender (L.H.)††						

†Optional Parts

††Used with 36" and 40" Rear Discharge Decks Only.

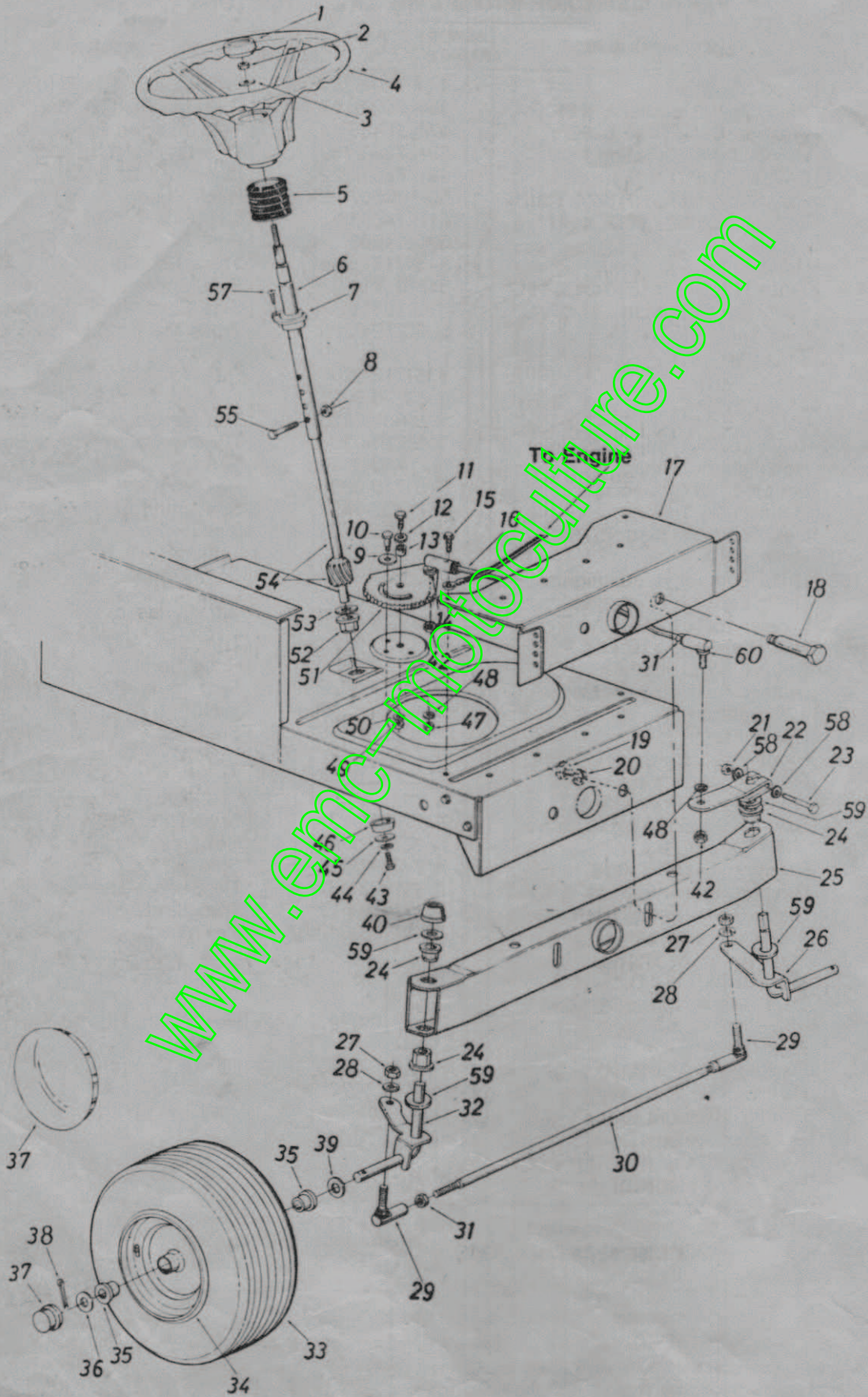
If color or finish is important when ordering parts, use the appropriate color code shown below [i.e. (part no.)-463 for Topflite Red Finish].

Color Codes

312—White	463—Topflite Red
436—Radiant Yellow	480—Brilliant Green
447—Patina Silver	483—Charcoal Grey
452—Black	499—Beige
456—Radiant Tangerine	606—Majestic Orange
460—Green Flake	629—Silver Flake

*For faster service obtain standard nuts, bolts and washers locally.
If these items cannot be obtained locally, order by part number and size as shown on parts list.

Models 530 thru 567, 600 thru 657



Models 530 thru 567, 600 thru 657

PARTS LIST FOR FRONT ENGINE LAWN TRACTORS

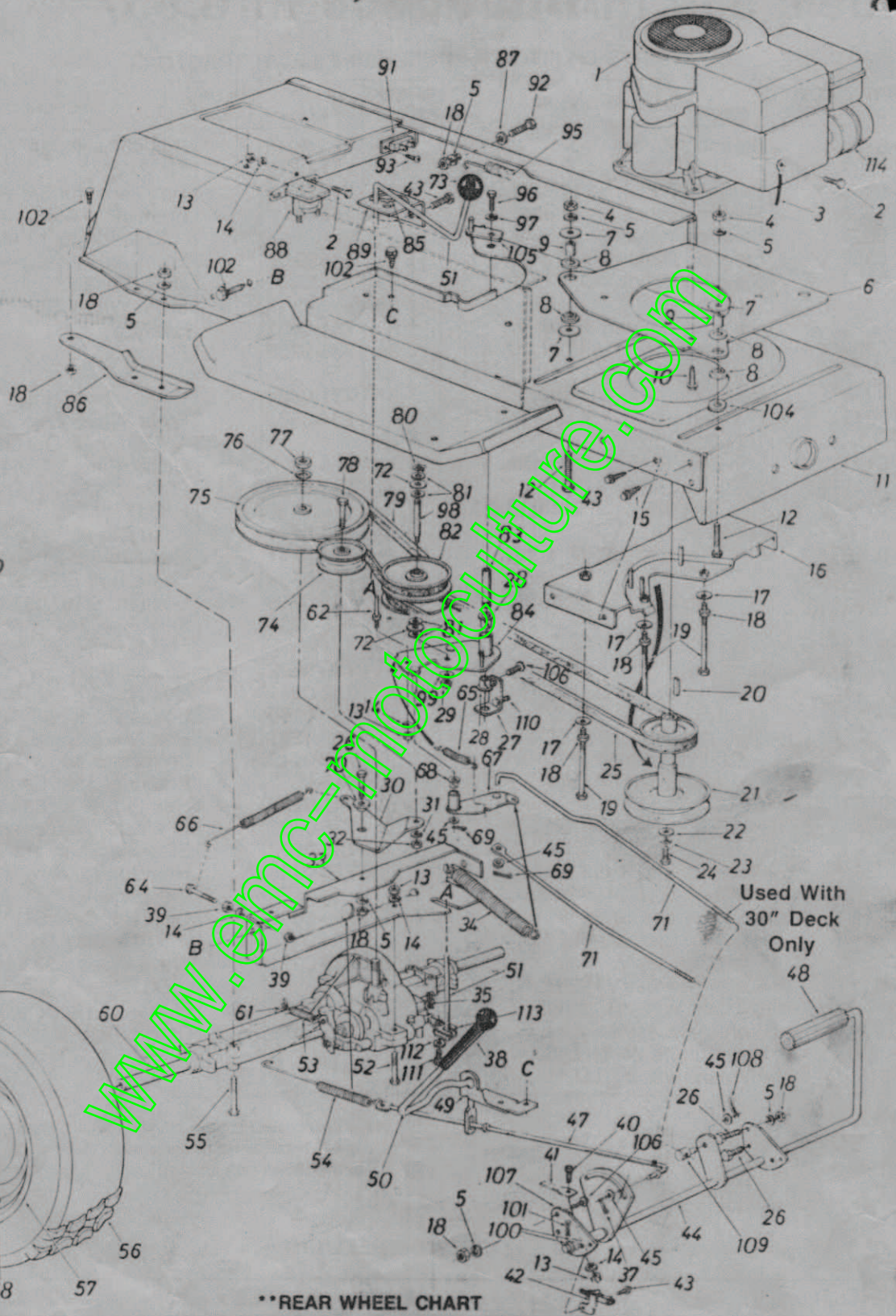
REF. NO.	PART NO.	COLOR CODE	DESCRIPTION	NEW PART	REF. NO.	PART NO.	COLOR CODE	DESCRIPTION	NEW PART
1	731-0220		Steering Wheel Cap		29	723-3018		Ball Joint 3/8-24 Thd.	
2	712-0237	X	Hex L-Nut 5/16-24 Thd.		30	711-0613		Tie Rod	
3	736-0242		Belleville Wash. .345" I.D.		31	712-0711		Hex Jam Nut 3/8-24 Thd.*	
4	731-0805		Steering Wheel (3 Spoke)		32	15840		Front Axle Ass'y.—R.H.	
	731-0806		Steering Wheel (4 Spoke)					(Used With 13 Inch Tire)	
5	731-0559		Steering Bellow—4.5"			14650		Front Axle Ass'y.—R.H.	
	731-0654		Steering Bellow—9" (Style 1)		33	**		Wheel Ass'y. Comp.	
6	16512		Steering Column Ass'y.		34	**		Front Wheel Rim Only	
7	741-0356		Flange Bearing .890 I.D. x 1.36 O.D.		35	741-0487		Bearing	N
8	712-0324		Hex L-Nut 1/4-20 Thd.		36	736-0285		FI-Wash. .635 I.D. x 1.59" O.D.	
9	736-0319		FI-Wash. .438" I.D. x 1.37" O.D.		37	731-0484		Front Wheel Hub Cap	
						734-0541		Front Wheel Hub Cap (Chrome—Optional)	
10	738-0141		Shoulder Bolt .437" Dia. x .35 Lg. 5/16-18 Thd.		38	714-0470		Cotter Pin 1/8" Dia. x 1.25" *	
	710-0152		Hex Bolt 3/8-24 x 1.0" Lg. (Grade 5)		39	736-0187		FI-Wash. .640" I.D. x 1.24" O.D.	
12	736-0258		FI-Wash. .38" I.D. x 1.0" O.D.		40	726-0214		Push Cap 5/8" Dia. Rod	
					42	712-0241		Hex Nut 3/8-24 Thd.*	
13	750-0535		Spacer .380" I.D. x .625" O.D. x .227		43	710-0538	X	Hex L-Bolt 5/16-18 x .62" *	
					44	736-0119		L-Wash. 5/16" I.D.*	
14	736-0169		L-Wash. .38" I.D.*		45	736-0231		FI-Wash. .344" I.D. x 1.25" O.D.	
15	710-0726		Hex Wash. Hd. Self-Tap Scr.		46	750-0532		Spacer (Plastic)	
16	711-0788		Steering Drag Link		47	712-0241		Hex Nut 3/8-24 Thd.*	
17	14619		Front Pivot Brkt.		48	736-0169		L-Wash. 3/8" I.D.*	
18	738-0527		Shoulder Bolt .498" Dia. x 2.04 Lg. 3/8-16 Thd.		49	712-0267		Hex Nut 5/16-18 Thd.*	
19	712-0798		Hex Nut 3/8-16 Thd.*		50	736-0119		L-Wash. 5/16" I.D.*	
20	736-0169		L-Wash. 3/8" I.D.*		51	717-0622		Steering Gear Segment	
21	712-0237		Hex Cent. L-Nut 5/16-24 Thd.		52	741-0225		Hex Flg. Brg. .634 I.D.	
22	16481		Steering Arm Front Axle		53	736-0187		FI-Wash. (Hardened)	
23	710-0772		Hex Bolt 5/16-24 x 2.00" Lg. (Grade 5)		54	738-0522		Steering Shaft Lower	
24	741-0225		Hex Flg. Brg. .634 I.D.		55	710-0958		Hex Bolt 1/4-20 x 1.25" Lg. (Special)	
25	14608		Pivot Bar Ass'y.		57	710-0837		Oval Hd. Cr.—Sunk Scr. #10 x 5/8" Lg.	
	16480		Front Axle Ass'y.—L.H. (Used With 13 Inch Tire)		58	736-0271		Wave-Wash. .32" I.D. x .62" O.D.	
	16479		Front Axle Ass'y.—L.H.		59	736-0187		FI-Wash. (Hardened)	
27	712-0241		Hex Nut 3/8-24 Thd.*		60	723-3018		Drag Link Ball Joint 3/8-24 Thd.	
28	736-0169		L-Wash. 3/8" I.D.*						

*For faster service obtain standard nuts, bolts and washers locally.
If these items cannot be obtained locally, order by part number and
size as shown on parts list.

**FRONT WHEEL CHART

Description	15 x 6.00 -- 6	14.5 x 6.00	13 x 5.00
Wheel Assembly Comp.	734-1136	734-0863	734-1229
Tire Only	734-0427	734-0864	734-0298
Rim Only	734-0997	734-0864	734-1227
Bearing	741-0313	741-0313	741-0313
Air Valve	734-0255	734-0255	734-0255
Grease Fitting	737-0146	737-0146	737-0146

Models 530 thru 567, 600 thru 657



Pont pour
656/617
Rif 7170750
remplacé par
7172050

www.encyclopedie.com

**REAR WHEEL CHART

Description	18 x 9.50	18 x 8.50	18 x 6.50 (30" & 34" Decks)	18 x 6.50 (36" & 40" Decks)	16 x 6.50	18 x 5.5
Wheel Assembly Comp.	734-0817	734-0601	734-0592	734-1132	734-0591	734-1190
Tire Only	734-0448	734-0516	734-0294	734-0294	734-0275	734-1197
Rim Only	734-0603	734-0603	734-0594	734-1133	734-0594	734-1191

Models 530 thru 567, 600 thru 657

PARTS LIST FOR FRONT ENGINE LAWN TRACTORS

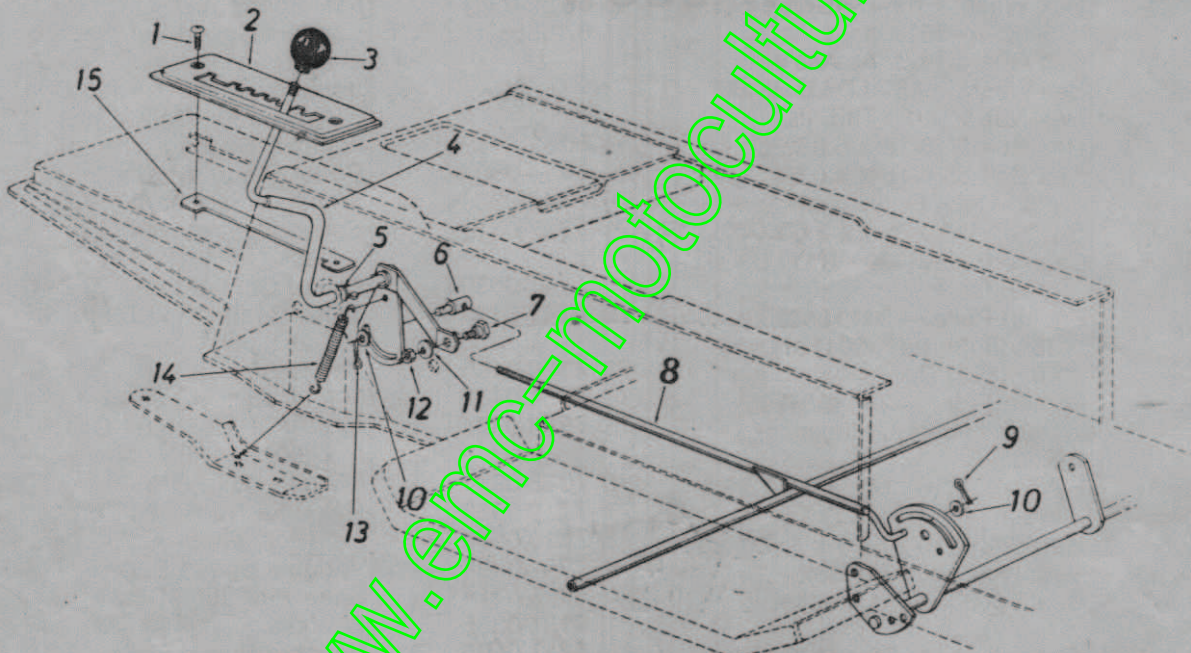
REF. NO.	PART NO.	COLOR CODE	DESCRIPTION	NEW PART	REF. NO.	PART NO.	COLOR CODE	DESCRIPTION	NEW PART
1	—		Engine		48	735-0196		Foot Pad	
2	710-0258		Hex Bolt 1/4-20 x .62" Lg.*		49	15889		Brake Lever Bracket	
3	725-0122		Electric Ground Wire		50	15888		Hill Holder Brake Handl̄	
4	712-0123		Hex Nut 5/16-24 Thd.*		51	16430		Shift Lever Ass'y.	
5	736-0119		L-Wash. 5/16" I.D.*		52	710-0559		Hex Bolt 1/4-28 x 1.75" Lg.*	
6	14791		Engine Mounting Plate		53	732-0264		Ext. Spring .38" O.D. x 2.5"	
7	736-0343		FI-Wash. .320" I.D. x 1.25"		54	732-0413		Ext. Spring .59" O.D. x 7.08"	
8	722-0153		Engine Mounting Grommet		55	710-0176		Hex Bolt 5/16-18 x 2.75"*	
9	750-0539		Spacer		56	**		Wheel Ass'y. Comp.	
10	710-0502		Hex Bolt 3/8-16 x 1.25" Lg. (B&S)		57	**		Wheel Rim Only	
	710-0650		Hex Wash. Hd. TT-Tap Scr. 5/16-18 x 7/8" Lg. (Tec.)		58	734-0255		Air Valve (Service Only)	
11	15930		Lower Frame Ass'y.		59	710-0627		Hex Bolt 5/16-24 x .75" Lg.*	
	710-0158		Hex Bolt 5/16-24 x 1.25"*		60	717-1050		Transaxle Complete	
	712-0287		Hex Nut 1/4-20 Thd.*		61	732-0454		Brake Return Spring Anchor	
14	736-0329		L-Wash. 1/4" I.D.*		62	711-0768		Belt Guard Pin 1/4-20 Thd.	
	710-0781		Hex Wash. Hd. AB-Tap Scr. 5/16" x .75" Lg.		64	710-0428		Hex Bolt 1/4-28 x 1.25" Lg.*	
16	15898		Belt Guard Brkt. Ass'y.		65	732-0568		Ext. Spring	
17	736-0242		Bell-Wash. .345" I.D. x .88"		66	732-0384		Ext. Spring .62" O.D. x 6.12"	
18	712-0267		Hex Nut 5/16-18 Thd.*		67	16554		Variable Speed Torque Brkt. Ass'y.	
19	710-0833		Hex Bolt 5/16-18 x 5.25" Lg.			16352		Variable Speed Torque Brkt. Ass'y. (30" Deck Only)	
	710-0190		Hex Bolt 5/16-18 x 4.0" (30" Deck Only)		68	741-0419		Flanged Bearing	
20	714-0114	X	Sq. Key 1/4" x 1/4" x 2.00"		69	714-0507		Cotter Pin 3/32" Dia.*	
21	756-0423		Engine Pulley—30" R.D. (799) Deck		70	748-0234		Shoulder Spacer .27" Lg.	
	756-0428		Engine Pulley—34" (800), 36" (802), 38" (801) and 40" (804) Decks		71	747-0512		Speed Control Link (30" Deck Only)	
	756-0488		Engine Pulley—38" (805) Deck (Single Cylinder Engine)			747-0530		Speed Control Link	
22	736-0322		FI-Wash. 7/16" I.D. x 1.25"		72	741-0405		Truss Bearing .56 Dia. x 1.25"	
23	736-0171		L-Wash. 7/16" I.D.*		73	720-0165		Ball Knob	
24	710-0757		Hex Bolt 7/16-20 x 1.50" Lg.		74	756-0437		FI-Idler Pulley 3.25" x 1.0"	
25	754-0280		Variable-Speed Belt		75	756-0374		1/2" "V"-Pulley 8.0" O.D. x .501" I.D.	
	16553		Bearing Shaft Bracket Ass'y.		76	736-0921		L-Wash. 1/2" I.D.*	
28	741-0295		Flanged Nylon Brg. 5/8" I.D. x .88" Lg.		77	712-0922		Hex Jam Nut 1/2-20 Thd.*	
29	712-0241		Hex Nut 3/8-24 Thd.*		78	710-0539		Hex Bolt 3/8-24 x .75" Lg.*	
30	15891		Idler Bracket		79	754-0281		Variable Speed Belt	
31	736-0169		L-Wash. 3/8" I.D.*		80	716-0114		Snap Ring .56" Dia.	
32	712-0241		Hex Nut 3/8-24 Thd.*		81	736-0355		FI-Wash.	
33	15945		Transaxle Support Brkt.		82	717-0800		Variable Speed Pulley Ass'y. 5" O.D.	
34	732-0459		Ext. Spring .94" O.D. x 6.7		83	711-0766		Bearing Shaft	
35	714-0149		Inter. Cott-Pin		84	16354		Variable Speed Brkt. Ass'y.	
37	714-0507		Cotter Pin 3/32" Dia. x .75"*		85	732-0525		Comp. Spring—Clip	
38	720-0143		Grip—Black		86	14770		Transaxle Support Brkt.—R.H.	
39	712-0138		Hex Nut 1/4-28 Thd.			14769		Transaxle Support Brkt.—L.H. (Not Shown)	
40	710-0597		Hex Bolt 1/4-20 x 1.00" Lg.*		87	736-0231		FI-Wash. .34 I.D. x 1.12 O.D.	
41	732-0435		Switch Actuator		88	725-0771		Solenoid	
42	725-0577		Safety Switch		89	16429		Shift Lever Bracket	
43	710-0599		Hex Wash. Hd. S-Tap Scr. 1/4-20 x .50" Lg.		91	725-0459		Circuit Breaker	
	16235		Clutch/Brake Pedal Ass'y.		92	710-0959		Hex Bolt 5/16-18 x 1.50" Lg.	
45	736-0117		FI-Wash.		93	710-0351		Truss Hd. Phil. Scr. #10 x 1/2" Lg.	
47	747-0519		Brake Rod 20.9" Lg.		95	732-0307		Ext. Spring .99" O.D. x 11"	
					96	710-0180		Hex Bolt 3/8-24 x .75" Lg.*	
					97	736-0105		Bell-Wash. .38" I.D. x .88"	
					98	738-0569		Shaft .56" Dia. x 3.875" Lg.	

Models 530 thru 567, 600 thru 657

PARTS LIST FOR FRONT ENGINE LAWN TRACTORS (CONTINUED)

REF. NO.	PART NO.	COLOR CODE	DESCRIPTION	NEW PART	REF. NO.	PART NO.	COLOR CODE	DESCRIPTION	NEW PART
99	736-0331		Bell-Wash. .39" I.D. x 1.12"		108	714-0507		Cotter Pin 3/32" Dia. x .75"	
100	736-0256		FI-Wash.		109	711-0198		Ferrule	
101	714-0111		Cotter Pin 3/32" Dia. x 1.0"*		110	710-0971		Truss Phillips Hd. Scr.	
102	710-0604		Hex Wash. Hd. Scr. 5/16-18 x .62" Lg.		111	710-0195		5/16-18 x 1.0" Lg.	
104	736-0362		FI-Wash. .32" I.D. x 1.25"		112	736-0270		Hex Bolt 1/4-28 x .50" Lg.	
105	16067		Belt Guard		113	16437		Bell-Wash. .265" I.D. x .75"	
106	710-0323		Truss Mach. Scr. 5/16-18 x .75" Lg.*		114	751-0302		Shift Lever Link Ass'y.	
107	15835		Pedal Bracket		—	712-0250		Muffler (B&S) Conduit L-Nut 1"	

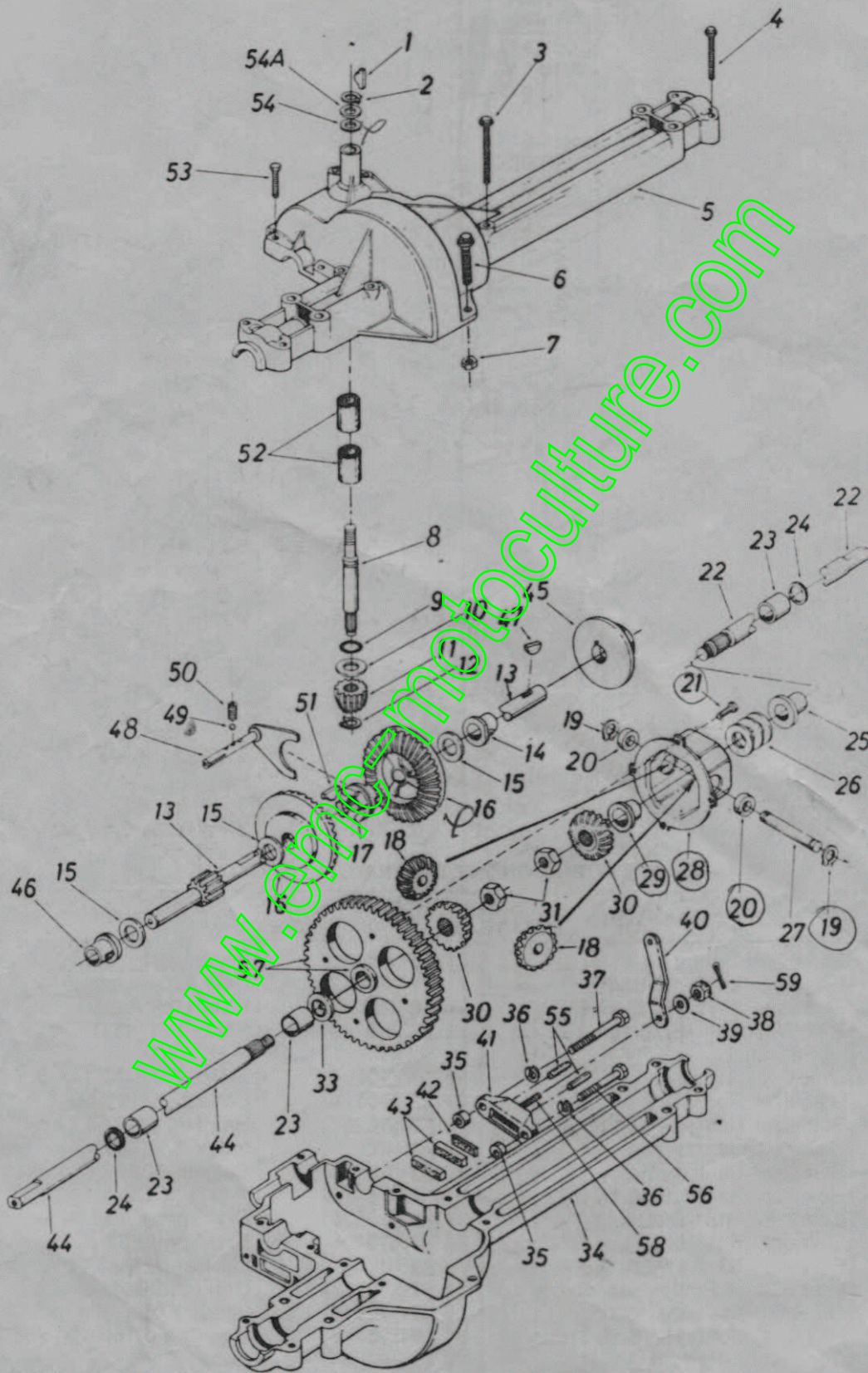
Models 530 thru 567, 600 thru 657



PARTS LIST FOR FRONT ENGINE LAWN TRACTORS

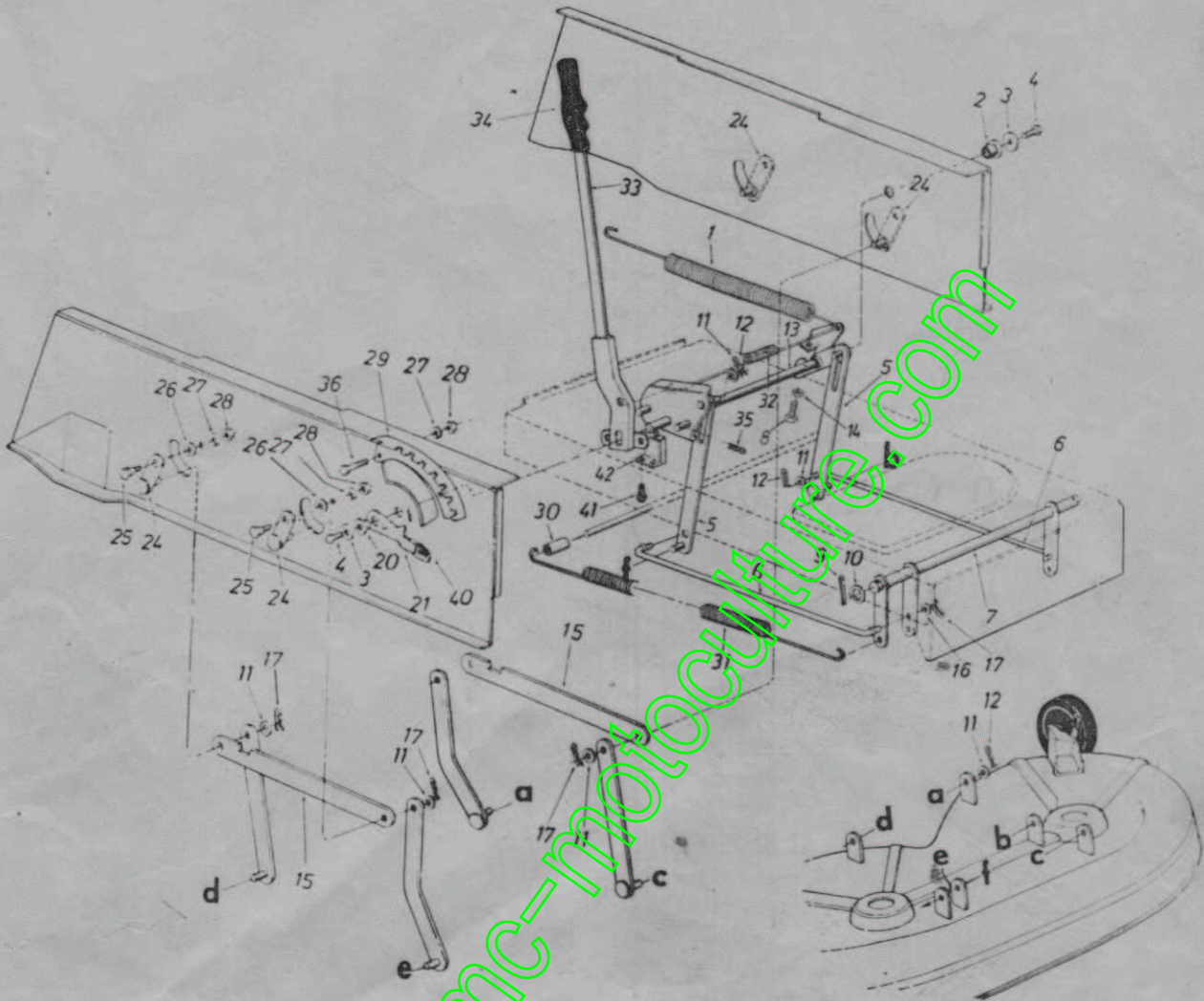
REF. NO.	PART NO.	COLOR CODE	DESCRIPTION	NEW PART	REF. NO.	PART NO.	COLOR CODE	DESCRIPTION	NEW PART
1	710-0924		Truss Mach. Scr. 1/4-20 x .75" Lg.		6	711-0198		Ferrule 3/8-24 x .37" Dia.	
2	16237		Speed Selector Plate 4-Speed		7	738-0155		Shoulder Bolt .435" Dia. x .160	
	16195		Speed Selector Plate 5-Speed		8	16355		Speed Control Rod Ass'y.	
	16236		Speed Selector Plate 6-Speed		9	714-0507		Cotter Pin 3/32" Dia. x .75" Lg.*	
	16194		Speed Selector Plate 7-Speed		10	736-0226		FI-Wash. .469" I.D. x .88" O.D.	
3	720-0175		Gear Shift Knob		11	736-0119		L-Wash. 5/16" I.D.*	
4	16192		Speed Selector Cam Ass'y.		12	712-0267		Hex Nut 5/16-18 Thd.*	
5	736-0192		Flat Washer .53" I.D. x .93" O.D.		13	714-0507		Cotter Pin 3/32" Dia. x .75" Lg.*	
					14	732-0303		Spring .38" O.D. x 3.18" Lg.	
					15	16196		Clamping Plate	

Models 530 thru 567, 600 thru 657



SINGLE SPEED TRANSAXLE—R.H.
MODEL 717-0750A

Models 530 thru 567, 600 thru 657



PARTS LIST FOR FRONT ENGINE LAWN TRACTORS

REF.	PART NO.	COLOR CODE	DESCRIPTION	NEW PART	REF. NO.	PART NO.	COLOR CODE	DESCRIPTION	NEW PART
	732-0307		Extension Spring—14" Lg.		20	748-0176		Flange Brg. .630" I.D.	
2	741-0313		Flange Bearing .634" I.D.		21	732-0412		Deck Lift—Down Stop	
3	736-0231		Fl-Wash. .344" I.D. x 1.125"		24	09721		Pivot Link Ass'y.	
4	710-0604		Hex Wash. Hd. 5/16-18 x .62" Lg.		25	738-0140		Shld. Bolt .437" Dia. x .180" Lg. (5/16-18)	
5	14802		Link Deck Lift Ass'y.		26	736-0264		Fl-Wash. .344" I.D. x .62"	
6	711-0738		Stabilizer Rod		27	736-0119		L-Wash. 5/16" I.D.*	
	711-0790		Stabilizer Rod—38" (805) Deck Only		28	712-0267		Hex Nut 5/16-18 Thd.*	
					29	16462		Index Brkt.	
7	16234		Stabilizer Shaft Ass'y.		30	711-0425		Spacer .523" I.D. x .640" O.D. x 1.95" Lg.	
8	710-0602		Hex Tap Scr. 5/16-18 x 1"		31	732-0530		Ext. Spring 13.25" Lg.	
9	714-0470		Cotter Pin 1/8" Dia. x 1 1/4"*		32	732-0498		Ext. Spring 32 Coils	
10	736-0156		Fl-Wash. .635" I.D. x 1.12"		33	16465		Lift Handle Ass'y.	
11	736-0160		Fl-Wash. .531" I.D. x .940"		34	720-0157		Grip (Lift Handle)	
12	714-0111		Inter. Cotter Pin		35	714-0145		Intern. Cotter Pin 1/2" Dia.	
13	17154		Lift Shaft Ass'y.	N	36	710-0118		Hex Bolt 5/16-18 x .75"*	
14	712-3007		Hex Jam Nut 5/16-18 Thd.		40	08540		Knob	
15	09735		Connecting Rod		41	710-0351		Hex AB-Tap Scr. #10 x .50"	
16	736-0300		Fl-Wash. .40" I.D. x .88"		42	725-0803		Safety Switch	
17	714-0104		Inter. Cotter Pin—3/8" Rod						

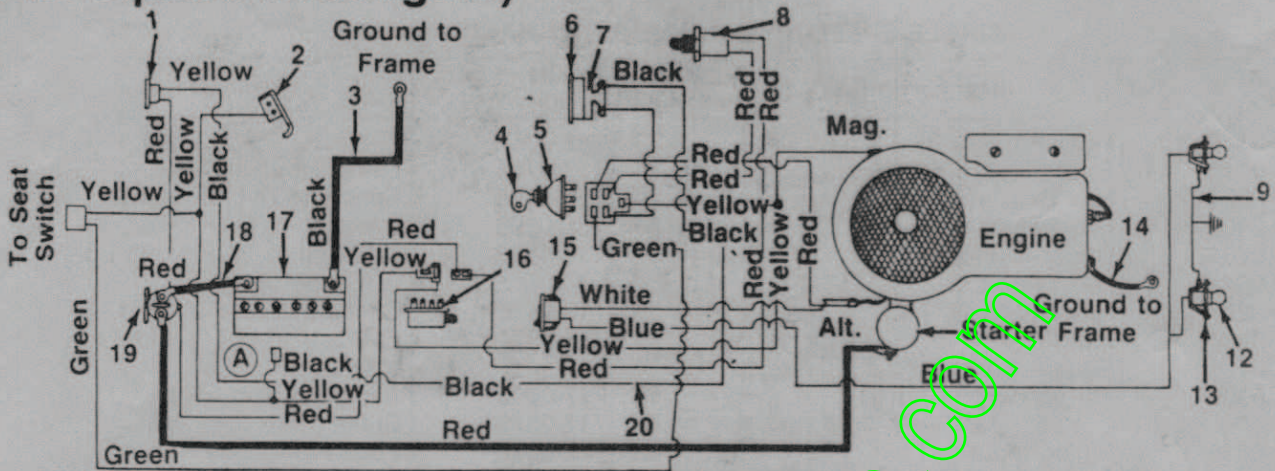
Models 530 thru 567, 600 thru 657

PARTS LIST FOR SINGLE SPEED TRANSAXLE RIGHT HAND 717-1050

REF. NO.	PART NO.	DESCRIPTION	NEW PART	REF. NO.	PART NO.	DESCRIPTION	NEW PART
1	714-0129	#4 Hi-Pro Key 3/32 x 5/8" Dia.		33	736-0351	FI-Wash. .75" I.D. x 1.5" O.D.	
2	716-0115	Snap Ring .625" Shaft		34	717-0761	Lower Housing	
3	710-0854	Hex Bolt 1/4-20 x 1.75" Lg.*		35	750-0555	Spacer .53" O.D. x 3/8" Lg.	
4	710-0809	Hex Bolt 1/4-20 x 1.25" Lg.*		36	736-0329	L-Wash. 1/4" I.D.*	
5	717-0764	Upper Housing		37	710-0886	Hex Bolt 1/4-20 x 1.50" Lg. (Grade 5)	
6	710-0642	Hex FI-Bolt 1/4-20 x .75" Lg.		38	712-0335	Castle Nut 5/16-24 Thd.*	
7	712-0287	Hex Nut 1/4-20 Thd.*		39	736-0371	FI-Wash. .34" I.D. x .875" O.D.	
8	717-0634	Input Shaft		40	717-0700	Actuating Arm—R.H.	
9	721-0178	Square Seal 5/8" I.D.		41	717-0679	Brake Yoke	
10	736-0335	Thrust Washer 5/8" I.D. x 1.25" O.D.		42	717-0682	Puck Plate	
11	717-0633	Pinion Input 14T		43	717-0678	Brake Puck	
12	716-0108	Retaining Ring 7/16" Ext.		44	717-1011	Axle L.H.	
13	717-0758	Drive Shaft—R.H.		45	717-0677	Brake Disc	
14	741-0336	Flange Brg. 5/8" I.D. x 3/4" Lg.*		46	741-0337	Flange Bearing 5/8" I.D. x 15/16" Lg.	
	**	FI-Wash. (See Below)		47	714-0161	Woodruff Key 3/16 x 5/8 HT	
16	717-0757	Bevel Gear 42T		48	717-0754	Shift Fork Ass'y.	
17	717-0667	Clutch Collar		49	741-0862	Ball Detent .250" Dia.	
18	717-1020	Miter Gear 15T		50	732-0863	Spring Detent	
19	716-0142	Snap Ring		51	714-0169	#9 Hi-Pro Key 3/16" x 3/4" Dia. HT	
20	717-0690	Thrust Bearing 1/2" I.D. x 1.0" O.D.		52	741-0335	Needle Brg. 5/8" I.D. x 1/2" Lg.	
21	710-0862	Pan Head Scr. 1/4-20 x .50" Lg. w/Patch		53	710-0855	Hex Bolt 1/4-20 x 1.00" Lg.	
22	717-1012	Axle R.H.		54	736-0336	FI-Wash. 5/8" I.D. x .030	
23	741-0340	Sleeve Bearing 3/4" I.D. x 1.0" Lg.		54A	736-0337	FI-Wash. 5/8" I.D. x .040	
24	721-0179	Oil Seal 3/4" I.D.		54B	736-0349	FI-Wash. 5/8" I.D. x .020	
25	741-0339	Flange Bearing 3/4" I.D. x 15/16" Lg.		55	741-0343	Actuating Pin 5/16" Dia.	
26	736-0188	FI-Wash. .760" I.D. x 1.49" O.D.		56	710-0886	Hex Bolt 1/4-20 x 1.50" Lg. (Grade 5)	
27	717-0673	Cross Shaft		57	717-1059	Differential Gear 72T Ass'y. w/Bearing	
28	717-0777	Differential Housing Ass'y.		58	717-0796	Sq. Hd. Bolt 5/16-24 Thd.	
29	—	Comes with Ref. 28		59	1544-013	Cotter Pin 3/32" Dia. x .50" Lg.	
30	717-1019	Miter Gear		—	737-0148	Grease—Shell (10 oz.)	
31	712-0200	Hex Ins. L-Nut 1/4-20 Thd.					

**Ref. No. 15 736-0349 FI-Wash. 5/8" I.D. x 1.0" O.D. x .020 Thk.
736-0336 FI-Wash. 5/8" I.D. x 1.0" O.D. x .030 Thk.
736-0337 FI-Wash. 5/8" I.D. x 1.0" O.D. x .040 Thk.

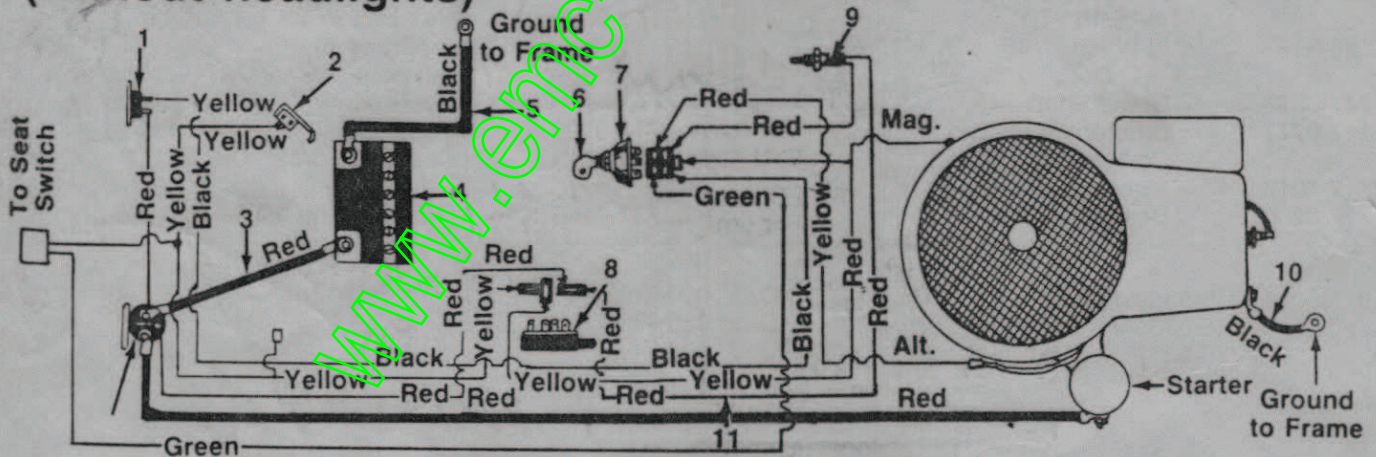
Models 530 thru 567, 600 thru 657 (with square headlights)



PARTS LIST FOR ELECTRICAL SYSTEM

REF. NO.	PART NO.	COLOR CODE	DESCRIPTION	NEW PART	REF. NO.	PART NO.	COLOR CODE	DESCRIPTION	NEW PART
1	725-0459		Circuit Breaker		12	725-0963		Lamp	
2	725-0759		Spring-Switch—Reverse		13	725-1058		Socket	
3	725-0975		Ground Wire 9.0" Lg.		14	725-0976		Ground Wire 7.25" Lg.	
4	725-0201		Ignition Key		15	725-0634		Light Switch	
5	725-0267		Ignition Switch		16	725-0803		Safety Switch	
6	725-0925		Ammeter		17	725-0514		Battery	
7	722-0135		Foam Strip		18	725-0926		Electric Wire w/Boot	
8	725-0577		Safety Switch		19	725-0771		Solenoid	
9	725-0916		Ground Wire		20	725-1187		Wire Harness	

Models 530 thru 567, 600 thru 657 (without headlights)

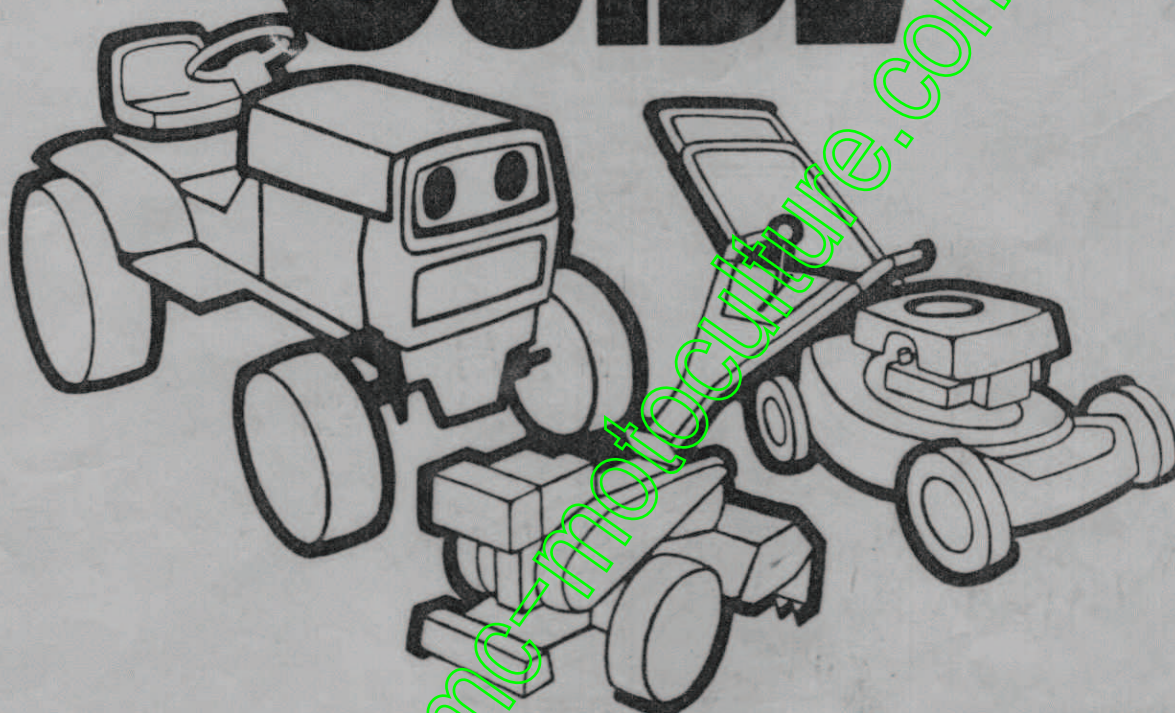


PARTS LIST FOR ELECTRICAL SYSTEM

REF. NO.	PART NO.	COLOR CODE	DESCRIPTION	NEW PART	REF. NO.	PART NO.	COLOR CODE	DESCRIPTION	NEW PART
1	725-0459		Circuit Breaker		7	725-0267		Ignition Switch	
2	725-0759		Reverse Safety Switch		8	725-0803		Safety Switch (P.T.O.)	
3	725-0926		Electric Wire w/Boot (Positive)		9	725-0577		Safety Switch (Clutch)	
4	725-0514		12V-Battery		10	725-0976		Ground Wire 7.25" Lg. (Engine)	
5	725-0975		Ground Wire 9.0" Lg. (Negative)		11	725-1189		Wire Harness	
6	725-0201		Ignition Key		12	725-0771		Solenoid	

\$1.00

OWNER'S GUIDE



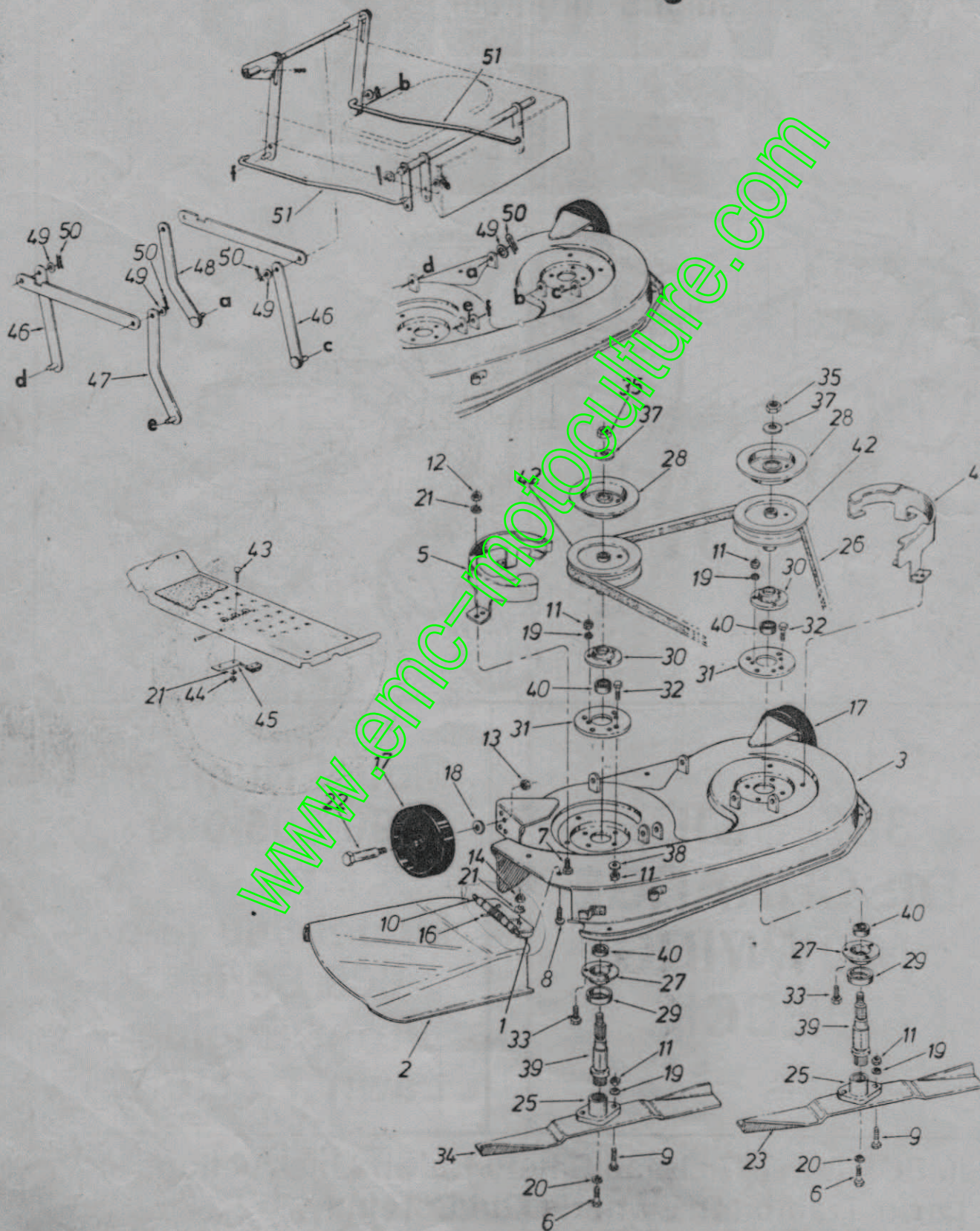
**38" SIDE
DISCHARGE
MOWING
DECK**

**Model Number
190-805-000
for
Model 500 and
600 Series
Front Engine
Lawn Tractors**

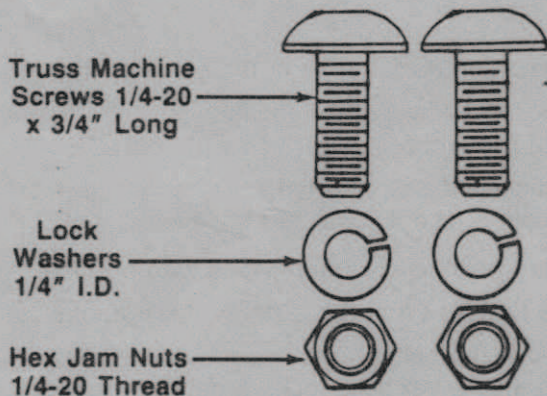
**IMPORTANT: Read Safety Rules and Instructions In
Lawn Tractor Owner's Guide Carefully.**

Model 805 Deck

38" Side Discharge Mowing Deck
Model 500 and 600 Series Front Engine Lawn Tractors



E ATTACHING THE CHUTE DEFLECTOR



ASSEMBLY INSTRUCTIONS

ATTACHING THE CHUTE DEFLECTOR (Hardware E)



WARNING

Do not operate your unit unless the chute deflector has been properly installed.

Place the chute deflector in position on the deck. Secure with truss machine screws, lock washers and hex nuts. See illustration on page 2 of this deck manual.

ADDITIONAL PARTS IN HARDWARE PACK

Model 805 Deck

PARTS LIST FOR 38" "DEEP" MOWING DECK

REF. NO.	PART NO.	COLOR CODE	DESCRIPTION	NEW PART	REF. NO.	PART NO.	COLOR CODE	DESCRIPTION	NEW PART
1	16521		Chute Bracket		29	13703		Bearing Shield	
2	16566		Chute Deflector		30	15296		Open Brg. Housing 1.85" I.D.	
3	16575		38" Deep Deck Ass'y.		31	15603		Spindle Meeting Plate	
	801-6576		38" Deep Deck Ass'y. Comp. (For Service Only)		32	710-0157		Hex Bolt 5/16-24 x .75"	
4	16607		Belt Guard Deck—L.H.		33	710-0888		Hex Bolt Special 5/16-24 x 1.0"	
5	16608		Belt Guard Deck—R.H.		34	742-0473		High-Lift Blade	
6	710-0152		Hex Bolt 3/8-24 x 1.00"		35	712-0318		Hex Jam Nut 5/8-18 Thd.	
7	710-0195		Hex Bolt 1/4-28 x .62"		37	736-0158		L-Wash. 5/8" I.D.	
8	710-0255		Truss Mach. Scr. 1/4-20 x .75"		38	736-0242		Bell-Wash. .345" I.D. x .88" O.D.	
9	710-0888		Hex Scr. Special 5/16-24 x 1.0"		39	738-0707		Blade Spindle	
10	711-0792		Hinge Pin		40	741-0919		Ball Brg. .787" I.D. x 1.85" O.D.	
11	712-0123		Hex Nut 5/16-24 Thd.		41	750-0456		Spacer 1.0" O.D. x .790" I.D. x .350"	
12	712-0138		Hex Nut 1/4-28 Thd.		42	756-0486		5" Dia. Pulley	
	712-0181		Hex Top L-Nut 3/8-16 Thd.		43	710-0134		Carr. Bolt 1/4-20 x .62"†	
	712-0298		Hex Jam Nut 1/4-20 Thd.		44	712-0287		Hex Nut 1/4-20 Thd.*†	
16	732-0542		Torsion Spring		45	761-0168		Blade Brake Ass'y.†	
17	734-0973		Deck Wheel		46	14804		Link Deck Hanger Ass'y.†	
18	736-0105		Bell-Wash. 40" I.D. x .88" O.D.		47	14800		Link Deck Hanger Ass'y. (Dog Leg)†	
19	736-0119		L-Wash. 5/16" I.D.		48	15925		Link Deck Hanger Ass'y.—L.H.†	
20	736-0217		L-Wash. 3/8" I.D.—H.D.		49	736-0160		Fl-Wash. .53" I.D. x .93" O.D.†	
21	736-0329		L-Wash. 1/4" I.D.		50	714-0101		Inter. Cotter Pin .50" Dia.†	
22	738-0373		Shld. Bolt .498" Dia. x 1.53"		51	711-0790		Stabilizer Rod†	
23	742-0473		High-Lift Blade						
25	748-0300		Blade Adapter						
26	754-0329		5L V-Belt						
27	08253		Bearing Housing 1.85" I.D.						
28	09322		Brake Disc						

†Not part of deck assembly complete.

*For faster service obtain standard nuts, bolts and washers locally. If these items cannot be obtained locally, order by part number and size as shown on parts list.

NOTE

Specifications subject to change without notice or obligation.

REFER TO THE LAWN TRACTOR OWNER'S MANUAL FOR SAFE OPERATION PRACTICES, AND CORRECT OPERATION AND MAINTENANCE INSTRUCTIONS. READ INSTRUCTIONS CAREFULLY.

DECK BELT REMOVAL AND REPLACEMENT

1. Place the lift lever in the disengaged position.
2. Remove the hex bolts (belt keepers) from the engine pulley belt guard. See figure 1.

NOTE

Your unit will have either two or three hex bolts. When reassembling, make certain hex bolts are assembled in the same locations from which they were removed. See figure 1.

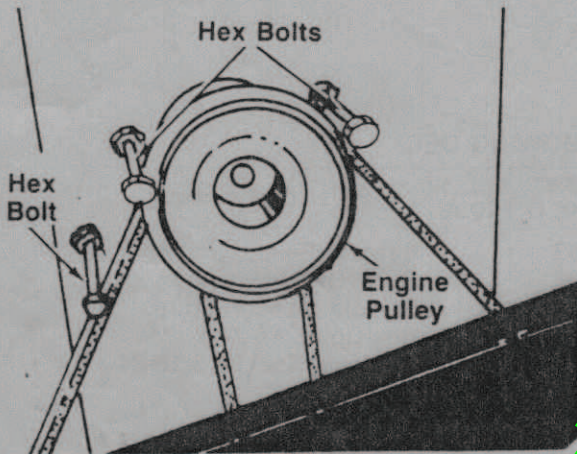


FIGURE 1.—Single Cylinder Engine Lawn Tractor Shown

NOTE

Figure 1 is shown with the unit tipped up for clarity. It is not necessary to tip the unit to remove the belts.

3. Unhook the deck belt from the engine pulley.
4. Place the lift lever in the engaged (all the way forward) position.
5. Disconnect the six deck links by removing the hair-pin cotters and flat washers.
6. Place the lift lever in the disengaged position.
7. Slide the deck from beneath the lawn tractor.
8. Remove the belt guards at each deck pulley by removing the hex bolts, lock washers and hex nuts. See figure 2.

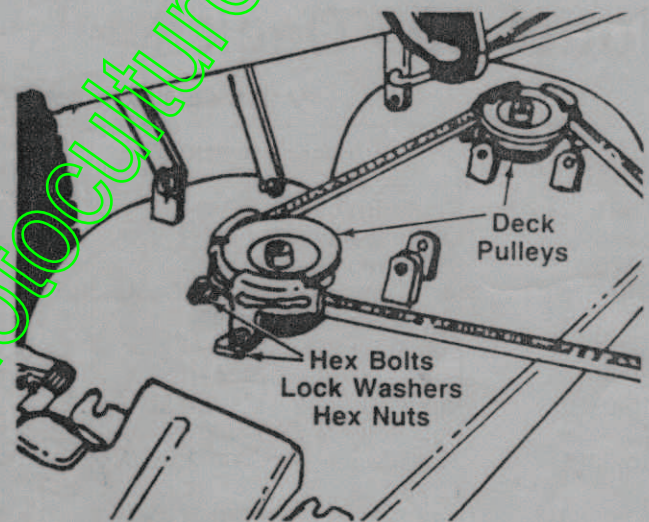


FIGURE 2.

9. Remove and replace the belt, following the instructions in reverse order.

www.emc-motoculture.com