
Bolens[®]

Riding Mower With 28, 30 & 36 Inch Mowers

Model 2028 2136

Serial Number
0100101 thru
0499999

Model 2030 2036

Serial Number
0100101 thru
0199999

Model 2128A 2136A

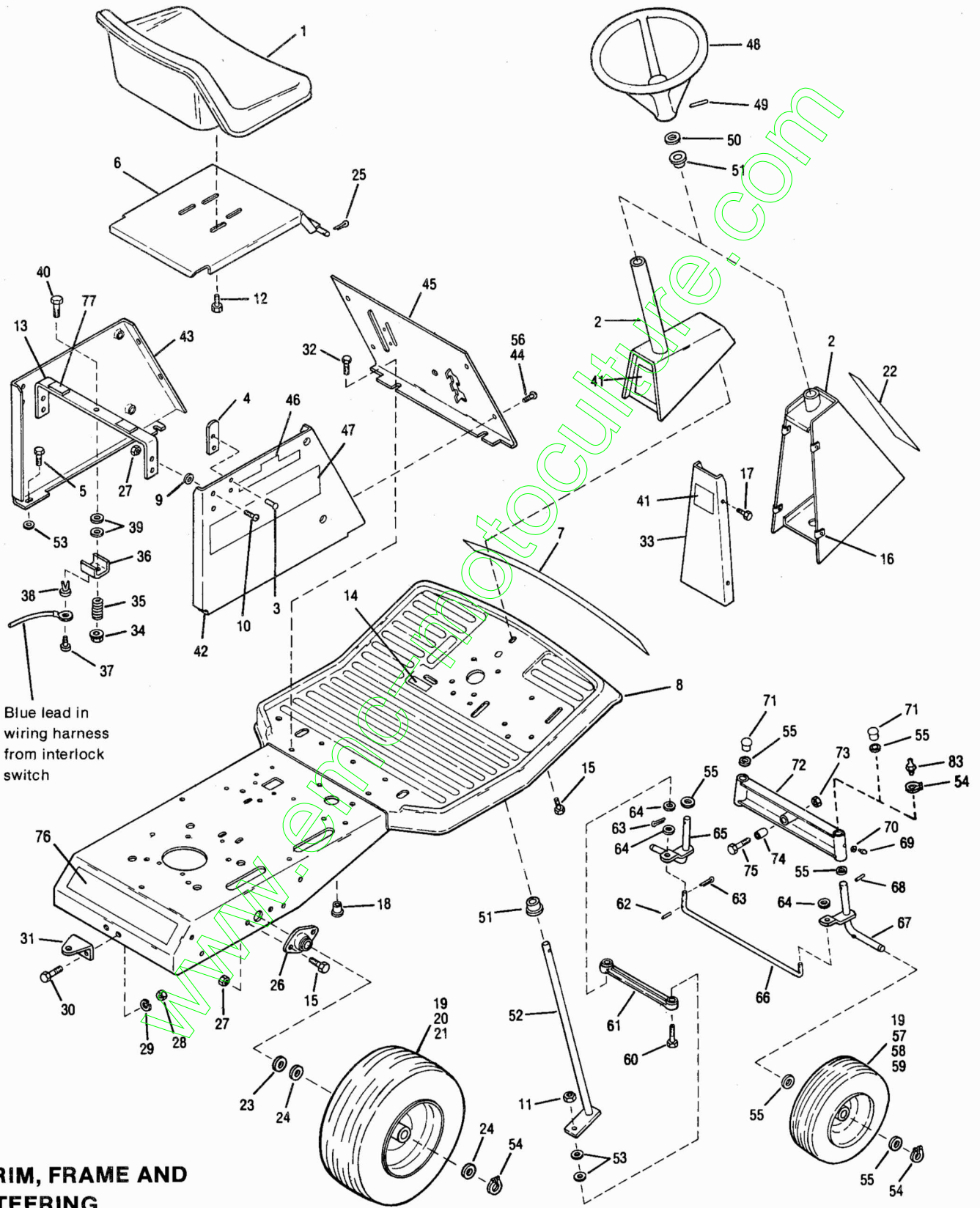
Serial Number
0100101 thru
0399999

Model 2027

Serial Number
0100101 thru
0199999

Parts List

BOLENS RIDING MOWER



TRIM, FRAME AND STEERING

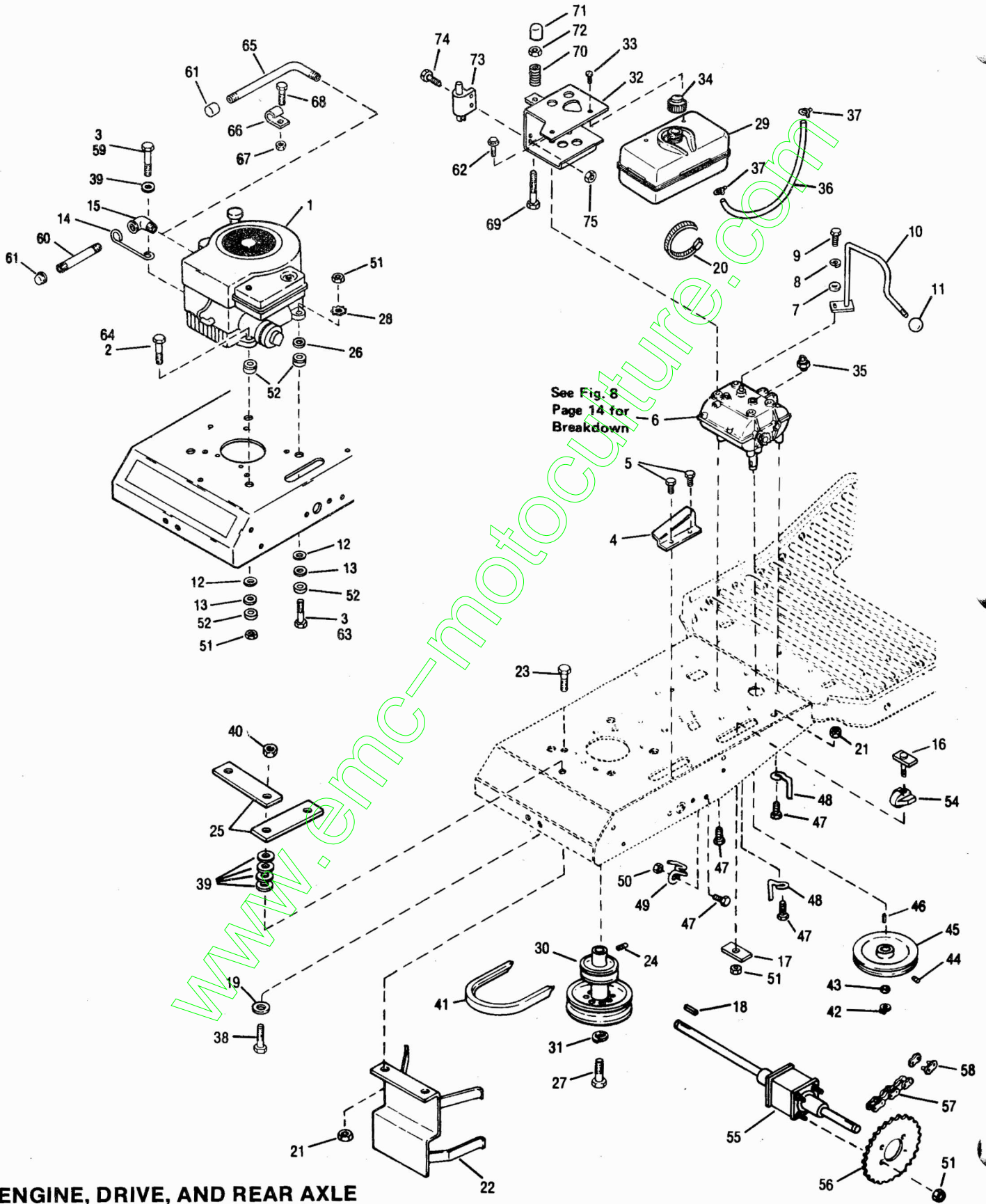
MODEL 2027, 2028, 2030, 2036, 2128A, 2136 AND 2136A

REF. NO.	PART NO.	DESCRIPTION	NO. REQ'D	REF. NO.	PART NO.	DESCRIPTION	NO. REQ'D
1	1747835	Seat (2030, 2036, 2136, 2136A) ...	1	45	1751208	Control Console (A) (B) (C)	1
	1753001	Seat (2028) (2027)	1		1756261	Control Console (D)	1
2	1735885	Column Supp. Ass'y (2028)	1	46	1751207	Decal, Shift	1
	1750314	Column Supp. Ass'y (2030, 2036, 2136, 2136A)	1	47	1755597	Decal, Logo (A) (B) (C)	1
3	1185878	Pop Rivet 3/16	2	48	1756427	Decal, Logo R.H. (D)	1
4	1751061	Shift Lever Stop	1		1756428	Decal, Logo L.H. (D)	1
5	1724491	Fl. Screw 5/16-18 x 3/4	4	49	1185279	Roll Pin 1/4 x 2-1/4	1
6	1750991	Seat Support	1	50	1708012	Flat Washer	1-3
7	1746478	Logo Decal (A) (B) (C)	1	51	1723994	Steering Bearing	2
	1756409	Logo Decal (D)	1	52	1749679	Steering Shaft Ass'y	1
8	1753165	Frame Ass'y	1	53	1107382	Flat Washer 5/16	4
9	1177548	Ext. Lock Washer 5/16 (A)	2	54	1185649	Retaining Ring	6
10	1185872	Screw 5/16-18 x 1 (A) (B) (C)	4	55	1708550	Washer	8
	1186097	Carriage Bolt (D)	4	56	1185894	Rd. Hd. Screw 1/4-20 x 1/2	4
11	1110107	Locknut, 5/16-18	1	57	1724159	Wheel Only (A) (B) (C) (D) (2028, 2136)	2
12	1185798	Fl. Screw 3/8-16 x 1/2	2		1756406	Wheel Only (D) (2027)	2
13	1750992	Rear Seat Support	1	58	1750794	Tire 4.10/3/50 x 4 (A) (B) (C)	2
14	1739763	Brake Decal (A) (B) (C)	1		1756445	Tire 4.10/3/50 x 4 (D)	2
	1756263	Brake Decal (D)	1	59	1724156	Inner Tube	2
15	1186329	Fl. Screw, 5/16-18 x 3/4	7	60	1100808	Hex Screw 5/16-18 x 1/1/4	1
16	1185456	Speed Nut 1/4-20 (2030, 2036, 2136)	4	61	1749676	Rod End Ass'y	1
17	1186309	Fl. Screw 1/4-20 x 5/8 (2030, 2036, 2136)	4	62	1704692	Roll Pin 1/4 x 1	2
			4	63	1100350	Cotter Pin 1/8 x 1	3
18	1735781	Rubber Tip (A)	2	64	1705108	Flat Washer	A/R
	1754130	Rubber Tip (B)	2	65	1749675	L.H. Spindle Ass'y (A) (B) (C)	1
19	1718086	Valve Ass'y	4		1755937	L.H. Spindle Ass'y (D)	1
20	1751269	Wheel Only (A) (B) (C)	2	66	1749677	Tie Rod	1
	1751269	Wheel Only (D) (2028, 2136)	2	67	1749674	R.H. Spindle Ass'y (A) (B) (C)	1
	1756606	Wheel Only (D) (2027)	2		1755936	R.H. Spindle Ass'y (D)	1
21	1726307	Tire, 16/6.50 x 8 (A) (B) (C)	2	68	1185348	Roll Pin 1/4 x 1-1/4 (A) (B) (C) ...	2
	1756447	Tire, 16/6.50 x 8 (D) (2028, 2136)	2	69	1185803	Grease Fitting (A) (B) (C)	2
	1756444	Tire, 4.80 x 4 x 8 (D) (2027)	2	70	1805368	Washer (A) (B) (C)	2
22	1751492	Console Decal (2030, 2036, 2136)	1	71	1726353	Rubber Tip (A)	2
23	1708550	Washer	2	72	1752553	Front Axle Ass'y	1
24	1700821	Thrust Washer	AR	73	1110110	Locknut, 1/2-13	1
25	1100356	Cotter Pin 3/32	2	74	1723925	Axle Pivot Shaft (A)	1
26	1741143	Pillow Block Bearing (A) (B)	2	75	1100075	Hex Screw 1/2-13 x 2-1/4	1
	1749193	Pillow Block Bearing (C)	2	76	1751277	Logo Decal (2028)	1
27	1186391	Flange Nut, 5/16-18	8		1746481	Logo Decal (2030)	1
28	1186261	Hex Nut, 1/2-13	2		1747940	Logo Decal (2036, 2136)	1
29	1100245	Flat Washer, 1/2	2	77	1723294	Pad (B)	2
30	1100054	Hex Screw, 1/2-13 x 1	2	78	1727418	Steering Wheel	1
31	1736145	Hitch	1	79	1756413	Model Decal R.H. (D) (2027)	1
32	1724491	Fl. Screw, 5/16-18 x 3/4	2		1756415	Model Decal R.H. (D) (2028)	1
33	1750313	Rear Panel (2030, 2036, 2136)	1		1756421	Model Decal R.H. (D) (2136)	1
34	1734398	Lock Nut, 1/4-20 (A)	1	80	1756414	Model Decal L.H. (D) (2027)	1
35	1713167	Compression Spring (A)	1		1756416	Model Decal L.H. (D) (2028)	1
36	1736045	Spring Bracket (A)	1		1756422	Model Decal L.H. (D) (2136)	1
37	1736392	Screw, No. 8-18 x 5/8 (A)	1	81	1756411	Stripe Decal R.H. (D)	1
38	1736384	Snap Nut, No. 8 (A)	1	82	1756412	Stripe Decal L.H. (D)	1
39	1107381	Flat Washer, 1/4 (A)	2	83	1731504	Grease Fitting (D)	2
40	1100807	Hex Screw, 1/4-20 x 2 (A)	1	84	1757225	Decal, Sound Level (2128A (D) ...	1
41	1750908	Caution Decal	1				
42	1750837	Console Support R.H.	1				
43	1750838	Console Support L.H.	1				
44	1186389	Fl. Nut 1/4-20	4				

• Common Hardware-Purchase Locally (Grade 5 where applicable)

(A) 2028, 2030 & 2036 S/N 0100101-0199999
 (B) 2028 S/N 0200101-0399999
 2136 S/N 0100101-0399999
 (C) 2128A & 2136A S/N 0100101-0299999
 (D) 2028, 2136 S/N 0400101-0499999
 2027 S/N 0100101-0199999
 2128A & 2136A S/N 0300101-0399999

BOLENS RIDING MOWER



ENGINE, DRIVE, AND REAR AXLE

MODEL 2027, 2028, 2030, 2036, 2128A, 2136 AND 2136A

REF. NO.	PART NO.	DESCRIPTION	NO REQ'D
1	*	Briggs & Stratton Engine Model 190707(2028)(A).....	1
		Model 190707 (2028) (A).....	1
		Model 191707 (2028) (B) (E) (F)	1
		Model 281707 (2128A, 2136A, 2136).....	1
		Model 253707 (2030, 2036).....	1
2	• 1100799	Hex Screw, 5/16 - 18 x 1-1/2 (C) (Rear RH)	1
	• 1111608	Hex Screw, 5/16 - 18 x 2-1/2 (A) (Rear R.H.)	1
3	• 1111609	Hex Screw, 5/16 - 18 x 2-3/4 (2028, 2030) (Rr LH and Front)	3
	• 1723995	Hex Screw, 5/16 - 18 x 2(2036) (Front)	2
4	1736224	Chain Guard.....	1
5	1724492	Flange Screw, 1/4 - 20 x 1/2	2
6	**	Transmission (See breakdown page 14).....	1
7	• 1107381	Flat Washer, 1/4	1
8	• 1100241	Lockwasher, 1/4	1
9	• 1100002	Hex Screw, 1/4 - 28 x 3/4	1
10	1750943	Shift Handle Assembly (A) (B) (C) (D) (E).....	1
	1755436	Shift Handle Assembly (F) (G) ...	1
11	1706756	Knob.....	1
12	1751720	Adapter Washer (2036)	4
13	1729245	Flat Washer (2036)	4
14	1751504	Pipe Support (A) (B) (C) (D)	1
15	1105029	Street Elbow 90° 3/8 NPT (A) (B) (C) (D)	1
16	1755375	Plate Ass'y	1
17	1755068	Chain Tightening Plate	1
18	1104335	Sq. Key 3/16 x 2	2
19	• 1107382	Flat Washer 5/16 (A)	2
20	• 1735531	Tie Cable.....	1
21	• 1186391	Flange Nut 5/16 - 18.....	3
22	1742803	Belt Guide Ass'y	1
23	• 1103195	Hex Screw 5/16 - 18 x 5/8.....	2
24	• 1738845	Set Screw 1/4-20 x 1/2 (A) (B) (C) (D) (E)	2
25	1738590	Strap (A)	2
26	1713233	Flat Washer (A)	2
27	1738598	Hex Screw 7/16 - 20 x 1	1
28	1110645	External Lock Washer (Front)	2
29	1744862	Fuel Tank (Incl. Ref. No. 34) (A) (B) (C) (D) (E)	1
	1755625	Fuel Tank (Incl. Ref. No. 34) (F)	1
	1755540	Fuel Tank (Incl. Ref. No. 34) (G)	1
30	1737434	Engine Pulley (B) (C) (E) (F) (G)	1
	1738229	Engine Pulley (A)	1
31	• 1100244	Lock Washer 7/16.....	1
32	1750940	Fuel Tank Bracket (A,C,D).....	1
	1752919	Fuel Tank Bracket (E) (F) (G)	1
33	1737969	Fuel Tank Screw	1
34	1747187	Fuel Cap (A) (B) (C) (D) (E)	1
	1755541	Fuel Cap (F) (G)	1
35	• 1751561	Safety Switch (A,C,D)	1
36	1734942	Fuel Line	1
37	1750687	Hose Clamp	2

• Common Hardware-Purchase Locally(Grade 5 where applicable)

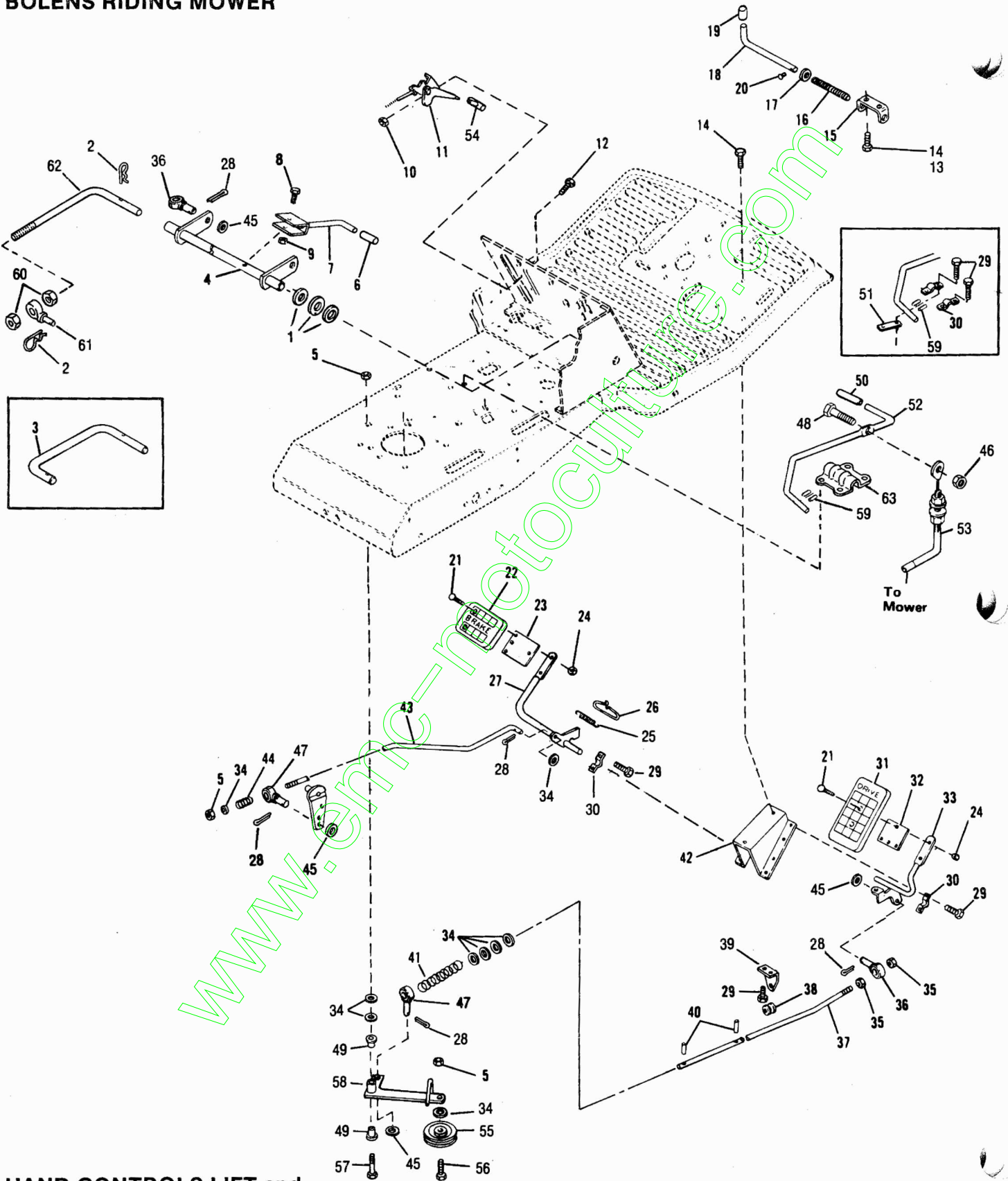
REF. NO.	PART NO.	DESCRIPTION	NO REQ'D
38	• 1100808	Hex Screw 5/16 - 18 x 1-1/4" (A)	1
39	1891733	Washer (A)	5
40	• 1110107	Locknut, 5/16 - 18 (A)	1
41	1731719	V-Belt 51-9/32	1
42	1118808	Retaining Ring.....	1
43	• 1107386	Flat Washer, 5/8	1
44	1185596	Set Screw, 5/16 - 18 x 5/16	2
45	1736489	Transmission Sheave.....	1
46	1104436	Woodruff Key, 3/16 x 3/4	1
47	• 1186329	Flange Screw, 5/16 - 18 x 3/4	4
48	1728938	Guide Belt.....	2
49	1736046	Chain Guide.....	1
50	• 1186391	Flange Nut, 5/16 - 18	1
51	• 1732499	Locknut, 5/16 - 18.....	9
52	1734894	Rubber Mount (A).....	4
53	• 1186328	Fl. Screw 5/16-18 x 5/8	2
54	1755376	Chain Tightner	1
55	**	Differential Ass'y (See breakdown page 15).....	1
56	1751317	48T Sprocket	1
57	1749067	Drive Chain.....	1
58	1749068	Connector Link	1
59	• 1100779	Hex Screw 5/16-18 x 1-3/4 (2036) Rear L.H.	1
60	1745581	Pipe Nipple (A) (B) (C) (D)	1
61	1745688	Pipe Cap	1
62	1740496	Fl. Screw 5/16-18 x 5/8	2
63	• 1100779	Hex Screw 5/16-18 x 1-3/4 (Front) (E) (F) (G)	2
64	• 1100799	Hex Screw 5/16-18 x 1-1/2 (Rear) (E) (F) (G)	2
65	1752488	Drain Tube (E) (F) (G).....	1
66	1753285	Clip (E) (F) (G)	1
67	• 1186389	Fl. Nut 1/4-20 (E) (F) (G)	1
68	• 1111599	Hex Screw 1/4-20 x 5/8 (E)(F)(G)	1
69	• 1186415	Hex Screw 3/8-16 x 4-1/2 (E) (F) (G).....	1
70	1744035	Comp. Spring (E) (F) (G)	1
71	1752923	Handle Grip (E) (F)	1
	1756268	Handle Grip (G)	1
72	• 1110108	Lock Nut 3/8-16 (E) (F) (G)	1
73	1751340	Switch (E) (F) (G)	1
74	• 1115815	Screw #10-24 x 5/8 (E) (F) (G) ...	2
75	• 1185985	Nut #10-24 (E) (F) (G)	2

* Purchase parts from your local Briggs & Stratton Outlet

** Purchase parts from your local Tecumseh, Power Products Outlet

- (A) 2028 S/N 0100101-0103309 & 2030
- (B) 2028 S/N 0103310 - 0199999
- (C) 2036
- (D) 2136 S/N 0100101-0199999
- (E) 2028 & 2136 S/N 0200101 - 0299999, 2128A & 2136A
- (F) 2028 & 2136 S/N 0300101 - 0399999
- (G) 2028 & 2136 S/N 0400101-0499999
- 2027 S/N 0100101-0199999

BOLENS RIDING MOWER



HAND CONTROLS LIFT and BRAKE CONTROLS

MODEL 2027, 2028, 2030, 2036, 2128A, 2136 AND 2136A

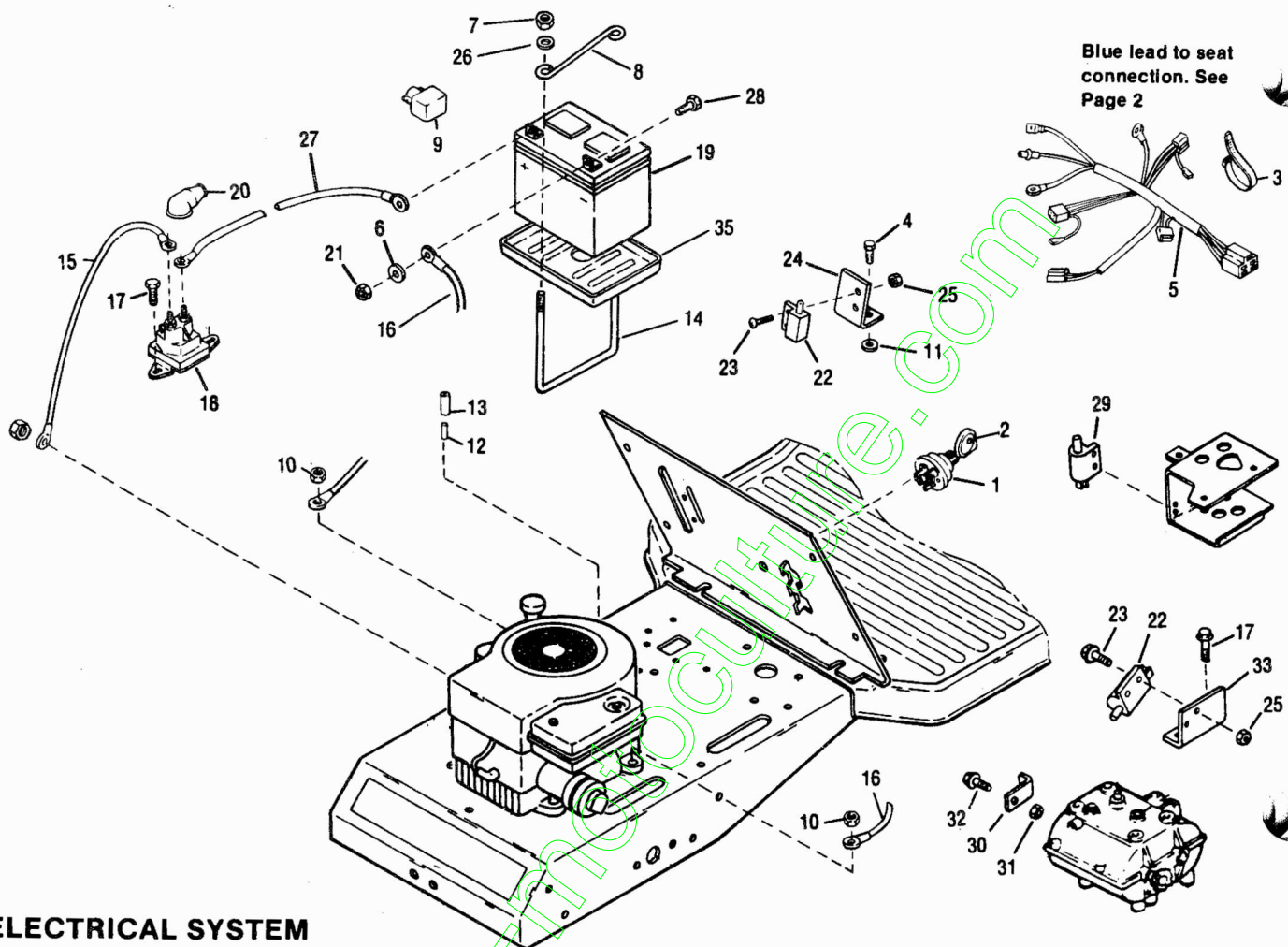
REF. NO.	PART NO.	DESCRIPTION	NO REQ'D
1	• 1107385	Flat Washer, 1/2	3
2	1703011	Hitch Pin	4
3	1751084	Lift Link (A)	2
4	1751082	Lift Assembly	1
5	• 1110108	Locknut, 3/8 - 16	2
6	1718534	Handle Grip	1
7	1735837	Lift Handle Ass'y	1
8	• 1100799	Hex Screw, 5/16 - 18 x 1 - 1/2	1
9	1732499	Lock Nut, 5/16 - 18	1
10	1185985	Keps Nuts, No. 10 - 24	2
11	1744071	Throttle Control	1
12	• 1115815	Machine, Screw No. 10 - 24 x 5/8	2
13	• 1186391	Flange Nut, 5/16 - 18	2
14	• 1186327	Flange Screw, 5/16 - 18 x 1/2	4
15	1735822	Brake Lock Bracket	1
16	1706930	Compression Spring	1
17	1707397	Washer	1
18	1724305	Brake Lock Rod	1
19	1724230	Grip	1
20	1724751	Drive Screw, No. 8 x 3/8	1
21	• 1186073	Carriage Bolt, 1/4 - 20 x 1 - 1/4	4
22	1724309	Brake Pedal	1
23	1724418	Spacer	1
24	• 1186389	Flange Nut, 1/4 - 20	4
25	1892471	Extension Spring	1
26	1724961	Link	1
27	1724298	Brake Lever Ass'y	1
28	• 1100356	Cotter Pin, 3/32 x 1	6
29	1724492	Flange Screw 1/4 - 20 x 1/2	14
30	1735825	Clamp (A)	4

REF. NO.	PART NO.	DESCRIPTION	NO REQ'D
31	1724310	Clutch Pedal	1
32	1724798	Spacer	1
33	1724300	Clutch Lever Ass'y	1
34	• 1107383	Flat Washer, 3/8	11
35	• 1186259	Jam Nut, 3/8 - 16	2
36	1747507	Special Screw	3
37	1727697	Clutch Rod	1
38	1185585	Flip Grommet	1
39	1728935	Bracket	1
40	1185479	Roll Pin, 3/32 x 5/8	2
41	1728908	Compression Spring	2
42	1735827	Support Ass'y	1
43	1729404	Brake Rod	1
44	1728907	Compression Spring	1
45	• 1107382	Flat Washer 5/16	4
46	1734398	Lock Nut 1/4-20	1
47	1751848	Swivel	2
48	• 1100069	Hex Screw 1/4-20 x 1	1
49	1115538	Flanged Bearing	2
50	1737041	Handle Grip	1
51	1724208	Strip (A)	2
52	1751331	PTO Handle	1
53	1747926	Cable Ass'y	1
54	1719268	Control Knob	1
55	1710567	Idler Pulley	1
56	• 1100047	Hex Screw 3/8-16 x 1-1/2	1
57	1736221	Shoulder Bolt	1
58	1736220	Idler Arm Ass'y	1
59	1177625	Roll Pin 1/8 x 3/4 (A)	2
60	1185496	Locking Jam Nut (B)	4
61	1756467	Pivot Block (B)	2
62	1756301	Lift Link (B)	2
63	1752676	Clamp (B)	1
64	1733398	Lock Nut 3/8-16 (B)	1

• Common Hardware Purchase Locally (Grade 5 where applicable)

(A) 2028 & 2136 S/N 0100101-0399999
2030
2036
(B) 2028 & 2136 S/N 0400101-0499999
2027 S/N 0100101-0499999

BOLENS RIDING MOWER



Blue lead to seat connection. See Page 2

ELECTRICAL SYSTEM

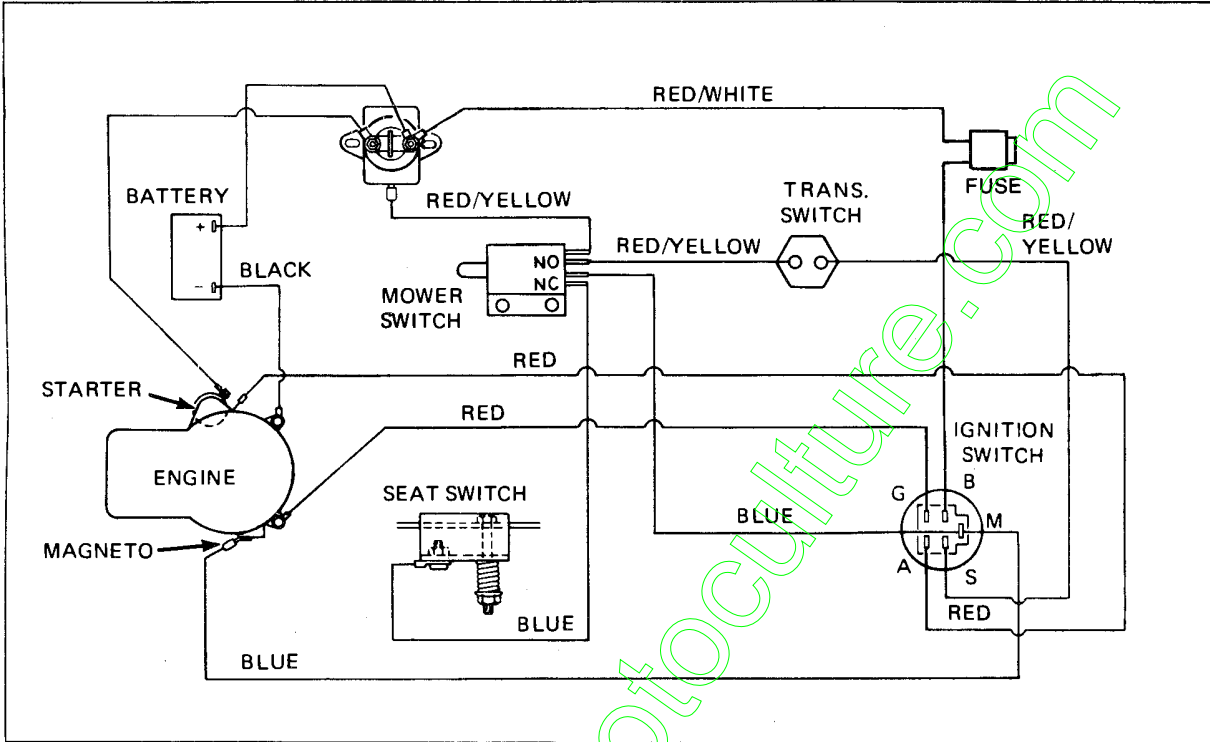
REF. NO.	PART NO.	DESCRIPTION	NO. REQ'D
1	1734196	Ignition Switch (Incl. Ref. No. 2)	1
2	1728266	Key, Ignition	1
3	1735531	Cable Tie	2
4	1724491	Fl. Screw 5/16-18 x 3/4	1
5	1751338	Main Wiring Harness (A)	1
	1753163	Main Wiring Harness (B) (C)	1
	1756429	Main Wiring Harness (D)	1
6	1100241	Lock Washer 1/4	2
7	1734398	Lock Nut 1/4-20	2
8	1751308	Battery Clamp	1
9	1734364	Cable Boot	1
10	1186258	Hex Nut, 5/16-18	2
11	1107382	Flat Washer 5/16	1
12	1185232	Roll Pin	2
13	1736808	Plastic Tube	2
14	1751307	Battery Rod	2
15	1741506	Battery Cable	1
16	1736689	Battery Cable, Ground	1
17	1724492	Flange Screw, 1/4-20 x 1/2	4
18	1751569	Solenoid (A)	1
	1752137	Solenoid (B)	1
19	1751497	Battery	1
20	1715012	Insulator Boot	1
21	1186229	Nut, No. 4-40	2

REF. NO.	PART NO.	DESCRIPTION	NO. REQ'D
22	1751328	Interlock Switch	2
23	1115815	Screw, No. 10-24 x 5/8	4
24	1751330	Switch Bracket	1
25	1185985	Nut, 10-24	4
26	1107381	Flat Washer 1/4	2
27	1736491	Battery Cable	1
28	1111599	Hex Screw 1/4-20 x 5/8	2
29	1751328	Switch (B)	1
30	1752921	Switch Bracket (B)	1
31	1186391	Fl. Nut 5/16-18 (B)	1
32	1186328	Fl. Screw 5/16-18 x 5/8 (B)	1
33	1752920	Switch Plate (B)	1
34	1743516	Fuse (30 amp)	1
35	1753784	Battery Tray (C)	1

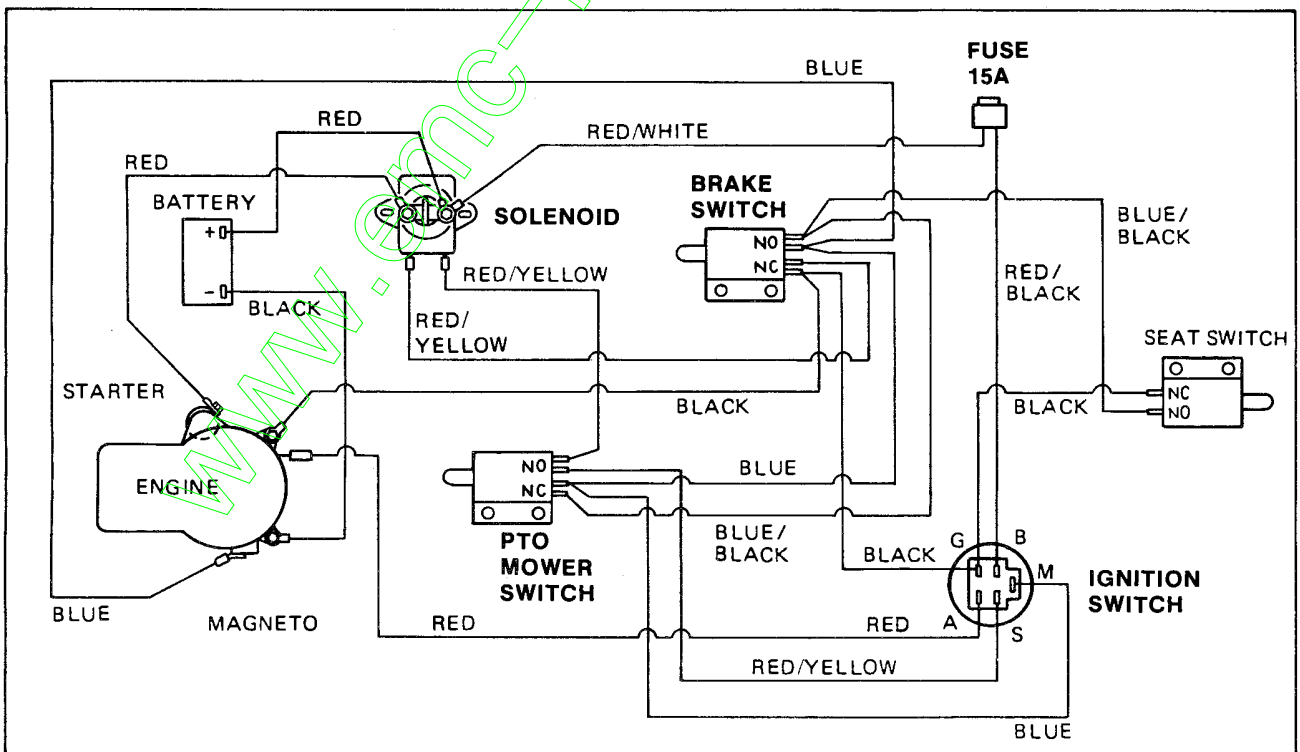
- (A) 2028, 2030 & 2036 S/N 0100101-0199999
- (B) 2028 S/N 0200101-0299999
2128A & 2136A S/N 0100101-0199999
2136 S/N 0100101-0299999
- (C) 2028 S/N 0301465-0399999
2136 S/N 0300535-0399999
2128A & 2136A S/N 0200101-0299999
- (D) 2028 & 2136 S/N 0400101-0499999
2027 S/N 0100101-0199999

WIRING DIAGRAM

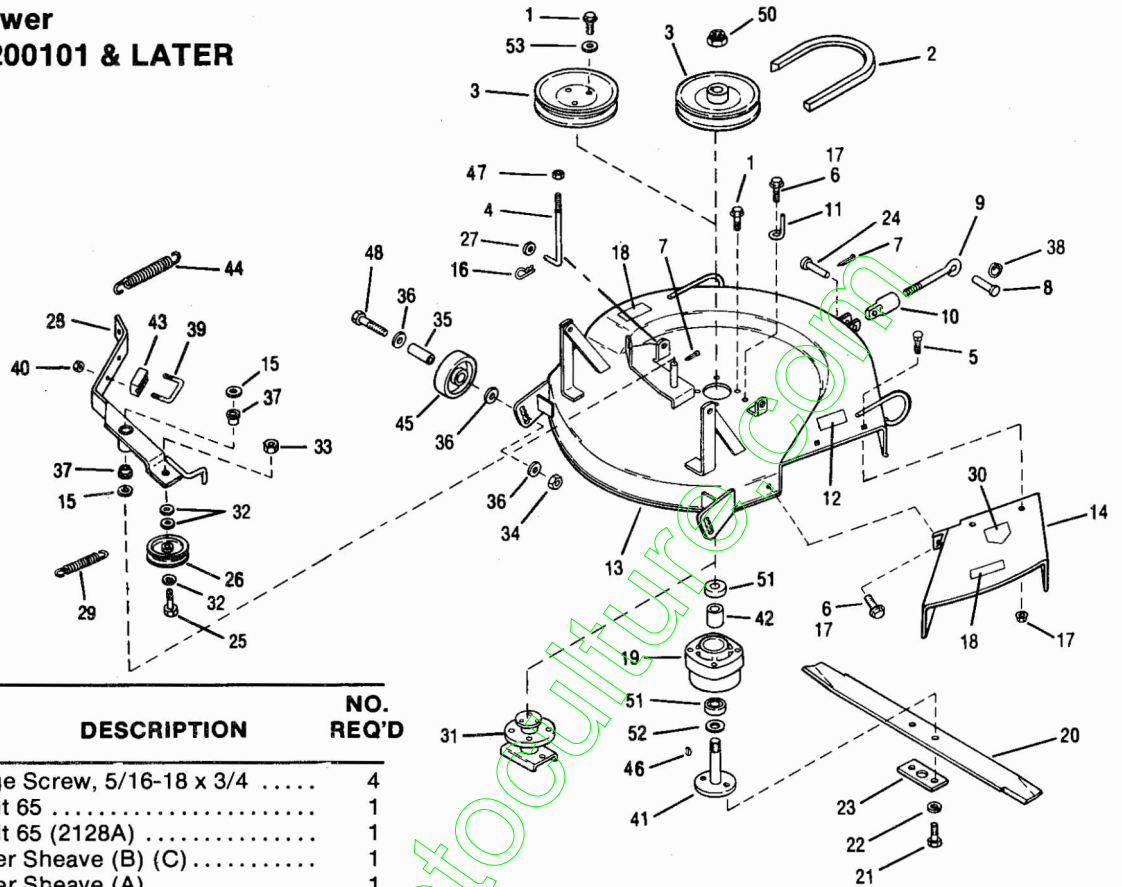
MODELS 2028-01, 2030 AND 2036



MODELS 2027, 2028-02 & 03, 2128A, 2136 AND 2136A



Bolens 28 Inch Mower
Model 2028 S/N 0200101 & LATER
Model 2128A
Model 2027



REF. NO.	PART NO.	DESCRIPTION	NO. REQ'D
1	• 1724491	Flange Screw, 5/16-18 x 3/4	4
2	1738496	V-Belt 65	1
	1722238	V-Belt 65 (2128A)	1
3	1751494	Mower Sheave (B) (C)	1
	1746586	Mower Sheave (A)	1
4	1742500	Lift Rod	2
	1742348	Lift Rod (2128A)	2
5	• 1186098	Carriage Bolt, 5/16-18 x 3/4	2
6	• 1186329	Flange Screw, 5/16-18 x 3/4	3
7	1100349	Cotter Pin, 1/8 x 3/4	3
8	1730851	Clevis Pin	1
9	1736435	Rod	1
10	1752554	Rod End	1
11	1720878	Finger Belt	1
12	1756264	Decal, Danger	1
13	1752427	Mower Base Ass'y w/Decals (Incl. Ref. 12)	1
	1755148	Mower Base Ass'y w/Decals (Incl. Ref. 12) (2128A)	1
14	1737589	Chute Deflector	1
15	1702646	Flat Washer, 1/4	1-3
16	1703011	Hitch Pin	2
17	• 1186391	Flange Nut, 5/16-18	5
18	1736483	Decal, No Step (A) (B)	2
	1756265	Decal, No Step (C)	2
19	1724029	Mower Spindle Housing	1
20	1743407	Mower Blade (A) (B)	1
	1753096	Mower Blade (C)	1
21	1100009	Screw, 3/8-24 x 1	2
22	• 1100243	Lockwasher, 3/8	2
23	1724051	Blade Doubler	1
24	1722409	Pin Clevis	1
25	• 1100043	Hex Screw, 3/8-16 x 1-1/4	1
26	1754560	Idler Pulley	1
27	1711396	Flat Washer	2
28	1754548	Idler Arm Assembly	1
29	1700401	Extension Spring	1
30	• 1100255	Flat Washer 5/16 (A)	3

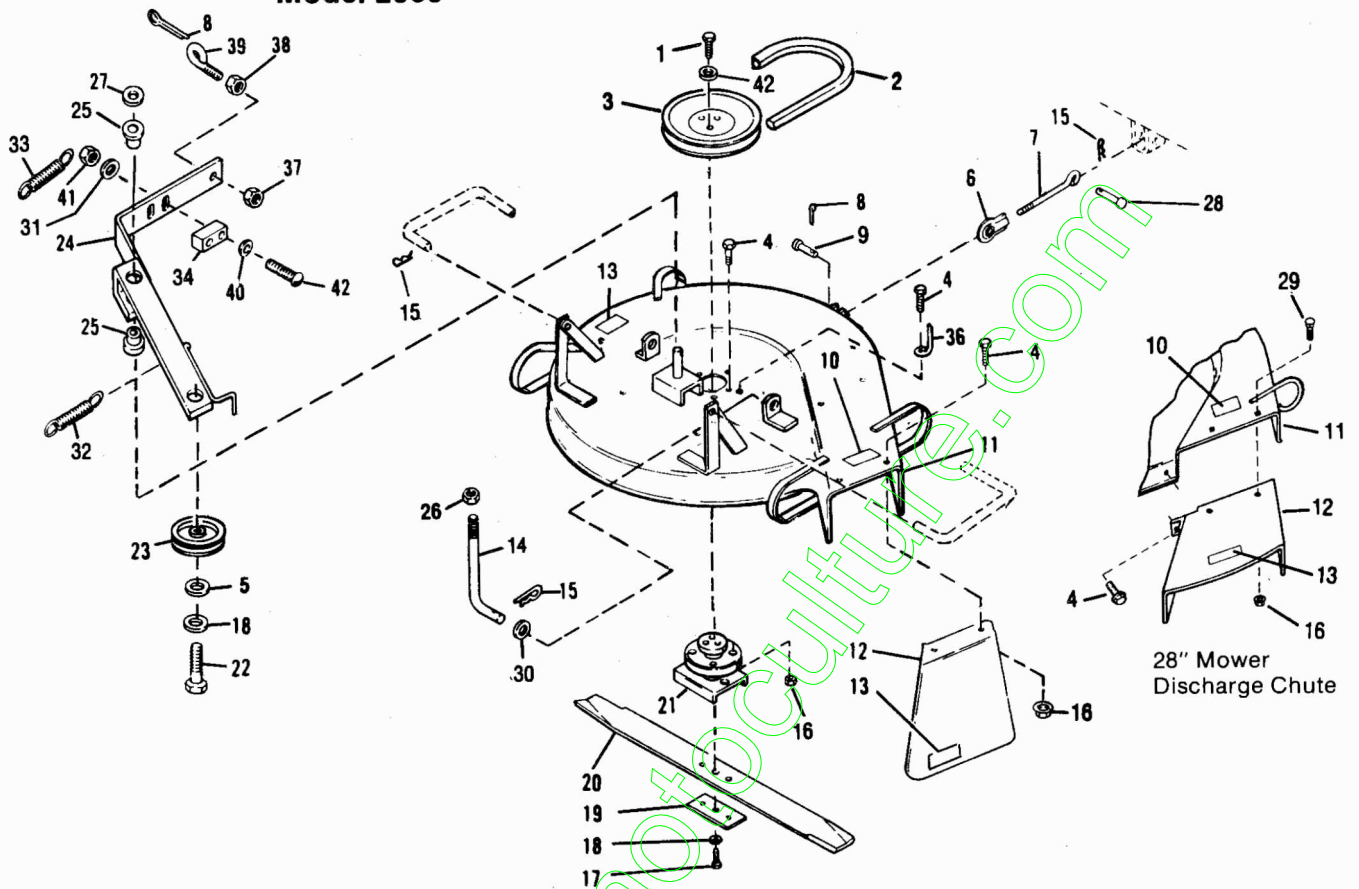
REF. NO.	PART NO.	DESCRIPTION	NO. REQ'D
31	1752807	Mower Spindle Ass'y (A)	1
32	• 1107383	Flat Washer 3/8	1
33	• 1110108	Lock Nut 3/8	1
34	1734514	Nut 1/2-13	2
35	1737696	Spacer	2
36	• 1107385	Flat Washer 1/2	6
37	1715538	Flanged Nyloner	2
38	1751908	Circle Clip	1
39	1752443	U-Bolt	1
40	• 1185460	Lock Nut No. 10	2
41	1753489	Shaft Ass'y (B)	1
42	1746869	Spacer (B)	1
43	1752442	Brake Block	1
44	1756595	Extension Spring	1
45	1737697	Gage Wheel	1
46	1104436	Woodruff Key 3/16 x 3/4 (B)	1
47	• 1110107	Lock Nut 5/16-18	2
48	• 1100056	Hex Screw 1/2-13 x 2-1/2	2
50	1185093	Hex Nut, 3/4-16 (B)	1
51	1185574	Ball Bearing (B) (C)	2
52	1740627	Washer (B) (C)	1

- (A) Model 2028 S/N 0200101-0200193
 (B) Model 2028 S/N 0200194-0399999
 Model 2128A S/N 0100101-0299999
 (C) Model 2028 S/N 0400101-0499999
 Model 2027 S/N 0100101-0199999
 Model 2128 S/N 0300101-0399999

•Common Hardware - Purchase Locally (Grade 5 where applicable)

Mower Assembly - Model 2028 S/N 0100101 - 0199999
Model 2030

MODEL 2028 & 2030



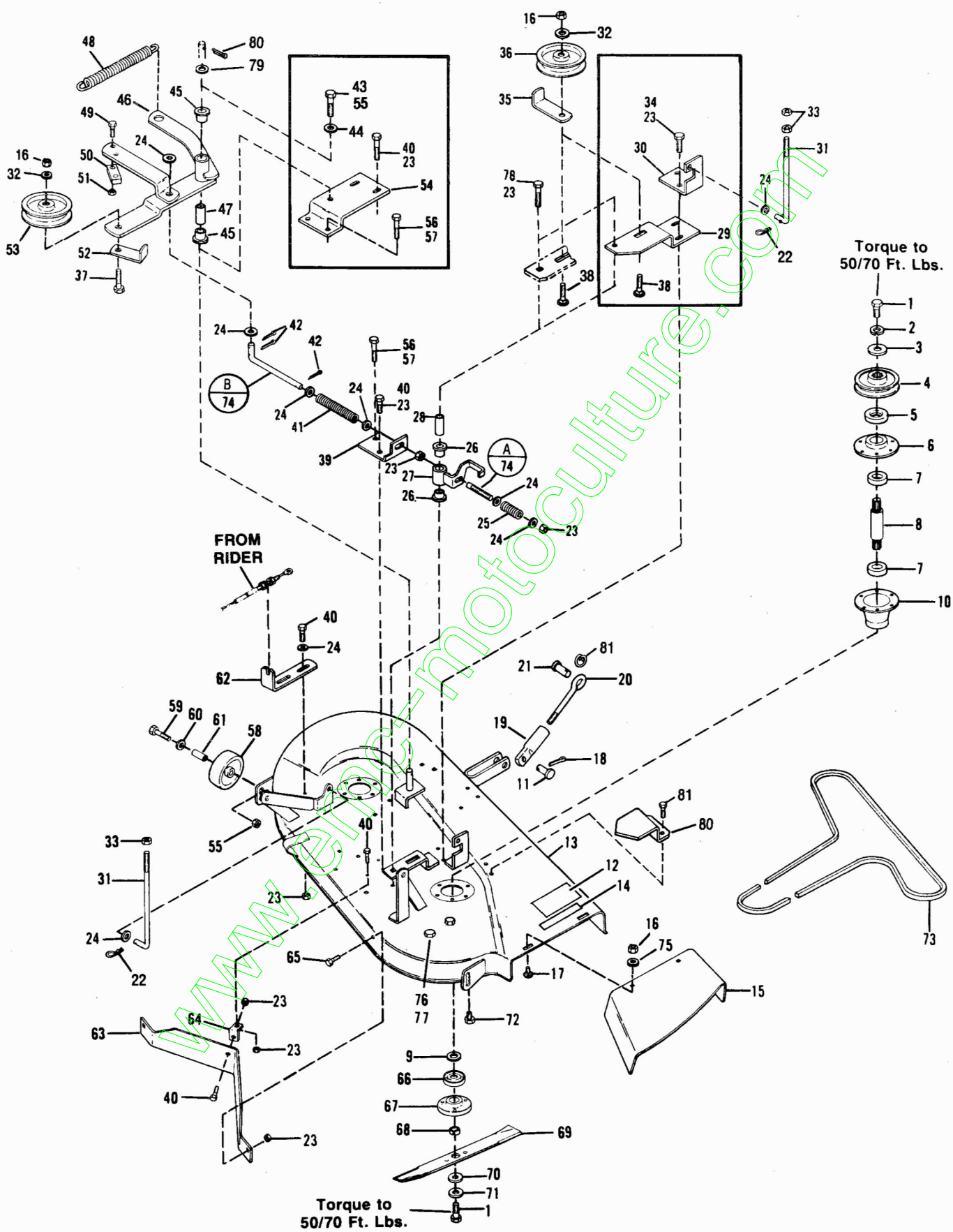
REF. NO.	PART NO.	DESCRIPTION	NO. REQ'D
1	1724491	Flange Screw, 5/16-18 x 3/4	3
2	1738511	V-Belt 66" (B)	1
	1738496	V-Belt 65" (A)	1
3	1736586	Sheave	1
4	• 1186329	Flange Screw, 5/16-18 x 3/4	7
5	• 1107383	Flat Washer (B)	1
6	1725754	Rod End	1
7	1736435	Rod	1
8	• 1100349	Cotter Pin, 1/8 x 3/4	3
9	1722409	Clevis Pin	1
10	1750715	Decal Warning	1
11	1752035	Base Ass'y w/Decal (Incl. Ref. 10) (B)	1
	1752036	Base Ass'y w/Decal (Incl. Ref. 10) (A)	1
12	1735316	Chute Deflector (B)	1
	1737589	Chute Deflector (A)	1
13	1736483	Decal, No Step	2
14	1742348	Lift Rod (B)	2
	1742500	Lift Rod (A)	2
15	1703011	Hitch Pin	3
16	• 1186391	Flange Nut, 5/16-18	8
17	1736781	Nylok Screw, 3/8-24 x 1-1/4	1
18	• 1100243	Lockwasher 3/8	2
19	1735287	Blade Doubler	1
20	1735670	Mower Blade (B)	1
	1743407	Mower Blade (A)	1

REF. NO.	PART NO.	DESCRIPTION	NO. REQ'D
21	1742808	Mower Spindle Ass'y (B)	1
	1742807	Mower Spindle Ass'y (A)	1
22	• 1100047	Hex Hd. Screw, 3/8-16 x 1-1/2	1
23	1749764	Idler Pulley	1
24	1737204	Idler Arm Ass'y	1
25	1715538	Bushing	2
26	• 1110107	Lock Nut 5/16-18	2
27	1702646	Washer	1-3
28	1730851	Clevis Pin	1
29	• 1186098	Carr. Bolt 5/16-18 x 3/4 (A)	2
30	1711396	Flat Washer	2
31	• 1103959	Flat Washer No. 10	2
32	1700401	Ext. Spring	1
33	1738492	Ext. Spring	1
34	1737281	Brake Block	1
35	1738493	Screw No. 10-24 x 1-3/8	2
36	1720878	L.H. Belt Guide	1
37	• 1734398	Lock Nut 1/4-20	1
38	• 1186229	Nut 1/4-20	1
39	1738140	Eye Bolt	1
40	1737233	Countersunk No. 10 Washer	2
41	• 1185985	Lock Nut No. 10-24	2
42	• 1100255	Flat Washer 5/16	1

(A) Model 2028 Serial Number 0100101 thru 0199999
 (B) Model 2030 Serial Number 0100101 thru 0199999

• Common Hardware Purchase Locally (Grade 5 where applicable)

BOLENS 36 INCH MOWER



MODEL 2036 & 2136

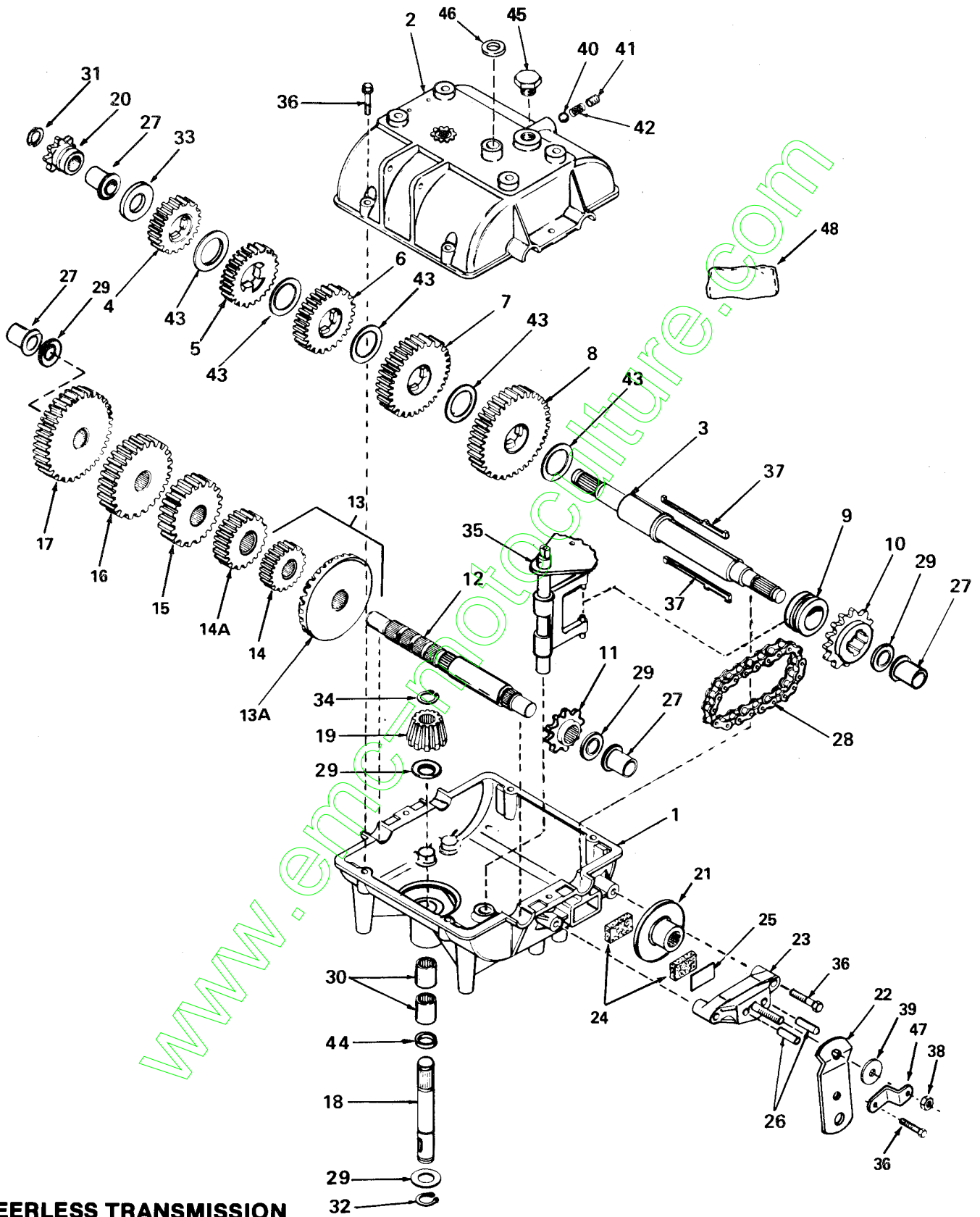
REF. NO.	PART NO.	DESCRIPTION	NO. REQ'D
1	1747656	Hex Screw 7-16-14 x 1	4
2	• 1100244	Lock Washer 7/16.....	2
3	1736484	Flat Washer 7/16.....	2
4	1747935	Spindle Sheave Assembly	2
5	1747642	Upper Bearing Shield	2
6	1747644	Top Arbor Housing	2
7	1185574	Ball Bearing	4
8	1747648	Arbor Shaft.....	2
9	1747643	Shim Washer	2
10	1747645	Bottom Arbor Housing	2
11	1722409	Clevis Pin 1/2 Dia.	1
12	1750715	Warning Decal (1) (2)	1
	1756264	Warning Decal (3)	1
13	1748553	Mower Base Assembly w/Decals (Incl. Ref. 12) (1) ...	1
	1755356	Mower Base Assembly w/Decals (Incl. Ref. 12) (2) ...	1
	1754518	Mower Base Assembly w/Decals (Incl. Ref. 12) (3) ...	1
14	1729037	Cutting Line Decal (1) (2) (3)	1
	1756266	Cutting Line Decal (3).....	1
15	1747635	Mower Deflector	1
16	1733398	Top Lock Nut 3/8-16	4
17	• 1739656	Carriage Bolt 3/8-16 x 3/4	2
18	• 1100349	Cotter Pin 1/8 x 3/4	1
19	1752554	Rod End	1
20	1736435	Rod End	1
21	1730851	Clevis Pin 1/2 Dia.	1
22	1703011	Spring Pin.....	2
23	1732499	Top Lock Nut 5/16-18	15
24	• 1107382	Flat Washer 5/16.....	10
25	1728075	Compression Spring	1
26	1715716	Bushing 1/2 Dia.	2
27	1747920	Brake Arm Assembly	1
28	1747921	Spacer	1
29	1747917	Idler Support (1)	1
30	1747915	Lift Bracket	1
31	1742500	Lift Rod	2
32	• 1107383	Flat Washer 3/8	2
33	• 1110107	Hex Nut 5/16-18	2
34	• 1100078	Hex Screw 5/16-18 x 7/8	2
35	1747919	Belt Guide	1
36	1728810	Flat Idler 4" Dia.	1
37	• 1100048	Hex Screw 3/8-16 x 2	2
38	• 1186131	Carriage Bolt 3/8-16 x 1-1/2	1

REF. NO.	PART NO.	DESCRIPTION	NO. REQ'D
39	1747918	Spring Anchor Bracket.....	1
40	• 1100044	Hex Screw 5/16-18 x 3/4	8
41	1746788	Compression Spring	1
42	• 1100346	Cotter Pin 3/32 x 3/4	3
43	• 1100080	Hex Screw 1/2-13 x 2-3/4 (1)	1
44	• 1100257	Flat Washer 1/2 (1).....	1
45	1717263	Bushing 3/4	2
46	1747930	Idler Arm Assembly	1
47	1747928	Tubular Spacer (1).....	1
48	1756595	Extension Spring	1
49	1747939	Hex Screw #10-24 x 1-1/4	2
50	1747934	Brake Block	1
51	• 1185985	Keps Nut #10-24	2
52	1747927	Belt Guide	1
53	1749764	Flat Idler 3-1/2 Dia.	1
54	1747925	Idler Support (1)	1
55	1734514	Hex Nut 1/2-13	3
56	• 1100805	Hex Screw 1/4-20 x 3/4.....	2
57	1734398	Top Lock Nut 1/4-20	2
58	1737697	Gauge Wheel	2
59	• 1100056	Hex Screw 1/2-13 x 2-1/2.....	2
60	• 1107385	Flat Washer 1/2	2
61	1737696	Spacer	2
62	1747916	Clutch Cable Support	1
63	1747631	Baffle	1
64	1747633	Mower Bracket	1
65	• 1186469	Carriage Bolt 5/16-18 x 3/4 ...	2
66	1747641	Grass Shield	2
67	1747639	Blade Adapter	2
68	1748409	Mower Arbor Collar	2
69	1747640	Mower Blade	2
70	1747638	Spindle Washer 7/16	2
71	1747637	Spring Washer 7/16	2
72	1724491	Flange Screws 5/16-18 x 3/4	12
73	1747938	V-Belt (97.3").....	1
74	1747924	Brake Rod	1
75	1749823	Washer (1)	2
76	• 1186327	Flange Screw 5/16-18 x 3/4 ...	2
77	• 1186391	Flange Nut, 5/16-18	2
78	• 1100779	Hex Screw 5/16-18 x 1-3/4....	1
79	1700821	Flat Washer (2)	1
80	• 1100351	Cotter Pin 1/8 x 1-1/4 (2) (3)	1
81	1751908	Circle Spring Ring (2)	1

• Common Hardware Purchase Locally (Grade 5 where applicable)

(1) 2036 S/N 0100101-0199999
 2136 S/N 0100101-0299999
 (2) 2136 S/N 0300101-0399999
 (3) 2136 S/N 0400101-0499999

BOLENS RIDING MOWER



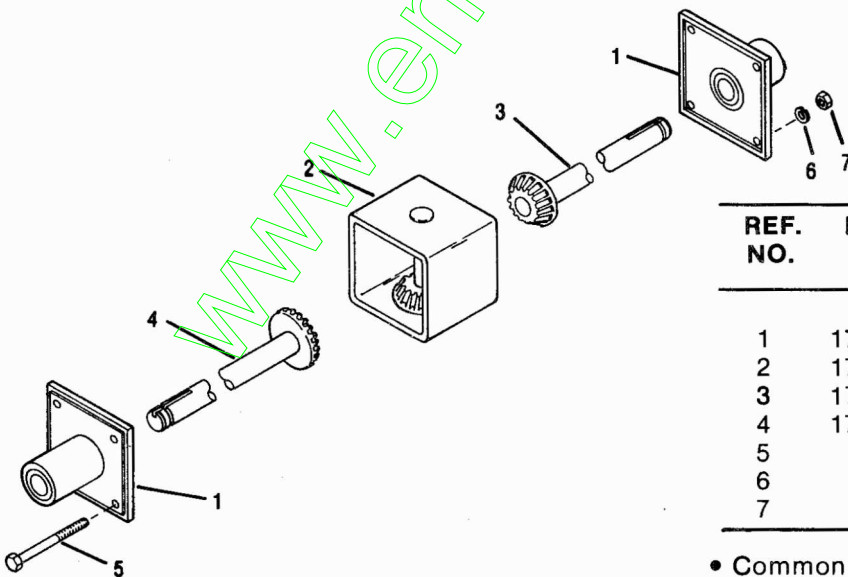
**PEERLESS TRANSMISSION
(MODEL 730 & 730A)**

MODEL 2027, 2028, 2030, 2036, 2128A, 2136 AND 2136A

PURCHASE PARTS FROM YOUR LOCAL TECUMSEH, POWER PRODUCTS OUTLET

REF. NO.	PART NO.	DESCRIPTION	REF. NO.	PART NO.	DESCRIPTION
1	770061	Case, Transmission	25	790007	Plate, Brake Pad
2	772070	Cover, Transmission	26	786026	Pin, Dowel
3	776217	Shaft, Output and Brake.....	27	780105A	Bushing, Flanged
4	778121A	Gear, Spur (20 Teeth)	28	786081	Chain, Roller (No. 41 Chain, 24 Links)
5	778122A	Gear, Spur (22 Teeth)	29	780072	Race, Thrust
6	778123A	Gear, Spur (25 Teeth)	30	780086	Bearing, Needle
7	778124A	Gear, Spur (30 Teeth)	31	792072	Ring, Retaining
8	778125	Gear, Spur (35 Teeth)	32	792035	Ring, Retaining
9	784266	Collar, Shift	33	780109	Washer
10	786083	Sprocket (18 Teeth)	34	788040	Ring, Retaining
11	786082	Sprocket (9 Teeth)	35	784267	Rod & Fork Ass'y Shift
12	776134	Shaft, Counter	36	792073	Screw, Hex Hd. Taptite, 1/4-20 x 1-1/4
13	778109A	Gear, Bevel (Incl. No. 13A & 14) (730)	37	792089A	Key
13A	778137A	Bevel Gear (42 Teeth) (730A)	38	792075	Nut, Lock 5/16-24
14	778136	Spur Gear (15 Teeth) (730A)	39	792076	Washer, Flat, 5/16
14A	778126A	Gear, Spur (20 Teeth)	40	792077	Ball, Steel 5/16
15	778127A	Gear, Spur (25 Teeth)	41	792078	Screw, Set, 3/8-16 x 3/8
16	778128A	Gear, Spur (28 Teeth)	42	792079	Spring
17	778129A	Gear, Spur (30 Teeth)	43	780108	Washer, Thrust
18	776143	Shaft, Input	44	792001	Ring, Square Cut
19	778113A	Bevel Pinion, Input	45	792074	Plug, Threaded
20	786047	Sprocket (8 Teeth)	46	788069	Seal, Sq. Cut (730A)
21	790003	Disk, Brake	47	786086	Bracket, Brake Lever (730A)
22	790013	Lever, Brake	48	788067A	Grease (36oz.)
23	790005	Holder, Brake Pad (730)			
	790025	Holder, Brake Pad (730A)			
24	790006	Pad, Brake			

PURCHASE PARTS FROM YOUR LOCAL BOLENS OUTLET



REF. NO.	PART NO.	DESCRIPTION	NO REQ'D
1	1752040	End Cap Ass'y	2
2	1752041	Transfer Case w/Gears	1
3	1752042	Shaft w/Gear (Short)	1
4	1752043	Shaft w/Gear (Long)	1
5	•	Hex Screw 5/16-18 x 3-1/2	4
6	•	Lock Washer 5/16	4
7	•	Hex Nut 5/16	4

• Common Hardware - Purchase Locally (Grade 5 where applicable)