

Bolens

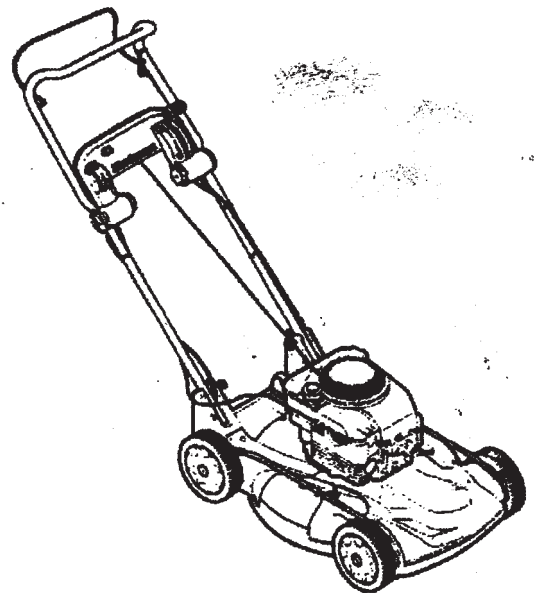
Parts Catalog

Mulching Mower

Models

- 34050
(4HP Push)
- 34051
(4HP Single Speed)
- 34052 124802 - 3433
(5HP Variable
Speed)
- 34053 124807 - 3435
(5HP Electric Start)
- 34054
(5.5HP Blade Brake)

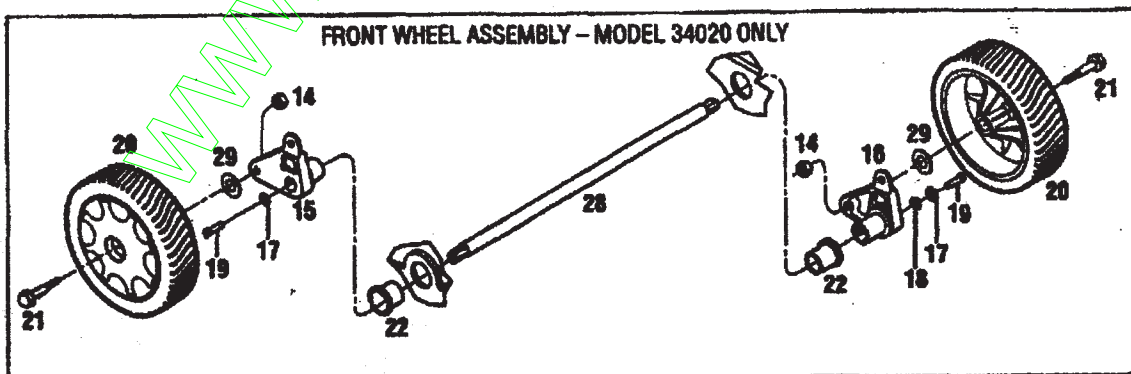
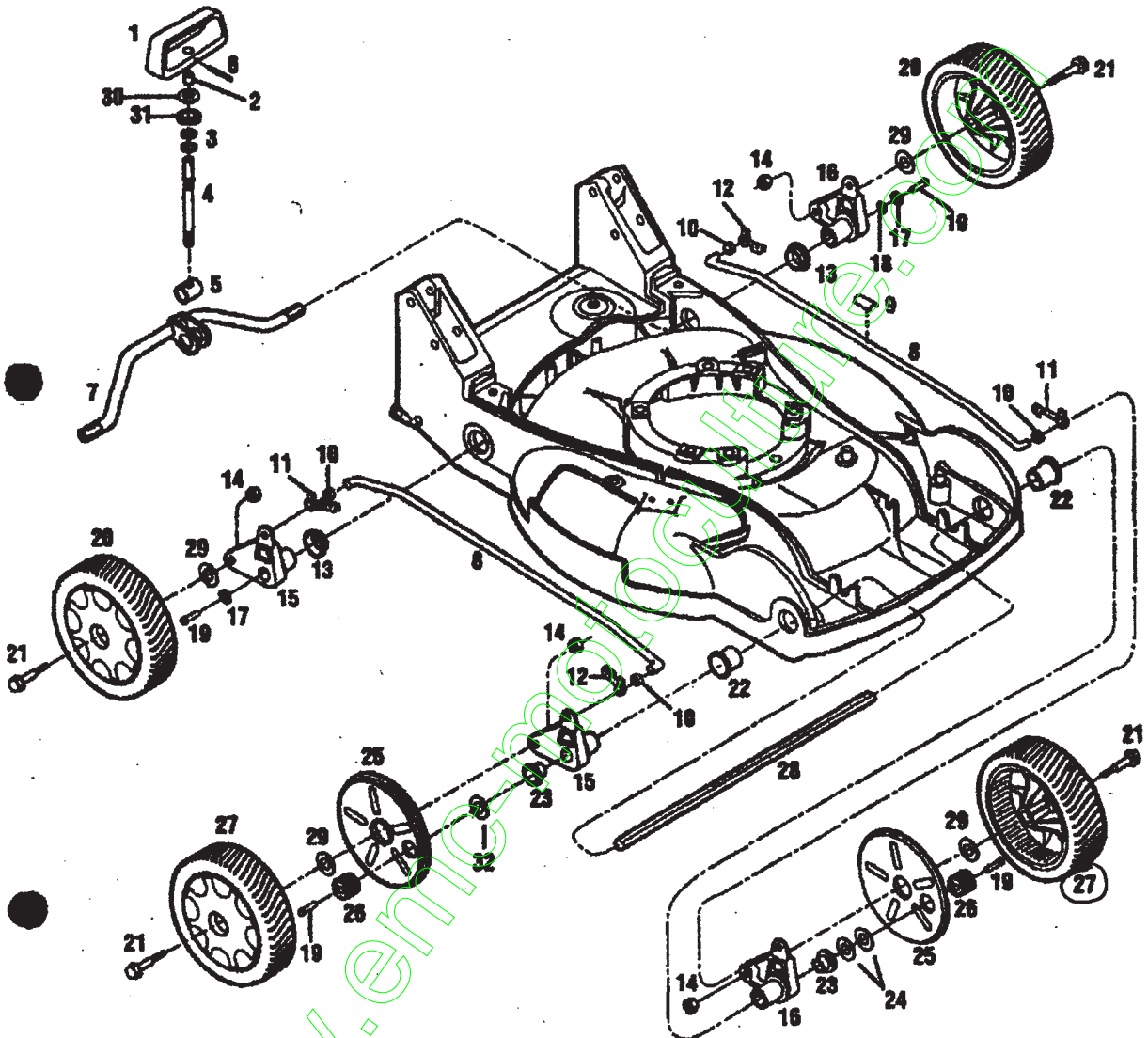
GARDEN WAY INC.



BOLENS MULCHING MOWER

MODELS 34050, 34051, 34052, 34053 & 34054

CUTTING HEIGHT CONTROL AND WHEEL ASSEMBLIES



8

MODELS 34050, 34051, 34052, 34053 & 34054

BOLENS® MULCHING MOWER

CUTTING HEIGHT CONTROL AND WHEEL ASSEMBLIES

REF No.	PART No.	DESCRIPTION	QTY.	REF No.	PART No.	DESCRIPTION	QTY.
1	1754149	Height Adj. Handle	1	20	1767773	Tire/Wheel Assembly	
2	1762886	Spacer, Handle	1			Model 34050	4
3	20546	Washer, Flat, 1/2	2			Models 34051, 34052, 34053 & 34054	2
4	1764815	Screw, Handle Adj.	1	21	1765737	Shoulder Screw, 3/8-16 x 2.31.....	4
5	1765594	Pivot, Screw Adj.	1	22	1764817	Bearing, Axle Arm, Front.....	2
6	1120210	Roll Pin, .188 x 1	1	23	1764816	Bearing, Axle (except Model 34050).....	2
7	1768578	Axle, Rear.....	1	24	1185831	Washer, Shim (except Model 34050).....	2
8	1764818021	Link, Height Adj.	2	25	1765592	Shield, Wheel (except Model 34050).....	2
9	1767792	Decal - Height Adj. Line.....	1	26	1764570	Pinion, Drive (except Model 34050).....	2
10	1765832	Nyliner Bushing.....	4	27	1767772 x 2	Tire/Wheel Assembly - Front (except Model 34050)	2
11	1765551	Clip, Rod (right rear/left front)	2	28	1764383	Axle, Front Drive (Models 34052, 34053 & 34054).....	1
12	1765550	Clip, Rod (left rear/right front)	2		1768579	Axle, Front Drive (Model 34050) ...	1
13	1766500	Bearing, Axle Arm, Rear	2	29	1909311	Washer, Flat, .401 I.D.	4
14	9807	Hex Locknut, 3/8-16	4	30	1185816	Washer, Flat, 1-1/2 x 1 x 1/16	1
15	1764820	Arm, Axle, Right Hand.....	2	31	1708850	Grommet, Rubber	1
16	1764819	Arm, Axle, Left Hand	2	32	1983638	Washer, Thrust (Models 34051, 34052, 34053, 34054).....	1
17	1765591	Washer, Flat, .265 Model 34050	4				
		Models 34051, 34052, 34053 & 34054	2				
18	1767439	Washer, Flat, .281 Model 34050	2				
		Models 34051, 34052, 34053 & 34054	1				
19	9718*	Hex Socket Hd. 1/4-20 x 3/4	4				

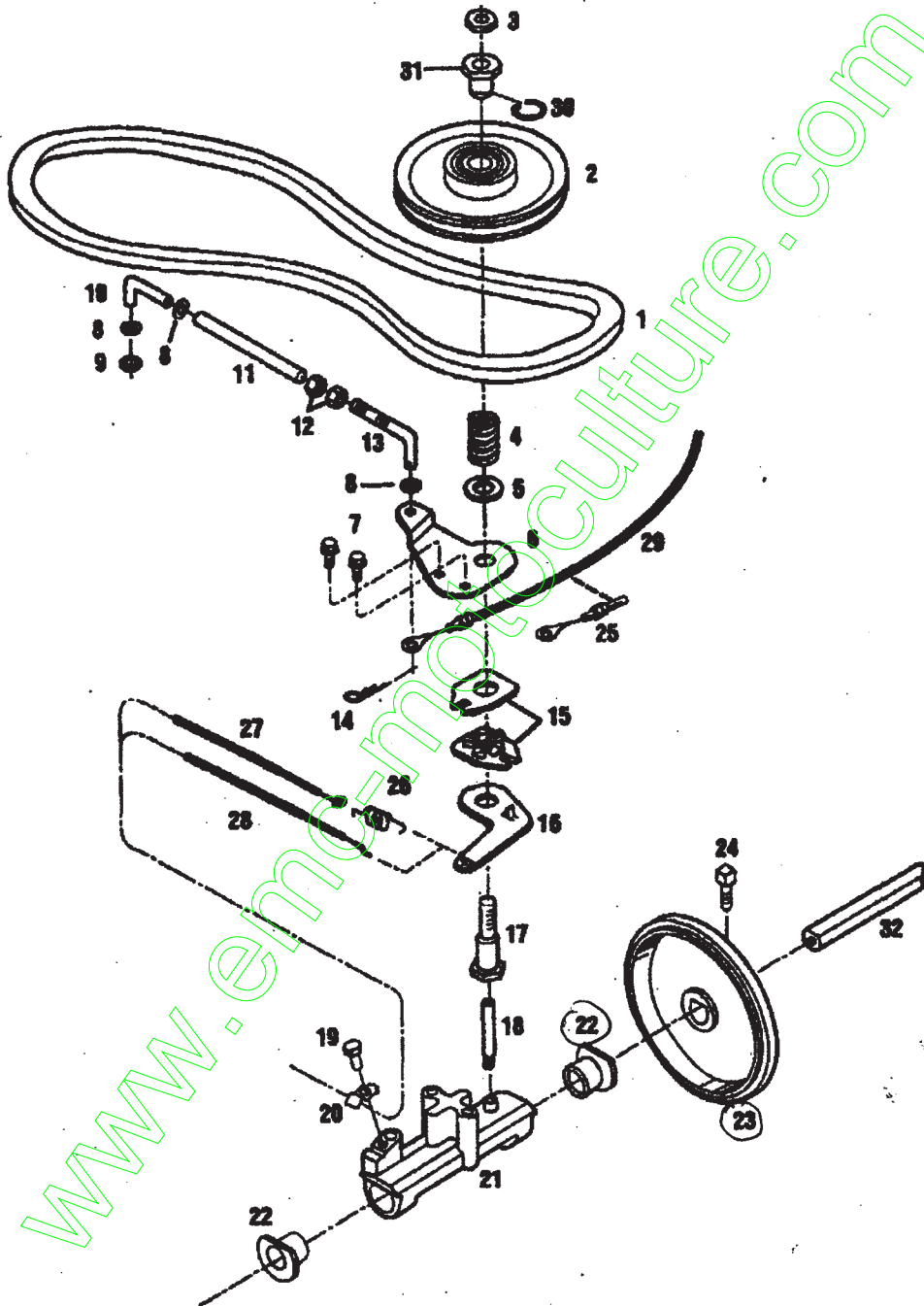
* Apply coating of Lockite® 242

www.emc-motocultiv.com

BOLENS MULCHING MOWER

MODELS 34051, 34052, 34053 & 34054

WHEEL DRIVE ASSEMBLIES - MODELS 34051, 34052, 34053 & 34054



MODELS 34051, 34052, 34053 & 34054

BOLENS[®] MULCHING MOWER**WHEEL DRIVE ASSEMBLIES - MODELS 34051, 34052, 34053 & 34054**

REF No.	PART No.	DESCRIPTION	QTY.	REF No.	PART No.	DESCRIPTION	QTY.
1	1765595	V-Belt, 3L	1	20	1715127	Clamp, Housing	1
2	1766528	Sheave w/Bearing	1	21	1765554	Carrier	1
3	1765749	Hex Locknut, 1/2-20	1	22	1768300	Bearing, Carrier (set of 2)	2
4	1765556	Spring, Compression	1	23	1765572	Disc, Friction Drive	1
5	94003	Washer, Special	1	24	1103440	Sq. Hd. Setscrew, 1/4-20 x .41	1
6	1765557	Plate, Anchor	1	25	1767599	Control, Speed Adj. (Model 34051)	1
7	1754128	Hex Flange Screw, 1/4-20 x 3/4	2	26	1767650	Spring, Extension (Model 34051)	1
8	9900	Washer, Special	3	27	---	Wheel Drive Cable (Model 34051), see Page 3, Ref. 26	1
9	1765879	Retainer, 1/4	1	28	---	Wheel Drive Cable (except Model 34051), see Page 5, Ref. 24	1
10	1765814	Rod, Anchor	1	29	---	Speed Control Cable (except Model 34051). See Page 5, Ref. 28	1
11	1765739	Sleeve	1	30	9518	Ring, Retaining	1
12	9800	Jam Nut, 1/4	2	31	1768959	Nut, Adj.	1
13	1765815	Rod, Adj.	1	32	---	Axle, Drive. See Page 9, Ref. 28 (Models 34052, 34053 & 34054)	1
14	9338	Cotter Pin, .08 dia.	1				
15	1764758	Plate, Ramp	2				
16	1766529	Arm, Ramp	1				
17	1765598	Sleeve, Adj.	1				
18	1765597	Shoulder Stud	1				
19	1767754	Sems Screw, Thd. Forming, #10-24	1				

www.emc-motoculture.com

All Models except 34050

All models except 34050 have been equipped with the new style wheel drive assembly that is shown in Figure 5 and listed below.

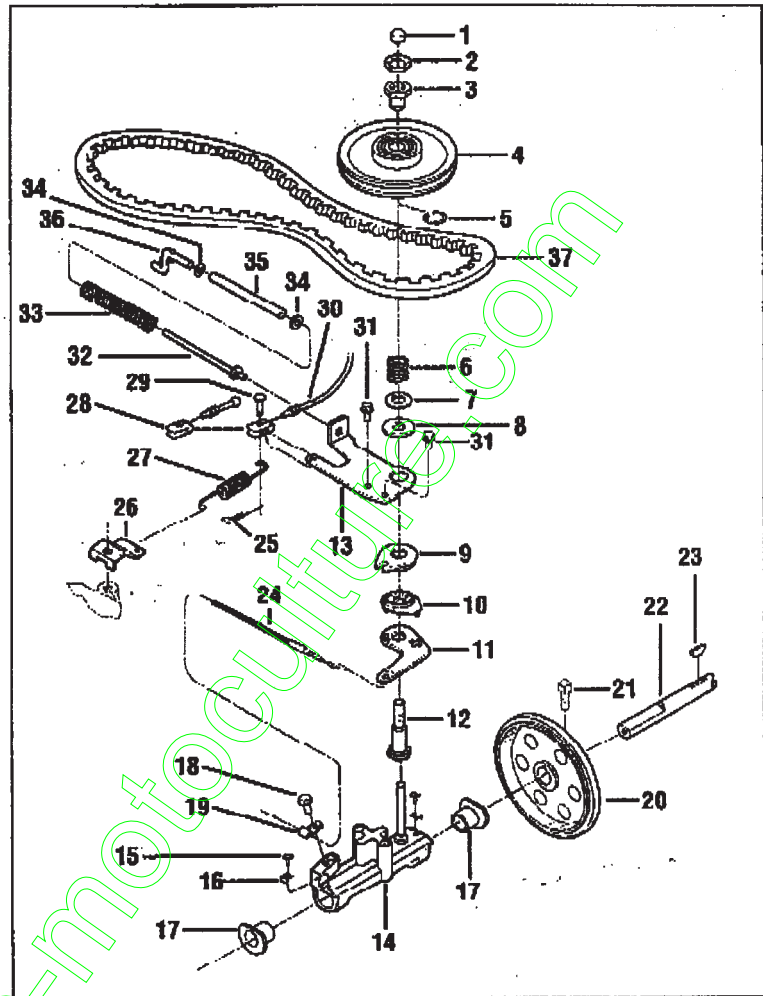


Figure 5

REF No.	PART No.	DESCRIPTION	QTY.	REF No.	PART No.	DESCRIPTION	QTY.
1	1904182	Cap, Plug	1	22	1909402	Axle, Front Drive	1
2	1785749	Hex Locknut, 1/2-20	1	23	1908671	Key, Woodruff	1
3	1909875	Nut, Bearing	1	24	1909996	Cable, Drive Control Clutch	1
4	1903414	Sheave with Bearing	1	25	9338	Pin, Cotter, 0.08 dia.	1
5	1909985	Ring, Retaining (snap)	1	26	1909900020	Bracket, Spring Mounting	1
6	1909998	Spring, Compression	1	27	1909848	Spring, Speed Control	1
7	94003	Washer, Special	1	28	1909999	Adjuster, Speed Control (Model 34051 only)	1
8	1909984	Washer, Sealing	1	29	1915000	Pin	1
9	1903745	Plate, Upper Ramp	1	30	1909980	Drive Control Arm with Speed Control Cable Assembly (all models except 34050 & 34051)	1
10	1903746	Plate, Lower Ramp	1	31	1754128	Screw, Hex Flange, 1/4-20 x 3/4 ...	2
11	1909977	Arm, Control	1	32	1909973	Rod, Belt	1
12	1909868	Sleeve, Adjustment	1	33	97137	Spring	1
13	1909870	Plate, Anchor	1	34	9900	Washer, 1/4	2
14	1904119	Carrier with Stud	1	35	1909945	Sleeve, Belt	1
15	1909983	Screw, Retaining	2	36	1903671	Anchor, Rod	1
16	1909889	Clip, Bearing Retainer	2	37	1909946	Belt, Cogged (some models have a v-belt — use cogged belt for replacement)	1
17	1903744	Bearing, Carrier	2				
18	1767754	Sems Screw, #10-24, Thd Forming	1				
19	1715127	Clamp, Cable Housing	1				
20	1909975	Disc, Friction Drive	1				
21	1103440	Sq. Hd. Setscrew, 1/4-20 x .41	1				