



Bolens

PIECES DETACHEES

Tondeuse à conducteur Marchant

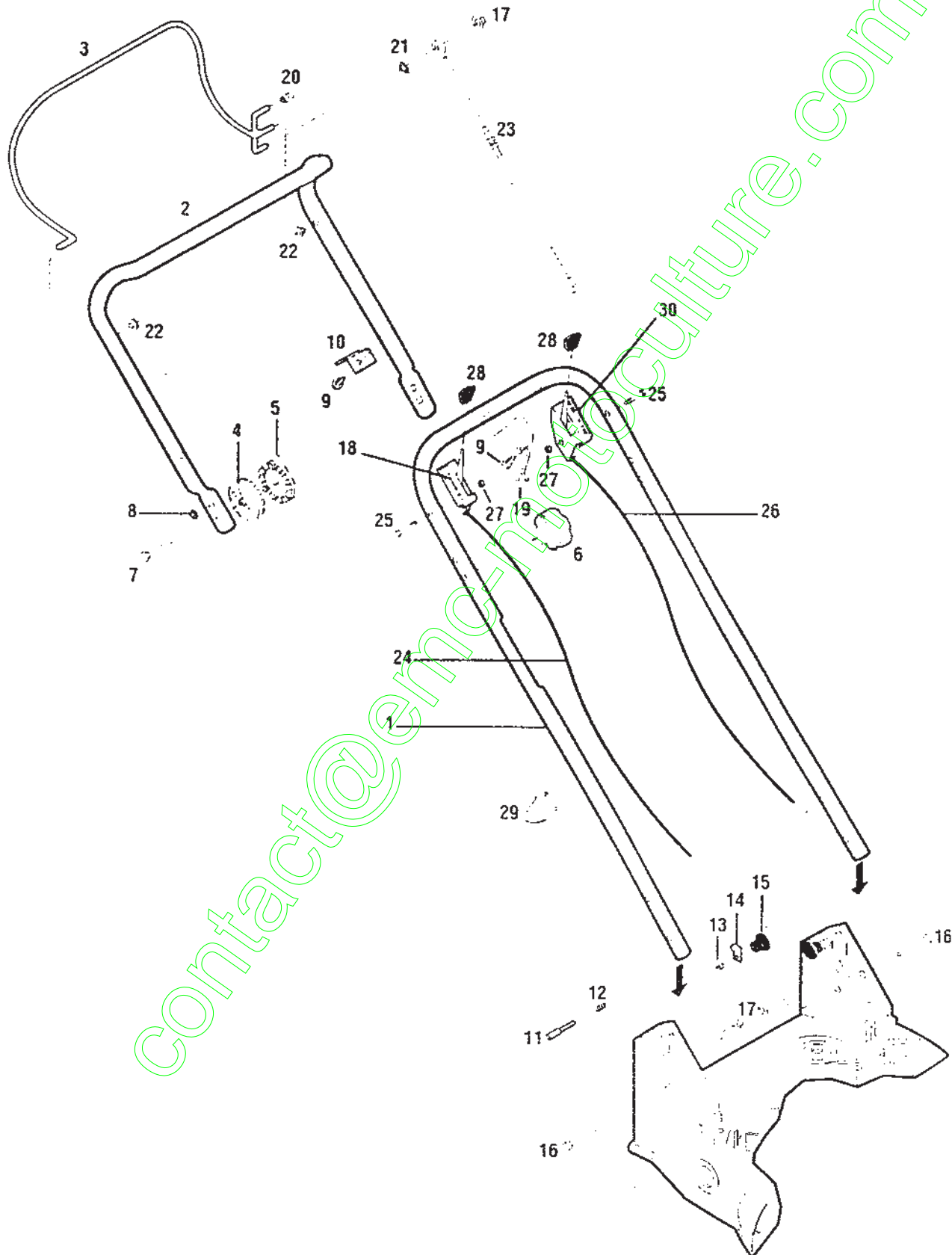
34051
34052
34053
34054



Yvan Béal - 21, Av. de l'Agriculture - B.P. 16
Z.I. du Brézet 63014 Clermont-Ferrand Cedex 2
Tel : 04 73 91 93 51 - Télécopie : 04 73 90 23 11
www.yvanbeal.fr - Email : info@yvanbeal.fr
R.C.B 304 973 886 - SIREN 304 973 886

03-000245-050310

HANDLEBAR AND MOWER CONTROLS - MODELS 34050 & 34051

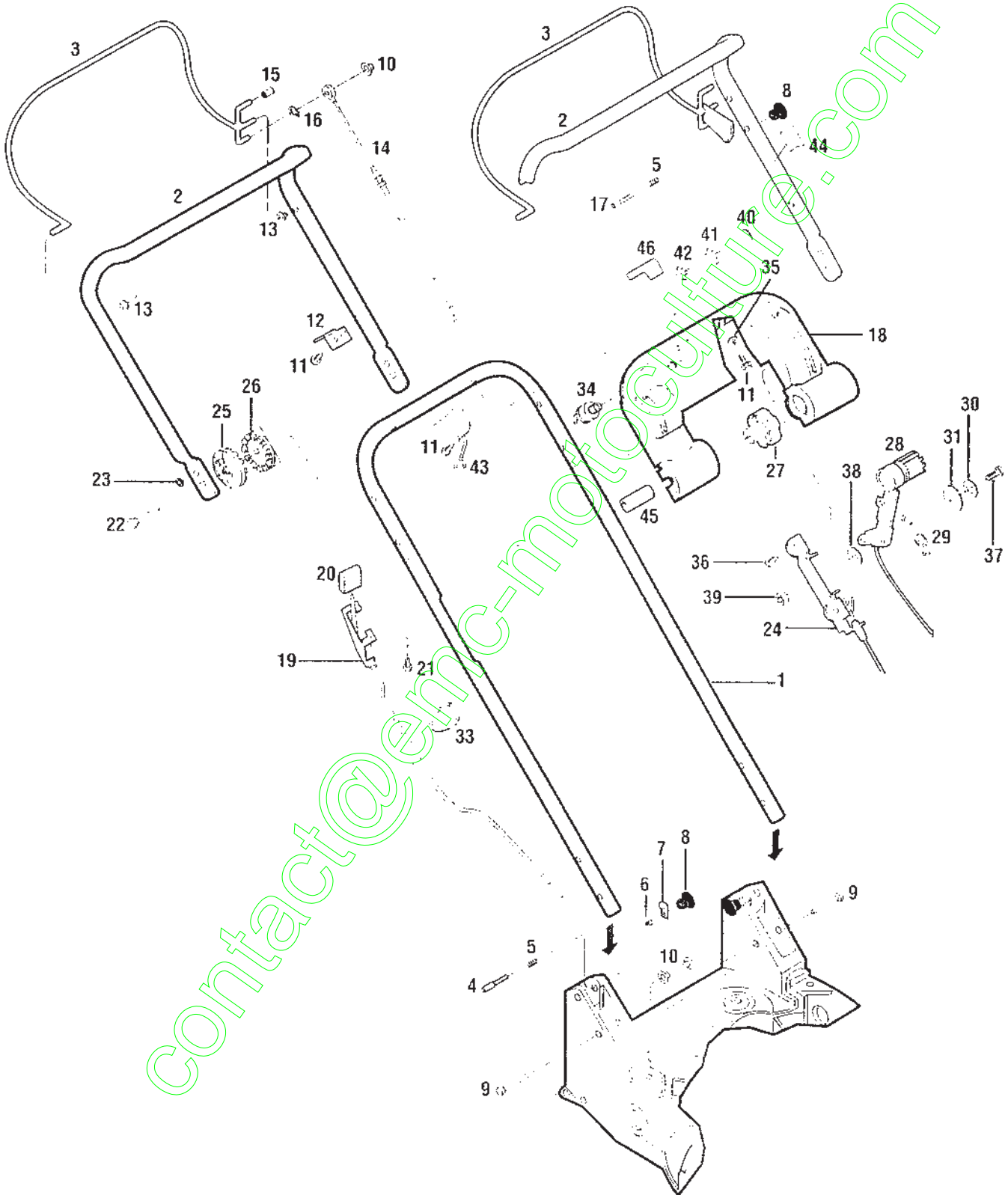


HANDLEBAR AND MOWER CONTROLS - MODEL 34051

REF No.	PART No.	DESCRIPTION	QTY.	REF No.	PART No.	DESCRIPTION	QTY.
1	1765830001	Lower Handlebar	1	21	1908673	Ring, Grip, .312 dia	1
2	1767435001	Upper Handlebar	1	22	1908677	Nyliner Bushing	2
3	1902096	Bail Assembly, OPC Control.....	1	23	1765935	Engine Brake (OPC) Cable	1
4	1767425	Handle Adj. Quadrant - Outside	2	24	1767639	Throttle Lever Control w/Cable	1
5	1767375	Handle Adj. Quadrant - Inside.....	2	25	1111601	Hex Cap Screw, 1/4-20 x 1-3/4	
6	1767400	Handle Adj. Knob.....	2			Model 34050	1
7	1767448	Carriage Screw, 5/16-18 x 2	2			Model 34051	2
8	1765879	Retainer, 1/4	2	26	1767614	Wheel Drive Lever Control	
9	1754128	Hex Flange Screw, 1/4-20 x 3/4	2			w/Cable (Model 34051).....	1
10	1749977	Cable Bracket.....	1	27	1734398	Toplock Nut, 1/4-20	
11	1766534	Pin, Stop.....	2			Model 34050	1
12	1766531	Spring, Compression.....	2			Model 34051	2
13	9800	Hex Nut, 1/4-20	2	28	1766121	Knob	
14	1766532	Arm, Stop.....	2			Model 34050	1
15	1766537	Knob.....	2			Model 34051	2
16	1766536	Clevis Pin.....	2	29	1763682	Cable Tie (reusable)	
17	1908679	Cap, Push-on, .312 dia.	3			Model 34050	2
18	1768319	Decal - Throttle Control	1			Model 34051	4
19	1768535	Rope Guide.....	1	30	1768320	Decal - Wheel Drive (Model 34051)	1
20	1908678	Handle Grip.....	1				

contact@emc-motocultivator.com

HANDLEBAR AND MOWER CONTROLS – MODELS 34052, 34053

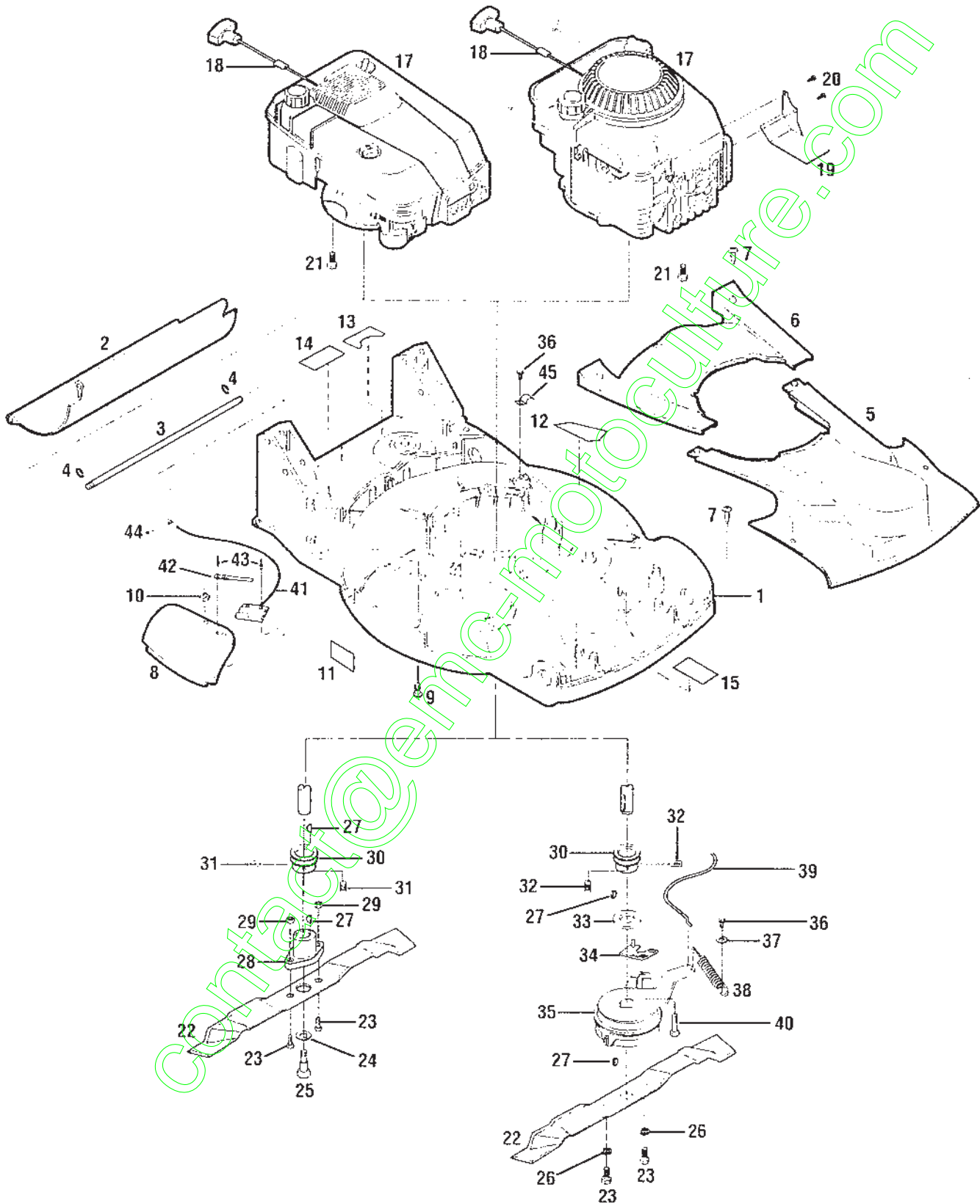


HANDLEBAR AND MOWER CONTROLS – MODELS 34052, 34053 & 34054

REF No.	PART No.	DESCRIPTION	QTY.	REF No.	PART No.	DESCRIPTION	QTY.
1	1765830001	Lower Handlebar.....	1	1768549	Handlebar Console (Model 34054)	1	
2	1767435001	Upper Handlebar (Models 34052 & 34053).....	1	19	1765917	Throttle Lever Control w/Cable	1
	1768302	Upper Handlebar w/Ref. 5, 8, 17 44 (Model 34054).....	1	20	1766121	Knob	1
3	1902096	Bail Assembly, OPC Engine Brake Control (Models 34052 & 34053)	1	21	1766502	Screw, Special, #10-16 x 7/8	2
	1902097	Bail Assembly, OPC Blade Brake Control (Model 34054)	1	22	1767449	Carriage Screw, 5/16-18 x 4-1/4 ...	2
4	1766536	Clevis Pin	2	23	1765879	Retainer, 1/4	2
5	1766531	Spring, Compression Models 34052 & 34053	2	24	1766511	Drive Control Assembly w/Cable ..	1
		Model 34054	3	25	1767425	Handle Adj. Quadrant - Outside	2
6	9800	Hex Nut, 1/4-20	2	26	1767375	Handle Adj. Quadrant - Inside	2
7	1766532	Arm, Stop	2	27	1767400	Handle Adj. Knob	2
8	1766537	Knob Models 34052 & 34053	2	28	1766510	Control Arm Assembly w/Cable	1
		Model 34054	3	29	1767651	Spring, Extension	1
9	1766536	Clevis Pin	2	30	1767648	Washer, Belleville	1
10	1908679	Cap, Push-on, .312 dia.	3	31	1716233	Washer, Flat, 1/4	1
11	1754128	Hex Flange Screw, 1/4-20 x 3/4 ...	6	32		This Ref. No. Not Used.....	
12	1749977	Cable Bracket	1	33	1763682	Cable Tie (reusable)	4
13	1908677	Nyliner Bushing.....	2	34	11405	Ignition Switch w/Ref. 40, 41 & 42 (Model 34053).....	1
14	1765935	Cable, OPC Engine Brake (Models 34052 & 34053)	1	35	1765591	Washer, Flat, .265 I.D.	4
	1765930	Cable, OPC Blade Brake Control (Model 34054)	1	36	1766507	Screw, 1/4-15 x 7/8.....	2
15	1908678	Handle Grip	1	37	1765593	Screw, Button-hd., 1/4-20 x 3/4 ...	1
16	1908673	Ring, Grip, .312 dia.	1	38	1767649	Nylon Bushing	1
17	1767438	Pin, Lock (Model 34054)	1	39	1734398	Toplock Nut, 1/4-20	1
18	1767390	Handlebar Console (Models 34052 & 34053)	1	40	96520	Key, Ignition (Model 34053).....	2
				41	92018	Hex Nut, 5/8-32 (Model 34053)	1
				42	94021	Lockwasher, 5/8 (Model 34053) ...	1
				43	1768535	Rope Guide	1
				44	1766543	Decal - Release Bail (Model 34054)	1
				45	1766587	Spacer.....	2
				46	1765894	Decal - Electric Start (Model 34053)	1

contact@engprophoto.com

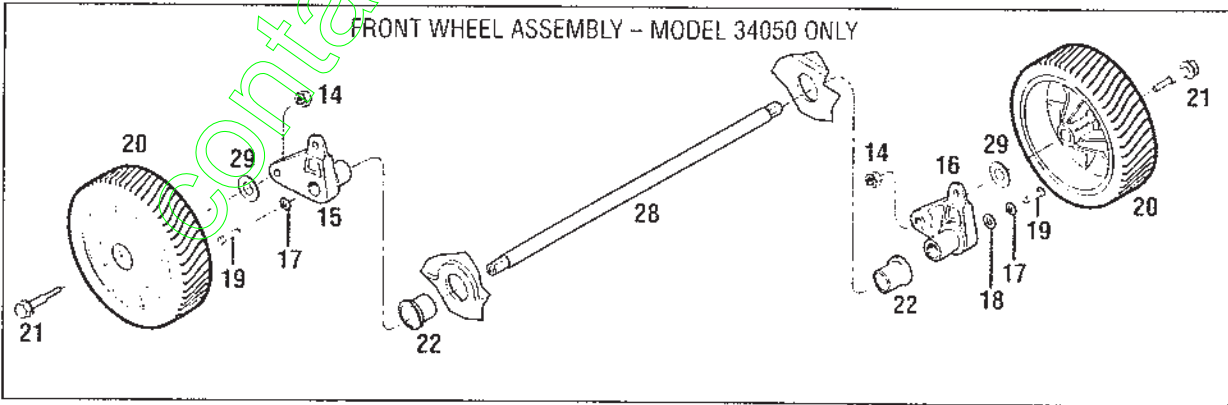
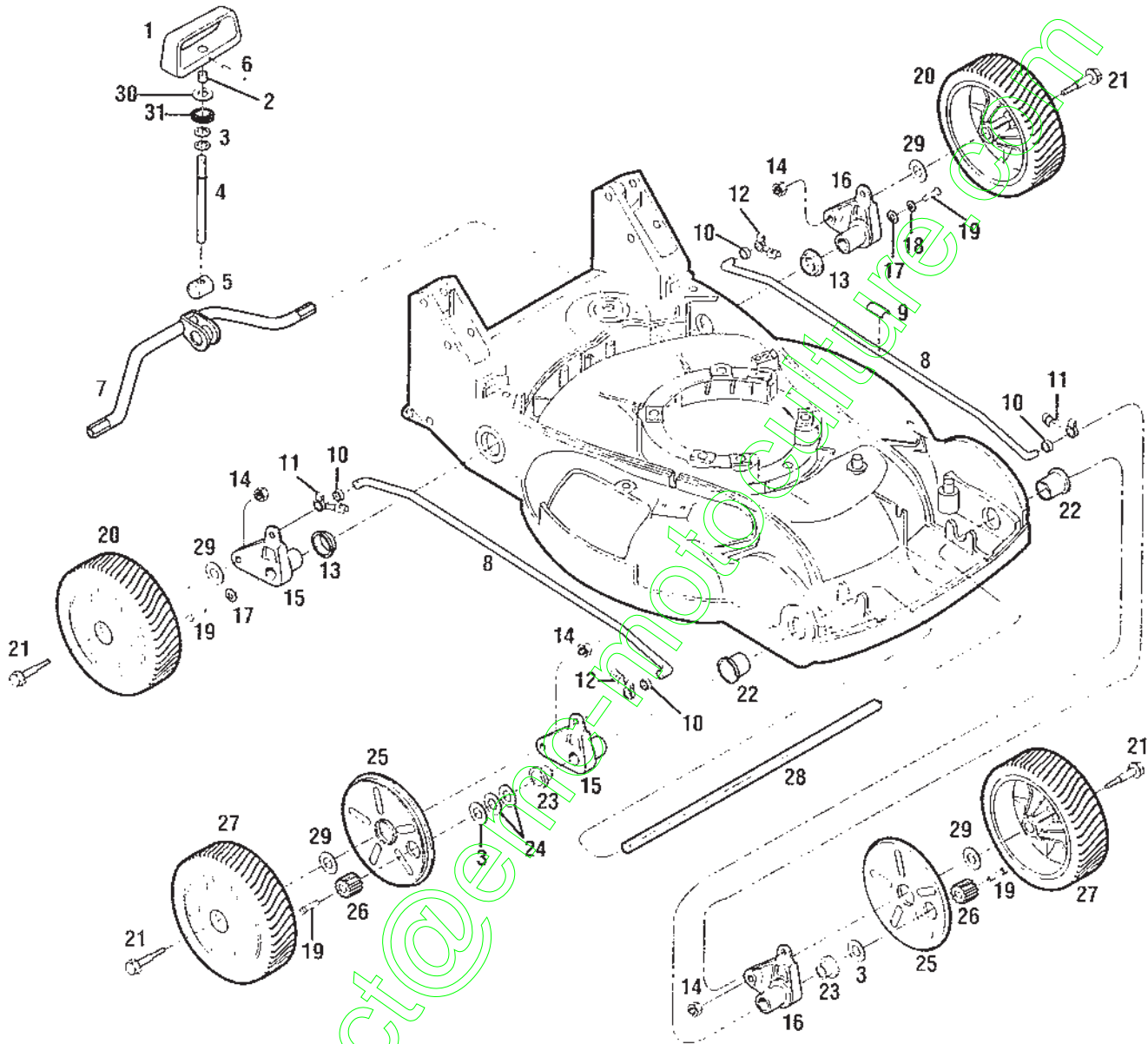
ENGINES, MOWER DECK AND BLADE ASSEMBLIES



ENGINES, MOWER DECK AND BLADE ASSEMBLIES

REF No.	PART No.	DESCRIPTION	QTY.	REF No.	PART No.	DESCRIPTION	QTY.
1	1902048	Mower Deck w/Ref. 2, 3, 4, 9, 11, 12, 14, 15, 41 & 43	1	1767588	Hex Capscrew, Grade 5, M10 x 30MM (Model 34054).....		2
2	1765552	Flap, Safety	1	24	9914	Lockwasher, 1/2 (except Model 34054)	1
3	1765553	Rod, Safety Flap	1	25	1746688	Shoulder Screw, 3/8-24 x 1.63 (except Model 34054)	1
4	1185304	Ring, Retaining	2	26	1767589	Lockwasher, M10 (Model 34054) ..	2
5	1767770	Cover, Front Deck	1	27	1185885	Woodruff Key, .188 x .625 Model 34050	1
6	1767771	Cover, Rear Deck	1			Models 34051, 34052 & 34053 ..	2
7	1766503	Screw, Thd. Forming, #12-24 x .63	5	97041	Woodruff Key, .156 x .625 (Model 34054).....		2
8	1902113	Door, Discharge w/Ref. 42 & 43....	1	28	1766541	Blade Coupling (except Model 34054).....	1
9	1766512	Screw, Special, #31-24 x 3/4	1	29	1733398	Hex Locknut, 3/8-16 (except Model 34054).....	2
10	1766514	Toplock Nut, 5/16-24	1	30	1766546	Sheave, Engine (except Models 34050 & 34054)	1
11	1768434	Decal - Guard Warning.....	1		1766547	Sheave, Engine (Model 34054)	1
12	1739687	Decal - OPEI Blade Caution	1	31	1738845	Sq. Hd. Setscrew, 1/4-20 x 1/2 (except Models 34050 & 34054) ..	2
13	1767779	Decal - Cutting Height	1	32	1187876	Socket Hd. Setscrew, 1/4-20 x 1/4 (Model 34054).....	2
14	1768436	Decal - Thrown Objects Danger	1	33	9904	Washer, .406 I.D. (Model 34054)..	1
15	1768435	Decal - Pinch Point Warning (Models 34051, 34052, 34053 & 34054).....	1	34	1767608	Locating Bracket (Model 34054)...	1
16		This Ref. No. Not Used.....		35	1765871	Clutch, Blade Brake (Model 34054)	1
17	*	Engine, 4HP Briggs & Stratton, Recoil Start (Models 34050 & 34051).....	1	36	1767754	Sems Screw, Thd. Forming, #10-24 x 1/2 (Model 34054)	2
	*	Engine, 5HP Briggs & Stratton, Recoil Start (Model 34052)	1	37	1767658	Washer, Flat, #12 (Model 34054)..	1
	*	Engine, 5HP Briggs & Stratton, Electric Start (Model 34053)	1	38	1765886	Spring, Extension (Model 34054) ..	1
	*	Engine, 5.5HP Briggs & Stratton, Europa, Recoil Start, OHV (Model 34054).....	1	39	----	Cable, Blade Brake Control - see Ref. 14, Page 5 (Model 34054)..	
18	1746425	Rope Stop	1	40	1768538	Shoulder Screw, 5/16-18 x 2 (Model 34054).....	1
19	1766513001	Heat Shield (except Model 34054)	1	41	1768443	Switch, Interlock	1
20	90002	Hex Flange Screw, Thd. Forming, #8-18 x .405	2	42	1764197	Tab. Switch	1
21	1767610	Screw, Thd. Forming, 3/8-16 x 1-1/4	3	43	1186424	Rivet, Pop	4
22	1768306	Blade Kit w/ Ref. 23 & 29 (Models 34050, 34051, 34052 & 34053)	1	44	9782	Screw, #10-32 x .37 (Models 34050, 34051, 34052 & 34053).....	1
	1768307	Blade Kit w/ Ref. 23 & 26 (Model 34054).....	1		1767754	Sems Screw, Thd. Forming, #10-24 x 1/2 (Model 34054)	1
23	1100046	Hex Capscrew, Grade 5, 3/8-16 x 1 (except Model 34054).....	2	45	1715127	Clamp, Housing (Model 34054)	1

CUTTING HEIGHT CONTROL AND WHEEL ASSEMBLIES

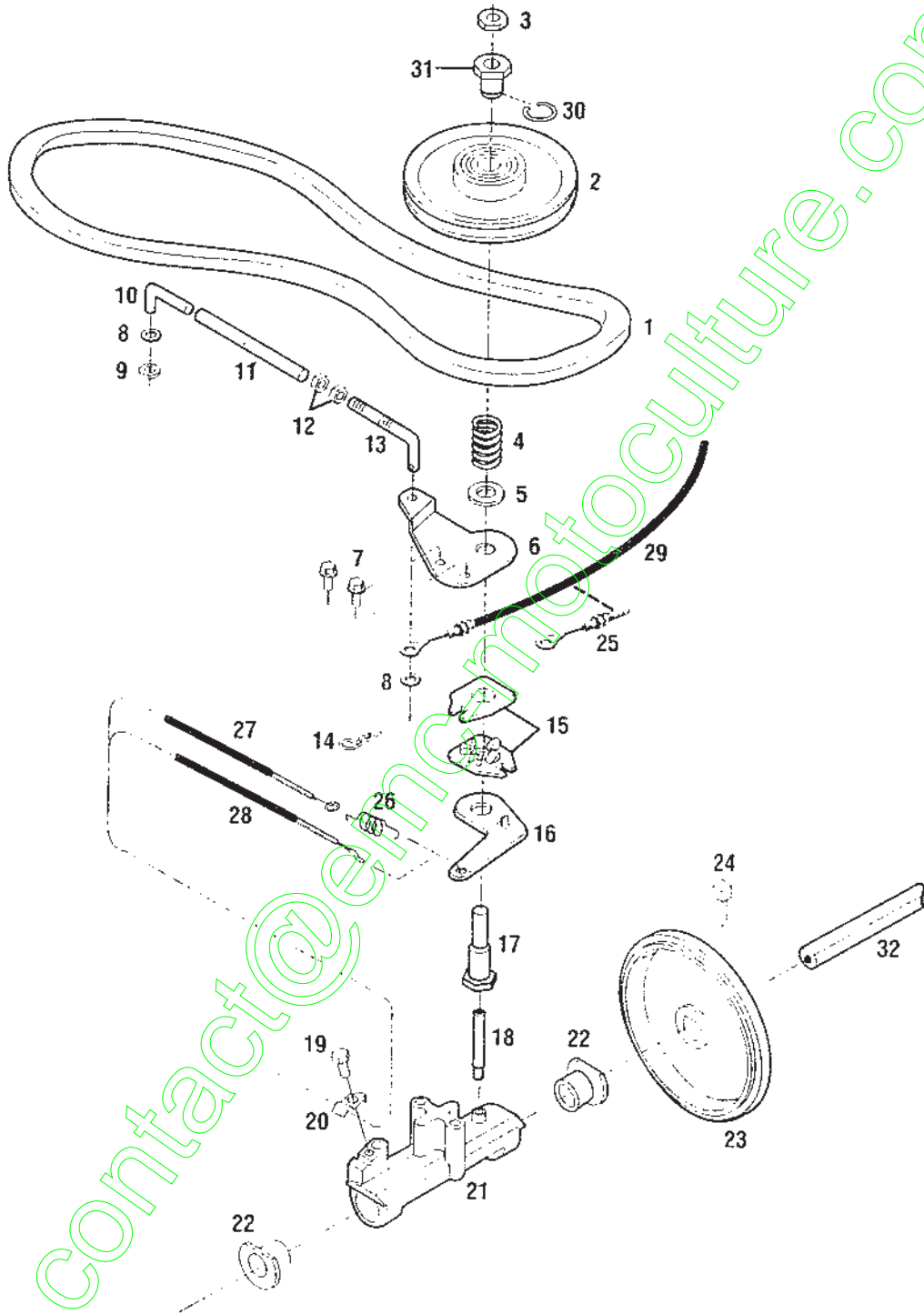


CUTTING HEIGHT CONTROL AND WHEEL ASSEMBLIES

REF No.	PART No.	DESCRIPTION	QTY.	REF No.	PART No.	DESCRIPTION	QTY.
1	1754149	Height Adj. Handle	1	19	1765593	Button Hd. Screw, 1/4-20 x 3/4	4
2	1762886	Spacer, Handle	1	20	1767773	Tire/Wheel Assembly	4
3	20546	Washer, Flat, 1/2 Model 34050	2			Model 34050	4
		Models 34051, 34052, 34053 & 34054	4			Models 34051, 34052, 34053 & 34054	2
4	1764815	Screw, Handle Adj.	1	21	1765737	Shoulder Screw, 3/8-16 x 2.31	4
5	1765594	Pivot, Screw Adj.	1	22	1764817	Bearing, Axle Arm, Front	2
6	1120210	Roll Pin, .188 x 1	1	23	1764816	Bearing, Axle (except Model 34050)	2
7	1768578	Axle, Rear	1	24	1185831	Washer, Shim (except Model 34050)	2
8	1764818021	Link, Height Adj.	2	25	1765592	Shield, Wheel (except Model 34050)	2
9	1767792	Decal - Height Adj. Line	1	26	1764570	Pinion, Drive (except Model 34050)	2
10	1765832	Nyliiner Bushing	4	27	1767772	Tire/Wheel Assembly - Front (except Model 34050)	2
11	1765551	Clip, Rod (right rear/left front)	2	28	1764383	Axle, Front Drive (Models 34052, 34053 & 34054)	1
12	1765550	Clip, Rod (left rear/right front)	2		1768579	Axle, Front Drive (Model 34050) ...	1
13	1766500	Bearing, Axle Arm, Rear	2	29	9904	Washer, Flat, 401 I.D.	4
14	9807	Hex Locknut, 3/8-16	4	30	1185816	Washer, Flat, 1-1/2 x 1 x 1/16	1
15	1764820	Arm, Axle, Right Hand	2	31	1708850	Grommet, Rubber	1
16	1764819	Arm, Axle, Left Hand	2				
17	1765591	Washer, Flat, .265 Model 34050	4				
		Models 34051, 34052, 34053 & 34054	2				
18	1767439	Washer, Flat, .281 Model 34050	2				
		Models 34051, 34052, 34053 & 34054	1				

contact@emc-motocultivator.com

WHEEL DRIVE ASSEMBLIES - MODELS 34051, 34052, 34053 & 34054

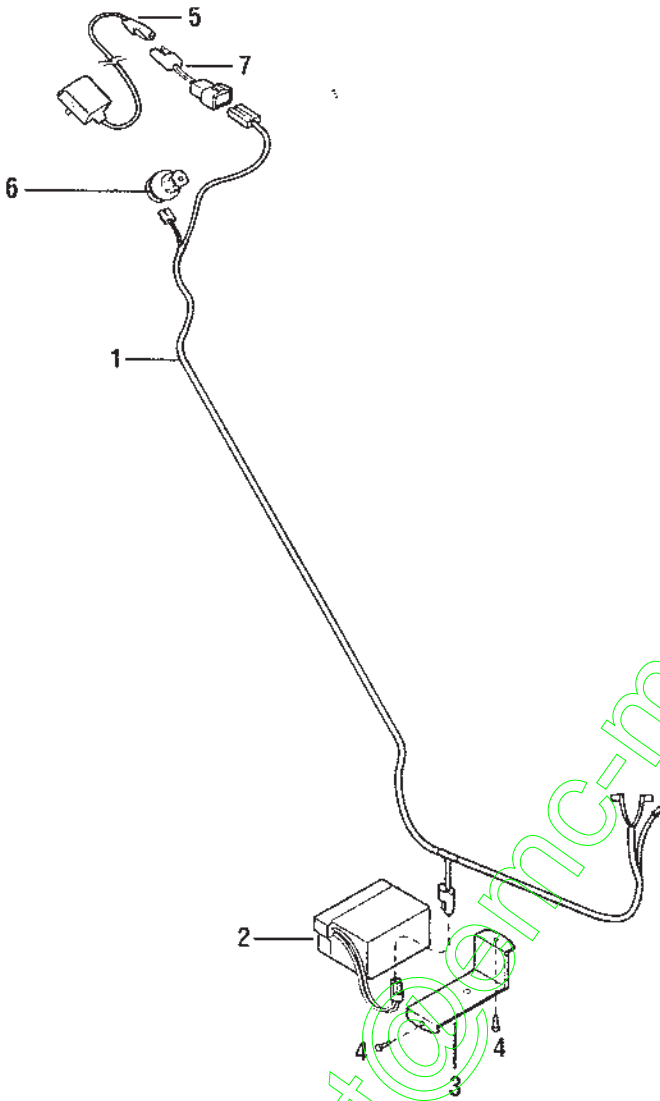


WHEEL DRIVE ASSEMBLIES - MODELS 34051, 34052, 34053 & 34054

REF No.	PART No.	DESCRIPTION	QTY.	REF No.	PART No.	DESCRIPTION	QTY.
1	1765595	V-Belt, 3L.....	1	20	1715127	Clamp, Housing.....	1
2	1766528	Sheave w/Bearing.....	1	21	1765554	Carrier.....	1
3	1765749	Hex Locknut, 1/2-20.....	1	22	1768300	Bearing, Carrier (set of 2).....	2
4	1765556	Spring, Compression.....	1	23	1765572	Disc, Friction Drive.....	1
5	94003	Washer, Special.....	1	24	1103440	Sq. Hd. Setscrew, 1/4-20 x .41.....	1
6	1765557	Plate, Anchor.....	1	25	1767599	Control, Speed Adj. (Model 34051).....	1
7	1754128	Hex Flange Screw, 1/4-20 x 3/4.....	2	26	1767650	Spring, Extension (Model 34051).....	1
8	9900	Washer, Special.....	2	27	----	Wheel Drive Cable (Model 34051), see Page 3, Ref. 26.....	1
9	1765879	Retainer, 1/4.....	1	28	----	Wheel Drive Cable (except Model 34051), see Page 5, Ref. 24.....	1
10	1765814	Rod, Anchor.....	1	29	----	Speed Control Cable (except Model 34051). See Page 5, Ref. 28.....	1
11	1765739	Sleeve.....	1	30	9518	Ring, Retaining.....	1
12	9800	Jam Nut, 1/4.....	2	31	1765596	Nut, Adj.....	1
13	1765815	Rod, Adj.....	1	32	----	Axle, Drive. See Page 9, Ref. 28 (Models 34052, 34053 & 34054).....	1
14	9338	Cotter Pin, .08 dia.....	1				
15	1764758	Plate, Ramp.....	2				
16	1766529	Arm, Ramp.....	1				
17	1765598	Sleeve, Adj.....	1				
18	1765597	Shoulder Stud.....	1				
19	1767754	Sems Screw, Thd. Forming, #10-24.....	1				

contact@emc-motocultiv.com

ELECTRIC START SYSTEM - MODEL 34053



REF No.	PART No.	DESCRIPTION	QTY.
1	1765888	Harness, Wire.....	1
2	1756550	Battery.....	1
3	1765887001	Bracket, Battery.....	1
4	9552	Hex Flange Screw, Thd. Forming 1/4-20 x .50.....	2
5	1733252	Charger, Battery.....	1

REF No.	PART No.	DESCRIPTION	QTY.
6	----	See Page 5, Ref. 34, 40, 41, 42 & 48 for ignition switch, switch mounting hardware, decal and ignition keys.....	
7	1768559	Adaptor Lead, Charger.....	1



**Yvan Béal - 21, av. de l'Agriculture - B.P. 16
Z.I. du Brézet - 63014 Clermont-Ferrand Cedex 2
Tél : 04 73 91 93 51 - Télécopie : 04 73 90 23 11
www.yvanbeal.fr - E-mail : info@yvanbeal.fr
R.C.S. Clermont-Fd B 304 973 886 - S.A.S. au capital de 612 000 €**