



Bolens

PIECES DETACHEES

Tondeuses à conducteur Marchant

34324
34325
34326
34327



Yvan Béal - 21, Av. de l'Agriculture - B.P. 16
Z.I. du Brézet 63014 Clermont-Ferrand Cedex 2
Tel : 04 73 91 93 51 - Télécopie : 04 73 90 23 11
www.yvanbeal.fr - Email : contact@yvanbeal.fr
N.C.B 304 973 886 - SIREN 304 973 886

03-000248-050310

contact@enc-motoculture.com

PARTS ORDERING INFORMATION

Parts for your machine may be ordered from your local servicing dealer. Please remember that your dealer will need to know the identification numbers of your machine to give you the most efficient service. Please see below for how to identify and record the identification numbers for your machine.

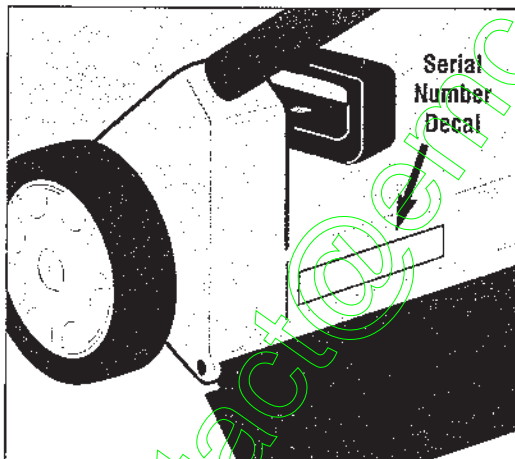
When ordering parts, please be sure to provide the following information:

1. The SERIAL NUMBER of your machine.
2. The PART NUMBER of the part.
3. The PART DESCRIPTION.
4. The QUANTITY needed.

IDENTIFICATION NUMBERS

Please write the Serial Number of your machine in the space provided below. You can find the location of the serial number decal by referring to the following illustration.

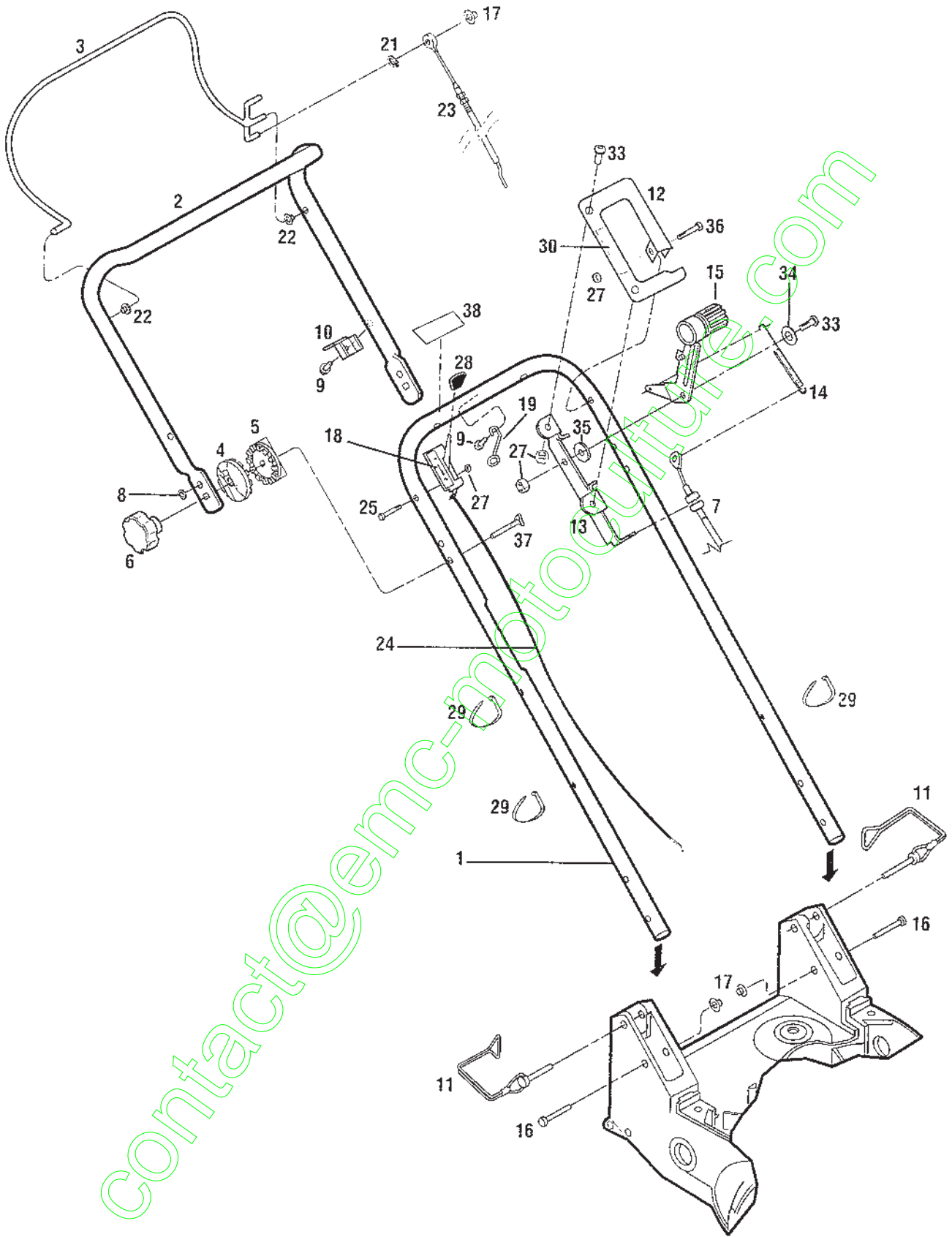
Serial Number: _____



All references to left, right, front and rear of the machine are determined by standing in the operator's position and facing the direction of forward travel.

IMPORTANT:

Some replacement parts that you receive may vary slightly in shape, color, or texture from the original parts. This is because certain parts are supplied to us by more than one manufacturer. Please be assured, however, that all parts must conform to our rigid quality specifications, and any slight variations will not affect the fit or performance of these parts.



HANDLEBAR AND MOWER CONTROLS - MODELS 34324 & 34327

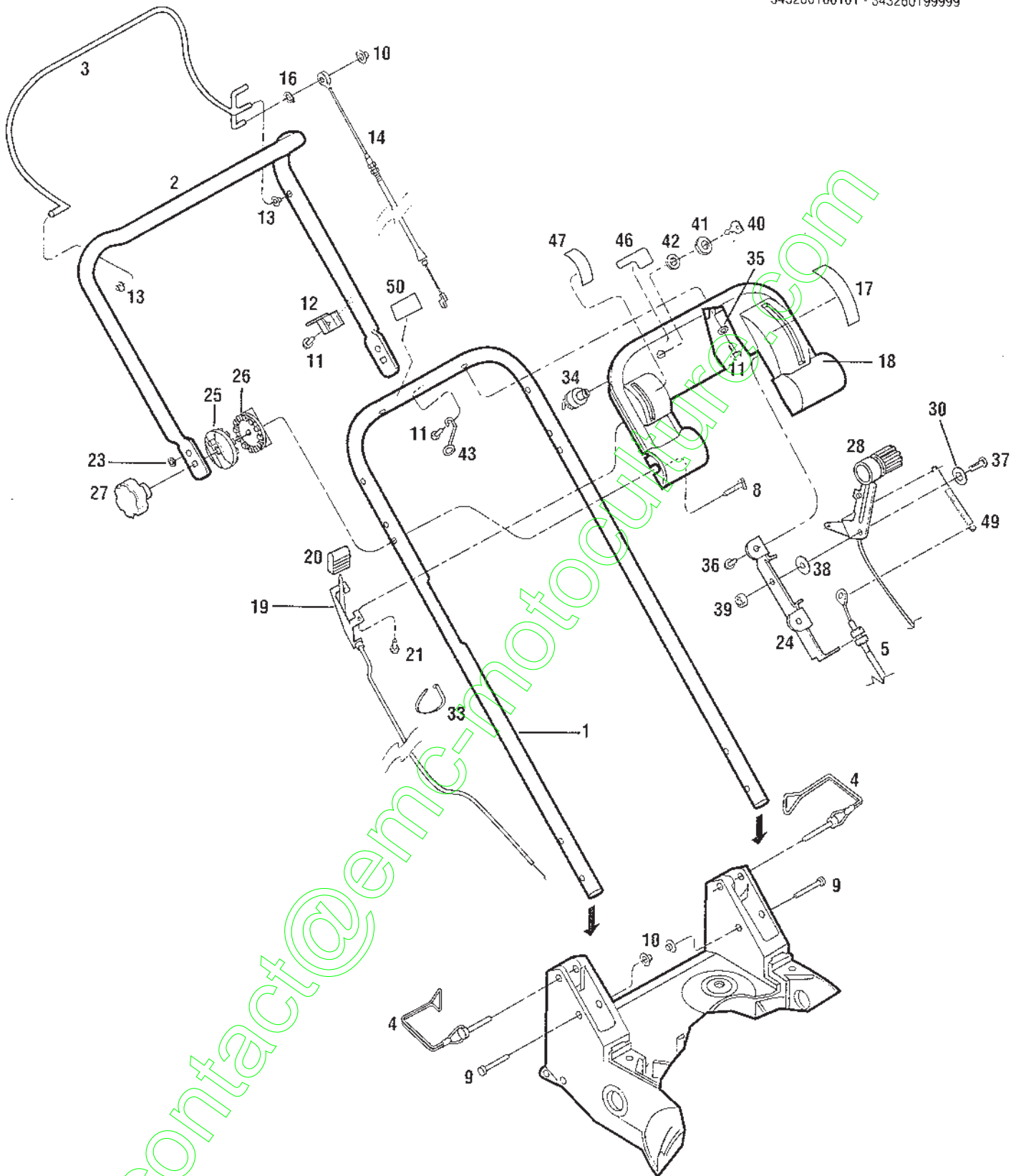
REF No.	PART No.	DESCRIPTION	QTY.	REF No.	PART No.	DESCRIPTION	QTY.
1	1903621	Lower Handlebar. Incl. Ref. 38.....	1	24	1767639	Throttle Lever Control w/Cable	1
2	1767435001	Upper Handlebar	1	25	90006	Hex Cap Screw, 1/4-20 x 1-3/4	
3	1902096	Bail Assembly, OPC Control.....	1			Model (B)	1
4	1903404	Handle Adj. Quadrant - Outside	2			Model (A)	2
5	1903417	Handle Adj. Quadrant - Inside.....	2	26	----	(This Ref. No. not used)	--
6	1909250	Handle Adj. Knob.....	2	27	1734398	Toplock Nut, 1/4-20	
7	1909996	Cable, Drive Control Clutch (A).....	1			Model (B)	1
8	1765879	Retainer, 1/4	2			Model (A)	5
9	1754128	Hex Flange Screw, 1/4-20 x 3/4.....	2	28	9057	Knob	1
10	1749977001	Bracket, Cable.....	1	29	1763682	Cable Tie (reusable)	
11	1900383	Pin, Locking Square Bail.....	2			Model (B)	1
12	1909683001	Mount, Drive Control (A)	1			Model (A)	3
13	1909995001	Bracket, Drive Control (A).....	1	30	1768320	Decal, Wheel Drive (A).....	1
14	1909994	Spring, Extension (A)	1	31	----	(This Ref. No. not used)	--
15	1909690	Drive Control Arm Ass'y (A)	1	32	----	(This Ref. No. not used)	--
16	1766536	Clevis Pin.....	2	33	1765593	Button Hd. Screw, 1/4-20 x 3/4	
17	1908679	Cap, Push-on, .312 dia.	3			(A).....	3
18	1768319	Decal, Throttle Control	1	34	1767648	Washer, Belleville (A).....	1
19	1768535	Rope Guide.....	1	35	1767699	Bushing, Nylon (A)	1
20	----	(This Ref. No. not used)	--	36	90006	Screw, 1/4-20 x 1-1/2 (A).....	1
21	1908673	Ring, Grip, .312 dia.	1	37	1731025	Screw, Curved Hd., 5/16-18 x 2.....	2
22	1908677	Nyliner Bushing	2	38	1903587	Decal, Bail Stop	1
23	1765935	Cable, Engine Brake (OPC)	1				

(A) – Model 34324
 (B) – Model 34327

contact@emc-mower.com

BOLENS® MULCHING MOWER

S/N: 343250100101 - 343250199999
343260100101 - 343260199999



HANDLEBAR AND MOWER CONTROLS – MODELS 34325 & 34326

REF No.	PART No.	DESCRIPTION	QTY.	REF No.	PART No.	DESCRIPTION	QTY.
1	1903621	Lower Handlebar. Incl. Ref. 50.....	1	28	1909980	Drive Control Arm w/Speed Control Cable Ass'y.....	1
2	1767435001	Upper Handlebar.....	1	29	----	(This Ref. No. not used).....	--
3	1902096	Bail Ass'y, OPC Engine Brake Control.....	1	30	1767648	Washer, Belleville.....	1
4	1900383	Pin, Locking Square Bail.....	2	31	----	(This Ref. No. not used).....	--
5	1909996	Cable, Drive Control Clutch.....	1	32	----	(This Ref. No. not used).....	--
6	----	(This Ref. No. not used).....	--	33	1763682	Cable Tie, Reusable, Model (A).....	4
7	----	(This Ref. No. not used).....	--			Model (B).....	5
8	1731025	Screw, Curve Hd., 5/16-18 x 2.....	2	34	1900455	Ignition Switch (B).....	1
9	1766536	Pin, Clevis.....	2	35	1765591	Washer, Flat, .265 I.D.....	4
10	1908679	Cap, Push-on, .312 dia.....	3	36	1766507	Screw, 1/4-15 x 7/8.....	2
11	1754128	Hex Flange Screw, 1/4-20 x 3/4....	6	37	1765593	Screw, Button-hd., 1/4-20 x 3/4....	1
12	1749977001	Bracket, Cable.....	1	38	1767649	Nylon Bushing.....	1
13	1908677	Nyliner Bushing.....	2	39	9811	Toplock Nut, 1/4-20.....	1
14	1765935	Cable, OPC Engine Brake.....	1	40	96520	Key, Ignition (B).....	2
15	----	(This Ref. No. not used).....	--	41	92018	Hex Nut, 5/8-32 (B).....	1
16	1908673	Ring, Grip, .312 dia.....	1	42	94021	Lockwasher, 5/8 (B).....	1
17	1902417	Decal, Wheel Drive.....	1	43	1768535	Rope Guide.....	1
18	1909718	Handlebar Console.....	1	44	----	(This Ref. No. not used).....	--
19	1765917	Throttle Lever Control w/Cable.....	1	45	----	(This Ref. No. not used).....	--
20	9057	Knob.....	1	46	1765894	Decal, Electric Start (B).....	1
21	1766502	Screw, Special, #10-16 x 7/8.....	2	47	1768576	Decal, Throttle.....	1
22	----	(This Ref. No. not used).....	--	48	----	(This Ref. No. not used).....	--
23	1765879	Retainer, 1/4.....	2	49	1909994	Spring, Extension.....	1
24	1909995001	Bracket, Drive Control.....	1	50	1903587	Decal, Bail Stop.....	1
25	1903404	Handle Adj. Quadrant - Outside.....	2				
26	1903417	Handle Adj. Quadrant - Inside.....	2				
27	1909250	Handle Adj. Knob.....	2				

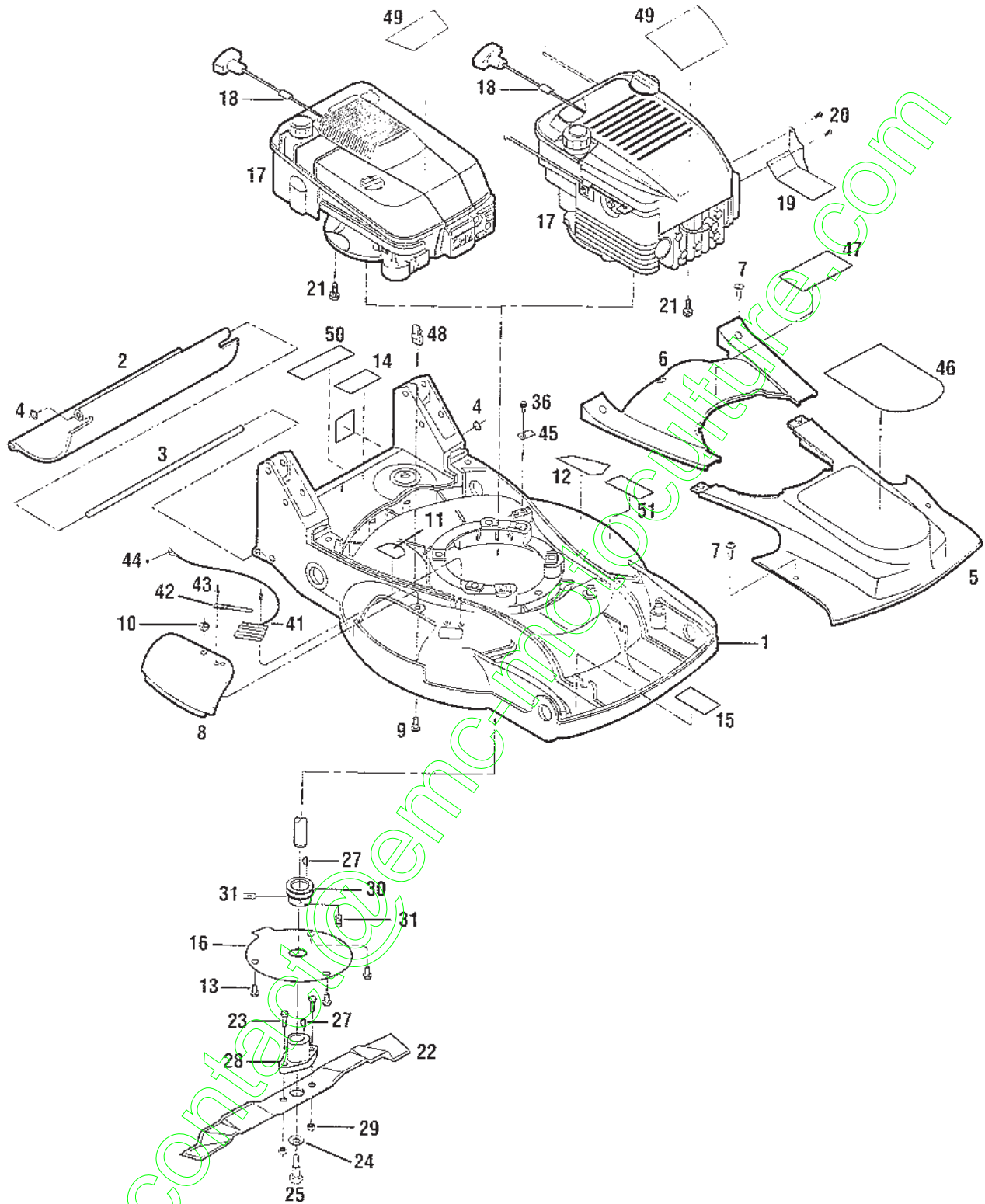
(A) – Model 34325

(B) – Model 34326

contact@emc-mfg.com

BOLENS® MULCHING MOWER

S/N: 343240100101 - 343240199999
343250100101 - 343250199999
343260100101 - 343260199999
343270100101 - 343270199999



ENGINES, MOWER DECK AND BLADE ASSEMBLIES -
MODELS 34324, 34325, 34326 & 34327

REF No.	PART No.	DESCRIPTION	QTY.	REF No.	PART No.	DESCRIPTION	QTY.
1	1904121	Mower Deck. Incl. Refs. 2, 3, 4, 9, 11, 12, 14, 15, 41, 43, 50 & 51	1	26	----	(This Ref. No. not used)	--
2	1902656	Flap, Safety	1	27	1185885	Woodruff Key, .188 x .625 Model (A)	1
3	1902721	Rod, Safety Flap	1			Models (B)(C)	2
4	1908673	Ring, Retaining	2	28	1766541	Blade Coupling	1
5	1904123	Cover, Front Deck. Incl. Ref. 46	1	29	1733398	Hex Locknut, 3/8-16	2
6	1768953	Cover, Rear Deck. Incl. Ref. 47	1	30	1766546	Sheave, Engine (B)(C)	1
7	1766503	Screw, Thread-Forming, #12-24 x .63	5	31	1738845	Sq. Hd. Setscrew, 1/4-20 x 1/2 (B)(C)	2
8	1902113	Door, Discharge. Incl. Refs. 42 & 43	1	32	----	(This Ref. No. not used)	--
9	1766512	Screw, Special, #31-24 x 3/4	1	33	----	(This Ref. No. not used)	--
10	1766514	Toplock Nut, 5/16-24	1	34	----	(This Ref. No. not used)	--
11	1768434	Decal, Guard Warning	1	35	----	(This Ref. No. not used)	--
12	1739687	Decal, OPEI Blade Caution	1	36	----	(This Ref. No. not used)	--
13	9552	Hex Hd. Screw, 1/4-20 x 1/2 (B)(C)	3	37	----	(This Ref. No. not used)	--
14	1768436	Decal, Thrown Objects Danger	1	38	----	(This Ref. No. not used)	--
15	1768435	Decal, Pinch Warning (B)(C)	1	39	----	(This Ref. No. not used)	--
16	1909893	Shield, Grass (B)(C)	1	40	----	(This Ref. No. not used)	--
17	*	Engine	1	41	1768443	Switch, Interlock	1
18	1746425	Rope Stop	1	42	1764197	Tab, Switch	1
19	1766513001	Heat Shield	1	43	97000	Rivet, Pop	4
20	90002	Hex Flange Screw, Thread-Forming, #8-18 x .405	2	44	1902137	Screw, #10-24 x .25	1
21	1767610	Screw, Thread-Forming, 3/8-16 x 1-1/4	3	45	----	(This Ref. No. not used)	--
22	1768306	Blade Kit. Incl. Refs. 23 & 29	1	46	1915008	Decal, Logo	1
23	1100046	Hex Capscrew, Grade 5, 3/8-16 x 1	2	47	1768743	Decal, Warning	1
24	9914	Lockwasher, 1/2	1	48	9218	Clip, Cable (B)(C)	1
25	1746688	Shoulder Screw, 3/8-24 x 1.63	1	49	1915009	Decal, Engine 4HP (A)	1
					1915010	Decal, Engine 5HP (B)(C)	1
				50	1903588	Decal, Caution, Operation/Hazard	1
				51	1903584	Decal, Warning, Hot Surface	1

(A) - Model 34327

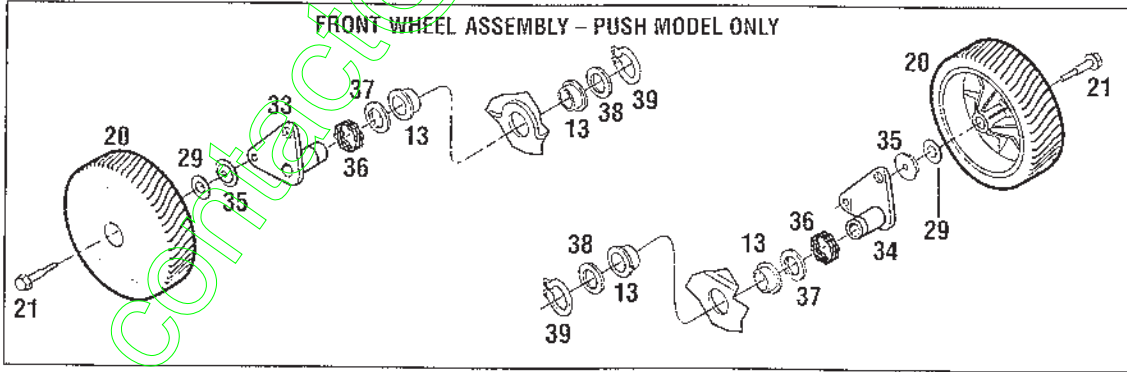
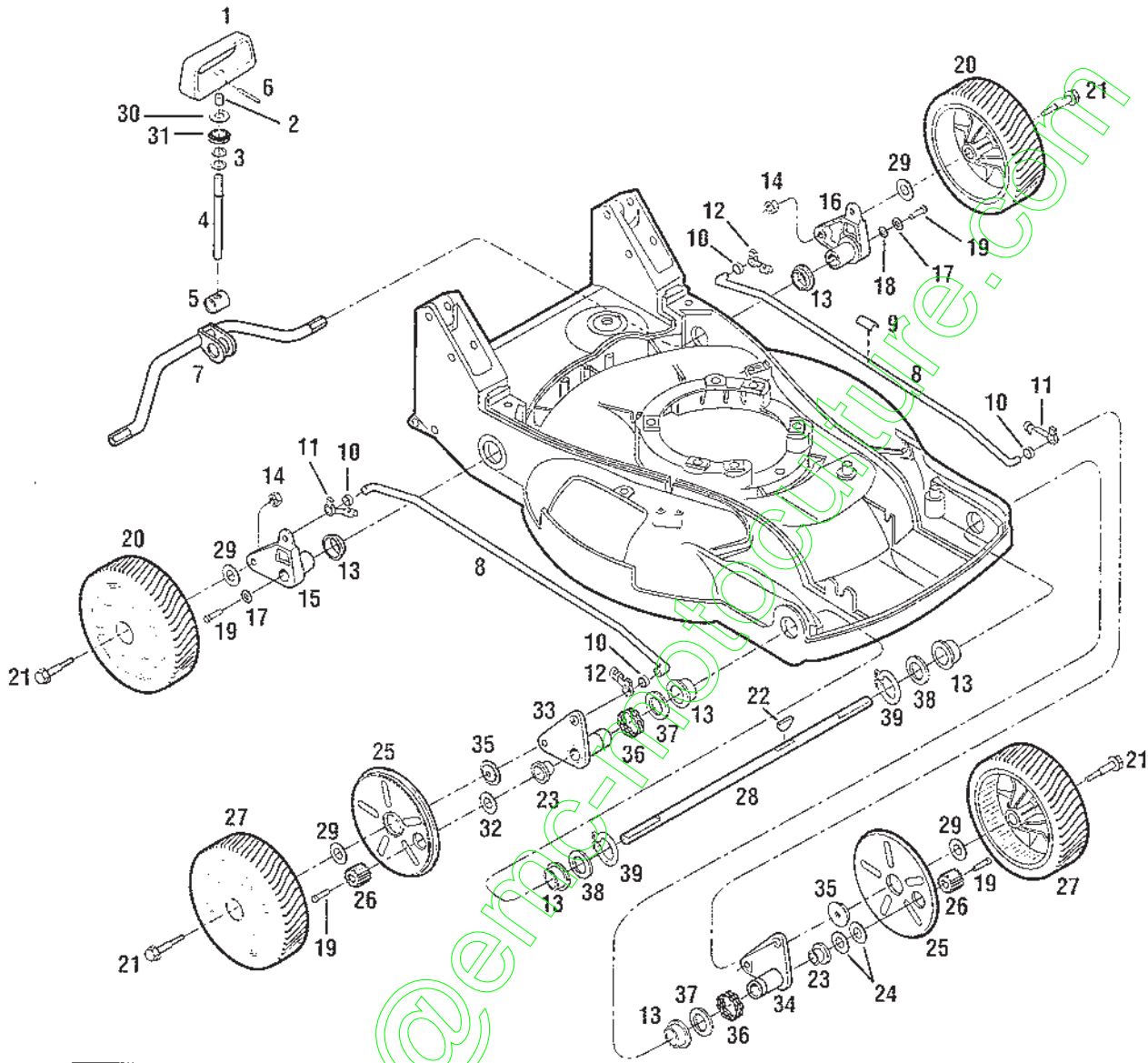
(B) - Model 34324

(C) - Models 34325 & 34326

contact@eric-motors.com

BOLENS® MULCHING MOWER

S/N: 343240100101 - 343240199999
343250100101 - 343250199999
343260100101 - 343260199999
343270100101 - 343270199999



**CUTTING HEIGHT CONTROL AND WHEEL ASSEMBLIES -
MODELS 34324, 34325, 34326 & 34327**

REF No.	PART No.	DESCRIPTION	QTY.	REF No.	PART No.	DESCRIPTION	QTY.
1	1754149	Height Adj. Handle	1	21	1903416	Shoulder Screw, 3/8-16 x 2.31.....	4
2	1762886	Spacer. Handle	1	22	1908671	Woodruff Key (B)	1
3	20546	Washer, Flat, 1/2	2	23	1903744	Bearing, Carrier (B)	2
4	1764815	Screw, Handle Adj.	1	24	1902283	Shim, Hardened, .030 thick (B).....	A/R
5	1765594	Pivot, Screw Adj.	1		1902284	Shim, Hardened, .015 thick (B).....	A/R
6	1120210	Roll Pin, .188 x 1	1	25	1902415	Shield, Wheel (B)	2
7	1768578	Axle, Rear.....	1	26	1764570	Pinion, Drive (B)	2
8	1764818021	Link, Height Adj.	2	27	1767772	Tire/Wheel Assembly, Front (B).....	2
9	1767792	Decal, Height Adj. Line.....	1	28	1909402	Axle, Front Drive (B)	1
10	1768962	Nyliner Bushing.....	4	29	1909311	Washer, Flat, .406 I.D.	4
11	1765551	Clip, Rod (right rear/left front)	2	30	1185816	Washer, Flat, 1-1/2 x 1 x 1/16	1
12	1765550	Clip, Rod (left rear/right front)	2	31	1708850	Grommet, Rubber	1
13	1766500	Bearing, Axle Arm	6	32	1902529	Washer, Thrust, (B).....	1
14	9807	Hex Locknut, 3/8-16	2	33	1909927001	Front Wheel Arm, Right Hand	1
15	1764820	Arm, Rear Wheel, Right Hand	1	34	1909933001	Front Wheel Arm, Left Hand.....	1
16	1764819	Arm, Rear Wheel, Left Hand.....	1	35	1902333	Spacer.....	2
17	1765591	Washer, Flat, .265	2	36	1909948	Spring, Crest.....	2
18	1767439	Washer, Flat, .281	1	37	1703073	Washer, .030 thick	2
19	1903399*	Hex Socket Hd, 1/4-20 x 3/4	2	38	1185816	Washer, .060 thick	2
20	1767773	Tire/Wheel Assembly		39	1909950	Ring, Retaining	2
		Model (A)	4				
		Model (B)	2				

* Apply a coating of removable thread-locking compound (such as Loctite 242®) before installing part.

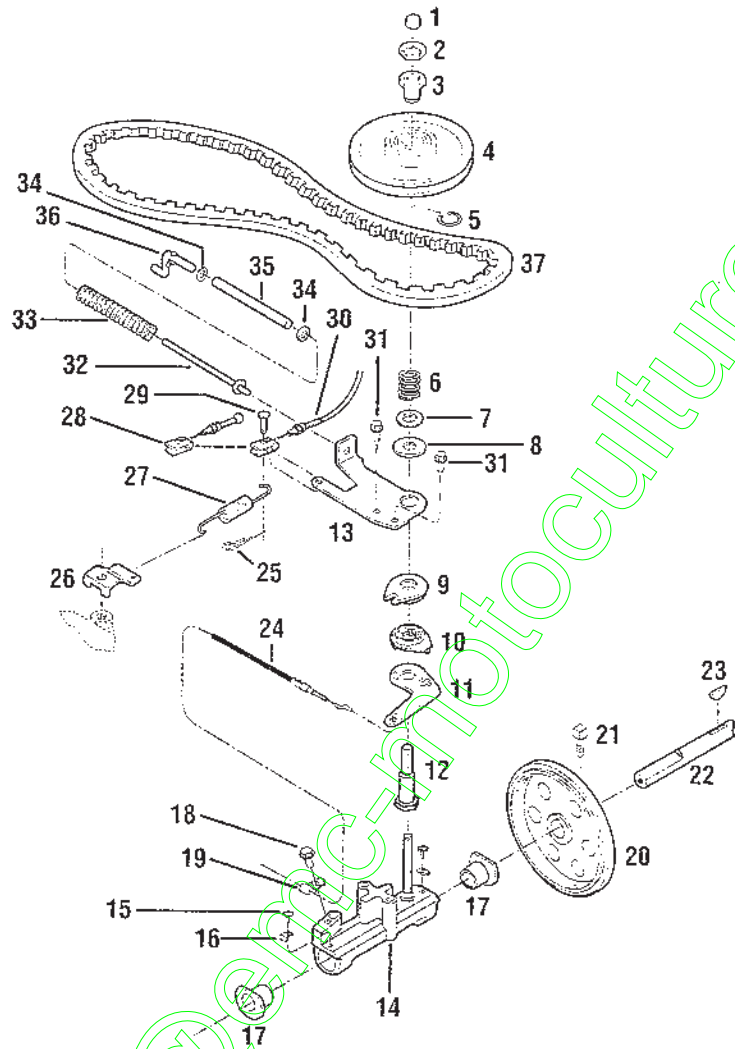
(A) – Model 34327

(B) – Models 34324, 34325 & 34326

contact@emc-moto.com

BOLENS® MULCHING MOWER

S/N: 343240100101 - 343240199999
343250100101 - 343250199999
343260100101 - 343260199999



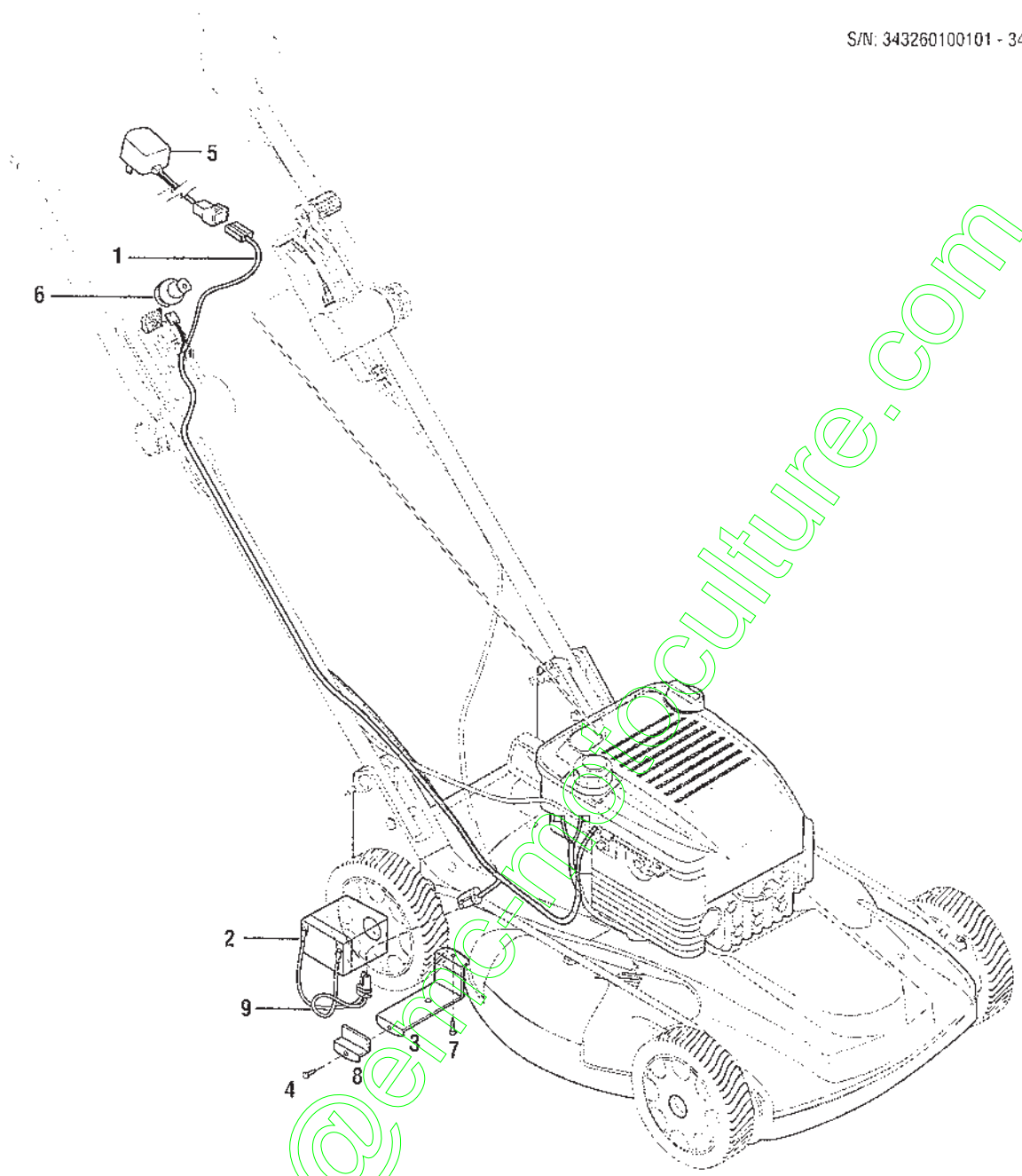
contact@proptoculture.com

WHEEL DRIVE ASSEMBLIES -
MODELS 34324, 34325 & 34326

REF No.	PART No.	DESCRIPTION	QTY.	REF No.	PART No.	DESCRIPTION	QTY.
1	1915001	Cap, Plug	1	20	1909975	Disc, Friction Drive.....	1
2	1765749	Hex Locknut, 1/2-20	1	21	1103440	Sq. Hd. Setscrew, 1/4-20 x .41	1
3	1909875	Nut, Bearing	1	22	1909402	Axle, Front Drive	1
4	1903414	Sheave with Bearing.....	1	23	1908671	Key, Woodruff	1
5	1909985	Ring, Retaining (snap)	1	24	1909996	Cable, Drive Control Clutch	1
6	1909998	Spring, Compression	1	25	9338	Pin, Cotter, 0.08 dia.....	1
7	94003	Washer, Special.....	1	26	1909900010	Bracket, Spring Mounting	1
8	1909984	Washer, Sealing	1	27	1909848	Spring, Speed Control	1
9	1903745	Plate, Upper Ramp.....	1	28	1909999	Adjuster, Speed Control (A).....	1
10	1903746	Plate, Lower Ramp	1	29	1915000	Pin	1
11	1909977	Arm, Control	1	30	1909980	Drive Control Arm with Speed Control Cable Assembly (B).....	1
12	1909868	Sleeve, Adjustment	1	31	1754128	Screw, Hex Flange, 1/4-20 x 3/4 ...	2
13	1909870	Plate, Anchor	1	32	1909973	Rod, Belt	1
14	1904119	Carrier with Stud.....	1	33	97137	Spring	1
15	1909983	Screw, Retaining	2	34	9900	Washer, 1/4.....	2
16	1909889	Clip, Bearing Retainer	2	35	1909945	Sleeve, Belt	1
17	1903744	Bearing, Carrier.....	2	36	1903671	Anchor, Rod	1
18	1767754	Sems Screw, #10-24, Thd Forming	1	37	1909946	Belt, Cogged.....	1
19	1715127	Clamp, Cable Housing.....	1				

(A) - Model 34324
(B) - Models 34325 & 34326

contact@emc-motocultivati...



REF No.	PART No.	DESCRIPTION	QTY.
1	1765888	Harness, Wire.....	1
2	1909647	Battery.....	1
3	1765887001	Bracket, Battery.....	1
4	1754128	Hex Flange Screw, Thd-Forming, 1/4-20 x 3/4.....	1
5	1733252	Charger, Battery.....	1

REF No.	PART No.	DESCRIPTION	QTY.
6	---	See Page 7 for ignition switch components.....	
7	9552	Hex Flange Screw, Thread-Forming, 1/4-20 x 1/2.....	1
8	1909790001	Bracket, Spacer.....	1
9	1909697	Connector, Battery.....	1





**Yvan Béal - 21, av. de l'Agriculture - B.P. 16
Z.I. du Brézet - 63014 Clermont-Ferrand Cedex 2
Tél : 04 73 91 93 51 - Télécopie : 04 73 90 23 11
www.yvanbeal.fr - E-mail : info@yvanbeal.fr
R.C.S. Clermont-Fd B 304 973 886 - S.A.S. au capital de 612 000 €**