

**shindaiwa<sup>®</sup>**

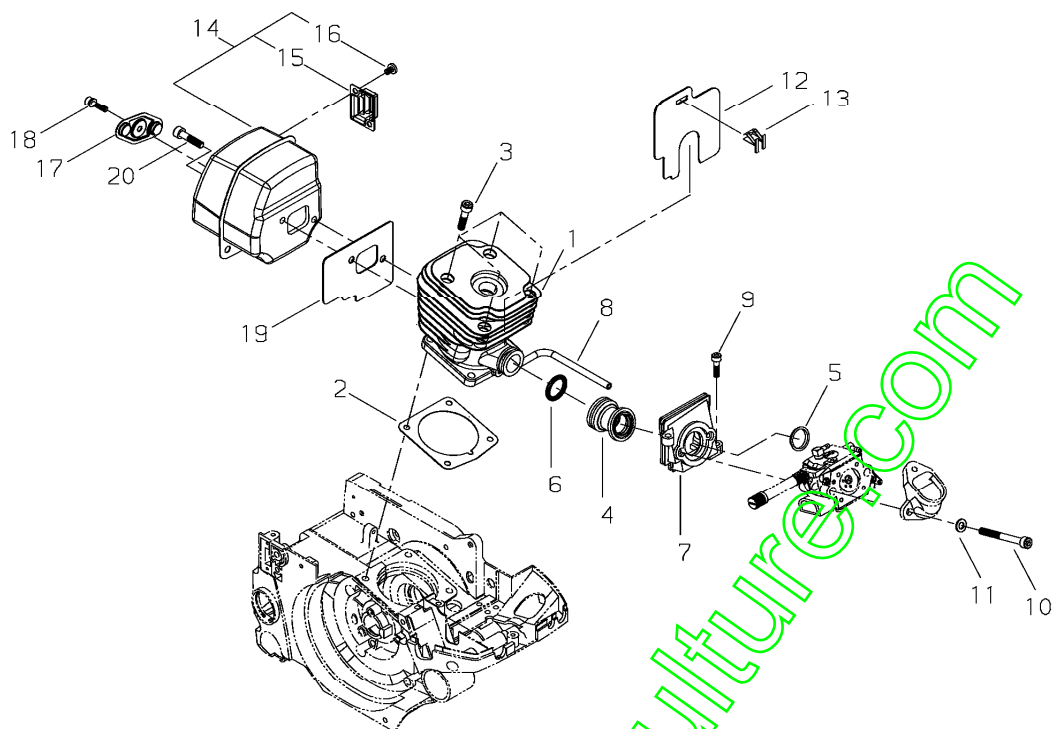
**PARTS CATALOG**

**CHAIN SAW  
389S EC1**

[www.emc-motoculture.com](http://www.emc-motoculture.com)

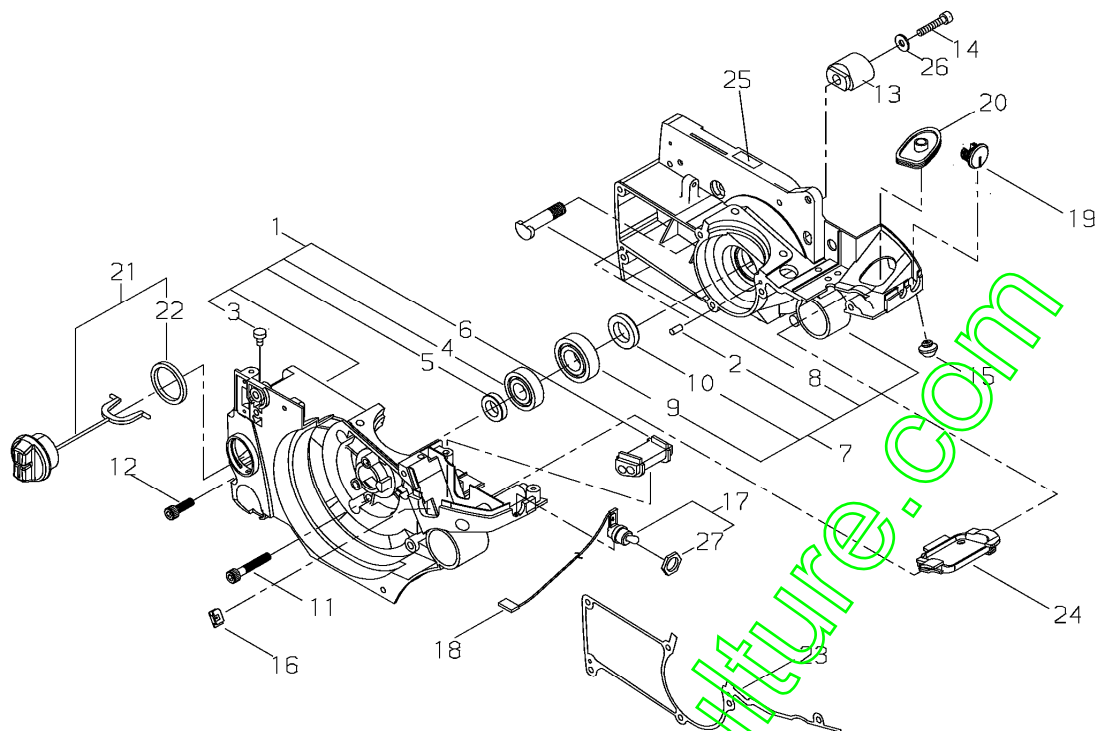
389S EC1

## 1. CYLINDER, MUFFLER



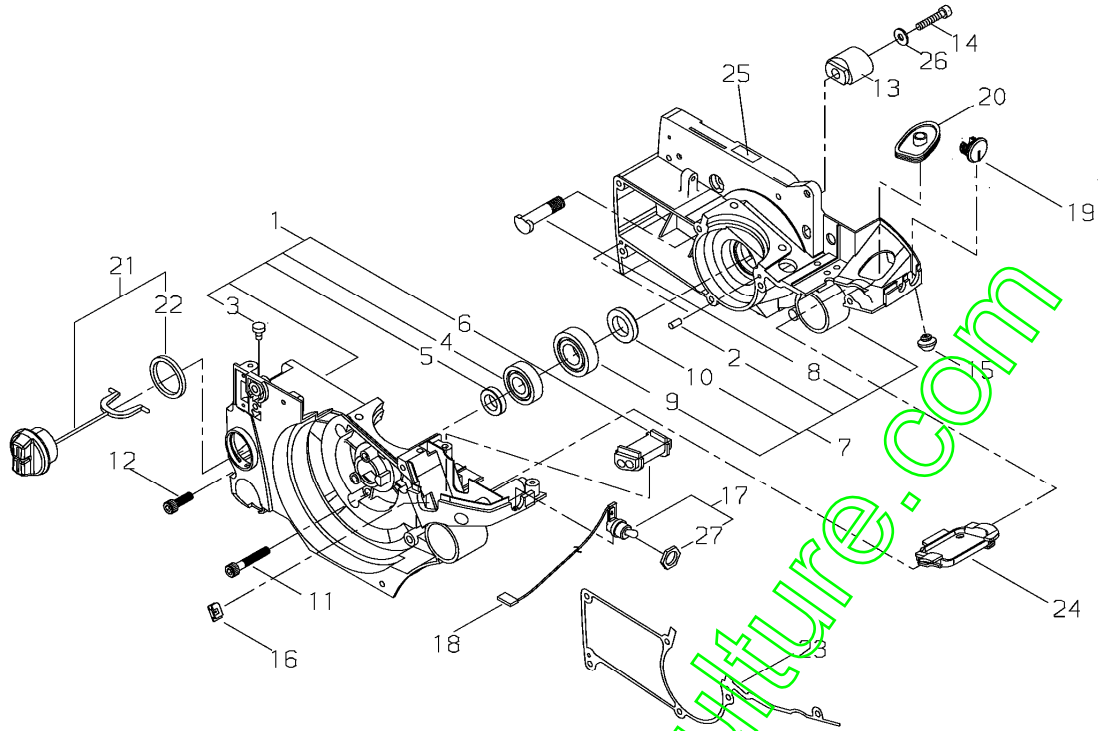
KEY	LV	PART NUMBER	Q'TY	DESCRIPTION	REMARKS	NOTE1	NOTE2
1		39304-12110	1	CYLINDER			
2		22182-12120	1	GASKET CYLINDER			
3		01020-05180	4	BOLT		M5x18	
4		39010-11031	1	BOOT			
5		22156-14140	1	COLLAR			
6		22160-12160	1	SPRING			
7		39010-11041	1	BRACKET			
8		39010-11050	1	PLUSE PIPE			
9		11060-04160	3	BOLT ADHESIVE		M4x16	
10		01020-05480	2	BOLT		M5x48	
11		01610-05080	2	WASHER		5mm	
12		39304-31170	1	GASKET			
13		39304-31180	1	CLIP			
14		69024-15110	1	MUFFLER ASSY			
15		72365-15210	1	TAIL PLATE			
16		11203-04060	2	SCREW PM		M4x6	
17		22182-15120	1	CAP MUFFLER			
18		11022-04100	1	BOLT SPW		M4x10	
19		39304-15211	1	GASKET			
20		01020-05160	4	BOLT	M5*16 BLACK	M5x16	

## 2. CRANKCASE



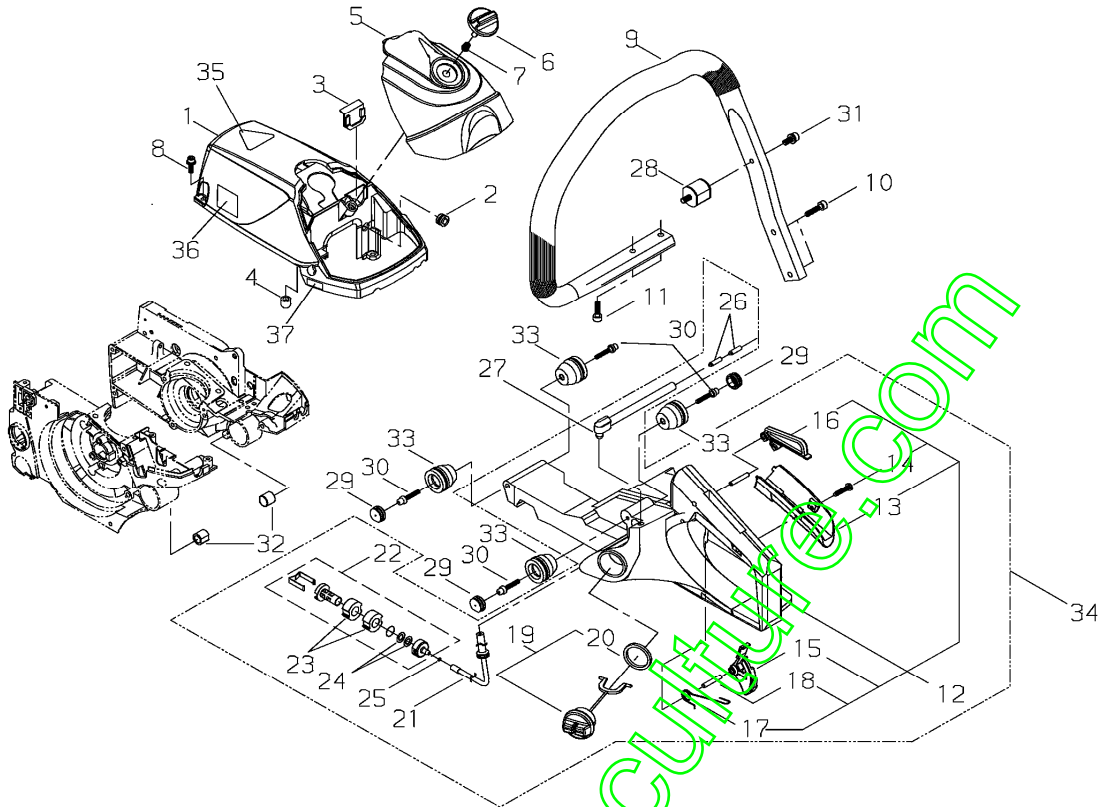
KEY	LV	PART NUMBER	Q'TY	DESCRIPTION	REMARKS	NOTE1	NOTE2
1		69024-21011	1	CASE M COMP			
2	▪	12492-40080	2	ROLLER		E4X8F6 C3	
3	▪	22115-57120	1	VALVE OIL TANK			
4	▪	12900-60010	1	BALL BEARING			
5	▪	22150-21250	1	SEAL OIL			
6	▪	69024-21310	1	GROMMET			
7		39304-21022	1	CASE C COMP			
8	▪	22182-21530	2	BOLT BAR			
9	▪	12900-60022	1	BEARING			
10	▪	22182-21551	1	OIL SEAL			
11		01020-05300	3	BOLT		M5x30	
12		01020-05160	3	BOLT	M5*16 BLACK	M5x16	
13		22160-52511	1	CATCHER,CHAIN			
14		22155-12190	1	BOLT		M5x12	
15		22182-21621	1	SUPPORTER			
16		39304-21130	1	GROMMET			
17		22182-22101	1	SWITCH ASSY			
18		22182-22141	1	CORD			
19		39054-21320	1	PLUG			
20		22182-22211	1	GROMMET FUEL			
21		72320-31403	1	CAP ASSY			
22	▪	22160-21351	1	GASKET CAP			
23		39010-21310	1	GASKET CASE			
24		39304-21321	1	GROMMET			
25		19401-00093	1	LABEL INST			
26		01610-05080	1	WASHER			

2. CRANKCASE



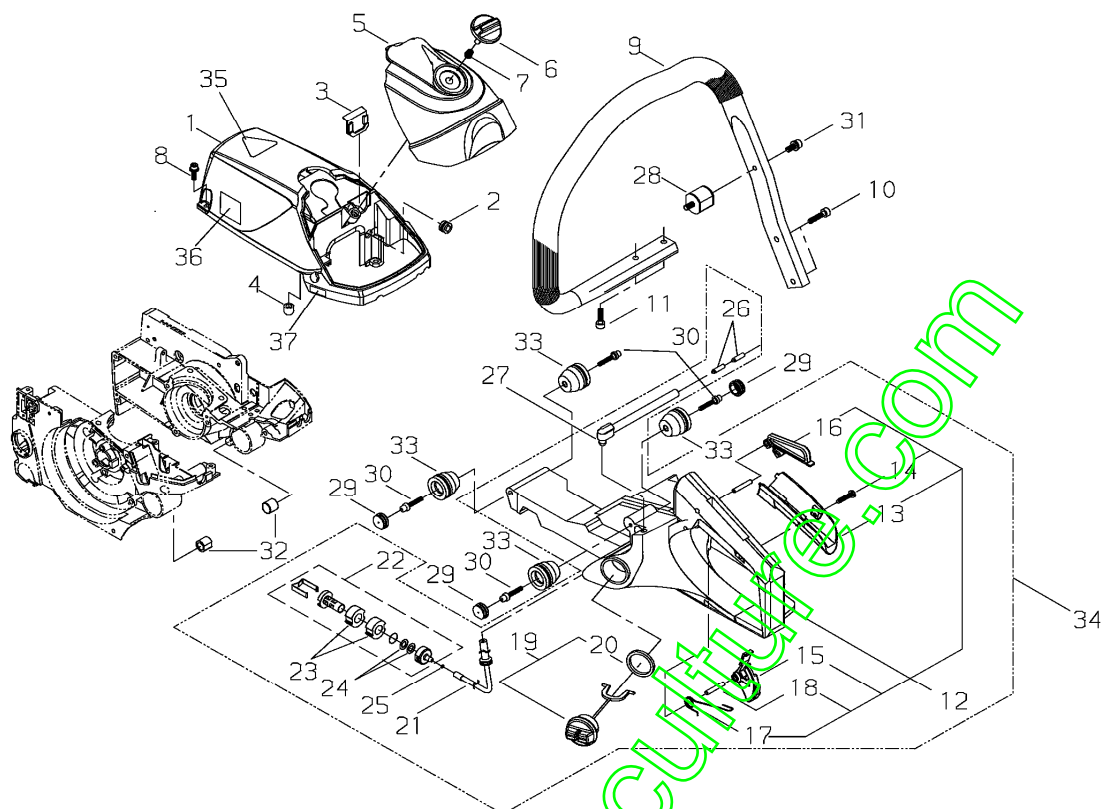
KEY	LV	PART NUMBER	Q'TY	DESCRIPTION	REMARKS	NOTE1	NOTE2
27	•	22154-22130	1	NUT			

## 3. COVER, HANDLE



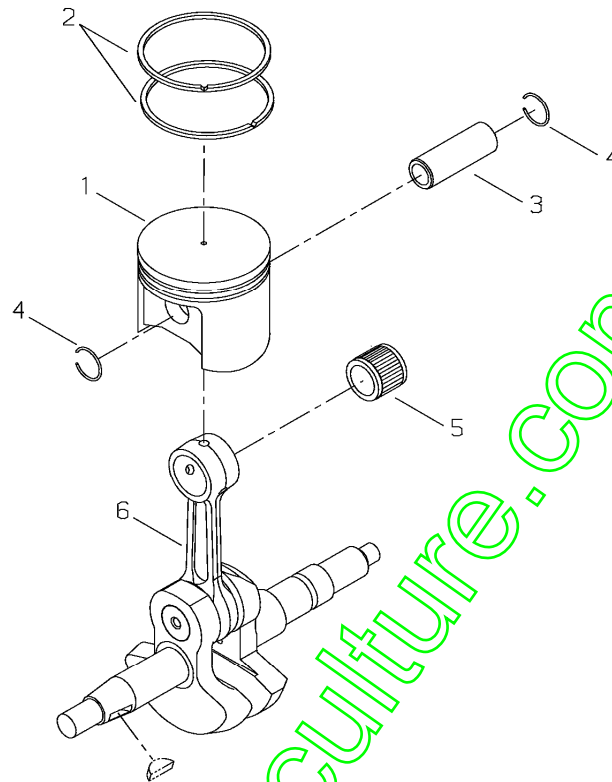
KEY	LV	PART NUMBER	Q'TY	DESCRIPTION	REMARKS	NOTE1	NOTE2
1		39304-31110	1	CYLINDER COVER			
2		15250-60500	1	GROMMET CHOKE		φ6xφ11xL7	
3		39304-31140	1	PLUG			
4		22182-31160	1	SUPPORTER			
5		69024-82130	1	CLEANER COVER			
6		22182-31220	1	KNOB,CLEANER LID			
7		22182-31230	1	SPRING			
8		11024-04140	4	BOLT SPW		M4x14	
9		39304-32110	1	FRONT HANDLE			
10		11029-50210	2	BOLT HILO		5x21	
11		11029-50170	2	BOLT HILO		5x17	
12		39010-32030	1	REAR HANDLE SUB ASSY			
13		22182-33230	1	GRIP			
14		01280-04222	1	SCREA TAPPING		4x22	
15		22182-33326	1	TRIGGER,THROTTLE			
16		22182-33332	1	LOCKOUT,THROTTLE			
17		22182-33340	1	SPRING,TORSION			
18		12420-40255	2	SPRING PIN		4x25	
19		22197-33802	1	CAP ASSY			
20		22160-21351	1	GASKET CAP			
21		39304-32310	1	FUEL PIPE			
22		22115-85401	1	FUEL FILTER			
23		22128-85421	2	ELEMENT,STRAINER			
24		22118-85460	2	ELEMENT			
25		20020-85540	1	CLIP			
26		22155-33950	2	ELEMENT			

## 3. COVER, HANDLE



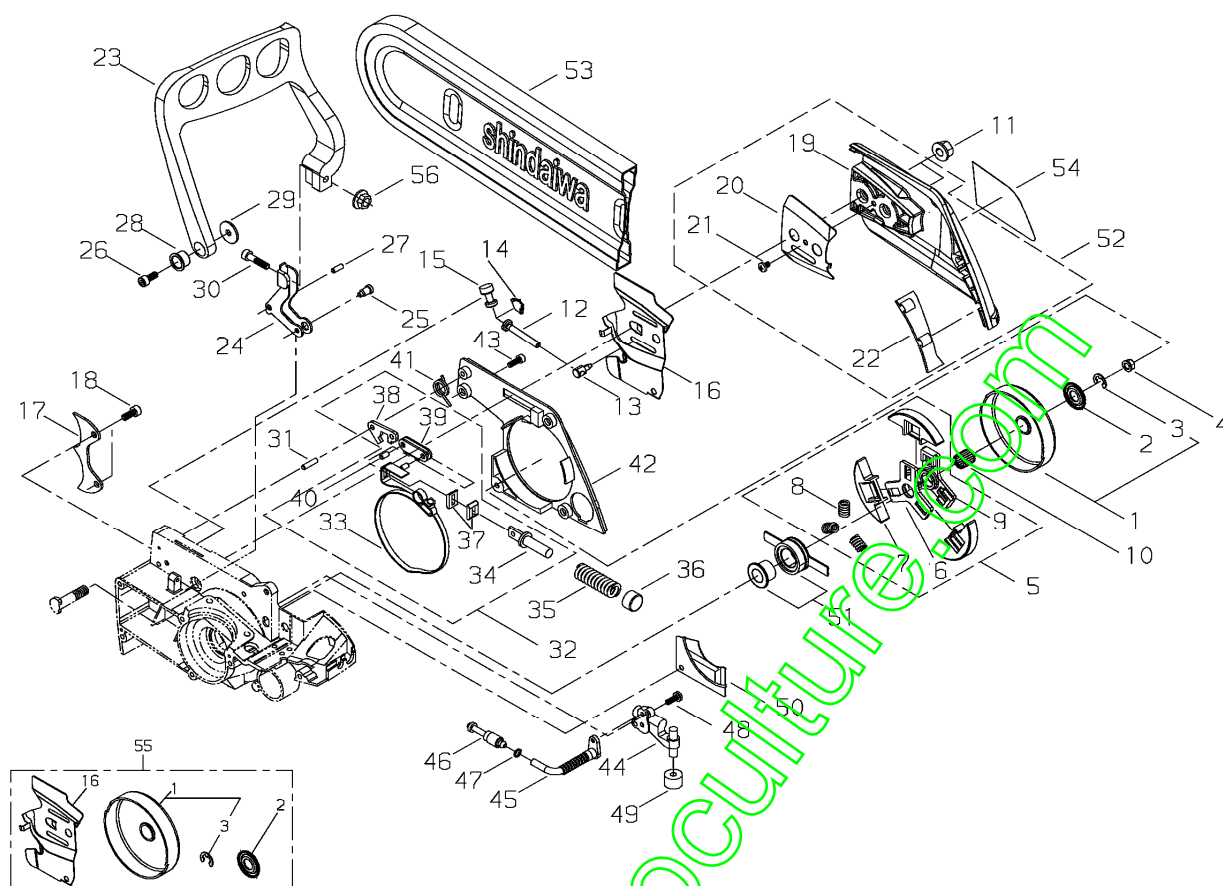
KEY	LV	PART NUMBER	Q'TY	DESCRIPTION	REMARKS	NOTE1	NOTE2
27	•	22182-33940	1	BREATHER PIPE			
28		22182-33742	1	CUSHION			
29		39304-33750	4	PLUG			
30		22156-33750	4	BOLT HILO			
31		11022-04100	1	BOLT SPW		M4x10	
32		22182-33760	2	SUPPORTER			
33		39304-33710	4	CUSHION			
34		39304-32020	1	REAR HANDLE ASSY			
35		19402-00083	1	LABEL CAUTION		PL	
36		19404-00037	1	LABEL DECIBEL		112dB(A)	
37		19401-00094	1	LABEL INST			

## 4. PISTON, CRANKSHAFT



KEY	LV	PART NUMBER	Q'TY	DESCRIPTION	REMARKS	NOTE1	NOTE2
1		39010-41111	1	PISTON			
2		39010-41120	2	PISTON RING			
3		22160-41220	1	PISTON PIN			
4		22100-41230	2	SNAP RING			
5		22160-41240	1	BEARING			
6		22182-42002	1	CRANK SHAFT			

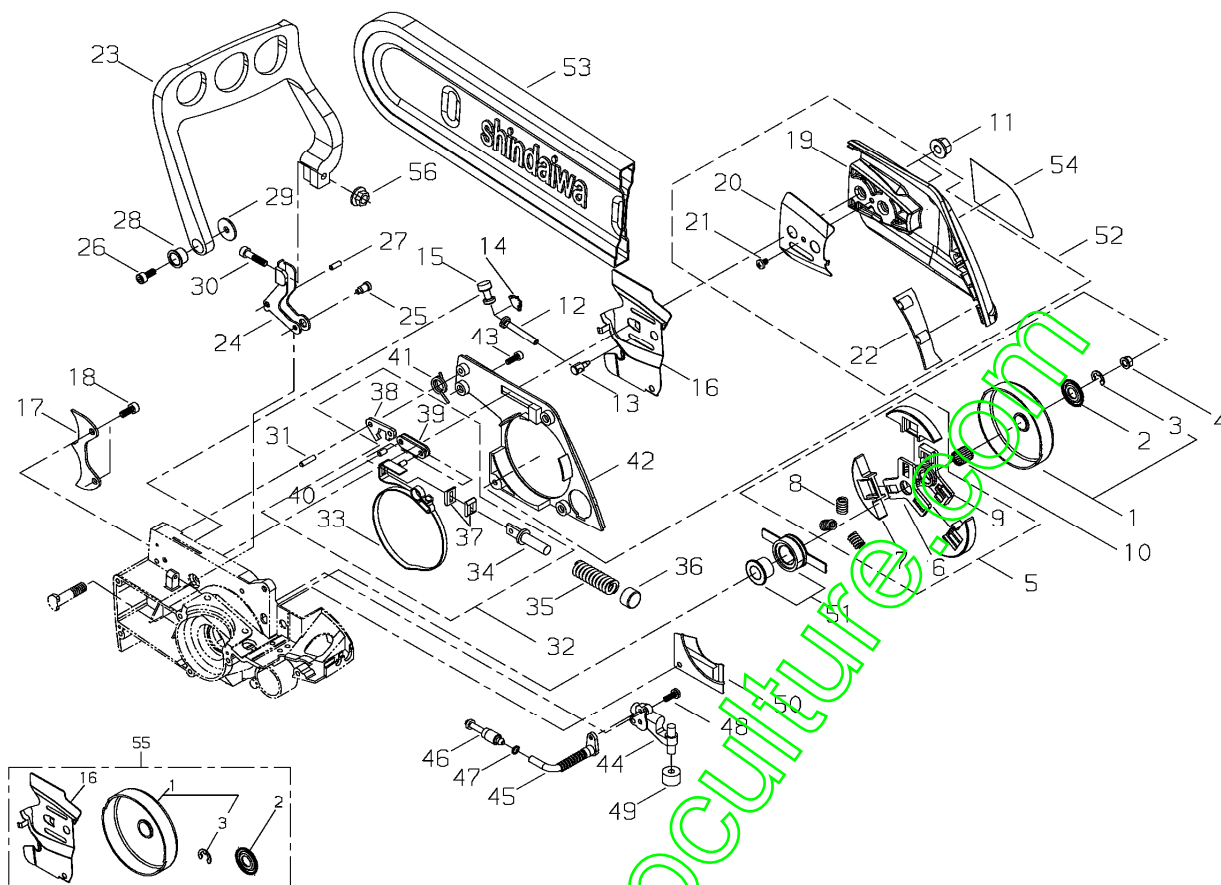
## 5. CLUTCH, CLUTCH COVER



KEY	LV	PART NUMBER	Q'TY	DESCRIPTION	REMARKS	NOTE1	NOTE2
1		72358-51310	1	CLUTCH DRUM SET			
2	▪	39305-51310	1	WASHER			
3	▪	22182-51140	1	SNAP RING			
4		22182-51170	1	NUT			
5		22197-51200	1	CLUTCH ASSY			
6	▪	22182-51210	1	CLUTCH BOSS A			
7	▪	22182-51220	3	CLUTCH SHOE			
8	▪	22197-51230	3	SPRING			
9	▪	22182-51241	1	HUB, CLUTCH			
10		22100-51310	1	NEEDLE BEARING			
11		22182-52411	2	NUT			
12		22182-52620	1	SCREW			
13		22150-52440	1	TENSIONER, CHAIN			
14		22182-52631	1	GUIDE			
15		22182-52641	1	ADJUST GEAR			
16	▪	22182-52663	1	GUIDE PLATE			
17		22182-52680	1	SPIKE			
18		01020-05120	2	BOLT	M5*12	M5x12	
19	▪	39304-53110	1	CLUTCH COVER			
20	▪	22182-54162	1	GUIDE PLATE			
21	▪	01270-04062	1	CSREW TAPPING		4x6	
22	▪	22182-54170	1	PROTECTOR			
23		72357-54511	1	GUARD			
24		22197-54521	1	LEVER			
25		22182-54540	1	BOLT LEVER			
26		01020-05120	1	BOLT	M5*12	M5x12	

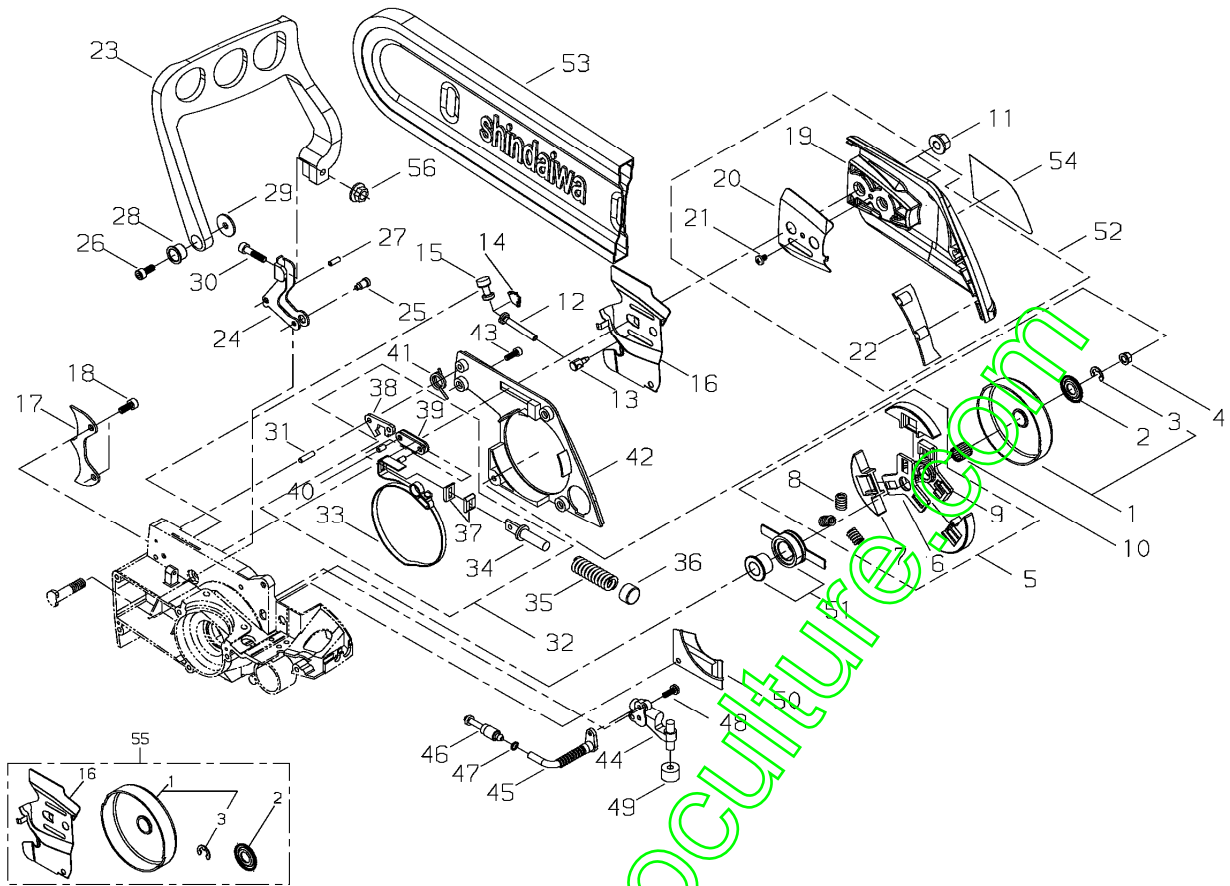


## 5. CLUTCH, CLUTCH COVER



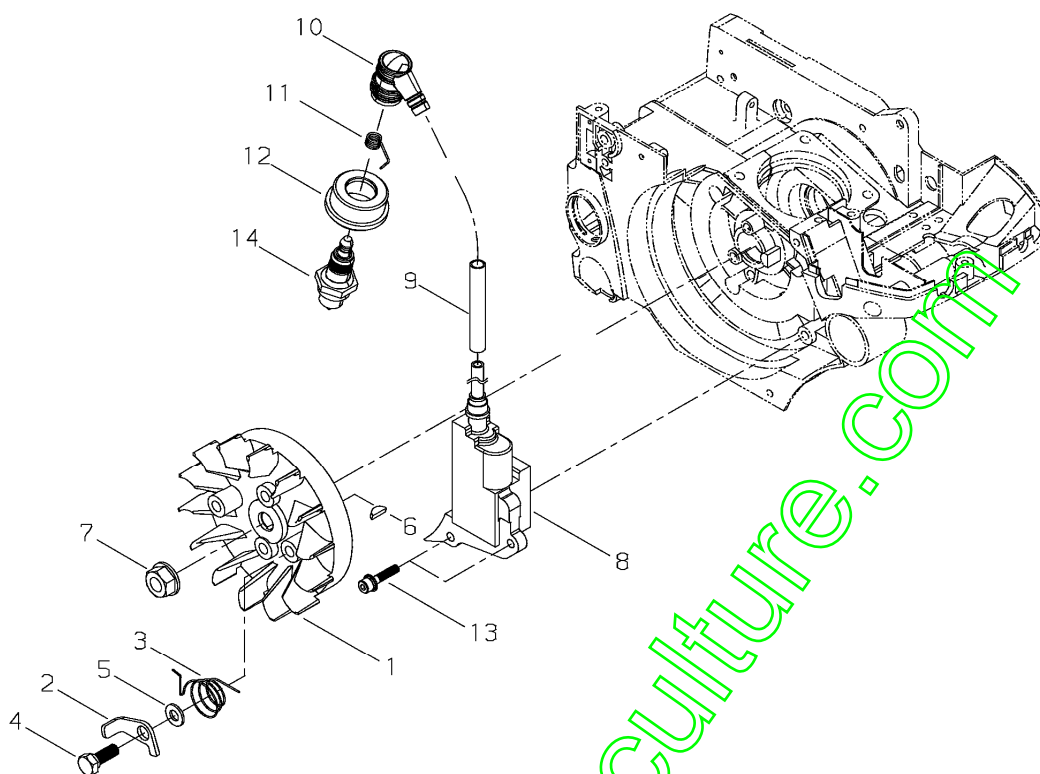
KEY	LV	PART NUMBER	Q'TY	DESCRIPTION	REMARKS	NOTE1	NOTE2
27		12492-40110	1	ROLLER		E4X11.8FW6-C3	
28		22169-54660	1	SPACER			
29		22169-54670	1	WASHER			
30		01020-05300	1	BOLT		M5x30	
31		12492-40160	1	ROLLER			
32		39304-54310	1	BRAKE BAND COMP			
33	▪	72357-54212	1	BRAKE BAND			
34	▪	72316-54220	1	HOLDER SPRING			
35		72316-54230	1	BRAKE SPRING			
36		72316-54240	1	STOPPER			
37	▪	72316-54310	2	ADJUST PLATE			
38	▪	22173-54561	1	INNER LEVER			
39	▪	72316-54570	1	TIE STRAP			
40	▪	12492-40080	2	ROLLER		E4X8F6 C3	
41		72357-54580	1	SPRING LEVER			
42		22197-54611	1	COVER BRAKE			
43		11060-04122	4	BOLT ADHESIVE		M4x12	
44		22197-55201	1	OIL PUMP ASSY			
45		22182-55311	1	OIL PIPE			
46		22182-55330	1	OIL FILTER			
47		22154-85540	1	CLIP OIL			
48		11205-04120	2	SCREW PM		M4x12	
49		22169-55430	1	ELEMENT			
50		22182-56110	1	PUMP COVER			
51		22197-55110	1	GEAR			

5. CLUTCH, CLUTCH COVER



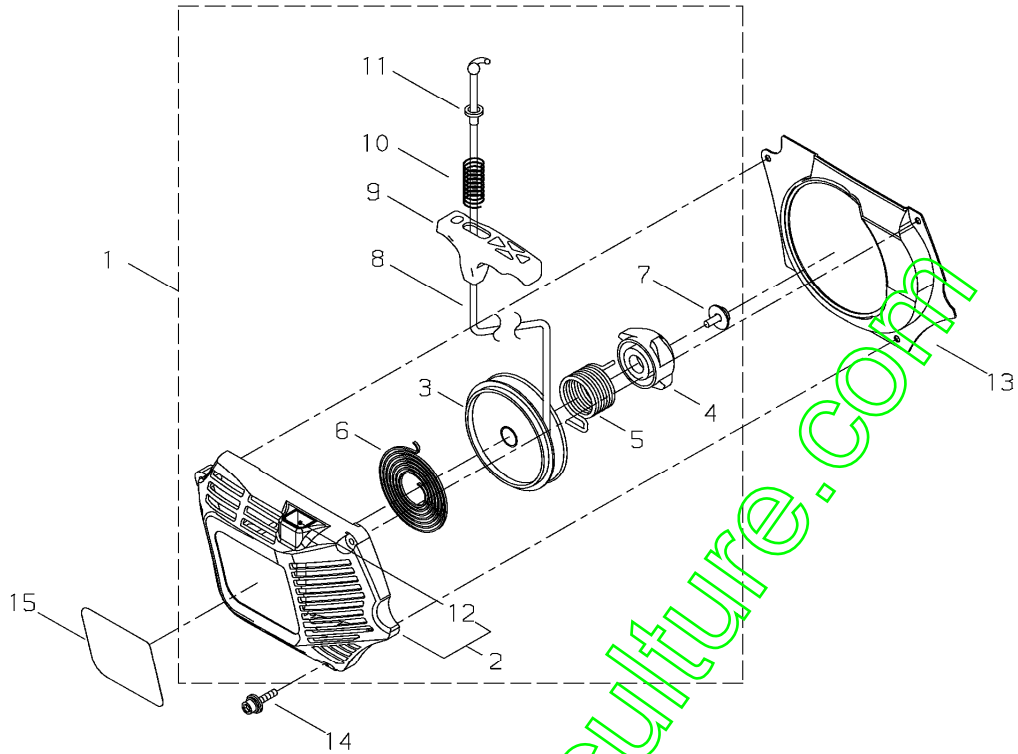
KEY	LV	PART NUMBER	Q'TY	DESCRIPTION	REMARKS	NOTE1	NOTE2
52		39304-53010	1	CLUTCH COVER ASSY			
53		19600-74100	1	CHAIN COVER			
54		69024-91332	1	LABEL TRADE			
55		69024-98370	1	CLUTCH DRUM SET			
56		11526-05212	1	FLANGE NUT		M5	

## 6. MAGNETO



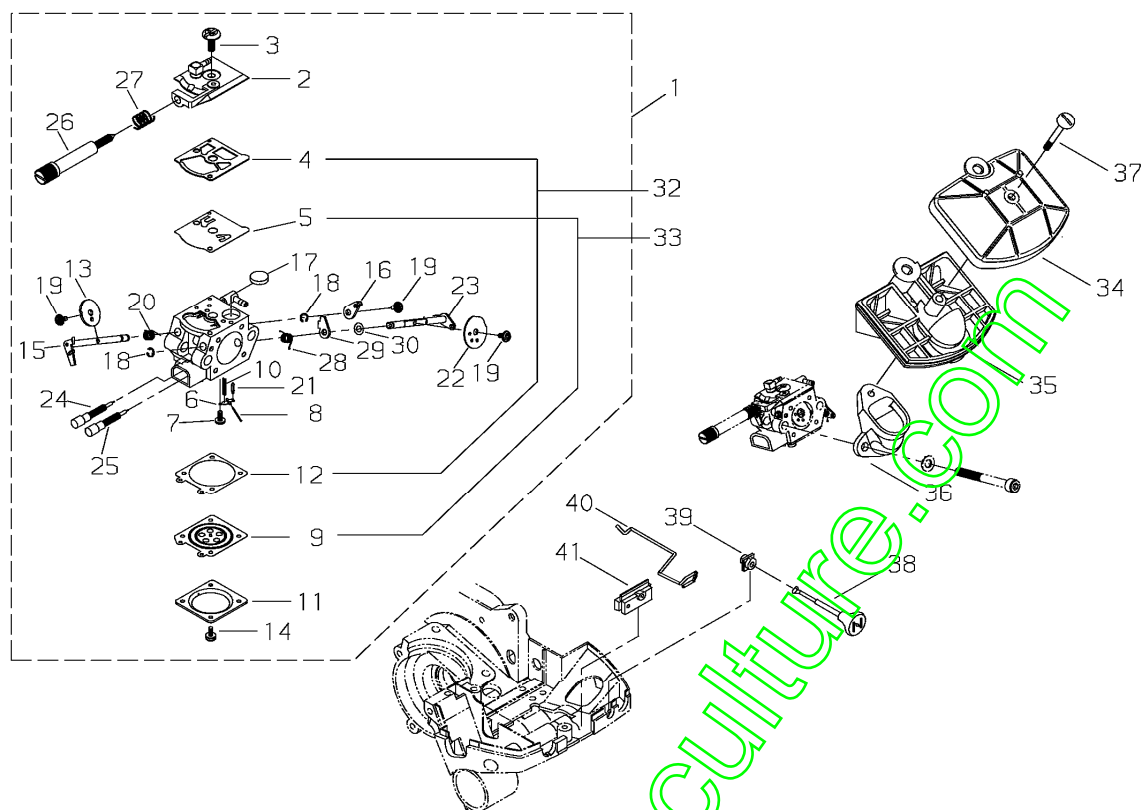
KEY	LV	PART NUMBER	Q'TY	DESCRIPTION	REMARKS	NOTE1	NOTE2
1		22182-71111	1	ROTOR			
2		22182-71412	2	PAWL			
3		22182-71421	2	SPRING RATCHET			
4		22182-71440	2	BOLT			
5		22182-71430	2	WASHER			
6		02403-03100	1	KEY	3*10	3x10 A	
7		22169-71460	1	NUT			
8		22182-71601	1	COIL SUB ASSY			
9		14009-96012	1	TUBE			
10		22160-72220	1	PLUG CAP			
11		22154-72230	1	TERMINAL, SPARK PLUG			
12		22182-72260	1	SEAL CAP			
13		11022-04200	2	BOLT SPW		M4x20	
14		13000-13507	1	SPARK PLUG BPMR7A		BPMR7A	

## 7. RECOIL STARTER



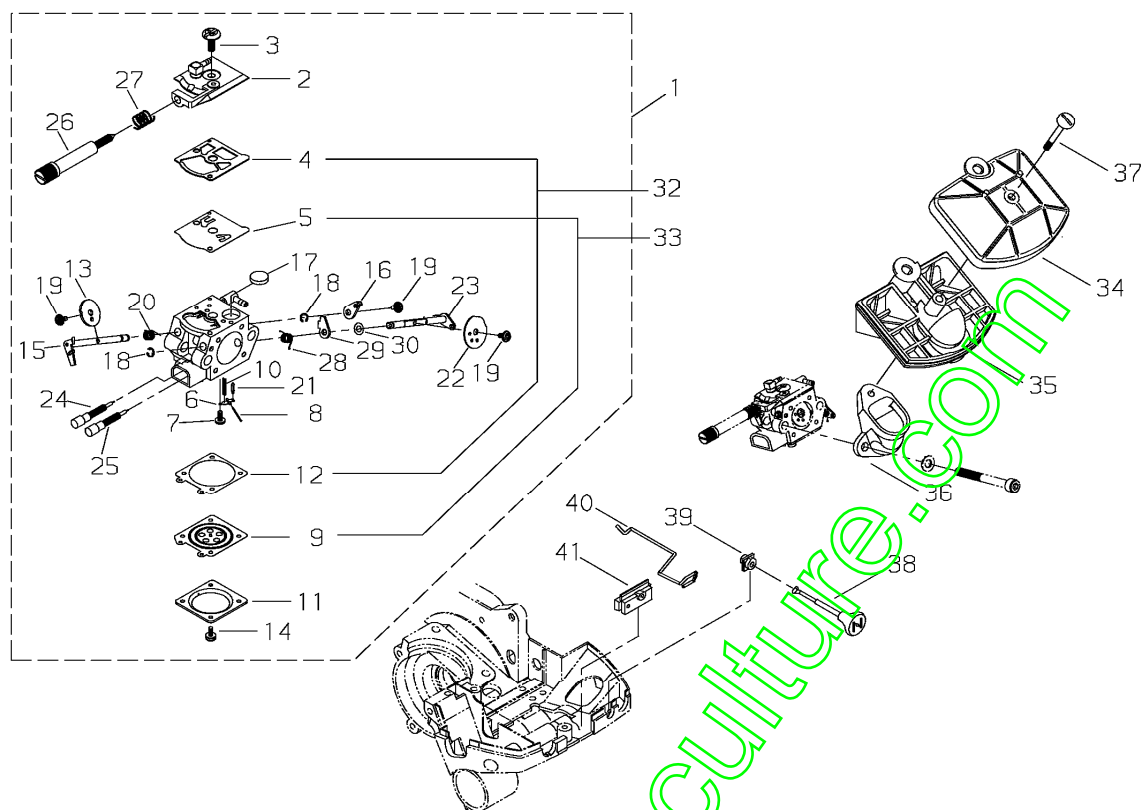
KEY	LV	PART NUMBER	Q'TY	DESCRIPTION	REMARKS	NOTE1	NOTE2
1		39304-75011	1	RECOIL STARTER ASSY			
2	▪	39304-75110	1	STARTER CASE			
3	▪	39300-75121	1	REEL			
4	▪	39300-75311	1	CAM			
5	▪	39309-75320	1	SPRING, TORSION			
6	▪	39300-75130	1	RECOIL SPRING			
7	▪	39300-75330	1	SCREW			
8	▪	39300-75140	1	ROPE			
9	▪	39300-75151	1	KNOB			
10	▪	39300-75340	1	SPRING, COMPRESSION			
11	▪	39300-75350	1	SPACER			
12	▪	22182-75120	1	GUIDE			
13		39304-75210	1	AIR PLATE			
14		11060-04242	3	BOLT ADHESIVE		M4x24	
15		69024-91322	1	LABEL TRADE			

## 8. CARBURETOR



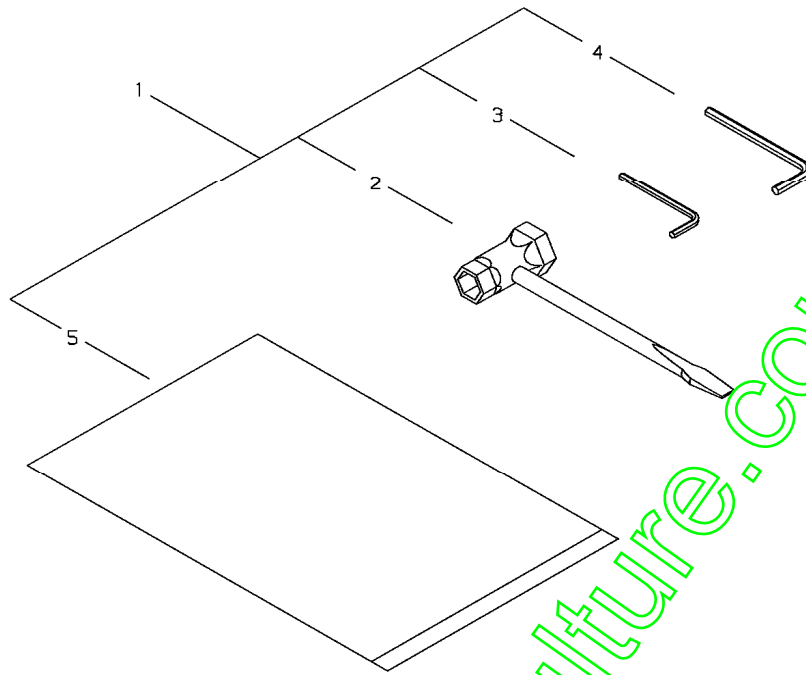
KEY	LV	PART NUMBER	Q'TY	DESCRIPTION	REMARKS	NOTE1	NOTE2
1		69024-81010	1	CARBURETOR ASSY			
2	▪	39010-81320	1	COVER, PUMP			
3	▪	22100-81130	1	SCREW			
4	▪	22128-81140	1	GASKET, FUEL PUMP			
5	▪	22128-81150	1	DIAPHRAGM PUMP			
6	▪	22100-81230	1	LEVER, METERING			
7	▪	22100-81240	1	SCREW			
8	▪	22100-81250	1	PIN			
9	▪	22100-81260	1	DIAPHRAGM ASM			
10	▪	72342-81270	1	SPRING, METER. LEVER			
11	▪	22100-81280	1	COVER DIAPHRAGM			
12	▪	22100-81290	1	GASKET, M. DIAPHRAGM			
13	▪	22197-81340	1	THROTTLE VALVE			
14	▪	22100-81351	4	SCREW			
15	▪	69018-81310	1	SHAFT ASSY			
16	▪	22180-81380	1	THROTTLE LEVER			
17	▪	70030-81380	1	SCREEN			
18	▪	70030-81390	2	E-RING			
19	▪	20803-81150	3	SCREW			
20	▪	72320-81420	1	SPRING			
21	▪	20036-81440	1	VALVE			
22	▪	22156-81710	1	VALVE, CHOKE			
23	▪	22180-81740	1	SHAFT			
24	▪	69024-81320	1	NEEDLE			
25	▪	69024-81330	1	NEEDLE			
26	▪	22156-81410	1	IDLE SCREW			

## 8. CARBURETOR



KEY	LV	PART NUMBER	Q'TY	DESCRIPTION	REMARKS	NOTE1	NOTE2
27	▪	22156-81420	1	SPRING, IDLE ADJUST			
28	▪	22180-81460	1	SPRING			
29	▪	22180-81471	1	LEVER			
30	▪	20036-81185	1	WASHER			
32		22128-81920	1	GASKET KIT			
33		22128-81910	1	DIAPHRAGM KIT			
34		39010-82110	1	AIR CLEANER UPPER			
35		39010-82120	1	AIR CLEANER LOWER			
36		22182-97840	1	ELBOW			
37		22182-97851	1	SCREW			
38		22182-82121	1	CHOKE ROD			
39		22182-82130	1	GROMMET CHOKE			
40		22182-82142	1	THROTTLE ROD			
41		22182-82151	1	GROMMET ROD			

9. TOOL



KEY	LV	PART NUMBER	Q'TY	DESCRIPTION	REMARKS	NOTE1	NOTE2
1		69023-92310	1	TOOL SET			
2	▪	22000-91181	1	PLUG WRENCH			
3	▪	09026-03001	1	HEXA WRENCH 4MM		3mm M4	
4	▪	09026-04001	1	HEXA WRENCH	4MM M5㉿	4mm M5	
5	▪	19639-01100	1	POLY BAG		0.04*175*115	

**Index**

<b>Patrs Number</b>	<b>Key No.</b>	<b>Patrs Number</b>	<b>Key No.</b>	<b>Patrs Number</b>	<b>Key No.</b>
01020-05120	5 - 18	22100-51310	5 - 10	22182-21621	2 - 15
01020-05120	5 - 26	22100-81130	8 - 3	22182-22101	2 - 17
01020-05160	1 - 20	22100-81230	8 - 6	22182-22141	2 - 18
01020-05160	2 - 12	22100-81240	8 - 7	22182-22211	2 - 20
01020-05180	1 - 3	22100-81250	8 - 8	22182-31160	3 - 4
01020-05300	2 - 11	22100-81260	8 - 9	22182-31220	3 - 6
01020-05300	5 - 30	22100-81280	8 - 11	22182-31230	3 - 7
01020-05480	1 - 10	22100-81290	8 - 12	22182-33230	3 - 13
01270-04062	5 - 21	22100-81351	8 - 14	22182-33326	3 - 15
01280-04222	3 - 14	22115-57120	2 - 3	22182-33332	3 - 16
01610-05080	1 - 11	22115-85401	3 - 22	22182-33340	3 - 17
01610-05080	2 - 26	22118-85460	3 - 24	22182-33742	3 - 28
02403-03100	6 - 6	22128-81140	8 - 4	22182-33760	3 - 32
09026-03001	9 - 3	22128-81150	8 - 5	22182-33940	3 - 27
09026-04001	9 - 4	22128-81910	8 - 33	22182-42002	4 - 6
11022-04100	1 - 18	22128-81920	8 - 32	22182-51140	5 - 3
11022-04100	3 - 31	22128-85421	3 - 23	22182-51170	5 - 4
11022-04200	6 - 13	22150-21250	2 - 5	22182-51210	5 - 6
11024-04140	3 - 8	22150-52440	5 - 13	22182-51220	5 - 7
11029-50170	3 - 11	22154-22130	2 - 27	22182-51241	5 - 9
11029-50210	3 - 10	22154-72230	6 - 11	22182-52411	5 - 11
11060-04122	5 - 43	22154-85540	5 - 47	22182-52620	5 - 12
11060-04160	1 - 9	22155-12190	2 - 14	22182-52631	5 - 14
11060-04242	7 - 14	22155-33950	3 - 26	22182-52641	5 - 15
11203-04060	1 - 16	22156-14140	1 - 5	22182-52663	5 - 16
11205-04120	5 - 48	22156-33750	3 - 30	22182-52680	5 - 17
11526-05212	5 - 56	22156-81410	8 - 26	22182-54162	5 - 20
12420-40255	3 - 18	22156-81420	8 - 27	22182-54170	5 - 22
12492-40080	2 - 2	22156-81710	8 - 22	22182-54540	5 - 25
12492-40080	5 - 40	22160-12160	1 - 6	22182-55311	5 - 45
12492-40110	5 - 27	22160-21351	2 - 22	22182-55330	5 - 46
12492-40160	5 - 31	22160-21351	3 - 20	22182-56110	5 - 50
12900-60010	2 - 4	22160-41220	4 - 3	22182-71111	6 - 1
12900-60022	2 - 9	22160-41240	4 - 5	22182-71412	6 - 2
13000-13507	6 - 14	22160-52511	2 - 13	22182-71421	6 - 3
14009-96012	6 - 9	22160-72220	6 - 10	22182-71430	6 - 5
15250-60500	3 - 2	22169-54660	5 - 28	22182-71440	6 - 4
19401-00093	2 - 25	22169-54670	5 - 29	22182-71601	6 - 8
19401-00094	3 - 37	22169-55430	5 - 49	22182-72260	6 - 12
19402-00083	3 - 35	22169-71460	6 - 7	22182-75120	7 - 12
19404-00037	3 - 36	22173-54561	5 - 38	22182-82121	8 - 38
19600-74100	5 - 53	22180-81380	8 - 16	22182-82130	8 - 39
19639-01100	9 - 5	22180-81460	8 - 28	22182-82142	8 - 40
20020-85540	3 - 25	22180-81471	8 - 29	22182-82151	8 - 41
20036-81185	8 - 30	22180-81740	8 - 23	22182-97840	8 - 36
20036-81440	8 - 21	22182-12120	1 - 2	22182-97851	8 - 37
20803-81150	8 - 19	22182-15120	1 - 17	22197-33802	3 - 19
22000-91181	9 - 2	22182-21530	2 - 8	22197-51200	5 - 5
22100-41230	4 - 4	22182-21551	2 - 10	22197-51230	5 - 8



**Index**

<b>Patrs Number</b>	<b>Key No.</b>	<b>Patrs Number</b>	<b>Key No.</b>	<b>Patrs Number</b>	<b>Key No.</b>
22197-54521	5 - 24	69024-21011	2 - 1		
22197-54611	5 - 42	69024-21310	2 - 6		
22197-55110	5 - 51	69024-81010	8 - 1		
22197-55201	5 - 44	69024-81320	8 - 24		
22197-81340	8 - 13	69024-81330	8 - 25		
39010-11031	1 - 4	69024-82130	3 - 5		
39010-11041	1 - 7	69024-91322	7 - 15		
39010-11050	1 - 8	69024-91332	5 - 54		
39010-21310	2 - 23	69024-98370	5 - 55		
39010-32030	3 - 12	70030-81380	8 - 17		
39010-41111	4 - 1	70030-81390	8 - 18		
39010-41120	4 - 2	72316-54220	5 - 34		
39010-81320	8 - 2	72316-54230	5 - 35		
39010-82110	8 - 34	72316-54240	5 - 36		
39010-82120	8 - 35	72316-54310	5 - 37		
39054-21320	2 - 19	72316-54570	5 - 39		
39300-75121	7 - 3	72320-31403	2 - 21		
39300-75130	7 - 6	72320-81420	8 - 20		
39300-75140	7 - 8	72342-81270	8 - 10		
39300-75151	7 - 9	72357-54212	5 - 38		
39300-75311	7 - 4	72357-54511	5 - 23		
39300-75330	7 - 7	72357-54580	5 - 41		
39300-75340	7 - 10	72358-51310	5 - 1		
39300-75350	7 - 11	72365-15210	1 - 15		
39304-12110	1 - 1				
39304-15211	1 - 19				
39304-21022	2 - 7				
39304-21130	2 - 16				
39304-21321	2 - 24				
39304-31110	3 - 1				
39304-31140	3 - 3				
39304-31170	1 - 12				
39304-31180	1 - 13				
39304-32020	3 - 34				
39304-32110	3 - 9				
39304-32310	3 - 21				
39304-33710	3 - 33				
39304-33750	3 - 29				
39304-53010	5 - 52				
39304-53110	5 - 19				
39304-54310	5 - 32				
39304-75011	7 - 1				
39304-75110	7 - 2				
39304-75210	7 - 13				
39305-51310	5 - 2				
39309-75320	7 - 5				
69018-81310	8 - 15				
69023-92310	9 - 1				
69024-15110	1 - 14				

www.emic-molecule.com

# YAMABIKO CORPORATION

7-2 SUEHIROCHO 1-CHOME, OHME, TOKYO 198-8760, JAPAN  
PHONE: 81-428-32-6118. FAX: 81-428-32-6145.

**shindaiwa<sup>®</sup>**

[www.emc-motoculture.com](http://www.emc-motoculture.com)

EC1  
No.