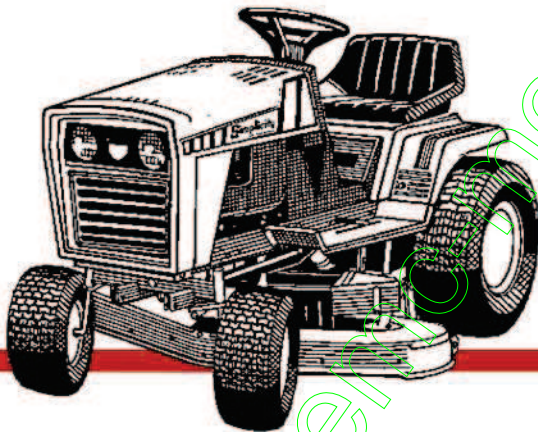




PIECES DETACHEES

Autoportées et frontales



5116
5216

5116 : 1690684

1690629

5216 : 1690934

1690915

1690849

1690879

Plateaux de coupe : 1690627

1690710

1690839

1690412

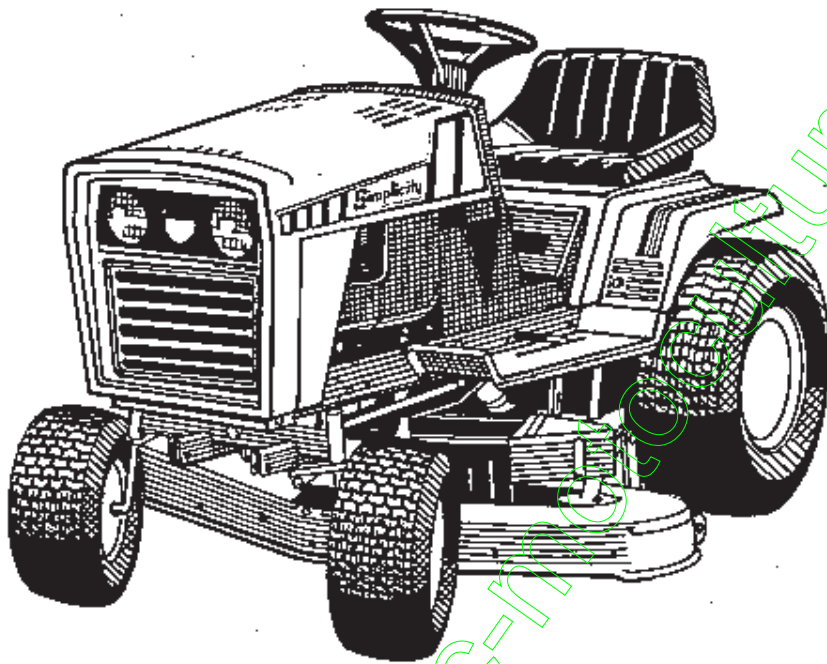
1690708



Yvan Béal - ZI. av. de l'Agriculture - B.P. 16
ZI. du Brézet - 63014 Clermont-Ferrand Cedex 2
Tél: 04 73 91 93 55 - Télécopie: 04 73 90 23 11
www.yvanbeal.fr - E-mail: info@yvanbeal.fr
R.C.S. N 304 971 886 - S.A.S. au capital de 812 000 €

03-000584-051017

Parts Manual Model 5116 5216



16 H.P. 5-SPEED TRACTOR
MFG. NO. 1690934 (5216)
16 H.P. 5-SPEED TRACTOR
MFG. NO. 1690915 (5216)
16 H.P. 5-SPEED TRACTOR
MFG. NO. 1690849 (5216)

16 H.P. TRACTOR
MFG. NO. 1690879 (5216)

16 H.P. TRACTOR
MFG. NO. 1690684 (5116)

16 H.P. TRACTOR
MFG. NO. 1690629 (5116)

36 INCH MOWERS
MFG. NO. 1690627

MFG. NO. 1690710

MFG. NO. 1690839
42 INCH MOWERS
MFG. NO. 1690412

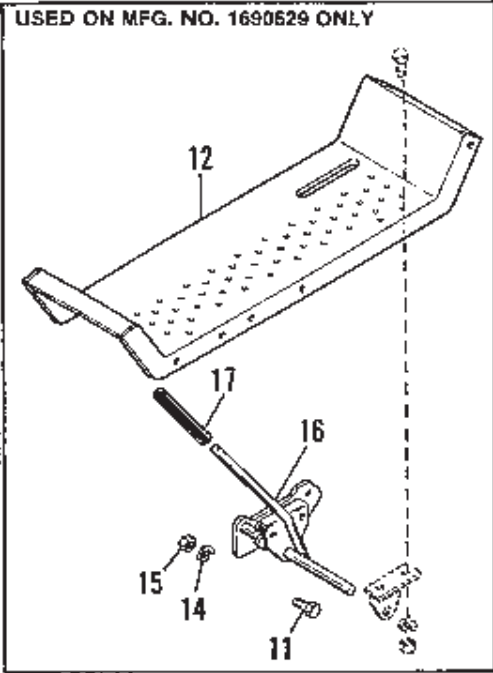
MFG. NO. 1690708

TP-1067-02
PRINTED IN U.S.A.
8412

Simplicity®

Table of Contents

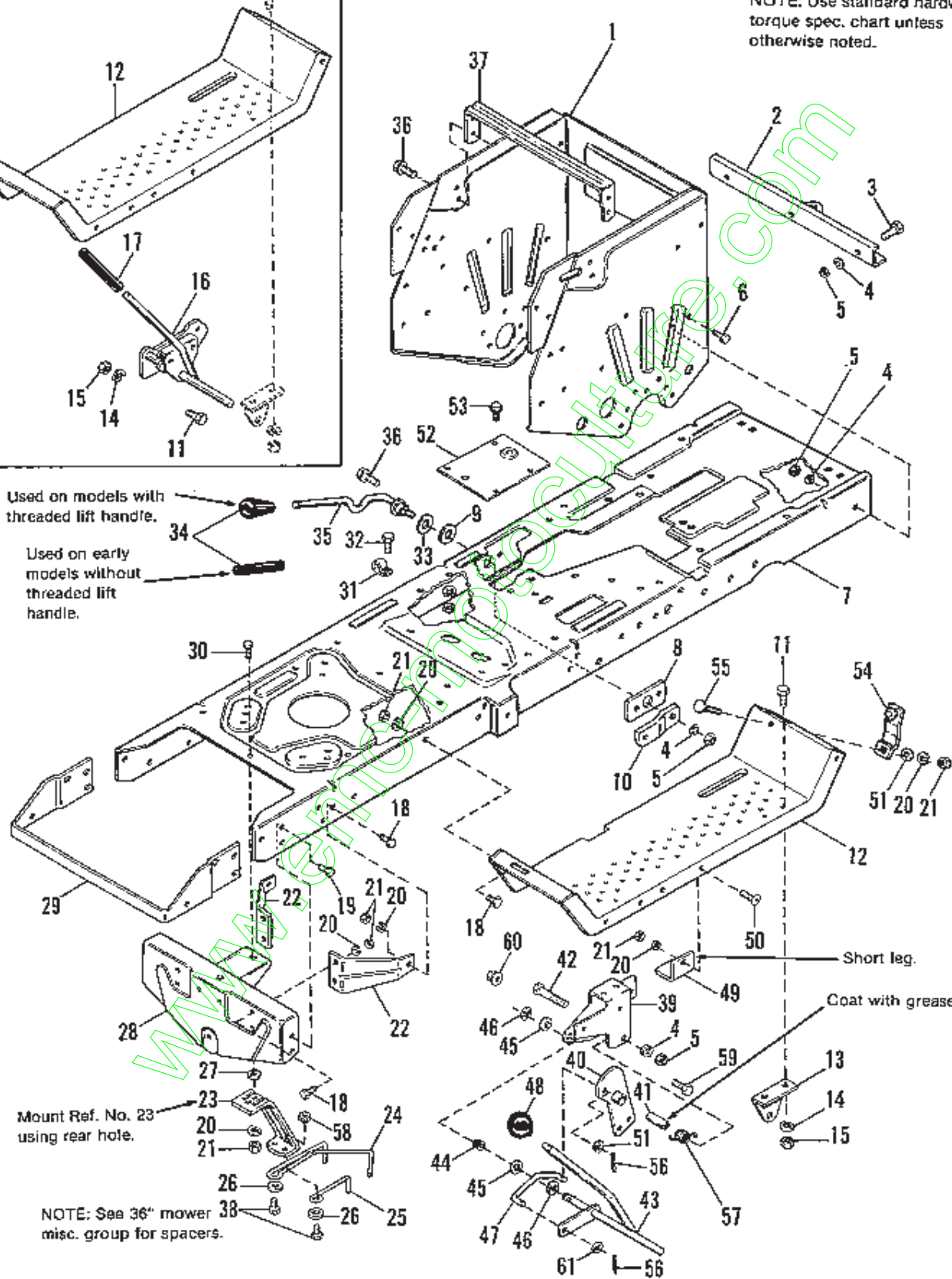
FRAME GROUP	2
FRONT AXLE GROUP	6
STEERING & FRONT WHEEL GROUP (Mfg. No. 1690629 & 1690684)	8
STEERING & FRONT WHEEL GROUP (Mfg. No. 1690849 & 1690879)	10
STEERING & FRONT WHEEL GROUP (Mfg. No. 1690915 & 1690934)	12
ENGINE GROUP	14
REAR TIRES & DRIVE GROUP	16
BRAKE & CLUTCH GROUP	18
ELECTRICAL GROUP (Mfg. No. 1690629 (All) & 1690684 Before S/N 4856)	20
ELECTRICAL GROUP (Mfg. No. 1690684 (After S/N 4855), 1690849, 1690879, 1690915, 1690934)	22
HOOD, GRILLE & DASH GROUP	24
SEAT & DECK GROUP (Mfg. No. 1690629 & 1690684)	26
SEAT & DECK GROUP (Mfg. No. 1690849, 1690879, 1690915, 1690934)	28
36" MOWER, DECK & ARBOR GROUP (Mfg. No. 1690627 & 1690710)	30
36" MOWER, DECK & ARBOR GROUP (Mfg. No. 1690839)	32
36" CLUTCH & ROLLER SUPPORT GROUP	34
36" ROLLERS & MISC. GROUP	38
42" HOUSING GROUP	40
42" ARBOR GROUP	42
42" CLUTCH & SUPPORT GROUP (1690412)	44
42" CLUTCH & SUPPORT GROUP (1690708 Only)	46
42" HEIGHT ADJUSTING & ROLLER GROUP (Mfg. No. 1690412)	48
42" HEIGHT ADJUSTING & ROLLER GROUP (Mfg. No. 1690708)	50
DECAL GROUP	52
PEERLESS TRANSAXLE MODEL 810-A	54
PEERLESS TRANSAXLE MODEL 815	58
PEERLESS TRANSAXLE MODEL 801-019	62
PEERLESS TRANSAXLE MODEL 801-019A	66
STANDARD HARDWARE TORQUE SPECIFICATIONS	Inside Back Cover



NOTE: Use standard hardware torque spec. chart unless otherwise noted.

Used on models with threaded lift handle.

Used on early models without threaded lift handle.



Mount Ref. No. 23 using rear hole.

NOTE: See 36" mower misc. group for spacers.

Short leg.

Coat with grease.

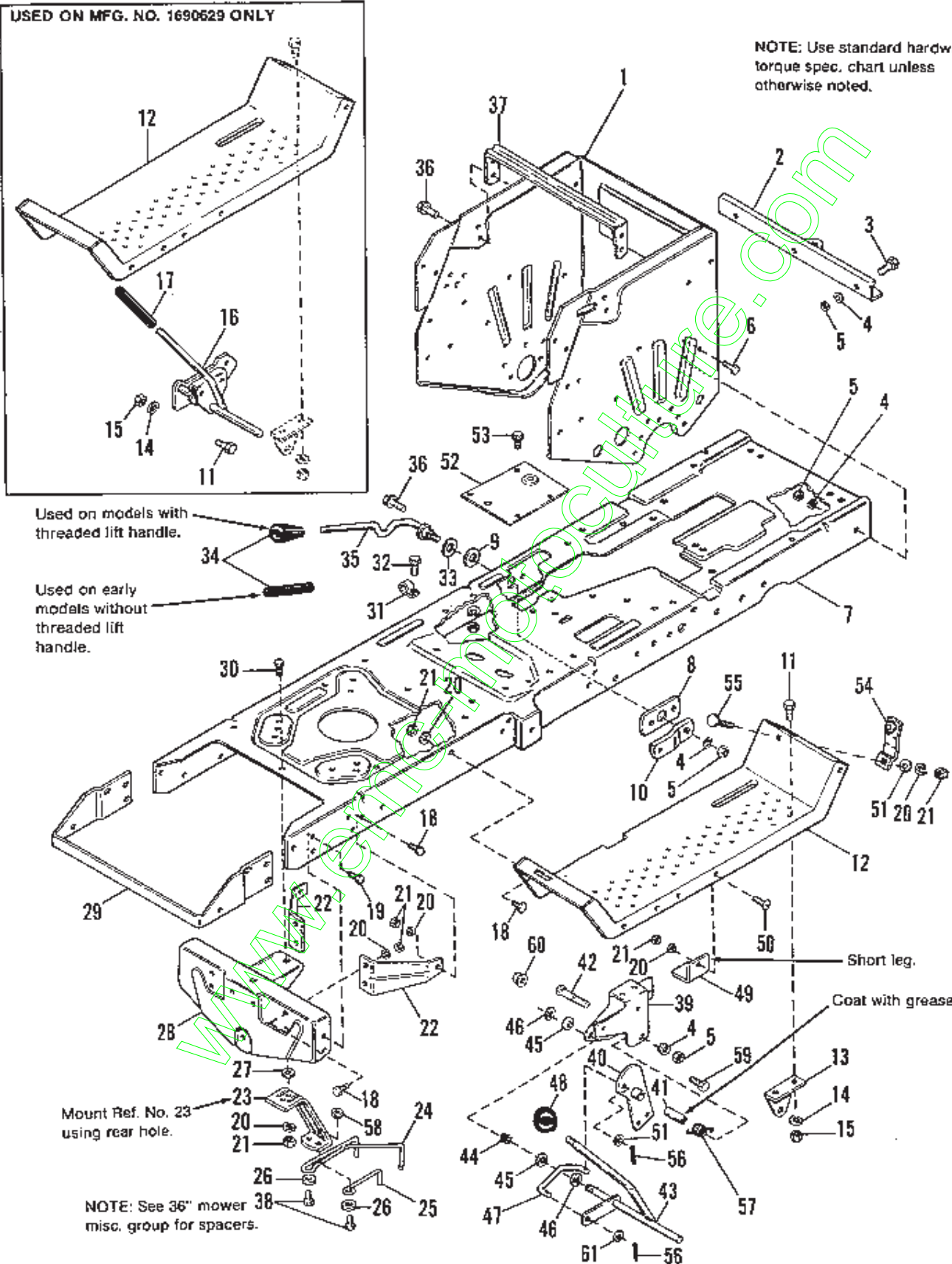
Ref. No.	Part No.	Qty.	Description
1	1666650	1	SUPPORT, Axle, Wrapper (1690629 only)
	*1671749	1	SUPPORT, Axle, Wrapper
2	1655591	1	BAR, Draw
3	921210	3	CAPSCREW, Hex Hd., 3/8-16 x 1
4	916965	11	LOCKWASHER, 3/8 (Qty. 10 used on 1690629)
5	916950	11	NUT, Hex, Full, 3/8-16 (Qty. 10 used on 1690629)
6	921965	6	CAPSCREW, Hex Hd., 3/8-16 x 3/4
7	1669315	1	FRAME (1690629 Only)
	*1674420	1	FRAME
8	1656754	1	BAR, Support
9	156116	1	WASHER, Nylon
10	1656755	1	ARM, Support
11	921959	2	CAPSCREW, Hex Hd., 1/4-20 x 5/8 (Qty. 4 on 1690629)
12	1674141	2	FOOTREST
13	1654783	1	SUPPORT, Clutch
14	916964	2	LOCKWASHER, 1/4 (Qty. 4 on 1690629)
15	916622	2	NUT, Hex, Full, 1/4-20 (Qty. 4 on 1690629)
16	1667885	1	LEVER ASSY, Clutch (1690629 only)
17	176934	1	GRIP, Handle (1690629 Only)
18	921332	20	CAPSCREW, Hex Hd., 5/16-18 x 3/4
19	1664847	4	SCREW, Hex, Taptite, 5/16-18 x 3/4
20	917356	27	LOCKWASHER, 5/16 (Qty. 22 used on 1690629)
21	917372	27	NUT, Hex, Full, 5/16-18 (Qty. 22 used on 1690629)
22	1655076	2	BRACE, Axle Support
23	1665803	1	SUPPORT
24	1672118	1	STOP, Belt
25	1665812	1	STOP, Belt
26	917377	2	WASHER, Plain, 1/4
27	919381	1	WASHER, Plain, 5/16
28	1663855	1	SUPPORT, Axle
29	1666954	1	SUPPORT, Hood
30	921333	1	CAPSCREW, Hex Hd., 5/16-18 x 1-1/4

*Used on Mfg. No. 1690684, 1690849, 1690879, 1690915 & 1690934 only.

NOTE: Ref. Nos. 31 - 61 found on the following page.

USED ON MFG. NO. 1690629 ONLY

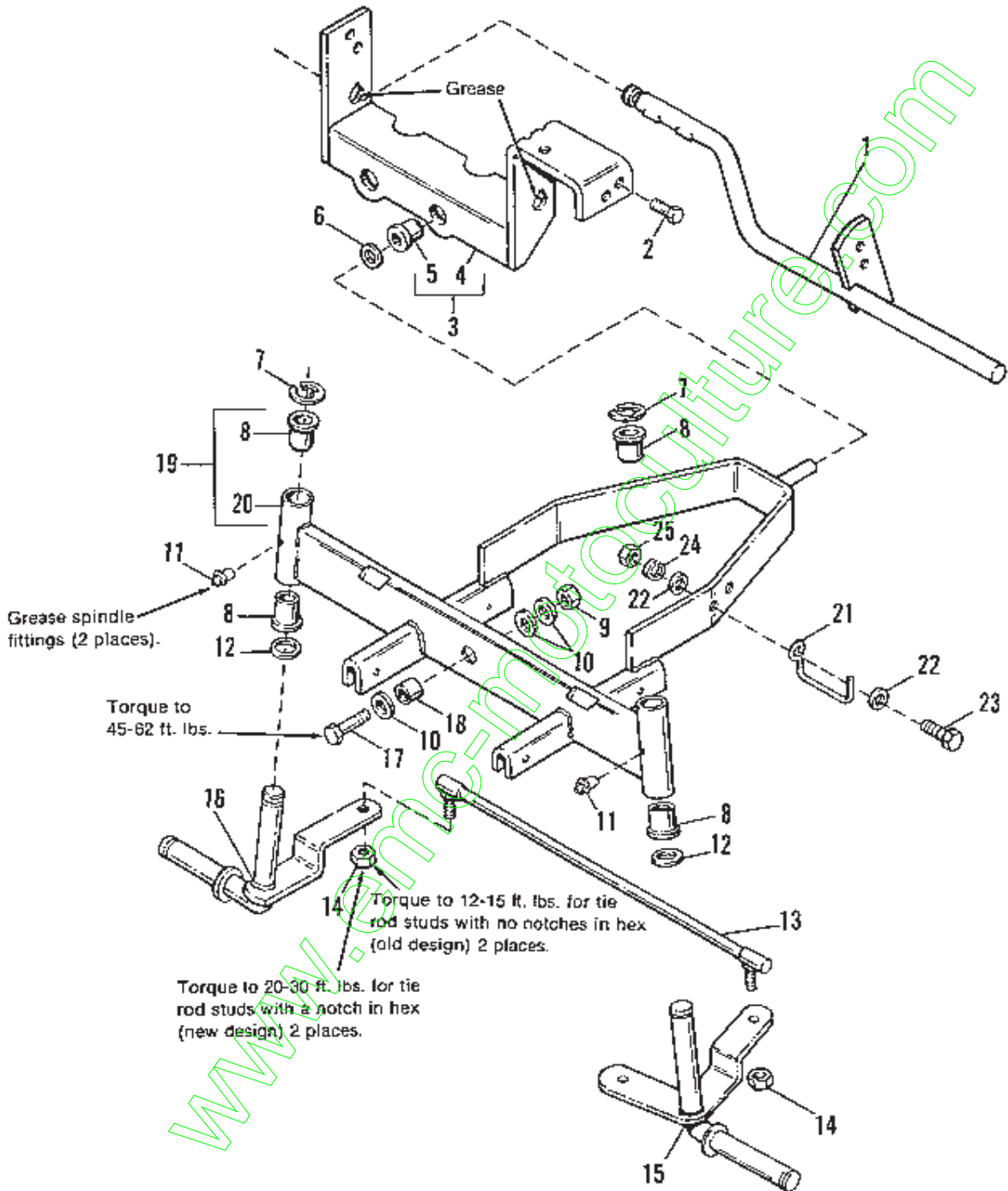
NOTE: Use standard hardware torque spec. chart unless otherwise noted.



Ref. No.	Part No.	Qty.	Description
31	122186	1	CLAMP
32	921977	1	CAPSCREW, Hex Hd., 5/16-18 x 1-1/4
33	101025	1	WASHER
34	176934	1	GRIP (used on models w/o threaded lift handle - 1690629)
	172038	1	KNOB (used on models with threaded lift handle)
35	1673204	1	HANDLE, Lift
36	924856	6	SCREW, Hex, Wash. Hd., Taptite, 5/16-18 x 1/2
37	1654707	1	BRACE, Seat
38	921221	2	CAPSCREW, Taptite, 5/16-18 x 1-1/2
	923325	2	CAPSCREW, 5/16-18 x 7/8 (1690629 only)
39	*1669113	1	BRACKET, P.T.O.
40	*1669108	1	ARM ASSY., P.T.O. Rod
41	*1669105	1	SPACER
42	*922130	1	CAPSCREW, Hex Hd., 3/8-16 x 2-1/4
43	*1669112	1	HANDLE ASSY., P.T.O.
44	*1669197	1	BUSHING
45	*153072	2	WASHER on P.T.O. Link
46	*158399	1	RING, Snap (Qty. 2 on 1690849, 1690879, 1690915, 1690934)
47	*1669104	1	LINK, P.T.O.
48	*8021050	1	KNOB
49	*1669168	2	UP-STOP, Mower
50	*918249	2	SCREW, Truss Hd., Slotted, 5/16-18 x 3/4
51	*917642	2	WASHER
52	*1668970	1	PLATE, Adapter
53	*925003	4	SCREW, Taptite, 1/4-20 x 1/2
54	*1672075	2	LATCH ASSY.
55	*920562	2	BOLT, Carriage, 5/16-18 x 3/4
56	*918447	2	PIN, Cotter, 3/32 x 3/4
57	*1669339	1	SPRING
58	*923362	2	NUT, Lock, 5/16-18
59	*936517	2	CAPSCREW, Hex, Wash. Hd., 1/4-20 x 5/8
60	*930641	2	NUT, Flange, Whizlock, 1/4-20
61	*924940	2	WASHER, Plain

*Used on Mfg. Nos. 1690684, 1690849, 1690879, 1690915 & 1690934 only.

NOTE: Ref. Nos. 1 - 30 found on the pages 2 & 3.



NOTE: Use standard hardware torque spec. chart unless otherwise noted.

Front Axle Group

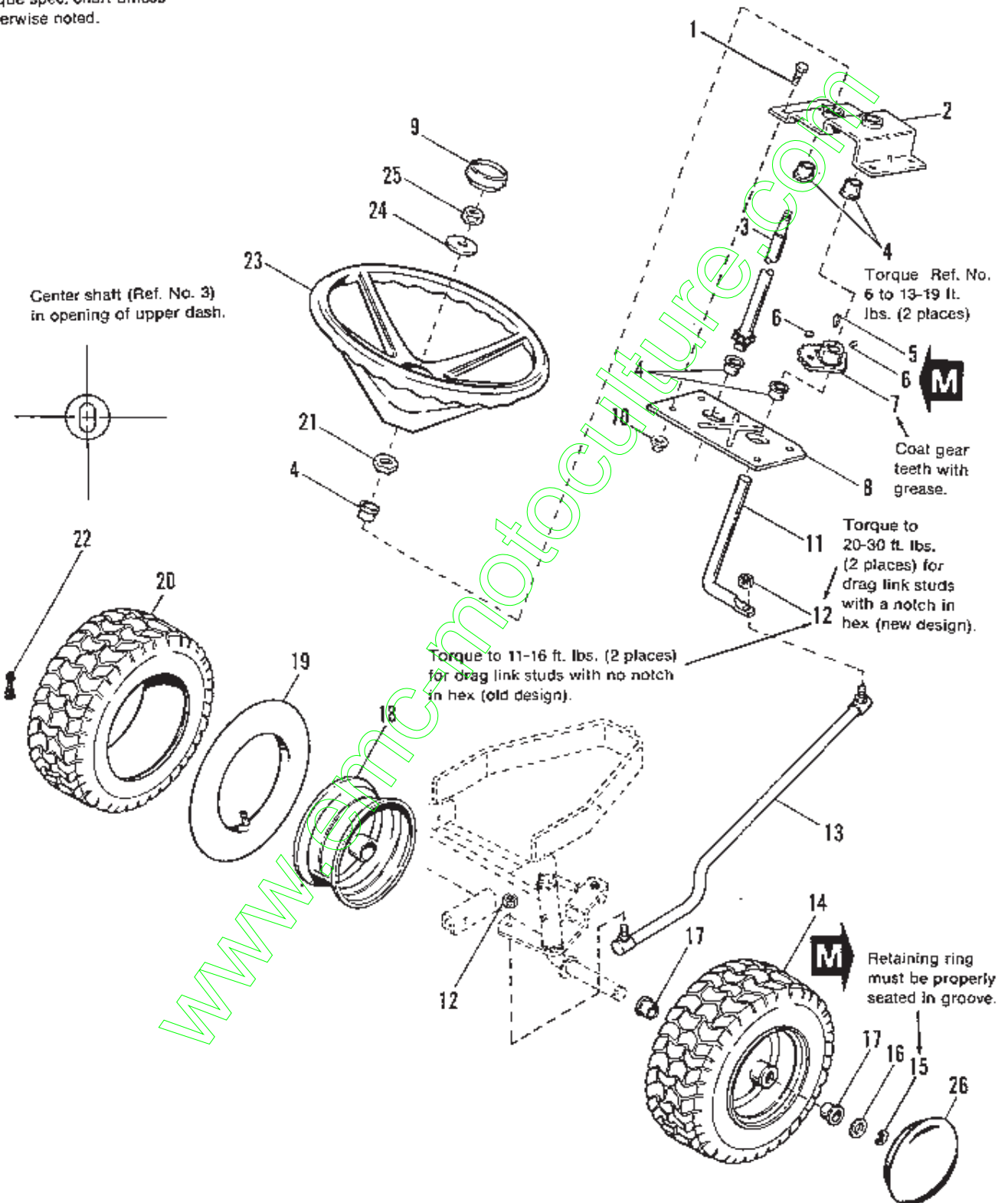
Simplicity

Ref. No.	Part No.	Qty.	Description
1	1665864	1	LEVER ASSY., Brake
2	1664847	5	SCREW, Hex, Taptite, 5/16-18 x 3/4
3	1665601	1	SUPPORT ASSY., Axle, Rear w/Bushing
4		1	SUPPORT ASSY., Axle, Rear (Not Serviced Separately)
5	1663114	1	BUSHING
6	919387	1	WASHER, 3/8
7	927794	2	E-RING
*8	176440	4	BUSHING
9	930648	1	LOCKNUT, Hex, 1/2-13
10	926192	3	WASHER, 9/16
11	914687	2	FITTING, Grease (1690629 only)
	**921133	2	FITTING, Grease
12	108181	2	WASHER
13	1667247	1	ROD ASSY., Tie
14	1668927	2	LOCKNUT, Hex, 3/8-24, Gr. 8
15	1668071	1	SPINDLE ASSY., L.H. (1690629 & 1690684 only)
	1673637	1	SPINDLE ASSY., L.H. (1690849 & 1690879 only)
	1665080	1	SPINDLE ASSY., L.H. (1690915 & 1690934 only)
16	1668072	1	SPINDLE ASSY., R.H. (1690629 & 1690684 only)
	1665079	1	SPINDLE ASSY., R.H. (1690849, 1690879, 1690915 & 1690934 only)
17	921525	1	CAPSCREW, Hex Hd., 1/2-13 x 1-1/2
18	1655034	1	SPACER (1690629 only)
	**1671260	1	SPACER
*19	1685227	1	AXLE ASSY., Front
*20		1	AXLE SUB ASSY., (Not Serviced Separately)
21	**1668147	1	GUIDE, Drag Link
22	**917642	2	WASHER, 5/16 (Qty. 1 on 1690915 & 1690934)
23	**921333	1	CAPSCREW, Hex Hd., 5/16-18 x 1
24	**917356	1	LOCKWASHER, 5/16
25	**917372		NUT, Hex, 5/16-18

*Ref. No. 19 includes Ref. Nos. 8 & 20.

**Used on Mfg. No. 1690684, 1690849, 1690879, 1690915 & 1690934 only.

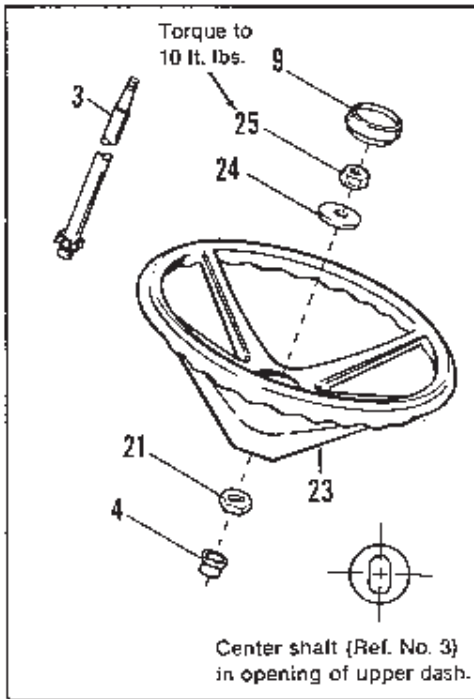
NOTE: Use standard hardware torque spec. chart unless otherwise noted.



Ref. No.	Part No.	Qty.	Description
1	921332	4	CAPSCREW, Hex Hd., 5/16-18 x 3/4
2	1667513	1	PLATE, Steering
3	1657003	1	SHAFT ASSY., Steering
4	176440	5	BUSHING
5	1667622	1	KEY
6	928721	2	SETSCREW, 5/16-18 x 1/2
7	1685168	1	GEAR, Steering
8	1652743	1	PLATE, Base, Steering
9	1657017	1	CAP, Steering Wheel
10	935048	4	LOCKNUT, Hex, Flange, 5/16-18
11	1673635	1	ROD, Steering
12	1668927	2	NUT, Special, 3/8-24
13	1667250	1	LINK, Drag
14	1668089	2	WHEEL & TIRE ASSY.
15	927794	2	E-RING
16	154071	2	WASHER
17	156316	4	BEARING
18	1853615	2	WHEEL ASSY.
19	1664090	2	TUBE, 4-10/3 50-6 (For Service Only)
20	1668090	2	TIRE, 13 x 6.50-6 (Carlisle)
21	1667574	1	WASHER, Hex
22	172353	2	VALVE STEM & CAP
23	1685187	1	WHEEL, Steering (Incl. Ref. No. 21)
24	177649	1	WASHER, Compression
25	923362	1	LOCKNUT, Hex, 5/16-18
26	156210	2	HUB CAP, Front

NOTE: Please check Mfg. Nos.

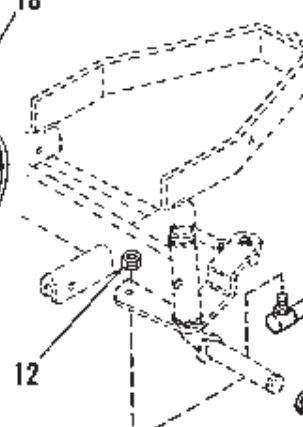
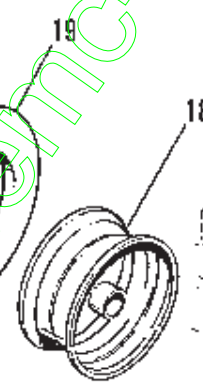
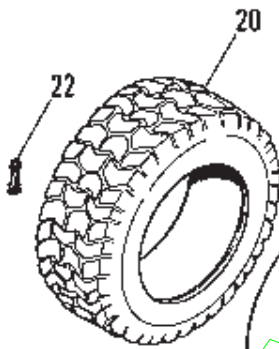
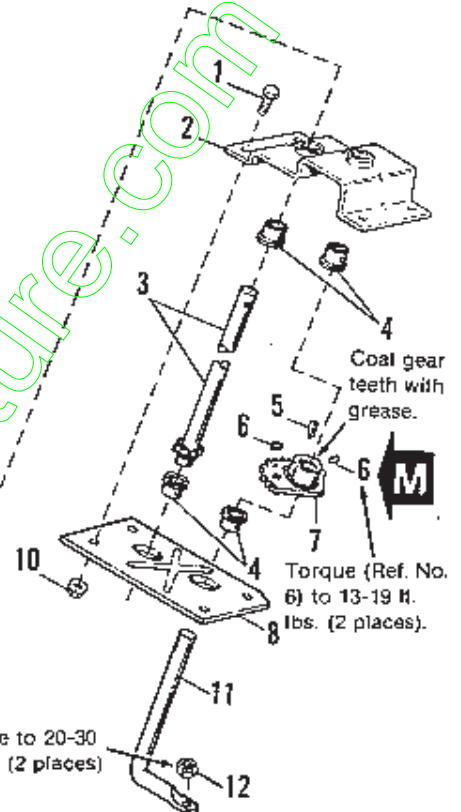
(See pages 10-11 for Mfg. Nos. 1690849 & 1690879 and see pages 12-13 for Mfg. Nos. 1690915 & 1690934)



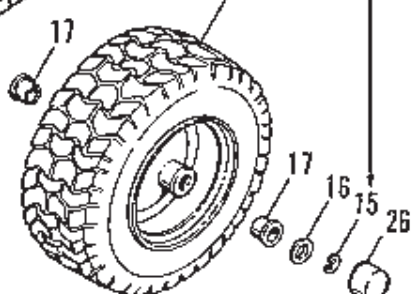
Torque to 10 ft. lbs.



Torque to 20-30 ft. lbs. (2 places)



M Retaining ring must be properly seated in groove.



NOTE: Use standard hardware torque spec. chart unless otherwise noted.

Ref. No.	Part No.	Qty.	Description
1	921332	4	CAPSCREW, Hex Hd., 5/16-18 x 3/4
2	1667513	1	PLATE, Steering
3	*1657003	1	SHAFT ASSY., Steering
	**1673009	1	SHAFT ASSY., STEERING
4	176440	5	BUSHING
5	1667622	1	KEY
6	928721	2	SETSCREW, 5/16-18 x 1/2
7	1685168	1	GEAR, Steering
8	1652743	1	PLATE, Base, Steering
9	1657017	1	CAP, Steering Wheel
10	935048	4	LOCKNUT, Hex, Flange, 5/16-18
11	1673635	1	ROD, Steering
12	1668927	2	NUT, Special, 3/8-24
13	1667250	1	LINK, Drag
14	1653617	2	WHEEL & TIRE ASSY.
15	927794	2	E-RING
16	1673352	2	WASHER
17	156316	4	BEARING
18	1653615	2	WHEEL ASSY.
19	1664090	2	TUBE, 4 10/3.50-6 (For Service Only)
20	1653618	2	TIRE, (Carlisle) 15 x 6.00-6
21	*1667574	1	WASHER, Hex
22	172353	2	VALVE STEM & CAP
23	*1685187	1	WHEEL, Steering (Incl. Ref. No. 21)
	**1670989	1	WHEEL, Steering, Bolt Mounted
24	*177649	1	WASHER, Compression
25	923362	1	LOCKNUT, Hex, 5/16-18
26	1673333	2	HUB CAP, Threaded
27	**919326	2	WASHER, Plain
28	**925690	1	BOLT, 5/16-18 x 3-1/2

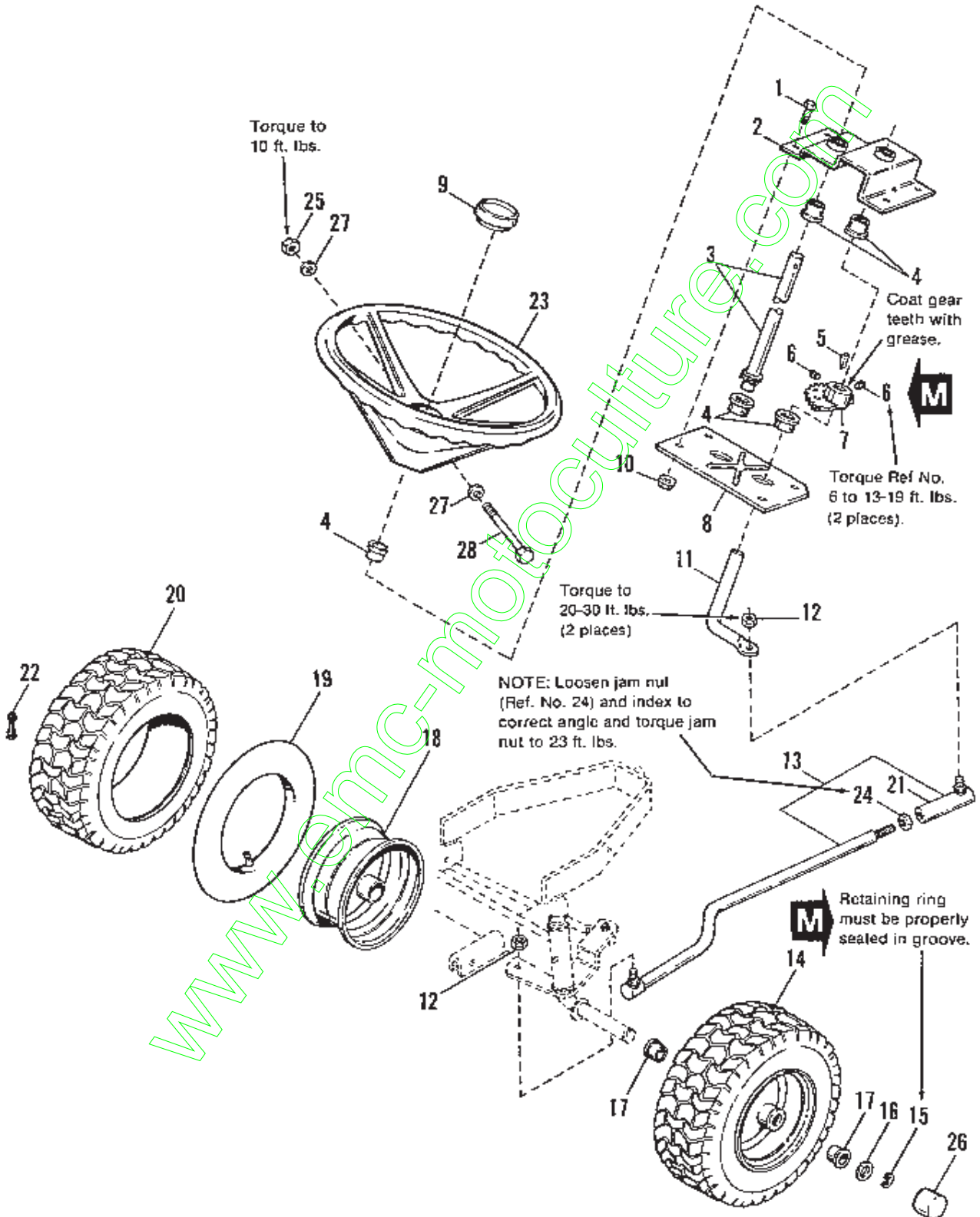
*Used on Mfg. No. 1690849 & 1690879 before serial no. 1113

**Used on Mfg. No. 1690849 & 1690879 after serial no. 1112

NOTE: Please check Mfg. Nos.

(See pages 8-9 for Mfg. Nos. 1690629 & 1690684

and see pages 12-13 for Mfg. Nos. 1690915 & 1690934)



NOTE: Use standard hardware torque spec. chart unless otherwise noted.

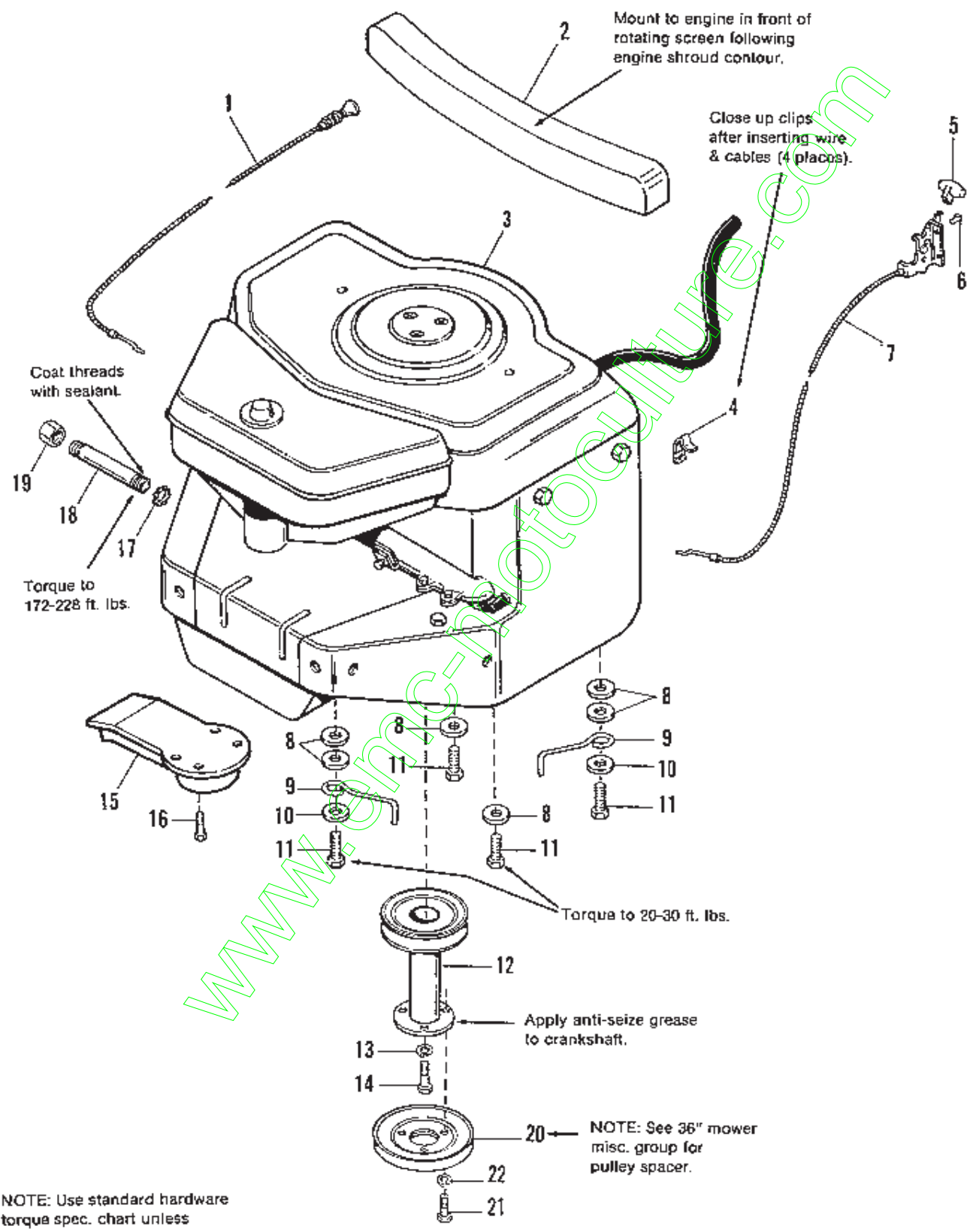
Steering & Front Wheel Group

Ref. No.	Part No.	Qty.	Description
1	921332	4	CAPSCREW, Hex Hd., 5/16-18 x 3/4
2	1667513	1	PLATE, Steering
3	1674140	1	SHAFT ASSY., Steering
4	176440	5	BUSHING
5	1667622	1	KEY
6	928721	2	SETSCREW, 5/16-18 x 1/2
7	1675388	1	GEAR, Steering
8	1652743	1	PLATE, Base, Steering
9	1657017	1	CAP, Steering Wheel
10	935048	4	LOCKNUT, Hex, Flange, 5/16-18
11	1674076	1	ROD, Steering
12	1668927	2	NUT, Special, 3/8-24
13	1674388	1	LINK ASSY., Drag (incl. Ref. No. 21 & 24)
14	1653617	2	WHEEL & TIRE ASSY.
15	927794	2	E-RING
16	1673352	2	WASHER
17	156316	4	BEARING
18	1653615	2	WHEEL ASSY., 15 x 6.00-6
19	1664090	2	TUBE, 4 10/32-6 (For Service Only)
20	1653618	2	TIRE, (Carlisle)
21	1669567	1	BALL JOINT ASSY.
22	172353	2	VALVE STEM & CAP
23	1670989	1	WHEEL, Steering, Bolt Mounted
24	918403	1	NUT, Jam 3/8-24
25	923362	1	LOCKNUT, Hex, 5/16-18
26	1673333	2	HUB CAP, Threaded
27	919326	2	WASHER, Plain
28	925690	1	BOLT, 5/16-18 x 3-1/2

NOTE: Please check Mfg. Nos.

(See pages 8-9 for Mfg. No. 1690629 & 1690684,

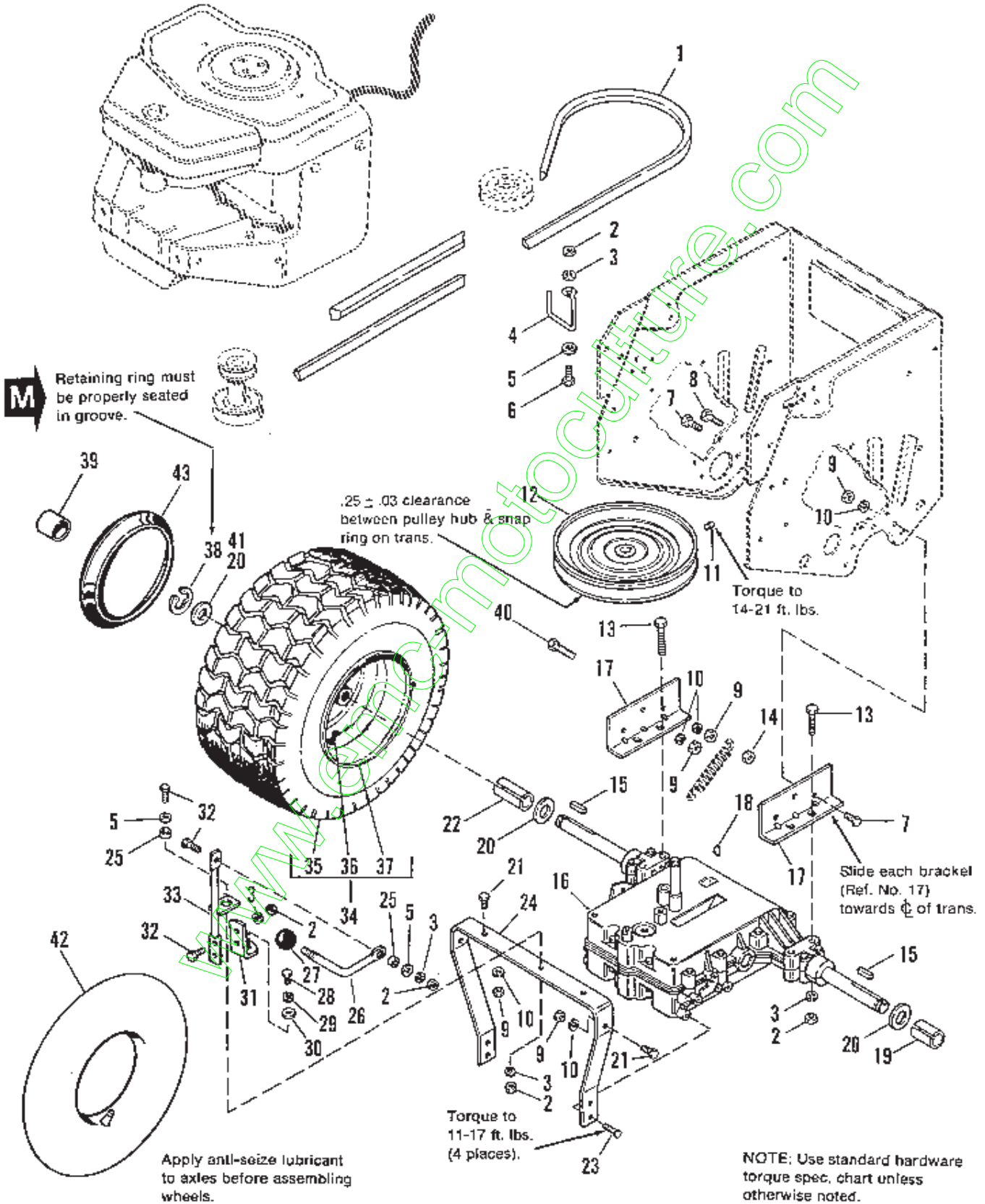
and see pages 10-11 for Mfg. No. 1690849 & 1690879.



NOTE: Use standard hardware torque spec. chart unless otherwise noted.

Ref. No.	Part No.	Qty.	Description
1	1667748	1	CONTROL, Choke
2	1665752	1	BAFFLE, Engine, Rear
3		1	ENGINE, 16 H.P.
4	1666835	4	CLIP, Wire
5	1656099	1	KNOB, Throttle
6	924939	2	RIVET, Pop, 1/4 x 7/16
7	1668047	1	CONTROL ASSY.
8	924356	6	WASHER, Plain
9	121073	2	STOP, Belt
10	917378	2	WASHER, Plain, 3/8
11	930598	4	SCREW, Tapite, 3/8-16 x 1-1/2
12	1669749	1	PULLEY ASSY., Engine
13	918199	1	LOCKWASHER, 7/16
14	928038	1	CAPSCREW, Hex, 7/16-20 x 1-1/4
15	1666787	1	EXTENSION ASSY., Muffler
16	934940	4	SCREW, Hex Thd., Cutting, #8-32 x 3/8
17	932849	1	LOCKNUT, Conduit, 3/8 (BC-38)
18	1670680	1	PIPE, Oil Drain
19	1667346	1	PIPE, Cap. Hex
20	1669752	1	PULLEY
21	921677	3	CAPSCREW, Hex, 5/16-18 x 1-1/2
22	917356	3	LOCKWASHER, 5/16

*Use *Simplicity* SAE 5W30 Cold Weather Engine Oil for operation under 32° F.
Part Number 1685518, case of 12 qts.

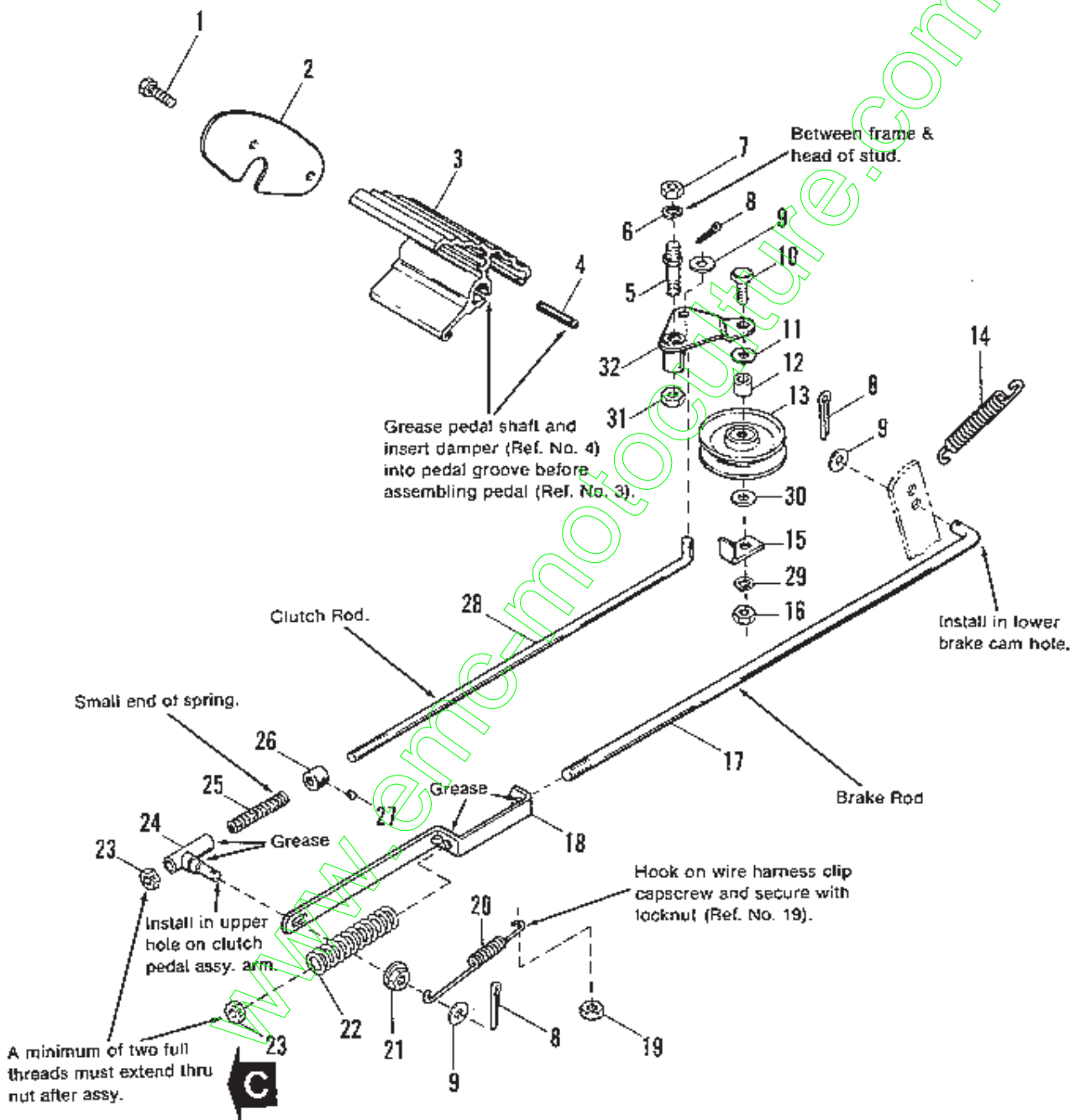


Rear Tires & Drive Group

Simplicity

Ref. No.	Part No.	Qty.	Description
1	1655069	1	V-BELT, Transmission Drive
2	917372	9	NUT, Hex, Full, 5/16-18
3	917356	9	LOCKWASHER, 5/16
4	1666709	1	STOP, Belt
5	917642	3	WASHER, Plain, 5/16
6	921333	1	CAPSCREW, Hex Hd., 5/16-18 x 1
7	921965	5	CAPSCREW, Hex Hd., 3/8-16 x 3/4
8	920415	1	CAPSCREW, Hex Hd., 3/8-16 x 1-1/4
9	916950	10	NUT, Hex, Full, 3/8-16
10	916965	10	LOCKWASHER, 3/8
11	930540	1	SETSCREW, 5/16-18 x 5/8
12	1666693	1	PULLEY ASSY., Transmission
13	921719	4	CAPSCREW, Hex Hd., 5/16-18 x 2-1/2
14	930651	1	LOCKNUT, Hex, 3/8-16
15	8221042	2	KEY, 3/16 x 3/16 x 1-1/2
16		1	TRANSAXLE, 5 Speed
17	1666632	2	SUPPORT, Transmission, Rear
18	905123	1	KEY, Woodruff, #9
19	1667191	1	SPACER
20	108181	4	WASHER (Qty. 2 on 1690849, 1690879, 1690915 & 1690934 only)
21	921966	4	CAPSCREW, Hex Hd., 3/8-16 x 7/8
22	1667192	1	SPACER
23	930601	4	SCREW, Hex, Taptite, 5/16-18 x 5/8
24	1666631	1	SUPPORT, Transmission, Front
25	1666697	2	SPACER
26	1666641	1	ROD, Shift
27	8021050	1	KNOB, Shift
28	922234	1	CAPSCREW, Hex Hd., 1/4-28 x 5/8
29	916964	1	LOCKWASHER, 1/4
30	916955	1	WASHER, Plain, 3/16
31	1666638	1	LINK, Shift, Lower
32	923325	4	CAPSCREW, Hex Hd., 5/16-18 x 7/8
33	1666639	1	SHIFT LINK ASSY., Upper
34	1657905	2	WHEEL & TIRE ASSY. (1690629, 1690684 only)
	1673247	2	WHEEL & TIRE ASSY. (1690849 & 1690915 only)
	1673246	2	WHEEL & TIRE ASSY. (1690879 & 1690934 only)
35	156312	2	TIRE, 18 x 9.50-8 (Carlisle) (1690629, 1690684 only)
	173456	2	TIRE, 20 x 8-10 (1690849 & 1690915 only)
	1665326	2	TIRE, 20 x 10x10 (1690879 & 1690934 only)
36	172953	2	VALVE
37	1655911	2	WHEEL (1690629, 1690684 only)
	1673248	2	WHEEL (1690849, 1690879, 1690915 & 1690934 only)
38	927794	2	E-RING
39	1673333	2	HUB CAP, Threaded (1690849, 1690879, 1690915 & 1690934)
40	920415	1	CAPSCREW, Hex, 3/8-16 x 1-1/4
41	108139	2	WASHER, (1690849, 1690879, 1690915)
42	173477	2	TUBE, 20 x 8-10 (1690849, 1690879, 1690915 & 1690934)
	156380	2	TUBE, 18 x 9.5-8 (1690629, 1690684)
43	156211	2	HUB CAP, Rear (1690629, 1690684, only)

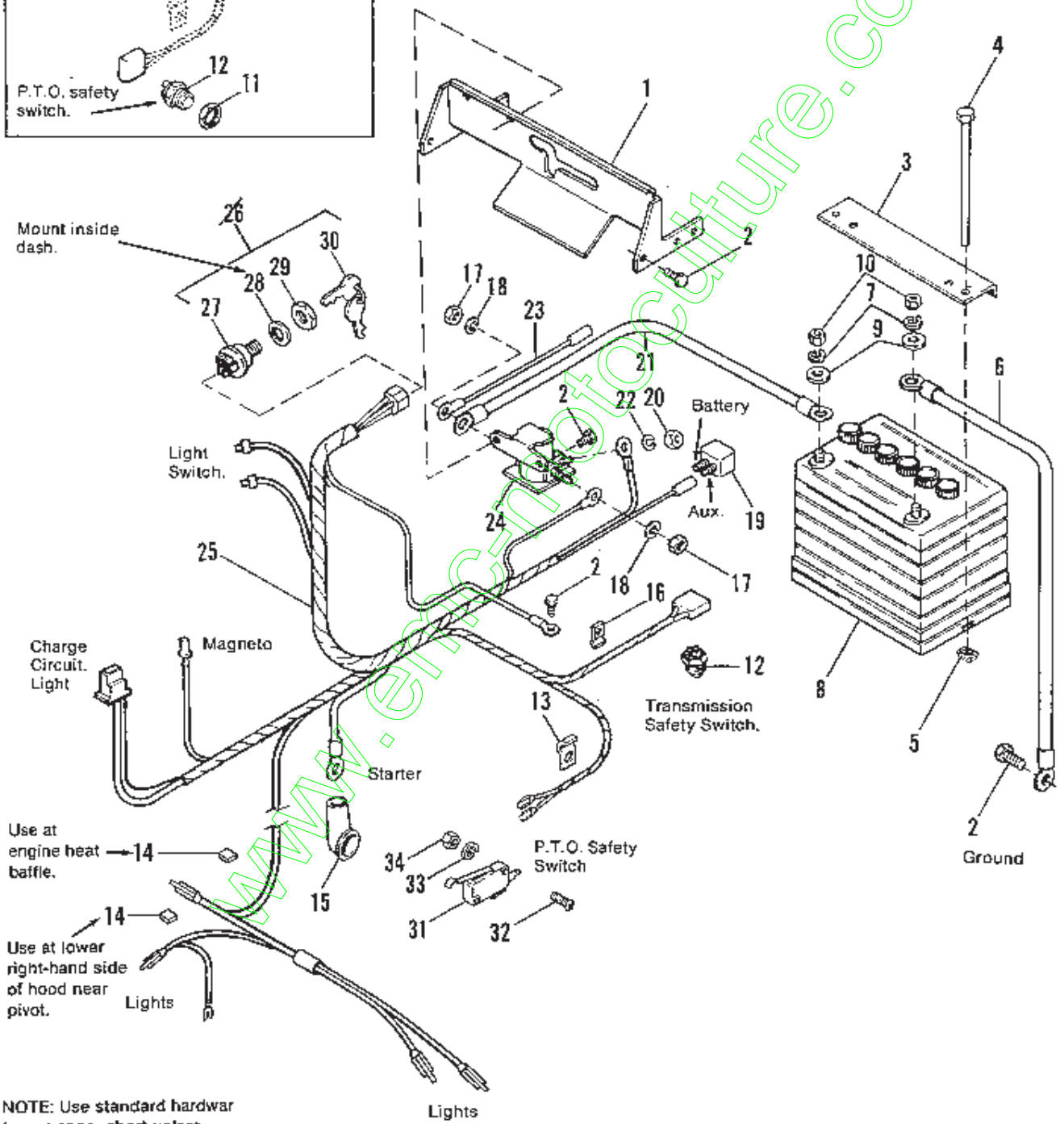
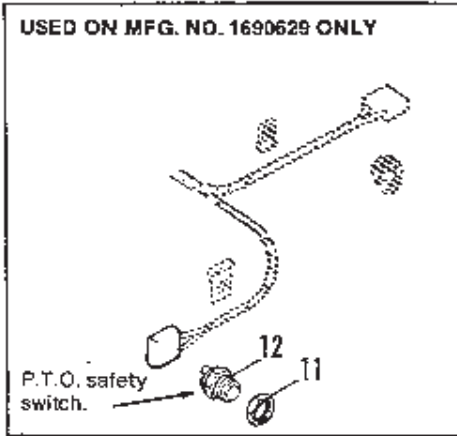
*NOTE: See an authorized Tecumseh dealer for parts & service;
Peerless parts are not available thru *Simplicity*, however, an exploded view of the Peerless transmission is shown at the end of the manual.



NOTE: Use standard hardware torque spec. chart unless otherwise noted.

Ref. No.	Part No.	Qty.	Description
1	927429	2	SCREW, Hex, Taptite, 1/4-20 x 5/8
2	1656854	1	PLATE, End
3	1656852	1	PEDAL, Foot
4	1657322	1	DAMPER, Rubber
5	157273	1	STUD
6	918199	1	LOCKWASHER, 7/16
7	918213	1	NUT, Hex, Full, 7/16-14
8	918447	3	PIN, Cotter, 3/32 x 3/4
9	917377	3	WASHER, Plain, 1/4
10	921969	1	CAPSCREW, Hex Hd., 3/8-16 x 1-1/2
11	922755	1	WASHER, Plain, 3/8
12	1666294	1	SPACER
13	1685150	1	PULLEY ASSY. (incl. Ref. No. 12)
14	159106	1	SPRING, Tension
15	106717	1	GUIDE, Belt
16	919650	1	NUT, Hex, Full, 3/8-16
17	1666656	1	ROD, Brake
18	1663138	1	GUIDE, Rod
19	923362	1	LOCKNUT, Hex, 5/16-18
20	1666759	1	SPRING, Return
21	935048	1	LOCKNUT, Hex, Flange, 5/16-18
22	1663136	1	SPRING
23	924433	2	LOCKNUT, Hex, Esna, 5/16-18
24	1657222	1	GUIDE ASSY., Rod
25	157041	1	SPRING, Compression
26	8191022	1	COLLAR, Set
27	928804	1	SETSCREW, 1/4-20 x 3/8
28	1655055	1	ROD, Clutch
29	918965	1	LOCKWASHER, 3/8
30	917642	1	WASHER, Plain, 5/16
31	924058	1	LOCKNUT, Hex, 7/16-14
32	1653076	1	IDLER ASSY.

NOTE: Refer to the Operator's Manual and perform "Tractor Adjustments" in Adjustments section. These adjustments include the parking brake, brake rod and clutch rod.



NOTE: Use standard hardware torque spec. chart unless otherwise noted.

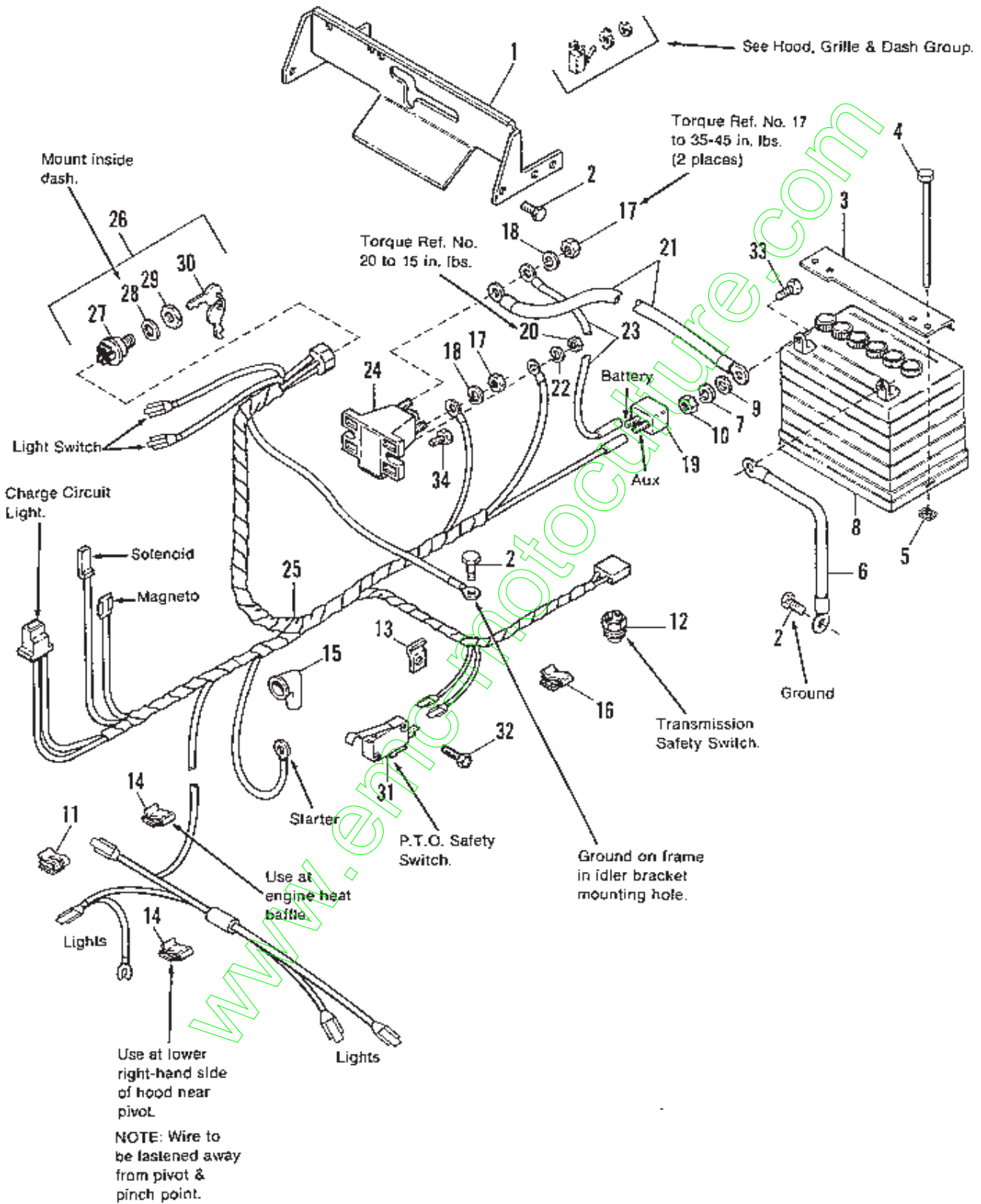
Electrical Group

Ref. No.	Part No.	Qty.	Description
1	1666642	1	QUADRANT, Shift
2	927428	10	SCREW, Hex, Taplite, 1/4-20 x 3/8
3	1669831	1	HOLD DOWN, Battery
4	928634	2	CAPSCREW, Hex Hd., 1/4-20 x 7
5	926022	2	NUT, Retainer, 1/4-20
6	122213	1	CABLE
7	916964	2	LOCKWASHER, 1/4
8	1685215	1	BATTERY SERVICE KIT, 39 Amp. (includes decal)
9	917377	2	WASHER, Plain, 1/4
10	916622	2	NUT, Hex, Full, 1/4-20
11	930647	1	LOCKNUT, 9/16-18
12	1654634	1	SWITCH, Interlock (Qty. 2 used for 1690629)
13	1668602	1	CLIP, Wire
14	930222	2	CLIP, Wire
15	122023	1	COVER, Terminal
16	165073	1	CLIP, Speed
17	917372	2	NUT, Hex, Full, 5/16-18
18	917356	2	LOCKWASHER, 5/16
19	172163	1	BREAKER, Circuit
20	917415	1	NUT, Hex, Full #10-32
21	1655522	1	CABLE
22	922711	1	LOCKWASHER, External, #10
23	1665237	1	WIRE ASSY.
24	122216	1	SOLENOID
25	1668064	1	HARNES, Wiring (1690629 only)
	**1669199		HARNES, Wiring
**26	178280	1	SWITCH, Ignition
27		1	SWITCH
28	918906	1	LOCKWASHER, Internal, 5/8
29	122234	1	NUT, Hex, 5/8-32
30	122203	1	KEYS
31	**1665586	1	SWITCH, P.T.O., Interlock
32	**935031	2	SCREW, Rd. Hd., Phil #5-40 x 3/4
33	**930947	2	LOCKWASHER, #5
34	**931003	2	NUT, Hex, #5-40

NOTE: Parts shown on pages 20 and 21 are used on all Mfg. No. 1690629 and on Mfg. No. 1690684 prior to serial number 4856. For other models, see page 22.

*Ref. No. 26 includes Ref. Nos. 27, 28, 29 & 30.

**Used on Mfg. No. 1690684 only.

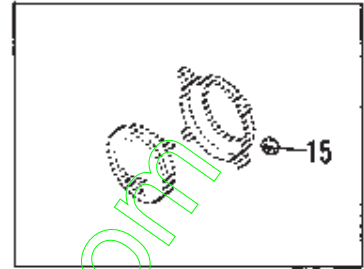
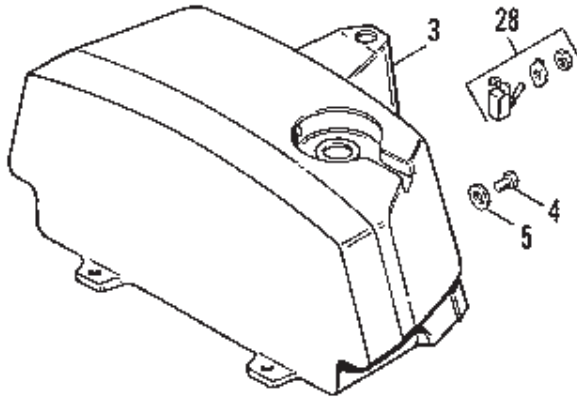
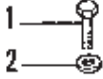


Ref. No.	Part No.	Qty.	Description
1	1672238	1	QUADRANT, Shift
2	927428	10	SCREW, Hex, Taptite, 1/4-20 x 3/8
3	1669831	1	HOLD DOWN, Battery
4	928634	2	CAPSCREW, Hex Hd., 1/4-20 x 7/8
5	926022	2	NUT, Retainer, 1/4-20
6	122213	1	CABLE
7	916964	2	LOCKWASHER, 1/4
8	1685215	1	BATTERY SERVICE KIT, 39 Amp (includes decal)
9	921319	2	WASHER, Plain
10	916622	2	NUT, Hex, Full, 1/4-20
11	176675	1	CLIP, Wire
12	1654634	1	SWITCH, Interlock
13	1668602	1	CLIP, Wire
14	930222	2	CLIP, Wire
15	122023	1	COVER, Terminal
16	165073	1	CLIP, Speed
17	917372	2	NUT, Hex, Full, 5/16-18
18	917356	2	LOCKWASHER, 5/16
19	1665238	1	BREAKER, Circuit
20	917415	1	NUT, Hex, Full #10-32
21	1655522	1	CABLE
22	922711	1	LOCKWASHER, External, #10
23	1665237	1	WIRE ASSY.
24	1671994	1	SOLENOID
25	1669199	1	HARNESS, Wiring
26	178280	1	SWITCH, Ignition (1690684, 1690849, 1690879 only)
	1674244	1	SWITCH, Ignition (1690915, 1690934 only)
27		1	SWITCH
28	918906	1	LOCKWASHER, Internal, 5/8
29	122234	1	NUT, Hex, 5/8-32
30	122203	1	KEYS
31	1665586	1	SWITCH, P.T.O., Interlock
32	935944	2	SCREW, Taptite, #5-40 x 3/4
33	923341	2	CAPSCREW, 1/4-20 x 3/4
34	925592	2	SCREW, Taptite, 1/4-20 x 3/4

NOTE: Parts shown on pages 22 and 23 are used on Mfg. No. 1690684 after Serial Number 4855 and on all Mfg. No. 1690849, 1690879, 1690915 & 1690934. For other models, see page 20.

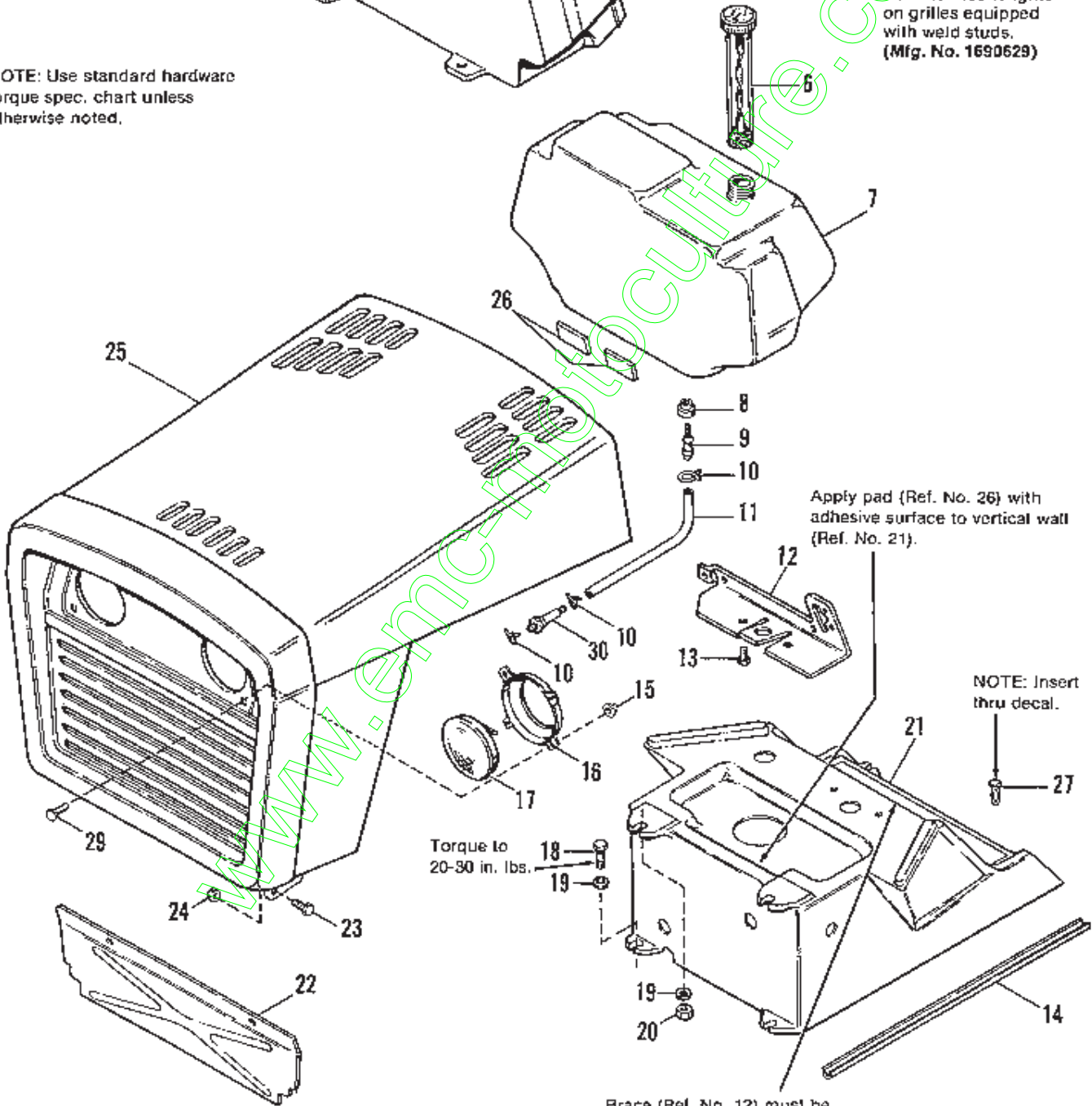
*Ref. No. 26 includes Ref. Nos. 27, 28, 29 & 30.

Torque to
20-30 in. lbs.



Used to mount lights
on grilles equipped
with weld studs.
(Mfg. No. 1690629)

NOTE: Use standard hardware
torque spec. chart unless
otherwise noted.



Apply pad (Ref. No. 26) with
adhesive surface to vertical wall
(Ref. No. 21).

NOTE: Insert
thru decal.

Torque to
20-30 in. lbs.

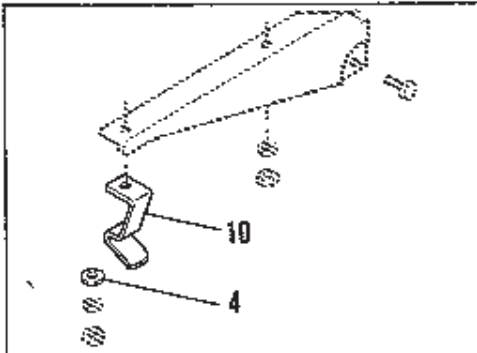
Brace (Ref. No. 12) must be
assembled parallel to this edge.

Hood, Grille & Dash Group

Ref. No.	Part No.	Qty.	Description
1	921961	2	CAPSCREW, Hex Hd., 1/4-20 x 1-1/4
2	917377	2	WASHER, Plain, 1/4
3	1673058	1	DASH BOARD, Top
4	930561	2	SCREW, #14 x 3/4
5	916955	2	WASHER, Plain, 3/16
6	171252	1	CAP, Fuel
7	*1666490	1	TANK ASSY., Fuel
8	1654930	1	BUSHING
9	1666447	1	FITTING
10	154372	3	CLAMP, Hose
11	1664516	1	HOSE, FUEL
12	1665301	1	BRACE, Dash
13	925592	2	SCREW, Hex, Taptite, 1/4-20 x 1
14	**1672123	2	EDGING, Lower Dash
15	1665253	4	LOCKNUT, Pal. #10-24 (Qty. 8 on 1690629 only)
16	1665813	2	BRACKET, Support, Headlight
17	1665853	2	LAMP, Sealed Beam, G.E. #4411-1
18	929783	4	SCREW, Hex, Taptite, 1/4-20 x 1
19	931704	6	LOCKWASHER, Dished Type, 1/4
20	923358	2	LOCKNUT, Hex, 1/4-20
21	1668641	1	DASH BOARD, Bottom
22	1665751	1	BAFFLE, Engine, Front
23	921966	2	CAPSCREW, Hex Hd., 3/8-16 x 7/8
24	930651	2	LOCKNUT, Hex, 3/8-16
25	1669410	1	HOOD & GRILLE ASSY.
26	173335	2	PAD
27	1667248	4	CLIP, Canoe
28	122184	1	SWITCH, Toggle
29	**936363	4	BOLT, Carriage, #10-24 x 1/2
30	173206	1	FILTER, Fuel

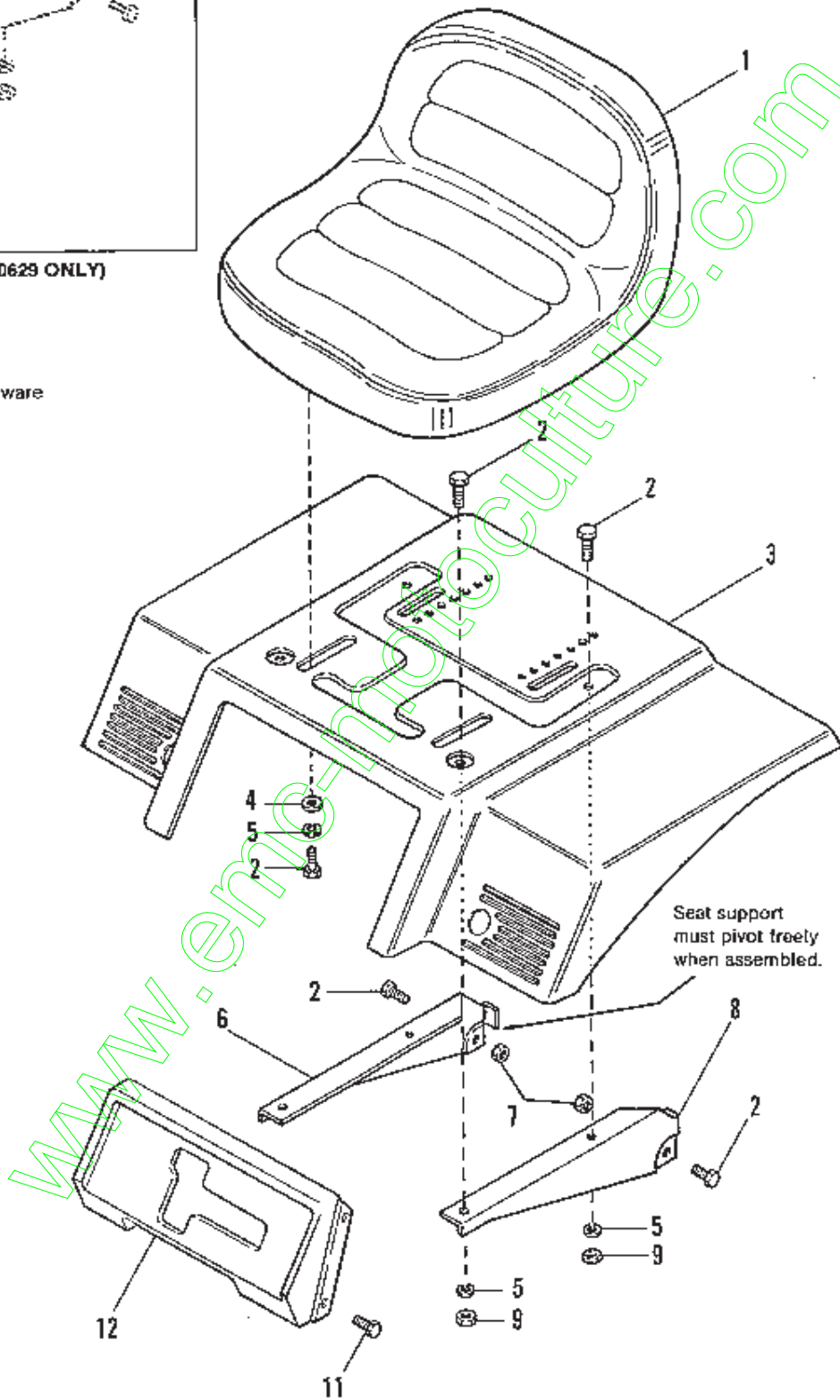
*Reference No. 7 includes Ref. Nos. 8, 9, 10 (Qty. 1) & 11.

**Used on Mfg. No. 1690684, 1690849, 1690879, 1690915 & 1690934.



(USED ON MFG. NO. 1690629 ONLY)

NOTE: Use standard hardware torque spec. chart unless otherwise noted.

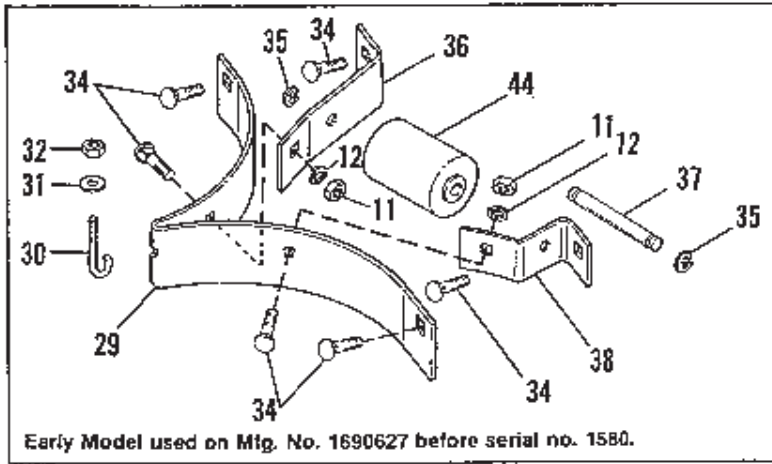


Ref. No.	Part No.	Qty.	Description
1	1666729	1	SEAT
2	921332	10	CAPSCREW, Hex Hd., 5/16-18 x 3/4
3	1669279	1	DECK, Seat
4	917642	5	WASHER, Plain, 5/16 (Qty. 4 used on 1690684)
5	917356	8	LOCKWASHER, 5/16
6	1654708	1	SUPPORT, Seat, R.H.
7	923362	2	LOCKNUT, Hex, 5/16-18
8	1654709	1	SUPPORT, Seat, L.H.
9	917372	4	NUT, Hex, Full, 5/16-18
10	1655287	1	LATCH, Spring (Used on 1690629 only)
11	925003	4	SCREW, Hex, Tapitite, 1/4-20 x 1/2
12	1668839	1	PANEL, Shift

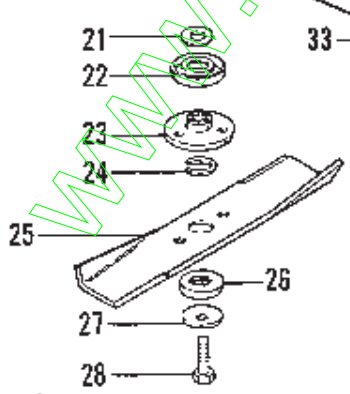
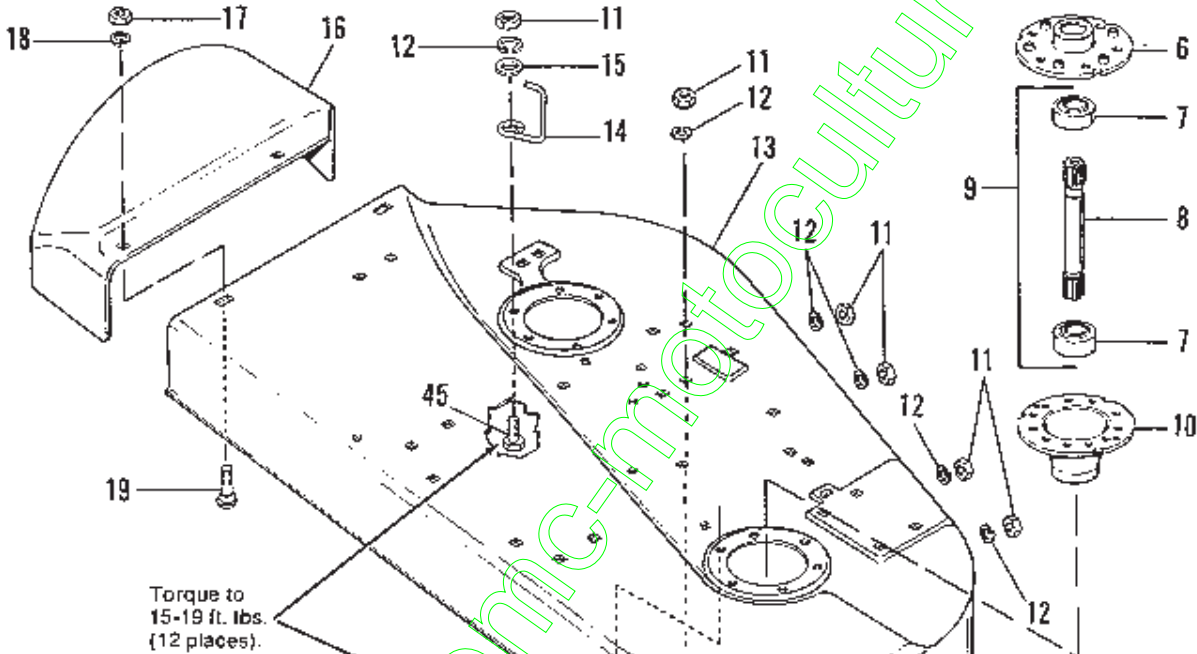
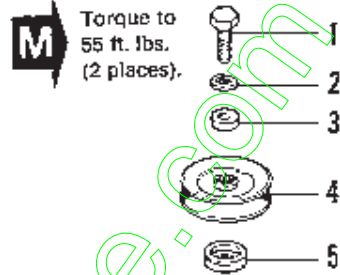
www.emc-motoculture.com

Ref. No.	Part No.	Qty.	Description
1	1666197	2	HINGE, Lower
2	1668839	1	PANEL, Shift
3	930651	2	NUT, Hex, Lock, 3/8-16
4	921332	10	CAPSCREW, Hex, 5/16-18 x 3/4
5	917356	12	LOCKWASHER, 5/16
6	917642	8	WASHER, 5/16
7	923701	2	CAPSCREW, 3/8-16 x 2
8	1666200	2	HINGE, Upper
9	1666578	1	SEAT
10	1666690	2	SPRING, Seat
11	1666691	2	COVER, Wire
12	1669279	1	DECK, Seat
13	917372	8	NUT, Hex, 5/16-18
14	1654708	1	SUPPORT, Seat, R.H.
15	923362	2	NUT, Hex, Lock, 5/16-18
16	1654709	1	SUPPORT, Seat, L.H.
17	925003	4	SCREW, Taptite, 1/4-20 x 1/2
18	921933	4	CAPSCREW, Hex, 5/16-18 x 1

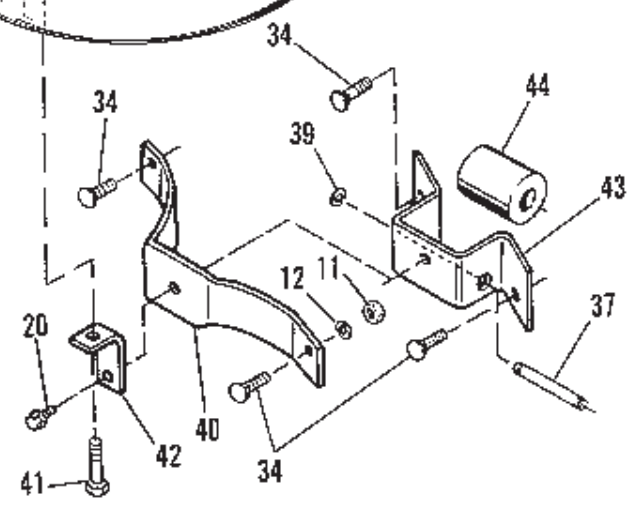
www.emc-motocycle.com



NOTE: Use standard hardware torque spec. chart unless otherwise noted.



M Torque to 55 ft. lbs. (2 places).

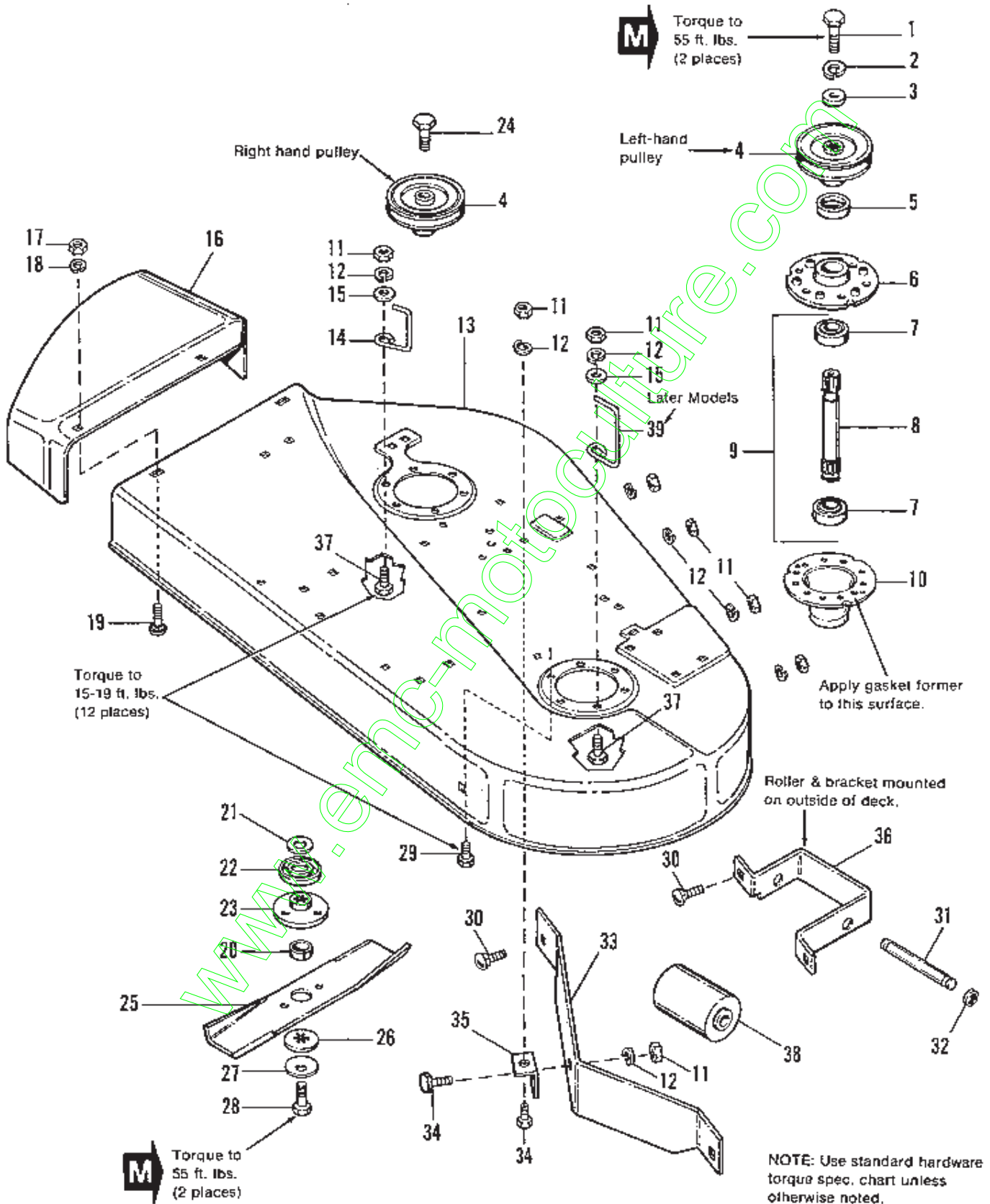


Ref. No.	Part No.	Qty.	Description
1	930584	2	CAPSCREW, Hex Hd., 7/16-14 x 2-3/4
2	918199	2	LOCKWASHER, 7/16
3	933263	2	WASHER, Special
4	1655839	2	PULLEY ASSY.
5	1657969	2	SHIELD, Bearing, Upper
6	1655729	2	HOUSING, Top
7	108202	4	BEARING
8	1685245	2	SHAFT, Arbor
9	1685251	2	SHAFT & BEARING ASSY. (Includes Ref. Nos. 7 & 8)
10	1655728	2	HOUSING, Bottom
***11	917372	7	NUT, Hex, Full, 5/16-18 (Qty. 6 used with late model baffle assy.)
***12	917356	7	LOCKWASHER, 5/16 (Qty. 6 used with late model baffle assy.)
13	1685102	1	HOUSING, 36" (Incl. safety decals)
14	1657660	1	STOP, Belt
15	917642	1	WASHER, 5/16
16	1655422	1	DEFLECTOR, Mower
17	916950	2	NUT, Hex, Full, 3/8-16
18	918965	2	LOCKWASHER, 3/8
19	922110	2	BOLT, Carriage, 3/8-16 x 3/4
20	924856	1	SCREW, Hex, Washer Hd., Taptite, 5/16-18 x 1/2
21	1664241	2	WASHER, Shim
22	1657588	2	SHIELD, Grass
23	1655777	2	ADAPTOR, Blade
24	1657528	2	RING, Self-Locking
25	1657589	2	BLADE, 36"
26	1656927	2	WASHER, Spline
27	1656916	2	WASHER, Cup
28	923491	2	CAPSCREW, Hex Hd., 7/16-14 x 1
*29	1685239	1	BAFFLE KIT
**30	1654910	1	SCREW, Baffle Hook
**31	917377	1	WASHER, Plain, 1/4
**32	923358	1	LOCKNUT, Hex, 1/4-20
33	1664847	11	SCREW, Hex Washer Hd., Taptite, 5/16-18 x 3/4
34	920562	6	BOLT, Carriage, 5/16-18 x 3/4 (Qty. 4 used with late model baffle assy.)
**35	1602155	2	E-RING
**36	1655096	1	BRACKET, Roller, R.H.
37	1603205	1	SHAFT, Roller, Center
**38	1655100	1	BRACKET, Roller, L.H.
***39	927793	1	E-RING
***40	1668362	1	BAFFLE
**41	921332	1	CAPSCREW, Hex Hd., 5/16-18 x 3/4
**42	1668500	1	BRACKET, Mower
**43	1668361	1	BRACKET, Center, Roller
44	1688513	1	ROLLER
45	927477	1	SCREW, Hex, Washer Hd., Taptite 5/16 x 1

*Ref. No. 29 includes Qty. 1 of Ref. No. 40, 42, 43, and related hardware.

**Used only on early model baffle assy.'s before serial number 1580, Mfg. No. 1690627.

***Used only on late model baffle assy.'s after serial number 1579, Mfg. No. 1690627 and all Mfg. No. 1690710 rotary mowers.



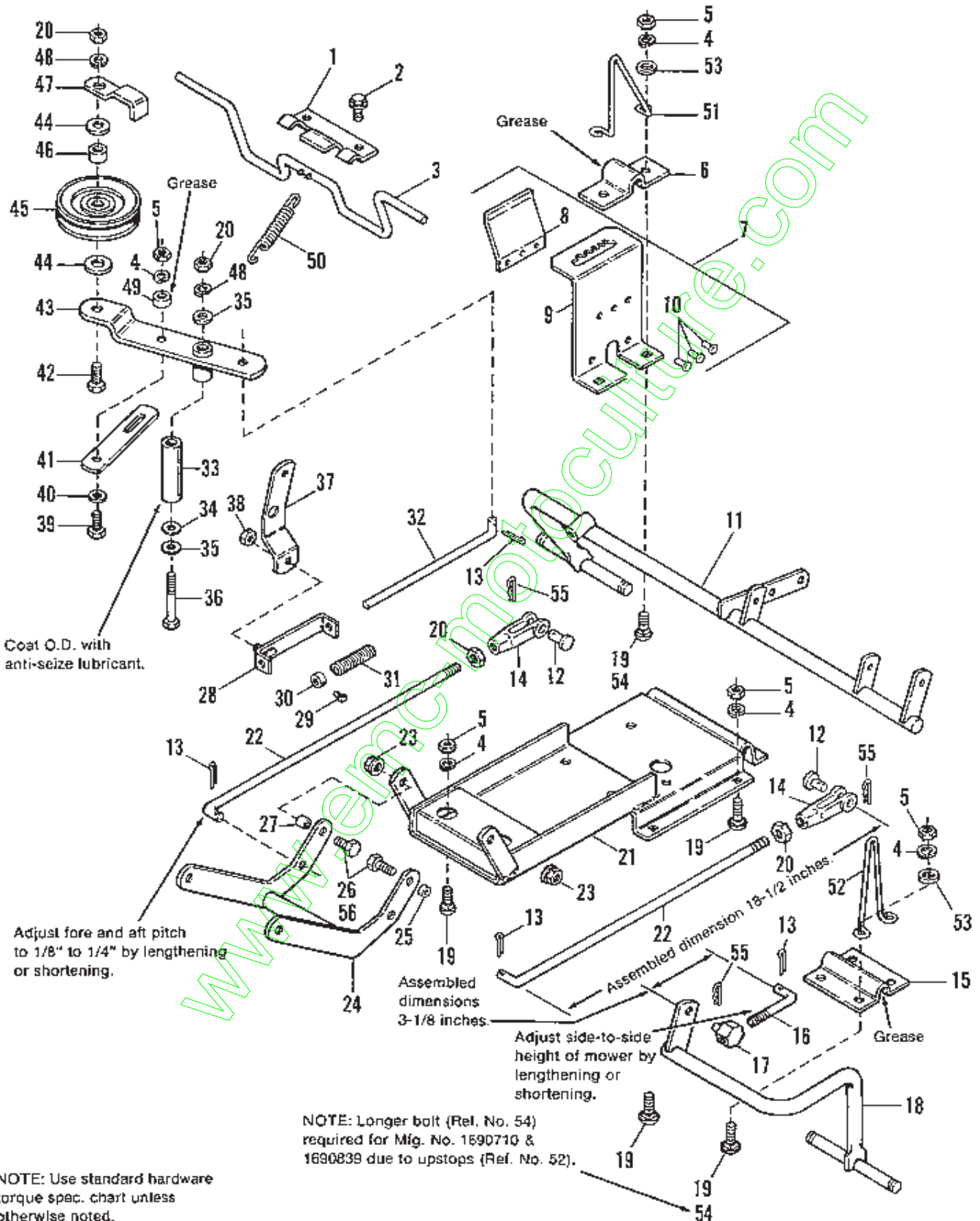
Ref.	Part No.	No.	Qty.	Description
1	*930585	2		CAPSCREW, Hex Hd., 7/16-14 x 3-1/2
	**926110	2		CAPSCREW, Hex Hd., 7/16-14 x 2-3/4
2	918199	2		LOCKWASHER, 7/16
3	933263	2		WASHER, Special
***4		1		PULLEY ASSY.
5	1657969	2		SHIELD, Bearing, Upper
6	1655729	2		HOUSING, Top
7	108202	4		BEARING
8	****1685245	2		SHAFT, Arbor
9	****1685251	2		SHAFT & BEARING, ASSY. (Incl. Ref. No. 7)
10	1655728	2		HOUSING, Bottom
11	917372	8		NUT, Hex, Full, 5/16-18
12	917356	8		LOCKWASHER, 5/16
13	1685102	1		HOUSING, 36" (Incl. safety decals)
14	1657660	1		STOP, Bell
15	917642	2		WASHER, 5/16
16	1655422	1		DEFLECTOR, Mower
17	916950	2		NUT, Hex, Full, 3/8-16
18	916965	2		LOCKWASHER, 3/8
19	922110	2		BOLT, Carriage, 3/8-16 x 3/4
20	1672132	2		COLLAR, Arbor
21	1664241	2		WASHER, Shim
22	1657588	2		SHIELD, Grass
23	1655777	2		ADAPTOR, Blade
24	930584	1		CAPSCREW, Hex Hd., 7/16-14 x 2-3/4
25	1657589	2		BLADE, 36"
26	1656927	2		WASHER, Spline
27	1656916	2		WASHER, Cup
28	923491	2		CAPSCREW, Hex Hd., 7/16-14 x 1
29	1664847	11		SCREW, Hex, Wash. Hd., Taptite, 5/16-18 x 3/4
30	920562	5		BOLT, Carriage, 5/16-18 x 3/4
31	1603205	1		SHAFT, Roller, Center
32	927793	1		E-RING
33	1671577	1		BAFFLE
34	921932	2		CAPSCREW, Hex Hd., 5/16-18 x 3/4
35	1668500	1		BRACKET, Mower
36	1671592	1		BRACKET, Center, Roller
37	927477	2		SCREW, Hex Hd., Taptite, 5/16-18 x 1
38	1668513	1		ROLLER
39	*1673106	1		STOP, Bell

*Used on serial no. 1010 and higher.

**Used on serial no. 1009 and lower.

***For serial no. 1010 and higher, order part no. 1673109 for left-hand pulley and 1655839 for right-hand pulley. For serial no. 1009 and lower, order part no. 1655839 for both left and right-hand pulley.

****Includes Ref. No. 20



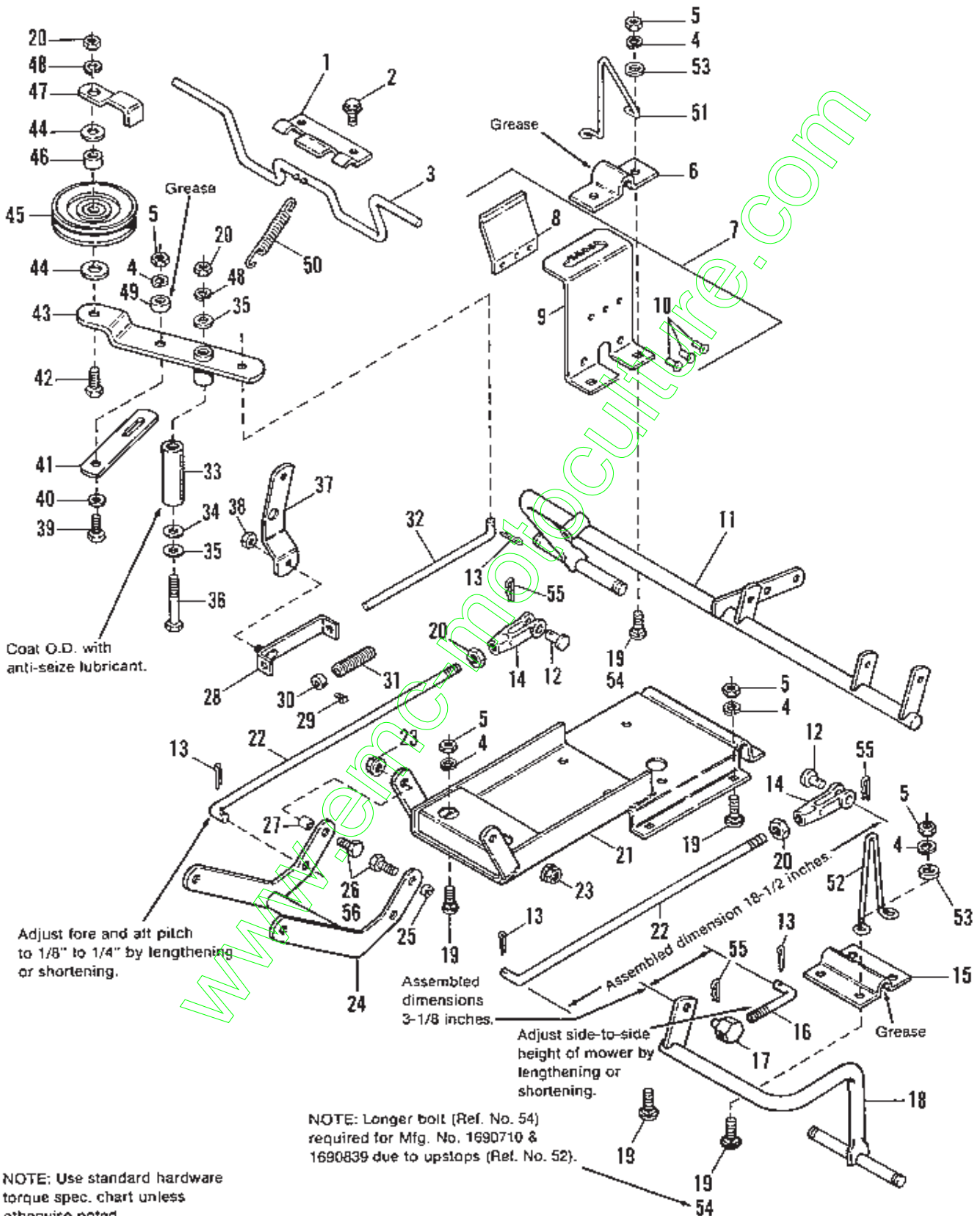
Ref. No.	Part No.	Qty.	Description
1	1655507	1	SUPPORT, Brake
2	927428	2	SCREW, Hex, Washer Hd., Taptite, 1/4-20 x 3/8
3	*1655425	1	ROD ASSY., Brake
	**1673110	1	ROD ASSY., Brake
4	917356	15	LOCKWASHER, 5/16
5	917372	15	NUT, Hex, Full, 5/16-18
6	1654655	1	STRAP
7	1663223	1	QUADRANT ASSY.
*** 8	1663222	1	SPRING, Flat
	1602200	1	SPRING, Flat
9		1	QUADRANT (Not serviced separately, order Part No. 1663223)
10	910542	3	RIVET, Tubular, 3/16 x 5/16
11	1668099	1	SUPPORT ASSY., Roller, R.H.
12	923087	2	PIN, Clevis
13	918447	4	PIN, Cotter, 3/32 x 3/4
14	108157	2	CLEVIS, Adjusting
15	1653768	1	CLAMP, Wheel Support
16	1655811	1	ROD, Bolt
17	108512	1	PIVOT
18	1668098	1	SUPPORT ASSY., Roller, L.H.
19	920562	8	BOLT, Carriage, 5/16-18 x 3/4 (Qty. 14 for 1690627)
20	916950	4	NUT, Hex, Full, 3/8-16 (Qty. 6 on 1690839)
21	1685253	1	SUPPORT ASSY., Mower (1690627 & 1690710, and Model 1690839 before serial no. 1699)
	1674012	1	SUPPORT ASSY., MOWER (1690839 after serial no. 1698)
22	1654411	2	ROD, Height Adjustment
23	930645	2	LOCKNUT, Hex, Flange, 3/8-16
24	1653716	1	ARM ASSY., Rocker (1690627 & 1690710 & 1690839 before serial no. 1699)
	1674011	1	ARM ASSY., Rocker (1690839 after serial no. 1698)
25	118335	1	SPACER
26	921210	2	CAPSCREW, Hex Hd., 3/8-16 x 1
27	154177	1	SPACER
28	108662	1	GUIDE ASSY., Rod
29	928804	1	SETSCREW, 1/4-20 x 3/8

NOTE: Ref. No. 30-55 on pages 36 & 37.

*Used on all Mfg. No. 1690627 & 1690710 and on 1690839 before serial no. 1010.

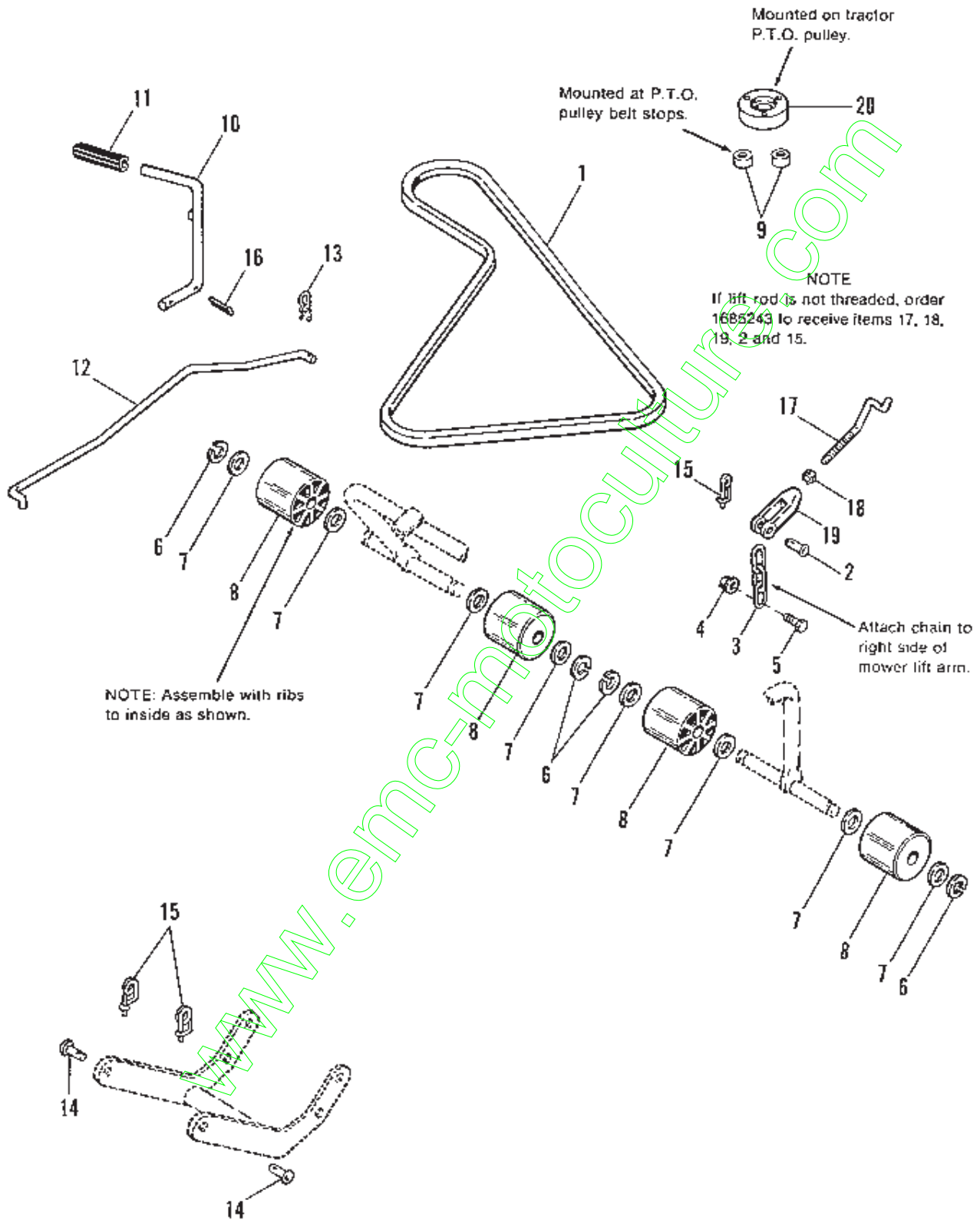
**Used on Mfg. No. 1690839 serial no. 1010 and higher.

***Order Part No. 1663222 to fit quadrant with five rivet holes.
Order Part No. 1602200 to fit quadrant with two rivet holes.



Ref. No.	Part No.	Qty.	Description
30	8191022	1	COLLAR, Set
31	163103	1	SPRING
32	171320	1	ROD, Clutch
33	1657242	1	SPACER
34	924356	1	WASHER
35	917378	2	WASHER, Plain, 3/8
36	928957	1	CAPSCREW, Hex Hd., 3/8-16 x 2-3/4
37	1656991	1	ARM, Pivot (1690627 only)
	1669283	1	ARM, Pivot (1690710 & 1690839)
38	923362	1	LOCKNUT, Hex, 5/16-18
39	921333	1	CAPSCREW, Hex Hd., 5/16-18 x 1.0
40	917377	1	WASHER, Plain, 1/4
41	1656998	1	LEVER, Brake
42	921971	1	CAPSCREW, Hex Hd., 3/8-16 x 1-3/4 (Was 921969, 1-1/2)
43	1657241	1	LEVER ASSY., Clutch
44	922755	2	WASHER, Plain
45	1685150	1	PULLEY ASSY. (Incl. Ref. No. 46)
46	1666294	1	SPACER
47	106717	1	GUIDE, Belt
48	918965	2	LOCKWASHER, 3/8
49	165034	1	SPACER
50	159159	1	SPRING
51	1669232	1	UP-STOP, R.H. (Not used on 1690627)
52	1669233	1	UP-STOP, L.H. (Not used on 1690627)
53	917642	4	WASHER, Plain, 5/16 (Not used on 1690727)
54	920564	6	BOLT, Carriage, 5/16-18 x 1-1/4 (Not used on 1690627)
55	106787	3	CLIP, Hairpin
56	920415	2	CAPSCREW, Hex Hd., 3/8-16 x 1-1/4

NOTE: Ref. Nos. 1-20 on pages 34 & 35.



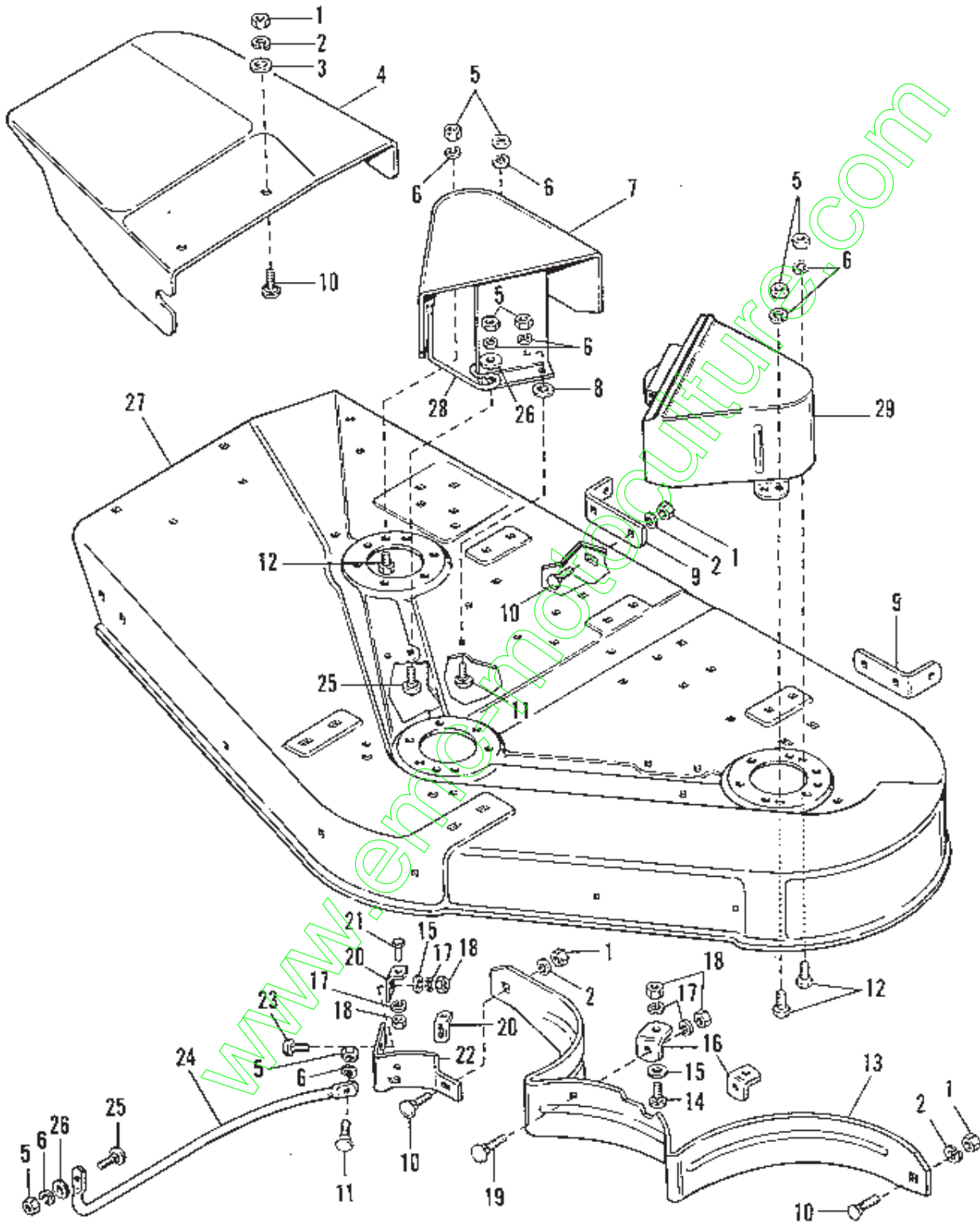
NOTE: Use standard hardware torque spec. chart unless otherwise noted.

Ref. No.	Part No.	Qty.	Description
1	1668065	1	V-BELT, Mower Drive
2	1673574	1	PIN, Rivet
3	1656835	1	CHAIN, Lift
4	935048	1	LOCKNUT, Hex, Flange, 5/16-18
5	921333	1	CAPSCREW, Hex Hd., 5/16-18 x 1
6	153124	4	RING, Retaining
7	919387	8	WASHER, Plain, 5/8
8	1668487	4	ROLLER
9	1667812	2	SPACER
10	1656412	1	LEVER, Control
11	176933	1	GRIP, Handle
12	*1669234	1	ROD, P.T.O.
	**1668120	2	ROD, P.T.O.
13	106787	1	CLIP, Spring
14	156306	2	PIN
15	176012	3	CLIP, Pin, Safety
16	918452	2	PIN, Cotter, 1/8 x 1
17	1673576	1	ROD, Lift
18	920161	1	NUT, Jam, 5/16-18
19	1673575	1	CLEVIS
20	1669751	1	SPACER, Pulley

*Used on Mfg. No. 1690710 and 1690839.

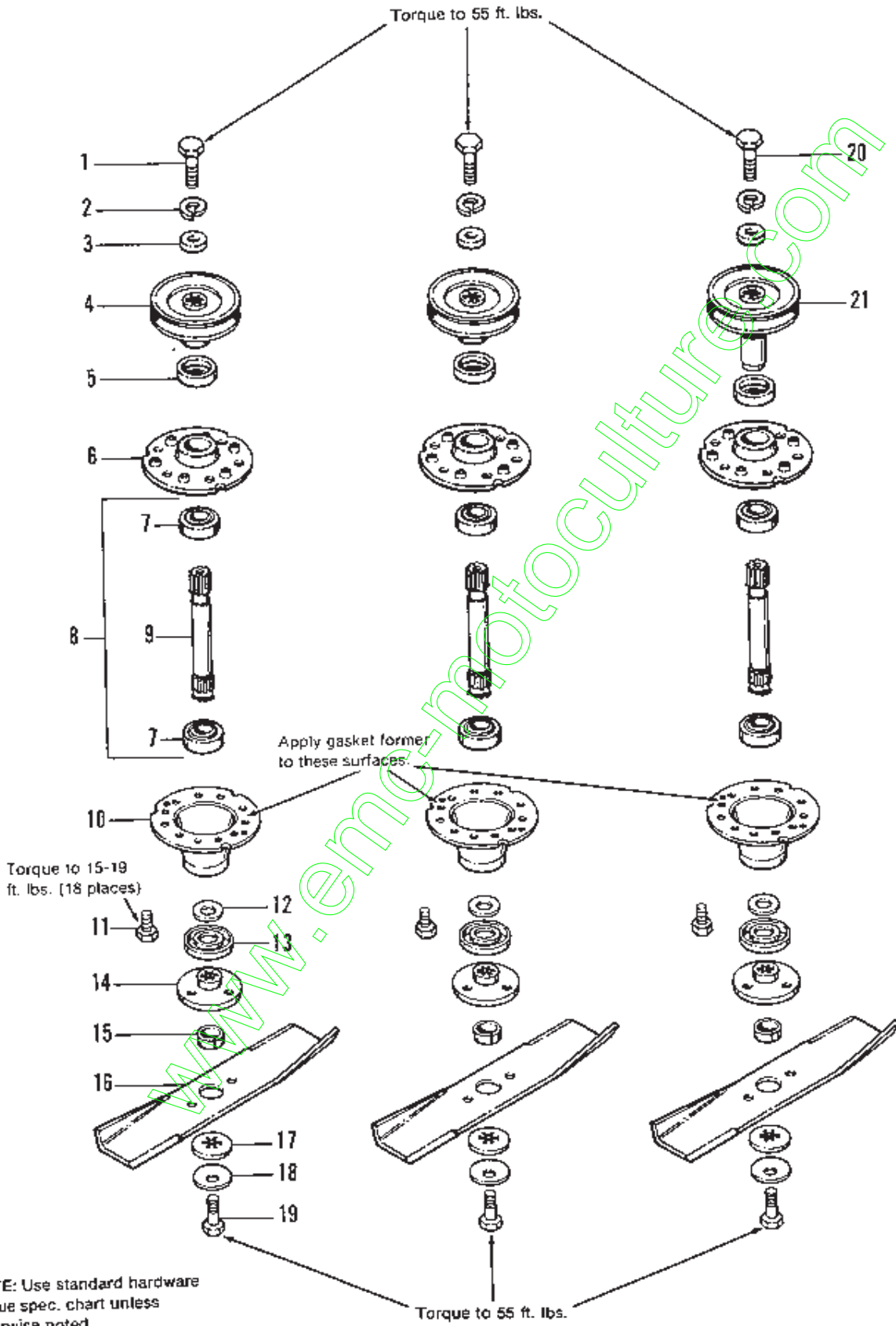
**Used on Mfg. No. 1690627.

www.emc-motocycle.com



Ref. No.	Part No.	Qty.	Description
1	916950	8	NUT, Hex, 3/8-16
2	916965	8	LOCKWASHER, 3/8
3	917378	2	WASHER, Plain, 3/8
4	1656049	1	DEFLECTOR
5	917372	8	NUT, Hex, 5/16-18
6	917356	8	LOCKWASHER, 5/16
7	1666861	1	ARBOR COVER ASSY.
8	933988	2	PUSHNUT, 5/16
9	1603264	2	BRACKET, Roller Support
10	922110	8	BOLT, Carriage, 3/8-16 x 3/4
11	920562	2	BOLT, Carriage, 5/16-18 x 3/4
12	921333	4	CAPSCREW, Hex, 5/16-18 x 3/4
13	1608135	1	BAFFLE
14	923341	2	CAPSCREW, Hex, 1/4-20 x 3/4
15	917377	4	WASHER, 1/4
16	1608331	2	CLIP, Baffle
17	916964	8	LOCKWASHER, 1/4
18	916622	8	NUT, Hex, 1/4-20
19	923333	2	BOLT, Carriage, 1/4-20 x 5/8
20	108186	2	CLIP GUARD & BAFFLE
21	924009	2	CAPSCREW, Hex, 1/4-20 x 3/4
22	1665709	1	BAFFLE, Discharge
23	931317	2	BOLT, Carriage, 1/4-20 x 3/4
24	1665562	1	GUARD, Mower Discharge
25	920563	2	BOLT, Carriage, 5/16-18 x 1
26	919381	2	WASHER, 11/32 x 1
*27	1665156	1	42" ROTARY MOWER HOUSING KIT
28	1666888	1	STOP, Belt
29	1666862	1	ARBOR COVER ASSY.

*Ref. No. 27 includes decals, see decal group for parts.



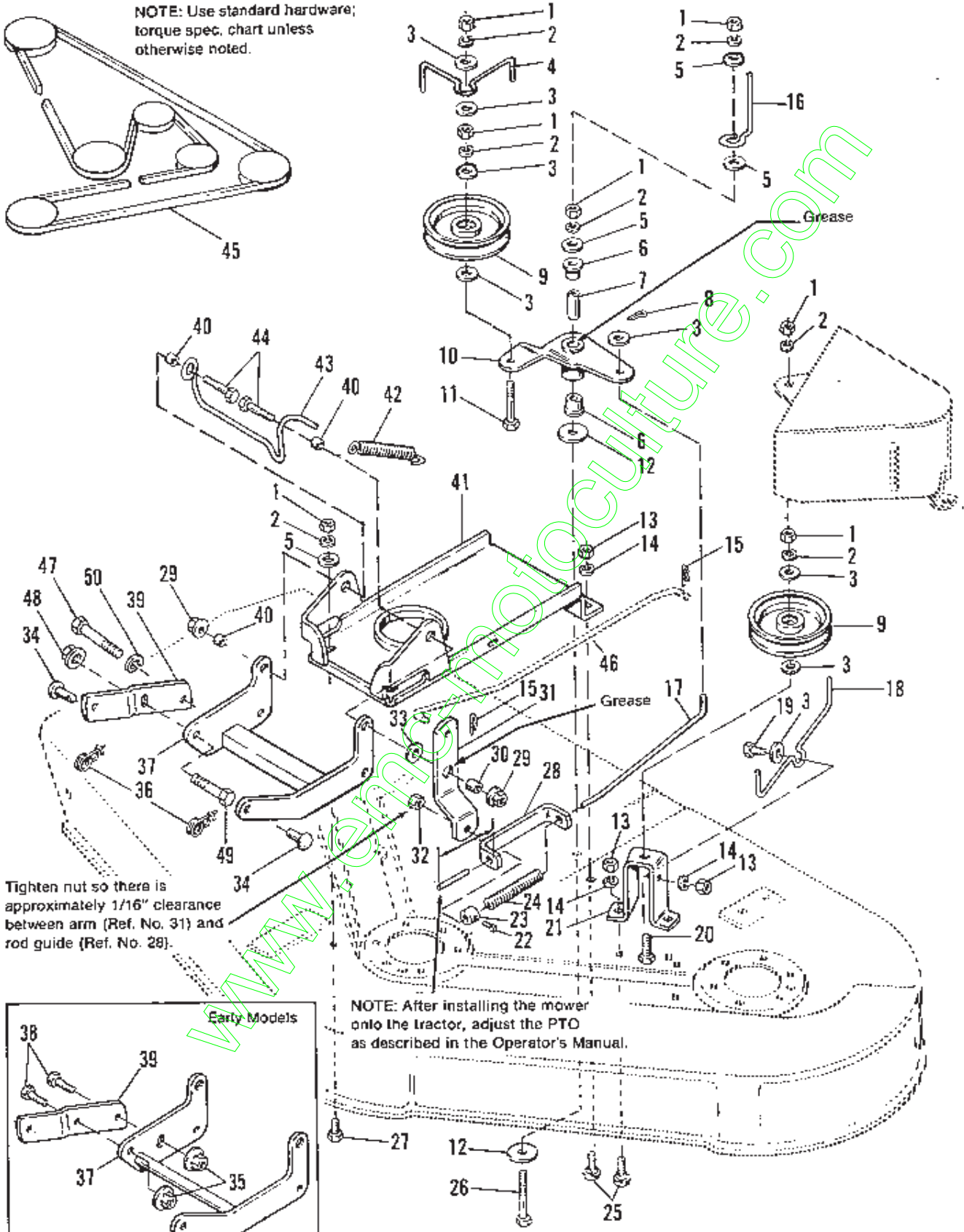
Ref. No.	Part No.	Qty.	Description
1	936723	2	CAPSCREW, hex 7/16-14 x 1-3/4
2	918199	3	LOCKWASHER, 7/16
3	933263	3	WASHER, Plain, 29/64 x 1-1/4 x 1/4
4	1665476	2	PULLEY ASSY.
5	1657969	3	SHIELD, Bearing Upper
6	1655729	3	HOUSING TOP
7	108202	6	BEARING
8	*1685251	3	SHAFT & BEARING ASSY. (Incl. Ref. No. 7)
9	*1685245	3	SHAFT, Arbor
10	1655728	3	HOUSING, Bottom
11	1664847	18	SCREW, Hex, Tapite, 5/16-18 x 3/4
12	1664241	3	WASHER, Shim
13	1657588	3	SHIELD, Grass
14	1655777	3	ADAPTOR, Blade
15	1672132	3	COLLAR
16	1656147	3	BLADE, 42" Mower
17	1656927	3	WASHER, Spline
18	1656916	3	WASHER, Spring
19	923491	3	CAPSCREW, Hex 7/16-14 x 1
20	930585	1	CAPSCREW, Hex, 7/16-14 x 3-1/2
21	1665347	1	PULLEY ASSY.

*Includes Ref. No. 20.

ASSEMBLY PROCEDURES

- A. Press (2) bearings (Ref. No. 7) with land riding seal (see note below) facing up over shafts (Ref. No. 9) using pressure only on the inner race of the bearing. NOTE: Land riding seal is side of bearing without steel shield. If bearing has shield on both sides, it can be installed either way.
- B. Assemble upper and lower arbor housing (Ref. Nos. 6 & 10) over bearings. Must be careful that housings do not cock on bearings. When upper and lower housing flanges come together proper alignment of holes in housing flanges are accomplished by aligning knockouts in lower housing flange with mating holes in upper housing flange. Also half holes in outer edge must match.
- C. Seal between flanges of upper arbor housing and lower arbor housing with gasket eliminator. Remove contaminants such as grease, heavy oils and dirt from flange surfaces before assembly. Avoid lateral movement between flange surfaces during assembly.

NOTE: Use standard hardware;
torque spec. chart unless
otherwise noted.



Tighten nut so there is
approximately 1/16" clearance
between arm (Ref. No. 31) and
rod guide (Ref. No. 28).

NOTE: After installing the mower
onto the tractor, adjust the PTO
as described in the Operator's Manual.

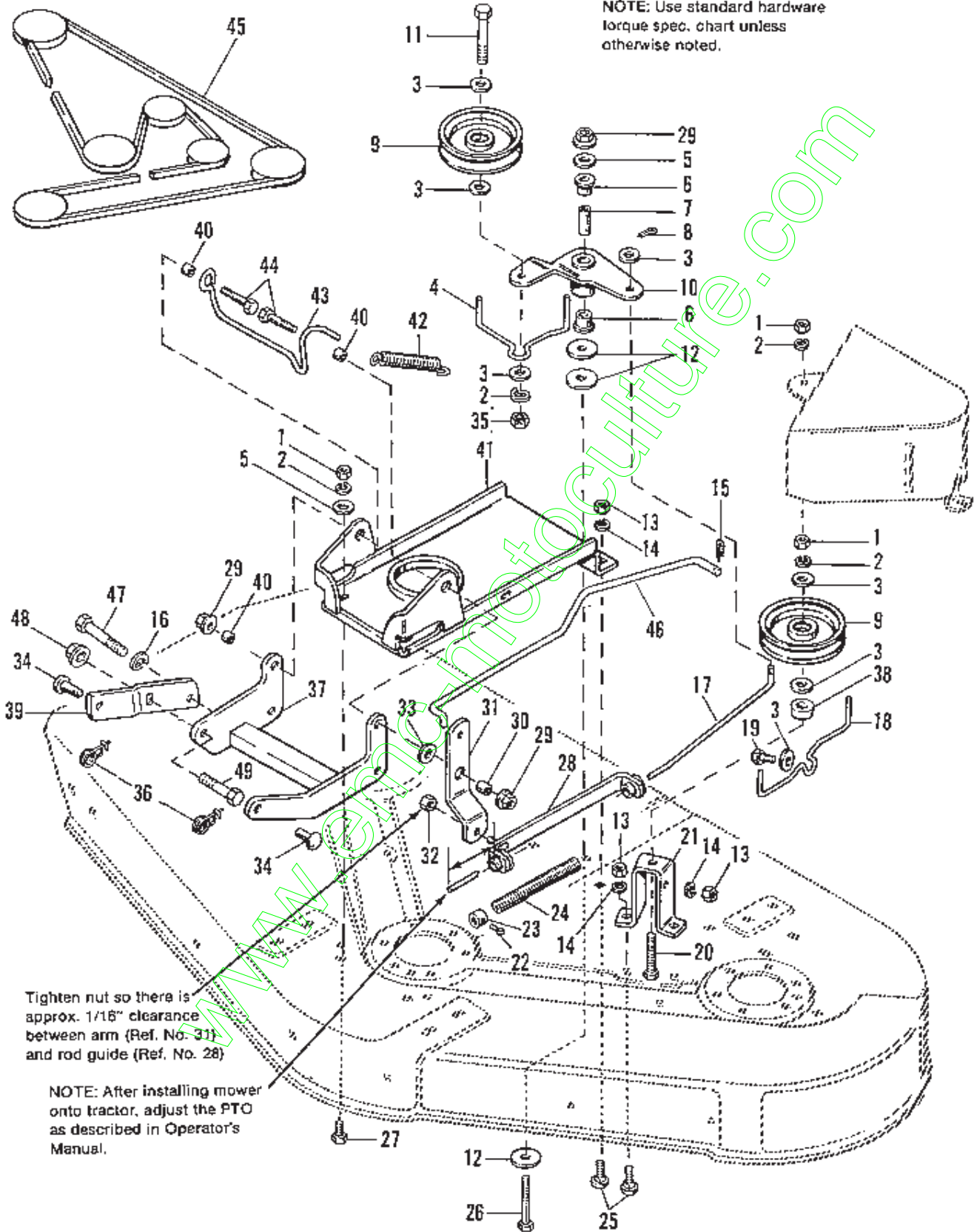
Early Models

Ref. No.	Part No.	Qty.	Description
1	916950	8	NUT, Hex, 3/8-16
2	916965	8	LOCKWASHER, 3/8
3	917642	8	WASHER, Plain, 5/16
4	1665758	1	STOP, Belt
5	917378	5	WASHER, Plain, 3/8
6	1663114	2	BUSHING
7	1657242	1	SPACER
8	918447	1	PIN, Cotter, 3/32 x 3/4
9	171247	2	PULLEY, Idler
10	1665635	1	LEVER ASSY., Clutch
11	921766	1	CAPSCREW, Hex, 3/8-16 x 2-1/4
12	924356	2	WASHER, Special
13	917372	5	NUT, Hex, 5/16-18
14	917356	5	LOCKWASHER, 5/16
15	918196	2	PIN, Quick, 1-7/8
16	167032	1	STOP, Belt
17	1668041	1	ROD, Clutch, Mower
18	1669259	1	STOP, Belt
19	921333	1	CAPSCREW, Hex, 5/16-18 x 1
20	929116	1	CAPSCREW, Hex, 3/8-16 x 2
21	1665649	1	SUPPORT, Idler
22	928804	1	SETScrew, Sq. Hd., 1/4-20 x 3/8
23	8191022	1	COLLAR, Set
24	163103	1	SPRING
25	920562	4	BOLT, Carriage, 5/16-18 x 3/4
26	923938	1	CAPSCREW, 3/8-16 x 3-1/2
27	921965	2	CAPSCREW, Hex, 3/8-16 x 3/4
28	108662	1	GUIDE ASSY., Rod
29	930645	2	NUT, Hex, Flange, 3/8-16
30	1665699	1	SPACER
31	1665624	1	ARM, Pivot
32	923362	1	LOCKNUT, Hex, 5/16-18
33	919387	1	WASHER, Plain, 3/8
34	156306	2	PIN
35	928352	2	LOCKNUT, Flange, Whiz, 3/8-16
36	176012	2	PIN, Safety
37	**1668845	1	ARM ASSY., Rocker
	*1685192	1	ARM ASSY., Rocker
38	921210	2	CAPSCREW, Hex, 3/8-16 x 1
39	**1668843	1	ARM, Rocker
	*1665629	1	ARM, Rocker
40	118335	3	SPACER
41	1665647	1	SUPPORT ASSY.
42	159159	1	SPRING, Tension
43	1668378	1	ROD, Brake
44	921971	2	CAPSCREW, Hex, 3/8-16 x 1-3/4
45	1668066	1	V-BELT, Mower Drive
46	1665748	1	ROD, Clutch, Tractor P.T.O.
47	**921212	1	CAPSCREW, Hex Hd., 7/16-14 x 1-1/2
48	**930649	1	NUT, Hex, Whizlock, 7/16-14
49	**920677	1	CAPSCREW, Hex Hd., 7/16-14 x 1-1/4
50	**918199	1	LOCKWASHER, 7/16

*Early Models. If part no. 1685192 is ordered, you will receive all parts necessary to install new style rocker arm assembly. (See art work, later models show elongated hole.)

**Later Models. (See artwork, later models show elongated hole.)

NOTE: Use standard hardware torque spec. chart unless otherwise noted.



Tighten nut so there is approx. 1/16" clearance between arm (Ref. No. 31) and rod guide (Ref. No. 28)

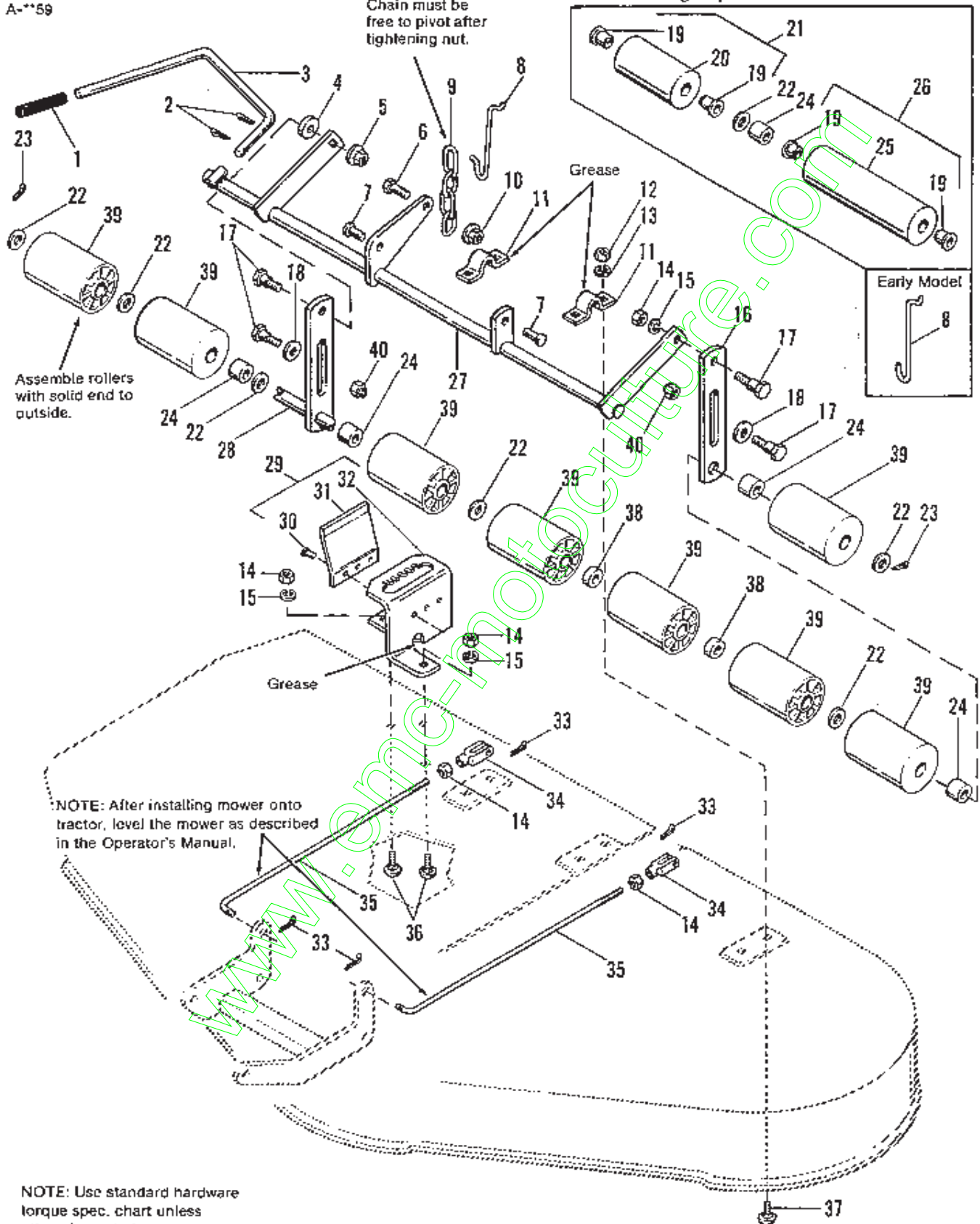
NOTE: After installing mower onto tractor, adjust the PTO as described in Operator's Manual.

Ref. No.	Part No.	Qty.	Description
1	916950	4	NUT, Hex, 3/8-16
2	916965	4	LOCKWASHER, 3/8
3	917642	7	WASHER, Plain, 5/16
4	1669306	1	STOP, Belt
5	917378	3	WASHER, Plain, 3/8
6	1663114	2	BUSHING
7	1667242	1	SPACER
8	918447	1	PIN, Cotter, 3/32 x 3/4
9	171247	2	PULLEY, Idler
10	1665635	1	LEVER ASSY., Clutch
11	921971	3	CAPSCREW, 3/8-16 x 1-3/4
12	924356	3	WASHER, Special
13	917372	5	NUT, Hex, 5/16-18
14	917356	5	LOCKWASHER, 5/16
15	918196	1	PIN, Quick, 1-7/8
16	918199	1	LOCKWASHER, 7/16
17	1668041	1	ROD, Clutch, Mower
18	1669259	1	STOP, Belt
19	921333	1	CAPSCREW, Hex, 5/16-18 x 1
20	929116	1	CAPSCREW, Hex, 3/8-16 x 2
21	1665649	1	SUPPORT, Idler
22	928804	1	SETSCREW, Sq. Hd., 1/4-20 x 3/8
23	8191022	1	COLLAR, Set
24	1668282	1	SPRING
25	920562	4	BOLT, Carriage, 5/16-18 x 3/4
26	928957	1	CAPSCREW, 3/8-16 x 2-3/4
27	921965	2	CAPSCREW, Hex, 3/8-16 x 3/4
28	1668278	1	GUIDE ASSY., Rod
29	930645	3	NUT, Hex, Flange, 3/8-16
30	1665699	1	SPACER
31	1665624	1	ARM, Pivot
32	928698	1	NUT, Jam, Etr. Lock, 5/16-18
33	919387	1	WASHER, Plain, 5/8
34	156306	2	PIN
35	917421	1	NUT, Jam, 3/8-16
36	176012	2	PIN, Safety
37	1668845	1	ARM ASSY., Rocker
38	174870	1	SPACER
39	1668843	1	ARM, Rocker
40	118335	3	SPACER
41	1665647	1	SUPPORT ASSY.
42	159159	1	SPRING, Tension
43	1668378	1	ROD, Brake
44	921971	2	CAPSCREW, Hex, 3/8-16 x 1-3/4
45	1688066	1	V-BELT, Mower Drive
46	1669160	1	ROD, Clutch, Tractor P.T.O.
47	921212	1	CAPSCREW, Hex Hd., 7/16-14 x 1-1/2
48	930649	1	NUT, Flange, Whizlock, 7/16-14
49	920677	1	CAPSCREW, Hex Hd., 7/16-14 x 1-1/4

A-59

Chain must be free to pivot after tightening nut.

Early Model is equipped with roller & bushing assy's.



NOTE: Use standard hardware torque spec. chart unless otherwise noted.

Ref. No.	Part No.	Qty.	Description
1	176933	1	GRIP
2	918452	2	PIN, Cotter, 1/8 x 1
3	1656412	1	LEVER, Control
4	922755	1	WASHER, Plain, 13/32
5	929352	1	LOCKNUT, Hex, Flange, Whiz, 3/8-16
6	921333	1	CAPSCREW, Hex, 5/16-18 x 1
7	923087	2	PIN, Clevis
*** 8	1685243	1	ROD, Lift (Later Models)
	1685219	1	ROD, Lift (Early Models)
9	1656835	1	CHAIN, Lift
10	935048	1	LOCKNUT, Flange, 5/16-18
11	1665374	2	STRAP
12	917372	4	NUT, Hex, 5/16-18
13	917356	4	LOCKWASHER, 5/16
14	916950	8	NUT, Hex, 3/8-16
15	916965	6	LOCKWASHER, 3/8
16	1603263	1	BAR, Roller
17	1665693	4	BOLT, Shoulder, 3/8-16
18	918430	2	WASHER, Plain, 7/16
19	*108419	10	BUSHING
**20		2	ROLLER, Small (Not serviced w/o bushings) (See Ref. No. 21)
21	1668513	2	ROLLER ASSY., Small (Includes Bushings)
22	919387	6	WASHER, 25/32 x 1-1/4 (Qty. 11 used on mowers with roller and bushing assy.'s as in Ref. Nos. 21 & 26)
23	918458	2	PIN, Cotter, 3/16 x 1
24	1602946	4	SPACER (QTY. 6 used on mowers with roller and bushing assy.'s as in Ref. Nos. 21 & 26)
**25		3	ROLLER, Large (Not service w/o bushings)
26	*1608398	3	ROLLER ASSY., Large (Includes Bushings)
27	1685217	1	ARM ASSY., Mower
28	**1668814	1	SHAFT ASSY., Roller
	*1657405	1	SHAFT ASSY., Roller
29	**1668828	1	QUADRANT ASSY.
30	910542	3	RIVET
31	1663222	1	SPRING
32	**1668829	1	QUADRANT
33	918447	4	PIN, Cotter, 3/32 x 3/4
34	108157	2	CLEVIS, Adj.
35	1665417	2	ROD, Adj.
36	922110	3	BOLT, Carriage, 3/8-16 x 3/4
37	920562	4	BOLT, Carriage, 5/16-18 x 3/4
38	*172914	2	SPACER
39	**1668513	8	ROLLERS
40	919439	2	NUT, Esna Locknut, 3/8-16

*Used only on models which use rollers of various lengths and are equipped with two bushings for each rollers.

**Used only on models where all rollers are the same length and do not have bushings set in roller ends.

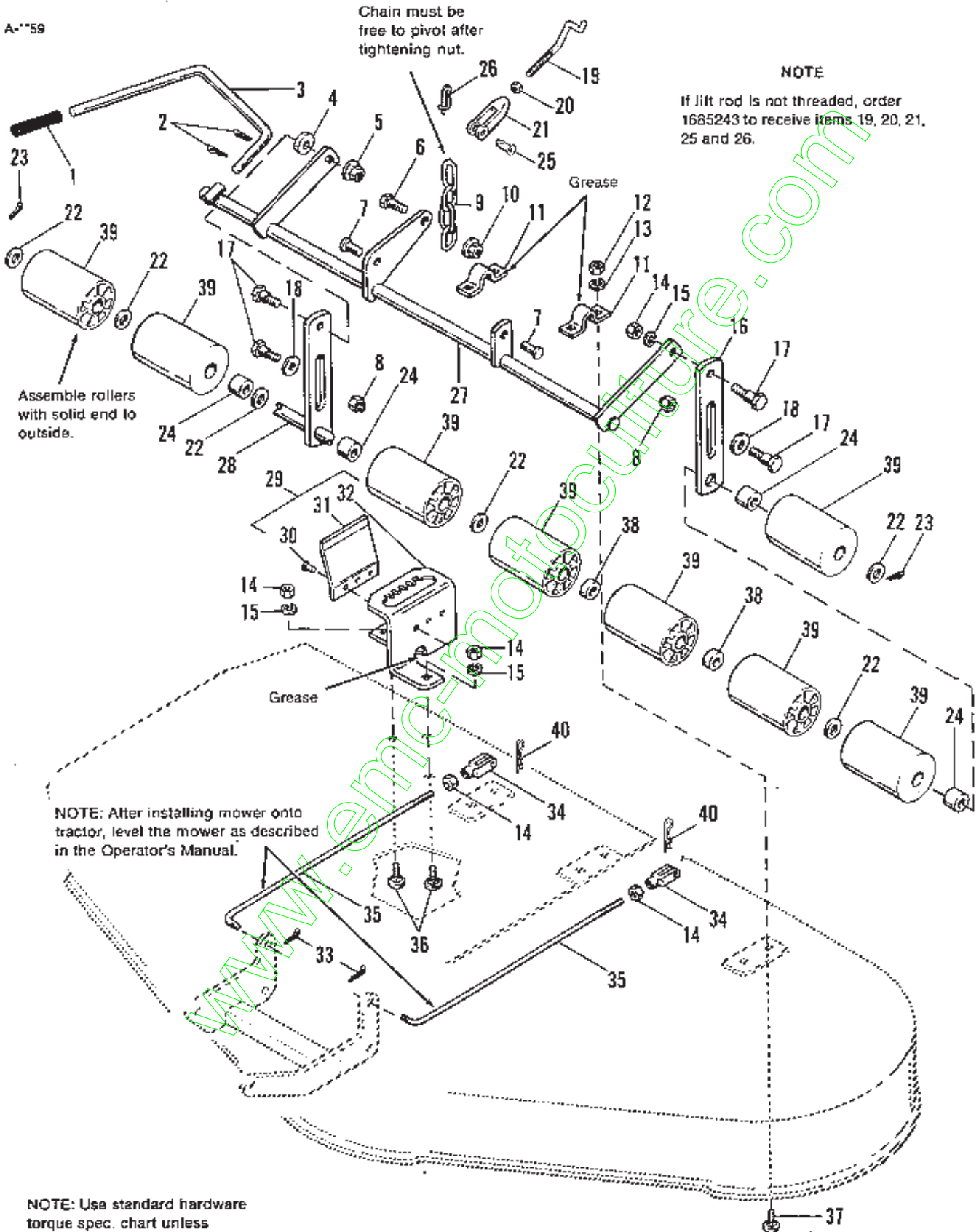
***If tractor lift handle (Ref. No. 35 on page 4) is straight, order Part No. 1685219. If not, order Part No. 1685243.

A-59

Chain must be free to pivot after tightening nut.

NOTE

If lift rod is not threaded, order 1685243 to receive items 19, 20, 21, 25 and 26.



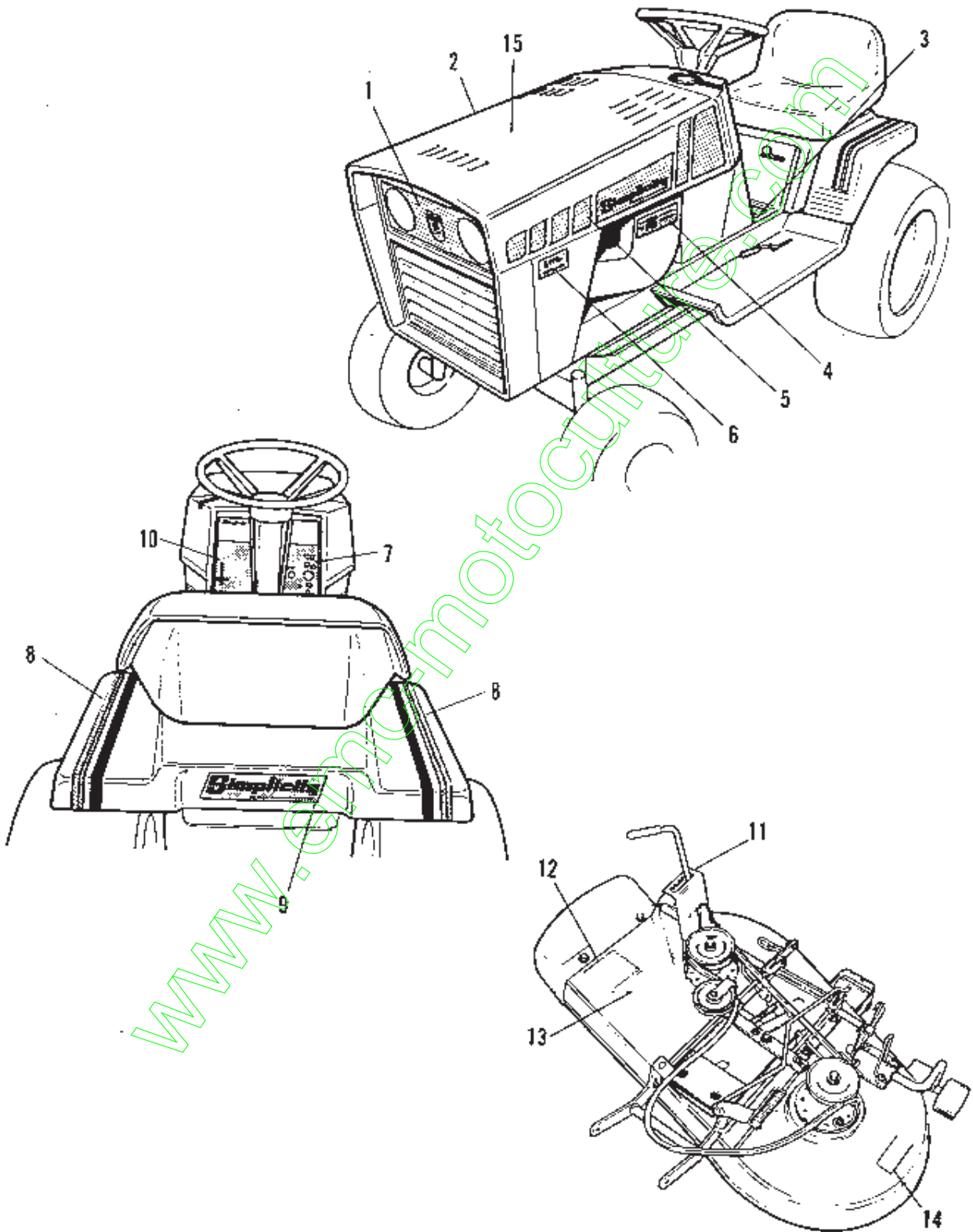
Assemble rollers with solid end to outside.

Grease

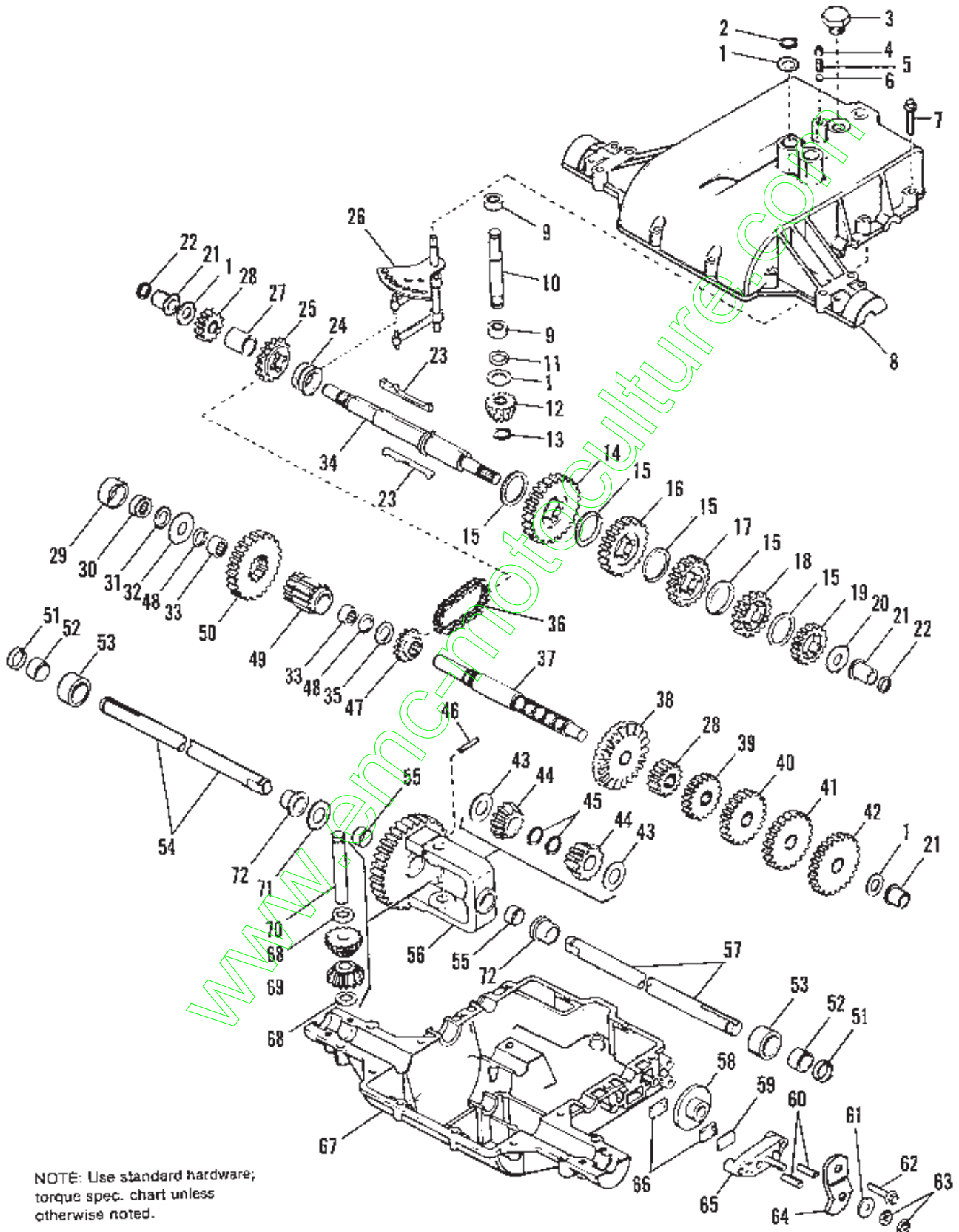
NOTE: After installing mower onto tractor, level the mower as described in the Operator's Manual.

NOTE: Use standard hardware torque spec. chart unless otherwise noted.

Ref. No.	Part No.	Qty.	Description
1	176933	1	GRIP
2	918452	2	PIN, Cotter, 1/8 x 1
3	1656412	1	LEVER, Control
4	922755	1	WASHER, Plain, 13/32
5	928352	1	LOCKNUT, Hex, Flange, Whiz, 3/8-16
6	921333	1	CAPSCREW, Hex, 5/16-18 x 1
7	923087	2	PIN, Clevis
8	919439	2	NUT, Esna Locknut, 3/8-16
9	1669241	1	CHAIN, Lift
10	930548	1	LOCKNUT, Flange, 5/16-18
11	1665374	2	STRAP
12	917372	4	NUT, Hex, 5/16-18
13	917356	4	LOCKWASHER, 5/16
14	916950	6	NUT, Hex, 3/8-16
15	916965	4	LOCKWASHER, 3/8
16	1603263	1	BAR, Roller
17	1665693	4	BOLT, Shoulder, 3/8-16
18	924361	2	WASHER, Plain, 1/2
19	1673576	1	ROD, Lift
20	920161	1	NUT
21	1673575	1	CLEVIS
22	919387	6	WASHER, 25/32 x 1-1/4
23	918458	2	PIN, Cotter, 3/16 x 1
24	1602946	4	SPACER
25	1673574	1	PIN
26	176012	1	CLIP
27	1685217	1	ARM ASSY., Mower
28	1668814	1	SHAFT ASSY, Roller
29	1668828	1	QUADRANT ASSY. (Incl. Ref. No. 30, 31, 32)
30	910542	3	RIVET
31	1663222	1	SPRING
32		1	QUADRANT (Order Ref. No. 29)
33	918447	2	PIN, Cotter, 3/32 x 3/4
34	108157	2	CLEVIS, Adj.
35	1665417	2	ROD, Adj.
36	922110	3	BOLT, Carriage, 3/8-16 x 3/4
37	920562	4	BOLT, Carriage, 5/16-18 x 3/4
38	172914	2	SPACER
39	1668513	8	ROLLERS
40	106781	2	CLIP, Hairpin



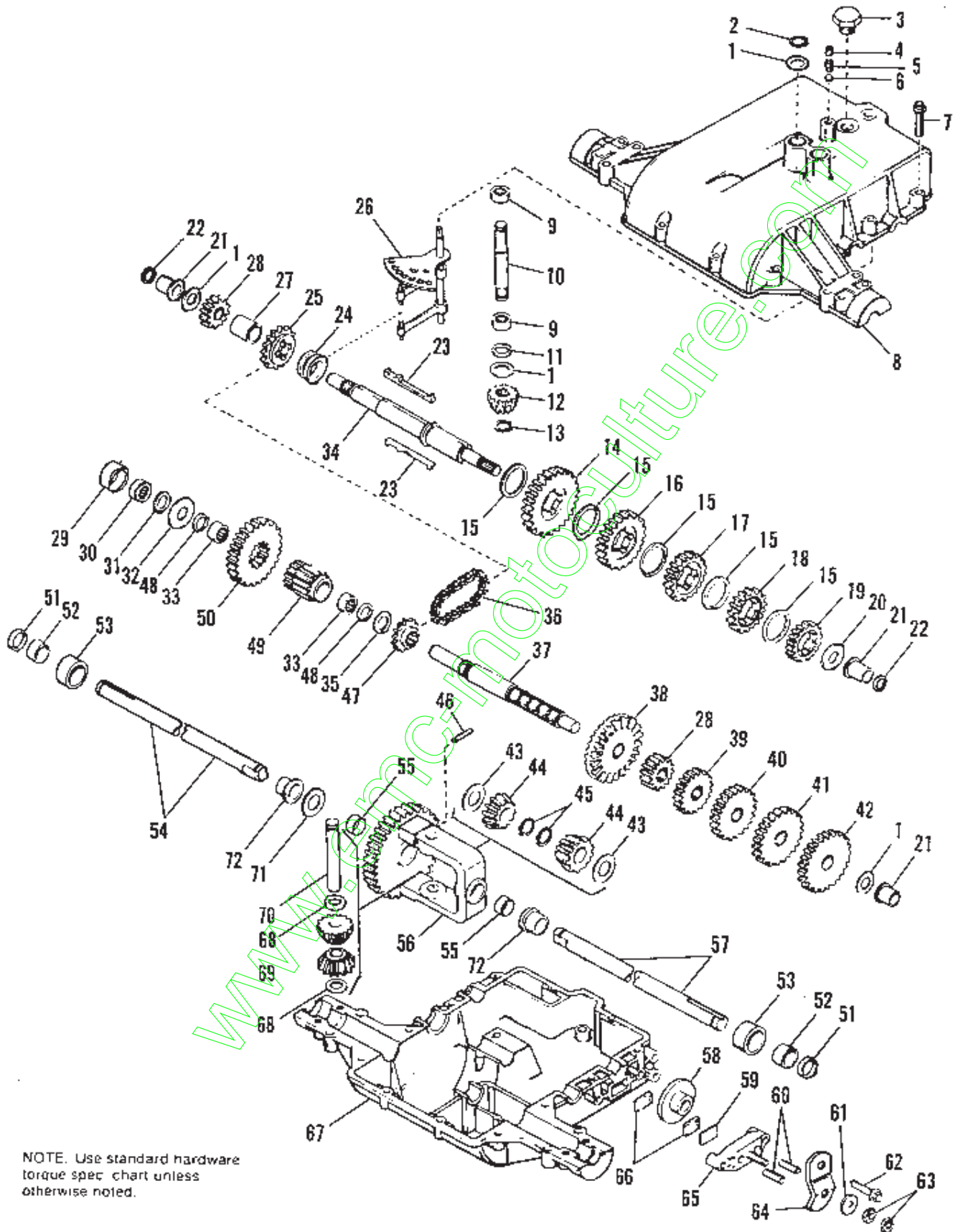
Ret. No.	Part No.	Qty.	Description
1	1668194	1	DECAL, Grille (1690629 only)
	1669367	1	DECAL, Grille (1690684, 1690849, 1690879, 1690915 & 1690934 only)
2	1668195	1	DECAL, Hood, R.H.
3	1668198	1	DECAL, Shift (1690629 only)
	1671963	1	DECAL, Shift (1690684, 1690849, 1690879, 1690915 & 1690934 only)
4	1668197	2	DECAL, Engine (1690629 only)
	1669359	2	DECAL, Engine (1690684, 1690849, 1690879 only)
	1669577	2	DECAL, Engine (1690915 & 1690934 only)
5	1668196	1	DECAL, Hood, L.H.
6	1668203	2	DECAL, 5116 Special (1690629, 1690684, only)
	1673486	2	DECAL, 5216 Special (1690849, 1690879, 1690915 & 1690934 only)
7	1668199	1	DECAL, Dash, R.H. (1690629 only)
	1669368	1	DECAL, Dash, R.H. (1690684, 1690849, 1690879)
8	1668201	2	DECAL, Seat Deck
9	1668202	1	DECAL, <i>Simplicity</i>
10	1668200	1	DECAL, Dash, L.H.
11	1656855	1	DECAL, Mower Height
12	1672692	1	DECAL, Warning
13		1	DECAL, OPEI (Not Serviced)
14	1672691	1	DECAL, Danger
15	1668221	1	DECAL, Drive Belts (Inside Hood) (1690629, 1690684, only)
	1673499	1	DECAL, Drive Belts (Inside Hood) (1690849, 1690879, 1690915 & 1690934 only)



Ref. No.	Part No.	Qty.	Description
1	780072	4	WASHER, Thrust
2	792035	1	RING, Retaining
3	792074	1	PLUG
4	792078	1	SETSCREW, 3/8-16 x 3/8
5	792079	1	SPRING
6	792077	1	BALL, Steel
7	792073	17	SCREW, Hex Hd., Thd. Form., 1/4-20 x 1-1/4
8	772077A	1	COVER, Transaxle
9	780086	2	BEARING, Needle
10	776135	1	SHAFT, Input
11	792001	1	RING, Square Cut
12	778113A	1	PINION, Bevel, Input
13	788040	1	RING, Retaining
14	778125	1	GEAR, Spur (35 Teeth)
15	780108	5	WASHER, Thrust
16	778124	1	GEAR, Spur (30 Teeth)
17	778123	1	GEAR, Spur (25 Teeth)
18	778122	1	GEAR, Spur (22 Teeth)
19	778121A	1	GEAR, Spur (20 Teeth)
20	780109	1	WASHER, Thrust
21	780105	3	BUSHING, Flanged
22	788051	2	RING, Square Cut
23	792089A	2	KEY
24	784266	1	COLLAR, Shift
25	786083	1	SPROCKET (18 Teeth)
26	784290	1	ROD & FORK ASSY., Shift
27	786074	1	SPACER
28	778136	2	GEAR, Spur (15 Teeth)
29	786075	1	SPACER
30	780111	1	BEARING, Needle
31	788052	1	RING, Square Cut
32	780113	1	WASHER, Flat
33	780112	2	BEARING, Needle
34	776184	1	SHAFT, Brake
35	780114	1	WASHER, Flat
36	786081	1	CHAIN, Roller (No. 41 chain, 24 links)

NOTE: Parts Ref. 37-72 continued on the following page.

NOTE: See an authorized Tecumseh dealer for parts and service;
Peerless parts are not available thru *Simplicity*.

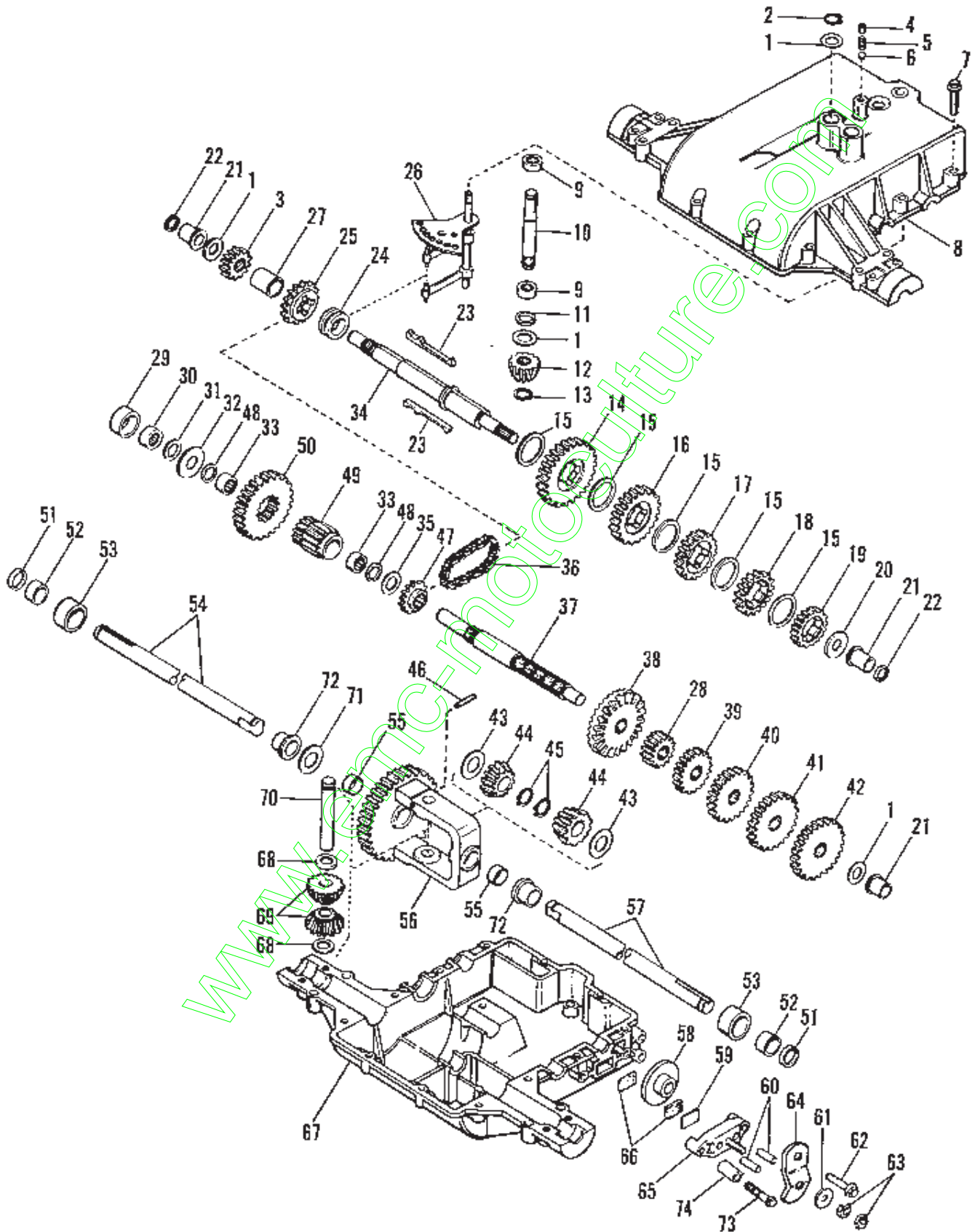


NOTE. Use standard hardware torque spec. chart unless otherwise noted.

Ref. No.	Part No.	Qty.	Description
37	776181	1	SHAFT, Counter
38	778137	1	GEAR, Bevel (42 Teeth)
39	778126	1	GEAR, Spur (20 Teeth)
40	778127	1	GEAR, Spur (25 Teeth)
41	778128	1	GEAR, Spur (28 Teeth)
42	778129	1	GEAR, Spur (30 Teeth)
43	780001	2	WASHER, Thrust
44	778067	2	GEAR, Bevel
45	792018	2	RING, Retaining
46	792040	1	PIN, Roll
47	786082	1	SPROCKET (9 Teeth)
48	788053	2	RING, Square Cut
49	778138	1	PINION, Output
50	778139	1	GEAR, Output
51	788042	2	SEAL, Oil
52	530105	2	BEARING, Needle
53	786084	2	SPACER
54	774413	1	AXLE (12-1/8" long)
55	780064	2	BUSHING
56	778053A	1	GEAR ASSY., Diff. (Includes 2 of No. 55)
57	774400A	1	AXLE (15-1/8" long)
58	790003	1	DISC, Brake
59	790007	1	PLATE, Brake Pad
60	786026	2	PIN, Dowel
61	792076	1	WASHER, Flat
62	792073	1	SCREW, Hex Hd., Thd., Form., 1/4-20 x 1-1/4
63	792075	2	LOCKNUT, Hex, 5/16-24
64	790019	1	LEVER, Brake
65	790005	1	HOLDER, Brake Pad
66	790006	2	PAD, Brake
67	790069A	1	CASE, Transaxle
68	780065	2	WASHER, Thrust
69	778068	2	PINION, Bevel
70	786034	1	PIN, Drive
71	780001	1	WASHER
72	780118	2	BUSHING, Flanged

NOTE: Parts Ref. No. 1-36 found on preceding page.

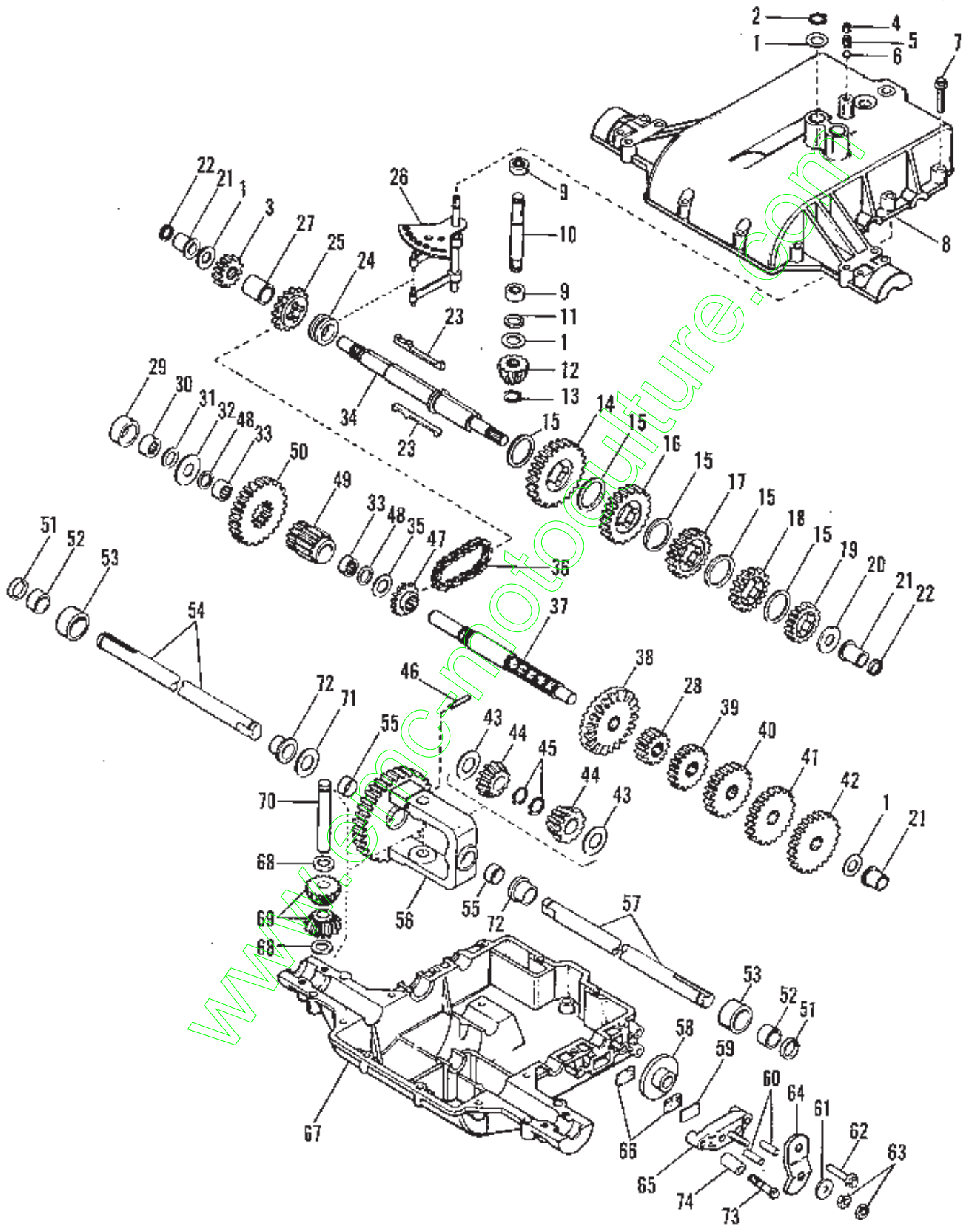
NOTE: See an authorized Tecumseh dealer for parts and service;
Peerless parts are not available thru *Simplicity*.



Ref. No.	Part No.	Qty.	Description
1	780072	4	WASHER, Thrust
2	792035	1	RING, Retaining
3	778136	1	GEAR, Spur (15 Teeth)
4	792078	1	SCREW, Set, 3/8-16 x 3/8
5	792079	1	SPRING
6	792077	1	BALL, Steel
7	792073	17	SCREW, Hex Hd., Thd. Form., 1/4-20 x 1-1/4
8	772077A	1	COVER, Transaxle
9	780086	2	BEARING, Needle
10	776135	1	SHAFT, Input
11	792001	1	RING, Square Cut
12	778113A	1	BEVEL PINION, Input
13	788040	1	RING, Retaining
14	778146	1	GEAR, Spur (37 Teeth)
15	780108	5	WASHER, Thrust
16	778124A	1	GEAR, Spur (30 Teeth)
17	778123A	1	GEAR, Spur (26 Teeth)
18	778122A	1	GEAR, Spur (22 Teeth)
19	778121A	1	GEAR, Spur (20 Teeth)
20	780109	1	WASHER, Thrust
21	780105	3	BUSHING, Flanged
22	788051	2	RING, Square Cut
23	792089A	2	KEY
24	784266	1	COLLAR, Shift
25	786083	1	SPROCKET (18 Teeth)
26	784290	1	ROD & FORK ASSY., Shift
27	786074	1	SPACER
28	778145	1	GEAR, Spur (12 Teeth)
29	786075	1	SPACER
30	780111	1	BEARING, Needle
31	788052	1	RING, Square Cut
32	780113	1	WASHER, Flat
33	780112	2	BEARING, Needle
34	776184	1	SHAFT, Brake
35	780114	1	WASHER, Flat
36	786081	1	CHAIN, Roller (No. 41 Chain, 24 links)
37	776181	1	SHAFT, Counter

NOTE: Parts Ref. No. 38-74 found on following page.

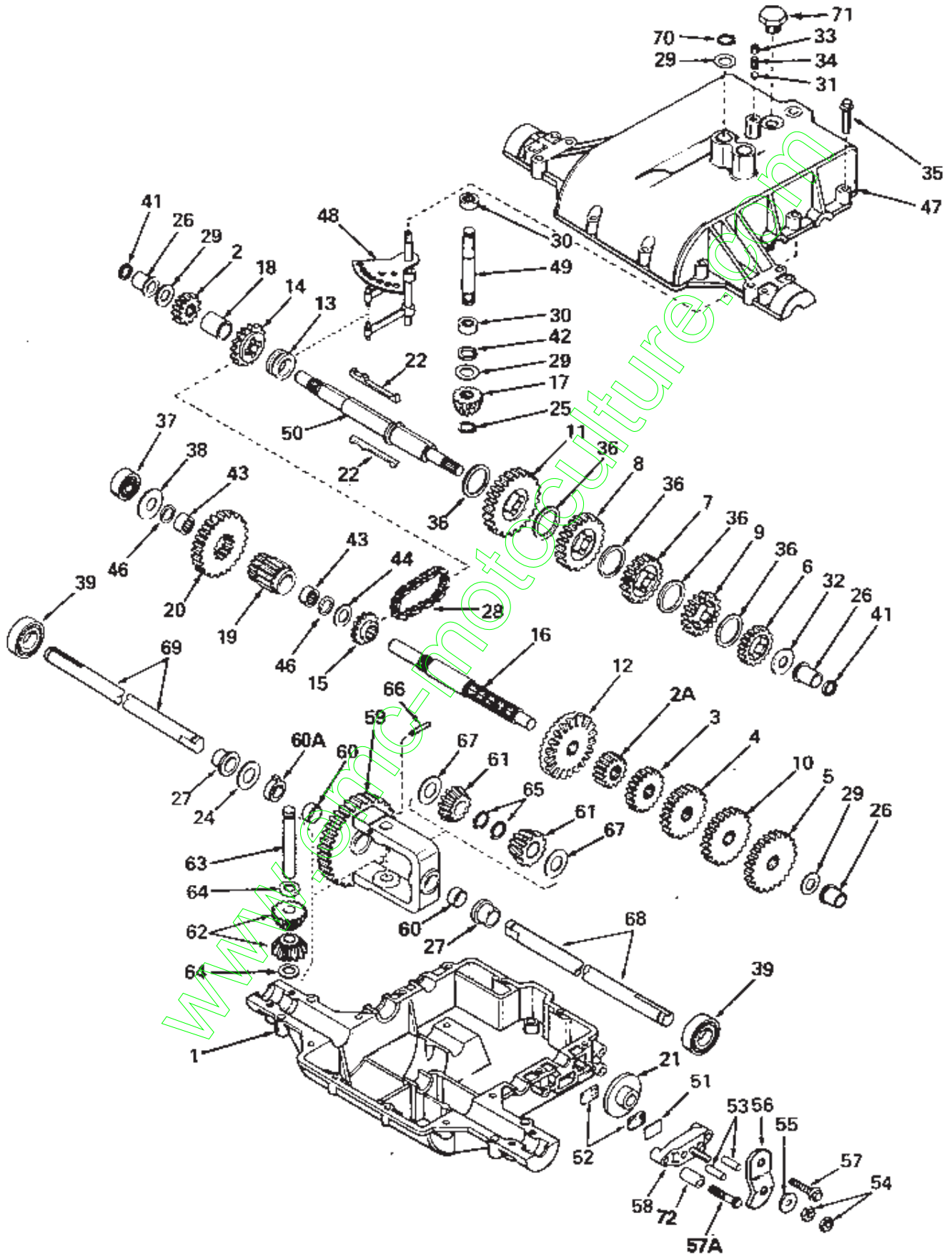
NOTE: See an authorized Tecumseh dealer for parts and service;
Peerless parts are not available through *Simplicity*.



Ref. No.	Part No.	Qty.	Description
38	778137	1	GEAR, Bevel (42 Teeth)
39	778126A	1	GEAR, Spur (20 Teeth)
40	778127A	1	GEAR, Spur (25 Teeth)
41	778128A	1	GEAR, Spur (28 Teeth)
42	778129A	1	GEAR, Spur (30 Teeth)
43	780001	2	WASHER, Thrust
44	778067	2	GEAR, Bevel
45	792018	2	RING, Retaining
46	792040	1	PIN, Roll
47	786082	1	SPROCKET (9 Teeth)
48	786053	2	RING, Square Cut
49	778136	1	PINION, Output
50	778139	1	GEAR, Output
51	788042	2	SEAL, Oil
52	530105	2	BEARING, Needle
53	786084	2	SPACER
54	774413	1	AXLE (12-1/8" long)
55	780064	2	BUSHING
56	778053A	1	GEAR ASSY., Differential (Incl. 2 of No. 60)
57	774400A	1	AXLE (15-1/8" long)
58	790003	1	BRAKE, Disc
59	790007	1	PLATE, Brake Pad
60	786026	2	PIN, Dowel
61	792076	1	WASHER, Flat
62	792073	1	SCREW, Hex Hd., Thd. Form., 1/4-20 x 1-1/4
63	792075	2	LOCKNUT, 5/16-24
64	790019	1	LEVER, Brake
65	790005	1	HOLDER, Brake Pad
66	790006	2	PAD, Brake
67	770071	1	CASE, Transaxle
68	780065	2	WASHER, Thrust
69	778068	2	PINION, Bevel
70	786034	1	PIN, Drive
71	780001	1	WASHER
72	780118	2	BUSHING, Flanged
73	792085	1	SCREW, Hex Hd., Thd. Form., 1/4-20 x 2-1/4
74	786066	1	SPACER

NOTE: Part Ref. No. 1-37 found on preceding page.

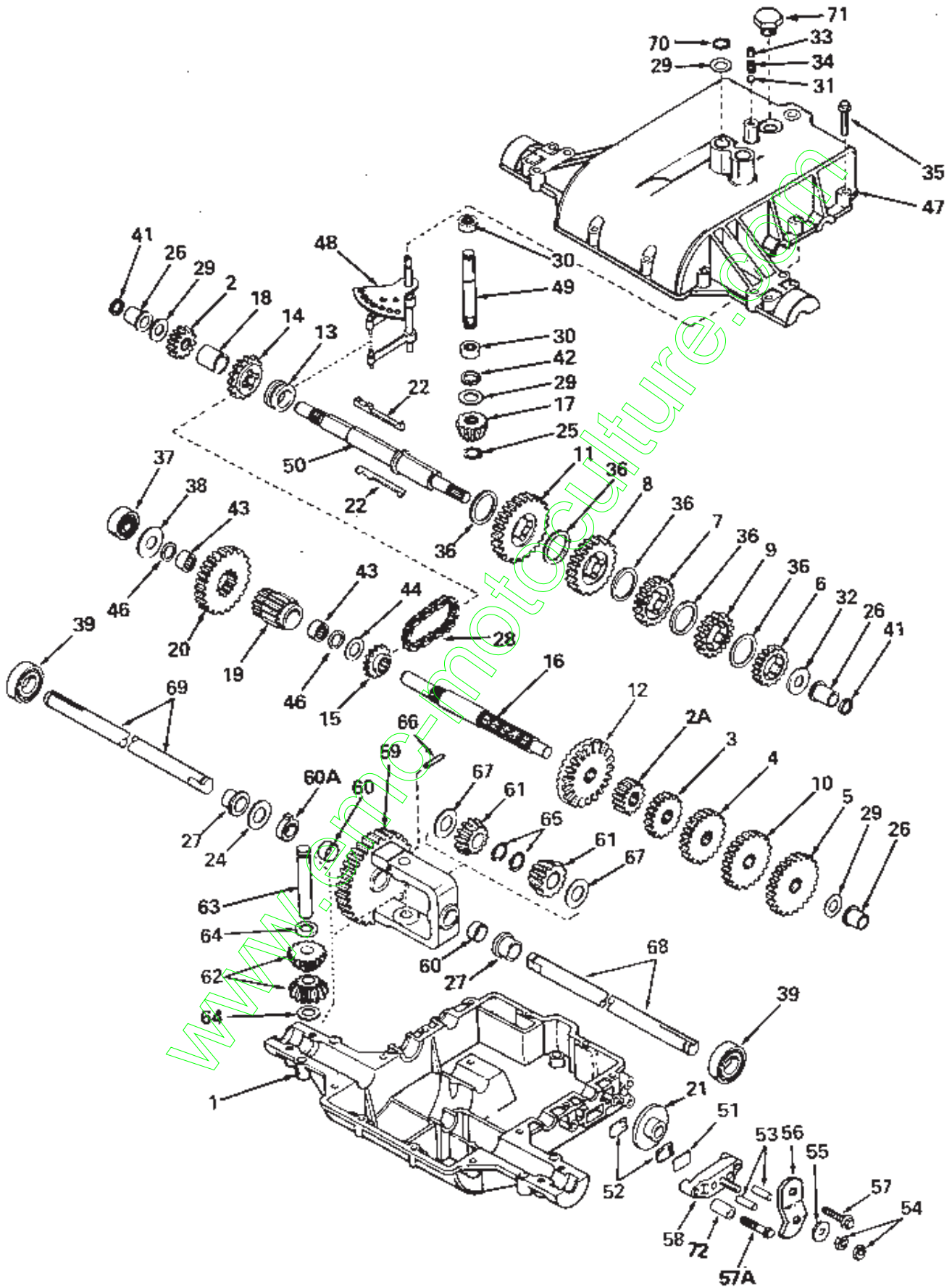
NOTE: See an authorized Tecumseh dealer for parts and service;
Peerless parts are not available through *Simplicity*.



Ref. No.	Part No.	Qty.	Description
1	770071A	1	CASE, Transaxle
2	778136	1	GEAR, Spur (15 teeth)
2A	778145	1	GEAR, Spur (12 teeth)
3	778126A	1	GEAR, Spur (20 teeth)
4	778127A	1	GEAR, Spur (25 teeth)
5	778129A	1	GEAR, Spur (30 teeth)
6	778121A	1	GEAR, Spur (20 teeth)
7	778123A	1	GEAR, Spur (25 teeth)
8	778124A	1	GEAR, Spur (30 teeth)
9	778122A	1	GEAR, Spur (22 teeth)
10	778128A	1	GEAR, Spur (28 teeth)
11	778146A	1	GEAR, Spur (37 teeth)
12	778137A	1	GEAR, Bevel (42 teeth)
13	784266	1	COLLAR, Shift
14	786060	1	SPROCKET (14 teeth)
15	786061	1	SPROCKET (10 teeth)
16	776204	1	SHAFT, Counter
17	778113A	1	BEVEL PINION, Input
18	786074	1	SPACER
19	778138	1	PINION, Output
20	778139	1	GEAR, Output
21	790003	1	DISK, Brake
22	792089A	2	KEY
24	780001	1	WASHER
25	788040	1	RING, Retaining
26	780105A	3	BUSHING, Flanged
27	780118A	2	BUSHING, Flanged
28	786062	1	CHAIN, Roller (No. 41 chain, 22 links)
29	780072	4	WASHER, Thrust
30	780122	2	BEARING, Thrust
31	792077	1	BALL, Steel
32	780109	1	WASHER, Thrust
33	792078	1	SCREW, Set, 3/8-16 x 3/8
34	792079	1	SPRING
35	792073	17	SCREW, Hex Hd., Thd. Form., 1/4-20 x 1-1/4
36	780108	5	WASHER, Thrust
37	780121	2	BEARING, Ball
38	780113	1	WASHER, Flat
39	780119	2	BEARING, Ball
41	788051	2	RING, Square Cut
42	788057	1	RING, Square Cut
43	780112	2	BEARING, Needle
44	780114	1	WASHER, Flat
46	788053	2	RING, Square Cut
47	772082	1	COVER, Transaxle
48	784290	1	ROD & FORK ASSY., Shift
49	776135	1	SHAFT, Input

Reference Nos. 50 - 72 are found on the following page.

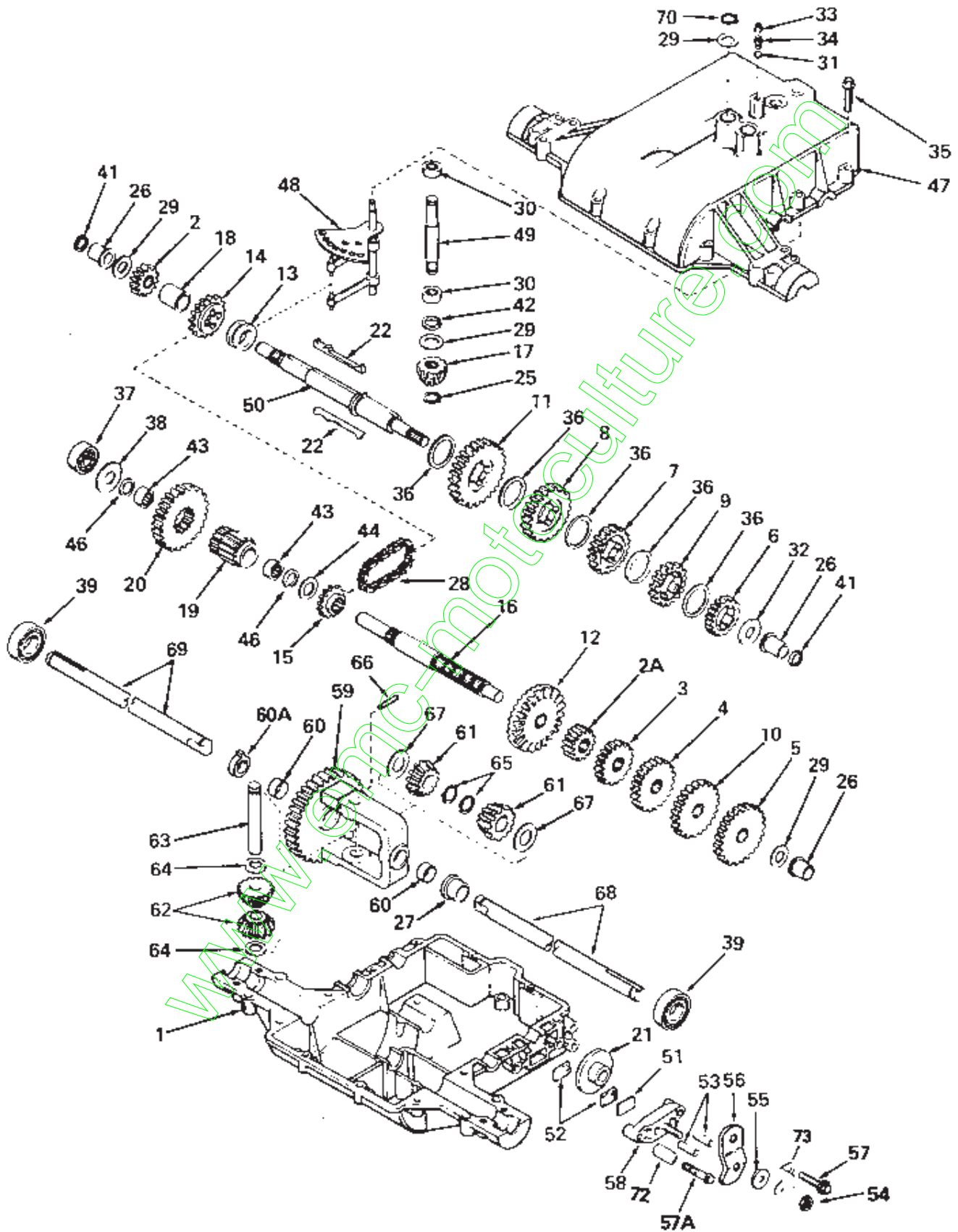
NOTE: See an authorized Tecumseh dealer for parts and service; Peerless parts are not available thru *Simplicity*.



Ref. No.	Part No.	Qty.	Description
50	776184A	1	SHAFT, Brake
51	790007	1	PLATE, Brake Pad
52	790006	2	PAD, Brake
53	786026	2	PIN, Dowel
54	792075	2	LOCKNUT, 5/16-24
55	792076	1	WASHER, Flat
56	790019	1	LEVER, Brake
57	792073	1	SCREW, Hex Hd., Thd., Form., 1/4-20 x 1-1/4
57A	792085	1	SCREW, Hex Hd., Thd., Form., 1/4-20 x 2-1/4
58	790005	1	HOLDER, Brake Pad
59	778053A	1	GEAR ASSY., Differential (Incl. 2 of No. 60)
60	780064	2	BUSHING
60A	780120	1	BUSHING
61	778132	2	GEAR, Bevel
62	778131	2	PINION, Bevel
63	786034	1	PIN, Drive
64	780065	2	WASHER, Thrust
65	792018	2	RING, Retaining
66	792040	1	PIN, Roll
67	780001	2	WASHER, Thrust
68	774517	1	AXLE (15-1/2" long)
69	774516	1	AXLE (12-1/2" long)
70	792035	1	RING, Retaining
71	792074	1	PLUG, Hex Hd., 9/16-18 Thread
72	786066	1	SPACER

Reference Nos. 1-49 are found on the preceding page.

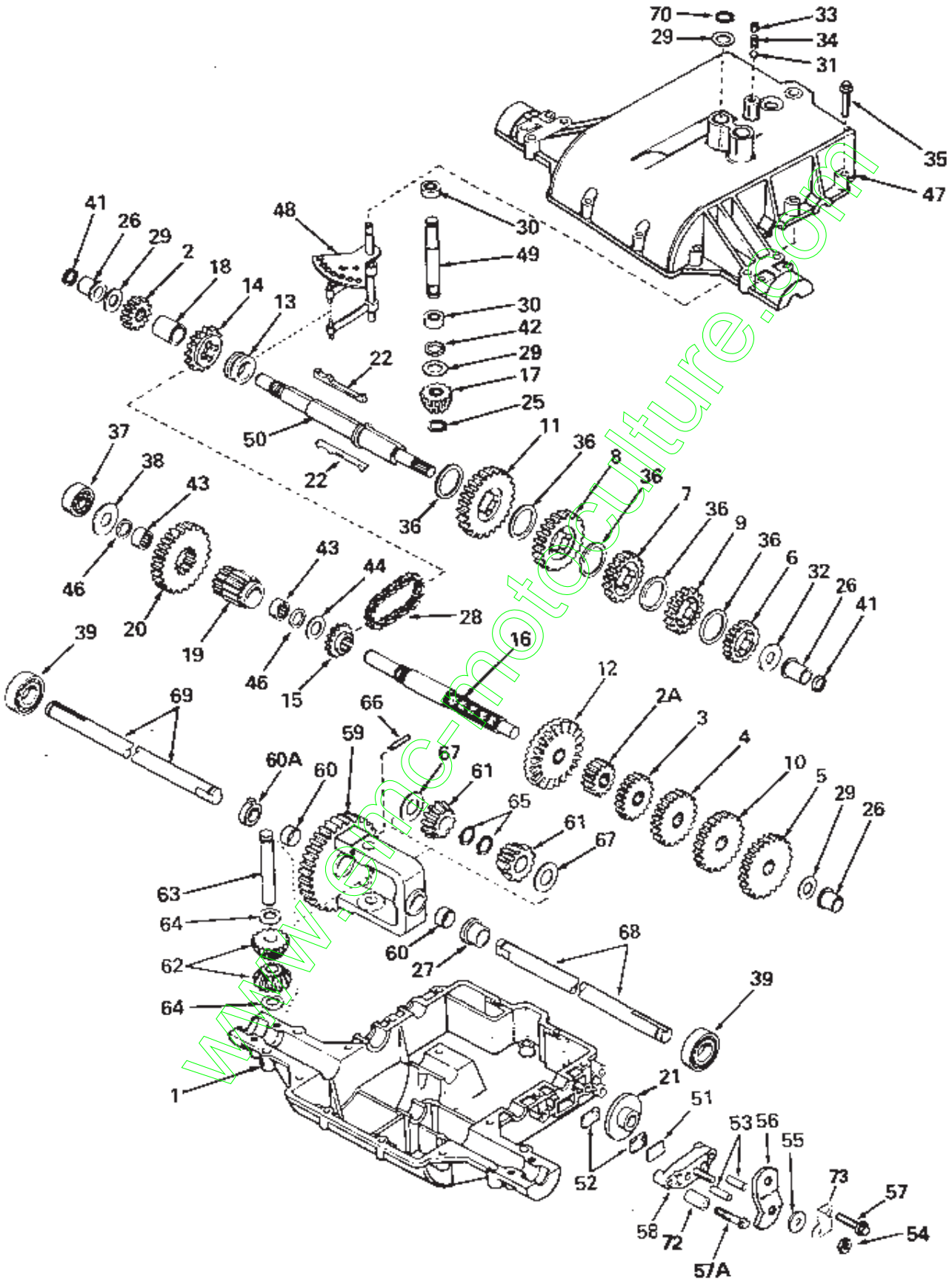
NOTE: See an authorized Tecumseh dealer for parts and service; Peerless parts are not available thru *Simplicity*.



Ref. No.	Part No.	Qty.	Description
1	770071A	1	CASE, Transaxle
2	778136	1	GEAR, Spur (15 teeth)
2A	778145	1	GEAR, Spur (12 teeth)
3	778126A	1	GEAR, Spur (20 teeth)
4	778127A	1	GEAR, Spur (25 teeth)
5	778129A	1	GEAR, Spur (30 teeth)
6	778121A	1	GEAR, Spur (20 teeth)
7	778123A	1	GEAR, Spur (25 teeth)
8	778124A	1	GEAR, Spur (30 teeth)
9	778122A	1	GEAR, Spur (22 teeth)
10	778128A	1	GEAR, Spur (28 teeth)
11	778146A	1	GEAR, Spur (37 teeth)
12	778137A	1	GEAR, Bevel (42 teeth)
13	784266	1	COLLAR, Shift
14	786060	1	SPROCKET (14 teeth)
15	786061	1	SPROCKET (10 teeth)
16	776204	1	SHAFT, Counter
17	778113A	1	BEVEL PINION, Input
18	786074	1	SPACER
19	778138	1	PINION, Output
20	778139	1	GEAR, Output
21	790003	1	DISK, Brake
22	792089A	2	KEY
25	788040	1	RING, Retaining
26	780105A	3	BUSHING, Flanged
27	780118A	1	BUSHING, Flanged
28	786062	1	CHAIN, Roller (No. 41 chain, 22 links)
29	780072	4	WASHER, Thrust
30	780122	2	BEARING, Needle
31	790277	1	BALL, Steel
32	780109	1	WASHER, Thrust
33	792078	1	SCREW, Set, 3/8-16 x 3/8
34	792079	1	SPRING
35	792073	17	SCREW, Hex Hd. thread forming, 1/4-20 x 1-1/4
36	780106	5	WASHER, Thrust
37	780121	1	BEARING, Ball
38	780113	1	WASHER, Flat
39	780119	2	BEARING, Ball
41	788051	2	SEAL, Square Cut
42	788057	1	SEAL, Square Cut
43	780112	2	BEARING, Needle
44	780114	1	WASHER, Flat
46	788053	2	SEAL, Square Cut
47	772082	1	COVER, Transaxle
48	784290	1	ROD & FORK ASSY., Shift
49	776135	1	SHAFT, Input
50	776184A	1	SHAFT, Brake

Reference Nos. 51 - 73 found on the following page.

NOTE: See an authorized Tecumseh dealer for parts and service; Peerless parts are not available thru *Simplicity*.






Ref. No.	Part No.	Qty.	Description
51	790007	1	PLATE, Brake Pad
52	790006	2	PAD, Brake
53	786026	2	PIN, Dowel
54	792075	1	LOCKNUT, 5/16-24
55	792076	1	WASHER, Flat
56	790019	1	LEVER, Brake
57	792073	1	SCREW, Hex Hd. thread forming, 1/4-20 x 1-1/4
57A	792084	1	SCREW, Hex Hd., thread forming, 1/4-20 x 2-1/4
58	790025	1	HOLDER, Brake Pad
59	778059A	1	GEAR ASSY., Differential (Incl. 2 of No. 60)
60	780084	2	BUSHING
60A	780120	1	BUSHING
61	778132	2	GEAR, Bevel
62	778131	2	PINION, Bevel
63	786034	1	PIN, Drive
64	780065	2	WASHER, Thrust
65	792018	2	RING, Retaining
66	792040	1	PIN, Roll
67	780001	2	WASHER, Thrust
68	774517	1	AXLE (15-1/2" long)
69	774516	1	AXLE (12-1/2" long)
70	792035	1	RING, Retaining
72	786066	1	SPACER
73	786086	1	BRACKET

Reference Nos. 1 - 50 are found on the preceding page.

NOTE: See an authorized Tecumseh dealer for parts and service; Peerless parts are not available thru *Simplicity*.

TORQUE SPECIFICATIONS FOR STANDARD MACHINE HARDWARE

TOLERANCE $\pm 20\%$

SIZE	SAE GRADE #2 		SAE GRADE #5 		SAE GRADE #8 	
8-32	19	In. Lbs.	30	In. Lbs.	41	In. Lbs.
8-36	20	"	31	"	43	"
10-24	27	"	43	"	60	"
10-32	31	"	49	"	68	"
1/4-20	66	"	8	Ft. Lbs	12	Ft. Lbs.
1/4-28	76	"	10	"	14	"
5/16-18	11	Ft. Lbs	17	"	25	"
5/16-24	12	"	19	"	25	"
3/8-16	20	"	30	"	45	"
3/8-24	23	"	35	"	50	"
7/16-14	30	"	50	"	70	"
7/16-20	35	"	55	"	80	"
1/2-13	50	"	75	"	110	"
1/2-20	55	"	90	"	120	"
9/16-12	65	"	110	"	150	"
9/16-18	75	"	120	"	170	"
5/8-11	90	"	150	"	220	"
5/8-18	100	"	180	"	240	"
3/4-10	160	"	260	"	386	"
3/4-16	180	"	300	"	420	"
7/8-9	140	"	400	"	600	"
7/8-14	155	"	440	"	660	"
1-8	220	"	580	"	900	"
1-12	240	"	640	"	1,000	"

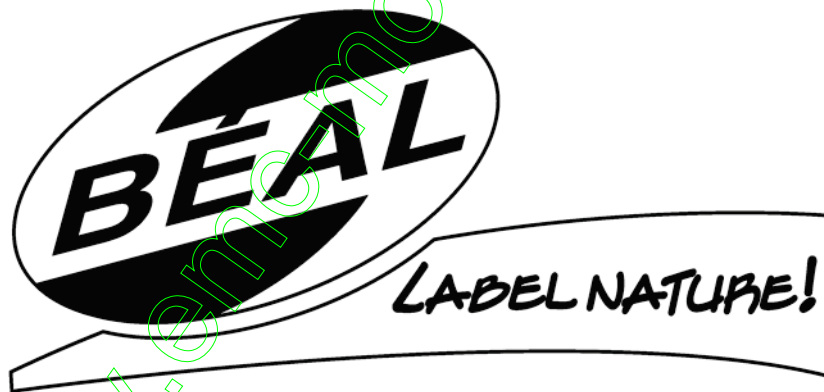
NOTE:

1. These torque values are to be used for all *Simplicity* hardware excluding: locknuts, self-tapping screws, thread forming screws, sheet metal screws and socket head setscrews.
2. Recommended seating torque values for locknuts:
 - a. For prevailing torque locknuts - use 65% of grade 5 torques.
 - b. For flange whizlock nuts (and screws) - use 135% of grade 5 torques.
3. Unless otherwise noted on assembly drawings all torque values must meet this specification.

BOLT HEAD MARKING

S.A.E. GRADE:





**Yvan Béal - 21, av. de l'Agriculture - B.P 16
Z.I. du Brézet - 63014 Clermont-Ferrand Cedex 2
Tél: 04 73 91 93 51 - Télécopie : 04 73 90 23 11
www.yvanbeal.fr - E-mail : info@yvanbeal.fr
R.C.S. B 304 973 886 - S.A.S. au capital de 612 000 €**