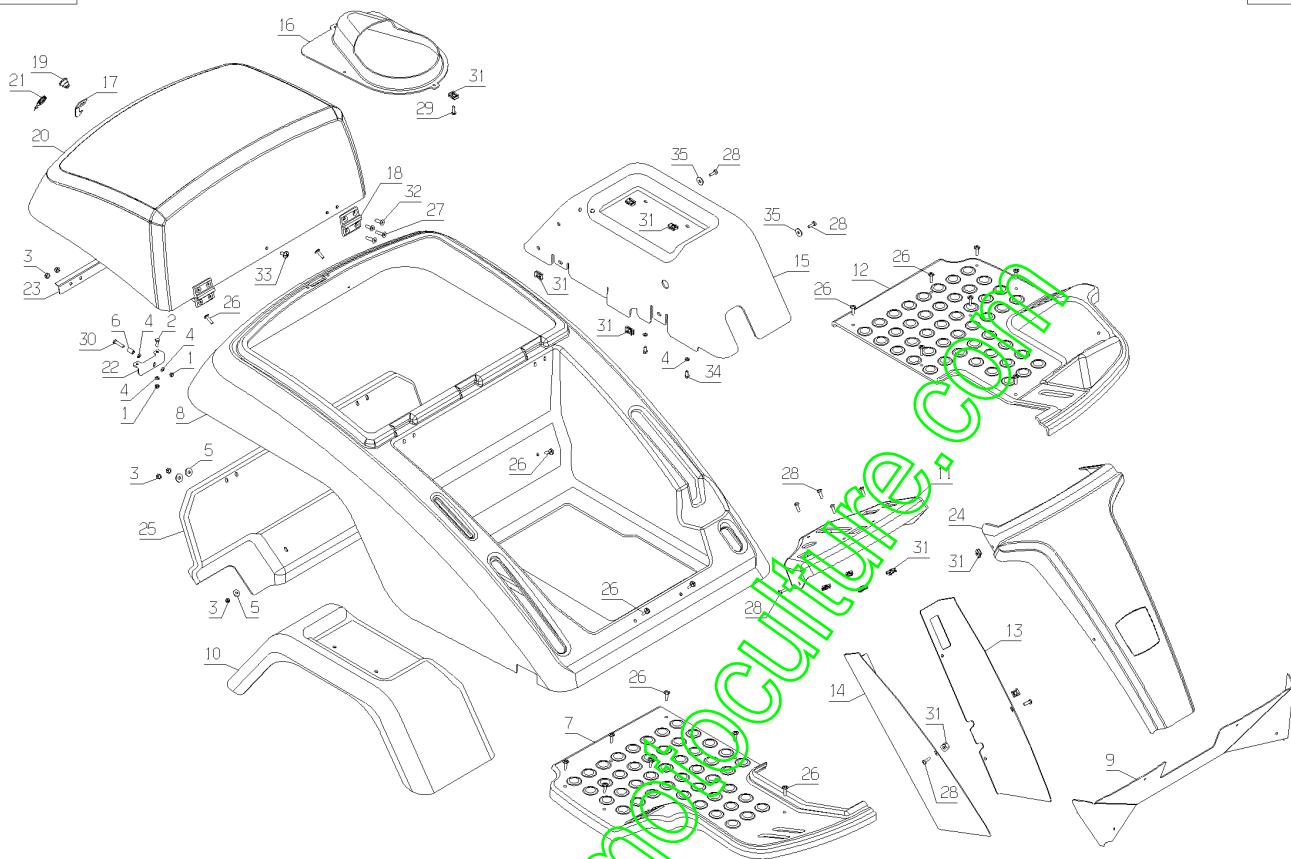


Repère	Référence	Désignation	Quantité
1	1607	ECROU AUTOFREIN HM5	1,000
2	2009	VIS M5 X 16	1,000
3	5232	ECROU AUTOFREIN HM6	1,000
4	20564	RDELLE PLATE 5,5	1,000
5	21270	RDLE PL.B 6,4	1,000
6	24846	ENTRETOISE 15X8X5,2	1,000
7	32388	REPOSE PIED DROIT	1,000
8	32391	CAPOT CENTRAL	1,000
9	32434	CACHE AVANT	1,000
10	32509	GARDE BOUE DROIT	1,000
11	35523	PLANCHE DE BORD	1,000
12	35707	REPOSE PIED GAUCHE	1,000
13	35769	CACHE CONSOLE G	1,000
14	35770	CACHE CONSOLE DROIT	1,000
15	35832	GARDE BOUE GAUCHE	1,000
16	35915	CHEMINEE ASPI	1,000
17	35981	CAME VERROU	1,000
18	36014	CHARNIERE	1,000
19	36015	VERROU	1,000
20	36085	CAPOT MOTEUR CPLT	1,000
21	36154	RESSORT VERROU	1,000
22	36156	GACHE VERROU	1,000
23	36159	LIAISON CHARNIERE	1,000
24	36199	CACHE CONSOLE CPLT	1,000
25	36653	CACHE POUSSIERE	1,000
26	36823	VIS RL M5-20	1,000
27	37060	VIS FHC/90 M6	1,000
28	71104	VIS CB Z M5-16,4.8	1,000
29	71128	VIS TF CR M5X16	1,000
30	71135	VIS M 5X25	1,000
31	71403	ECROU A PINCER M5	1,000
32	71381	VIS F HC M6-20,8.8	1,000
33	71338	VIS RL M6-15,6.8	1,000
34	71284	VIS H M5-12	1,000
35	71096	RDLE PL.B 6,4	1,000

A85

PL01348



85 A5/V2

03/2009

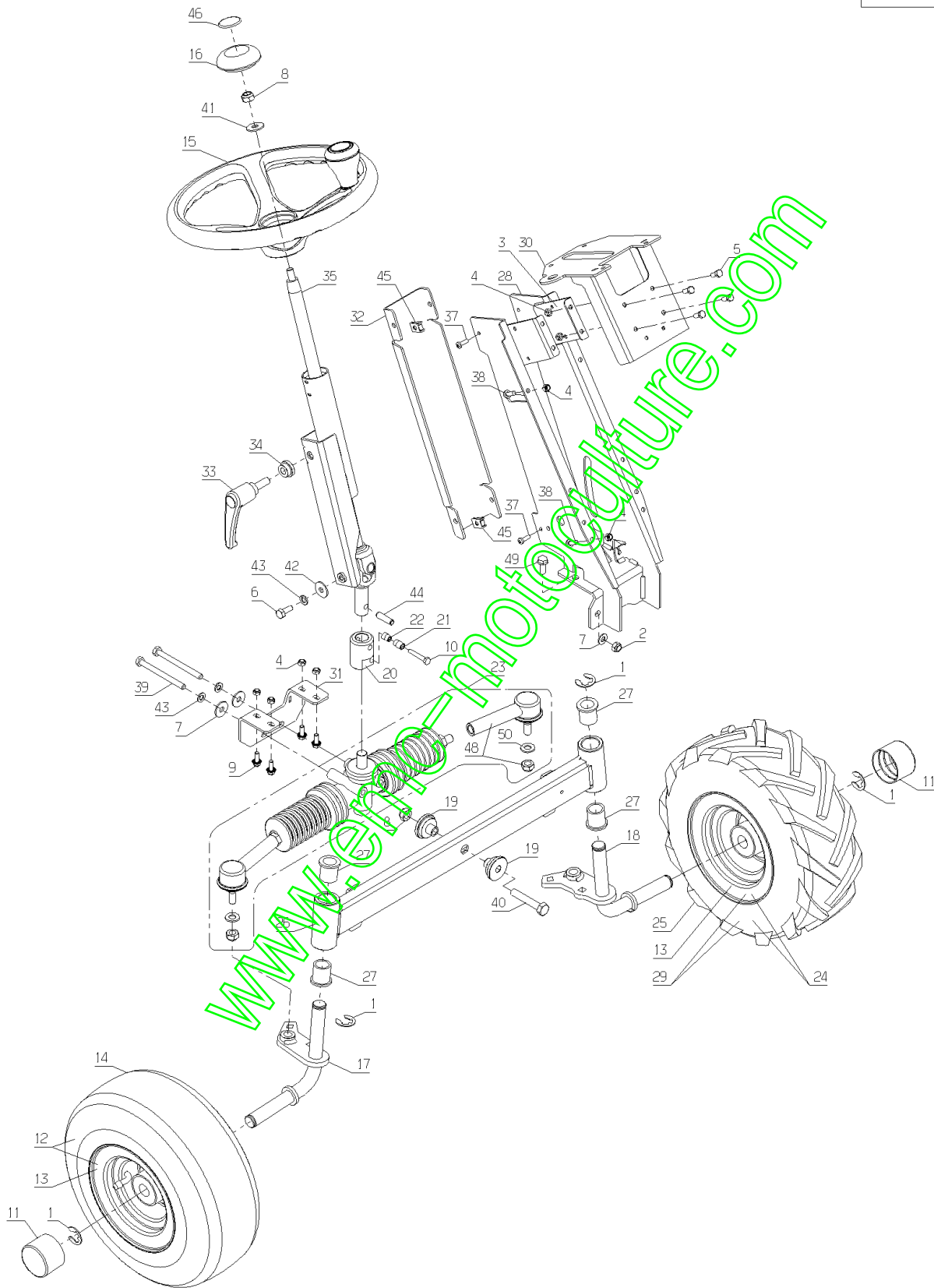
www.enc-motoculture.com

Repère	Référence	Désignation	Quantité
1	1513	CIRCLIPS DIN 6799	1,000
2	2021	ECROU AUTOFREIN HM8	1,000
3	2235	RDLE PL.A 6,4	1,000
4	5232	ECROU AUTOFREIN HM6	1,000
5	5334	VIS A TETE HEXAGON.	1,000
6	7334	BOULON M8 X 20	1,000
7	7335	RDLE PL.A 8,4	1,000
8	9017	ECROU AUTOFR.HM10	1,000
9	37997	VIS H M6-16 8.8 EMB	1,000
10	22456	VIS H M 6X40	1,000
11	25176	CAPUCHON JANTE AV.	1,000
12	28765	ROUE AVANT 13"	1,000
13	28766	JANTE AV.TREL.	1,000
14	28767	PNEU AVANT TREL.	1,000
15	29900	VOLANT DE DIRECTION	1,000
16	29978	CAPUCHON VOLANT	1,000
17	32368	FUSEE CPLTE DROITE	1,000
18	32371	FUSEE CPLTE GAUCHE	1,000
19	32406	BAGUE PIVOT ESSIEU	1,000
20	32407	ACCOUPLÉMENT	1,000
21	32408	BAGUE	1,000
22	32409	BAGUE TARAUDEE	1,000
23	32435	BLOC DE DIRECTION	1,000
24	32498	ROUE AV 13" AGR.D	1,000
25	32499	PNEU 13" AGRAIRE	1,000
26	35261	ESSIEU CPLT	1,000
27	35412	COUSSINET 20/26/30	1,000
28	35578	CONSOLE CPLTE	1,000
29	35777	ROUE AV 13" AGR.G	1,000
30	35812	SUPPORT HAUT SOUDE	1,000
31	35905	PLATINE	1,000
32	35907	CACHE CONSOLE AR	1,000
33	36206	POIGNEE DEBRAYABLE	1,000
34	36237	ENTRETOISE	1,000
35	32375	COLONNE DIRECT.CPLT	1,000
37	71104	VIS CB Z M5-16,4.8	1,000
38	71106	VIS T P1 CR M6X16 D	1,000
39	71199	VIS H M 8X90	1,000
40	71210	VIS HM 10-60,8.8	1,000
41	71238	RDLE PL.A 10,2	1,000
42	71274	RDLE PLATE B8.4	1,000

Repère	Référence	Désignation	Quantité
43	71343	RDLE GROWER	1,000
44	71389	GOUPIL.ELASTI.8X30	1,000
45	71403	ECROU A Pincer M5	1,000
46	25330	BADGE VOLANT ETESIA	1,000
48	34614	ROTULE DE DIRECTION	1,000
49	71413	VIS HM 8-20	1,000
50	21036	RDLE PL. A10,5	1,000

www.emc-motoculture.com

PL01344



85 A1/V3

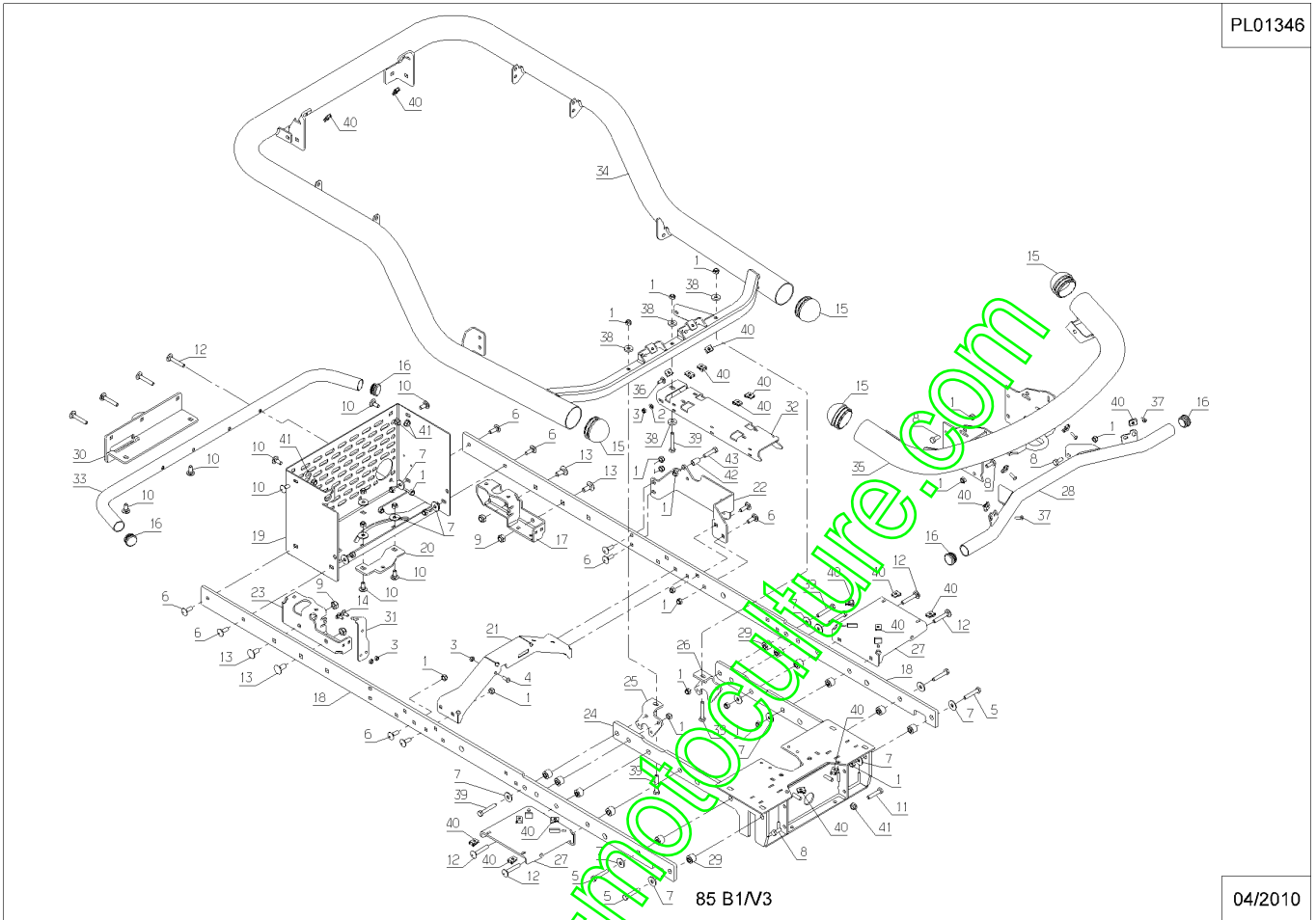
04/2010

Repère	Référence	Désignation	Quantité
1	2021	ECROU AUTOFREIN HM8	1,000
2	2235	RDLE PL.A 6,4	1,000
3	5232	ECROU AUTOFREIN HM6	1,000
4	5334	VIS A TETE HEXAGON.	1,000
5	5340	VIS A TETE HEXAGON.	1,000
6	5347	VIS JAPY	1,000
7	7035	RDLE PL.B 8,4	1,000
8	7334	BOULON M8 X 20	1,000
9	9017	ECROU AUTOFR.HM10	1,000
10	9071	VIS JAPY M 8 X 20	1,000
11	21114	VIS HM 8X40	1,000
12	21513	VIS JAPY M8X50	1,000
13	21559	VIS JAPY M10X25	1,000
14	21608	VIS JAPY M6X16	1,000
15	28056	BOUCHON TUBE D.60	1,000
16	29647	BOUCHON PLAST.D 30	1,000
17	32327	SUPPORT PONT/PLOT G	1,000
18	32358	LONGERON	1,000
19	32360	RENFORT AR	1,000
20	32379	RENFORT INF	1,000
21	32511	TRAVERSE SUPP.SIEGE	1,000
22	32547	SUPPORT CDE HDC	1,000
23	35279	SUPPORT PONT/PLOT D	1,000
24	35326	CHASSIS CENTRAL	1,000
25	35342	SUPPORT PALIER D	1,000
26	35343	SUPPORT PALIER G	1,000
27	35607	SUPPORT MARCHE PIED	1,000
28	35697	PARE-CHOCS AV CPLT	1,000
29	35973	ENTRETOISE	1,000
30	35989	ATTACHE REMORQUE	1,000
31	36037	TOLE CRANTAGE TEND.	1,000
32	36077	SUPPORT CENTRAL	1,000
33	36352	TUBE ARRIERE	1,000
34	36424	CHASSIS ARRIER.VERT	1,000
35	36427	CHASSIS AVANT VERT	1,000
36	71069	VIS J M 6X16	1,000
37	71104	VIS CB Z M5-16,4.8	1,000
38	71126	RDLE PL.8,4 DIN 73	1,000
39	71223	VIS H M8X50-DIN933-	1,000
40	71403	ECROU A PINCER M5	1,000
41	71076	ECROU VERBUS M8-10	1,000

Repère	Référence	Désignation	Quantité
42	42019	ENTRET.12/8,2/19	1,000
43	7038	VIS M8X35	1,000

www.emc-motoculture.com

PL01346



85 B1/V3

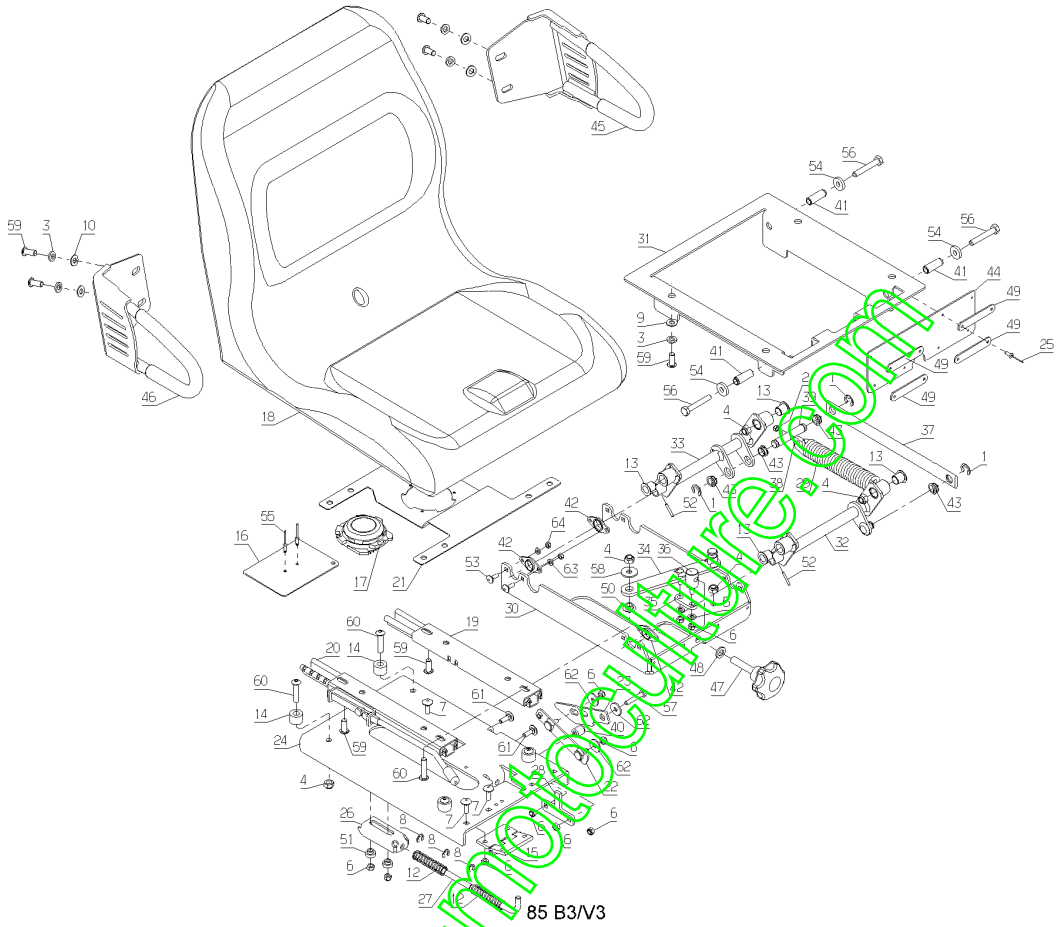
04/2010

Repère	Référence	Désignation	Quantité
1	1559	CIRCLIPS	1,000
2	1607	ECROU AUTOFREIN HM5	1,000
3	2017	RONDELLE GROWER	1,000
4	2021	ECROU AUTOFREIN HM8	1,000
5	2235	RDLE PL.A 6,4	1,000
6	5232	ECROU AUTOFREIN HM6	1,000
7	5496	VIS J M 6X20	1,000
8	5602	ANNEAUX TRUARCS	1,000
9	7335	RDLE PL.A 8,4	1,000
10	20521	RONDELLE L 8N	1,000
12	24609	RESSORT DE RAPPEL	1,000
13	28555	COUSSINET 12/14/15	1,000
14	28296	ENTRETOISE	1,000
15	30418	CHARN.CAPOT CENTRAL	1,000
16	30689	TOLE DIRECT.OPERAT.	1,000
17	30690	CAPTEUR SIEGE	1,000
18	30691	SIEGE CPLT	1,000
19	30714	GLISSIERE GAUCHE	1,000
20	37079	GLISSIERE D.ALLONGE	1,000
21	30718	TOLE CAPTEUR	1,000
22	31329	TRINGLE INF.CPLT	1,000
23	31330	TOLE TRINGLE SUP.	1,000
24	32349	SUPPORT SIEGE	1,000
25	35318	RIV.CLOU D 3.2X13.6	1,000
26	35711	LOQUET	1,000
27	35712	TIGE CDE LOQUET	1,000
28	36186	BUTEE GLISSIERE	1,000
29	36238	RESSORT SIEGE	1,000
30	36241	PLAQUE BASSE	1,000
31	36242	PALQUE HAUTE	1,000
32	36243	BRAS AV AMORTISSEUR	1,000
33	36247	BRAS AR AMORTISSEUR	1,000
34	36251	LEVIER DE REGLAGE	1,000
35	36253	TIGE LEVIER	1,000
36	36254	AXE LEVIER	1,000
37	36256	BARRE DE LIAISON	1,000
38	37264	EMBOUT DE REGLAGE	1,000
39	36260	AXE AR RESSORT	1,000
40	36265	ENTRET.ARTI SIEGE	1,000
41	36268	AXE PIVOT BRAS	1,000
42	36269	PALIER IGUS GFL 16	1,000

Repère	Référence	Désignation	Quantité
43	36270	PALIER CLIPS	1,000
44	36435	SOUFFLET	1,000
45	36867	ACCOUDOIR GAUCHE	1,000
46	36868	ACCOUDOIRS DROIT	1,000
47	36960	BOUTON DE MANOEUVRE	1,000
48	37023	RDLE GTM-1018-020	1,000
49	37031	TOLE SOUFFLET	1,000
50	42530	ENTRETOISE H.D.C.	1,000
51	43054	RLE FIX.TIGE ARR.	1,000
52	71088	GOUPIL.SPI.3X22	1,000
53	71100	VIS J M5-16,8.8	1,000
54	71126	RDLE PL.8,4 DIN 73	1,000
55	71139	RIVET ALU TF 4X11	1,000
56	71223	VIS H M8X50-DIN933-	1,000
57	71259	VIS H M6-35,8.8	1,000
58	71274	RDLE PLATE B8.4	1,000
59	71373	VIS B HC M8-20 ZBL	1,000
60	71438	VIS B HC M8-35 8.8	1,000
61	21608	VIS JAPY M6X16	1,000
62	21270	RDLE PL.B 6,4	1,000
63	5311	RONDELLE EVENT.A5,3	1,000
64	1502	ECROU 6 PANS M5	1,000

www.emc-motoculture.com

PL01353



04/2010

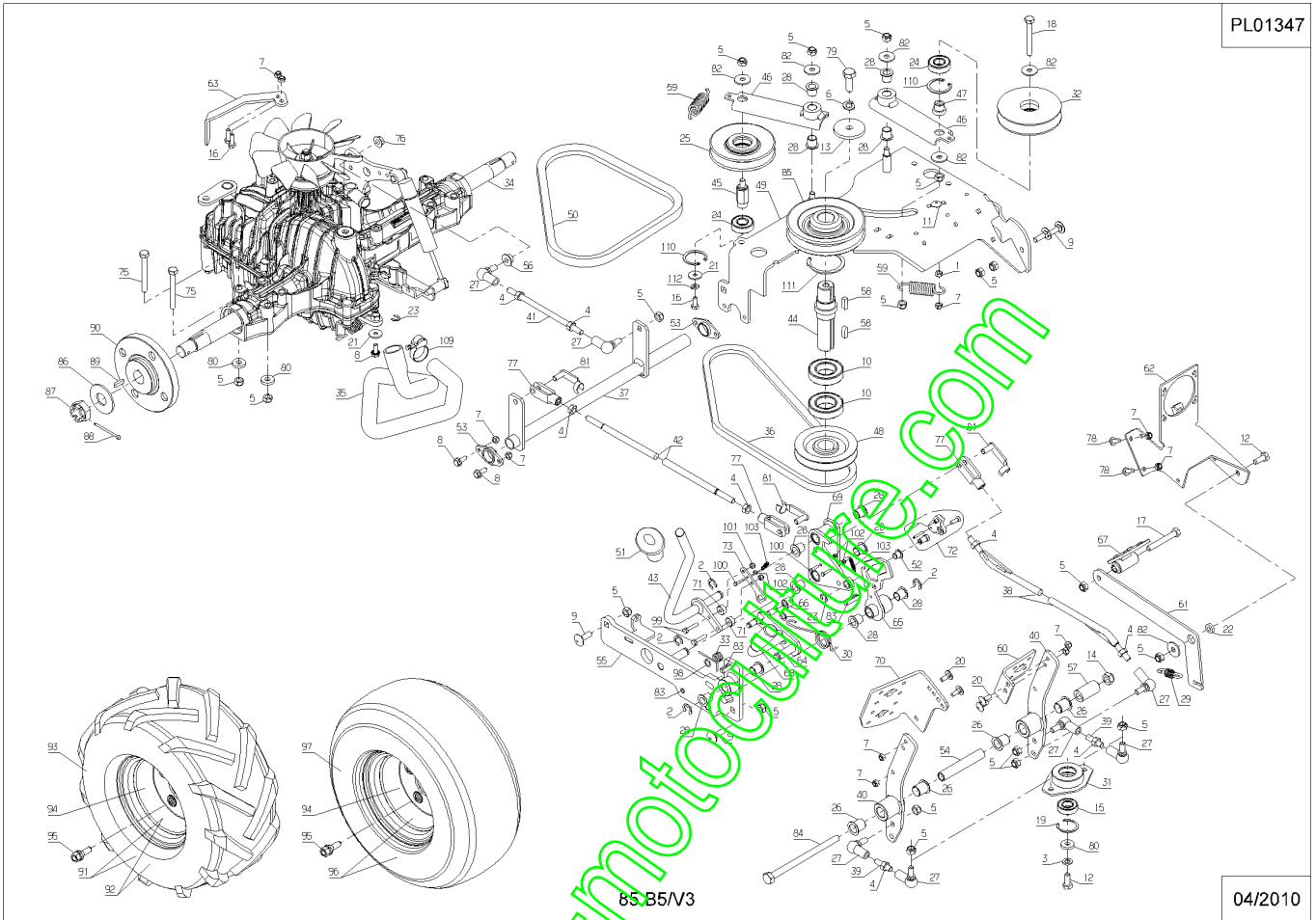
Repère	Référence	Désignation	Quantité
1	1557	ECROU M 6	1,000
2	1559	CIRCLIPS	1,000
3	2017	RONDELLE GROWER	1,000
4	2020	ECROU 6 PANS M 8	1,000
5	2021	ECROU AUTOFREIN HM8	1,000
6	2244	RONDELLE GROWER	1,000
7	5232	ECROU AUTOFREIN HM6	1,000
8	37997	VIS H M6-16 8.8 EMB	1,000
9	5347	VIS JAPY	1,000
10	5454	RLT BUTEE 6006 2RS	1,000
11	5494	VIS JAPY M6X25	1,000
12	7334	BOULON M8 X 20	1,000
13	7341	RONDELLE DE SERRAGE	1,000
14	9017	ECROU AUTOFR.HM10	1,000
15	9022	ROULEMENT A BILLES	1,000
16	20507	VIS HM 6 X 20	1,000
17	20513	VIS HM 8 X 60	1,000
18	20633	VIS TH M8X65	1,000
19	21256	CIRCLIPS INT. 32X1.2	1,000
20	21608	VIS JAPY M6X16	1,000
21	22029	RDLE PL B 6.5	1,000
22	24085	ENTRETOISE PIVOT	1,000
23	24684	ANNEAU TRUARC 8	1,000
24	25112	RLT BILL.6202-2RS	1,000
25	25509	POULIE TENDEUR D.90	1,000
26	28070	COUSSINET 15/17/20	1,000
27	28234	ROTULE M8	1,000
28	28555	COUSSINET 12/14/15	1,000
29	29225	RESSORT FREINAGE	1,000
30	29544	RESSORT TORSION HDC	1,000
31	29925	PLAQUE RENV.MT CPLT	1,000
32	30927	POULIE B 90	1,000
33	37622	RESSORT DE TORSION	1,000
34	32300	PONT K66	1,000
35	32304	DURITE TA	1,000
36	32309	COURROIE PONT	1,000
37	32317	RENVOI AVANCE CPLT	1,000
38	37231	BIELLE CDE PIED CPL	1,000
39	32321	TIGE PEDALE	1,000
40	32322	PEDALE AV CPLT	1,000
41	32455	TIGE AR PONT	1,000

Repère	Référence	Désignation	Quantité
42	32464	TIGE AVANCE	1,000
43	32465	LEVIER AVANCE CPLT	1,000
44	32527	AXE PALIER RENVOI	1,000
45	32528	AXE POULIE TEND	1,000
46	32533	TENDEUR CPLT	1,000
47	32534	AXE POULIE REN	1,000
48	32535	POULIE TA	1,000
49	32537	TOLE RENVOI CPLTE	1,000
50	32542	COURROIE RENVOI	1,000
51	35050	POMMEAU	1,000
52	37176	BAGUE	1,000
53	35329	PALIER IGUS	1,000
54	35379	AXE PEDALES AV	1,000
55	35344	SUPPORT COMMANDE TA	1,000
56	35573	BAGUE CDE BOITE	1,000
57	35736	ENTRETOISE	1,000
58	35861	CLAV.6.35X6.35X20	1,000
59	35863	RESSORT DE TRACTION	1,000
60	35931	PEDALE RECUIL	1,000
61	35992	PEDALE DIF.	1,000
62	36001	SUPPORT PEDALE DIF.	1,000
63	36028	TIGE BY-PASS	1,000
64	36058	LEVIER BLOCAGE D	1,000
65	36060	BIELLETTTE CRANT AV	1,000
66	36107	ROULETTE	1,000
67	38330	PEDALE BD CPLT	1,000
68	36211	POMMEAU DIAM.14	1,000
69	37076	TOLE COMMANDE (SAV)	1,000
70	36916	PEDALE AVANCE	1,000
71	36919	AXE	1,000
72	37785	LOQUET CRANTAGE	1,000
73	36925	BIELLETTTE	1,000
75	71068	VIS H M 8X70 DIN931	1,000
76	71076	ECROU VERBUS M8-10	1,000
77	71077	CHAPE 8X32 B	1,000
78	71106	VIS T P1 CR M6X16 D	1,000
79	71110	VIS HM 10X30	1,000
80	71126	RDLE PL.8,4 DIN 73	1,000
81	71169	GOUJ.A CLAPET 8X32	1,000
82	71274	RDLE PLATE B8.4	1,000
83	71389	GOUPIL.ELASTI.8X30	1,000

Repère	Référence	Désignation	Quantité
84	71450	VIS H M10-150,8.8	1,000
85	32302	POULIE	1,000
86	36220	RDLE PLATE L20	1,000
87	36212	ECROU H K M20-1,5	1,000
88	71345	GOUPIL.FENDUE 4X45	1,000
89	20606	CLAVETTE 5X5X20	1,000
90	32480	MOYEU ROUE + TS	1,000
91	35775	ROUE AR 18" AGR.G	1,000
92	32501	ROUE AR 18" AGR.D	1,000
93	35774	PNEU 18" AGRAIRE	1,000
94	36905	JANTE	1,000
95	32152	VIS FIXATION ROUE	1,000
96	32329	ROUE AR 18 POUCES	1,000
97	32331	PNEU 18 POUCES	1,000
98	7377	GRIFFAXE	1,000
99	71135	VIS M 5X25	1,000
100	21141	VIS HM 3X16	1,000
101	1607	ECROU AUTOFREIN HM5	1,000
102	71012	ECROU H M3	1,000
103	37026	RESSORT DE TRACTION	1,000
109	28534	COLLIER 16-27	1,000
110	71039	CIRCL.INT.35X1,5	1,000
111	71153	CIRCL.INT.INV.55X2	1,000
112	71343	RDLE GROWER	1,000

www.emc-motoculture.com

PL01347

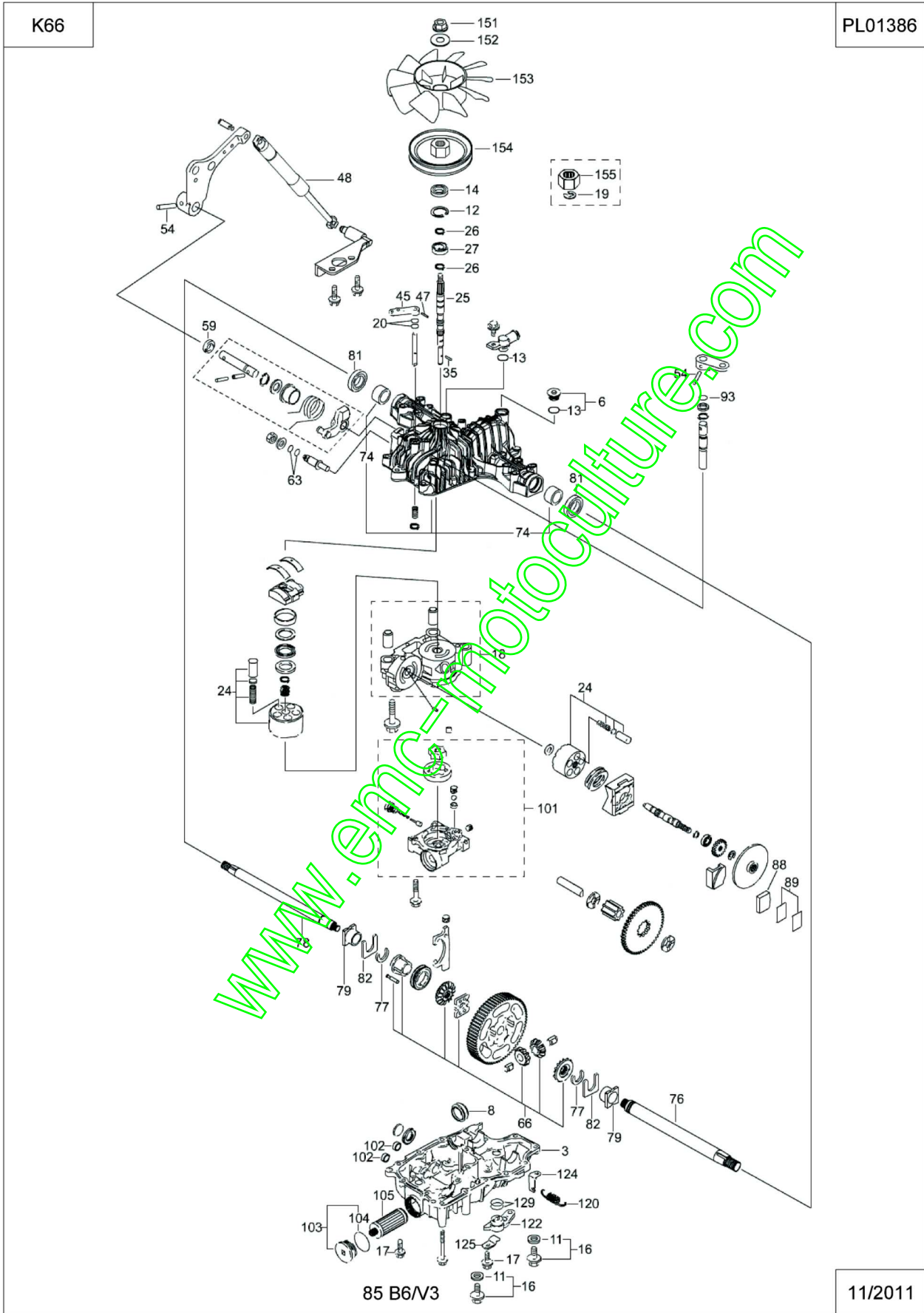


04/2010

Repère	Référence	Désignation	Quantité
3	28873	CARTER INF. K66	1,000
6	34400	BOUCHON HUILE K66	1,000
8	34401	FILTRE	1,000
11	34402	JOINT VIS VIDANGE	1,000
12	71039	CIRCL.INT.35X1,5	1,000
13	28196	JOIN.BOUCH.RES.HUIL	1,000
14	28235	JOINT AXE ENT. BOITE	1,000
16	34403	BOUCH.VIDANGE+JOINT	1,000
17	34623	VIS 8X30	1,000
18	34404	CARTER CENTRAL POMP	1,000
19	28544	CIRCLIPS BAS K46	1,000
20	28625	JOINT	1,000
24	34405	KIT POMPE K66	1,000
25	34406	AXE ENTREE K66	1,000
26	71202	CIRC.K55 13,8X1,27	1,000
27	40465	RLT 6202 HUILE	1,000
35	34407	GOUPILLE 3X13,8	1,000
45	28545	BIELLET.BY-PASS K46	1,000
47	34408	GOUPILLE 3,0X20	1,000
48	34409	AMORTISSEUR	1,000
54	28629	GOUPILLE	1,000
59	34410	JOINT TC 162606	1,000
63	28163	FAISC.ELEC.CIRC.AV.	1,000
66	34411	KIT DIFFERENTIEL	1,000
74	34412	BAGUE SORTIE BOITE	1,000
76	34413	AXE SORTIE BOITE GA	1,000
77	34414	ANNEAU 23	1,000
78	34415	AXE SORTIE BOITE DR	1,000
79	34416	BAGUE K66	1,000
81	34417	JOINT 25,4X42X8	1,000
82	34418	ANNEAU K66	1,000
88	34419	PATIN FREIN K66	1,000
89	34420	CALE FREIN	1,000
93	28634	JOINT O-RING	1,000
101	34421	CARTER POMPE K66	1,000
102	34422	BOUCHON 20	1,000
103	34423	BOUCHON FILTRE	1,000
104	34424	JOINT 1A2040	1,000
105	37075	FILTRE HUILE K66	1,000
120	34425	RESSORT BY-PASS K66	1,000
122	34622	LEVIER BLOC DIFF	1,000

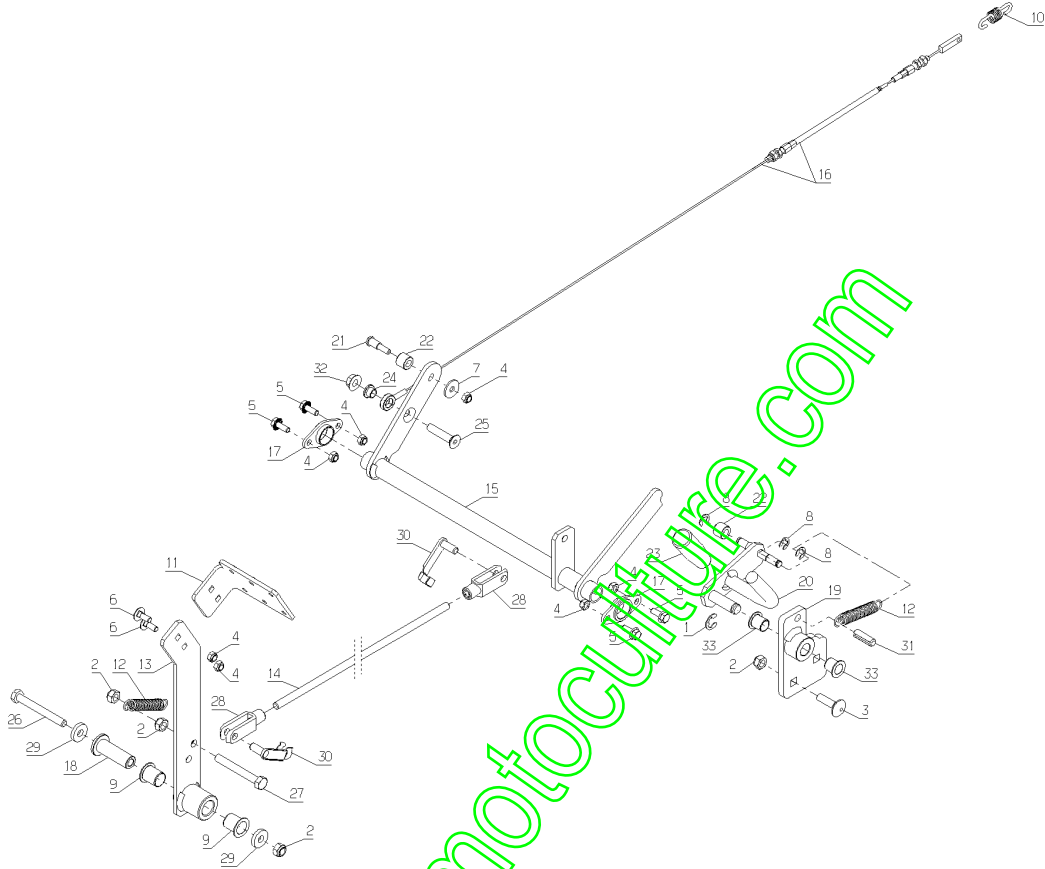
Repère	Référence	Désignation	Quantité
124	34621	CROCHET RESSORT	1,000
125	34620	CLIP LEVIER BLOC	1,000
129	34426	JOINT 1AG25	1,000
151	34427	ECROU 10 AXE ENTREE	1,000
152	34428	RONDELLE 11X32X3,2	1,000
153	34429	VENTILATEUR K66	1,000
154	34430	POULIE K66	1,000
155	34431	ENTRETOISE K66	1,000

www.emc-motoculture.com



Repère	Référence	Désignation	Quantité
1	1559	CIRCLIPS	1,000
2	2021	ECROU AUTOFREIN HM8	1,000
3	5041	VIS JAPY M 8 X 30	1,000
4	5232	ECROU AUTOFREIN HM6	1,000
5	37997	VIS H M6-16 8.8 EMB	1,000
6	21608	VIS JAPY M6X16	1,000
7	22029	RDLE PL.B 6,5	1,000
8	24684	ANNEAU TRUARC 8	1,000
9	28070	COUSSINET 15/17/20	1,000
10	29225	RESSORT FREINAGE	1,000
11	29862	PEDALE FREIN 99	1,000
12	31368	RESSORT DE TRACTION	1,000
13	32446	BIELLETTTE FREIN	1,000
14	32448	TIGE FREIN AV G.	1,000
15	32449	RENOI FREIN CPLT	1,000
16	35282	CABLE FREIN	1,000
17	35329	PALIER IGUS	1,000
18	35418	AXE PEDALE FREIN	1,000
19	36050	SUPPORT BLOCAGE	1,000
20	36059	LEVIER BLOCAGE G	1,000
21	36102	AXE	1,000
22	36107	ROULETTE	1,000
23	36211	POMMEAU DIAM.14	1,000
24	36396	ENTRETOISE EPAULEE	1,000
25	71056	VIS FHC/90 M8X35	1,000
26	71067	VIS HM 8X75 DIN933	1,000
27	20633	VIS TH M8X65	1,000
28	71077	CHAPE 8X32 B	1,000
29	71126	RDLE PL.8,4 DIN 73	1,000
30	71169	GOUJ.A CLAPET 8X32	1,000
31	71389	GOUPIL.ELASTI.8X30	1,000
32	71076	ECROU VERBUS M8-10	1,000
33	28555	COUSSINET 12/14/15	1,000

PL01345



85 B7/V3

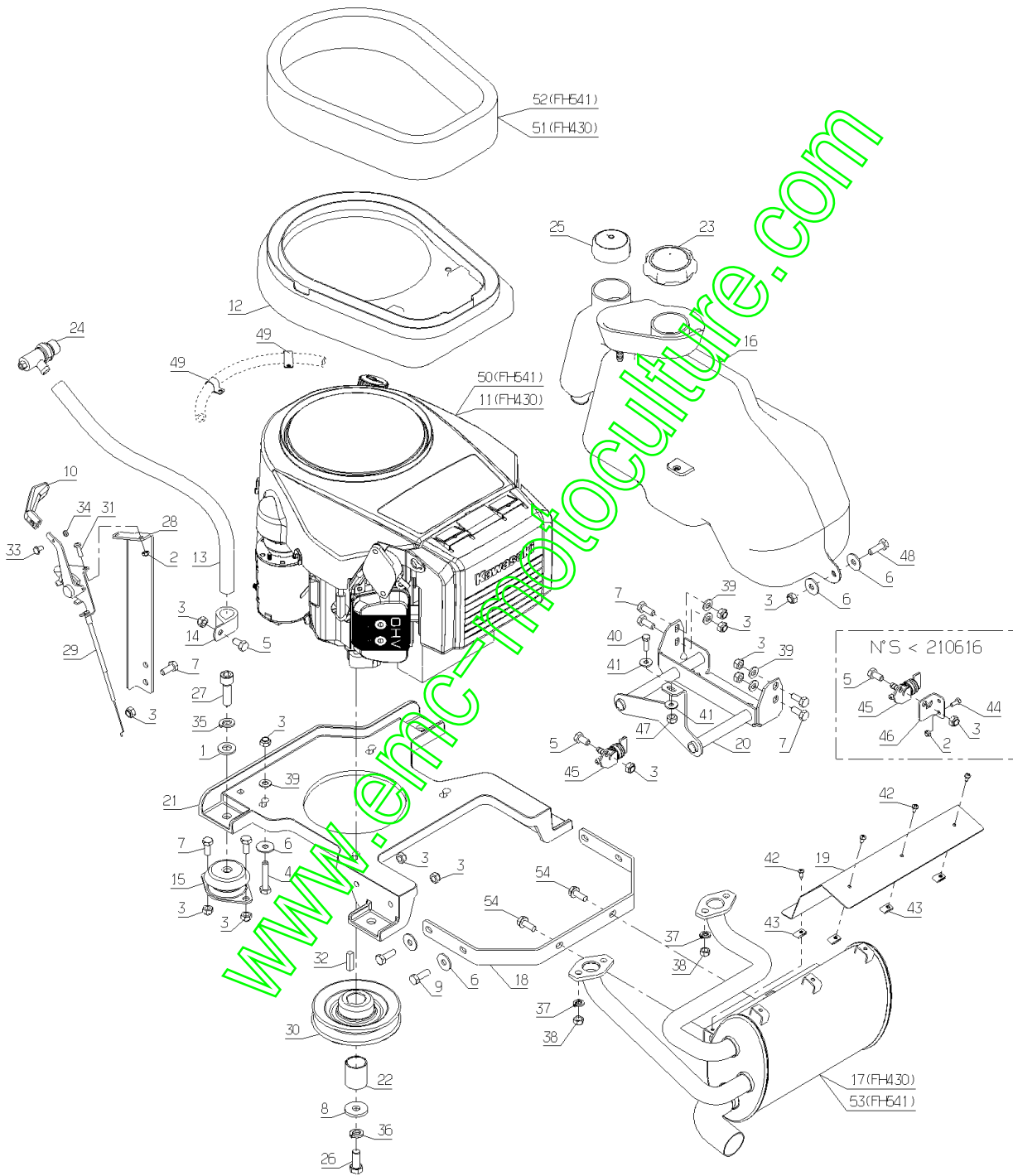
04/2010

Repère	Référence	Désignation	Quantité
1	1560	RONDELLE X 4	1,000
2	1607	ECROU AUTOFREIN HM5	1,000
3	2021	ECROU AUTOFREIN HM8	1,000
4	5340	VIS A TETE HEXAGON.	1,000
5	6169	VIS M8 X 16	1,000
6	7035	RDLE PL.B 8,4	1,000
7	7334	BOULON M8 X 20	1,000
8	9009	RDLE PL.11X32X4	1,000
9	9056	VIS H M 8 X 25	1,000
10	28177	POIGNEE LEVIER GAZ	1,000
11	28580	MOT.KAWA FH430V	1,000
12	28581	SUPP.MOUSSE KAWA	1,000
13	28703	DURIT HG 710	1,000
14	30165	COLLIER DIA.20	1,000
15	32324	PLOT MOTEUR AMC	1,000
16	32390	RESERVOIR	1,000
17	32544	POT COMPLET K	1,000
18	35447	SUPPORT POT	1,000
19	35451	TOLE PARE CHALEUR	1,000
20	35612	SUPPORT RESERVOIR	1,000
21	35706	SUPPORT MOTEURS	1,000
22	35807	DOUILLE ARBRE MOT.	1,000
23	35904	BOUCHON CONFORT	1,000
24	36026	ROBINET VIDANGE	1,000
25	36382	BOUCHON CONTOUR 175	1,000
26	36477	VIS H UNF 7/16"-1"	1,000
27	36481	VIS C HC M12-40,8.8	1,000
28	36539	SUPPORT MANETTE GAZ	1,000
29	36605	COMMANDE GAZ KAWA	1,000
30	36815	POULIE MOTEUR	1,000
31	36823	VIS RL M5-20	1,000
32	71007	CLAV.6.35X6.35X28	1,000
33	71224	VIS POIG.GAZ 8-32'	1,000
34	71225	ECROU POIG.GAZ 8-32	1,000
35	71325	RDLE GROWER A12	1,000
36	71159	RDLE FREIN 7/16"	1,000
37	15848	RDLE GROWER	1,000
38	15849	ECROU HEXAG.	1,000
39	7335	RDLE PL.A 8,4	1,000
40	20507	VIS HM 6 X 20	1,000
41	21270	RDLE PL.B 6,4	1,000

Repère	Référence	Désignation	Quantité
42	71111	VIS TOLE ST 4,8X16	1,000
43	21436	ECROU NUL 530	1,000
44	71284	VIS H M5-12	1,000
45	37123	ROBINET CARBURANT	1,000
46	37124	SUPP.ROBINET CARBUR	1,000
47	5232	ECROU AUTOFREIN HM6	1,000
48	9061	VIS HM 8X30	1,000
49	37184	COLLIER DIA.14	1,000
50	35360	MOTEUR KAWA FH541V	1,000
51	37163	MOUSSE ASPI KAWA	1,000
52	28591	MOUSSE ASPI.KAWA	1,000
53	38376	POT FH541V	1,000
54	71413	VIS HM 8-20	1,000

www.emc-motoculture.com

PL01351



85 B12/V3

04/2010

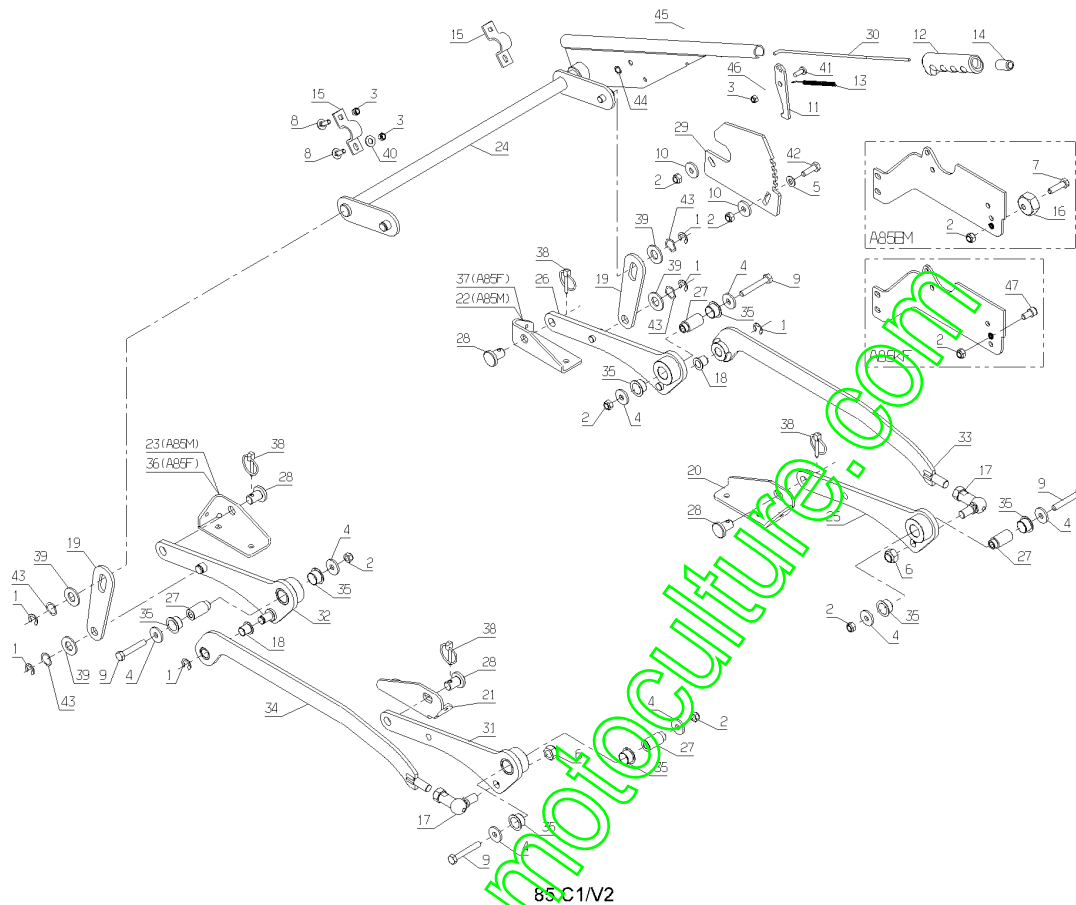
Repère	Référence	Désignation	Quantité
1	1559	CIRCLIPS	1,000
2	2021	ECROU AUTOFREIN HM8	1,000
3	5232	ECROU AUTOFREIN HM6	1,000
4	7035	RDLE PL.B 8,4	1,000
5	7335	RDLE PL.A 8,4	1,000
6	9017	ECROU AUTOFR.HM10	1,000
7	9061	VIS HM 8X30	1,000
8	21608	VIS JAPY M6X16	1,000
9	21687	VIS HM 8X55	1,000
10	22065	RDLE D'APPUI	1,000
11	25419	DOIGT INDEXAGE	1,000
12	25421	POIGNEE	1,000
13	25422	RESSORT DE RAPPEL	1,000
14	25429	BOUTON POUSSOIR	1,000
15	25711	CAVALIER	1,000
16	28040	BUTEE HDC	1,000
17	37178	ROTULE M12	1,000
18	28555	COUSSINET 12/14/15	1,000
19	32305	BIELETTE HDC	1,000
20	32310	SUPPORT HDC AVG	1,000
21	32364	SUPPORT HDC AVD	1,000
22	32374	SUPPORT HDC ARG	1,000
23	32386	SUPPORT HDC ARD	1,000
24	32393	ENSEMBLE DE CDE HDC	1,000
25	32472	BRAS HDC CPLT	1,000
26	32492	BRAS HDC AR CPLT	1,000
27	32493	AXE ACCROCHAGE HDC	1,000
28	32504	AXE ACCROCHAGE HDC	1,000
29	32506	PLAQUE HDC	1,000
30	35160	TIGE DE COMMANDE	1,000
31	36333	BRAS HDC AVD CPLT	1,000
32	36334	BRAS HDC ARD CPLT	1,000
33	36342	BARRE DE LIAISON	1,000
34	36359	BARRE DE LIAISON D	1,000
35	36360	COUSSINET 18/20/12	1,000
36	36494	SUPPORT HDC ARD	1,000
37	36495	SUPPORT HDC ARG	1,000
38	71005	GOUPIL.CLIPS 5-32	1,000
39	71034	RDLE PL. M14 U	1,000
40	71075	RDLE PLATE M 6N	1,000
41	71106	VIS T P1 CR M6X16 D	1,000

Repère	Référence	Désignation	Quantité
42	71273	VIS H M8X25,8.8	1,000
43	5411	RDLE ONDUFLEX	1,000
44	7377	GRIFFAXE	1,000
45	71041	AXE TYPE A 8X16	1,000
46	25887	ENTRET.MARCHE-PIED	1,000
47	71372	VIS C HC M8-16,8.8	1,000

www.emc-motoculture.com

A85

PL01349

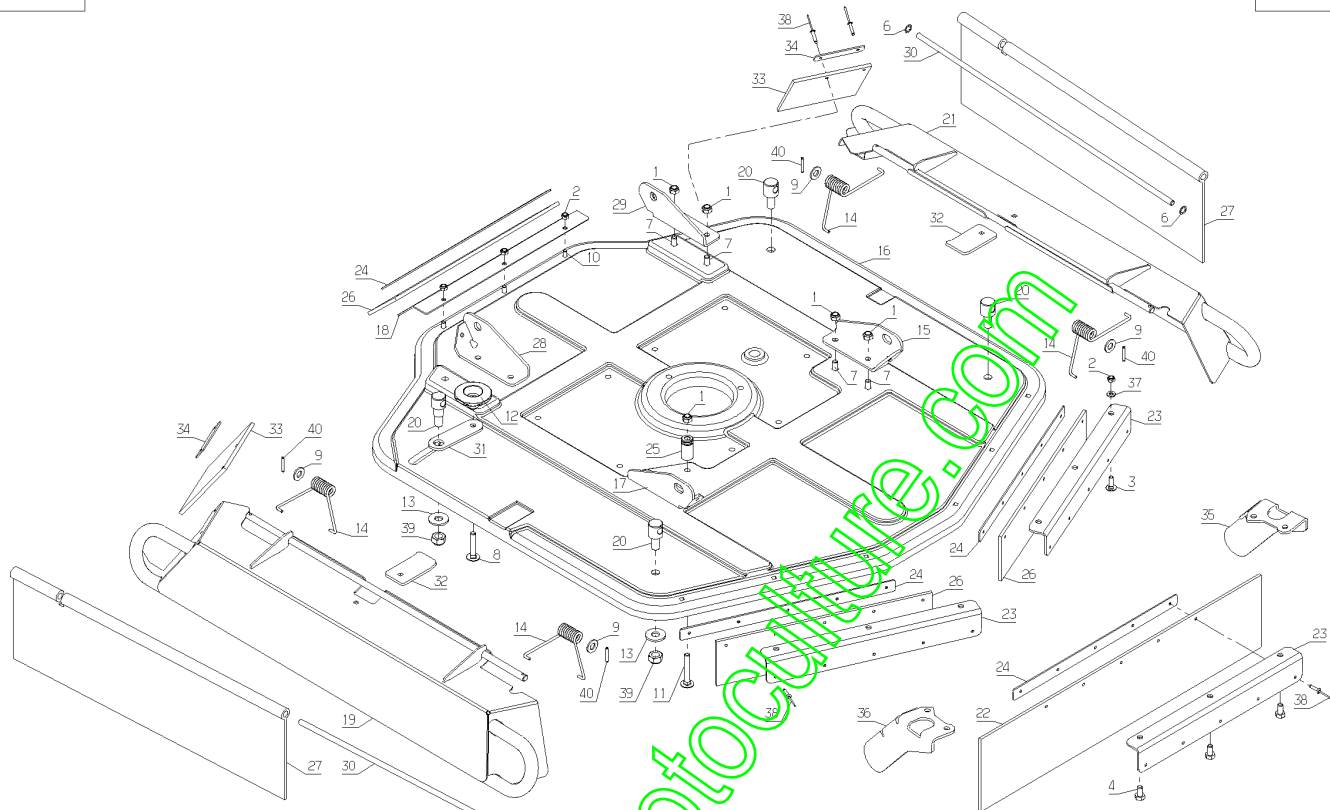


03/2009

Repère	Référence	Désignation	Quantité
1	2021	ECROU AUTOFREIN HM8	1,000
2	5232	ECROU AUTOFREIN HM6	1,000
3	5496	VIS J M 6X20	1,000
4	6169	VIS M8 X 16	1,000
6	7377	GRIFFAXE	1,000
7	9071	VIS JAPY M 8 X 20	1,000
8	20520	VIS JAPY M8 X 45	1,000
9	21036	RDLE PL. A10,5	1,000
10	21608	VIS JAPY M6X16	1,000
11	71185	VIS TRCC M8X55 8.8	1,000
12	24610	BOUTON 'PETIT'	1,000
13	27108	-> 1560	1,000
14	28245	RESSORT DE TORSION	1,000
15	32310	SUPPORT HDC AVG	1,000
16	32345	CARCASSE CENTRALE	1,000
17	32364	SUPPORT HDC AVD	1,000
18	32405	DEFLECTEUR ARRIERE	1,000
19	32417	DEFLECTEUR CARCASSE	1,000
20	32423	PLOT ARTICULATION	1,000
21	32425	PROTECTION CARCASSE	1,000
22	32539	BAVETTE AV. 1	1,000
23	32540	SUPPORT BAVETTE _1	1,000
24	35744	RENFORT BAVETTE	1,000
25	36047	PLOT ACCROCHAGE	1,000
26	36482	BAVETTE ANTI PROJEC	1,000
27	36486	BAVETTE PROTECTION	1,000
28	36494	SUPPORT HDC ARD	1,000
29	36495	SUPPORT HDC ARG	1,000
30	36496	AXE BAVETTE PROTECT	1,000
31	36775	BIELETTE DE REGLAGE	1,000
32	36776	BUTEE DEFLECTEUR	1,000
33	36792	BAVETTE DEFLECTEUR	1,000
34	36793	TOLE FIXAT.BAVETTE	1,000
35	36807	PROTECTION PIED G.	1,000
36	36808	PROTECTION PIED D.	1,000
37	71094	RDLE PLATE A 6,4	1,000
38	71112	RIVET CLOU DIA.4X17	1,000
39	71157	ECROU AUTOFR.HM12	1,000
40	71188	GOUPIL.ELAST. 4-26	1,000

A85F

PL01341



85 C 10V2

03/2009

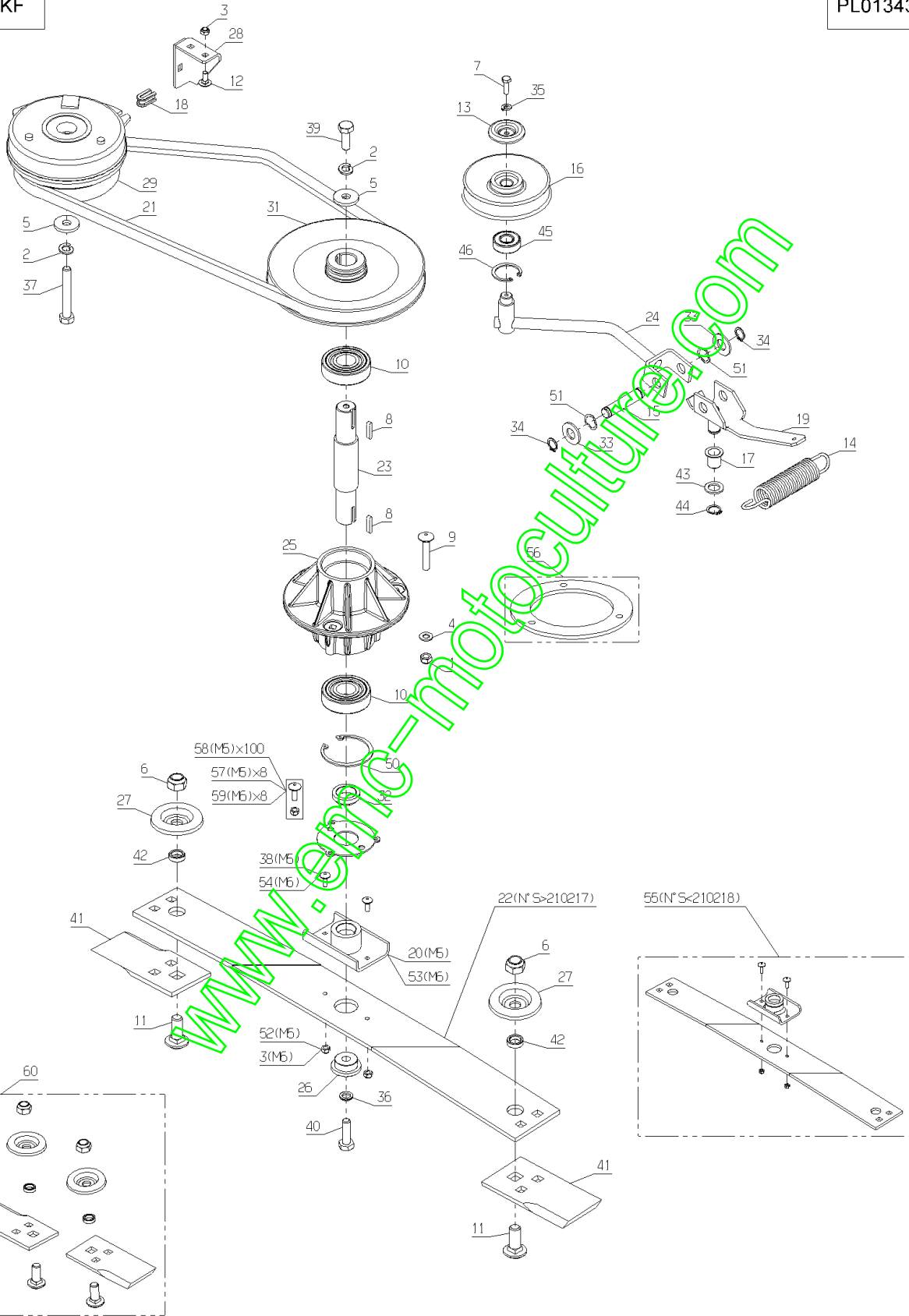
Repère	Référence	Désignation	Quantité
1	2021	ECROU AUTOFREIN HM8	1,000
2	2244	RONDELLE GROWER	1,000
3	5232	ECROU AUTOFREIN HM6	1,000
4	7335	RDLE PL.A 8,4	1,000
5	9009	RDLE PL.11X32X4	1,000
6	71053	ECROU AUTOFR.HM14	1,000
7	20507	VIS HM 6 X 20	1,000
8	20602	CLAVETTE 5X5X25	1,000
9	71382	VIS J M8-65,8.8	1,000
10	21553	ROULEMENT 6305 LU	1,000
11	27166	VIS J M14-35,10.9	1,000
12	21608	VIS JAPY M6X16	1,000
13	25117	CAPUCHON BRAS TEND.	1,000
14	25124	RESSORT DE TENSION	1,000
15	25126	AXE BRAS TENDEUR	1,000
16	26156	POULIE TENDEUR CPLT	1,000
17	28070	COUSSINET 15/17/20	1,000
18	28078	GUIDE BUTEE EMBRAY.	1,000
19	28411	CHAPE TENDEUR CPLT	1,000
20	28420	ACCOUPL LAME CPLT	1,000
21	32303	COURROIE LAME	1,000
22	32308	*** Article remplacé ***	1,000
23	32315	AXE DE LAME	1,000
24	32398	BRAS TENDEUR CPLT	1,000
25	32438	PALIER DE LAME A85	1,000
26	32548	RONDELLE DE LAME	1,000
27	27170	*** Article remplacé ***	1,000
28	35323	BUTEE EMBRAYAGE	1,000
29	35576	EMBRAYAGE TG105	1,000
31	36044	POULIE DE LAME A85	1,000
32	36645	BAGUE PALIER LAME	1,000
33	71034	RDLE PL. M14 U	1,000
34	71036	CIRCL.EXT.14X1	1,000
35	71049	RDLE GROWER A6	1,000
36	71052	RDLE FREIN A10	1,000
37	71064	VIS H M10-70,10.9	1,000
38	71231	VIS J M5-16,12.9	1,000
39	71110	VIS HM 10X30	1,000
40	71242	VIS HM 10-35 DROITE	1,000
41	27264	*** Article remplacé ***	1,000
42	27266	ENTRETOISE	1,000

Repère	Référence	Désignation	Quantité
43	9166	RDLE PL.15X24X2	1,000
44	71047	CIRCL.EXT. 15X1	1,000
45	25112	RLT BILL.6202-2RS	1,000
46	71039	CIRCL.INT.35X1,5	1,000
50	21560	CIRCLIPS INT.62X2	1,000
51	5411	RDLE ONDUFLEX	1,000
52	37561	ECROU H FR M5,10	1,000
53	37669	ACCOUP.LAME M6 CPLT	1,000
54	5496	VIS J M 6X20	1,000
55	37707	KIT CORPS LAME M6	1,000
56	37306	REHAUSSE PALIER	1,000
57	26157	JEU BOUL.CIS.8 PCES	1,000
58	26357	100 BOULONS CISAIL.	1,000
59	37762	JEU BOULON CIS 8PCE	1,000
60	MC85F	2 FLEAUX PLATS	1,000

www.emc-motoculture.com

A85KF

PL01343



85 C12/V2

03/2009

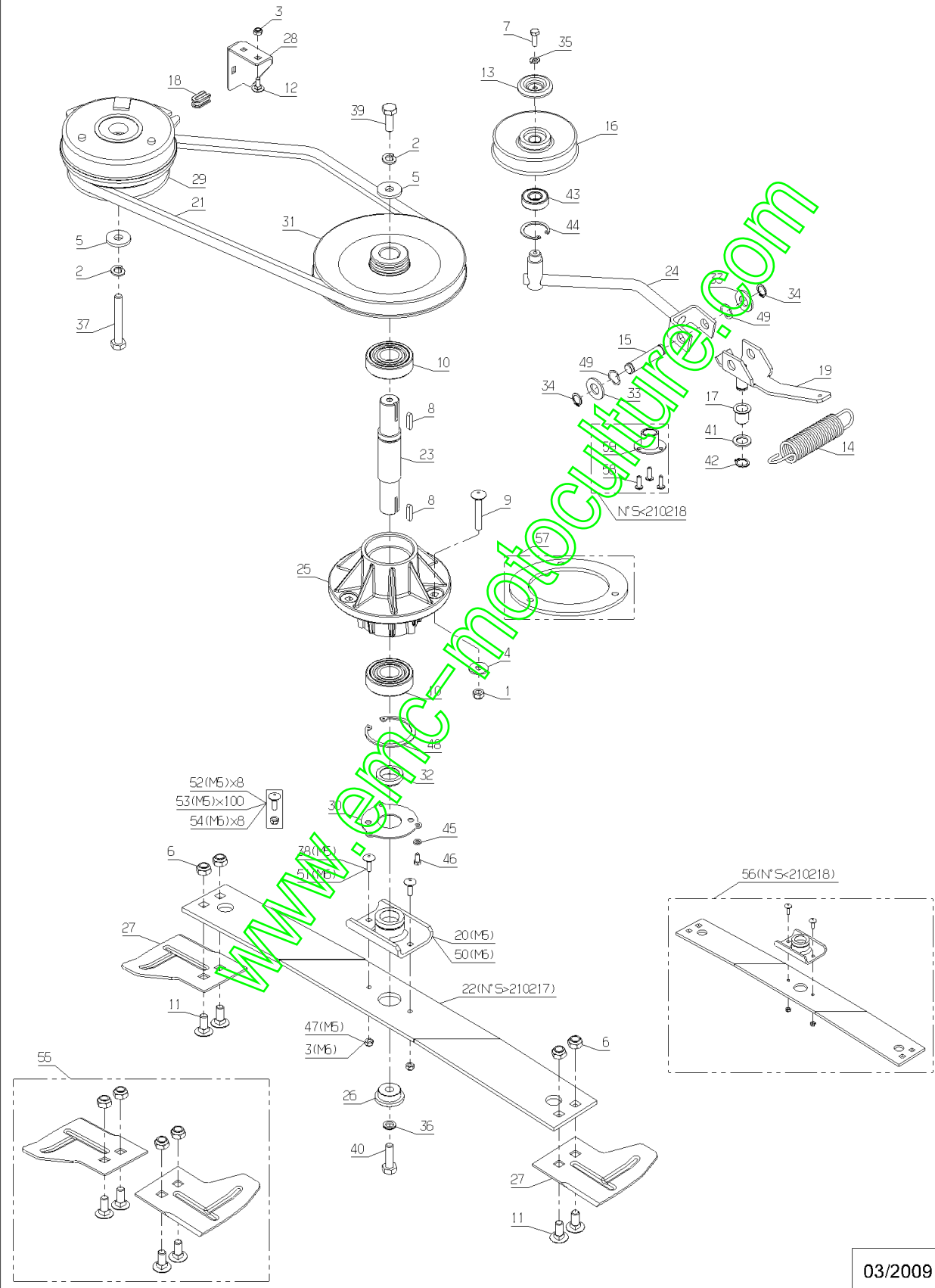
Repère	Référence	Désignation	Quantité
1	2021	ECROU AUTOFREIN HM8	1,000
2	2244	RONDELLE GROWER	1,000
3	5232	ECROU AUTOFREIN HM6	1,000
4	7335	RDLE PL.A 8,4	1,000
5	9009	RDLE PL.11X32X4	1,000
6	9017	ECROU AUTOFR.HM10	1,000
7	20507	VIS HM 6 X 20	1,000
8	20602	CLAVETTE 5X5X25	1,000
9	71185	VIS TRCC M8X55 8.8	1,000
10	21553	ROULEMENT 6305 LU	1,000
11	21559	VIS JAPY M10X25	1,000
12	21608	VIS JAPY M6X16	1,000
13	25117	CAPUCHON BRAS TEND.	1,000
14	25124	RESSORT DE TENSION	1,000
15	25126	AXE BRAS TENDEUR	1,000
16	26156	POULIE TENDEUR CPLT	1,000
17	28070	COUSSINET 15/17/20	1,000
18	28078	GUIDE BUTEE EMBRAY.	1,000
19	28411	CHAPE TENDEUR CPLT	1,000
20	28420	ACCOUPL LAME CPLT	1,000
21	32303	COURROIE LAME	1,000
22	37671	CORPS LAME A85 M6	1,000
23	32315	AXE DE LAME	1,000
24	32398	BRAS TENDEUR CPLT	1,000
25	32438	PALIER DE LAME A85	1,000
26	32548	RONDELLE DE LAME	1,000
27	35305	*** Article remplacé ***	1,000
28	35323	BUTEE EMBRAYAGE	1,000
29	35576	EMBRAYAGE TG105	1,000
30	35748	PROTECTION PALIER	1,000
31	36044	POULIE DE LAME A85	1,000
32	36615	BAGUE PALIER LAME	1,000
33	71034	RDLE PL. M14 U	1,000
34	71036	CIRCL.EXT.14X1	1,000
35	71049	RDLE GROWER A6	1,000
36	37665	RDLE NL10-NORD-LOCK	1,000
37	71064	VIS H M10-70,10.9	1,000
39	71110	VIS HM 10X30	1,000
40	71242	VIS HM 10-35 DROITE	1,000
41	9166	RDLE PL.15X24X2	1,000
42	71047	CIRCL.EXT. 15X1	1,000

Repère	Référence	Désignation	Quantité
43	25112	RLT BILL.6202-2RS	1,000
44	71039	CIRCL.INT.35X1,5	1,000
45	5311	RONDELLE EVENT.A5,3	1,000
46	71284	VIS H M5-12	1,000
47	37561	ECROU H FR M5,10	1,000
48	21560	CIRCLIPS INT.62X2	1,000
49	5411	RDLE ONDUFLEX	1,000
50	37669	ACCOUP.LAME M6 CPLT	1,000
51	5496	VIS J M 6X20	1,000
52	26157	JEU BOUL.CIS.8 PCES	1,000
53	26357	100 BOULONS CISAIL.	1,000
54	37762	JEU BOULON CIS 8PCE	1,000
55	MC85M	KIT DEMI-LAMES	1,000
56	37707	KIT CORPS LAME M6	1,000
57	37306	REHAUSSE PALIER	1,000
58	71206	VIS EJOT-PT KA50X16	1,000
59	37185	PALIER CHAPE TEND.	1,000

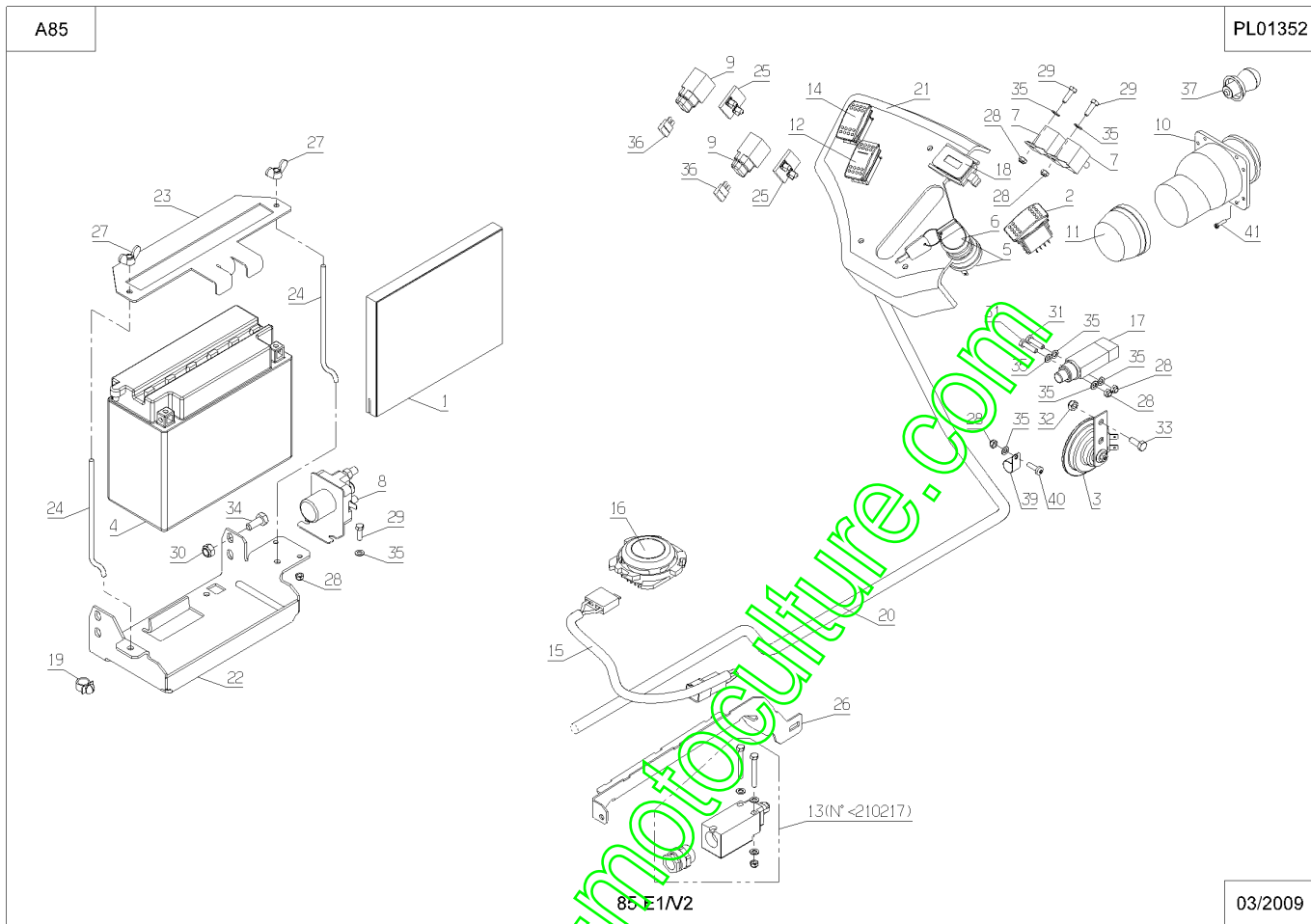
www.emc-motoculture.com

A85M

PL01342

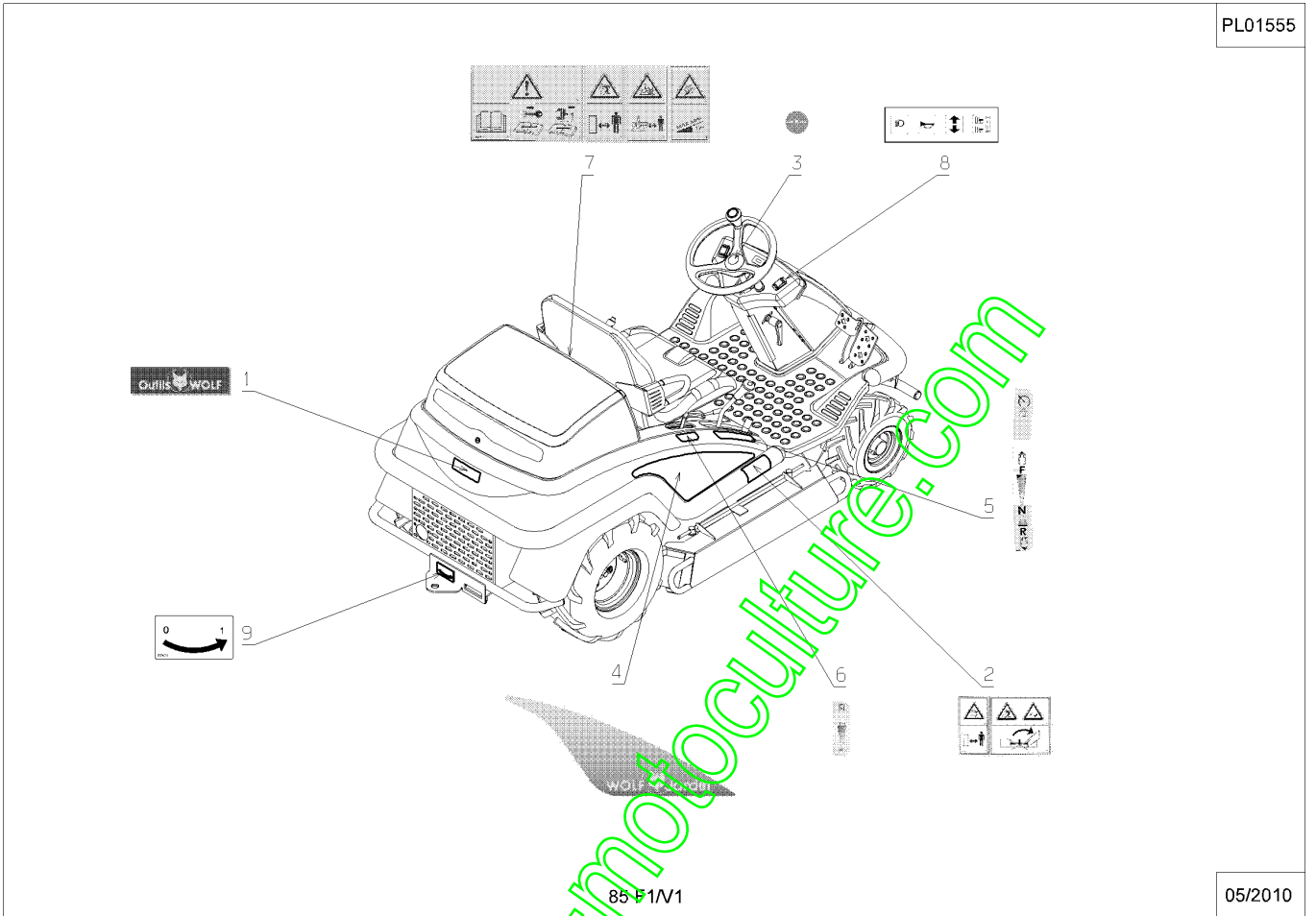


Repère	Référence	Désignation	Quantité
1	28015	PROTECT.THERMIQUE	1,000
2	28063	INTERRUPTEUR LAME	1,000
3	28209	AVERTISSEUR SONORE	1,000
4	28326	BATTERIE VERS.96	1,000
5	28384	CONTACTEUR A CLEF	1,000
6	28388	JEU 2 CLEFS CONTACT	1,000
7	28392	RELAIS INV.ETANCHE	1,000
8	28531	RELAIS DEMARR.LUCAS	1,000
9	28582	PORTE-FUSIBLE	1,000
10	28689	FEUX	1,000
11	28743	CAPUCHON ARRIERE	1,000
12	29253	INTERRUPT.ON/OFF 1	1,000
13	37687	KIT CONTACTEUR P.M.	1,000
14	29261	INTERR.ON/OFF/ON C2	1,000
15	30688	FAISCEAU SIEGE	1,000
16	30690	CAPTEUR SIEGE	1,000
17	31405	CONTACT POSITION	1,000
18	28737	COMPTEUR TACHY/HORA	1,000
19	32219	AGRAFE 12X2 EP.4	1,000
20	35273	FAISCEAU	1,000
21	35523	PLANCHE DE BORD	1,000
22	35582	SUPPORT BATTERIE	1,000
23	35626	TOLE FIXAT.BATTERIE	1,000
24	35811	TRINGLE BRIDAGE	1,000
25	36239	SUPP.PORTE FUSIBLE	1,000
26	36761	GOULOTTE	1,000
27	1504	ECROU PAPILLON M6	1,000
28	1607	ECROU AUTOFREIN HM5	1,000
29	2009	VIS M5 X 16	1,000
30	2021	ECROU AUTOFREIN HM8	1,000
31	5074	VIS H M 5 X 20	1,000
32	5232	ECROU AUTOFREIN HM6	1,000
33	5334	VIS A TETE HEXAGON.	1,000
34	7334	BOULON M8 X 20	1,000
35	20564	RDELLE PLATE 5,5	1,000
36	25824	FUSIBLE 20A 12V	1,000
37	28744	AMPOULE	1,000
39	37184	COLLIER DIA.14	1,000
40	71104	VIS CB Z M5-16,4.8	1,000
41	71197	VIS CB H 2.9-13ST,C	1,000



Repère	Référence	Désignation	Quantité
1	11025	ETIQ.WOLF JARDIN	1,000
2	13089	ETIQ. TRAPPE	1,000
3	25323	BADGE VOLANT	1,000
4	35717	ETIQ.LATERAL D A85	1,000
5	36581	ETIQ.CDE AVANCE	1,000
6	36593	ETIQ.COMMANDE GAZ	1,000
7	36959	ETIQ.AVERTISSEMENT	1,000
8	37082	PICTOGRAMME (X4)	1,000
9	37431	ETIQ.BYPASS A85	1,000

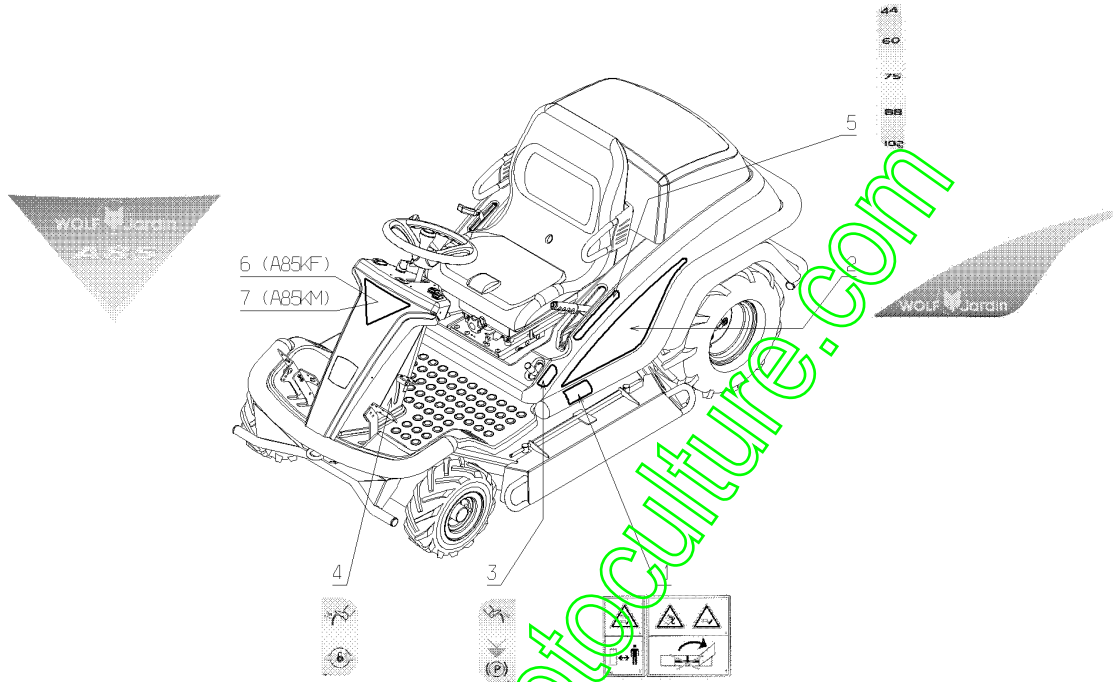
www.emc-motoculture.com



85 51V1

Repère	Référence	Désignation	Quantité
1	13089	ETIQ. TRAPPE	1,000
2	35718	ETIQ.LATERAL G.A85	1,000
3	36592	ETIQU.FREIN	1,000
4	36620	ETIQ.BLOCAGE DIFF.	1,000
5	36907	ETIQ.HDC	1,000
6	36042	ETIQ.CACHE CONSOLE	1,000
7	38721	38721	1,000

www.emc-motoculture.com



85 F5/V1

www.emc-motoculture.com

www.emc-motoculture.com