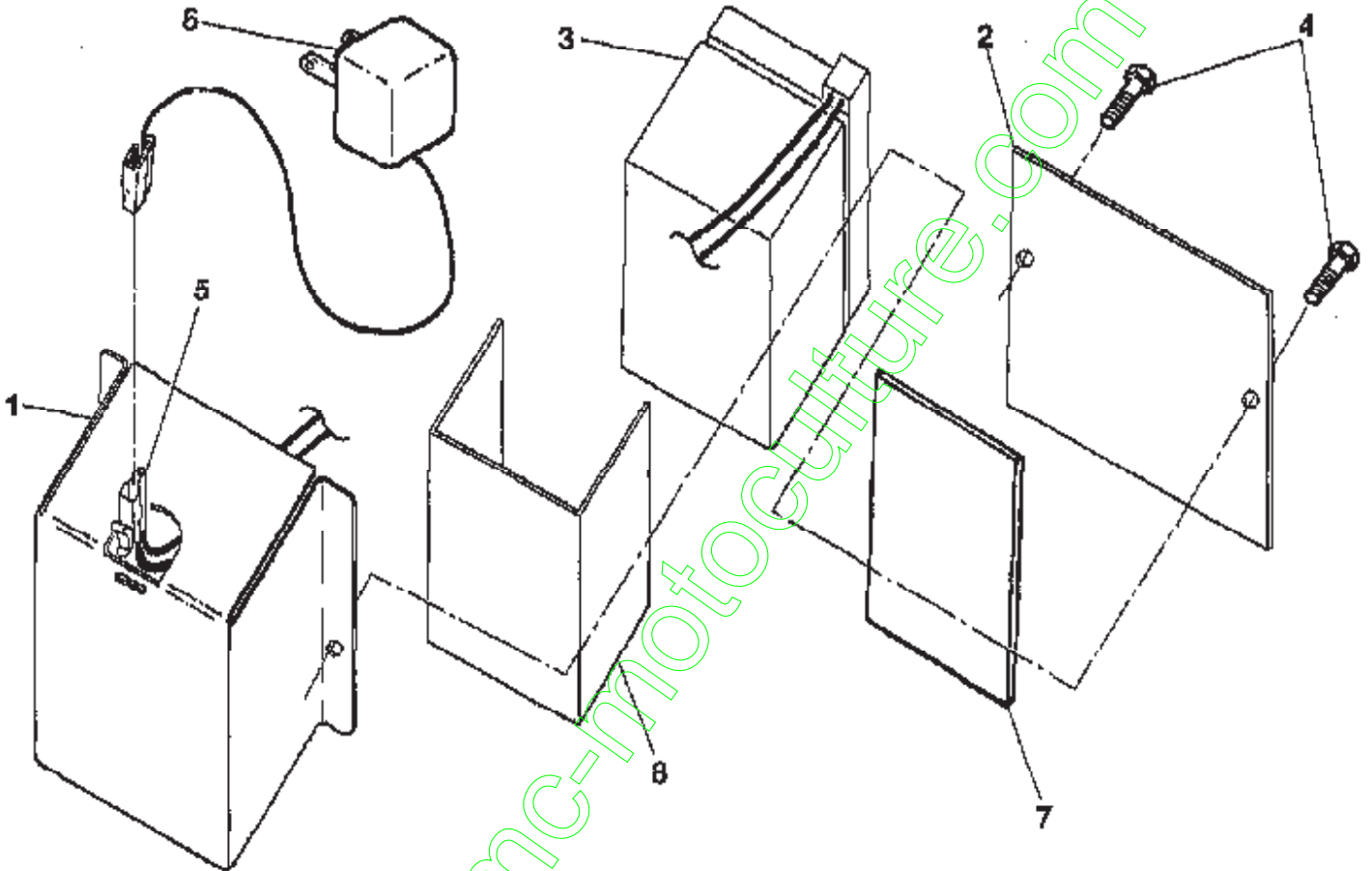


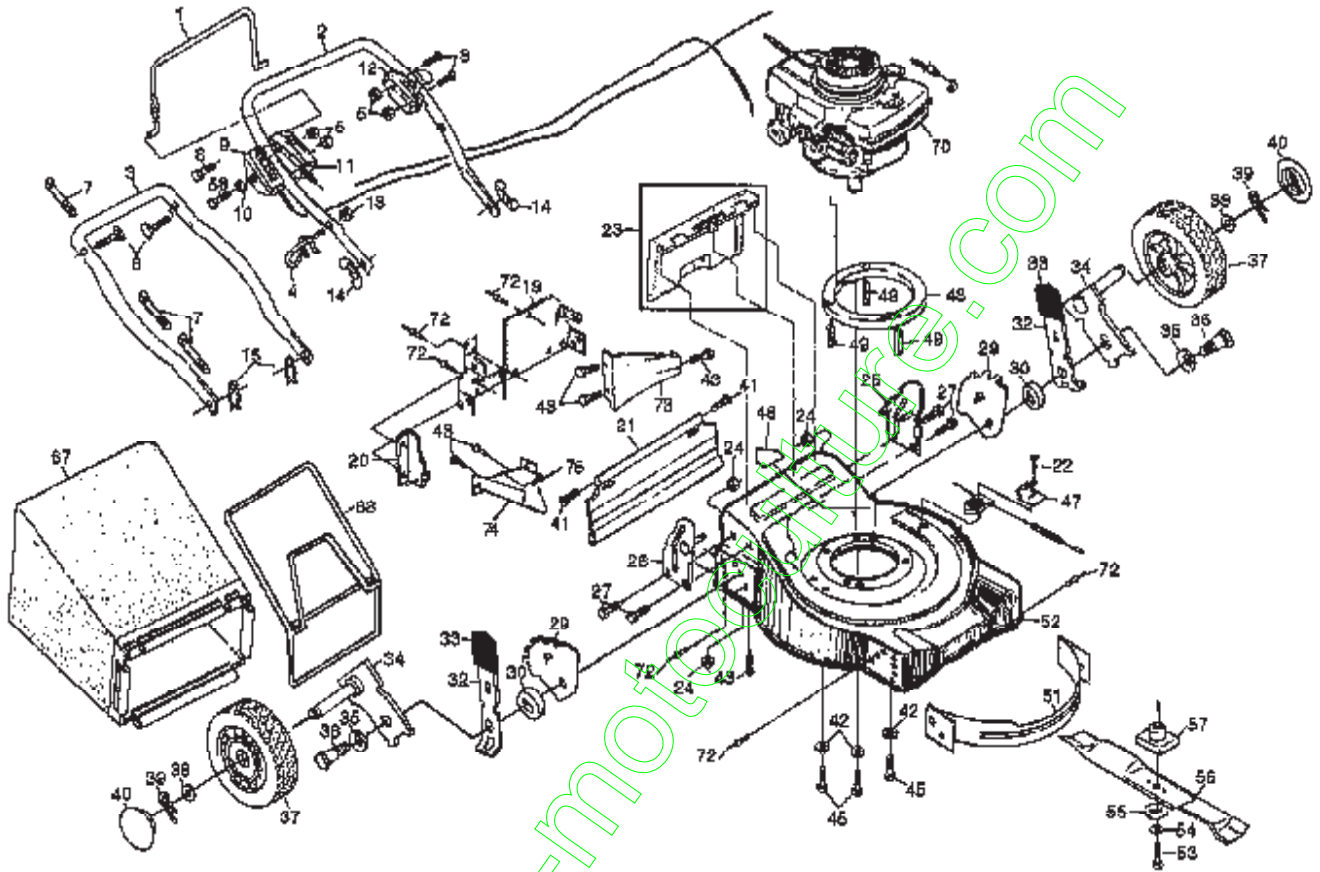
20" REAR BAGGER ROTARY LAWN MOWER - - MODEL NO. AN2D779B



Ref #	Part Number	Qty	Description
1	86334X419		SUB= 86334X479
2	86337X419		SUB= 86337X479
3	750909		SUB= 48374
4	36953		SCREW SELF TAP
5	86353		CONNECTOR PM
6	130024		"CHARGER, BATTERY"
7	86649		"PAD PM, BATTERY"
8	134861		"WRAP, BATTERY"

www.emc-motoculture.com

20" REAR BAGGER ROTARY MOWER MODEL NO. AN2D779B

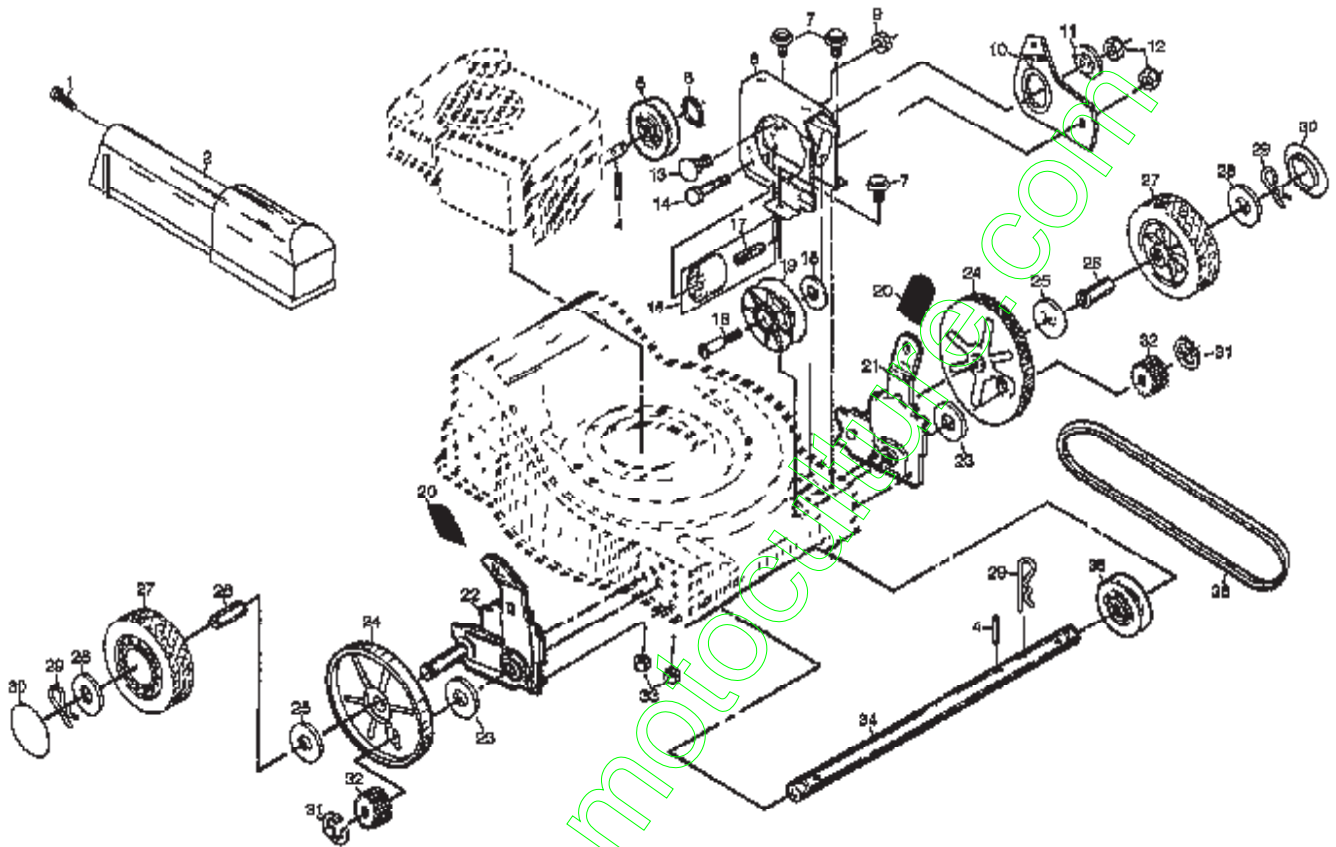


Ref #	Part Number	Qty	Description
1	133006		CONTROL BAR
2	132670X479		SUB= 154480X479
3	134081X479		SUB= 151590X479
4	132001		ROPE GUIDE
5	63601		SUB= 73800400
6	131959		BOLT.HANDLE.LM
7	66426		SUB= 7192J
8	85692		SUB= 74250434
9	107224X		SUB= 107245X
10	85723		WASHER PM
11	128787		ENGINE CONTROL
12	133879		DRIVE CONTROL
13	73510400		NUT
14	128638		"NUT,WING PM"
15	51793		HAIRPIN COTTER
19	700355X419		SUB= 700355X479
20	700363X419		SUB= 700363X479
21	133259		SUB= 140657
22	85768		"SCREW, HEX PM"
23	48257		"KIT, REAR DOOR PM"
24	751592		LOCKNUT PM
25	700913X419		SUB= 150956
26	700915X419		SUB= 150956
27	55187		SCREW
29	700375		SUB= 700325X007
30	84920		SUB= 146630
32	700331X004		SPRING SELECTOR
33	87877		KNOB PM
34	85021X004		AXLE ARM
35	62335		"WASHER, BELLEVIL."
36	84921		SUB= 142748
37	700953		WHEEL.8X2.LP.PR
38	52160		WASHER
39	85179		RETAINER CLIP PM
40	77400		HUB CAP
41	88652		HINGE SCREW
42	53998		SUB= 19131216
43	54583		SCREW
45	850999		SCREW
46	107339X		DECAL HYT
47	88615		BRKT DRV COV
48	850988		ENGINE SPACER
49	850987		SUB= 850988
51	132198X479		SUB= 144961
52	701967		KIT.HSG.20RD.FWBD
53	851084		SCREW
54	850263		LOCKWASHER
55	851074		"WASHER,HARDEN"
56	850972		BLADE.STAND.20INC
57	851514		ADAPTOR.BLADE.LM
58	851185		SUB= 128889
67	135200		GRASSBAG.PM.
68	133413		CATCHER FRAME
70			CHECK WITH SUPPLIER
72	128415		BLIND RIVET
73	700063X479		REAR BAFFLE
74	133188X479		DISCHARGE GUARD
75	86344		SCREW PM

Ref #	Part Number	Qty	Description
	700480		"MANUAL,OP"
	701435		NLA
	701964		MANUAL.P.AN2D779A
	133414		HOUSING DECAL
	MA36		CLIPPING DEFL
	MK20FRD		"KIT, MULCHER 20""

www.emc-motoculture.com

20" REAR BAGGER ROTARY MOWER MODEL NO. AN2D779B



www.emc-motocycles.com

Ref #	Part Number	Qty	Description
1	750097		TAPPING SCREW
2	750727		DRIVE CVR
3	4802		SUB= 19070818
4	851980		DRIVE PAWL
5	88043		PULLEY PM
6	12000030		RETAINING RING ST
7	54583		SCREW
8	851947X004		"CLUTCH,FRAME"
9	50962		LOCKNUT
10	88065X004		SUB= 702631X004
11	88067		SPACER PM
12	750253		LOCKNUT
13	72070504		CARRIAGE BOLT
14	74350424		BOLT 1/4-20-1 1/2
15	88069		SPACER PM
16	48160		IDLER ASSY
17	88576		IDLER SPACER
18	88517		SHOULDER BOLT
19	88516		IDLER PULLEY
20	87877		KNOB PM
21	700339		SUB= 151228
22	700340		SUB= 151226
23	88118		WASHER PM
24	88080		DUST SHROUD PM
25	67725		WASHER FLUT
26	88446		BUSHING.HEX
27	700953		WHEEL.8X2.LP.PR
28	52160		WASHER
29	85179		RETAINER CLIP PM
30	77400		HUB CAP
31	12000057		SUB= 12000058
32	137054		PINION.GEAR
33	63601		SUB= 73800400
34	700537		SHAFT.DRIVE.17.81
35	88082		DRIVE PULLEY PM
36	850053		"DRIVE, BELT"
	850077		DECAL
	851101		DECAL ELEC START ENGINE

www.emc-motors.com