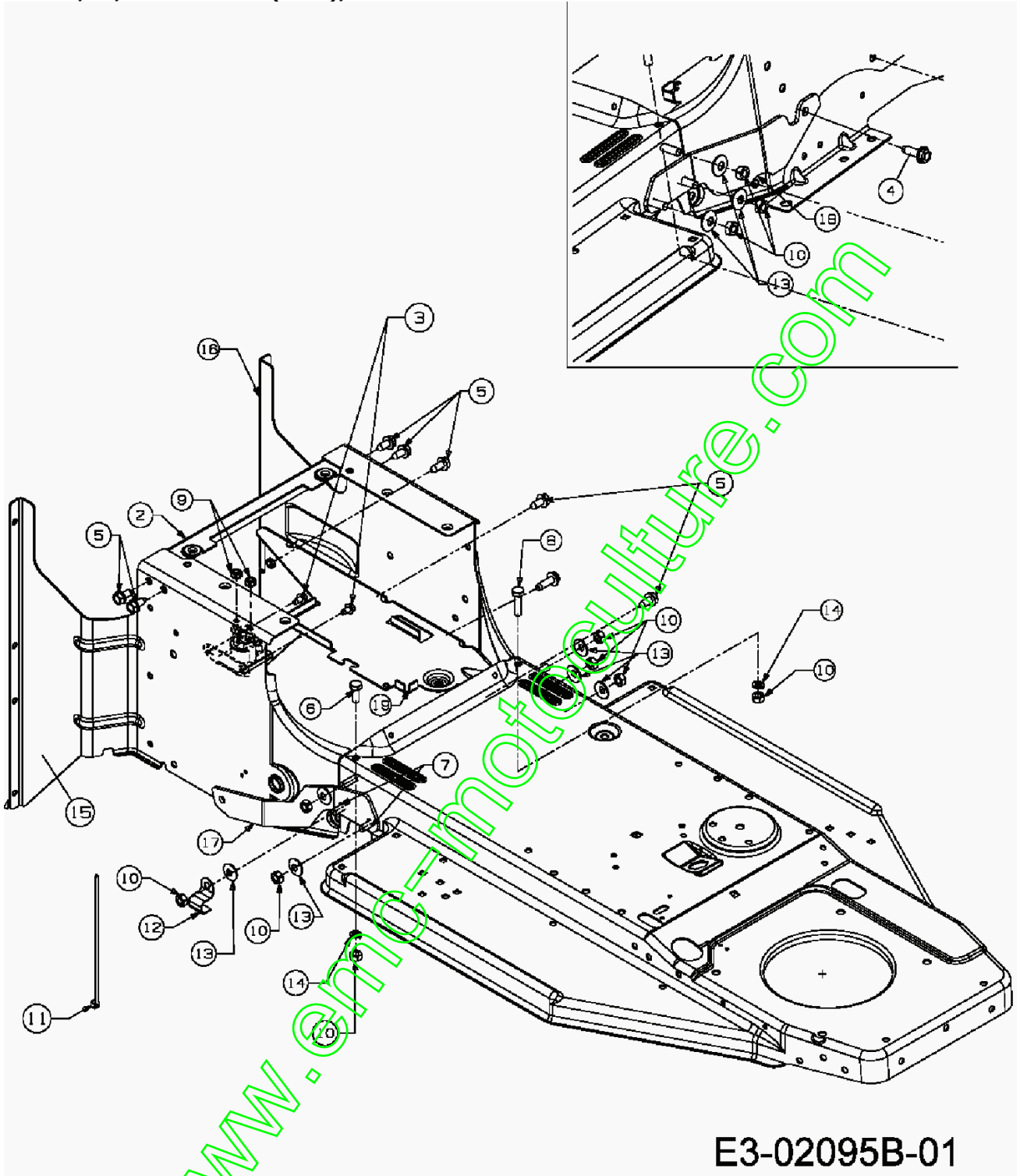


AT 512/06/13DH452E439 (2007)/Chassis

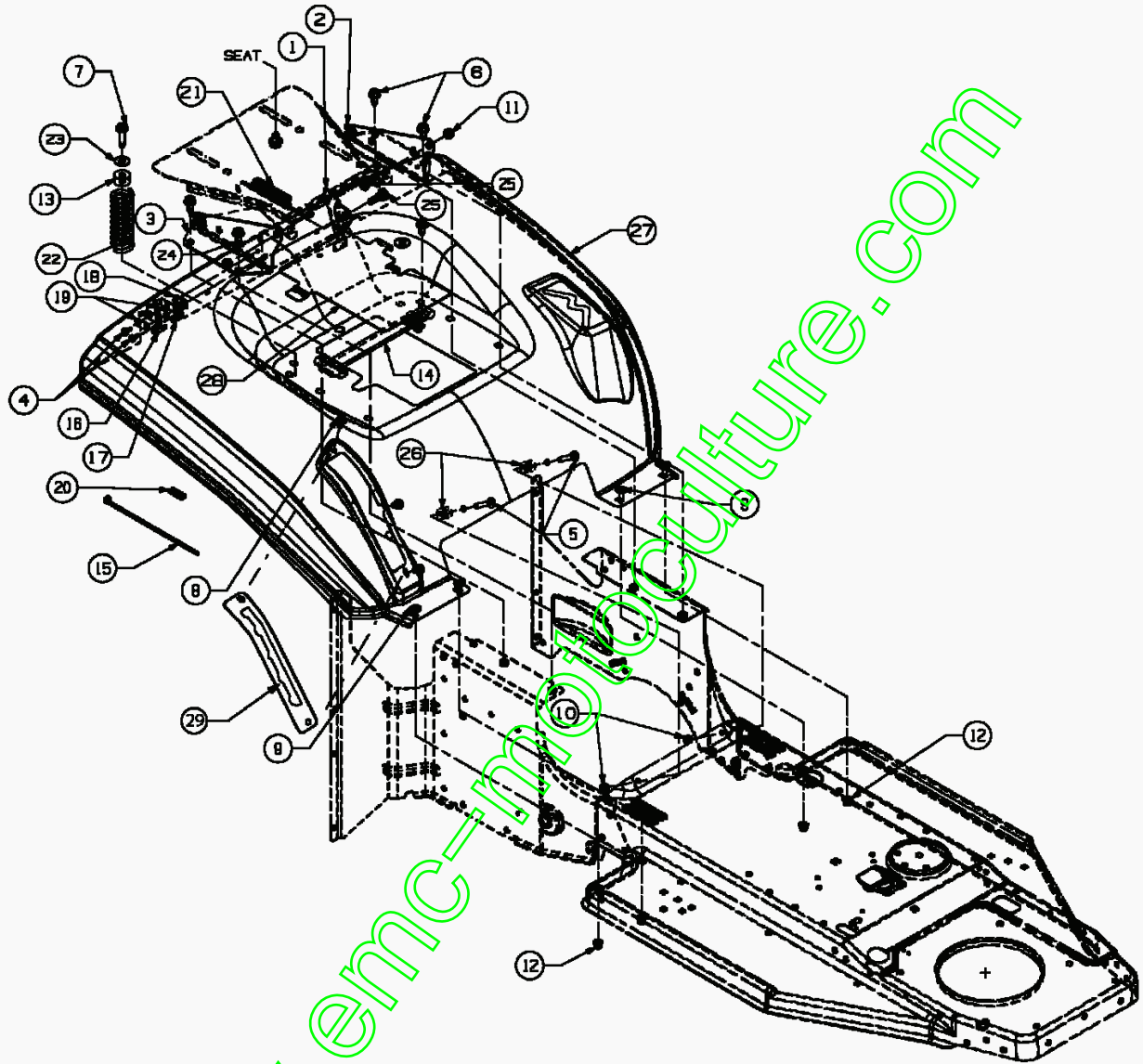


E3-02095B-01

Chassis

Position	Partnumber	Quantity	Designation	Standard	Additional
1	17588G	1			
2	683-0287	1	SUPPORT ARRIERE	(SCHWEISSEN BEI LIEFERANT)	
3	710-0599	2	VIS	FINISH:MTD SPEC-701-01002	
4	710-0602	1	VIS 5/16-18:1.00:HXIND	FINISH:MTD SPEC-701-01002	
5	710-0726	7	VIS 5/16-12:0.750:HXINDWS	FINISH:701-01002	
6	710-1681	1	VIS HEXAGONALE DIN 933	MTD SPEC-100015 21.1441.70	
7	710-1682	6	VIS HEXAGONALE DIN 933	FINISH:SPEC-100015 21.1441.72	
8	710-1683	1	VIS	FINISH:MTD701-01001 21.1441.74	
9	712-0271	2	ECROU 1/4-20"+ DISQUE DENTÉ	FINISH:701-010015	
10	712-0690	8	ECROU	FINISH:MTD701-01000 24.1421.18	
11	725-0157	1	COLLIER CABLE 3/16X.05x7.4	PB-Nr. 5652 schwarz	
12	726-0354	1	SUPPORT FUSEAU	400er SREIE	
13	736-0242	6	RONDELLE	FINIS:701-01001	
14	736-0649	2	RESSORT RONDELLE DIN 127	FINISH:SPEC-100015 24.8195.18	
15	783-04797	1			
16	783-0818A	1	CARTER GAUCHE		
17	783-0997	1	VERSTÄRKUNG RECHTS SEITENTEIL	HECKRAHMEN E-DECK,HYD A+F-DECK	
18	783-0998	1	VERSTÄRKUNG LINKS SEITENTEIL	HECKRAHMEN E-DECK,HYD A+F-DECK	
19	783-1073	1	CADRE ARRIERE	ERIE /0637	

www.emc-motoculture.com



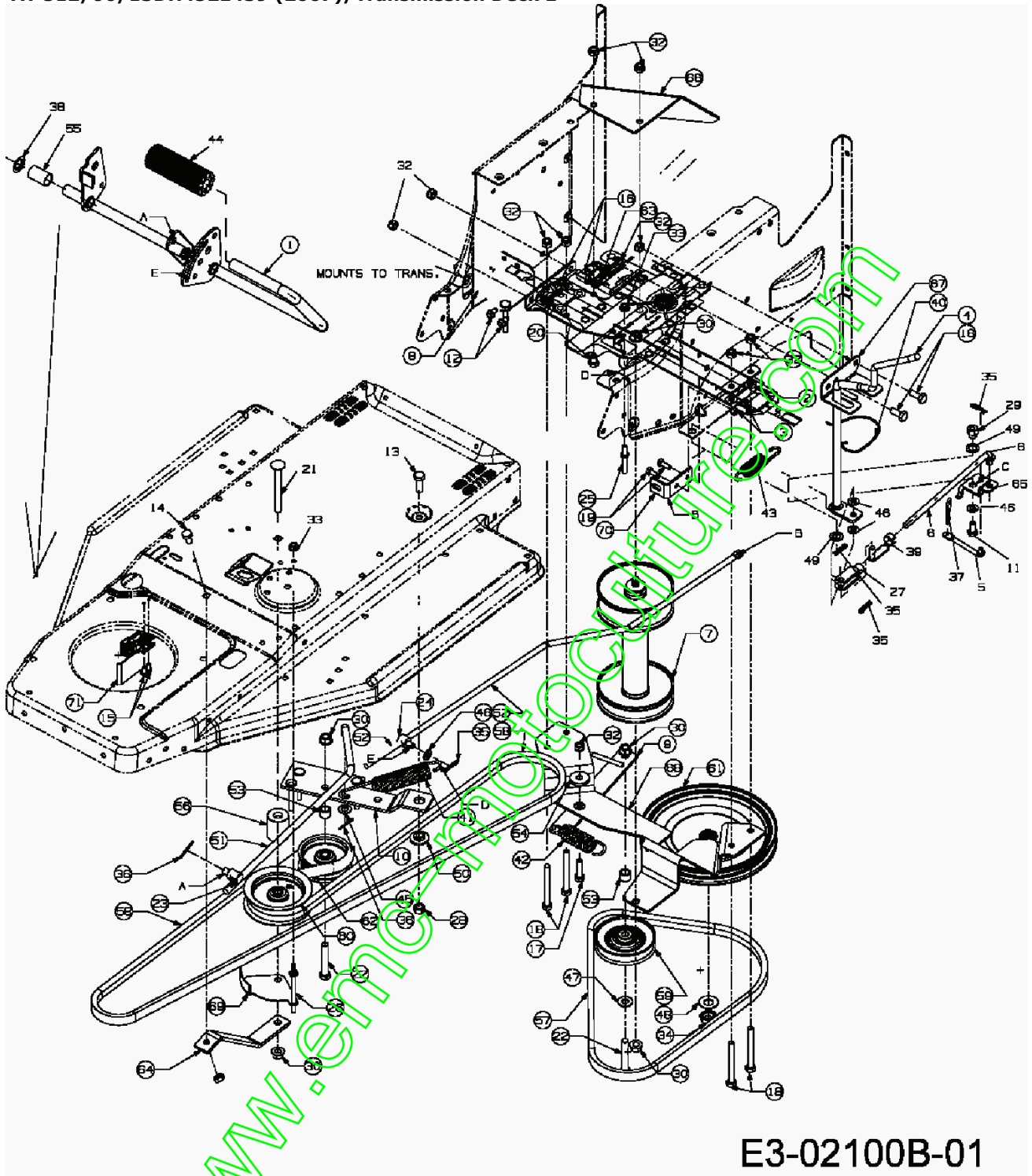
E3-02098A-01

Support de siège

Position	Partnumber	Quantity	Designation	Standard	Additional
1	17239C	1	KONTAKTHEBEL	FINISH:MTD STD 701-01002	
2	17703A	1	EQUERRE FIXATION GAUCHE	FINISH:LACKIERT	
3	17704	1	SUPPORT DE FIXATION DROIT	17704-0637	
4	710-0456	2	VIS	FINISH:701-01002	
5	710-0578	2	VIS	FINISH:701-01000	
6	710-0726	6	VIS 5/16-12:0.750:HXINDWS	FINISH:701-01002	
7	710-0817	2	VIS	FINISH:MTD SPEC-701-01002	
8	710-1017	3	VIS	FINISH:MTD SPEC-100016	
9	710-1687	4	VIS	FINISH:Zn5glcB 22.3419.12	
10	712-0324	2	ECROU:1/4-20:GR8:NYLON	FINISH:701-01000	
11	712-0429	2	ECROU:5/16-18:GR5:NYLON	FINISH:701-01000	
12	712-0713	4	ECROU	DIN 6926 MTD SPEC-100015	
13	722-0160	2	RONDELLE ELASTOMER	722-0160	
14	723-0444	1	SANGLE BATTERIE	FINISH:SCHWARZ	
15	725-0157	1	COLLIER CABLE 3/16X.05x7.4	PB-Nr. 5652 schwarz	
16	725-1303	1	EPINGLE	FÜR SI.-SCHALTER SITZ	
17	725-1439	1	SECURITE SIEGE	FÜR SI.-SCHALTER SITZ	
18	726-0278	1	PLAQUE / ISOLATION	FINISH:NATUR ODER SCHWARZ	
19	726-0279	2	PLAQUE D ISOLATION	FINISH:NATUR ODER SCHWARZ	
20	731-0511	2	PROTECTION ANGLES	FINISH:SCHWARZ, SIEHE ZG.	
21	732-0581B	1	RESSORT	732-0581B	
22	732-0588	2	RESSORT	732-0588	
23	736-0159	2	RONDELLE .349 X 88X.06"	FINISH:701-01000	
24	736-0607	1	RONDELLE	FINISH:MTD STD 701-01001	
25	738-0296	2	VIS	FINISH:701-01000	
26	750-1205	2	ENTRETOISE: .2756ID X .9539OD		
27	783-0584A	1	SITZWANNE:400 TRANSMATIC		
28	783-0884	1	BATTERIEDECKEL	92 CM- HYDRQ 400 - SCHWARZ-	
29	783-0872	1	PLAQUE HAUTEUR DE COUPE	7-FACH	

www.emc-motoculture.com

AT 512/06/13DH452E439 (2007)/Transmission Deck E



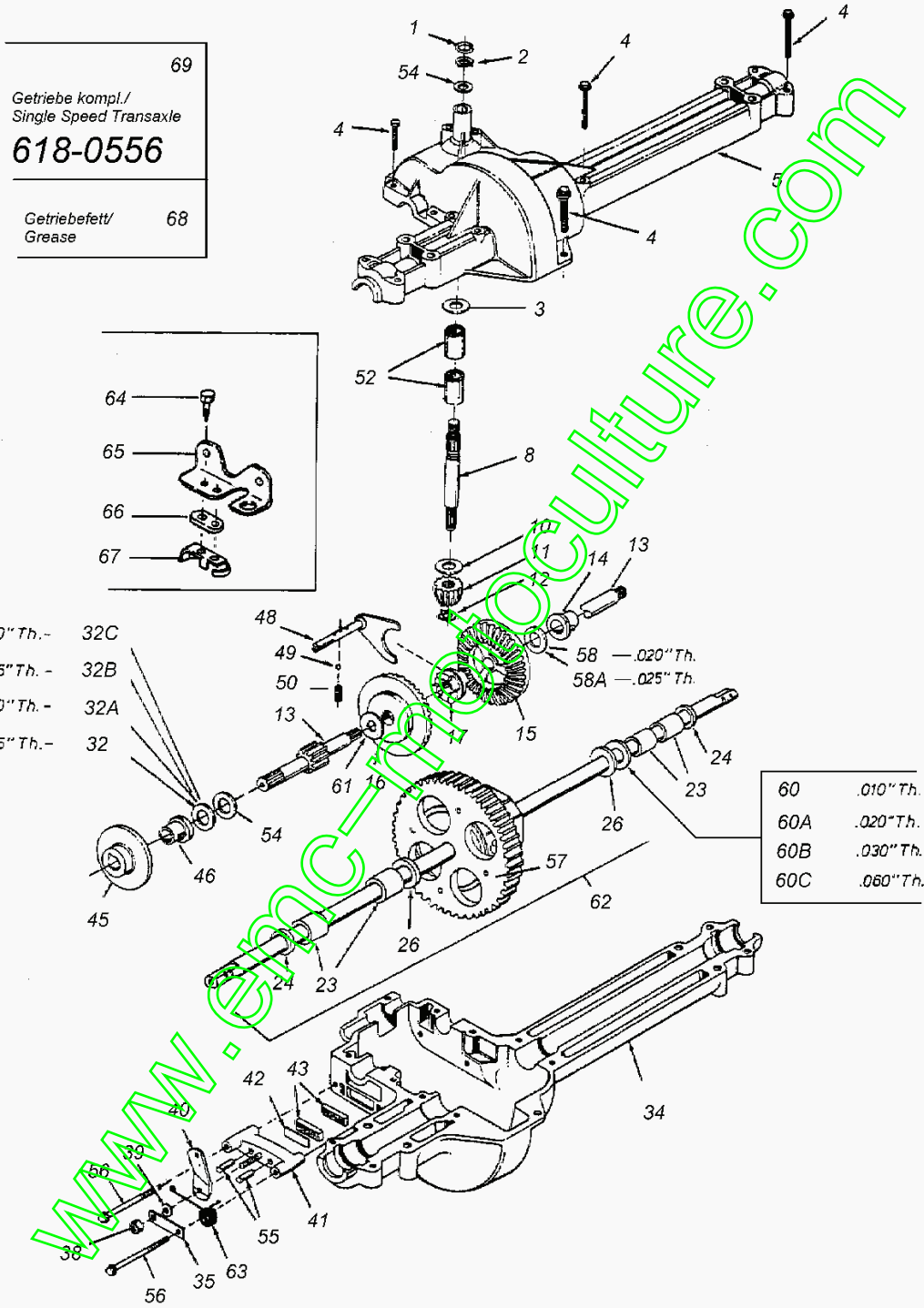
Transmission Deck E

Position	Partnumber	Quantity	Designation	Standard	Additional
1	17644A	1	PEDALE D EMBRAYAGE ET FREINS	SCHWEIßTEIL:LACKIERT	
2	17840-Z	1	SUPPORT		
3	618-0556A	1	BOITE DE VITESSE COMPLETE		
4	647-0075-Z	1	LEVIER INVERSEUR		
5	647-0076-Z	1	TRINGLE		
6	647-0077	1	TRINGLE	SCHWEIßTEIL VERZINKT	
7	656-04029	1	POULIE VARIATEUR	VARIO-SPEED 741-04149	
8	683-0335	1	CARTER	400er E-DECK TRANS/AUTO-DR.	
9	683-0336	1	CARTER	400er E-DECK TRANS/AUTO-DR.	
10	683-0429A-Z	1	TENDEUR		
11	710-0538	1	VIS	FINISH:701-01000	
12	710-0599	2	VIS	FINISH:MTD SPEC-701-01002	
13	710-1039	1	VIS	FINISH:MTD STD 701-01000	
14	710-1376	1	VIS M8X16-8.8 DIN 933	FINISH:701-01000 21.1441.68	
15	710-1388	2	VIS TIN BZ 4,8x13 DI 7981	MTD SPEC-100015 22.6417.44	
16	710-1681	4	VIS HEXAGONALE DIN 933	MTD SPEC-100015 21.1441.70	
17	710-1683	1	VIS	FINISH:MTD701-01001 21.1441.74	
18	710-1685	4	VIS	M8X75-8.8 ZN5GL CB 21.1443.83	
19	710-1690	2	VIS	MTD SPEC-100015 21.1441.46	
20	710-1714	2	VIS	MTD SPEC-100015 21.1441.67	
21	710-1813	1	VIS		
22	710-3011	2	VIS	FINISH:701-01000	
23	711-0198	1	AXE	711-0198	
24	711-0677	1	EMBOUT- EX 711-0611	FINISH:VERZINKT SIEHE ZG	
25	711-0993	1	GUIDE COURROIE	FINISH:701-01006 911-0993	
26	711-1000	1	GUIDANCE COURROIR 25 X 3.0	911-1000	
27	711-1407	1	TETE DE FOURCHE ZN5GL CB DIN71	Zn5glcB 9S20K 28.6218.17	
28	712-0214	1	ECROU POLY STOP 3/8-24" GR:B	FINISH:701-01000	
29	712-0329	1	ECROU	712-0329/912-0329	
30	712-0431	5	ECROU STOP 3/8-16	FINISH:MTD SPEC-100015	
31	712-0691	2	ECROU	MTD SPEC-100015 24.1426.14	
32	712-0692	12	ECROU	FINISH:SPEC-100015 24.1426.18	
33	712-3027	2	ECROU	FINISH:701-01000	
34	712-3035	1	ECROU	FINISH:701-01000 912-3035	
35	714-0104	4	GOUPILLE	FINISH:PHOS AND OIL	
36	714-0111	2	EPINGLE	FINISH:GELBVERZINKT	
37	714-0149B	1	GOUPILLE FENDUE 1/2"	714-0149B	
38	726-04028	1	CLIPS		
39	726-0457	1	ES - ATTACHE DIN 71752	9S20K 25.9425.12	
40	732-0525	1	RESSORT	732-0525	
41	732-0971	1	RESSORT	FINISH:SIEHE ZG.	
42	732-1015A	1	RESSORT		
43	732-1029	1	RESSORT		
44	735-0239	1	CAOUTCHOUC/PEDALE 4.0 LG	FINISH:SCHWARZ	
45	736-0185	1	RONDELLE 3/8.738X.063	FINISH:701-01000	
46	736-0264	2	RONDELLE 330 IDX.0630 X .06	FINISH:701-01000 936-0264	
47	736-0300	1	RONDELLE .406X.875 X .059	FINISH:MTD SPEC-100015	
48	736-0427	1	RONDELLE	FINISH:701-01001	
49	736-3024	1	RONDELLE	FINISH:701-01000	
50	738-0347	1	DOUILLE/ ENTRETOISE / 625 X 1	FINISH:	
51	747-1232	1	TRINGLE	VERZINKT	
52	747-1289	1	TIGE DE FREIN	VERZINKT	
53	748-0270	2	DOUILLE		
54	748-0331	1	ENTRETOISE	748-0331	
55	750-0800	1	ENTRETOISE / DUILLE 640IDX.760	750-0800	
56	750-1130	1	ENTRETOISE		
57	754-0468	1	COURROIE VARIATEUR/BOITE	POLY 954-0468	
58	754-0492	1	COURROIE MOTEUR/VARIATEUR		
59	756-0399	1	POULIE	756-0399 / 956-0399	
60	756-0643A	1	POULIE TENDEUR PLATE PLASTIQUE		
61	756-0950	1	POULIE	8.0 x 5/8-36 FINISH:SIEHE ZG.	
62	756-0981A	1	POULIE TENDEUR		
63	783-0823A	1	SUPPORT DROITE		
64	783-0988	1	LEVIER DIRECTION		
65	783-0990	1	CONSOLE LEVIER DIRECTION	VERZINKT	
66	783-0991	1	GRASABWEISBLECH	SCHWARZ GEPULVERT	
67	783-1016B	1	SUPPORT INVERSEUR	(VERZINKT AUS USA)	
68	783-1070A	1	SUPPORT VARIATEUR		
69	783-1087	1	GUIDE COURROIE	783-1087-0637	
70	783-1092A	1			
71	783-1113A	1	SUPPORT		
72	720-0232	1	POIGNEE	FINISH:SCHWARZ	

AT 512/06/13DH452E439 (2007)/Transmission cpl. 618-0556

GETRIEBE KOMPL./
SINGLE SPEED TRANSAXLE-L.H.

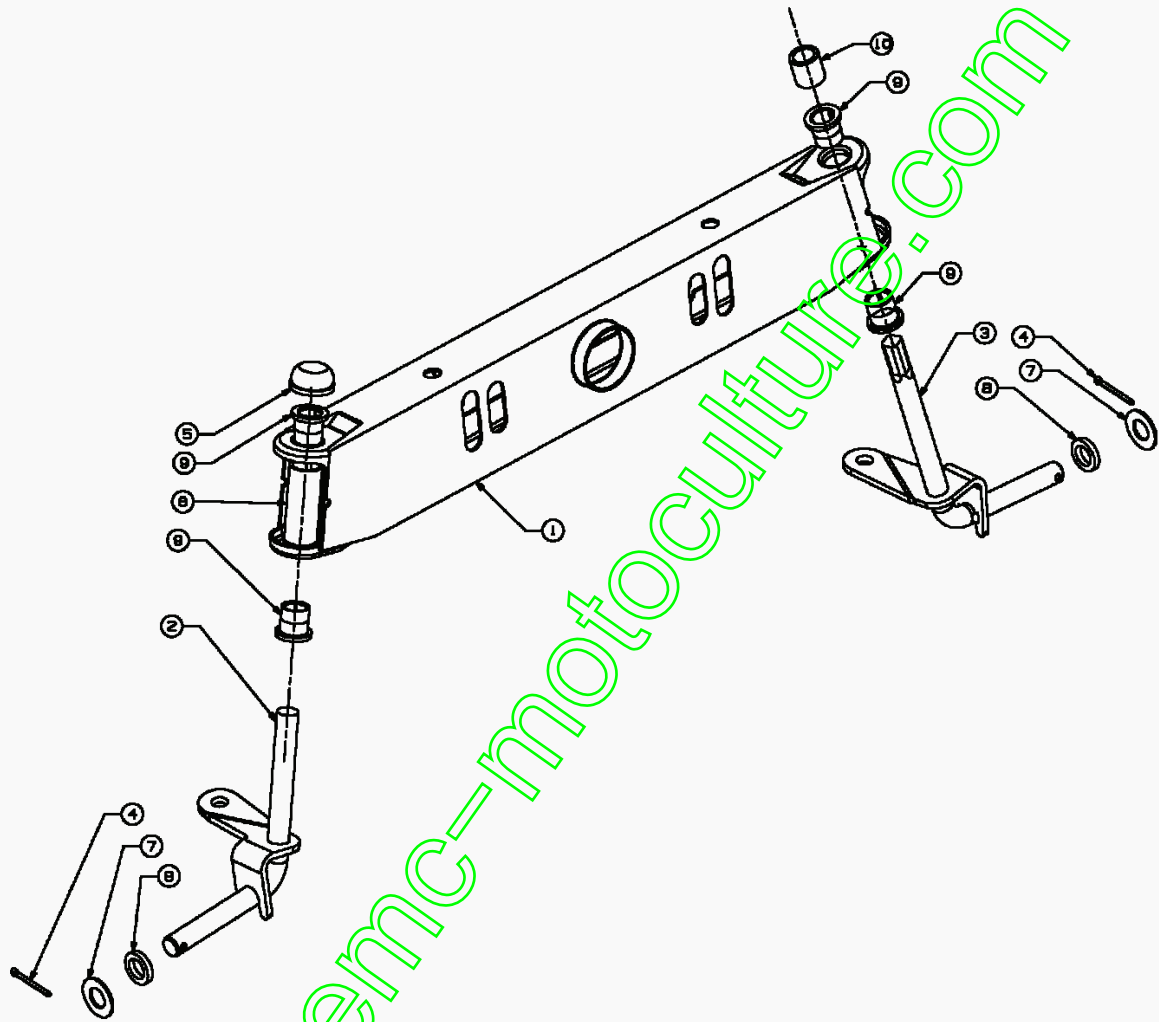
NUR FÜR 400-ER TRAKTOREN MIT 'E'-DECK
RIDER WITH MOWING DECK 'E' ONLY



E3-01525B-01

Transmission cpl. 618-0556

Position	Partnumber	Quantity	Designation	Standard	Additional
1	732-0614	1	CLIPS RESSORT	FINISH:ZINC PHOSPHATE	
2	716-0231	1	CIRCLIPS	FINISH:PHOS & OIL 916-0231	
3	721-0213	1	JOINT / ANNEAU .625x.812x.094	721-0213	
4	710-1325	13	VIS	FINISH:MTD SPEC-701-01002	
5	719-0367	1	DEMI CARTER SUPERIEUR	719-0367 OBEN	
8	711-1109	1	ARBRE INPUT	711-1109	
10	736-0335	1	RONDELLE 1 5/8X1.25"X.06	FINISH:SIEHE ZG.	
11	717-1464	1	ROUE 14 DENTS	FINISH:HITZEBEHANDELTE	
12	716-0108	1	CLIPS	716-0108/916-0108	
13	711-1016	1	ARBRE	711-1016/911-1016	
14	741-0336	1	SUPPORT DE BRIDE 1.5/8X3/4"	FINISH:SIEHE ZG. 941-0336	
15	717-1362	1	PIGNON CONIQUE 42 DENTS PT US	717-1362 / 917-1362	
16	717-1363	1	PIGNON CONIQUE 42 DENTS GR US	717-1363/917-1363	
17	718-0228	1	CRABOT	718-0228	
23	741-0340	4	DOUILLE 1,3/4X1,0" lg	741-0340 / 941-0340	
24	721-0338	2	JOINT	.75x1.00x.125	
26	736-0445	1	RONDELLE	FINISH:701-01001	
32	736-0495	1	RONDELLE 5/8X1X.25	FINISH:SIEHE ZG. 936-0495	
32A	736-0336	1	RONDELLE 5/8X1.00X.030	ZINC SIEHE ZG.	
32B	736-0494	1	RONDELLE	FINISH:SIEHE ZG.	
32C	736-0337	1	RONDELLE 5/8 IDX1.0 ODX.040	FINISH:701-01001 936-0337	
34	719-0313B	1	DEMI CARTER INFERIEUR	719-0313B UNTEN	
35	718-0150	1	ECLISSE	FINISH:VERZINKT SIEHE ZG.	
38	712-0273	1	ECROU HEXAGONAL 5/16-24"	FINISH:MTD STD 701-01000	
39	736-0371	1	RONDELLE 1.344XA .875"	FINISH:701-01001	
40	717-0772A	1	LEVIER DE FREIN	717-0772A	
41	761-0198	1	CARTER FREIN	761-0198	
42	717-0682	1	PLAQUE	FINISH:NONE 917-0682	
43	717-0678	1	PLAQUETTE DE FREIN	917-0678	
45	761-0202	1	DISQUE / FREIN	FINISH:ÖL UND FETTFREI	
46	741-0337	1	SUPPORT DE BRIDE 1.5/8X15/16"	941-0337	
48	611-0011	1	FOURCHETTE	611-0011 / 911-0011	
49	741-0862	1	BILLE	741-0862	
50	732-0863	1	RESSORT 225 x 50 "	732-0863 / 932-0863	
52	741-0335	2	ROULEMENT 1,5/8X1/2" LG	741-0335 / 941-0335	
54	736-0349	1	RONDELLE 5/8 IDX10 OD X .020	FINISH:SIEHE ZG.	
55	741-0343	2	CHEVILLE / PRESSION 5/16"	941-0343	
56	710-1206	2	VIS	FINISH:MTD SPEC-701-01002	
57	717-1364	1	PIGNON CÔNIQUE 58 Z	717-1364	
58	736-0349	1	RONDELLE 5/8 IDX10 OD X .020	FINISH:SIEHE ZG.	
58A	736-0495	1	RONDELLE 5/8X1X.25	FINISH:SIEHE ZG. 936-0495	
60	736-0492	1	RONDELLE 76X1.5X.010	736-0492 / 936-0492	
60A	736-0493	1	RONDELLE 76X1.5X.020	736-0493/936-0493	
60B	736-0351	1	RONDELLE .75x1.50"	736-0351/936-0351	
60C	736-0445	1	RONDELLE	FINISH:701-01001	
61	736-0519	1	RONDELLE	736-0519/936-0519	
62	618-0233	1	AXE COMPLET	618-0233/918-0233	
63	732-0743	1	RESSORT	FINISH:ZINC PHOS&OIL 932-0743	
64	710-0227	2	VIS: #8-18:0.500.HXIN	FINISH:MTD STD 701-01002	
65	718-0238	1	SUPPORT	718-0238-0637	
66	726-0320	1	PLAQUE / ISOLATION	FINISH:NATUR ODER SCHWARZ	
67	725-1644	1	SECURITE	FINISH:VERZINKT SIEHE ZG.	
68	737-0148	1	GRAISSE		
69	618-0556	1	TRANSMISSION COMPLETE		



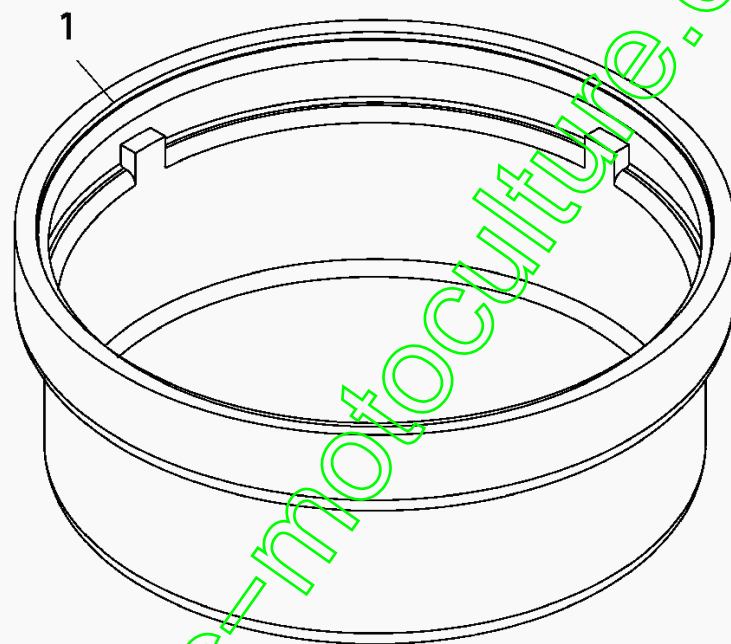
E3-02103A-01

Essieu avant

Position	Partnumber	Quantity	Designation	Standard	Additional
1	683-0002B	1			
2	683-04140	1	ACHSSCHENKEL KPLT.RE. 15X6	400er PAINT: SCHWARZ	
3	683-04141	1	ACHSSCHENKEL KPLT.LI. 15X6	400er SHORT SCHWEIßTEIL	
4	714-0470	2	EPINGLE EX AF-43010	FINISH: PHOS & OIL 470 32 32	
5	726-0214	1	BOUCHON COUVERCLE 5/8"	FINISH: SCHWARZ	
6	731-04057A	2	PALIER DE GRAISSAGE	LT5: MATERIAL PP SCHWARZ	
7	736-0187	2	RONDELLE .64X1.24X.06	FINISH: 701-01001	
8	736-0531A	2	RONDELLE		
9	741-0487C	4	BAGUE	FINISH: BLACK	
10	750-0118	1	ENTRETOISE / DUILLE 632X.88X.9	750-0118	

www.emc-motoculture.com

AT 512/06/13DH452E439 (2007)/Chapeau de roue

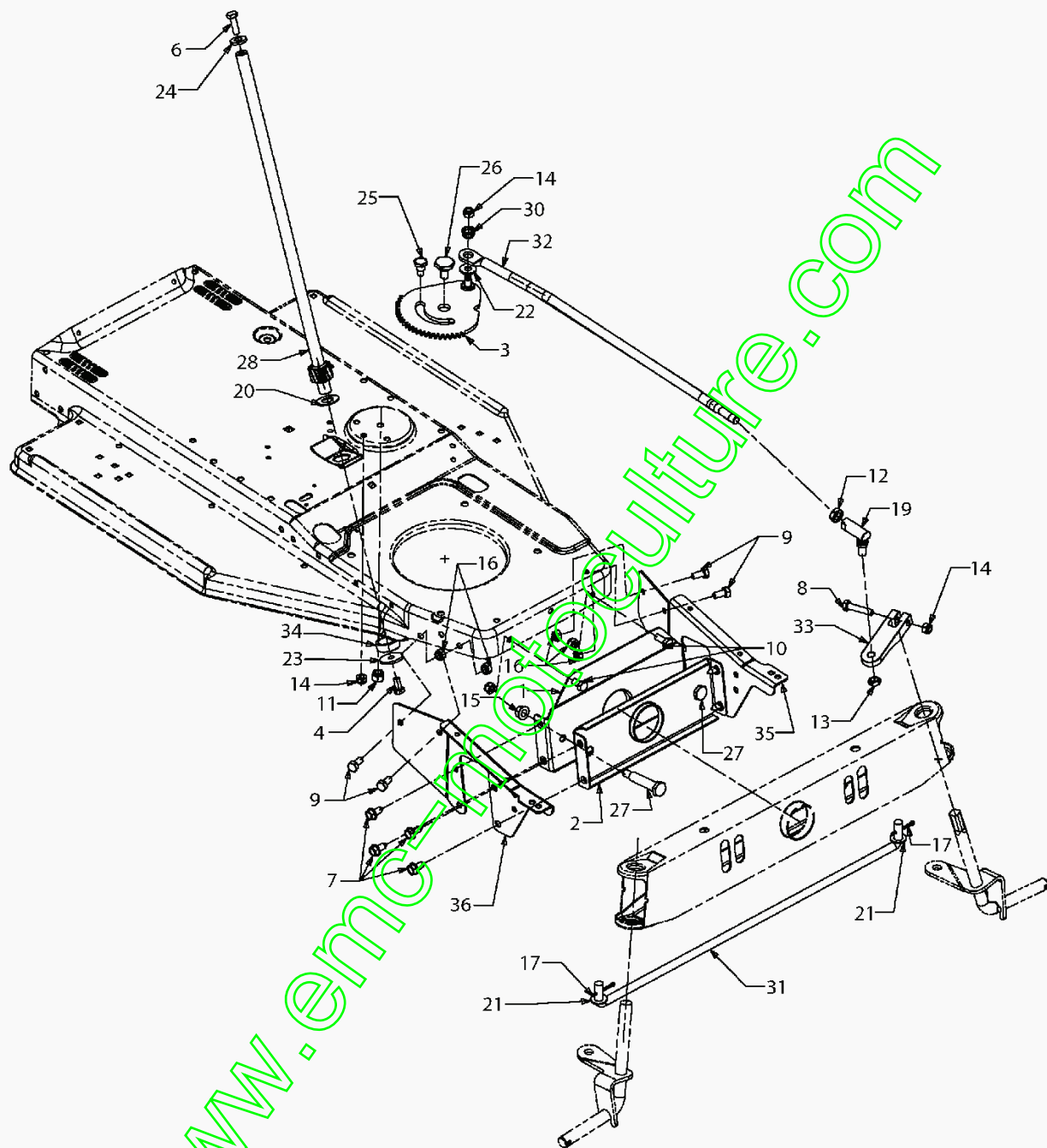


E3-02002B-01

Chapeau de roue

Position	Partnumber	Quantity	Designation	Standard	Additional
1	731-0484A	2	ENJOLIVEUR	FINISH: SCHWARZ 931-0484A	

www.emc-motoculture.com

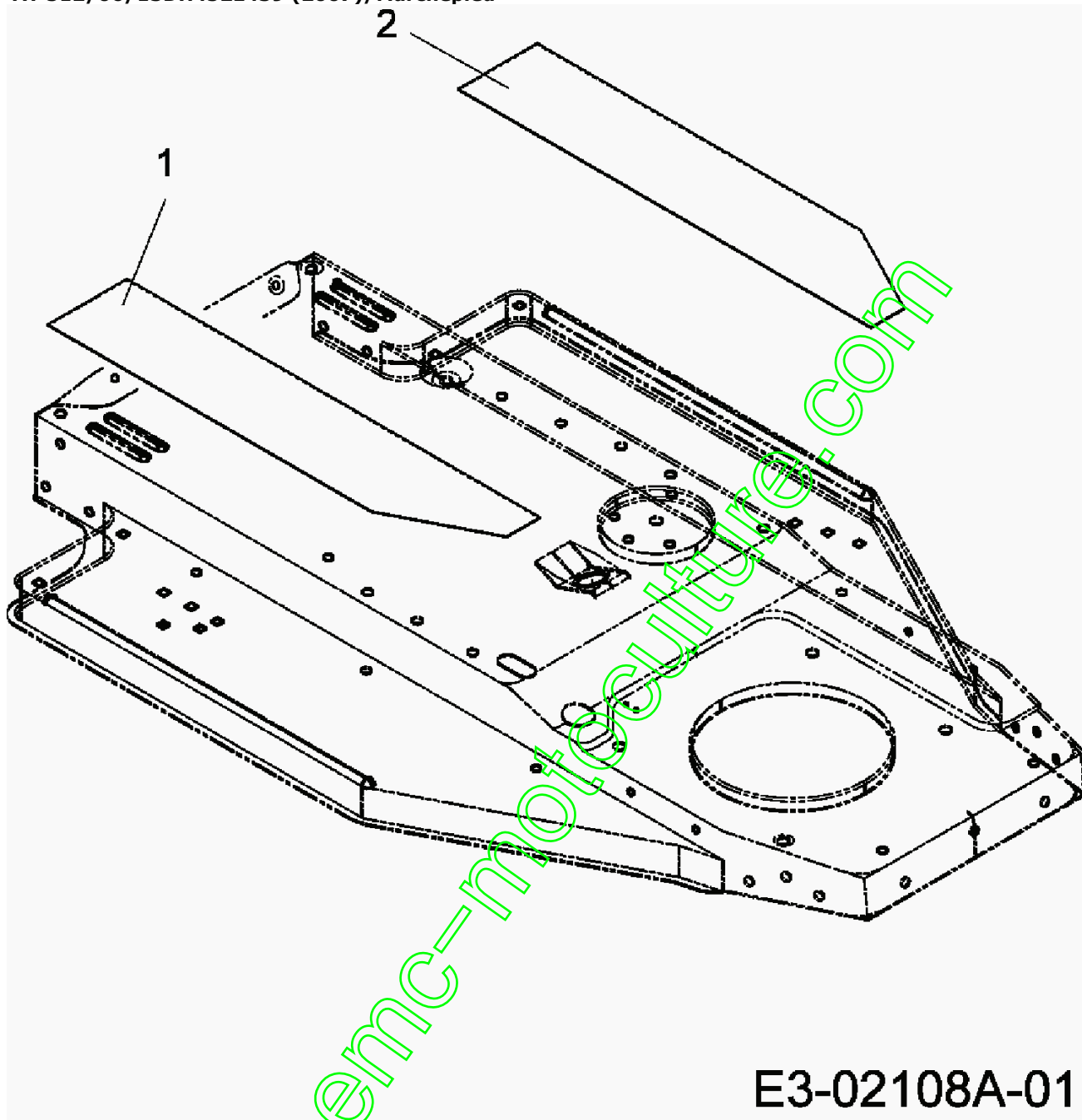


E3-02105A-01

Sys. Direction

Position	Partnumber	Quantity	Designation	Standard	Additional
1	17547	1	SUPPORT	17547	
2	17548	1	SUPPORT	17548 SCHWARZ GEPULVERT	
3	617-04010	1	LENKSEGMENT VOLLST. 400		
4	710-0538	1	VIS	FINISH:701-01000	
5	710-0602	1	VIS 5/16-18:1.00:HXIND	FINISH:MTD SPEC-701-01002	
6	710-0643	1	VIS	LOCTITE MICROVERKAPSELT	
7	710-0726	7	VIS 5/16-12:0.750:HXINDWS	FINISH:701-01002	
8	710-0805	1	VIS	FINISH:701-01000	
9	710-1376	6	VIS M8X16-8.8 DIN 933	FINISH:701-01000 21.1441.68	
10	710-1681	2	VIS HEXAGONALE DIN 933	MTD SPEC-100015 21.1441.70	
11	712-0130	1	ECROU POLY STOP 3/8-16" GR 8	FINISH:701-01000	
12	712-0240	1	ECROU 7/16-20 : GR 2	FINISH:MTD STD 701-01000	
13	712-0262	1	ECROU	FINISH:701-01000	
14	712-0429	3	ECROU:5/16-18:GR5:NYLON	FINISH:701-01000	
15	712-0431	2	ECROU STOP 3/8-16	FINISH:MTD SPEC-100015	
16	712-0692	6	ECROU	FINISH:SPEC-100015 24.1426.18	
17	714-0470	2	EPINGLE EX AF-43010	FINISH:PHOS & OIL 470 32 32	
19	723-0448A	1	ROTULE DE DIRECTION 7/16-20	FINISH:GELBVERZINKT	
20	736-0187	1	RONDELLE .64X1.24X.06	FINISH:701-01001	
21	736-0226	2	RONDELLE	FINISH:701-01000	
22	736-0262	1	RONDELLE	FINISH:701-01000	
23	736-0343	1	RONDELLE .330 ID X 1.25 X .12	FINISH:701-100015	
24	736-3004	1	RONDELLE	FINISH:701-01000	
25	738-0141	1	AXE		
26	738-0322	1	AXE	FINISH:VERZINKT SIEHE ZG.	
27	738-0527	2	BOULON	738-0527	
28	738-0937	1	ARBRE DE DIRECTION		
29	741-0225	1	BAGUE HEXAGONALE TEFLON 6 PANS	FINISH:Schwarz	
30	741-0475	1	BAGUE PLASTIQUE	741-0475/941-0475	
31	747-04008	1	TRINGLE DE DIRECTION	747-04008	
32	747-04182	1	TRINGLE DE DIRECTION	FINISH: SIEHE ZG.	
33	748-04014B	1	BIELLETTE DE DIRECTION	948-04014B	
34	750-0532	1	ENTRETOISE 980IDX1.250DX.0420		
35	783-0255B	1	SUPPORT GAUCHE	783-0255B-0637	
36	783-0256B	1	SUPPORT DROITE	SCHWARZ GEPULVERT	

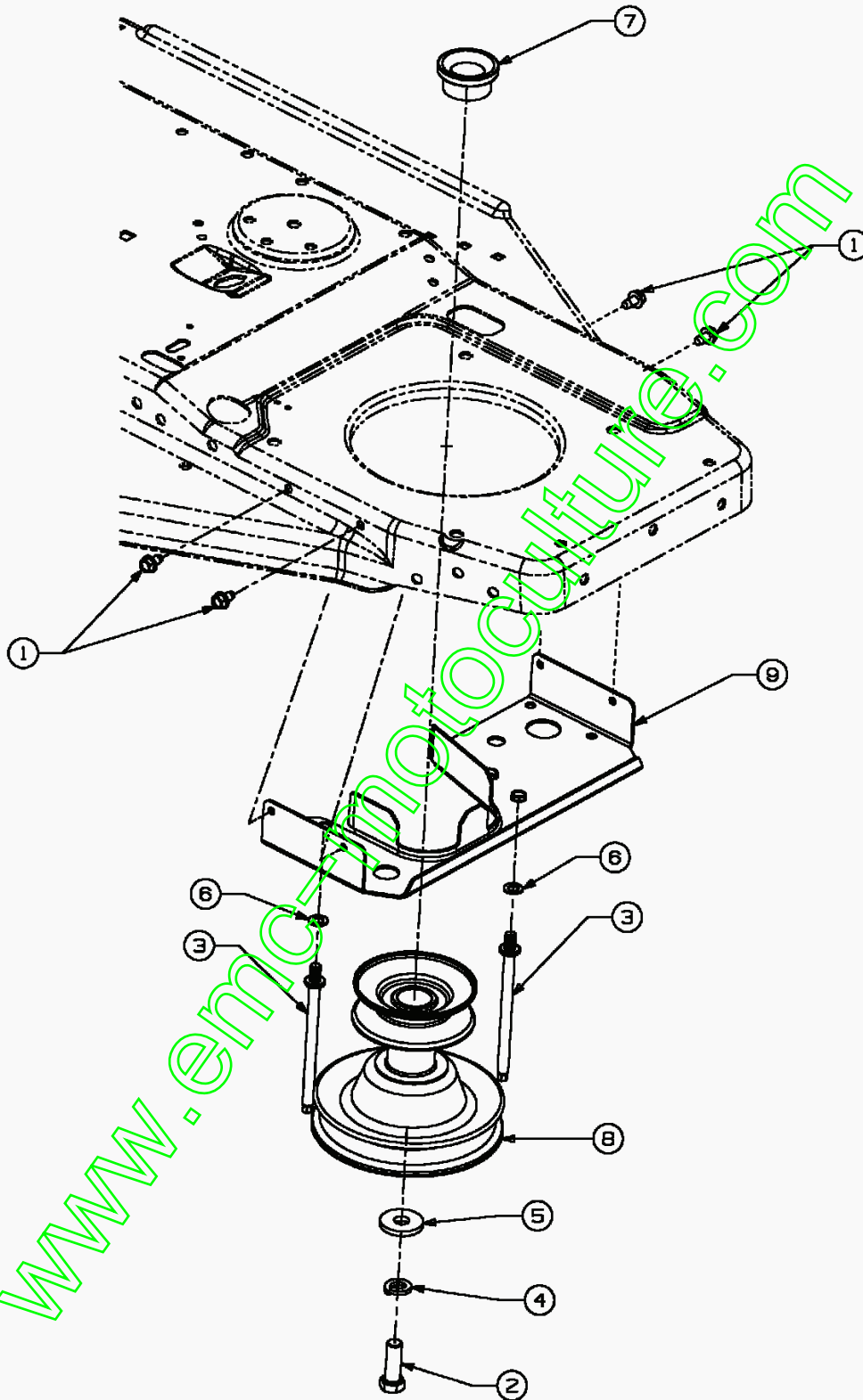
AT 512/06/13DH452E439 (2007)/Marchepied



Marchepied

Position	Partnumber	Quantity	Designation	Standard	Additional
1	723-0474	1	BANDE ANTI-DERAPANTE DR	Antirutschbelag A.Nr9339705050	
2	723-0475	1	REVETEMT MARCHP. GAUCH SS tro	Antirutschbelag ANr.9339605050	

www.emc-motoculture.com

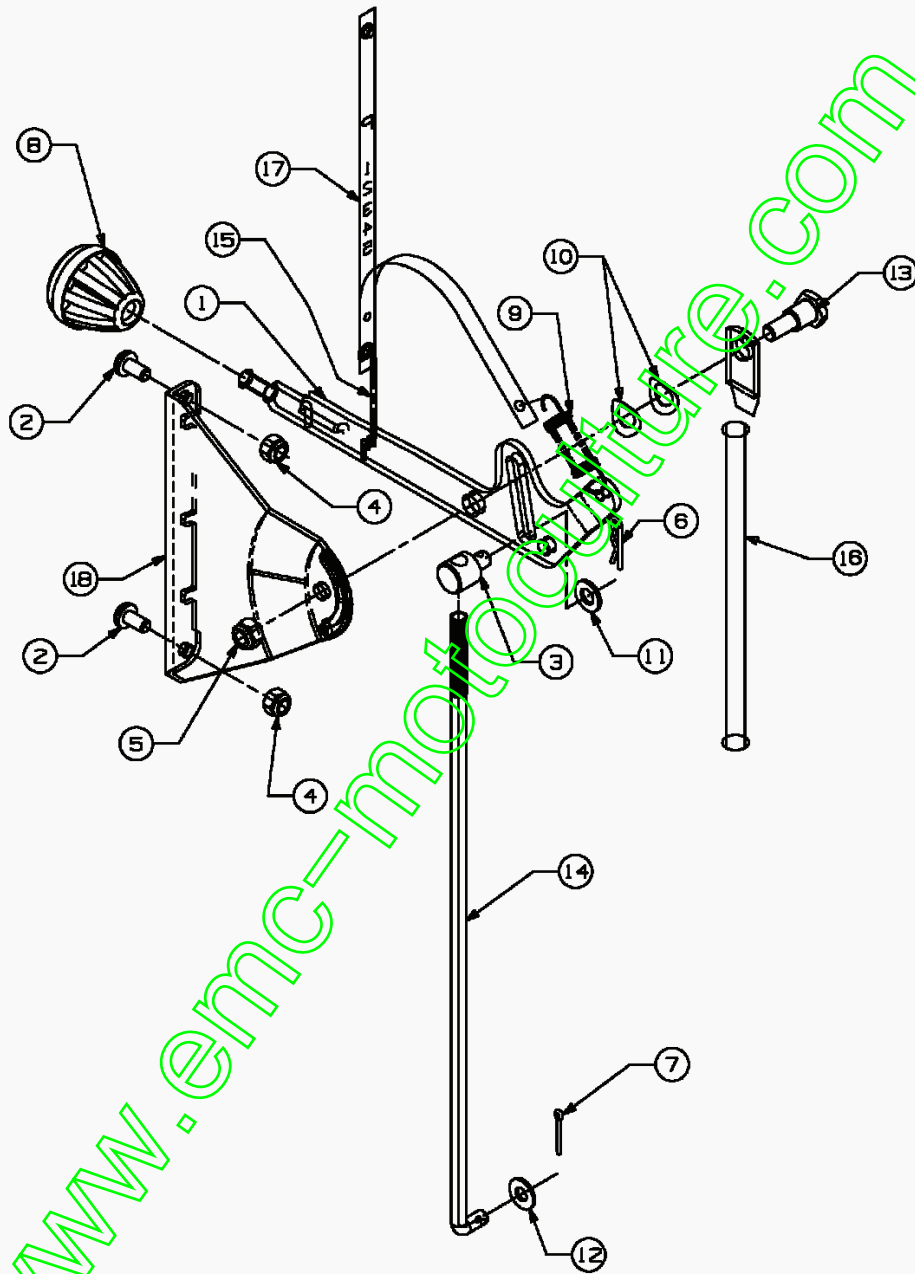


E3-02111A-01

Poulie moteur

Position	Partnumber	Quantity	Designation	Standard	Additional
1	710-0599	4	VIS	FINISH:MTD SPEC-701-01002	
2	710-3029	1	VIS	FINISH:701-01000	
3	711-1239	2	GUIDE COURROIE	400er Serie:FINISH:PHOS & OIL	
4	736-0171	1	RONDELLE 7/16"	FINISH:MTD STD 701-01001	
5	736-0322	1	RONDELLE .450 X 1.250 X .164	936-0322 / FINISH:701-01001	
6	736-0708	2	RONDELLE	SCHNORR D 8 24.8190.18	
7	750-0956	1	ENTRETOISE 1,010x1.400x.825	750-0956	
8	756-0982B	1	POULIE DOUBLE MOTEUR	3.56 X 5.56 DIA:SPEC 701-01000	
9	783-1109A	1	PROTEGE COURROIE	SCHWARZ	

www.emc-motoculture.com



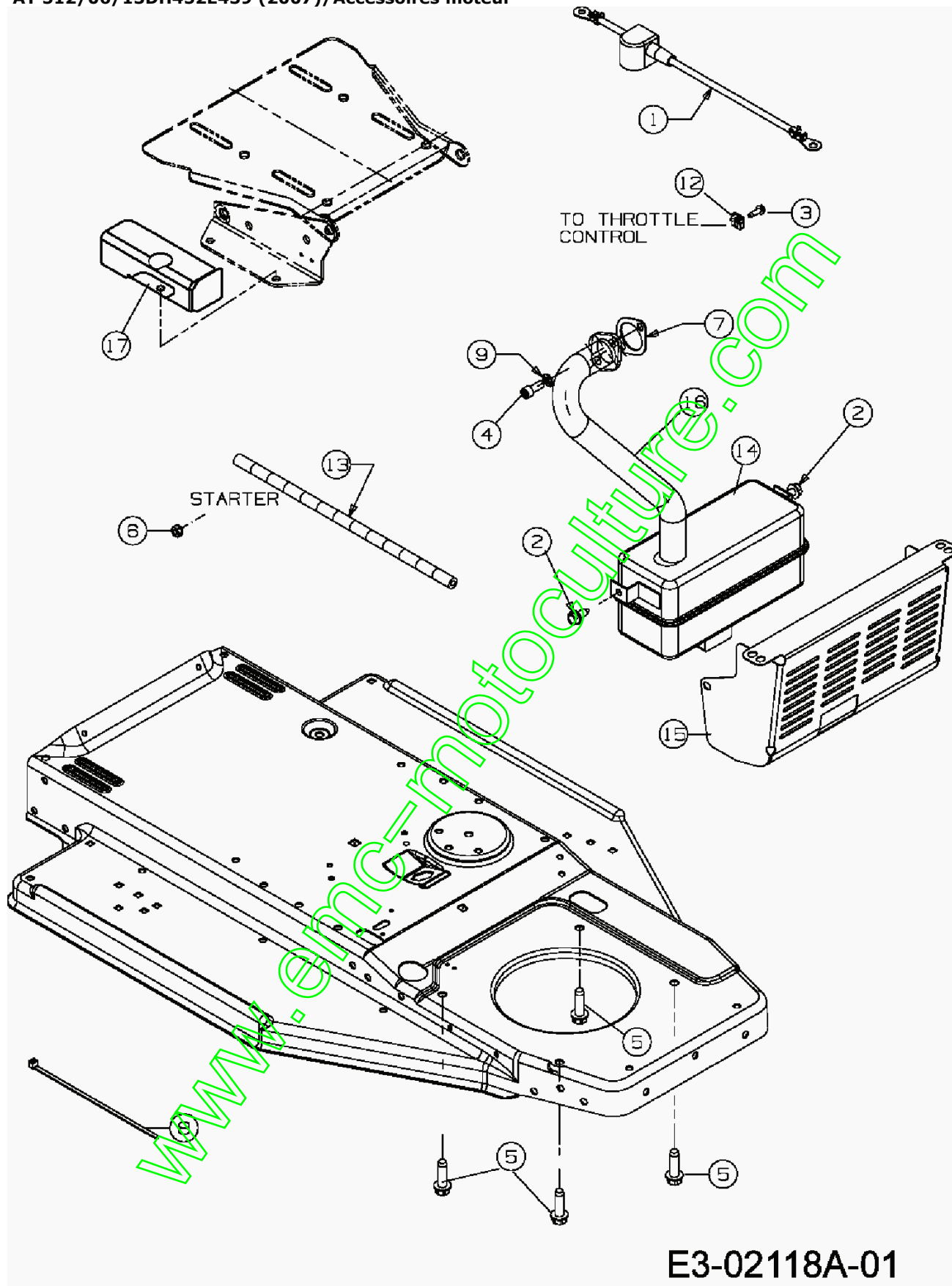
E3-02112A-01

Commande de direction

Position	Partnumber	Quantity	Designation	Standard	Additional
1	17457B	1	LEVIER DE VITESSE	FINISH:VERZINKT SIEHE ZG.	
2	710-0286	2	VIS 1/4-20X;50"	FINISH:701-01000	
3	711-0677	1	EMBOUT- EX 711-0611	FINISH:VERZINKT SIEHE ZG.	
4	712-0324	2	ECROU:1/4-20:GR8:NYLON	FINISH:701-01000	
5	712-0429	1	ECROU:5/16-18:GR5:NYLON	FINISH:701-01000	
6	714-0104	1	GOUPILLE	FINISH:PHOS AND OIL	
7	714-0507	1	EPINGLE	FINISH:701-01000	
8	720-0232	1	POIGNEE	FINISH:SCHWARZ	
9	732-0691	1	RESSORT	732-0691	
10	736-0141	2	RONDELLE	FINISH:701-01001	
11	736-0264	1	RONDELLE 330 IDX.0630 X .06	FINISH:701-01000 936-0264	
12	736-0463	1	RONDELLE	FINISH:701-01000	
13	738-0138A	1	VIS	FINISH:MTD STD 701-01006	
14	747-0675A	1	TIGE FILETEE	747-0675A	
15	747-0816	1	CROCHET IND VIS	747-0816	
16	749-0836A	1	TRINGLE	749-0836A-0637	
17	683-0332	1	BANDE INDIC 5 VITS	TRANSMATIC	
18	783-0994	1	TRANSMATIC E-DECK	TANSMATIC E-DECK	

www.emc-motoculture.com

AT 512/06/13DH452E439 (2007)/Accessoires moteur

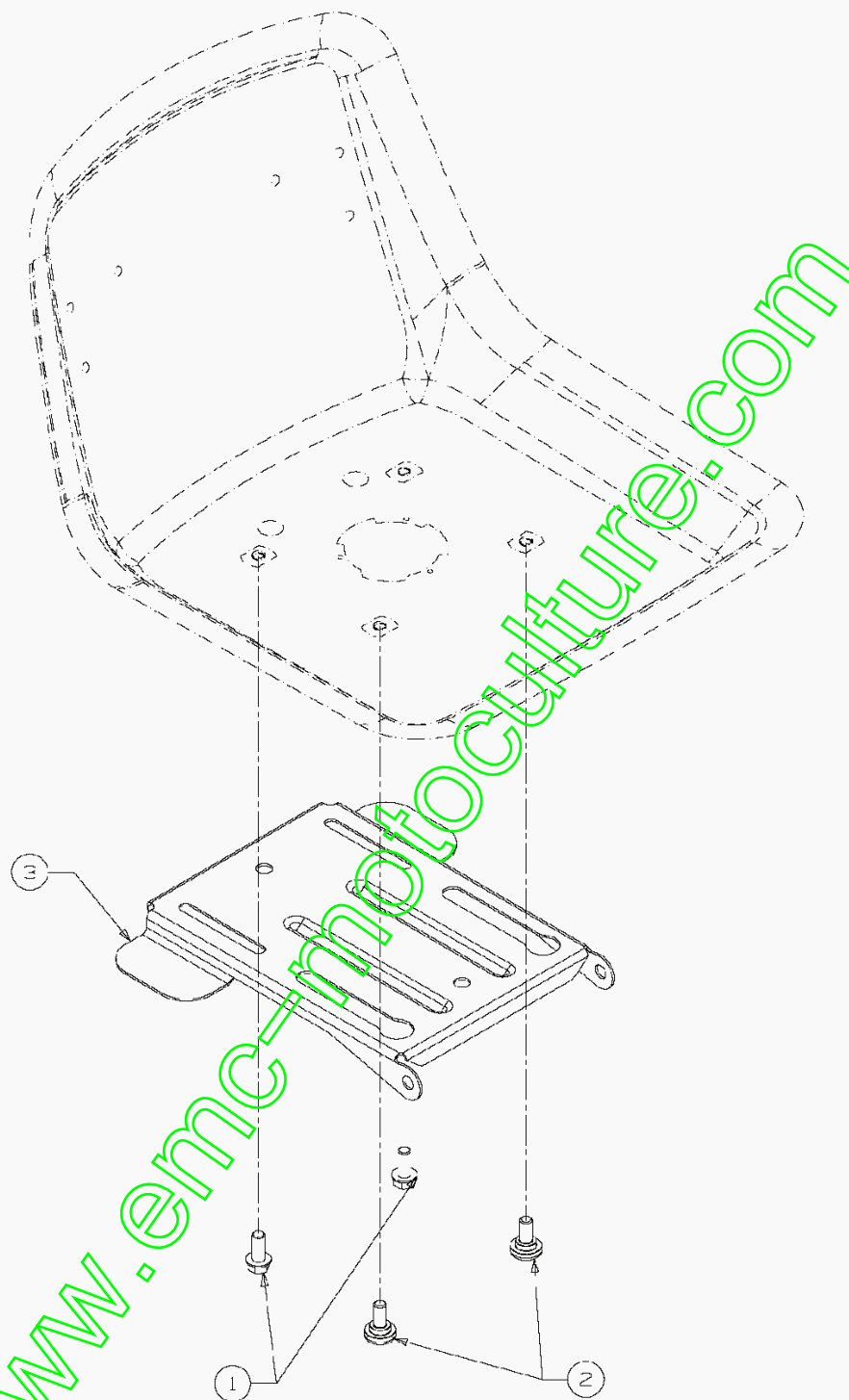


Accessoires moteur

Position	Partnumber	Quantity	Designation	Standard	Additional
1	629-04009	1			
2	710-0726	4	VIS 5/16-12:0.750:HXINDWS	FINISH:701-01002	
3	710-1237	1	VIS	FINISH:MTD STD 701-01002	
4	710-1314A	2	VIS	GR.8 FINISH:PHOS & OIL	
5	710-1315	4	VIS	FINISH:MTD SPEC-701-01002	
6	712-0271	1	ECROU 1/4-20"+ DISQUE DENTÉ	FINISH:701-010015	
7	721-0208	1	JOINT ECHAP B/S MONO CILYNDRE	272293	
8	725-0157	1	COLLIER CABLE 3/16X.05x7.4	PB-Nr. 5652 schwarz	
9	736-0708	2	RONDELLE	SCHNORR D 8 24.8190.18	
12	751B213146	1	SERRE CABLE	FINISH:VERZINKT	
13	751-0535	1	TUYAU ESSENCE	Ø12,7+/-5.84 / Ø6,35+/-0,41	
14	751-0627	1	ECHAPPEMENT OHV400	751-0627	
15	751-0631A	1			
16	751-0817	1	751-0817	751-0817	
17	783-0297	1	PROTECTION SIEGE	783-0297-0637	

www.emc-motoculture.com

AT 512/06/13DH452E439 (2007)/Fixation de siège



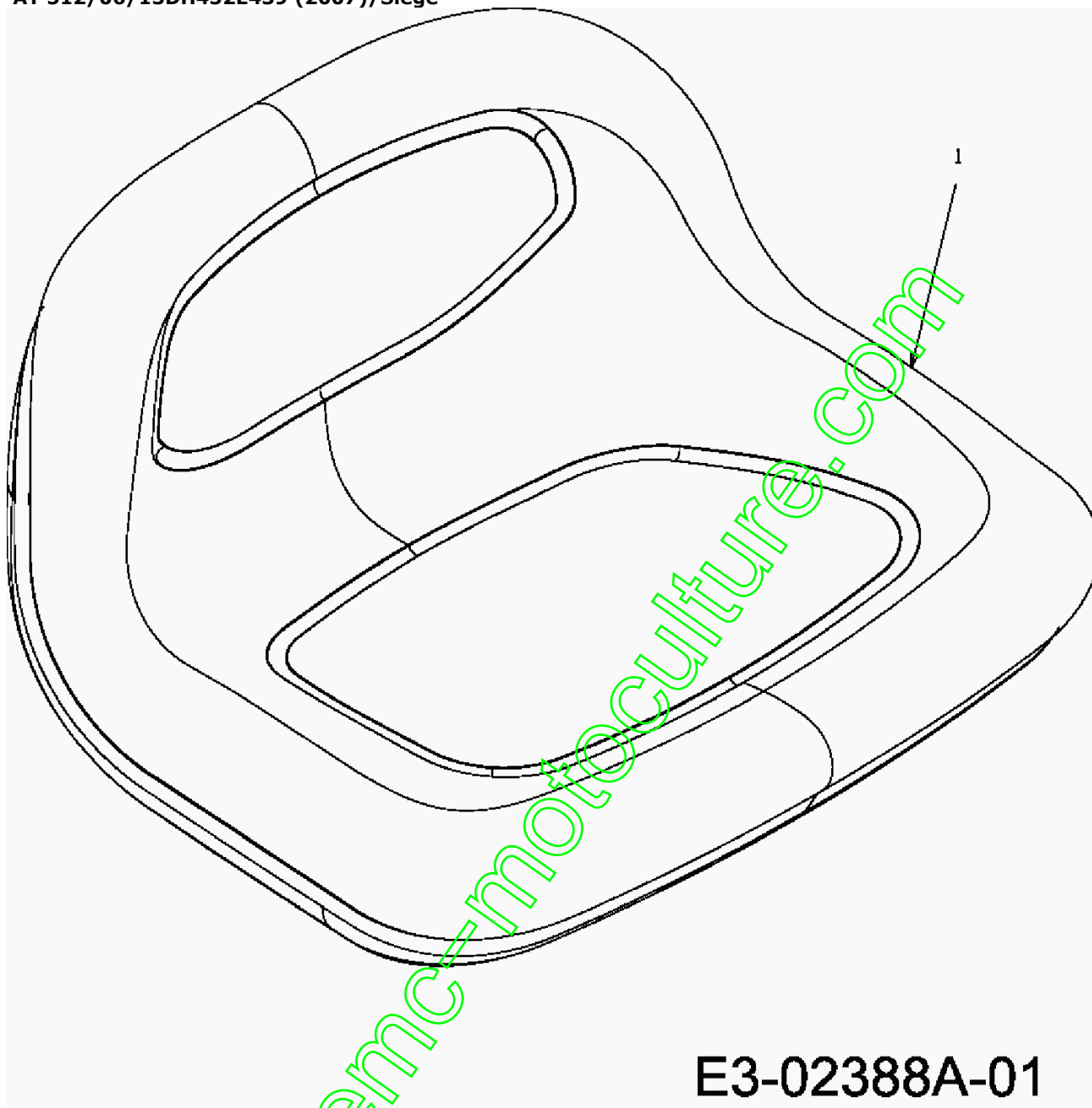
E3-02124B-01

Fixation de siège

Position	Partnumber	Quantity	Designation	Standard	Additional
1	710-04482	2	VIS	FINISH:701-01000	
2	738-04012A	2	VIS DE SIEGE	FINISH:SIEHE ZG.	
3	783-04081A	1	SUPPORT DE SIEGE	(MANUELLE VERSTELLUNG)	

www.emc-motoculture.com

AT 512/06/13DH452E439 (2007)/Siège

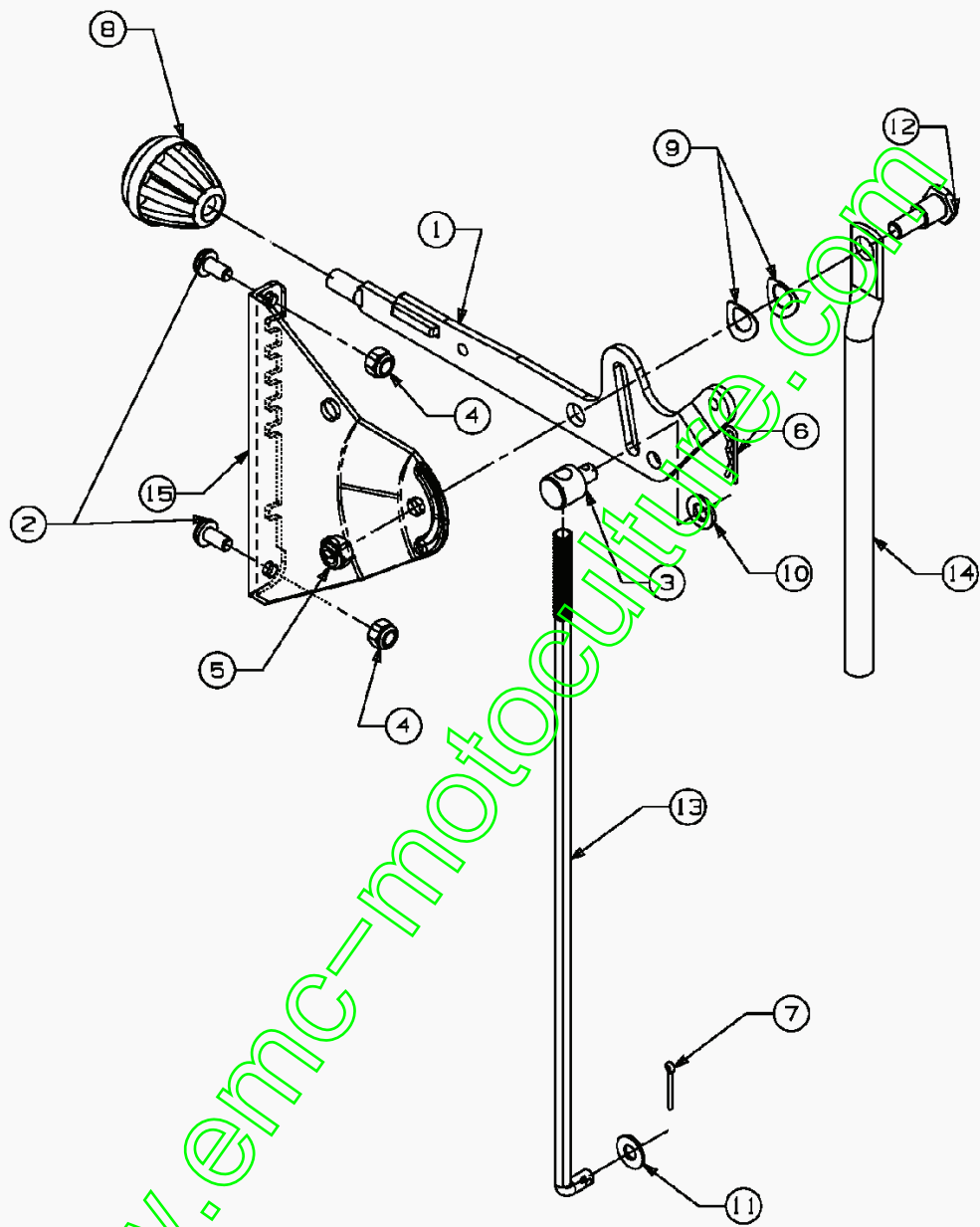


Siège

Position	Partnumber	Quantity	Designation	Standard	Additional
1	757-04021	1	SITZ:NIEDRIGE RÜCKLEHNE:MILSCO	SCHWARZ	

www.emc-motoculture.com

AT 512/06/13DH452E439 (2007)/Commande de direction



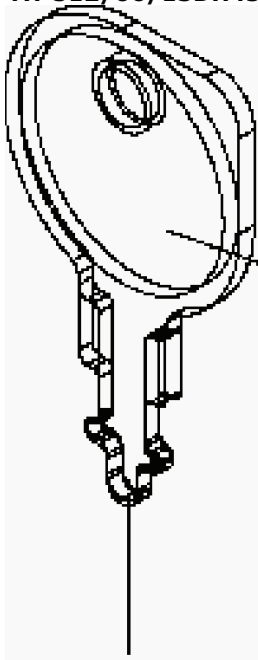
E3-02115A-01

Commande de direction

Position	Partnumber	Quantity	Designation	Standard	Additional
1	17457B	1	LEVIER DE VITESSE	FINISH:VERZINKT SIEHE ZG.	
2	710-0286	2	VIS 1/4-20X;50"	FINISH:701-01000	
3	711-0677	1	EMBOUT- EX 711-0611	FINISH:VERZINKT SIEHE ZG.	
4	712-0324	2	ECROU:1/4-20:GR8:NYLON	FINISH:701-01000	
5	712-0429	1	ECROU:5/16-18:GR5:NYLON	FINISH:701-01000	
6	714-0104	1	GOUPILLE	FINISH:PHOS AND OIL	
7	714-0507	1	EPINGLE	FINISH:701-01000	
8	720-0232	1	POIGNEE	FINISH:SCHWARZ	
9	736-0141	2	RONDELLE	FINISH:701-01001	
10	736-0264	1	RONDELLE 330 IDX.0630 X .06	FINISH:701-01000 936-0264	
11	736-0463	1	RONDELLE	FINISH:701-01000	
12	738-0138A	1	VIS	FINISH:MTD STD 701-01006	
13	747-0675A	1	TIGE FILETEE	747-0675A	
14	749-0836A	1	TRINGLE	749-0836A-0637	
15	783-0994	1	TRANSMATIC E-DECK	TANSMATIC E-DECK	

www.emc-motoculture.com

AT 512/06/13DH452E439 (2007)/Clé de starter



1

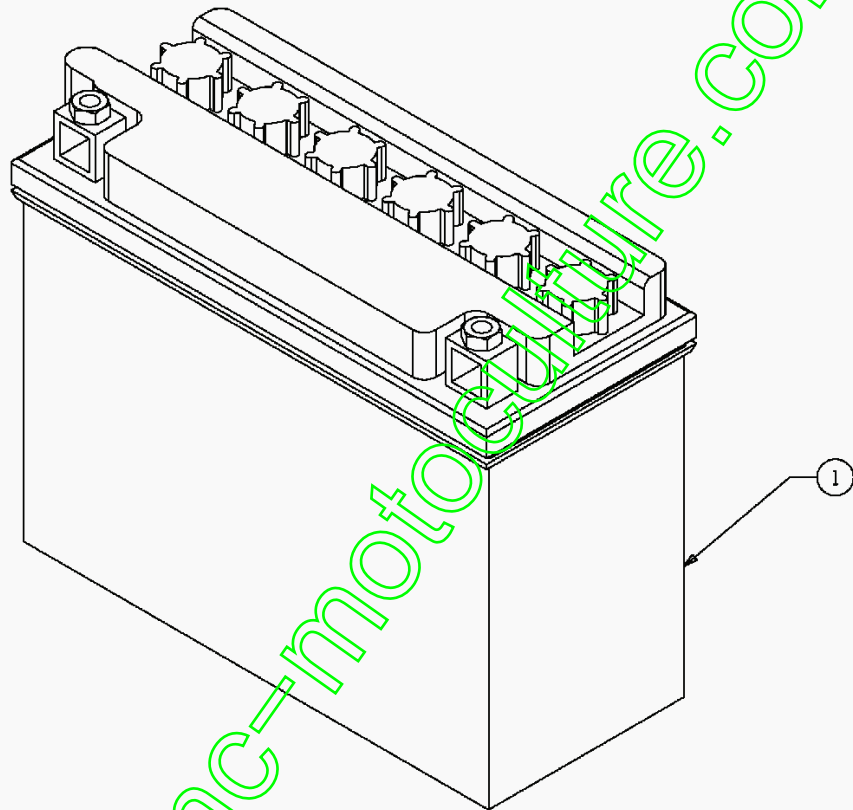
www.emc-motoculture.com

E3-02300A-01

Clé de starter

Position	Partnumber	Quantity	Designation	Standard	Additional
1	725-0201	1	CLE DE DEMARRAGE	FINISH:VERNICKELT 079.12.707	

www.emc-motoculture.com

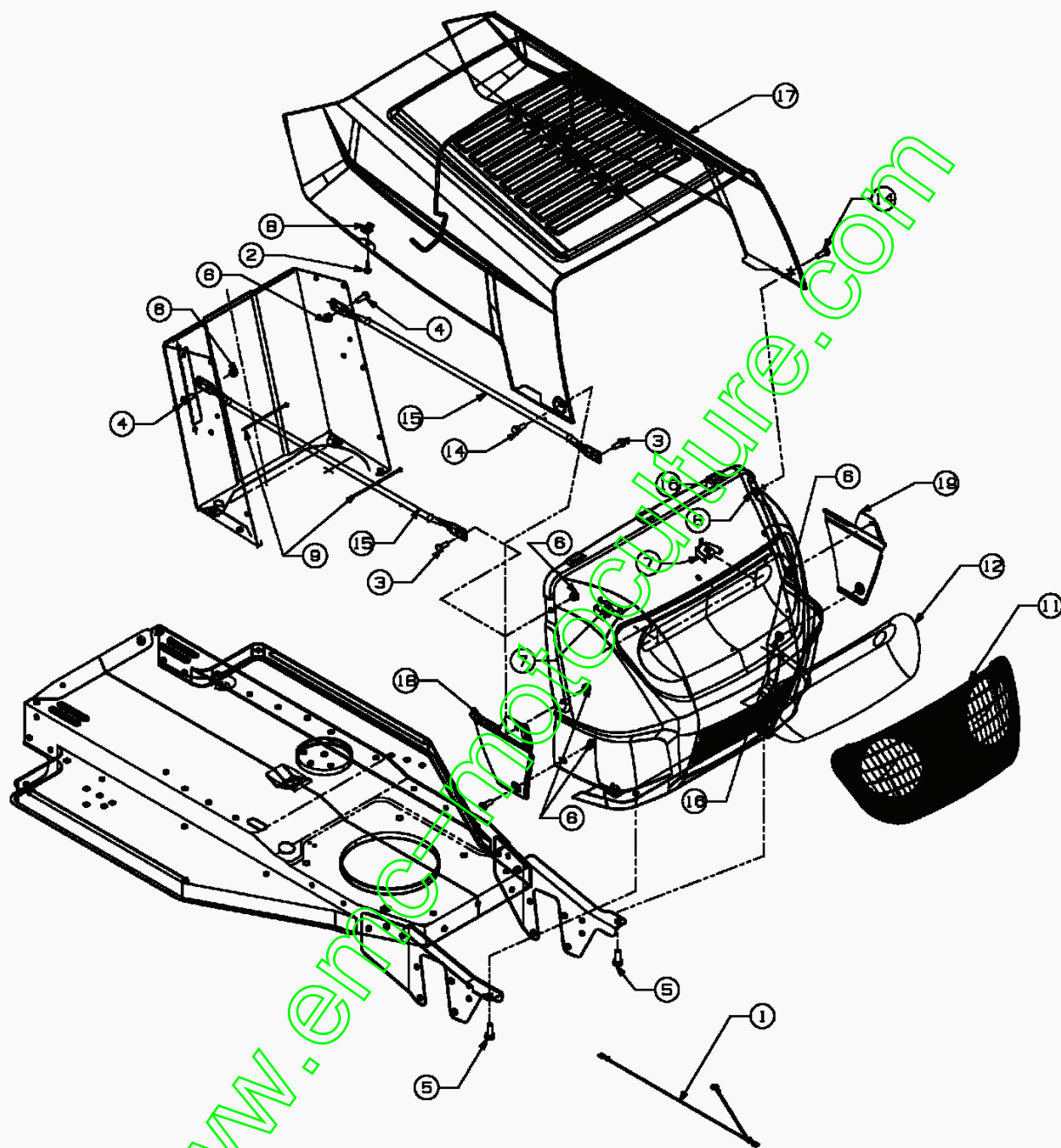


E3-02230A-01

Batterie

Position	Partnumber	Quantity	Designation	Standard	Additional
1	725-1635	1	BATTERIE 12V /20AH	C50N18L-A-CX	

www.emc-motoculture.com

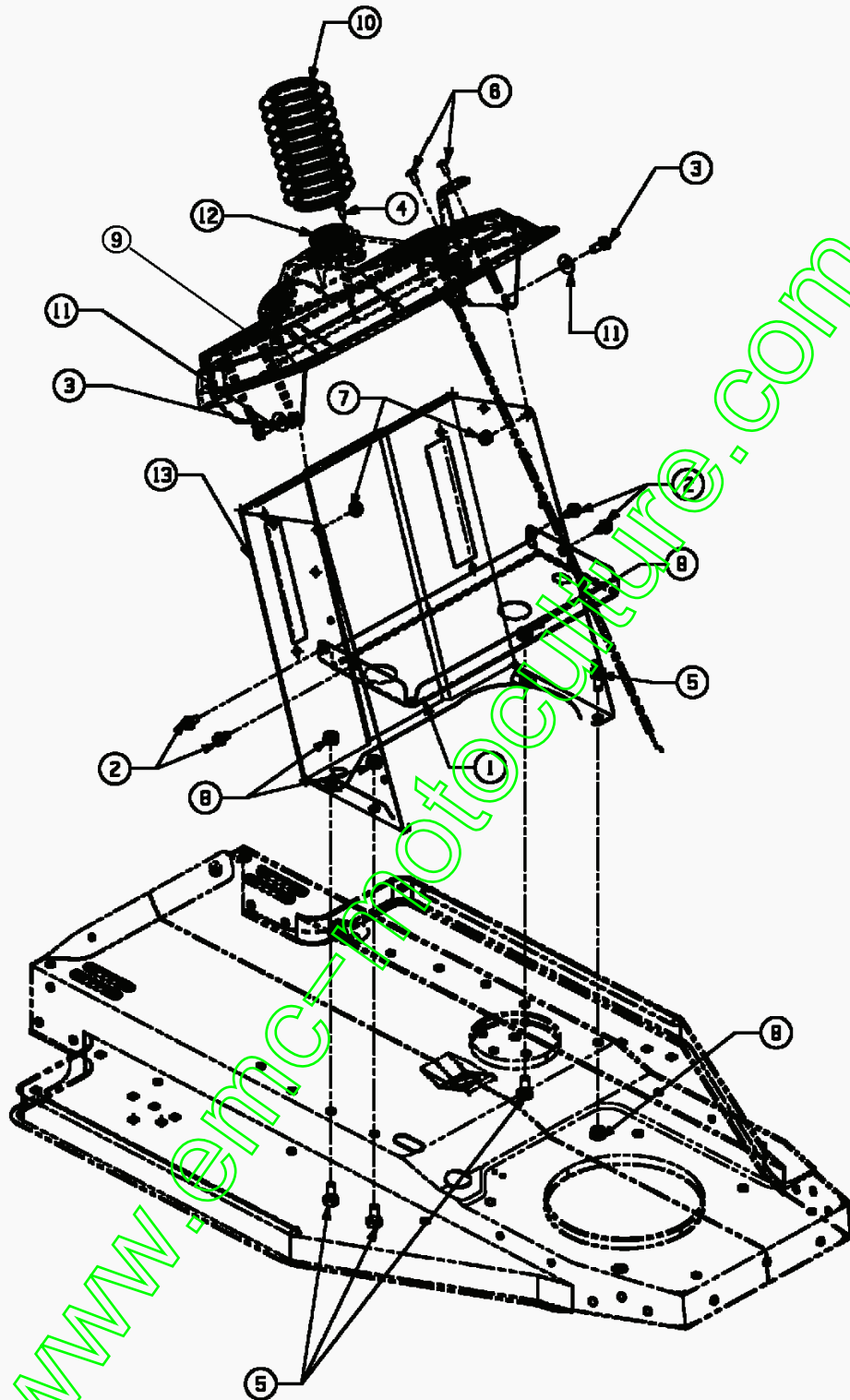


E3-02058A-01

Capot de moteur

Position	Partnumber	Quantity	Designation	Standard	Additional
1	629-0742	1	CABLE	#18 X 21.0 LG GRUEN	
2	710-0589	2	VIS	FINISH:701-01002	
3	710-0751	2	VIS	FINISH:701-01000	
4	710-0924	4	VIS 1/4-20X;75" LG	FINISH:701-01000	
5	710-1681	2	VIS HEXAGONALE DIN 933	MTD SPEC-100015 21.1441.70	
6	712-0324	8	ECROU:1/4-20:GR8:NYLON	FINISH:701-01000	
7	725-1651	2	SOCLE LONG	925-1651	
8	726-0130	2	ECROU 10Z-U	FINISH:PHOS & OIL SIEHE ZG.	
9	726-0197	2	ATTACHE CABLE	ART.-NR 5601 PB/ELEKTRO	
10	726-0365	2	BESTELL-Nr.BM 53313 000.02.520	BESTELL-Nr.BM 53313 000.02.520	
11	731-1503A	1	OPTIQUE DE PHARE	FINISH:KLAR	
12	731-2139	1	REFLECTEUR	(ALT 725-1790)	
13	732-0704	1	RESSORT	FINISH:PHOS & OIL	
14	738-0952A	2	VIS	FINISH:701-01000	
15	749-0722B	2	VOIR 749-0722B-0637	749-0722B-0637	
16	783-0156B	1			
17	783-0250	1	CAPOT	783-0250-0638/0674/0640/665	
18	783-0366	1	TOLE	2 STY	
19	783-0367	1	REVETEMENT LATERAL	2 STY	

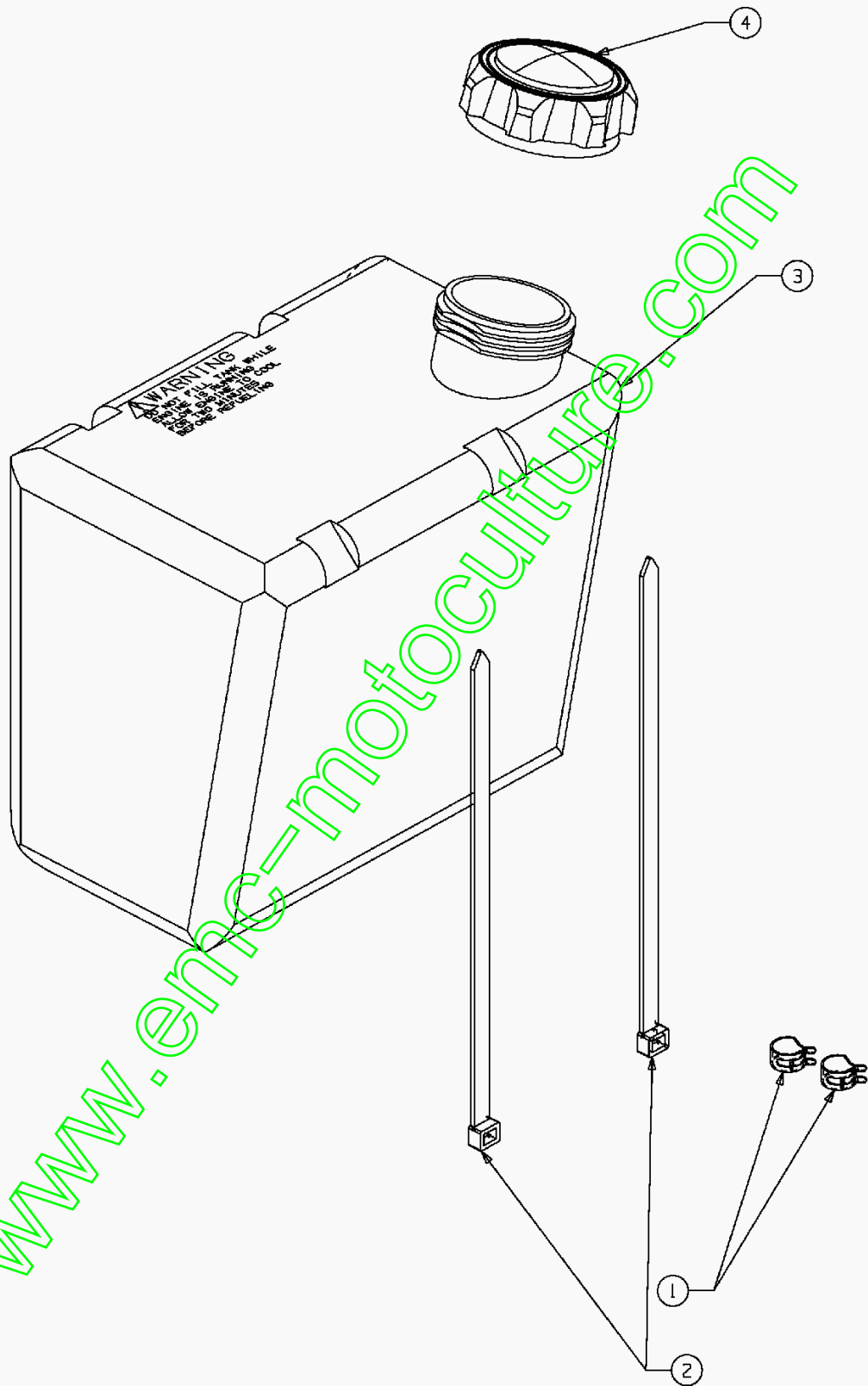
www.emc-motoculture.com



Panneau

Position	Partnumber	Quantity	Designation	Standard	Additional
1	17932	1	SUPPORT RESERVOIR	STYLE-1	
2	710-0599	4	VIS	FINISH:MTD SPEC-701-01002	
3	710-0751	2	VIS	FINISH:701-01000	
4	710-0837	1	VIS	SK FINISH:701-01002	
5	710-1376	4	VIS M8X16-8.8 DIN 933	FINISH:701-01000 21.1441.68	
6	710-1760	2	VIS	PHOS & OIL (ähnlich 710-0779A)	
7	712-0324	2	ECROU:1/4-20:GR8:NYLON	FINISH:701-01000	
8	712-0692	4	ECROU	FINISH:SPEC-100015 24.1426.18	
9	731-04412A	1	TABLEAU DE BORD	CHOKEMATIC SCHWARZ	
10	731-0954	1	SOUFFLET	731-0954	
11	736-0270	2	RONDELLE 265 X 75 X 0.62"	FINISH:701-01001	
12	741-0501	1	SUPPORT ARBRE DE DIRECTION	741-0501	
13	783-1102	1	ARMATURENTRÄTER 400' E-DECK		

www.emc-motoculture.com



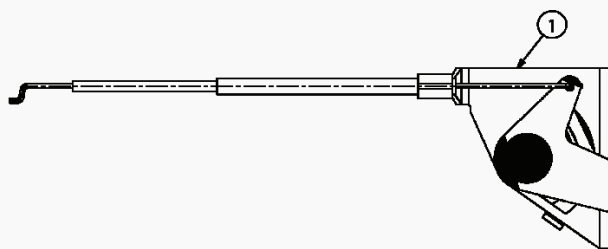
E3-02129A-01

Reservoir

Position	Partnumber	Quantity	Designation	Standard	Additional
1	726-0205	2	CLIPS	FINISH:PHOS UND GELB LACKIERT	
2	726-0209	2	COLLIER CABLE	5615 PB FINISH:SCHWARZ	
3	751-0553	1	RESERVOIR 5 L ENV.	1.25 GALLON FINISH:SIEHE ZG.	
4	751-0603	1	BOUCHON RESERVOIR ESSENCE	FINISH:SCHWARZ	

www.emc-motoculture.com

AT 512/06/13DH452E439 (2007)/Levier de commande



E3-02132A-01

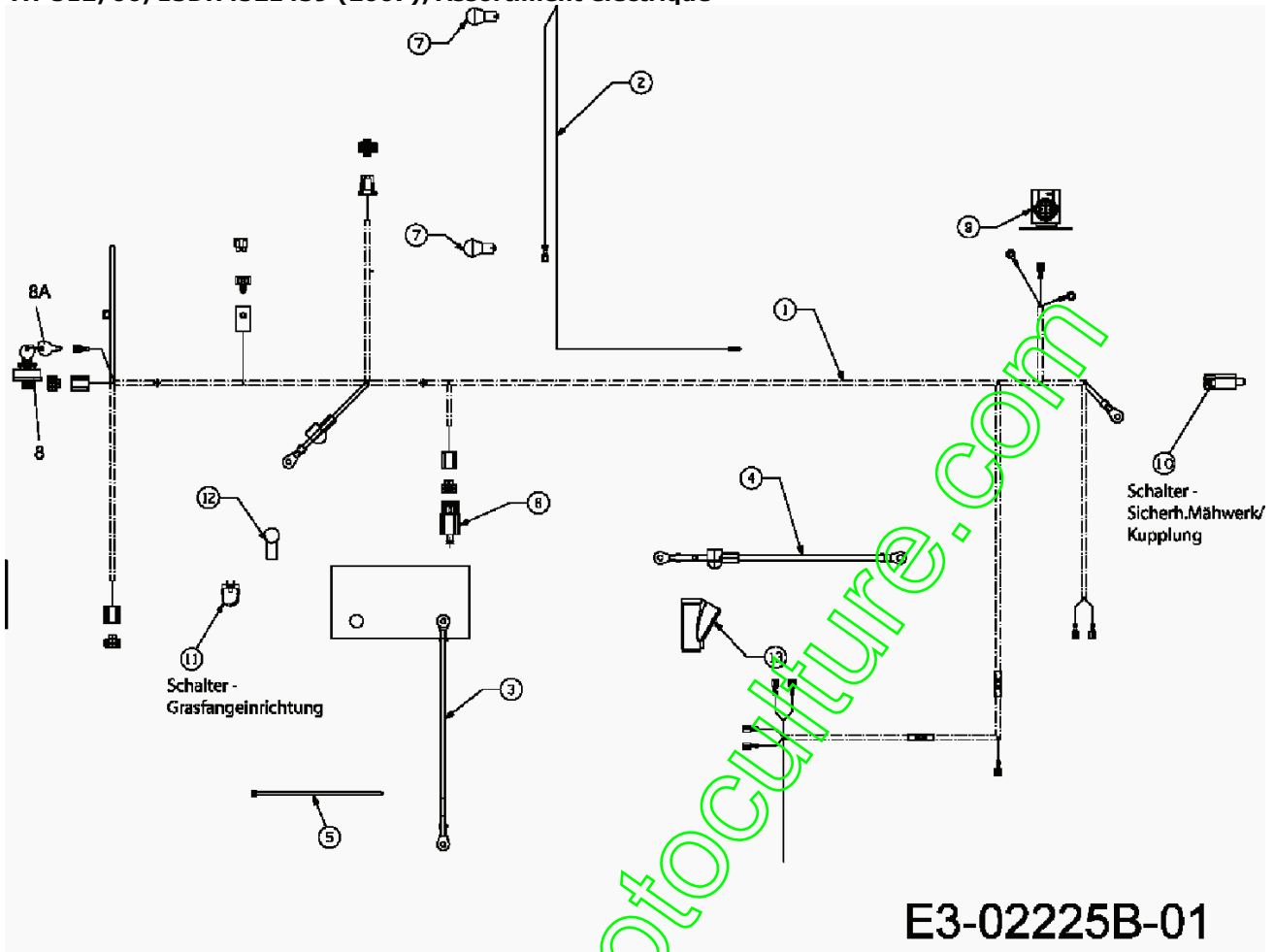
www.emc-motoculture.com

Levier de commande

Position	Partnumber	Quantity	Designation	Standard	Additional
1	746-04020A	1	CABLE GAZ 47CM	CHOKE:18.5 x .63 EXT	

www.emc-motoculture.com

AT 512/06/13DH452E439 (2007)/Assortiment électrique



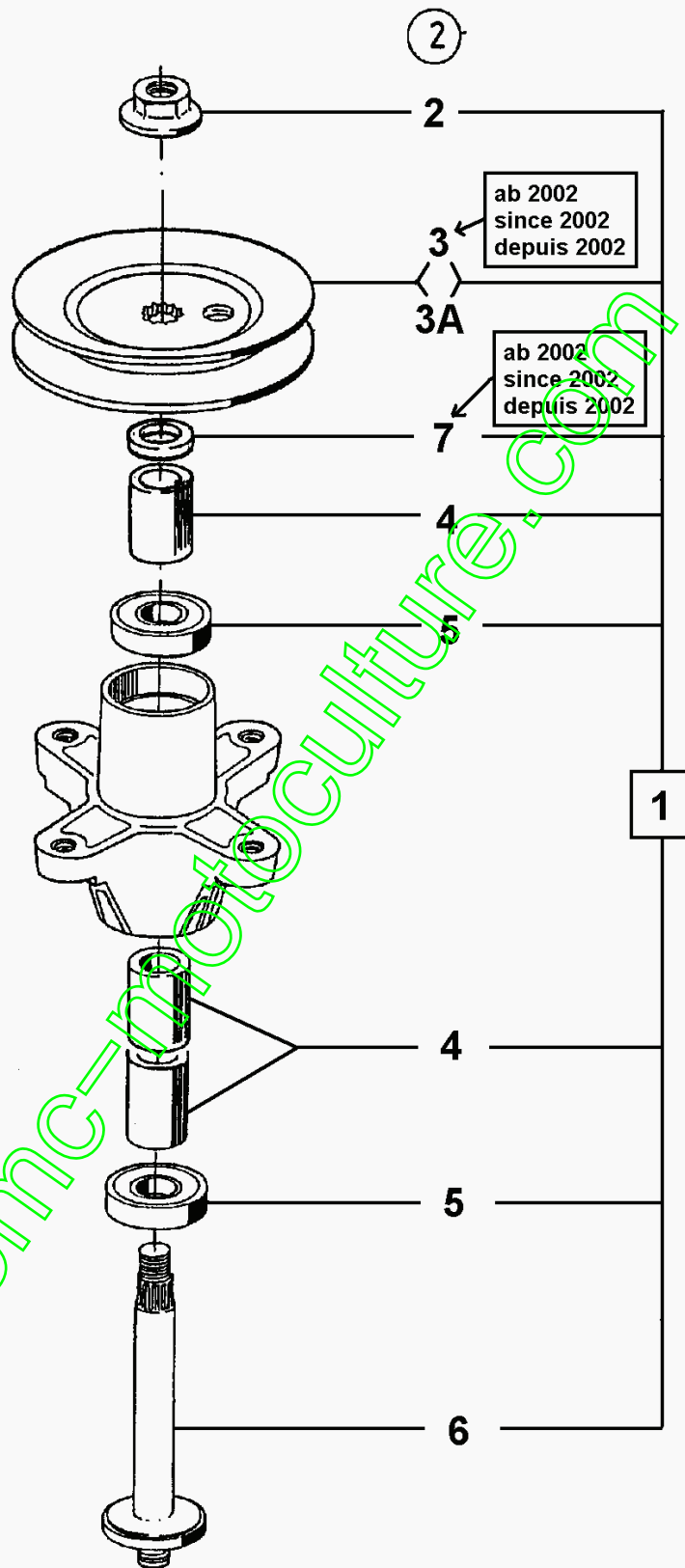
Assortiment électrique

Position	Partnumber	Quantity	Designation	Standard	Additional
1	629-04028	1	FAISCEAU COMPLET		
2	629-04078A	1			
3	629-0702	1	FIL BATTERIE NOIR 330MM		
4	629-0956	1	FIL DE BATTERIE ROUGE	GUMMISCHUTZKAPPE, KLEIN, ROT	
5	725-0157	1	COLLIER CABLE 3/16X.05x7.4	PB-Nr. 5652 schwarz	
6	725-04039	1	SECURITE EMBRAYAGE	FINISH:GRAY/BLACK 925-04039	
7	725-0963	2	AMPOULE DE PHARE		
8	725-1396A	1	CONTACTEUR AVEC CLE:6 POLES		
8A	725-1341B	1	CLE	725-1341B	
9	725-1426A	1	SOLENOIDE		
10	725-1657A	1	SECURITE D'EMBAYAGE	Sich.Mähwerk+Kuppl. GRAU	
11	725-3166	1	INTERRUPTEUR BAC	FINISH:GRAU	
12	725-3238	1	800N8V14	800N8V14	
13	731-2021	1	RACCORD Y PLASTIC DE FAISCEAU	FINISH:SCHWARZ 9817201	

www.emc-motoculture.com

AT 512/06/13DH452E439 (2007)/Axe de lame 618-0408A

618-0408A



fsg

E3-01364B-01

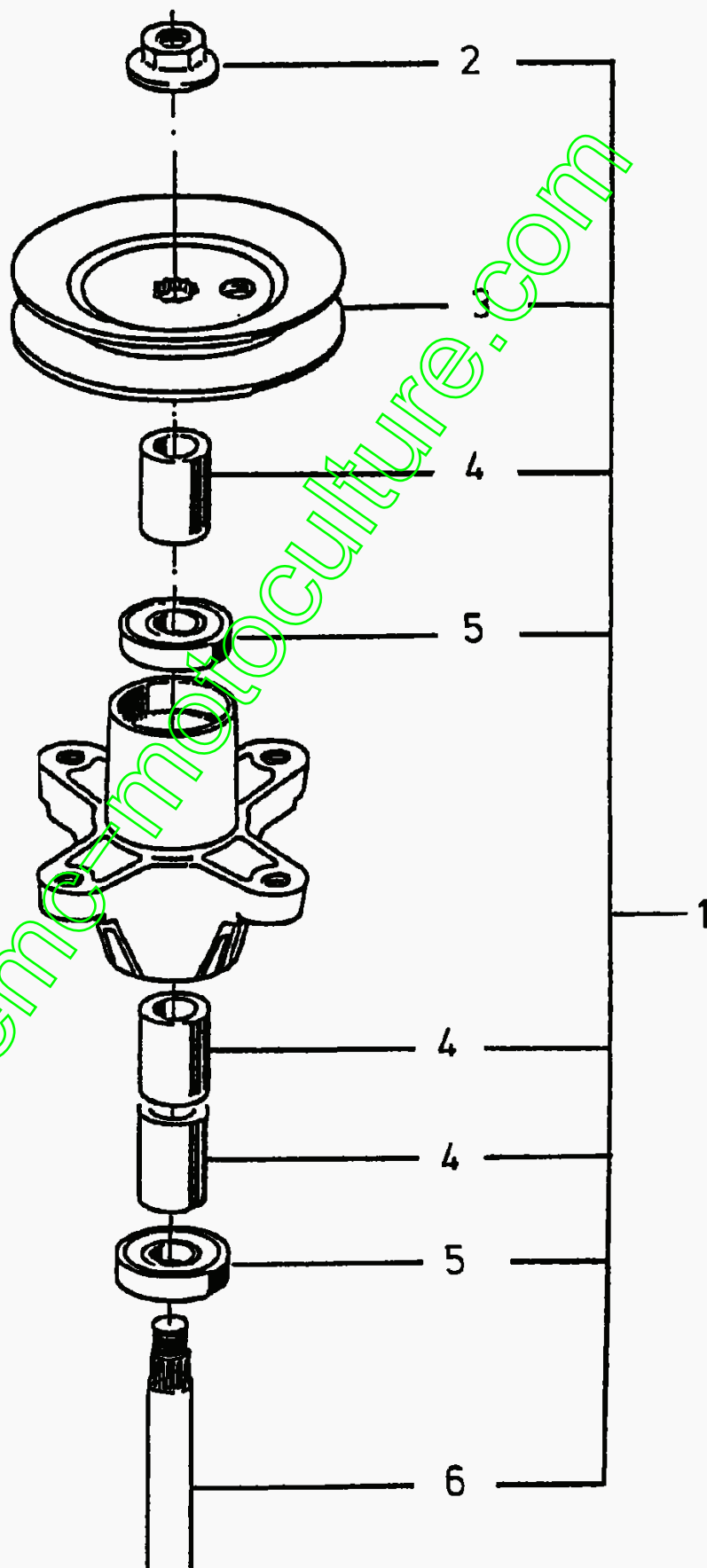
Axe de lame 618-0408A

Position	Partnumber	Quantity	Designation	Standard	Additional
1	618-0408A	1	MESSERSPINDEL VOLLST:RIEMEN-	SCHEIBE:5.17 DIA 918-0408A	
2	712-0417A	1	ECROU	FINISH:701-01000	
3	756-1187	1	POULIE DE PALIER DROITE		à partir du 2002
3A	756-0969	1	POULIE DE PLATEAU	756-0969	
4	750-1000	3	ENTRETOISE	FINISH:GEÔLT	
5	741-0919	2	ROULEMENT DE PALIER DE LAME	C3	
6	738-1128	1	AXE DE PALIER DE LAME	FINISH:EINGEÔLT	
7	748-0434	1	DOUILLE	748-0434	à partir du 2002

www.emc-motoculture.com

Spindle Assy. / Messerspindel vollst.

618-0409

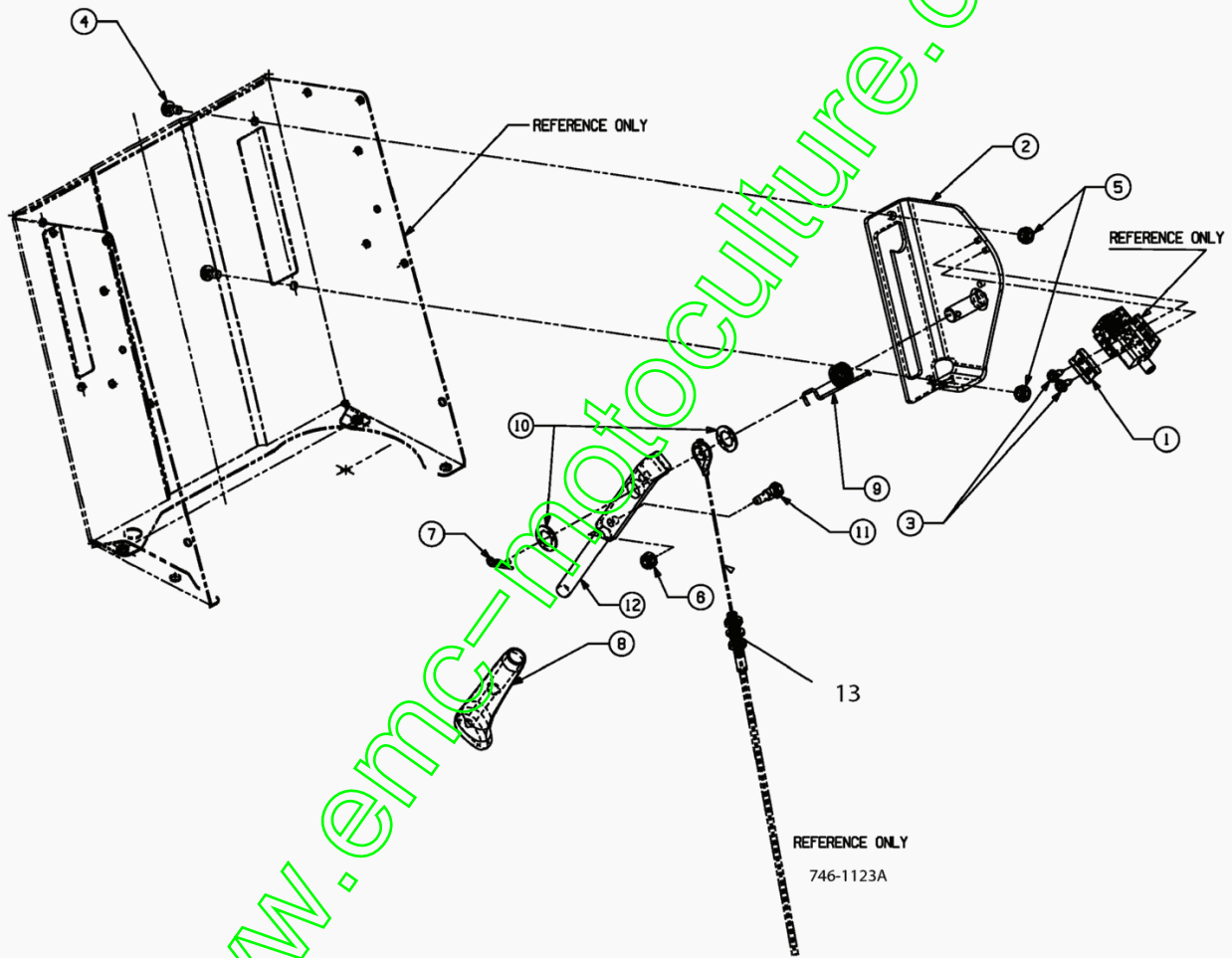


Axe de lame 618-0409,918-0409

Position	Partnumber	Quantity	Designation	Standard	Additional
1	618-0409	1	PALIER DE LAME COMPLET	618-0409/918-0409	
2	712-0417A	1	ECROU	FINISH:701-01000	
3	756-1171	1	POULIE DE PALIER	E-TEIL-SET	
4	750-1000	3	ENTRETOISE	FINISH:GEÖLT	
5	741-0919	2	ROULEMENT DE PALIER DE LAME	C3	
6	738-1128	1	AXE DE PALIER DE LAME	FINISH:EINGEÖLT	fsg

www.emc-motoculture.com

AT 512/06/13DH452E439 (2007)/Levier de commande,man.PTO



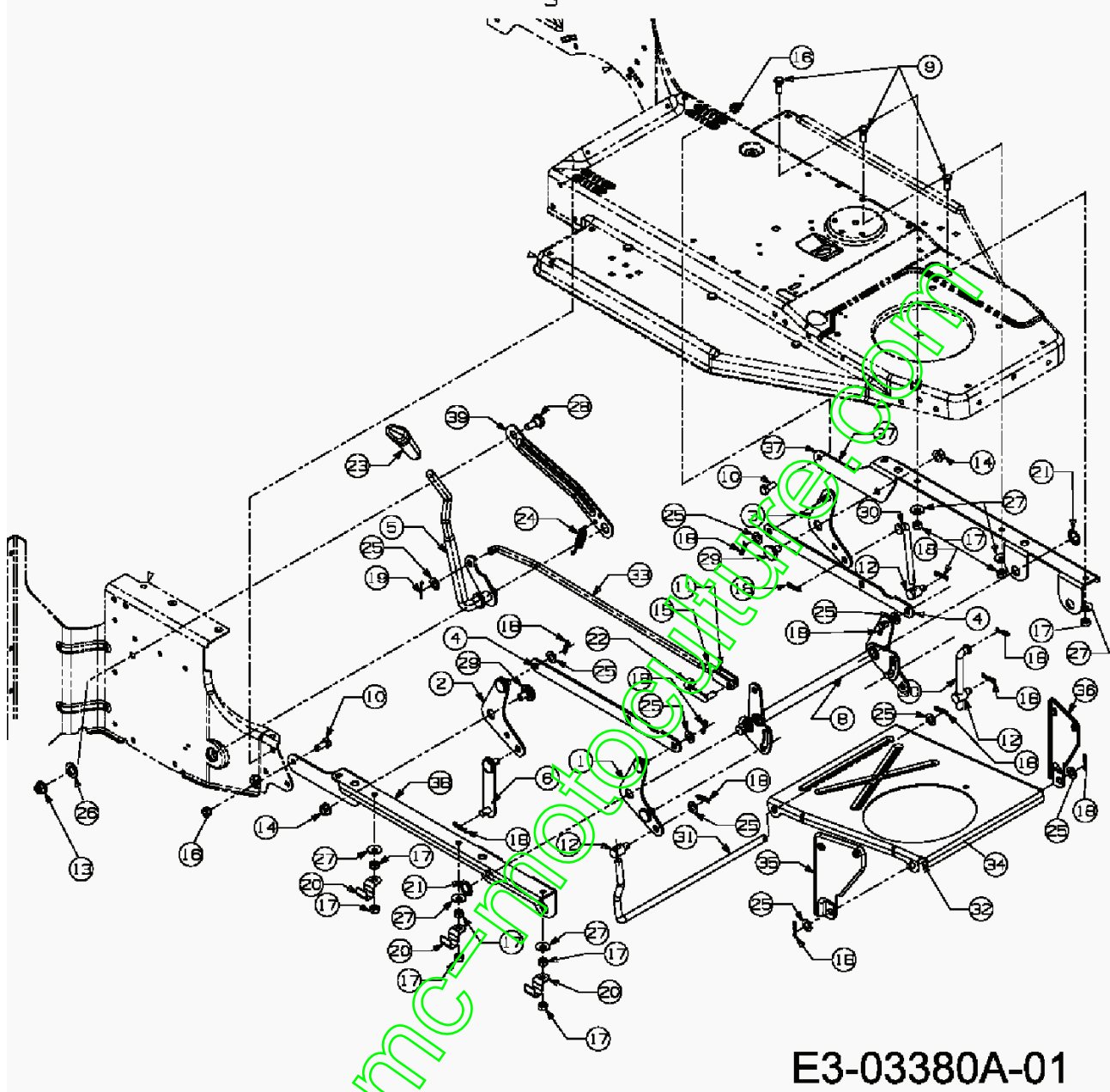
E3-02223A-01

Levier de commande,man.PTO

Position	Partnumber	Quantity	Designation	Standard	Additional
1	17962	1	PLAQUETTE	17962	
2	683-0436	1	HALTEKONSOLE VOLLST.MANUEL PTO	SCHWARZ GEPULVERT	
3	710-0224	2	VIS	FINISH:MTD STD 701-01002	
4	710-0286	2	VIS 1/4-20X;50"	FINISH:701-01000	
5	712-0324	2	ECROU:1/4-20:GR8:NYLON	FINISH:701-01000	
6	712-0896	1	ECROU	FINISH:701-01000	
7	714-0101	1	GOUPILLE .08 x 1,42"	FINISH:PHOS & OIL	
8	731-2509	1	POMMEAU RELEVAGE DE COUPE	FINISH:SCHWARZ	
9	732-1017A	1	DREHFEDER		
10	736-3068	2	RONDELLE	FINISH:701-01000	
11	738-0924	1	AXE	738-0924	
12	747-1271	1	HEBEL MAN PTO		
13	746-1123A	1	CABLE		

www.emc-motoculture.com

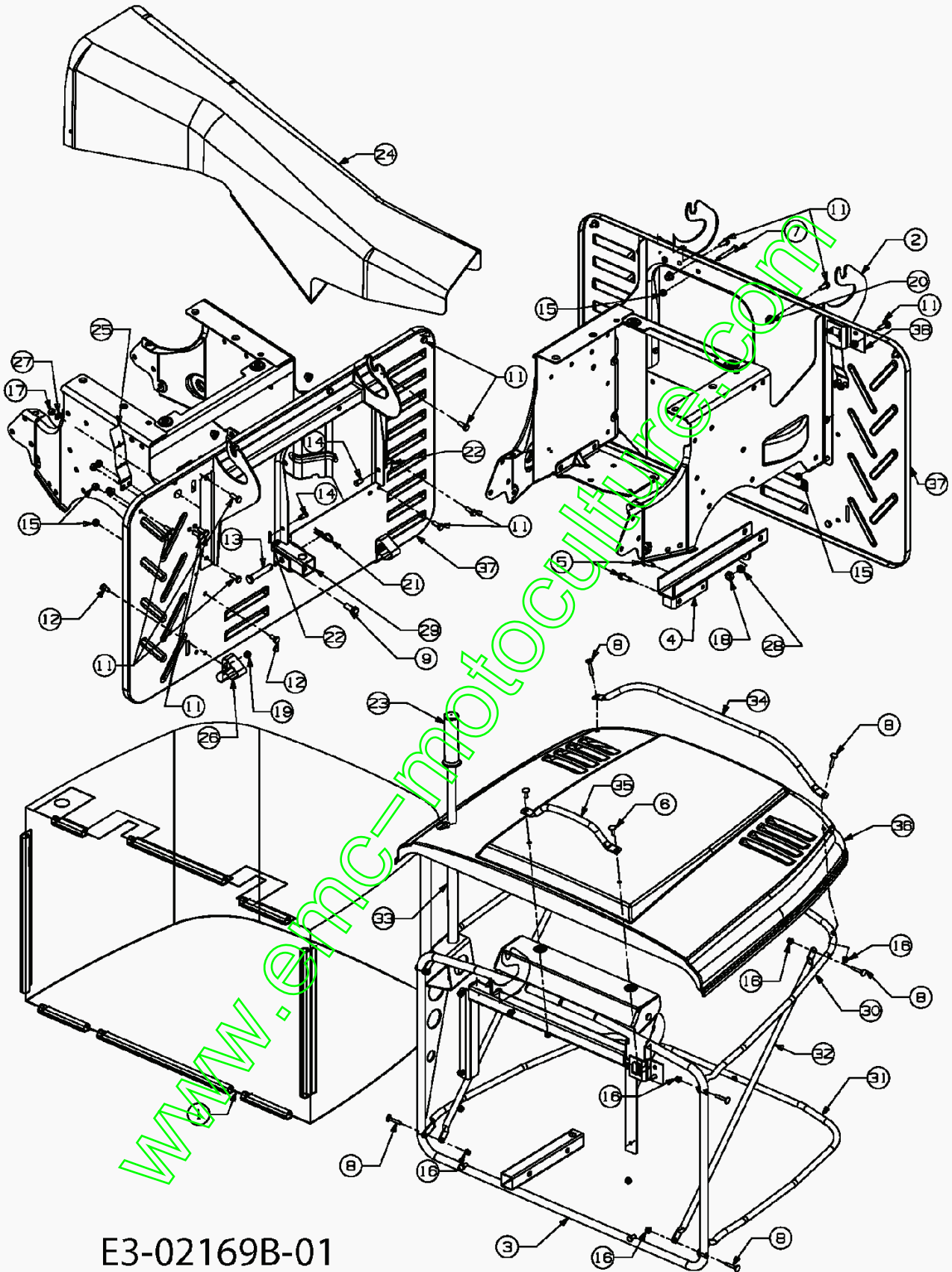
AT 512/06/13DH452E439 (2007)/Relevage Plat.Coupe



Relevage Plat.Coupe

Position	Partnumber	Quantity	Designation	Standard	Additional
1	17554	1	SUPPORT	17554-0637	
2	17555	1	VOIR 97555	17555-0637	
3	17556	1	SUPPORT	17556-0637	
4	17562	2	FERRURE G	17562-0637	
5	647-0056-Z	1	647-0056-Z	647-0056-Z	
6	683-0111-Z	1	PATE 88X3.31 LG	.88 X3.31 LG	
7	683-0233	1	TRAGHEBEL LINKS VORNE		
8	683-0430	1	VERBINDUNGSWELLE VOLLST.		
9	710-1012	6	VIS	RD HD FINISH:PHOS & OIL	
10	710-1681	2	VIS HEXAGONALE DIN 933	MTD SPEC-100015 21.1441.70	
11	711-1407	1	TETE DE FOURCHE ZN5GL CB DIN71	Zn5glcB 9S20K 28.6218.17	
12	711-3397	3	CHEVILLE ,375 DIA X 31L	FINISH:ZINC SIEHE ZG.	
13	712-04065	1	ECROU	FINISH:701-01000 912-04065	
14	712-0431	2	ECROU STOP 3/8-16	FINISH:MTD SPEC-100015	
15	712-0690	1	ECROU	FINISH:MTD701-01000 24.1421.18	
16	712-0692	2	ECROU	FINISH:SPEC-100015 24.1426.18	
17	712-3057	9	ECROU	FINISH:MTD STD 701-01000	
18	714-0104	13	GOUPILLE	FINISH:PHOS AND OIL	
19	714-0111	1	EPINGLE	FINISH:GELBVERZINKT	
20	726-0354	3	SUPPORT FUSEAU	400er SREIE	
21	726-04028	2	CLIPS		
22	726-0457	1	ES - ATTACHE DIN 71752	9S20K 25.9425.12	
23	731-2509	1	POMMEAU RELEVAGE DE COUPE	FINISH:SCHWARZ	
24	732-0898	1	RESSORT	Zn 10 glcB 000.31.026	
25	736-0185	9	RONDELLE 3/8.738X.063	FINISH:701-01000	
26	736-0192	1	RONDELLE .531 X 93 X .090	FINISH:701-01000	
27	736-0242	6	RONDELLE	FINIS:701-01000	
28	738-0143	1	VIS	FINISH:MTD STD 701-01000	
29	738-0281	2	AXE	938-0281/ FINISH:ZINC SIEHE ZG	
30	747-04351	2	FINISH:GLANZVERZINKT	FINISH:GLANZVERZINKT	
31	747-1188B	1	400er E-DECK	400er E-DECK	
32	747-1190A	1	VERZINKT	VERZINKT	
33	747-1233	1	GLANZVERZINKT	GLANZVERZINKT	
34	783-0850-NA	1	STAB.-PLATTE E-DECK FRANCE		
35	783-0851A	1	STABILISATOR-HALTER RECHTS		
36	783-0852A	1	STABILISATOR-HALTER LINKS		
37	783-0853	1	HALTETRÄGER LINKS	FINISH:LACKIERT	
38	783-0854	1	HALTETRÄGER RECHTS	FINISH:LACKIERT	
39	783-0871	1	VERBINDUNGSLASCHE 92CM DECK	783-0871	

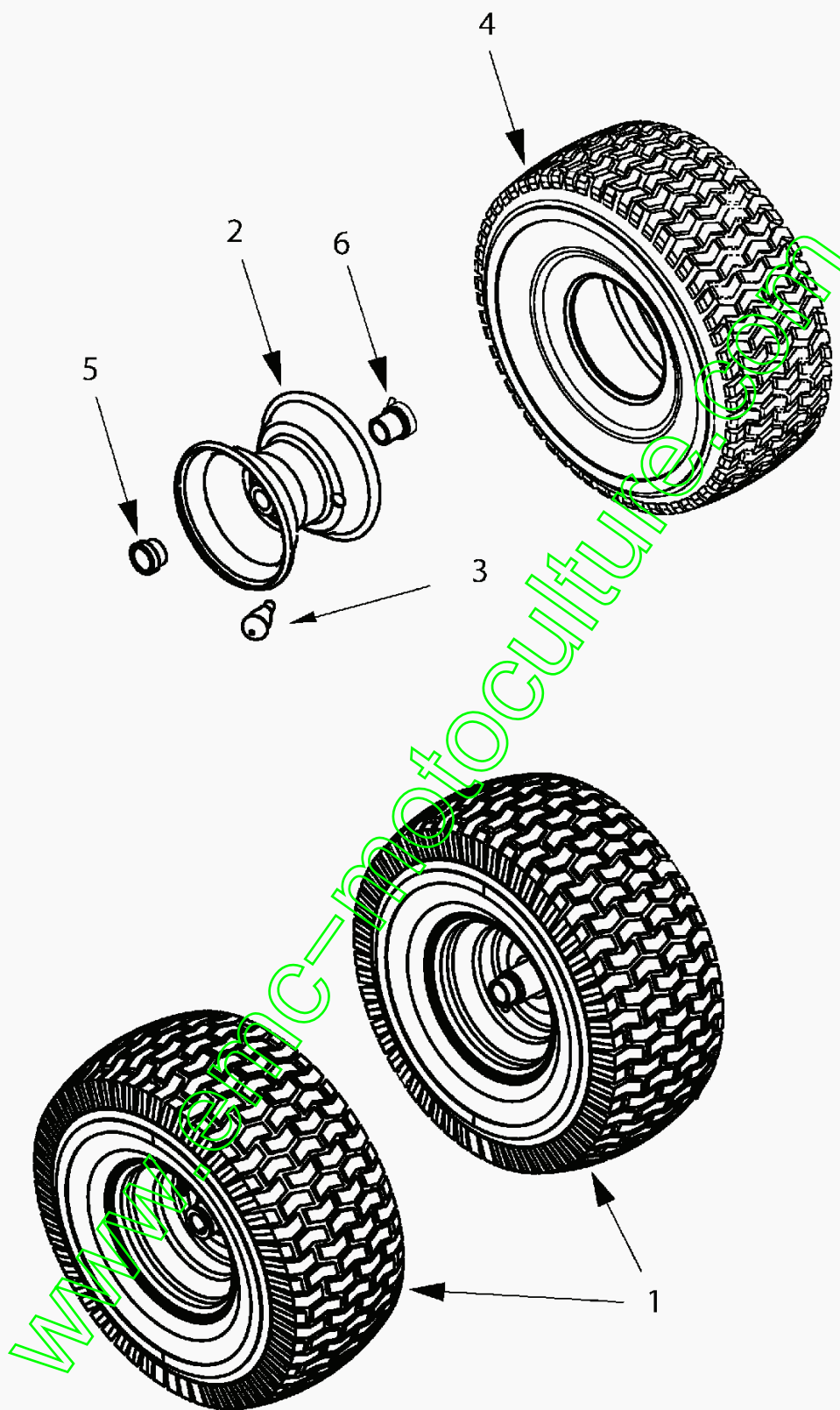
AT 512/06/13DH452E439 (2007)/Bac recuperateur



Bac recuperateur

Position	Partnumber	Quantity	Designation	Standard	Additional
1	664-0125A	1	TOILE DE BAC 200 LITRES "C/E"	SCHWARZ	
2	683-0230A	1	HALTER VOLLST.FANGKORB	SCHWEISSTEIL 0637/0665	
3	683-0231	1	CADRE BAC HE4160	SCHWEISSTEIL SCHWARZ	
4	683-0428	1	400 TRANS SCHWARZ LACKIERT	400 TRANS SCHWARZ LACKIERT	
5	710-0642	2	VIS	MTD SPEC-701-01002 910-0642	
6	710-1360	2	VIS	M5x16 Zn5gIcB 22.3419.00	
7	710-1391	1	VIS	21.1443.55	
8	710-1612	8	VIS	FINISH:Zn5gIcB 22.3419.03	
9	710-1681	1	VIS HEXAGONALE DIN 933	MTD SPEC-100015 21.1441.70	
11	710-1690	12	VIS	MTD SPEC-100015 21.1441.46	
12	710-1691	3	VIS	FINISH:Zn5gIcB 21.1441.45	
13	711-0679A	1	CHEVILLE	FINISH:SIEHE ZG.	
14	711-0701	2	CHEVILLE 25 X 50	FINISH:SIEHE ZG.	
15	712-0633	9	ECROU	VM6 (METALLKLEMMUNG)24.1426.15	
16	712-0642	10	ECROU DE SECURITE	DIN 6926	
17	712-0689	1	ECROU	MTD SPEC-100015 24.1421.14	
18	712-0690	1	ECROU	FINISH:MTD701-01000 24.1421.18	
20	712-0713	4	ECROU	DIN 6926 MTD SPEC-100015	
21	714-0147	1	PRISE PIVOTANTE 125 X 1,75	FINISH:SIEHE ZG.	
22	714-0507	2	EPINGLE	FINISH:701-01000	
23	720-0301	1	POIGNEE	MAGURA 240.1-10.22 000.37.552	
24	731-2168	1	CANAL D'EJECTION ARRIERE	400er, HYDRO, E-DECK	
25	732-0750A	1	LAMELLE SECURITE DE BAC	FINISH:SIEHE ZG.	
26	732-0838A	2	RESSORT	VERSCHLUSS	
27	736-0222	1	RONDELLE	FINISH:701-01001	
28	736-0649	1	RESSORT RONDELLE DIN 127	FINISH:SPEC-100015 24.8195.18	
29	749-04013	1	TUYAU DISPOSITIF D'ATTELAGE	30mm x 30mm x 216 LG:LACKIERT	
30	749-1009	1	ARMATURE SUP SERIE 400A	032.80.011	
31	749-1010	1	ARMATURE INF SERIE 400A	032.80.014	
32	749-1011	2	TRINGLE DE BAC SERIE 400A	032.80.012	
33	749-1012A	1	LEVIER DE RELEVAGE BAC A	VERZINKT	
34	749-1013	1	POIGNEE LONGUE	MTD-SCHWARZ 032.80.004	
35	749-1014	1	POIGNEE COURTE	SCHWARZ/RAL 9005 032.80.005	
36	783-0583	1	CAPOT DE BAC A ET E	783-0583-0638/0499/0665/0650	
37	783-0858	1	PLAQUE ARRIERE DE BAC E		
38	783-0931A	1			

www.emc-mototechnik.com



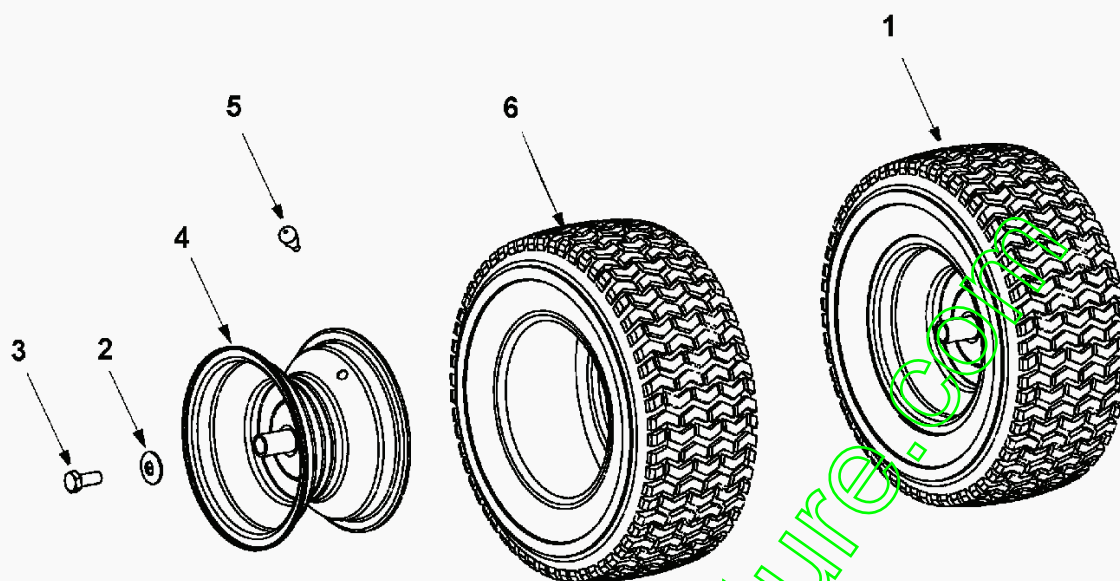
E3-02172A-01

Roues

Position	Partnumber	Quantity	Designation	Standard	Additional
1	634-0087A	2	ROUE COMPL 15X6,0		
2	634-0172	1	JANTE ,6,0X4,5	W/OHOL	
3	734-0255	1	VALVE	934-0255	
4	734-1731	1	PNEU 15X600X6 DICO MULTI-TRAC	SQ SHOULDER	
5	741-0487A	1	BAGUE DE ROUE AVANT	741-0487A (BR.748-0184)	
6	741-0706	1	BAGUE ROUE AVANTAVEC GRAISSEUR	MIT SCHMIERNIPPEL	

www.emc-motoculture.com

AT 512/06/13DH452E439 (2007)/Roue arrière



E3-02083B-01

www.emc-motoculture.com

Roue arrière

Position	Partnumber	Quantity	Designation	Standard	Additional
1	734-0592	2	ROUE COMPL 18X6.50-8 ST	734-0592-0911/912/674/662	
2	736-0242	2	RONDELLE	FINIS:701-01001	
3	710-0627	2	VIS	FINISH:701-01000	
4	634-0069	2	JANTE 8.0 x 5.38 x 750 ID	634-0069-0662	
5	734-0255	2	VALVE	934-0255	
6	734-0294	2	PNEU 18*650 *8	734-0294-0901/902	

www.emc-motoculture.com