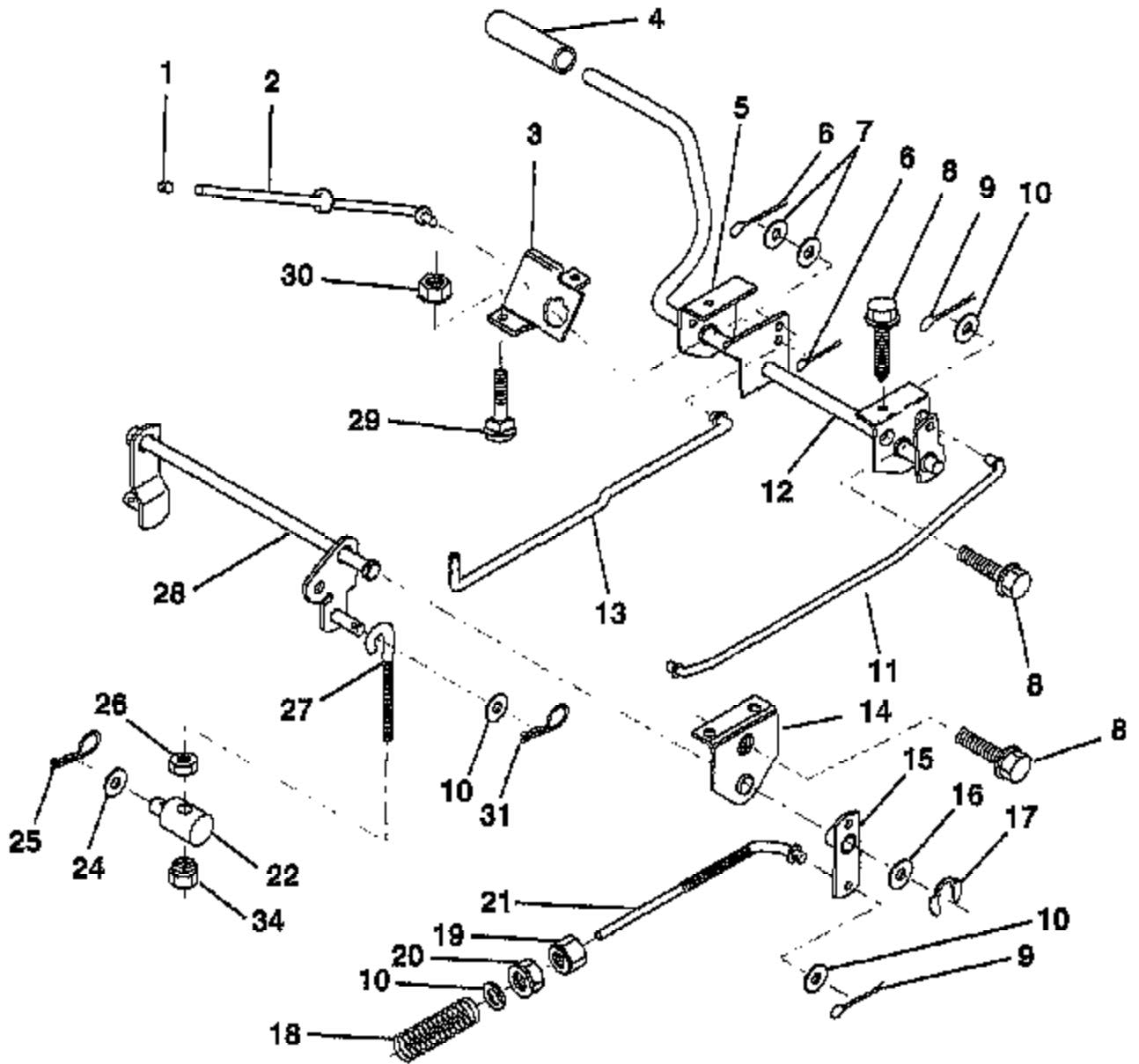


TRACTOR - - MODEL NUMBER AY1236A BRAKE / REAR MOWER LIFT ASSEMBLY

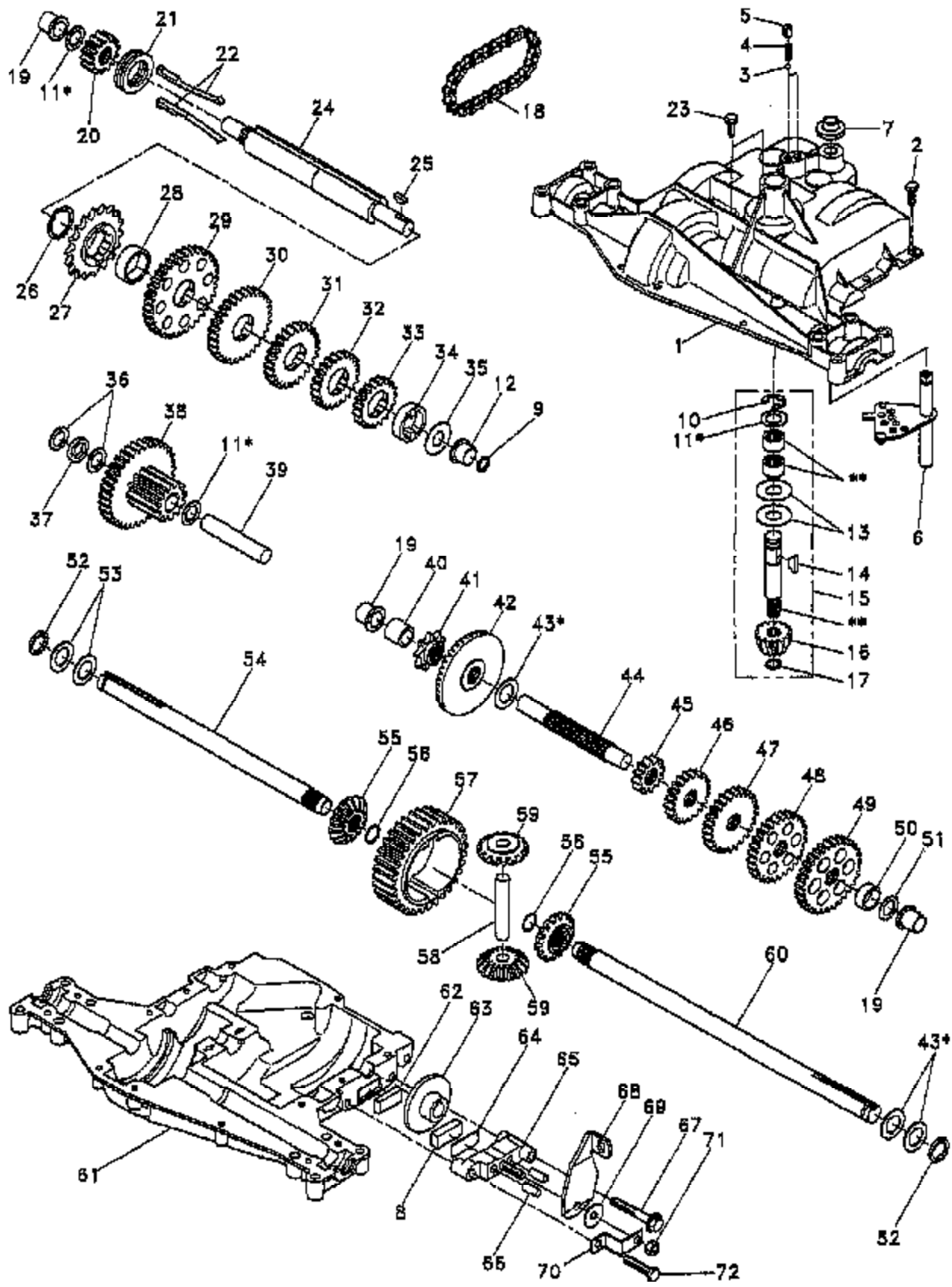


NOTE: All component dimensions given in U.S. inches
1 Inch = 25.4 mm.

| Ref # | Part Number | Qty | Description |
|-------|-------------|-----|---------------------|
| 1 | 71673 | | PLUNGER CAP T |
| 2 | 123436X | | "ROD,PARK BRAKE" |
| 3 | 123437X | | "BRKT,PARK BRAKE" |
| 4 | 8156H | | FOOT PEDAL COVER |
| 5 | 122504X | | "BRKT,CLU PEDAL LH" |
| 6 | 76020312 | | SUB= 3145 |
| 7 | 19131016 | | WASHER |
| 8 | 17490508 | | SCREW LT |
| 9 | 76020412 | | COTTER PIN |
| 10 | 19131316 | | WASHER |
| 11 | 123543X | | "ROD,FRT BRAKE" |
| 12 | 139933 | | PEDAL ASM CL/BK36 |
| 13 | 123394X | | "ROD,CLUTCH" |
| 14 | 121978X | | "BRKT,LIFT SHAFT" |
| 15 | 133332 | | PVT BRAKE ARM ASM |
| 16 | 19251816 | | WASHER T |
| 17 | 12000034 | | KLIP RING |
| 18 | 151332 | | SPRING ROD BRAKE |
| 19 | 73350600 | | NUT |
| 20 | 73800600 | | NUT |
| 21 | 131460 | | SUB= 532131460 |
| 22 | 144585 | | TRUNNION.LIFT. |
| 24 | 19132012 | | WASHER |
| 25 | 4921H | | SPRING.RETAINER |
| 26 | 73930600 | | LOCKNUT |
| 27 | 127369 | | "LINK, MOWER REAR" |
| 28 | 140776 | | LIFT ASM MOW REAR |
| 29 | 72110506 | | SUB= 72270506 |
| 30 | 73510500 | | NUT |
| 31 | 3146R | | RETAINER.SPRING |
| 34 | 73680600 | | SUB= 73690600 |

TRACTOR -- MODEL NUMBER AY1236A

DANA TRANSAXLE - MODEL NUMBER 4360-78

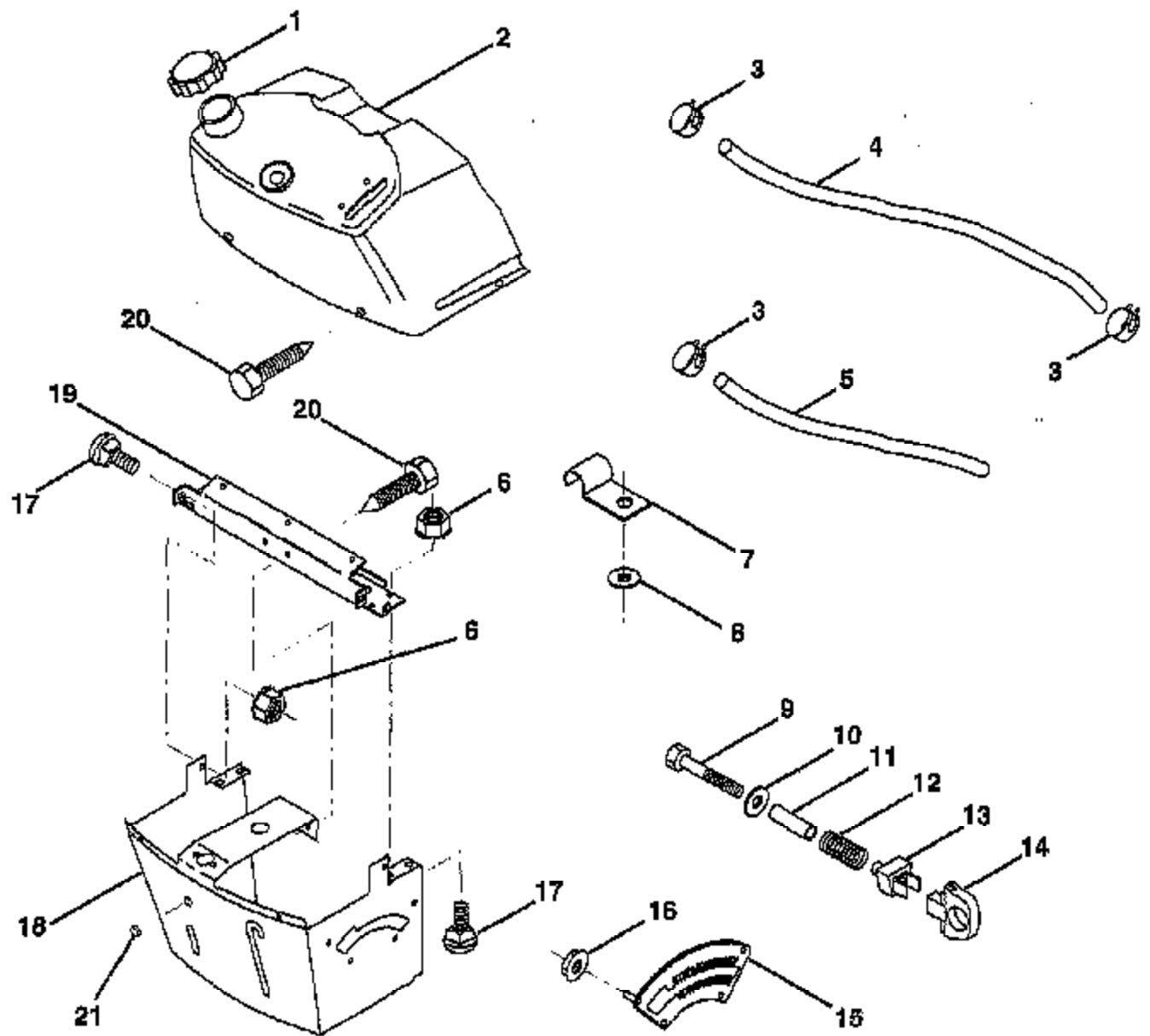


| Ref # | Part Number | Qty | Description |
|-------|-------------|-----|---------------------|
| 1 | 142671 | | HOUSING UPPER TRN |
| 2 | 2274J | | SUB= 74760412 |
| 3 | 134400 | | SUB= 68003 |
| 4 | 105904X | | "SPRING, DETENT LT" |
| 5 | 105905X | | "SCREW, SET LT" |
| 6 | 138235 | | KIT SHIFTER ASM |
| 7 | 134399 | | SHIFTER BOOT |
| 8 | 120951X | | PUCK T |
| 9 | 143045 | | SEAL OIL DANA5416 |
| 10 | 142672 | | SUB= 2225J |
| 11 | 134793 | | ASM KIT SHIM 4689 |
| 12 | 143051 | | SUB= 148268 |
| 13 | 120415X | | WASHER T |
| 14 | 142674 | | KEY WOODRUFF-DANA |
| 15 | 138234 | | AS KIT INPUT SHFT |
| 16 | 110078X | | PINION 14T T |
| 17 | 105909X | | "RING,RETAINING LT" |
| 18 | 105910X | | "CHAIN,24 PTCH LT" |
| 19 | 105911X | | BEARING.FLNG.5510 |
| 20 | 142675 | | GEAR SPUR 14 TTH |
| 21 | 138246 | | COLLAR CLUTCH |
| 22 | 138236 | | ASM KIT CLTCH KEY |
| 23 | 134791 | | SCREW TAP W/SEAL |
| 24 | 142676 | | SHAFT INTERM DANA |
| 25 | 2244J | | WOODRUFF KEY |
| 26 | 105916X | | "RING,RETAINING LT" |
| 27 | 120470X | | SPROCKET 18T T |
| 28 | 110070X | | SPACER YT |
| 29 | 142677 | | GEAR SPUR 37 TTH |
| 30 | 120405X | | SUB= 124644X |
| 31 | 108980X | | GEAR 25T LT |
| 32 | 120406X | | GEAR SPUR 22 TT |
| 33 | 134796 | | SPUR GEAR 19T |
| 34 | 134797 | | SPACER |
| 35 | 105925X | | "WASHER, PLAIN LT" |
| 36 | 2232J | | WASHER 025 |
| 37 | 108978X | | SPACER |
| 38 | 110079X | | ASSM GEAR COMB |
| 39 | 124639X | | SHAFT IDLER |
| 40 | 120472X | | SPACER T |
| 41 | 105928X | | SPROCKET 9T LT |
| 42 | 110084X | | SUB= 167148 |
| 43 | 134394 | | ASM KIT SHIM |
| 44 | 120473X | | SHAFT T |
| 45 | 142678 | | GEAR SPUR 12 TTH |
| 46 | 120407X | | SUB= 124641X |
| 47 | 106589X | | "GEAR, SPUR 25T LT" |
| 48 | 120408X | | GEAR 28T T |
| 49 | 105937X | | "GEAR, SPUR 31T LT" |
| 50 | 105936X | | SPACER LT |
| 51 | 2226J | | WASHER 060 |
| 52 | 134401 | | NEOPRENE WASHER |
| 53 | 2264J | | WASHER 031 |
| 54 | 120474X | | SUB= 154658 |
| 55 | 110081X | | GEAR 15T T |
| 56 | 105941X | | "RING,RETAINING LT" |
| 57 | 110071X | | SUB= 120478X |
| 58 | 120952X | | SHAFT T |

| Ref # | Part Number | Qty | Description |
|-------|-------------|-----|---------------------|
| 59 | 110082X | | GEAR 1ST T |
| 60 | 120475X | | SUB= 154659 |
| 61 | 142680 | | HOUSING LOWER TNS |
| 62 | 120961X | | PUCK T |
| 63 | 7294J | | BRAKE DISC. T |
| 64 | 108989X | | SPACER LT |
| 65 | 120953X | | SUB= 918120953X |
| 66 | 120954X | | PIN T |
| 67 | 134799 | | TAP SCREW |
| 68 | 138244 | | SUB= 108992X |
| 69 | 108996X | | WASHER LT |
| 70 | 120956X | | NLA |
| 71 | 73810500 | | NUT.LOCK.5/16-24 |
| 72 | 106596X | | "SCREW, TAPPING LT" |
| 73 | 120416X | | SUB= 126976X |

TRACTOR -- MODEL NUMBER AY1236A

DASH

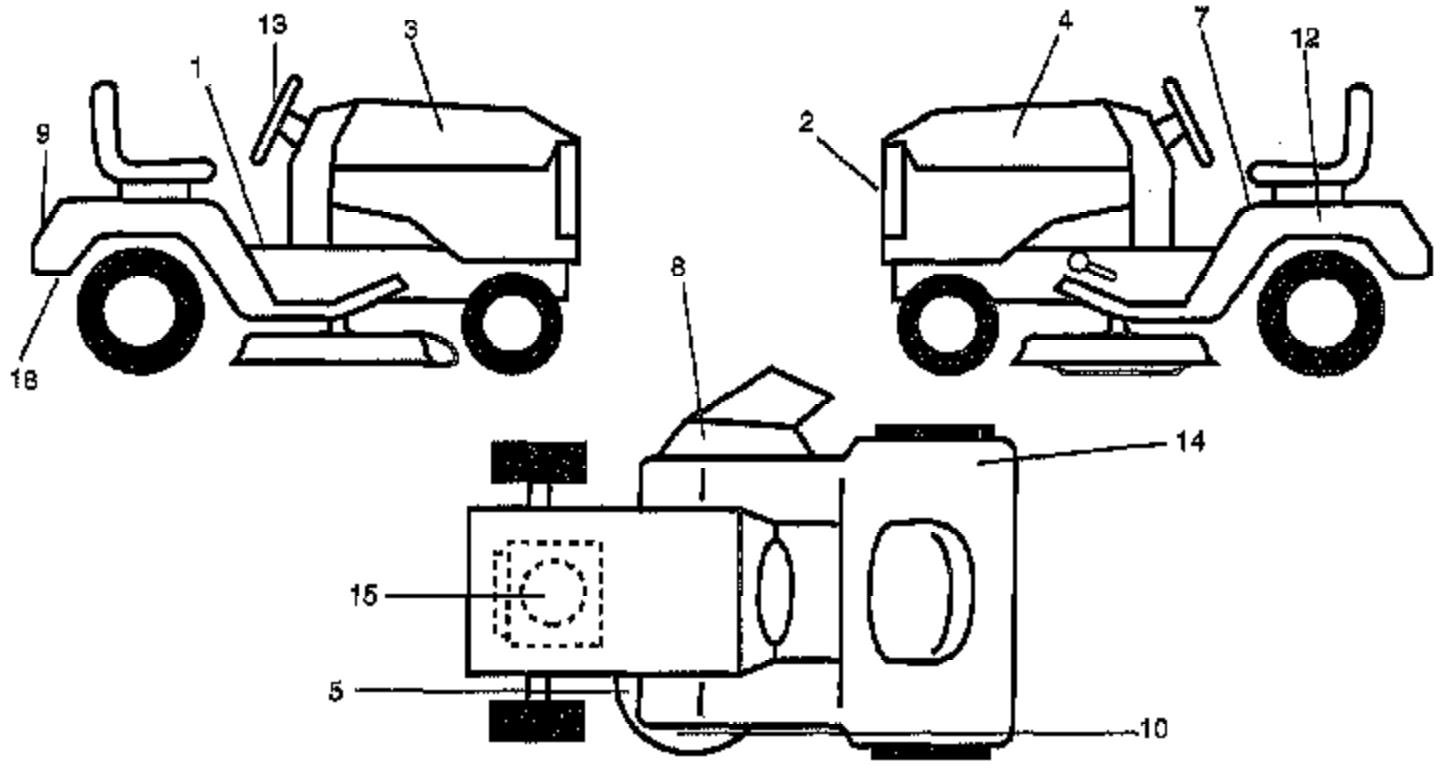


NOTE: All component dimensions given in U.S. Inches
1 inch = 25.4 mm.

| Ref # | Part Number | Qty | Description |
|-------|-------------|-----|---------------------|
| 1 | 141523 | | CAP BLK FUEL LR |
| 2 | 138392 | | TANK.ASM.DASH.LR |
| 3 | 123487X | | HOSE CLAMP |
| 4 | 8544R | | SUB= 295J |
| 5 | 8548R | | FUEL LINE T |
| 6 | 73640400 | | NUT HXKEP 1/4X20 |
| 7 | 2751R | | CLIP T |
| 8 | 19091216 | | WASHER PM |
| 9 | 74760428 | | BOLT |
| 10 | 19091413 | | WASHER |
| 11 | 121249X | | SPACER SPLIT |
| 12 | 3720R | | SPRING M |
| 13 | 126450X | | "KNOB,HGT RETAINER" |
| 14 | 126115X | | KNOB |
| 15 | 122023X | | ADJUSTER QUAD |
| 16 | 124346X | | NUT |
| 17 | 72110404 | | BOLT |
| 18 | 130745 | | SUPT ASSY DASH |
| 19 | 134744 | | CROSS BRACE |
| 20 | 17060408 | | SCREW.1/4-20X1/2 |
| 21 | 134014 | | PLUG DOME |

TRACTOR - - MODEL NUMBER AY1236A

DECALS

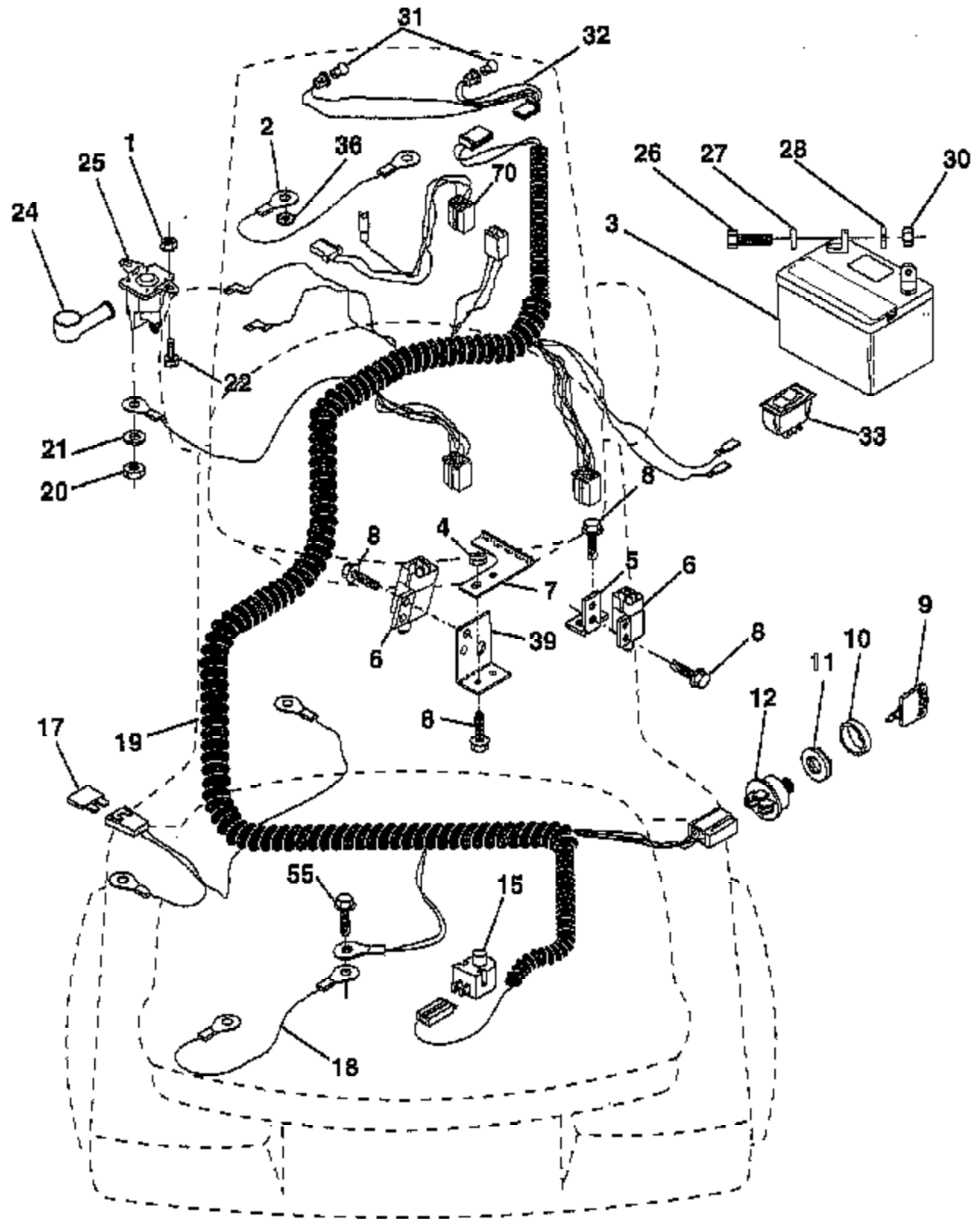


NOTE: All component dimensions given in U. S. Inches
1 Inch = 25.4 mm

| Ref # | Part Number | Qty | Description |
|-------|-------------|-----|-------------------|
| | | | REFER TO IMAGE |
| 1 | 145545 | | DECAL.OP.INST.SYM |
| 2 | 126860X | | "DECAL,LIGHT BOX" |
| 3 | 153230 | | DECAL HOOD RH |
| 4 | 153231 | | DECAL HOOD LH |
| 5 | 136830 | | DECAL.V.BELT |
| 7 | 145498 | | DECAL.READ.O.MANU |
| 8 | 145494 | | DECAL.DANGER.CUTF |
| 9 | 152197 | | "DECAL,FENDER" |
| 10 | 141517 | | DECAL DECK WIZ + |
| 12 | 146451 | | DECAL.BTRY.DANGER |
| 13 | 152198 | | "DECAL,INSERT" |
| 14 | 125690X | | DECAL |
| 15 | 271967 | | DECAL, ENGINE |
| 18 | 145437 | | DECAL.EURO.ST.CE. |
| | 138311 | | DECAL HANDLE LIFT |
| | 152633 | | MANUAL GEN LR36 E |
| | 153223 | | MANUAL.P.AY1236A |
| | CE36 | | REAR BAGGER |
| | MK36 | | MULCHER KIT |

TRACTOR - - MODEL NUMBER AY1236A

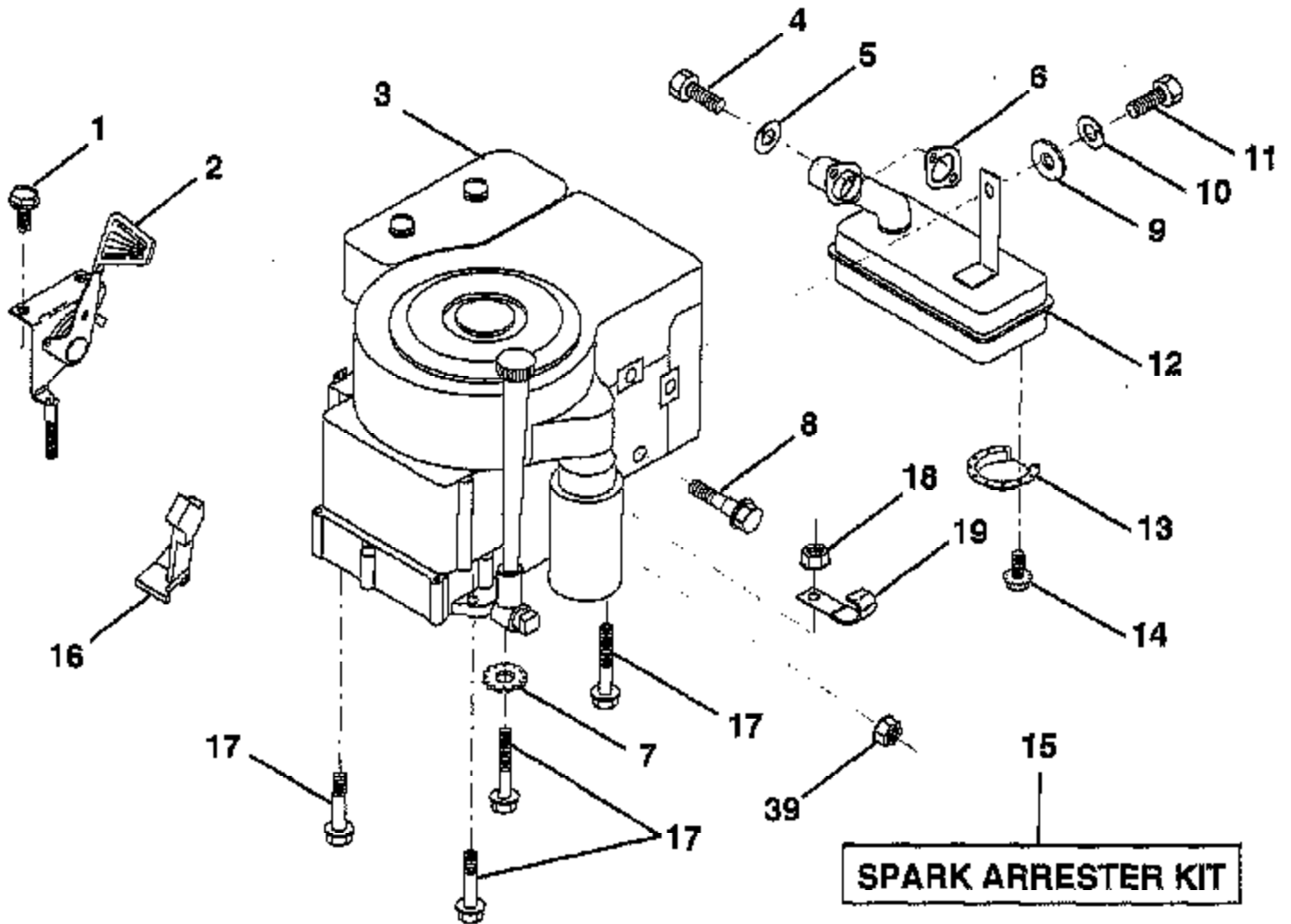
ELECTRICAL



| Ref # | Part Number | Qty | Description |
|-------|-------------|-----|---------------------|
| 1 | 73640400 | | NUT HXKEP 1/4X20 |
| 2 | 108423X | | CABLE ASM. |
| 3 | 146138 | | SUB= 123888X |
| 4 | 69180 | | LOCKNUT |
| 5 | 108236X | | BRACKET LT |
| 6 | 109553X | | SWITCH INTERLOCKT |
| 7 | 146374 | | KEEPER.ACTUAT.LR. |
| 8 | 17021008 | | SCREW |
| 9 | 140401 | | KEY MLD GEN DELTA |
| 10 | 141226 | | COVER KEY SWITCH |
| 11 | 140400 | | SUB= 145774 |
| 12 | 144921 | | SUB= 163088 |
| 15 | 121305X | | SWITCH SEAT |
| 17 | 108824X | | FUSE HYT |
| 18 | 128353 | | CABLE ASSY |
| 19 | 146064 | | HARNESS.IGN.LR. |
| 20 | 73350400 | | NUT |
| 21 | 10090400 | | SUB= 10040400 |
| 22 | 71110408 | | BOLT HXHD FIN |
| 24 | 131563 | | SUB= 154336 |
| 25 | 145673 | | SUB= 146154 |
| 26 | 74760412 | | BOLT LT |
| 27 | 19091016 | | WASHER |
| 28 | 10040400 | | LOCKWASHER |
| 30 | 73220400 | | SUB= 50675 |
| 31 | 4152J | | HEADLAMP BULB |
| 32 | 136850 | | "HARNESS,LIGHT SOC" |
| 33 | 110712X | | SWITCH LT |
| 36 | 11150400 | | LOCKWASHER |
| 39 | 141735 | | BRACKET SWT CLUTC |
| 55 | 17490508 | | SCREW LT |
| 70 | 140413 | | HARNESS ENG DUAL |

TRACTOR -- MODEL NUMBER AY1236A

ENGINE / THROTTLE

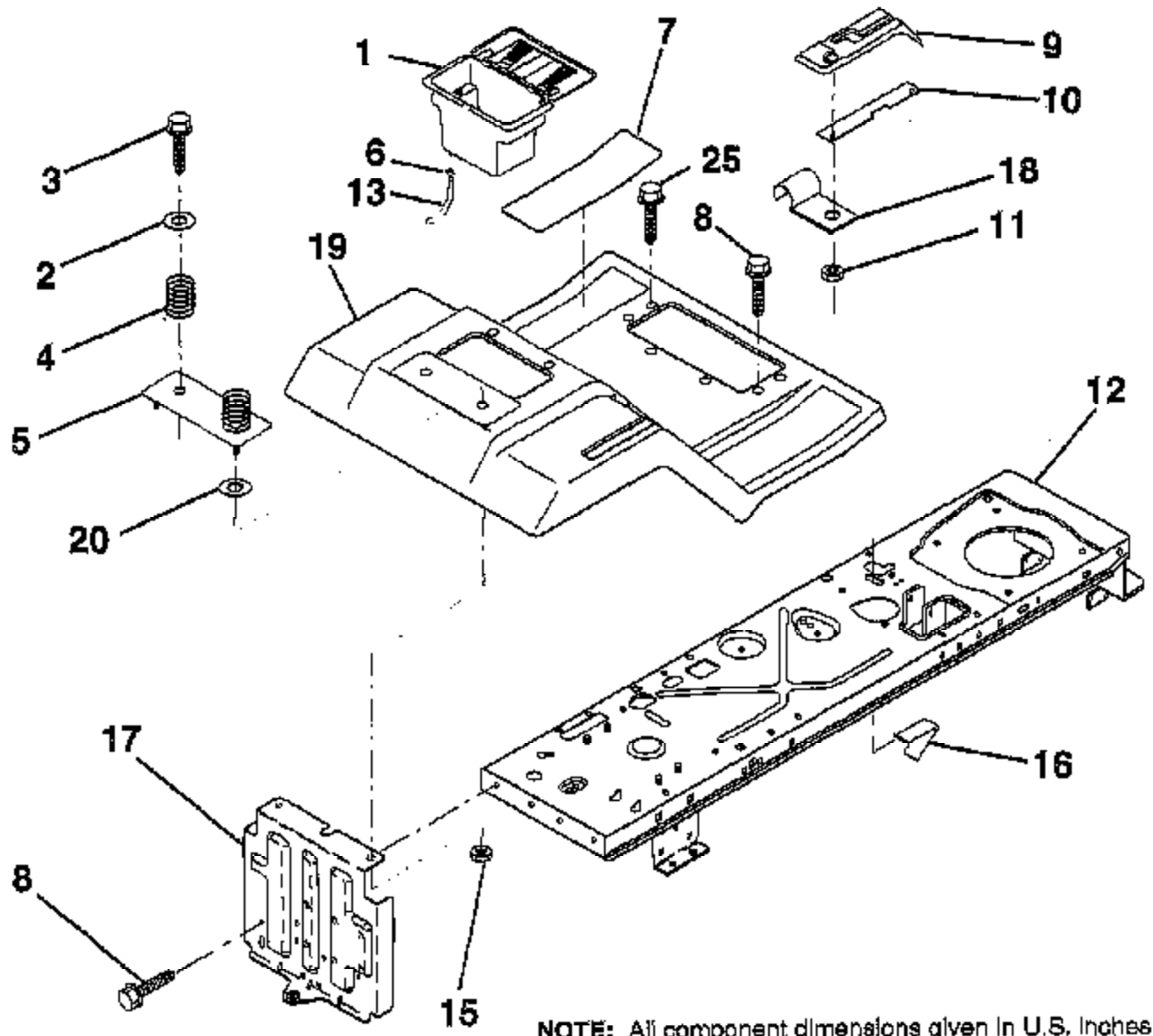


NOTE: All component dimensions given in U.S. inches
1 inch = 25.4 mm

| Ref # | Part Number | Qty | Description |
|-------|-------------|-----|--------------------------------|
| 1 | 17060408 | | SCREW.1/4-20X1/2 |
| 2 | 133025 | | SUB= 532133025 |
| 3 | | | CHECK WITH SUPPLIER |
| 4 | 71070512 | | SCREW |
| 5 | 10040500 | | LOCKWASHER |
| 6 | 272293 | | GASKET ENG 1 313 LD TIN PLATED |
| 7 | 11050600 | | LOCKWASHER |
| 8 | 121094X | | BOLT T |
| 9 | 19101216 | | WASHER |
| 10 | 10040400 | | LOCKWASHER |
| 11 | | | CHECK WITH SUPPLIER |
| 12 | 137437 | | MUFFLER |
| 13 | 101326L | | DEFLECTOR.222573 |
| 14 | 17030808 | | SUB= 17030814 |
| 15 | 137180 | | SUB= 532137180 |
| 16 | 127951 | | "STOP,DASH THROTT" |
| 17 | 17490624 | | SCREW LT |
| 18 | 73510600 | | NUT |
| 19 | 2751R | | CLIP T |
| 39 | 128861 | | NUT |

TRACTOR - - MODEL NUMBER AY1236A

FENDER / CHASSIS

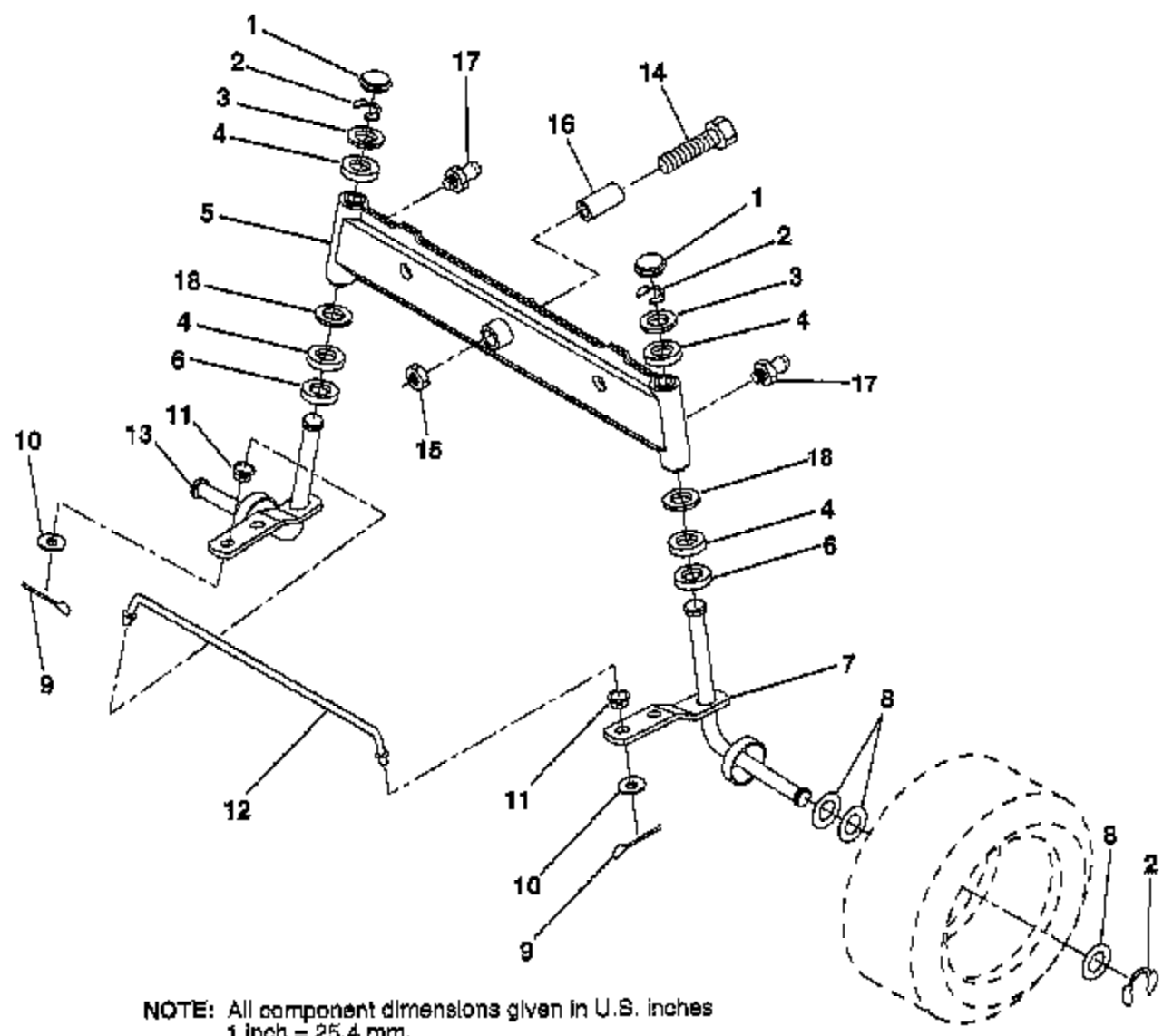


NOTE: All component dimensions given in U.S. inches
1 inch = 25.4 mm.

| Ref # | Part Number | Qty | Description |
|-------|-------------|-----|--------------------|
| 1 | 144940 | | SUB= 156417 |
| 2 | 19132012 | | WASHER |
| 3 | 17490612 | | SCREW |
| 4 | 124181X | | SPRING COMPRESSION |
| 5 | 127115X550 | | PLATE.FEND.LR.ASM |
| 6 | 109596X | | HOSE CLAMP T |
| 7 | 124144X | | PAD FOOTREST |
| 8 | 17490512 | | SCREW |
| 9 | 126994X | | CONSOLE SHFT 5SP |
| 10 | 139783 | | PLATE LOCK SHIFT |
| 11 | 124346X | | NUT |
| 12 | 145190 | | CHASSIS.WELD.ASM. |
| 13 | 109238X | | TUBE T |
| 15 | 73640400 | | NUT HXKEP 1/4X20 |
| 16 | 141736 | | SUB= 146613 |
| 17 | 140782 | | DRAWBAR ASM LR |
| 18 | 126470X | | "CLIP,INSULATOR" |
| 19 | 140955X550 | | FENDER/FOOTREST |
| 20 | 19091413 | | WASHER |
| 25 | 17190516 | | SCREW |

TRACTOR - - MODEL NUMBER AY1236A

FRONT AXLE

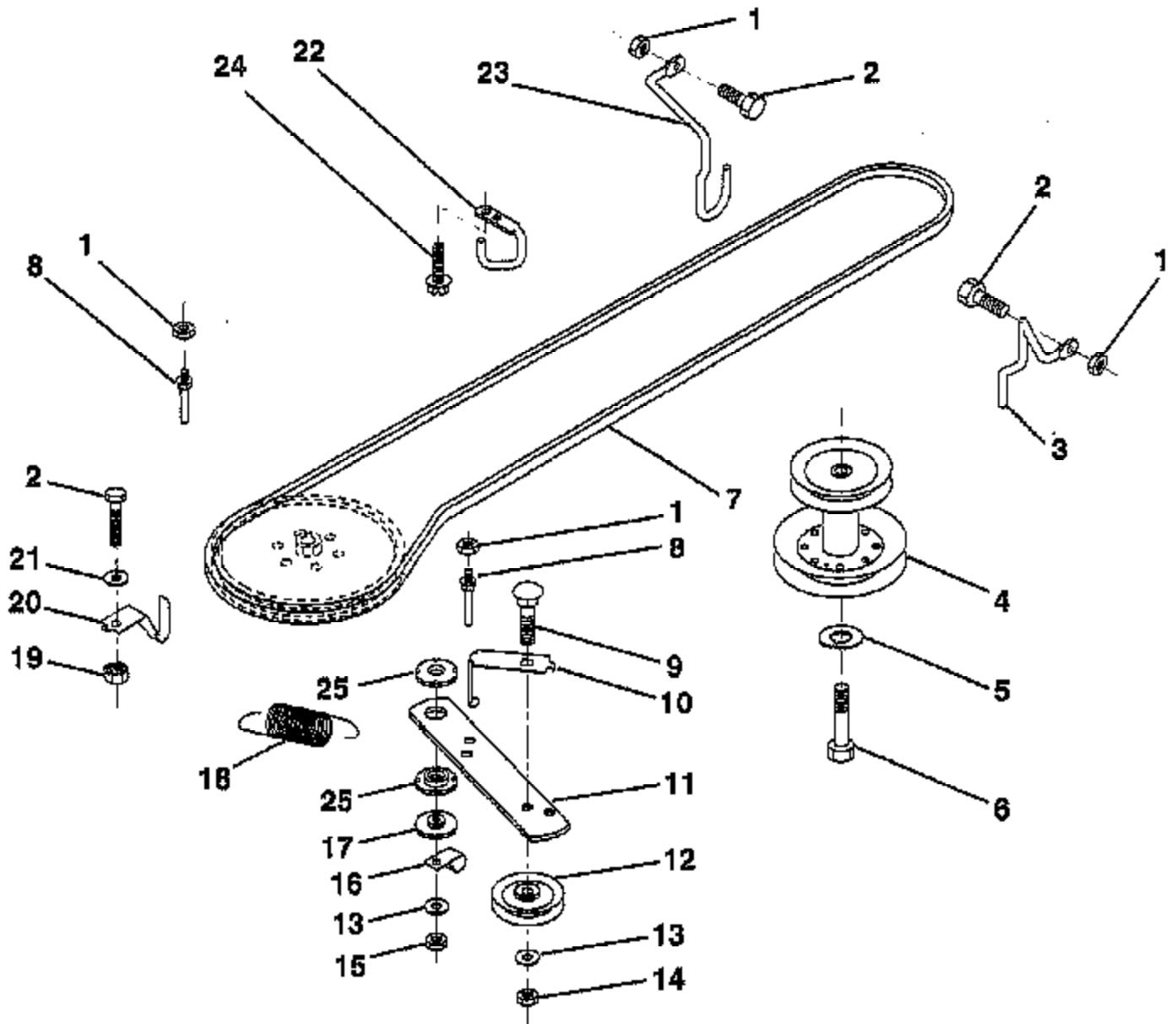


NOTE: All component dimensions given in U.S. inches
1 inch = 25.4 mm.

| Ref # | Part Number | Qty | Description |
|-------|-------------|-----|---------------------|
| 1 | 121232X | | CAP |
| 2 | 12000029 | | RING |
| 3 | 121748X | | WASHER |
| 4 | 3366R | | COL. SRTG. BEAR. |
| 5 | 142033 | | AXLE ASM FRONT |
| 6 | 6266H | | WASHER .T |
| 7 | 137062 | | SPINDLE ASM RH |
| 8 | 121749X | | WASHER |
| 9 | 76020412 | | COTTER PIN |
| 10 | 19131316 | | WASHER |
| 11 | 126847X | | BUSHING.DRAGLINK |
| 12 | 130465 | | TIE ROD |
| 13 | 137061 | | SPINDLE ASM LH |
| 14 | 74011056 | | BOLT HEX 5/8-11 |
| 15 | 73901000 | | "NUT-LOC,FLANGE LT" |
| 16 | 110438X | | BEARING |
| 17 | 6855M | | ZERK M |
| 18 | 19272016 | | WASHER |

TRACTOR -- MODEL NUMBER AY1236A

GROUND DRIVE



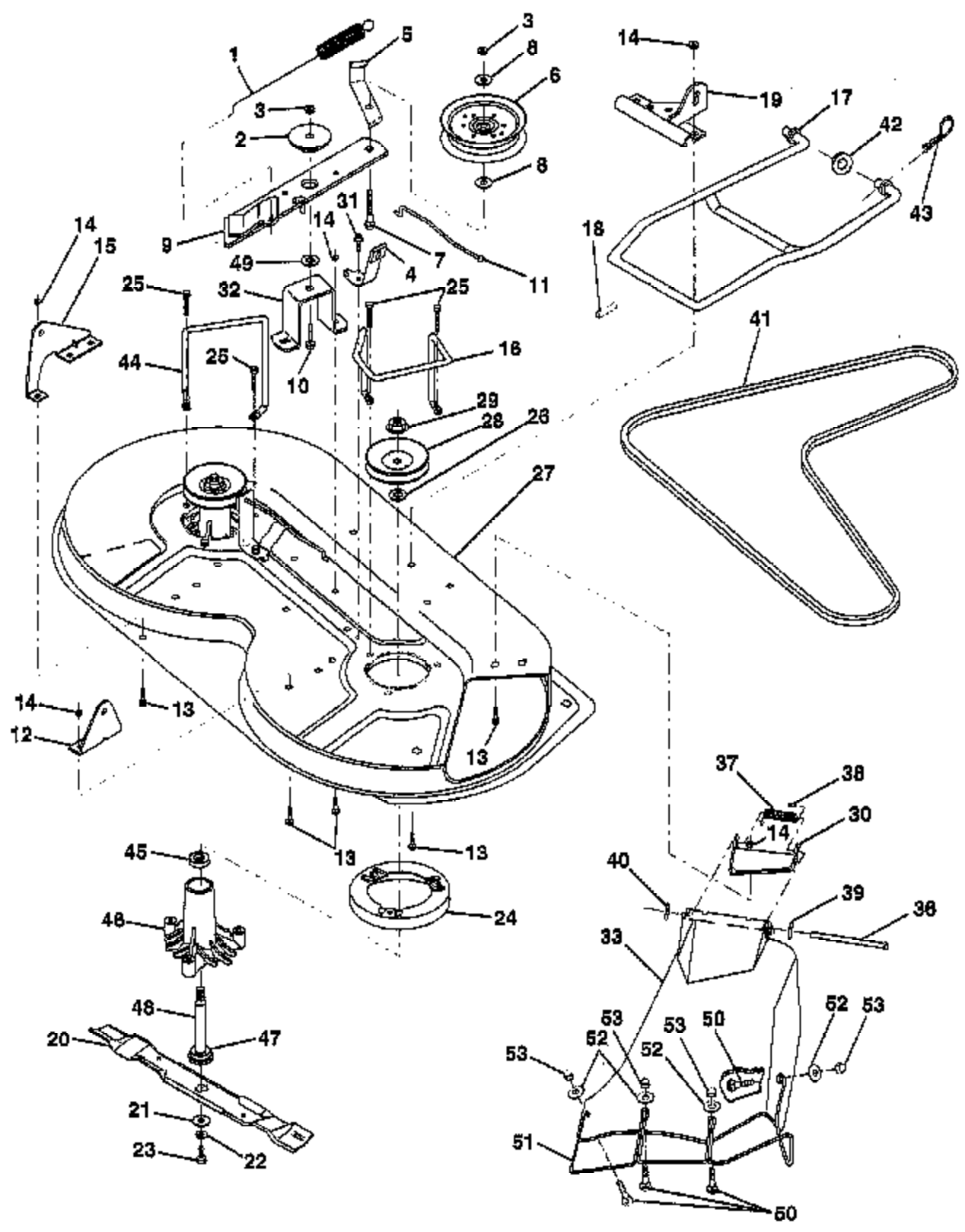
NOTE: All component dimensions given in U.S. Inches
1 inch = 25.4 mm

| Ref # | Part Number | Qty | Description |
|-------|-------------|-----|----------------------|
| 1 | 73680500 | | SUB= 73690500 |
| 2 | 74760512 | | BOLT |
| 3 | 141342 | | KEEPER RH |
| 4 | 138029 | | PULLEY.ENGINE.LR |
| 5 | 10040700 | | LOCKWASHER |
| 6 | 71170744 | | HEX BOLT |
| 7 | 124525X | | BELT |
| 8 | 123405X | | "KEEPER,DRIVE BELT" |
| 9 | 72140612 | | BOLT |
| 10 | 123396X | | "KEEP,IDLER DR BEL " |
| 11 | 150926 | | ARM-IDLER.DR.GRND |
| 12 | 123674X | | PULLEY.IDLER.FLAT |
| 13 | 19131316 | | WASHER |
| 14 | 73930600 | | LOCKNUT |
| 15 | 73680600 | | SUB= 73690600 |
| 16 | 126471X | | "CLIP,INSULATOR" |
| 17 | 150932 | | SPACER |
| 18 | 131459 | | SUB= 532131459 |
| 19 | 73510500 | | NUT |
| 20 | 139919 | | KEEPER.BELT.T/A |
| 21 | 19111016 | | WASHER |
| 22 | 123404X | | "KEEPER,FRA DR BEL " |
| 23 | 140916 | | KEEPER MOWER LH |
| 24 | 17720408 | | SCREW |
| 25 | 150935 | | BUSHING.NYLON |

| Ref # | Part Number | Qty | Description |
|-------|-------------|-----|-------------------|
| 1 | 124657X | | EXT SPRING |
| 2 | 73640400 | | NUT HXKEP 1/4X20 |
| 3 | 19091416 | | WASHER |
| 4 | 74780412 | | SUB= 74780414 |
| 5 | 139888 | | BOLT.SHLD.5/16-18 |
| 6 | 122549X | | BRKT HOOD RH |
| 7 | 122548X | | BRKT HOOD LH |
| 8 | 17521312 | | SCREW SLTD HXHD |
| 9 | 73800400 | | NUT |
| 10 | 123693X | | "BRACE,HOOD" |
| 11 | 132918X550 | | HOOD.IMPREG.MS550 |
| 12 | 122035X | | LENS |
| 13 | 127029X | | GRILL |
| 14 | 2751R | | CLIP T |
| 18 | 19111116 | | WASHER |
| 19 | 11030400 | | LOCKWASHER GT |

TRACTOR -- MODEL NUMBER AY1236A

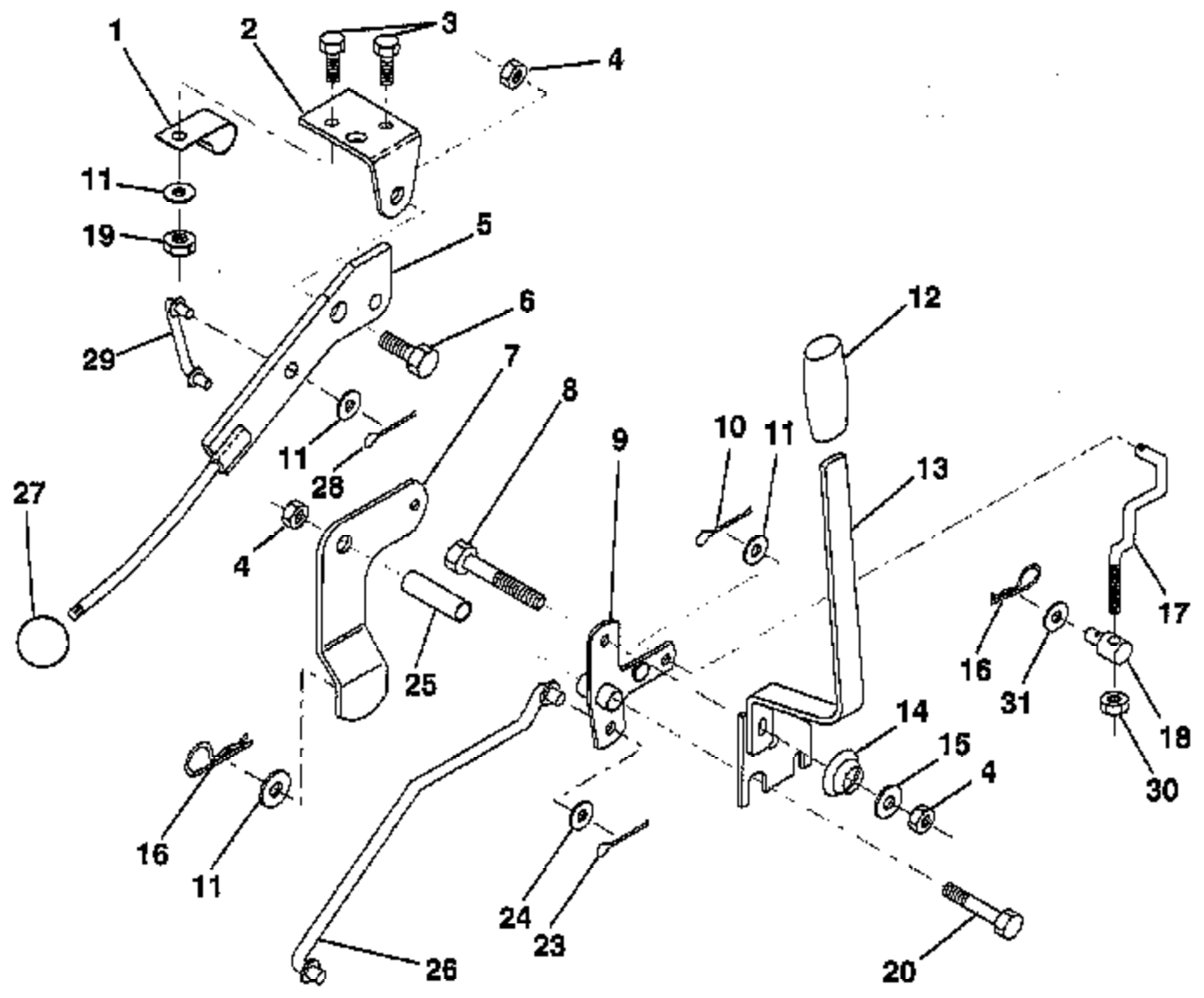
MOWER DECK



| Ref # | Part Number | Qty | Description |
|-------|-------------|-----|---------------------|
| 1 | 140064 | | SPRING CLUTCH MWR |
| 2 | 122052X | | SPACER RETAINER |
| 3 | 73680600 | | SUB= 73690600 |
| 4 | 130840 | | BRAKE ASM |
| 5 | 131251 | | IDLER BELT GUIDE |
| 6 | 121316X | | PULLEY IDLER |
| 7 | 72110616 | | BOLT |
| 8 | 19131410 | | WASHER |
| 9 | 127744 | | SUB= 140092 |
| 10 | 72140610 | | BOLT.3/8-14X1.25 |
| 11 | 130841 | | BRAKE ROD |
| 12 | 127356 | | "BRKT,LIFT REAR" |
| 13 | 72140506 | | BOLT |
| 14 | 73680500 | | SUB= 73690500 |
| 15 | 127357 | | "BRKT,LIFT REAR LH" |
| 16 | 140609 | | SUB= 153298 |
| 17 | 128508 | | MOWER LINK STAB |
| 18 | 128511 | | "PIN,GROOVE" |
| 19 | 127380 | | "BRKT,LINK STABLI" |
| 20 | 138496 | | "BLADE.36"" HIPERF" |
| 21 | 140296 | | WASHER.HARD.BLADE |
| 22 | 10030600 | | SUB= 10040600 |
| 23 | 850857 | | BLADE BOLT |
| 24 | 140329 | | STRIPPER RND MWR |
| 25 | 138776 | | SUB= 157722 |
| 26 | 129963 | | WASHER |
| 27 | 129983 | | SUB= 156600 |
| 28 | 129207 | | SUB= 153531 |
| 29 | 137266 | | SUB= 139729 |
| 30 | 136631 | | SUB= 532136631 |
| 31 | 17490508 | | SCREW LT |
| 32 | 122051X | | "SUPT,IDLER ARM" |
| 33 | 139083 | | SHIELD.DEFL.36TUV |
| 36 | 121980X | | HINGE ROD |
| 37 | 123713X | | SPRING TORSION |
| 38 | 105304X | | CAP-SLEEVE LT |
| 39 | 19111016 | | WASHER |
| 40 | 110452X | | NUT PUSH M |
| 41 | 131264 | | V-BELT.PRIM.78.5. |
| 42 | 19171616 | | WASHER |
| 43 | 3146R | | RETAINER.SPRING |
| 44 | 140608 | | KEEPER BELT LH |
| 45 | 110485X | | BEARING |
| 46 | 128774 | | HSG ASM MANDREL |
| 47 | 129895 | | BEARING.BALL |
| 48 | 137645 | | SUB= 137646 |
| 49 | 133943 | | HARDENED WASHER |
| 50 | 71161010 | | SCREW |
| 51 | 136383 | | GUARD.DFTR.MWR.36 |
| 52 | 19070718 | | NLA |
| 53 | 60867 | | ACORN NUT RB |
| | 130794 | | MANDREL ASM |
| | 144973 | | DECK.36.LR |

TRACTOR - - MODEL NUMBER AY1236A

MOWER LIFT LEVER

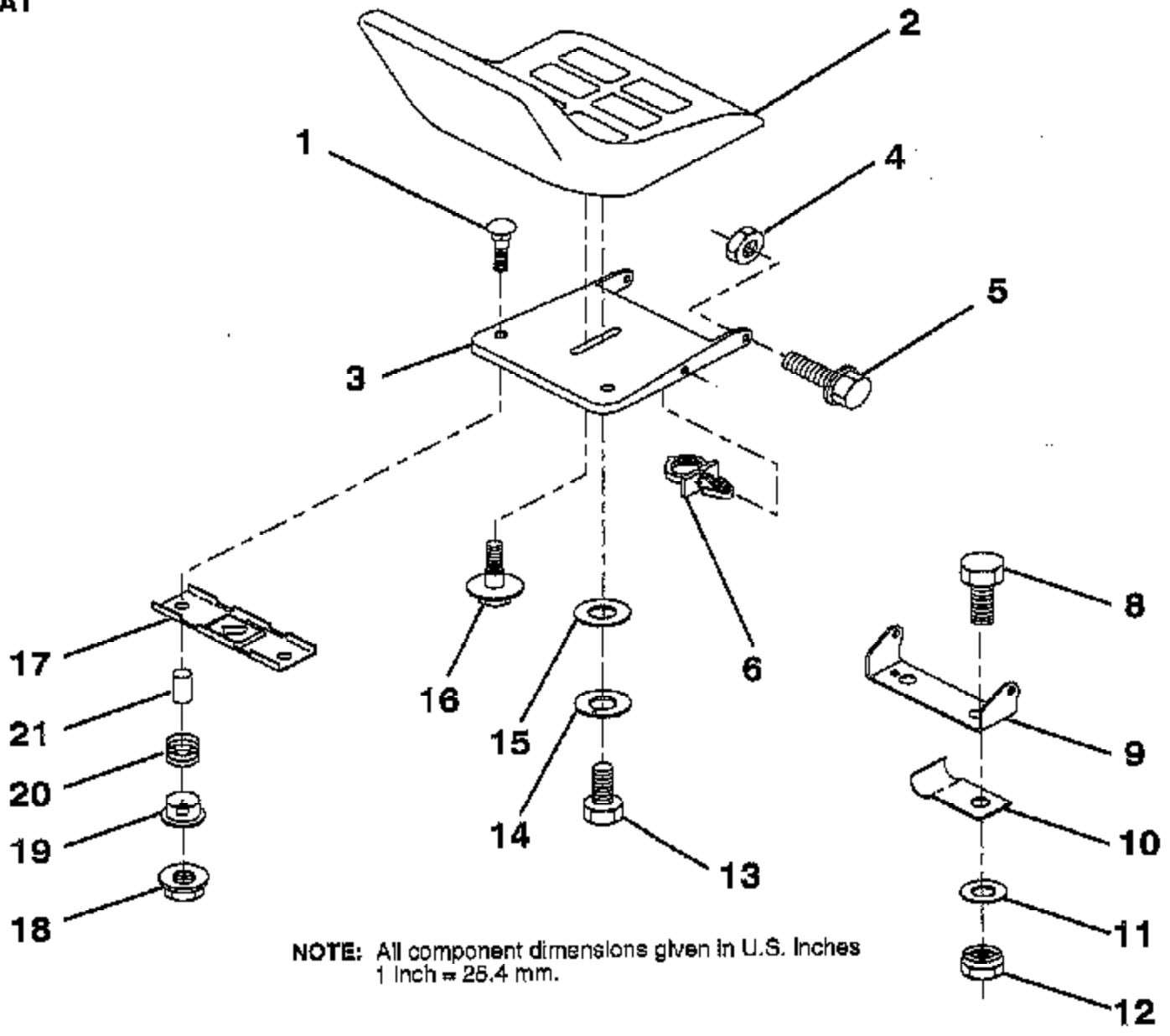


NOTE: All component dimensions given in U.S. inches
1 inch = 25.4 mm.

| Ref # | Part Number | Qty | Description |
|-------|-------------|-----|---------------------|
| 1 | 126470X | | "CLIP,INSULATOR" |
| 2 | 122018X | | BRKT CLUTCH |
| 3 | 71110408 | | BOLT HXHD FIN |
| 4 | 73680600 | | SUB= 73690600 |
| 5 | 145187 | | LEVER.ASM.CLUTCH |
| 6 | 106451X | | "BOLT, SHOULDER LT" |
| 7 | 135371 | | MWR CLUTCH ARM AS |
| 8 | 74760636 | | BOLT |
| 9 | 121930X | | "BELLCRANK,LIFT" |
| 10 | 76020412 | | COTTER PIN |
| 11 | 19131316 | | WASHER |
| 12 | 131861 | | SUB= 532131861 |
| 13 | 139352 | | HANDLE.ASM.LIFT |
| 14 | 123496X | | SPRING COMPRESSIO |
| 15 | 19131212 | | WASHER T |
| 16 | 4921H | | SPRING.RETAINER |
| 17 | 127359 | | "LINK,LIFT FRT" |
| 18 | 142028 | | TRUNION ADJ |
| 19 | 73680400 | | SUB= 73690400 |
| 20 | 74760644 | | BOLT |
| 23 | 76020416 | | PIN COTTER 1/8 |
| 24 | 19171612 | | WASHER GT |
| 25 | 121933X | | TUBE SPACER |
| 26 | 141470 | | ROD LIFT MOWER |
| 27 | 106932X | | KNOB T(3/8 HOLE) |
| 28 | 76020312 | | SUB= 3145 |
| 29 | 131655 | | CLUTCH LINK |
| 30 | 73350600 | | NUT |
| 31 | 19132012 | | WASHER |

TRACTOR -- MODEL NUMBER AY1236A

SEAT

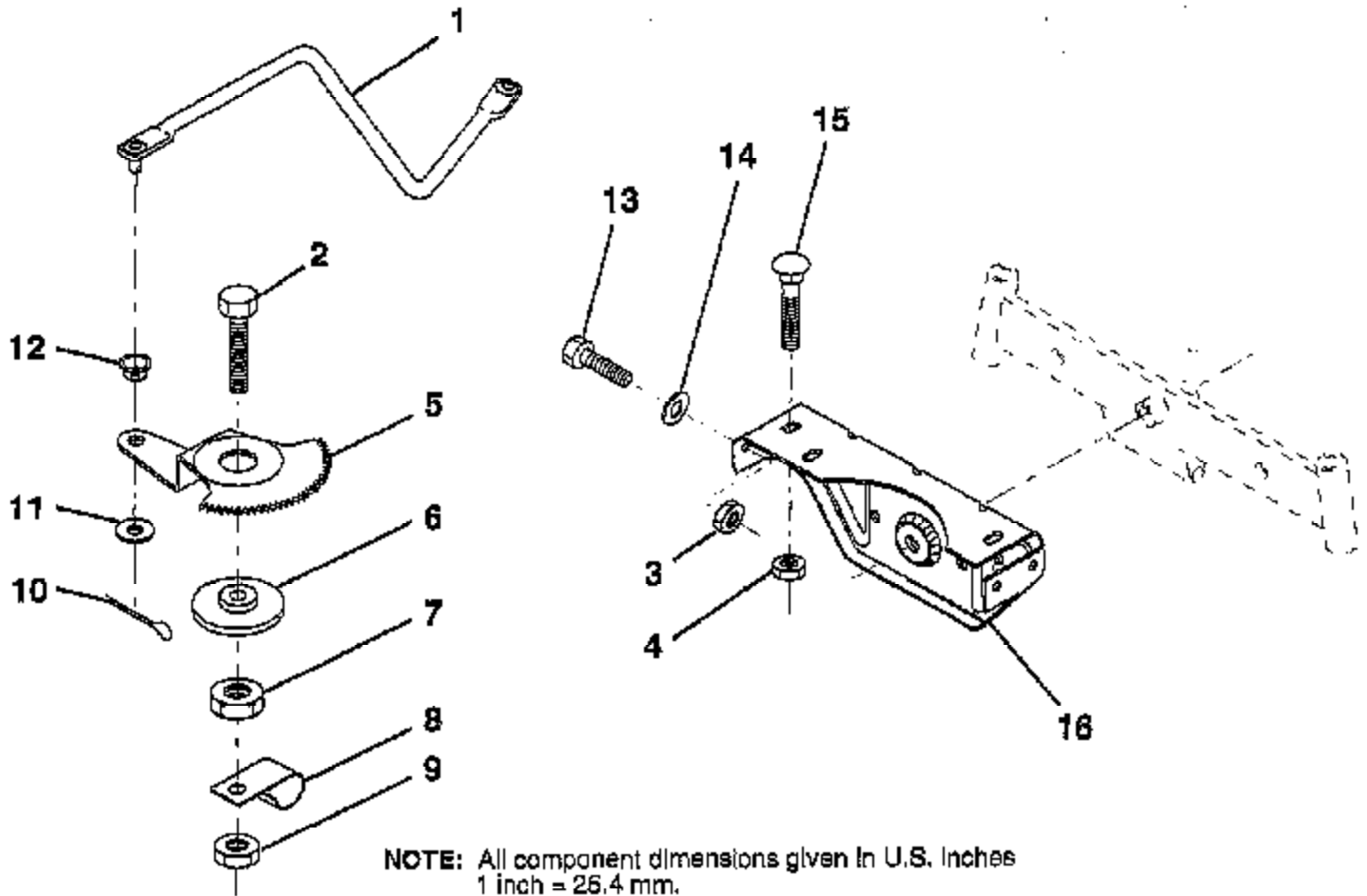


NOTE: All component dimensions given in U.S. Inches
1 Inch = 25.4 mm.

| Ref # | Part Number | Qty | Description |
|-------|-------------|-----|-------------------|
| 1 | 72050411 | | SUB= 872050411 |
| 2 | 127426X | | SUB= 140119 |
| 3 | 140552 | | SUB= 155925 |
| 4 | 73800500 | | NUT |
| 5 | 139888 | | BOLT.SHLD.5/16-18 |
| 6 | 145006 | | CLIP.PUSH-IN.HING |
| 8 | 74760616 | | BOLT |
| 9 | 140551 | | BRACKET PVT SEAT |
| 10 | 126471X | | "CLIP,INSULATOR" |
| 11 | 19133210 | | WASHER |
| 12 | 73800600 | | NUT |
| 13 | 74780814 | | BOLT |
| 14 | 10040800 | | LOCKWASHER |
| 15 | 19171912 | | WASHER |
| 16 | 127018X | | "BOLT,SHOULDER" |
| 17 | 121246X | | BRKT SWITCH |
| 18 | 123976X | | SUB= 73900400 |
| 19 | 121248X | | BUSHING |
| 20 | 121250X | | SPRING |
| 21 | 134300 | | SPLIT SPACER |

TRACTOR -- MODEL NUMBER AY1236A

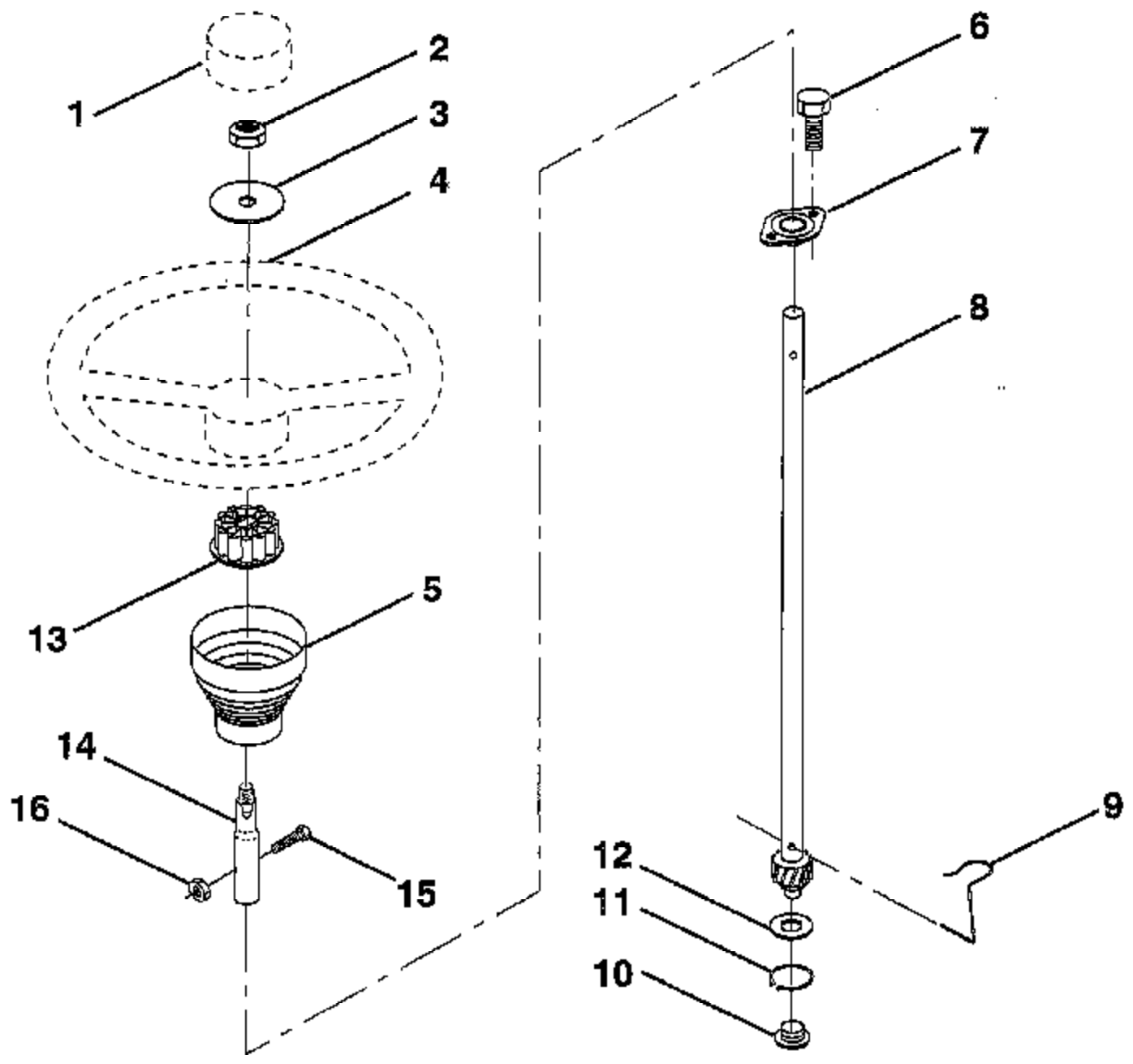
SECTOR GEAR / AXLE SUPPORT



| Ref # | Part Number | Qty | Description |
|-------|-------------|-----|------------------|
| 1 | 132566 | | DRAG LINK |
| 2 | 74780828 | | "BOLT,HEX" |
| 3 | 73680500 | | SUB= 73690500 |
| 4 | 73680600 | | SUB= 73690600 |
| 5 | 121926X | | GEAR SECTOR |
| 6 | 121927X | | BUSHING |
| 7 | 73030800 | | NUT |
| 8 | 126472X | | CLIP INSULATOR |
| 9 | 73680800 | | NUT LTV |
| 10 | 76020412 | | COTTER PIN |
| 11 | 19131316 | | WASHER |
| 12 | 126847X | | BUSHING.DRAGLINK |
| 13 | 74760512 | | BOLT |
| 14 | 19111416 | | WASHER |
| 15 | 72110606 | | BOLT |
| 16 | 137096 | | SUPT AXLE FRONT |

TRACTOR -- MODEL NUMBER AY1236A

STEERING WHEEL

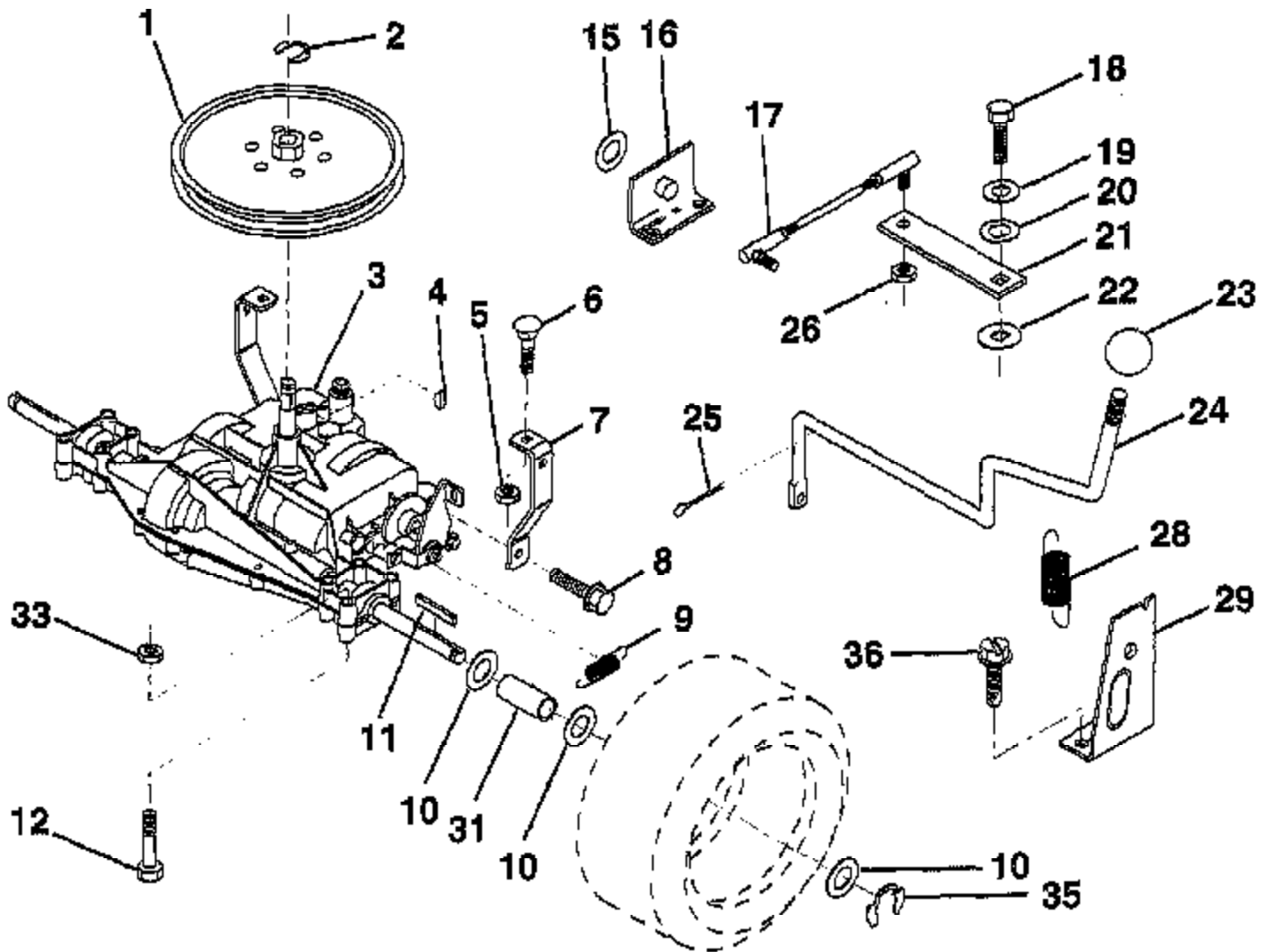


NOTE: All component dimensions given in U.S. inches.
1 inch = 25.4 mm.

| Ref # | Part Number | Qty | Description |
|-------|-------------|-----|-------------------|
| 1 | 133742 | | ST WHL INSERT CAP |
| 2 | 7810H | | GRIPCO NUT |
| 3 | 19133808 | | WASHER T |
| 4 | 133741 | | SUB= 150547 |
| 5 | 121897X | | SLEEVE STEERING |
| 6 | 17431008 | | SUB= 98000165 |
| 7 | 102803X | | SUB= 918102803X |
| 8 | 147391 | | SHAFT.STEERING.LR |
| 9 | 124210X | | STEERING CLIP |
| 10 | 123438X | | BUSHING STEER LWR |
| 11 | 12000045 | | RING |
| 12 | 19211616 | | WASHER LT |
| 13 | 104820X | | ADAPTER-WHEEL LT |
| 14 | 147392 | | SUB= 154307 |
| 15 | 74780520 | | BOLT |
| 16 | 73800500 | | NUT |

TRACTOR -- MODEL NUMBER AY1236A

TRANSAXLE

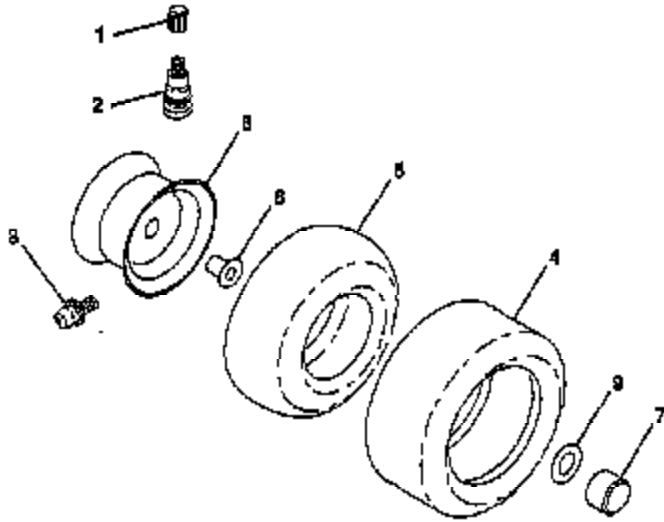


NOTE: All component dimensions given in U.S. inches
1 inch = 25.4 mm.

| Ref # | Part Number | Qty | Description |
|-------|-------------|-----|--------------------|
| 1 | 123385X | | PULLEY |
| 2 | 12000028 | | SUB= 2267J |
| 3 | 142602 | | SUB= 160851 |
| 4 | 2228M | | SUB= 2228M1 |
| 5 | 73680500 | | SUB= 73690500 |
| 6 | 72140506 | | BOLT |
| 7 | 123378X | | "STRAP,TORQUE" |
| 8 | 17490512 | | SCREW |
| 9 | 146682 | | SPRING.BRAKE.RETU |
| 10 | 121749X | | WASHER |
| 11 | 123583X | | SQUARE KEY |
| 12 | 74760644 | | BOLT |
| 15 | 19171616 | | WASHER |
| 16 | 124600X | | "SUPT,HDLE SHT LH" |
| 17 | 123632X | | "LINK,SHIFT" |
| 18 | 74550412 | | BOLT.1/4-28.W/PAT |
| 19 | 10040400 | | LOCKWASHER |
| 20 | 19091210 | | WASHER LT |
| 21 | 123484X | | ARM SHIFT |
| 22 | 105701X | | WASH-SHFT PLT LT |
| 23 | 106933X | | KNOB T (1/2-HOLE) |
| 24 | 128215 | | "ROD,SHIFT" |
| 25 | 76020416 | | PIN COTTER 1/8 |
| 26 | 73810500 | | NUT.LOCK.5/16-24 |
| 28 | 128085 | | "SPRING,EXT" |
| 29 | 128084 | | "SUPT,HDLE RH" |
| 31 | 109502X | | SPACER LT |
| 33 | 73680600 | | SUB= 73690600 |
| 35 | 12000001 | | E-RING LT |
| 36 | 17720408 | | SCREW |

TIRES & WHEELS

TRACTOR - - MODEL NUMBER AY1236A



NOTE: All component dimensions given in U. S. Inches
1 inch = 25.4 mm

| Ref # | Part Number | Qty | Description |
|-------|-------------|-----|--------------------------|
| 1 | 59192 | | VALVE CAP |
| 2 | 65139 | | VALVE STEM LT |
| 3 | 278H | | FITTING LT |
| 4 | 137422 | | SUB= 122073X |
| 4 | 132703 | | SUB= 532132703 |
| 5 | 59904 | | TUBE.5.3/4.5/6 |
| 5 | 8134H | | TUBE.16X6.5/7.5-8 |
| 6 | 137237X427 | | "RIM FRONT 6"" |
| 6 | 140325X427 | | "RIM ASM REAR 8"" |
| 7 | 104757X | | HUB CAP |
| 8 | 9040H | | "FLANGE, BEARING" |
| 9 | 121748X | | WASHER |
| | 144334 | | SEALANT.TIRE 10 OZ. TUBE |