



www.stiga.com

Illustrated Parts List

for model:

SBC 635 KD

www.emc-motoculture.com

- Use GLOBAL GARDEN PRODUCTS genuine spare parts specified in the parts list for repair and/or replacement.
- Then contents described in the parts list may change due to improvement.
- The drawings of the spare part are only indicative and might not represent the part in question exactly.
- The indications "right" - "left" - "front" - "rear" refer to the position of the operator when using the machine.
- When placing orders of parts for repair and/or replacement, make sure that the illustrated parts list is the one applying to the machine's year of manufacture, as shown on the identification plate attached to the machine.

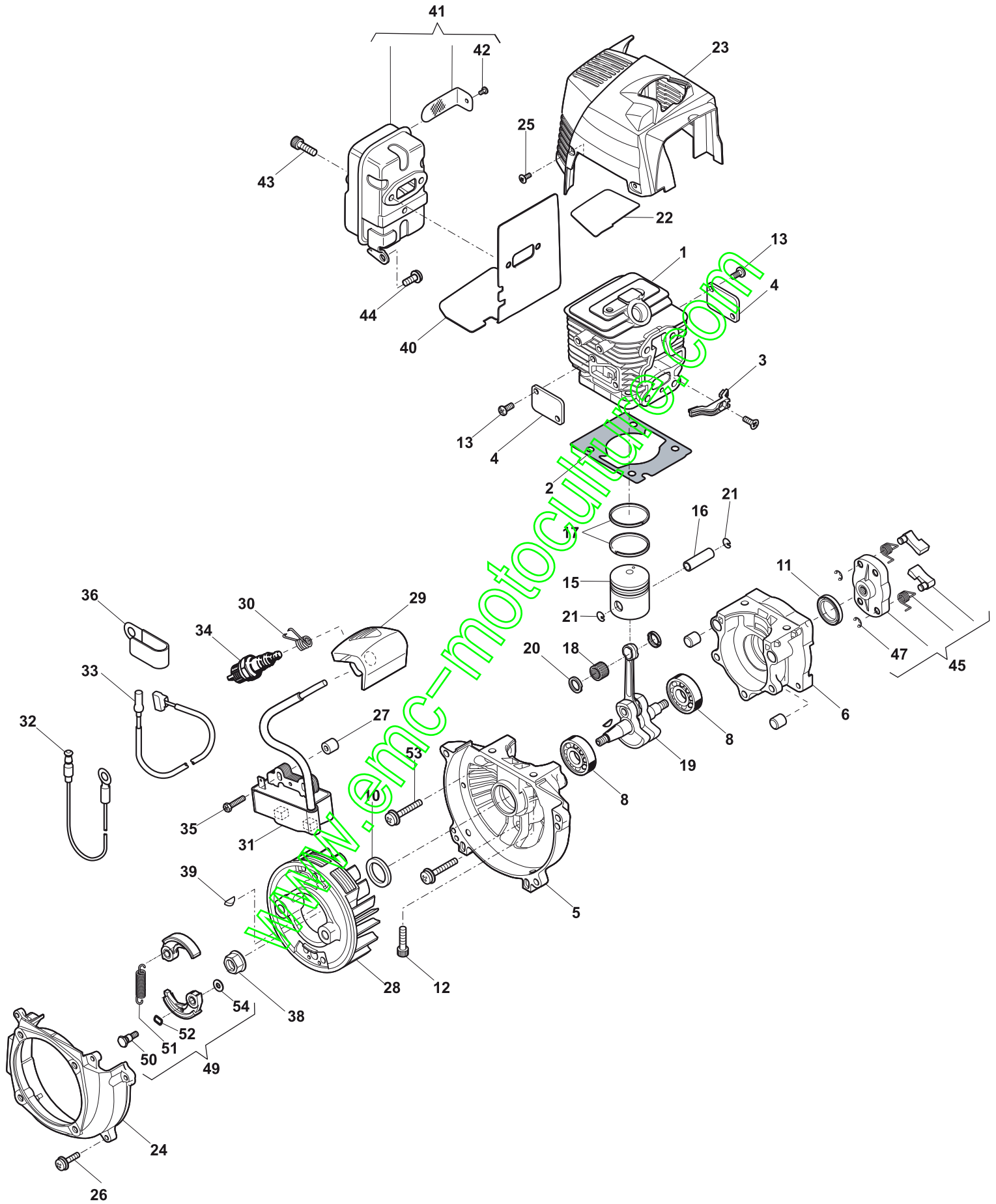
© Copyright 2014 Global Garden Products

All content is subject to copyright by Global Garden Products and may not be reproduced in whole or in part by any means, electronic or otherwise, without prior written approval.

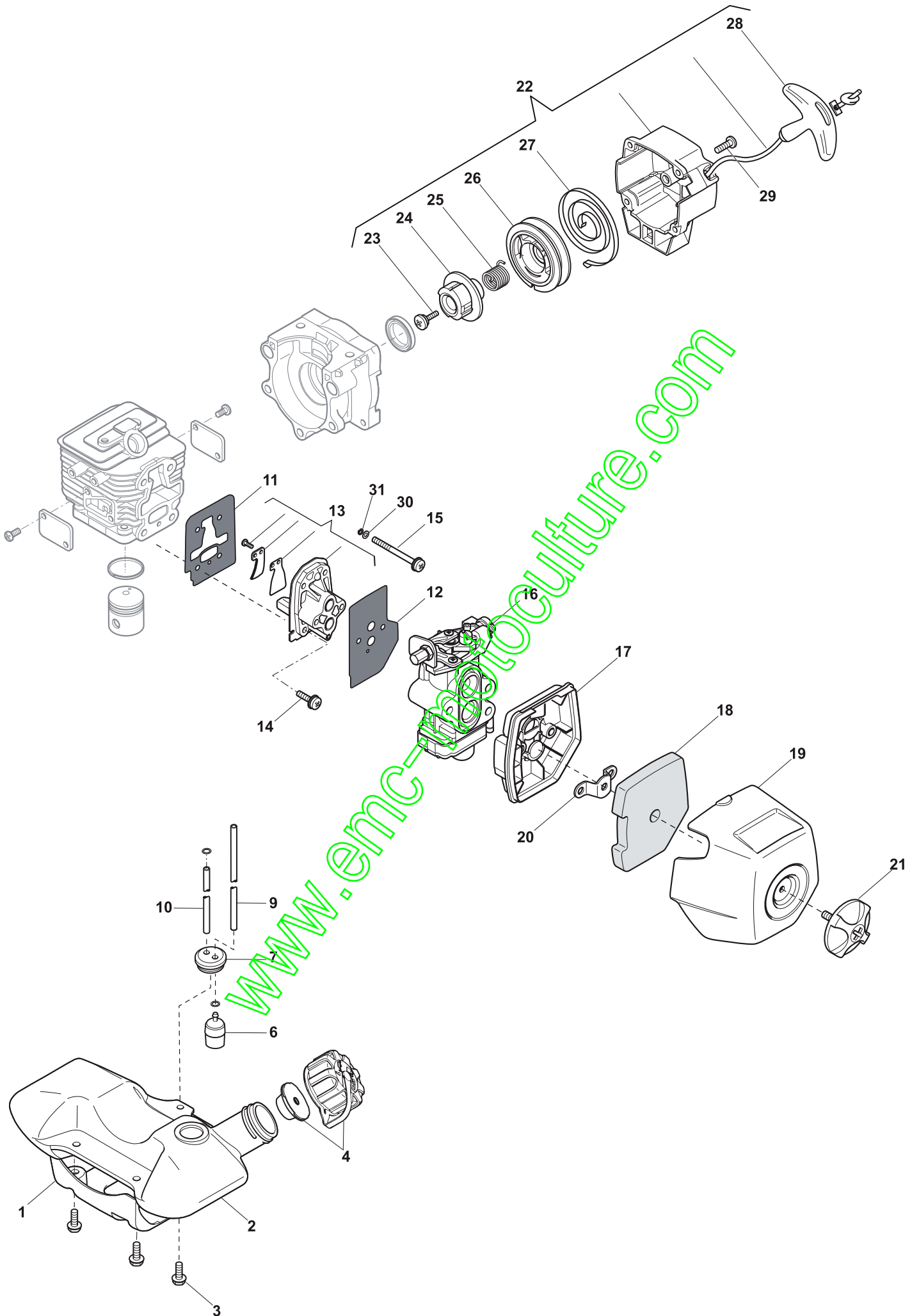
THIS INFORMATION IS NOT INTENDED FOR SALE OR RESALE, AND THIS NOTICE MUST REMAIN ON ALL COPIES.

www.ggp-group.com





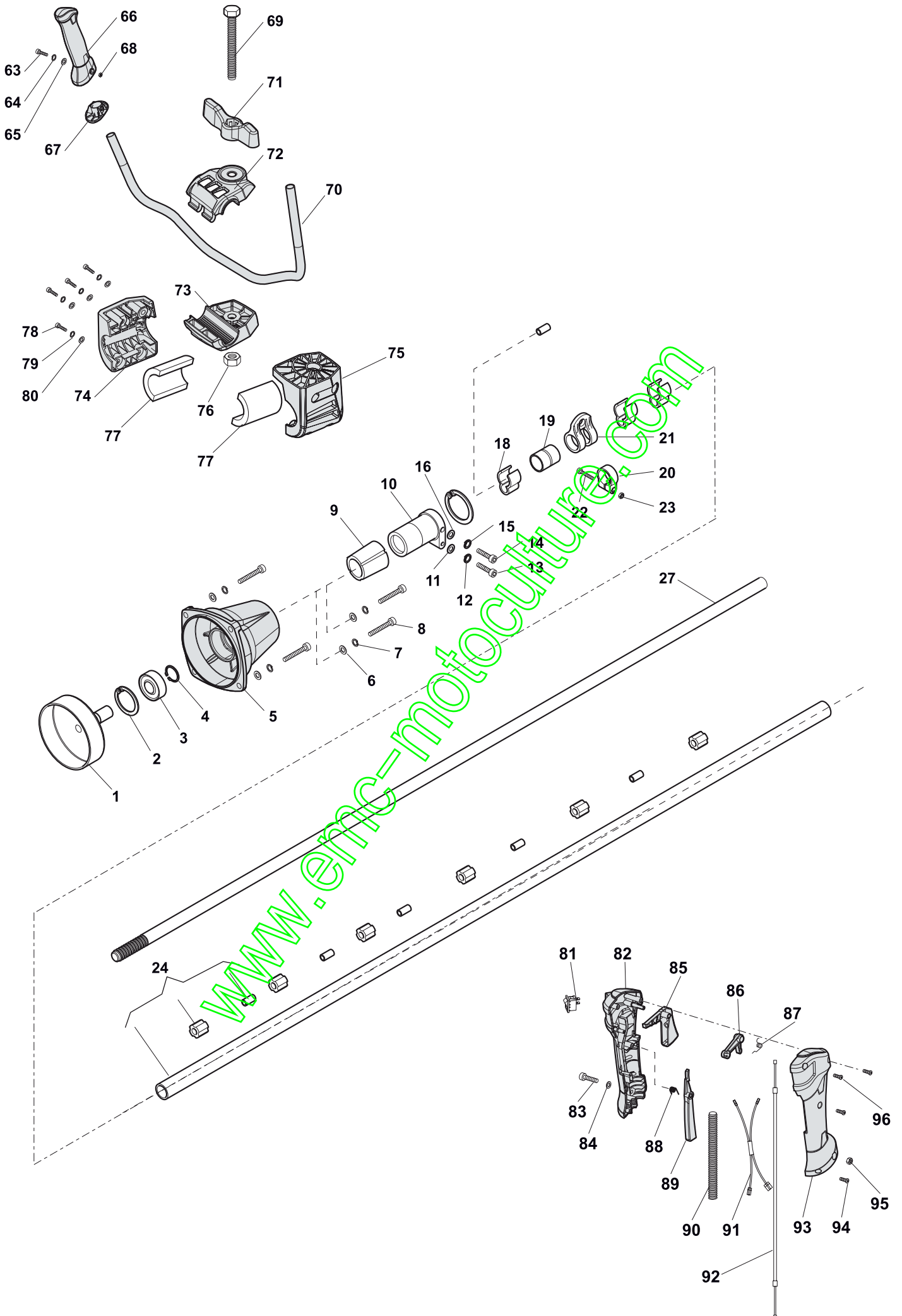
SBC 635 KD				Engine parts
POS	CODE	Q.TY	DESCRIPTION	NOTES
1	118801958/0	1	Cylinder	
2	118801775/0	1	Cylinder Gasket	
3	118801783/0	1	Cap	
4	118801817/0	2	Plate	
5	118801821/0	1	Crankcase	
6	118801982/0	1	Crankcase	
8	119216038/0	2	Bearing	
10	118801921/0	1	Seal Ring	
11	118801994/0	1	Seal Ring	
12	2135030	4	Screw	
13	123878020/0	4	Screw	
15	118801975/0	1	Piston	
16	118801797/0	1	Piston Pin	
17	118801802/0	1	Piston Ring	
18	118801807/0	1	Bearing	
19	118801886/0	1	Crankshaft	
20	118801908/0	2	Spacer	
21	118801913/0	2	Washer, Piston Pin	
22	118801989/0	1	Pad	
23	118802005/0	1	Cylinder Cover Yellow	
24	118801896/0	1	Housing	
25	123878020/0	2	Screw	
26	2135040	4	Screw	
27	118801830/0	2	Insulator	
28	118801838/0	1	Flywheed	
29	118801985/0	1	Spark Plug Cover	
30	3657050	1	Terminal	
31	118801847/0	1	Electronic Coil	
32	118801851/0	1	Earth Cable	
33	118801986/0	1	Coil-Switch Cable	
34	3210024	1	Spark Plug	
35	2132510	2	Screw	
36	118801942/0	1	Clamp	
38	2432050	1	Nut	
39	3151010	1	Flywheel Key	
40	118801776/0	1	Muffler Gasket	
41	118801869/0	1	Muffler	
42	118801906/0	1	Screw	
43	2135040	2	Screw	
44	2135180	1	Screw	
45	118801872/0	1	Starter Pulley	
47	118801912/0	2	Snap Ring	
49	118801811/0	1	Clutch Ass.Y	
50	118801918/0	2	Pin	
51	118801932/0	1	Spring	
52	118801956/0	2	Washer	
53	2135050	3	Screw	
54	2312080	2	Washer	



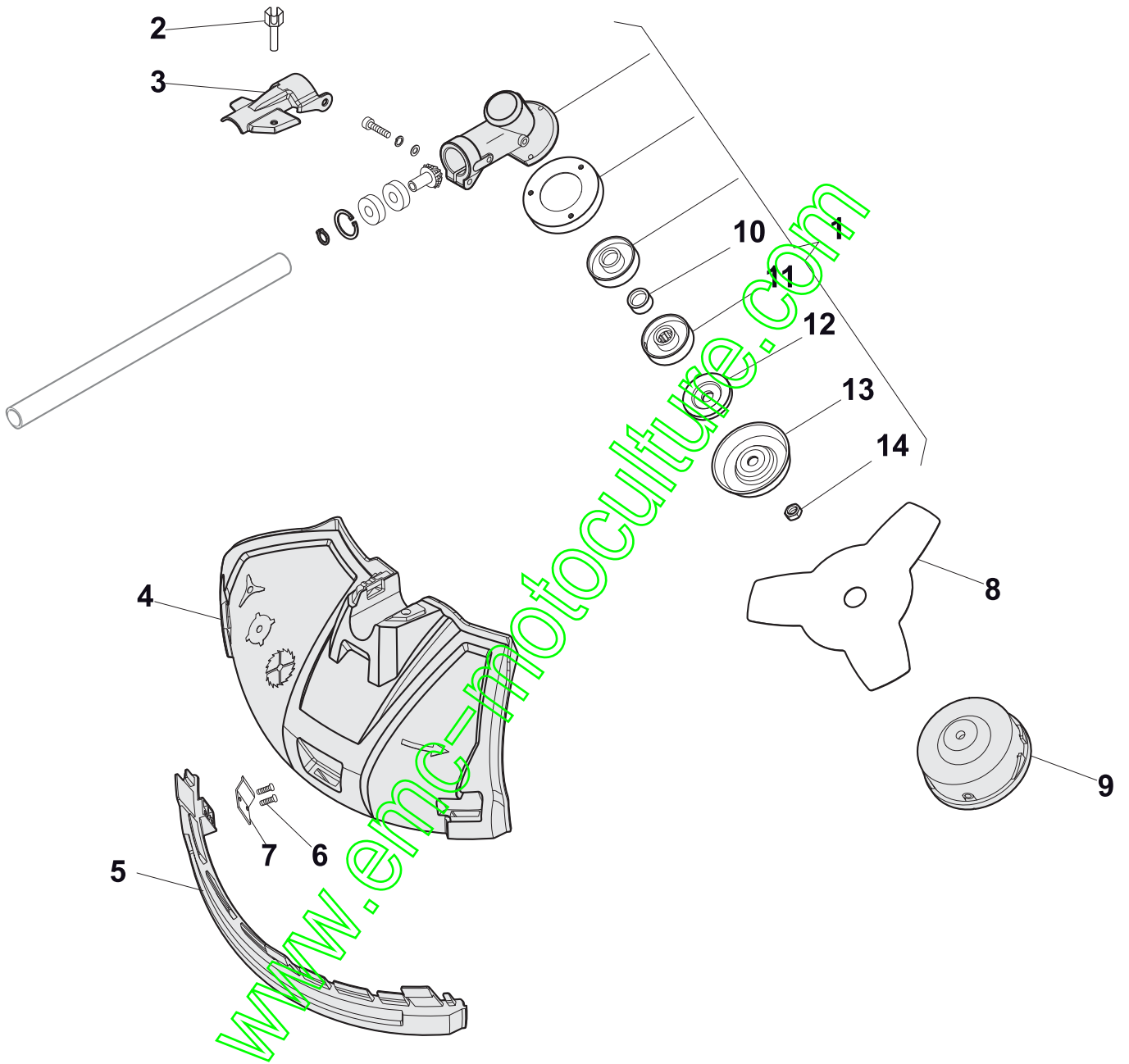
www.encyclopedie.com

SBC 635 KD				Engine parts
POS	CODE	Q.TY	DESCRIPTION	NOTES
1	118801856/0	1	Tank Support	
2	118801891/0	1	Tank	
3	2135030	3	Screw	
4	118801957/0	1	Oil Cap	
6	183520004/0	1	Intake	
7	118801926/0	1	Grommet	
9	118801950/0	1	Fuel Line	
10	118801953/0	1	Tube	
11	118801970/0	1	Cylinder Gasket	
12	118801966/0	1	Carburetor Gasket	
13	118801789/0	1	Breather Valve Ass.Y	
14	2135030	4	Screw	
15	2135260	2	Screw	
16	118801826/0	1	Carburettor	
17	118801764/0	1	Air Cleaner Base	
18	118801768/0	1	Air Filter	
19	118801784/0	1	Yellow Filter Cover	
20	118801834/0	1	Deflector	
21	118801939/0	1	Screw	
22	118801877/0	1	Starter Assy Black	
23	118801944/0	1	Screw	
24	118801865/0	1	Cam	
25	118801936/0	1	Spring	
26	118801901/0	1	Starter Pulley	
27	118801931/0	1	Spring	
28	118801859/0	1	Starter Handle	
29	2132470	4	Screw	
30	2312020	2	Washer	
31	2330020	2	Washer	

www.emc-motoculture.com



SBC 635 KD			Transmission Parts	
POS	CODE	Q.TY	DESCRIPTION	NOTES
1	118802495/0	1	Clutch drum	
2	112610800/0	1	Seeger ring	
3	119216048/0	1	Bearing	
4	112609200/0	1	Seeger ring	
5	118802492/0	1	Output block	
6	112521330/0	4	Washer	
7	112521330/0	4	Washer	
8	2132180	4	Screw	
9	118802493/0	1	Bumper	
10	118802494/0	1	Sleeve	
11	112521330/0	1	Washer	
12	112521330/0	1	Washer	
13	2132180	1	Screw	
14	2135010	1	Screw	
15	112521320/0	1	Washer	
16	112521320/0	1	Washer	
18	118802596/0	2	Wire grips	
19	118802586/0	1	Plastic Bush	
21	118802587/0	1	Harness Support	
20	118802588/0	1	Ring	
22	112760475/0	1	Screw	
23	112291000/0	1	Nut	
24	118802491/0	1	Transmission tube assy	
27	118802457/0	1	Transmission shaft	
63	2122520	1	Screw	
64	112521320/0	1	Washer	
65	112521320/0	1	Washer	
66	118802563/0	1	Left Handle	
67	118802564/0	1	Handgrip Support	
68	112291000/0	1	Nut	
69	112691900/0	1	Screw	
70	118802482/0	1	Arm	
71	118802489/0	1	Knob	
72	118802485/0	1	Handle Cover	
73	118802486/0	1	Cover, Lower	
74	118802488/0	1	Cover, Right	
75	118802487/0	1	Cover, Left	
76	112293200/0	1	Nut	
77	118802490/0	2	Gasket	
78	112760475/0	4	Screw	
79	112521320/0	4	Washer	
80	112521320/0	4	Washer	
81	118800202/0	1	Switch	
82	118802557/0	1	Handle Cover, Left Part	
83	2123110	1	Screw	
84	112521320/0	1	Washer	
85	118802558/0	1	Trigger	
86	118802559/0	1	Adjust lever	
87	118802560/0	1	Spring	
88	118802562/0	1	Spring	
89	118802561/0	1	Safety lever	
90	118802484/0	1	Conductor casing	
91	118802598/0	1	Earth cable	
92	118802483/0	1	Throttle cable	
93	118802556/0	1	Handle Cover, Right Part	
94	112735101/0	1	Screw	
95	112154330/0	1	Nut	
96	123878020/0	3	Screw	



Gear Case				
POS	CODE	Q.TY	DESCRIPTION	NOTES
1	118802460/0	1	Gear Case Assy	
2	118802579/0	1	Screw	
3	118802480/0	1	Plate	
4	118802323/0	1	Safety cover Ass.Y	
5	118802580/0	1	Splash Guard	
6	123878121/0	2	Screw	
7	118802578/0	1	Line Cutter Blade	
8	1911-9146-01	1	Blade	
9	1911-9142-01	1	Hedges Nylon Head	
10	118802467/0	1	Shaft Collar	
11	118802464/0	1	Plate	
12	118802465/0	1	Plate	
13	118802466/0	1	Cover	
14	2452090	1	Nut	

www.emc-motoculture.com

www.emc-motoculture.com