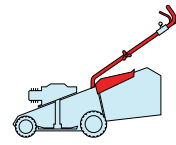
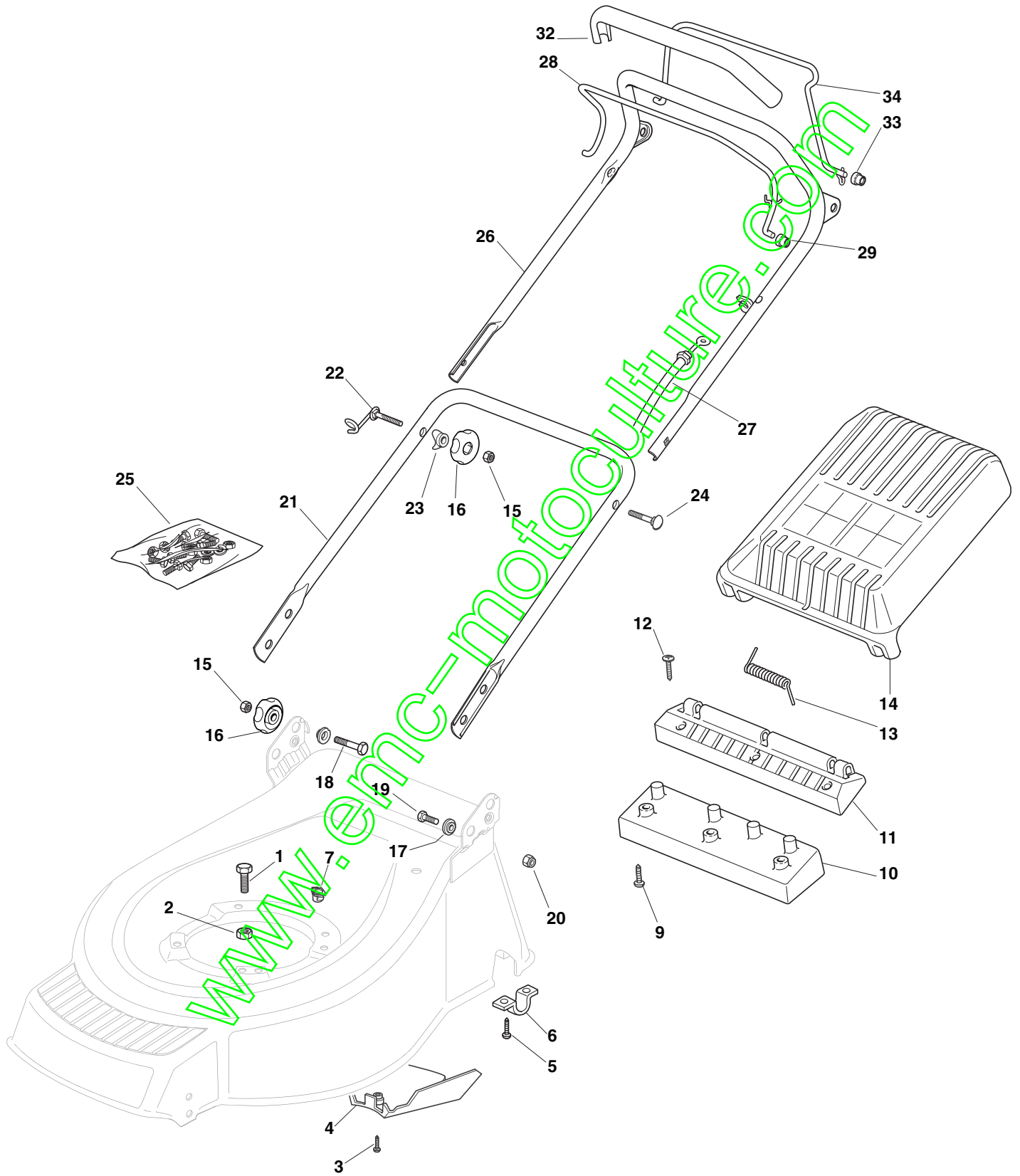


| | | | |
|------------|-------------|--------------|----------------|
| M | | ML | |
| 484 | | 534 | |
| TR | TR/E | TR 4S | TR/E 4S |



| |
|--------------|
| 2008 |
| 681.0 |
| 1 / 3 |

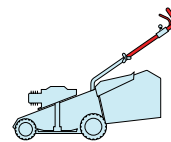


| POS. | CODE | Q.TY | DESCRIZIONE | DESCRIPTION | DESCRIPTION | BESCHREIBUNG | REMARKS |
|------|-------------|------|--------------------------|----------------------------|------------------------------|--------------------|-----------------------------|
| 1 | 12691800/0 | 0/1 | VITE | SCREW | VIS | SCHRAUBE | |
| - | 12793701/0 | 3/2 | VITE | SCREW | VIS | SCHRAUBE | |
| 2 | 12155000/0 | 0/1 | DADO | NUT | ECROU | MUTTER | |
| - | 12293201/0 | 3/2 | DADO | NUT | ECROU | MUTTER | |
| 3 | 12727791/0 | 1 | VITE | SCREW | VIS | SCHRAUBE | 484 |
| - | 12728530/0 | 1 | VITE | SCREW | VIS | SCHRAUBE | 534 |
| 4 | 22060192/0 | 1 | CARTER CINGHIA | PROTECTION, BELT | PROTECTION | SCHUTZ, RIEMEN | 484 |
| - | 22060193/0 | 1 | CARTER CINGHIA | PROTECTION, BELT | PROTECTION | SCHUTZ, RIEMEN | 534 |
| 5 | 12731350/0 | 4 | VITE | SCREW | VIS | SCHRAUBE | |
| 6 | 22545152/0 | 2 | PIASTRINA | PLATE | PLAQUETTE | PLATTE | |
| 7 | 22291150/0 | 1 | INSERTO IN GOMMA | RUBBER INSERT | INSERT DE | GUMMI EINSATZ | |
| 9 | 12731600/1 | 3 | VITE | SCREW | VIS | SCHRAUBE | |
| 10 | 22785127/0 | 1 | AGGANCIAMENTO SACCO NERO | SUPPORT | SUPPORT | HALTER | |
| 11 | 22785119/0 | 1 | FULCRO PARASASSI NERO | FULCRUM PIN | POINT D'APPUI | GELENKPUNKT | |
| 12 | 12728680/0 | 3 | VITE | SCREW | VIS | SCHRAUBE | |
| 13 | 22450430/0 | 1 | MOLLA | SPRING | RESSORT | FEDER | |
| 14 | 22600068/1 | 1 | PARASASSI NERO | STONE-GUARD, BLACK | PARE-PIERRES | PRALLBLECH | |
| 15 | 12293200/0 | 4 | DADO | NUT | ECROU | MUTTER | |
| 16 | 322399804/1 | 4 | MANOPOLINA | KNOB | POIGNÉE | GRIFF | |
| 17 | 22041955/0 | 4 | BUSSOLA | BUSH | DOUILLE | BUCHSE | |
| 18 | 12793700/0 | 2 | VITE | SCREW | VIS | SCHRAUBE | |
| 19 | 12792610/0 | 2 | VITE | SCREW | VIS | SCHRAUBE | |
| 20 | 12155000/0 | 2 | DADO | NUT | ECROU | MUTTER | |
| 21 | 81006512/0 | 1 | MANICO, PARTE INF | HANDLE, LOWER PART | MANCHERON, PARTIE INFERIEURE | HOLM, UNTERTEIL | |
| 22 | 81003801/1 | 1 | MOLLA GUIDA | SPRING | RESSORT | FEDER | |
| 23 | 22680006/1 | 2 | ROSETTA | WASHER | RONDELLE | SCHEIBE | |
| 24 | 12819201/0 | 1 | VITE | SCREW | VIS | SCHRAUBE | |
| 25 | 81008637/1 | 1 | DOTAZIONE VITERIA | OUTFIT, SCREWS | DOTATION VISSERIE | SATZ, SCHRAUBEN | |
| 26 | 81007024/0 | 1 | MANICO, PARTE SUP | HANDLE, UPPER PART | MANCHERON, PARTIE SUPERIEURE | HOLM, OBERTEIL | |
| 27 | 81000611/0 | 1 | CAVO FRENO MOTORE | CABLE, THREAD ENGINE BRAKE | CABLE FREIN MOTEUR | KABEL, MOTORBREMSE | (GGP 150CC) |
| - | 81000625/0 | 1 | CAVO FRENO MOTORE | CABLE, THREAD ENGINE BRAKE | CABLE FREIN MOTEUR | KABEL, MOTORBREMSE | 484 (B&S 450-500 SERIES) |
| - | 81000631/0 | 1 | CAVO FRENO MOTORE | CABLE, THREAD ENGINE BRAKE | CABLE FREIN MOTEUR | KABEL, MOTORBREMSE | 484 (B&S 675 SERIES ES) |
| - | 81000757/0 | 1 | CAVO FRENO MOTORE | CABLE, THREAD ENGINE BRAKE | CABLE FREIN MOTEUR | KABEL, MOTORBREMSE | 484 (B&S 675 SERIES) |
| - | 81000757/0 | 1 | CAVO FRENO MOTORE | CABLE, THREAD ENGINE BRAKE | CABLE FREIN MOTEUR | KABEL, MOTORBREMSE | 484 (GGP 160CC) |
| - | 81000642/1 | 1 | CAVO FRENO MOTORE | CABLE, THREAD ENGINE BRAKE | CABLE FREIN MOTEUR | KABEL, MOTORBREMSE | 484 (GGP 200CC) |
| - | 81000753/0 | 1 | CAVO FRENO MOTORE | CABLE, THREAD ENGINE BRAKE | CABLE FREIN MOTEUR | KABEL, MOTORBREMSE | 484 (GGP 200CC ES) |
| - | 81000641/0 | 1 | CAVO FRENO MOTORE | CABLE, THREAD ENGINE BRAKE | CABLE FREIN MOTEUR | KABEL, MOTORBREMSE | 484 (HONDA GCV 135/160/190) |
| - | 81000643/0 | 1 | CAVO FRENO MOTORE | CABLE, THREAD ENGINE BRAKE | CABLE FREIN MOTEUR | KABEL, MOTORBREMSE | 534 (B&S 450-500 SERIES) |
| - | 81000642/1 | 1 | CAVO FRENO MOTORE | CABLE, THREAD ENGINE BRAKE | CABLE FREIN MOTEUR | KABEL, MOTORBREMSE | 534 (B&S 675 SERIES ES) |
| - | 81000756/0 | 1 | CAVO FRENO MOTORE | CABLE, THREAD ENGINE BRAKE | CABLE FREIN MOTEUR | KABEL, MOTORBREMSE | 534 (B&S 675 SERIES) |
| - | 81000756/0 | 1 | CAVO FRENO MOTORE | CABLE, THREAD ENGINE BRAKE | CABLE FREIN MOTEUR | KABEL, MOTORBREMSE | 534 (GGP 160CC) |
| - | 81000616/1 | 1 | CAVO FRENO MOTORE | CABLE, THREAD ENGINE BRAKE | CABLE FREIN MOTEUR | KABEL, MOTORBREMSE | 534 (GGP 200CC) |
| - | 81000640/0 | 1 | CAVO FRENO MOTORE | CABLE, THREAD ENGINE BRAKE | CABLE FREIN MOTEUR | KABEL, MOTORBREMSE | 534 (HONDA GCV 135/160/190) |

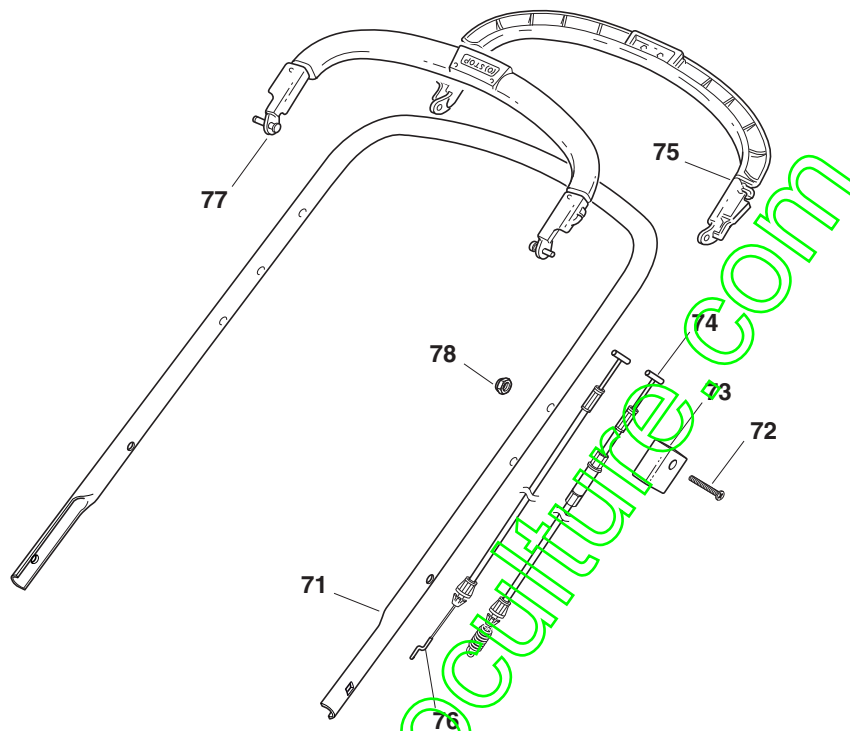
| POS. | CODE | Q.Q.TY | DESCRIZIONE | DESCRIPTION | DESCRIPTION | BESCHREIBUNG | REMARKS |
|------|------------|--------|----------------------------|---------------------|---------------------|--------------------|---------|
| 28 | 81003291/3 | 1 | LEVA FRENO MOTORE | LEVER, ENGINE BRAKE | LEVIER FREIN MOTEUR | HEBEL, MOTORBREMSE | |
| 29 | 22041966/0 | 2 | BUSSOLA | BUSH | DOUILLE | BUCHSE | |
| 32 | 22291050/0 | 1 | IMPUGNATURA MANICO NERA | HANDGRIP BLACK | POIGNÉE NOIRE | HANDGRIFF SCHWARZ | |
| 33 | 22041965/1 | 2 | BUSSOLA | BUSH | DOUILLE | BUCHSE | |
| 34 | 81003288/1 | 1 | LEVA TRAZIONE | LEVER, DRIVING | LEVIER TRACTION | HEBEL, ANTRIEB | |

www.emc-motoculture.com

| | | | |
|------------|-------------|--------------|----------------|
| M | | ML | |
| 484 | | 534 | |
| TR | TR/E | TR 4S | TR/E 4S |

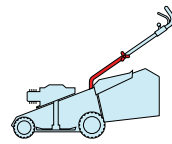


| |
|---------------|
| 2008 |
| 618d.0 |
| 1 / 1 |

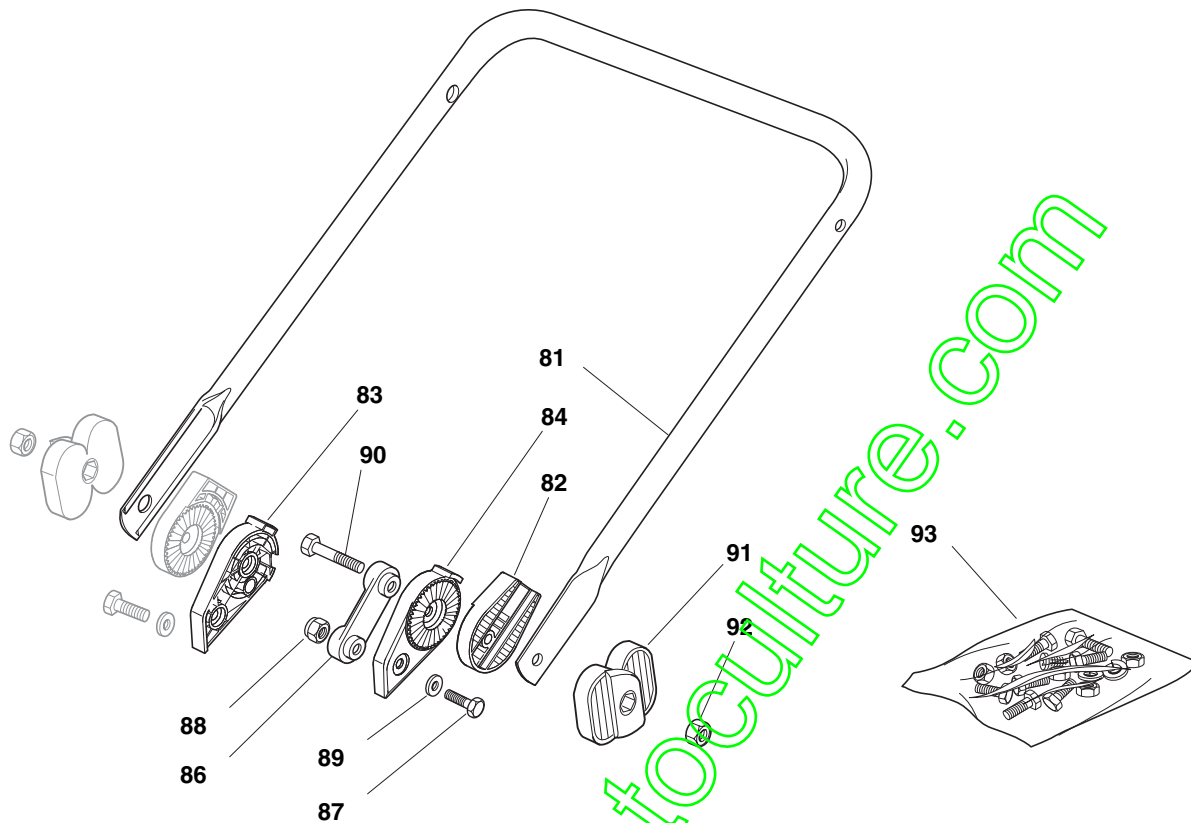


| POS. | CODE | Q.TY | DESCRIZIONE | DESCRIPTION | DESCRIPTION | BESCHREIBUNG | REMARKS |
|------|-------------|------|-------------------------|----------------------------|------------------------|--------------------|-----------------------------|
| 71 | 81006979/2 | 1 | MANICO, PARTE SUP | HANDLE, UPPER PART | MANCHERON, PARTIE SUP. | HOLM, OBERTEIL | |
| 72 | 12689500/0 | 1 | VITE | SCREW | VIS | SCHRAUBE | |
| 73 | 22551640/0 | 1 | PIASTRINA | PLATE | PLAQUETTE | PLÄTTCHEN | |
| 74 | 381000709/2 | 1 | CAVO COMANDO TRAZIONE | CABLE, REAR DRIVE | CÂBLE, COMM. TRACTION | KABEL, ANTRIEB | |
| 75 | 81003297/1 | 1 | LEVA TRAZIONE | DRIVING LEVER | LEVIER TRACTION | ANTRIEBHEBEL | |
| 76 | 81000657/0 | 1 | CAVO FRENO MOTORE BRAKE | CABLE, THREAD ENGINE BRAKE | CABLE FREIN MOTEUR | KABEL, MOTORBREMSE | (GGP 160CC) |
| - | 81000708/0 | 1 | CAVO FRENO MOTORE BRAKE | CABLE, THREAD ENGINE BRAKE | CABLE FREIN MOTEUR | KABEL, MOTORBREMSE | 484 (B&S 450-500 SERIES) |
| - | 81000708/0 | 1 | CAVO FRENO MOTORE BRAKE | CABLE, THREAD ENGINE BRAKE | CABLE FREIN MOTEUR | KABEL, MOTORBREMSE | 484 (HONDA GCV 135/160/190) |
| - | 81000708/0 | 1 | CAVO FRENO MOTORE BRAKE | CABLE, THREAD ENGINE BRAKE | CABLE FREIN MOTEUR | KABEL, MOTORBREMSE | 534 (B&S 450-500 SERIES) |
| - | 81000708/0 | 1 | CAVO FRENO MOTORE BRAKE | CABLE, THREAD ENGINE BRAKE | CABLE FREIN MOTEUR | KABEL, MOTORBREMSE | 534 (B&S 675 SERIES ES) |
| - | 81000720/1 | 1 | CAVO FRENO MOTORE BRAKE | CABLE, THREAD ENGINE BRAKE | CABLE FREIN MOTEUR | KABEL, MOTORBREMSE | (GGP 150CC) |
| - | 81000731/1 | 1 | CAVO FRENO MOTORE BRAKE | CABLE, THREAD ENGINE BRAKE | CABLE FREIN MOTEUR | KABEL, MOTORBREMSE | (GGP 200CC) |
| - | 81000731/1 | 1 | CAVO FRENO MOTORE BRAKE | CABLE, THREAD ENGINE BRAKE | CABLE FREIN MOTEUR | KABEL, MOTORBREMSE | 534 (HONDA GCV 135/160/190) |
| - | 181000755/0 | 1 | CAVO FRENO MOTORE BRAKE | CABLE, THREAD ENGINE BRAKE | CABLE FREIN MOTEUR | KABEL, MOTORBREMSE | 484 (B&S 675 SERIES) |
| - | 181000755/0 | 1 | CAVO FRENO MOTORE BRAKE | CABLE, THREAD ENGINE BRAKE | CABLE FREIN MOTEUR | KABEL, MOTORBREMSE | 534 (B&S 675 SERIES) |
| 77 | 81003298/1 | 1 | LEVA FRENO MOTORE | LEVER, ENGINE BRAKE | LEVIER FREIN MOTEUR | HEBEL, MOTORBREMSE | |
| 78 | 12154510/0 | 1 | DADO | NUT | ECROU | MUTTER | |

| | | | |
|------------|-------------|--------------|----------------|
| M | | ML | |
| 484 | | 534 | |
| TR | TR/E | TR 4S | TR/E 4S |

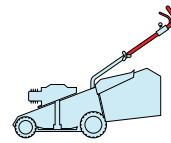


| |
|---------------|
| 2008 |
| 681a.0 |
| 1 / 1 |

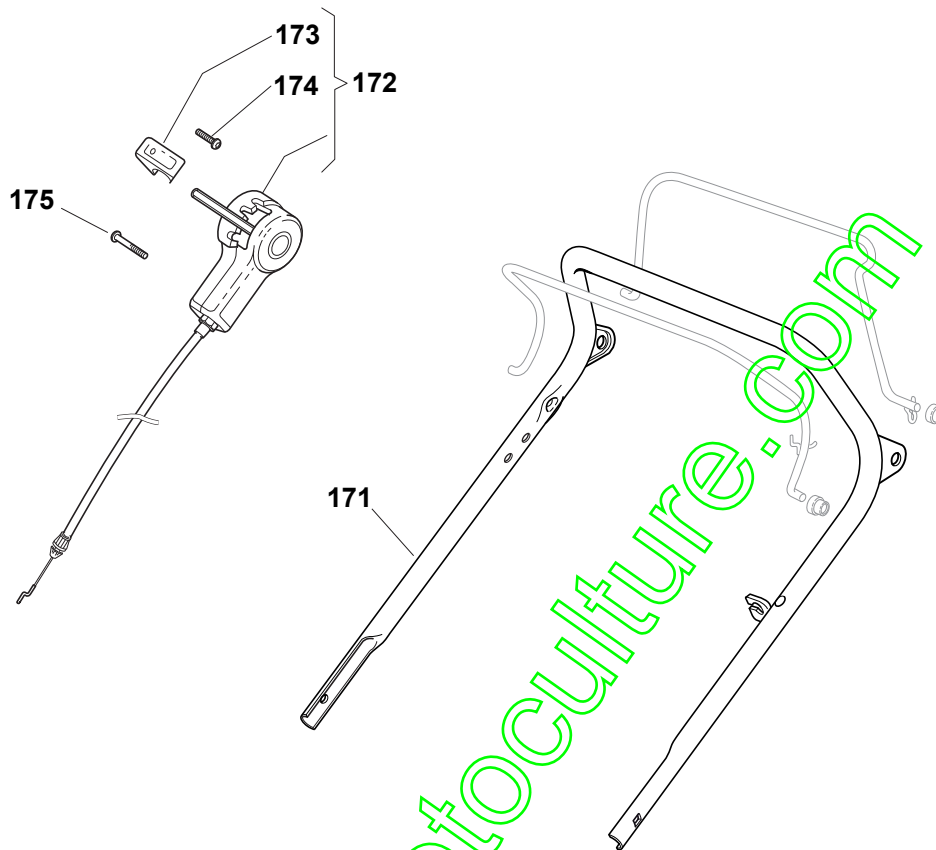


| POS. | CODE | Q.TY | DESCRIZIONE | DESCRIPTION | DESCRIPTION | BESCHREIBUNG | REMARKS |
|------|------------|------|---------------------|---------------------|------------------------------|------------------|---------|
| 81 | 81006532/0 | 1 | MANICO, PARTE INF | HANDLE, LOWER PART | MANCHERON, PARTIE INFERIEURE | HOLM, UNTERTEIL | |
| 82 | 22785081/1 | 2 | SUPPORTO ESTERNO | SUPPORT, EXTERNAL | SUPPORT EXTERNE | HALTER, AUSSERE | |
| 83 | 22785082/0 | 1 | SUPPORTO INTERNO DX | SUPPORT, R INTERNAL | SUPPORT INTERNE D | HALTER, INNERE R | |
| 84 | 22785083/1 | 1 | SUPPORTO INTERNO SX | SUPPORT, L INTERNAL | SUPPORT INTERNE G | HALTER, INNERE L | |
| 86 | 22551575/0 | 2 | PIASTRINA INTERNA | PLATE, INSIDE | PLAQUETTE INTERNE | PLATTE, INNERE | |
| 87 | 12793701/0 | 2 | VITE | SCREW | VIS | SCHRAUBE | |
| 88 | 12155000/0 | 2 | DADO | NUT | ECROU | MUTTER | |
| 89 | 12521350/0 | 2 | ROSETTA | WASHER | RONDELLE | SCHEIBE | |
| 90 | 12691810/0 | 2 | VITE | SCREW | VIS | SCHRAUBE | |
| 91 | 22399803/0 | 2 | MANOPOLINA | KNOB | POIGNÉE | GRIFF | |
| 92 | 12293202/0 | 2 | DADO | NUT | ECROU | MUTTER | |
| 93 | 81008623/1 | 1 | DOTAZIONE VITERIA | OUTFIT, SCREWS | DOTATION VISSERIE | SATZ, SCHRAUBEN | |

| | | | |
|------------|-------------|--------------|----------------|
| M | | ML | |
| 484 | | 534 | |
| TR | TR/E | TR 4S | TR/E 4S |



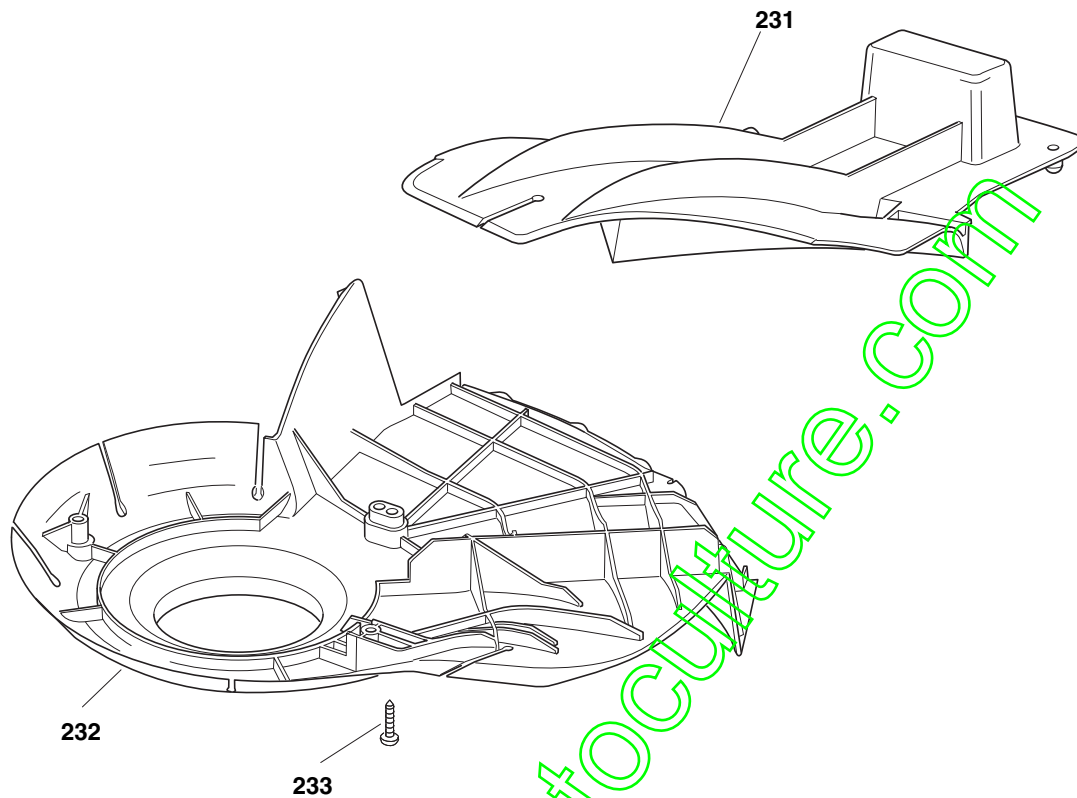
| |
|---------------|
| 2008 |
| 681b.0 |
| 1 / 1 |



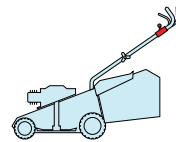
| POS. | CODE | Q.TY | DESCRIZIONE | DESCRIPTION | DESCRIPTION | BESCHREIBUNG | REMARKS |
|------|------------|------|--------------------|----------------------------|----------------------------------|----------------------|---------|
| 171 | 81006863/0 | 1 | MANICO, PARTE SUP | HANDLE, UPPER PART | MANCHERON, PARTIE SUPERIEURE | HOLM, OBERTEIL | |
| 172 | 81007109/0 | 1 | CAVO COMANDO MARCE | CABLE, SPEED DRIVE CONTROL | CABLE, COMM. CHANGE-MENT VITESSE | KABEL, GÄNGESCHALTUN | 484 4S |
| - | 81007110/0 | 1 | CAVO COMANDO MARCE | CABLE, SPEED DRIVE CONTROL | CABLE, COMM. CHANGE-MENT VITESSE | KABEL, GÄNGESCHALTUN | 534 4S |
| 173 | 22399809/0 | 1 | MANOPOLINA | KNOB | POIGNÉE | GRIFF | 4S |
| 174 | 12728300/0 | 1 | VITE | SCREW | VIS | SCHRAUBE | 4S |
| 175 | 12728702/0 | 2 | VITE | SCREW | VIS | SCHRAUBE | 4S |

| | | | |
|------------|-------------|--------------|----------------|
| M | | ML | |
| 484 | | 534 | |
| TR | TR/E | TR 4S | TR/E 4S |

| |
|---------------|
| 2008 |
| 681c.0 |
| 1 / 1 |

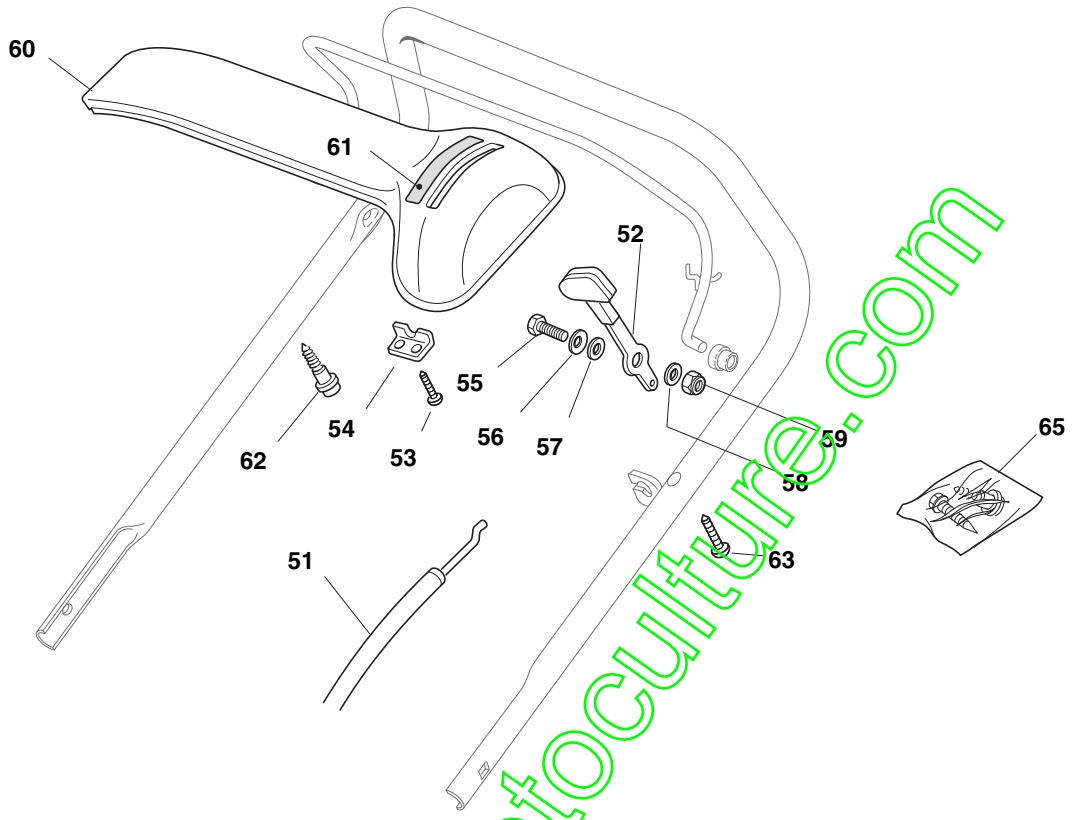


| POS. | CODE | Q.TY | DESCRIZIONE | DESCRIPTION | DESCRIPTION | BESCHREIBUNG | REMARKS |
|------|-------------|------|-------------|-------------|-------------|--------------|---------|
| 231 | 22140223/0 | 1 | DEFLETTORE | DEFLECTOR | DEFLECTEUR | DEFLEKTOR | 484 |
| - | 22140222/0 | 1 | DEFLETTORE | DEFLECTOR | DEFLECTEUR | DEFLEKTOR | 534 |
| 232 | 22060198/0 | 1 | CARTER | PROTECTION | PROTECTION | SCHUTZ | 484 |
| - | 322060197/2 | 1 | CARTER | PROTECTION | PROTECTION | SCHUTZ | 534 |
| 233 | 12728530/0 | 3 | VITE | SCREW | VIS | SCHRAUBE | |



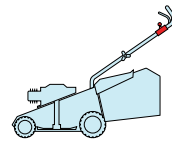
| | | | |
|------------|-------------|--------------|----------------|
| M | | ML | |
| 484 | | 534 | |
| TR | TR/E | TR 4S | TR/E 4S |

| |
|--------------|
| 2008 |
| 682.0 |
| 1 / 1 |

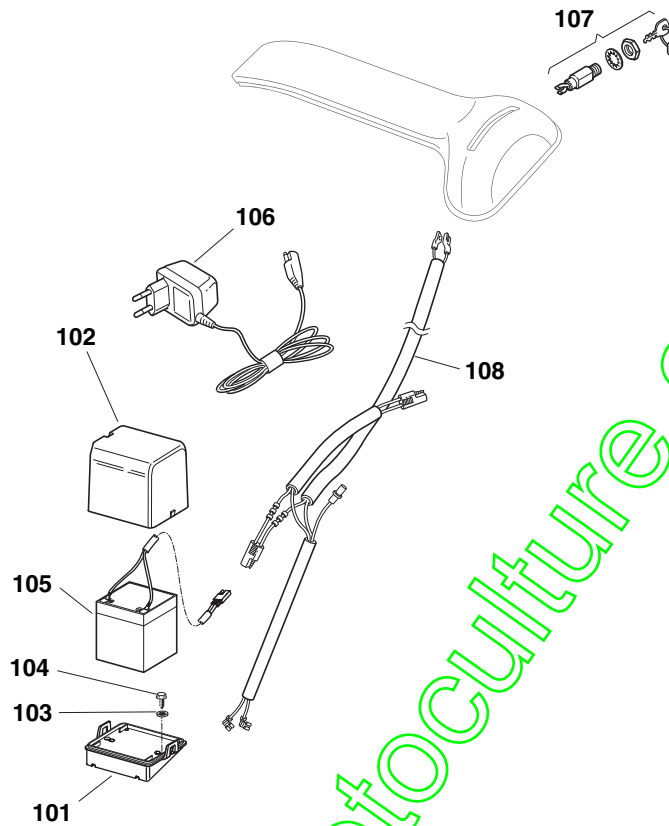


| POS. | CODE | Q.TY | DESCRIZIONE | DESCRIPTION | DESCRIPTION | BESCHREIBUNG | REMARKS |
|------|-------------|------|-----------------------------|---------------------------|----------------------------|--------------------------|---|
| 51 | 81007160/0 | 1 | CAVO ACCELERATORE | THROTTLE CABLE | CABLE, ACCELERATEUR | GASHEBEL KABEL | |
| 52 | 81007280/2 | 1 | LEVA, ACCELERATORE | LEVER, THROTTLE | LEVIER, | HEBEL, BESHLEUNIGER | (B&S 625/650/675 SERIES - HONDA - GGP 160/200 CC) |
| - | 81007221/0 | 1 | LEVA, ACCELERATORE | LEVER, THROTTLE | LEVIER, | HEBEL, BESHLEUNIGER | (B&S 450/500 SERIES - GGP 150 CC) |
| 53 | 12735105/0 | 2 | VITE | SCREW | VIS | SCHRAUBE | |
| 54 | 22981467/0 | 1 | PIASTRINA | PLATE | PLAQUETTE | PLATTE | |
| 55 | 12791500/0 | 1 | VITE | SCREW | VIS | SCHRAUBE | |
| 56 | 12530060/0 | 1 | ROSETTA ELASTICA | ELASTIC WASHER | RONDELLE ELASTIQUE | ELASTISCHE SCHEIBE | |
| 57 | 12523040/0 | 1 | ROSETTA | WASHER | RONDELLE | SCHEIBE | |
| 58 | 12523040/0 | 1 | ROSETTA | WASHER | RONDELLE | SCHEIBE | |
| 59 | 12154510/0 | 1 | DADO | NUT | ECROU | MUTTER | |
| 60 | 22120152/0 | 1 | CRUSCOTTO GIALLO | DASH BOARD YELLOW | CONSOLE JAUNE | KONSOLE GELBE | |
| - | 22120154/0 | 1 | CRUSCOTTO ROSSO | DASH BOARD RED | CONSOLE ROUGE | KONSOLE ROTE | |
| - | 22120158/0 | 1 | CRUSCOTTO NERO | DASH BOARD BLACK | CONSOLE NOIRE | KONSOLE SCHWARZE | |
| 61 | 114356744/1 | 1 | ETICHETTA | LABEL | ETIQUETTE | ETIKETTE | (B&S) |
| - | 114356743/1 | 1 | ETICHETTA | LABEL | ETIQUETTE | ETIKETTE | (HONDA - GGP ENGINE) |
| 62 | 22943006/0 | 1 | VITE | SCREW | VIS | SCHRAUBE | |
| 63 | 12728460/0 | 1 | VITE | SCREW | VIS | SCHRAUBE | |
| 65 | 81008609/0 | 1 | DOTAZIONE VITERIA CRUSCOTTO | OUTFIT, DASH-BOARD SCREWS | DOTATION VISSERIE CONSOLLE | SATZ, KONSOLLE SCHRAUBEN | |

| | | | |
|------------|-------------|--------------|----------------|
| M | | ML | |
| 484 | | 534 | |
| TR | TR/E | TR 4S | TR/E 4S |

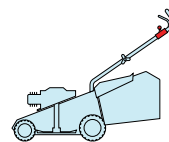


| |
|---------------|
| 2008 |
| 682a.0 |
| 1 / 1 |

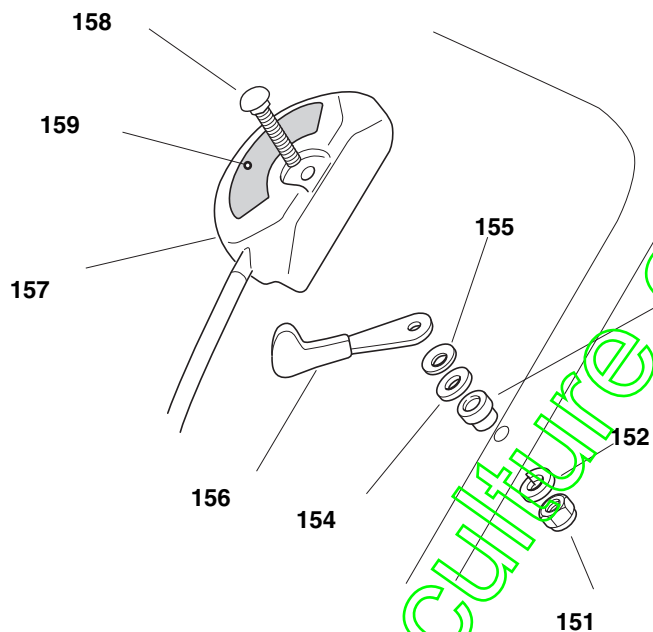


| POS. | CODE | Q.TY | DESCRIZIONE | DESCRIPTION | DESCRIPTION | BESCHREIBUNG | REMARKS |
|------|-------------|------|-------------------|------------------|------------------|------------------|--------------------|
| 101 | 22785123/0 | 1 | SUPPORTO BATTERIA | SUPPORT, BATTERY | SUPPORT BATTERIE | HALTER, BATTERIE | |
| 102 | 22109530/0 | 1 | COPERCHIO | COVER | COUVERCLE | DECKEL | |
| 103 | 12521310/0 | 2 | ROSETTA | WASHER | RONDELLE | SCHEIBE | |
| 104 | 12731590/0 | 2 | VITE | SCREW | VIS | SCHRAUBE | |
| 105 | 18120052/0 | 1 | BATTERIA | BATTERY | BATTERIE | BATTERIE | |
| 106 | 18204120/0 | 1 | CARICA BATTERIA | BATTERY CHARGER | CHARGEUR DE | LADGERÄT | |
| - | 18204121/0 | 1 | CARICA BATTERIA | BATTERY CHARGER | CHARGEUR DE | LADGERÄT | (UK) |
| 107 | 18450050/0 | 1 | INTERRUTTORE | SWITCH | INTERRUPTEUR | SCHALTER | |
| 108 | 118204192/3 | 1 | CAVO AVVIAMENTO | CABLE, START | CABLE DÉMARRAGE | KABEL, START | (B&S - GGP ENGINE) |
| - | 18204198/0 | 1 | CAVO AVVIAMENTO | CABLE, START | CABLE DÉMARRAGE | KABEL, START | (HONDA) |

| | | | |
|------------|-------------|--------------|----------------|
| M | | ML | |
| 484 | | 534 | |
| TR | TR/E | TR 4S | TR/E 4S |



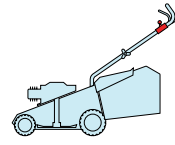
| |
|---------------|
| 2008 |
| 682b.0 |
| 1 / 1 |



| POS. | CODE | Q.TY | DESCRIZIONE | DESCRIPTION | DESCRIPTION | BESCHREIBUNG | REMARKS |
|------|------------|------|--------------------|-----------------|----------------------|---------------------|---|
| 151 | 12291000/0 | 1 | DADO | NUT | ECROU | MUTTER | . |
| 152 | 12581500/0 | 1 | GROWER | GROWER | GROWER | FEDERRING | . |
| 153 | 22171005/0 | 1 | DISTANZIALE | SPACER | ENTRETOISE | DISTANZRING | . |
| 154 | 12521360/0 | 1 | ROSETTA | WASHER | RONDELLE | SCHEIBE | . |
| 155 | 12508100/0 | 1 | ROSETTA ELASTICA | SPRING WASHER | RONDELLE ELASTIQUE | ELASTISCHE SCHEIBE | . |
| 156 | 81007279/1 | 1 | LEVA, ACCELERATORE | LEVER, THROTTLE | LEVIER, ACCELERATEUR | HEBEL, BESHLEUNIGER | (B&S 625/650/675 SERIES - HONDA - GGP 160/200 CC) |
| - | 81007220/0 | 1 | LEVA, ACCELERATORE | LEVER, THROTTLE | LEVIER, ACCELERATEUR | HEBEL, BESHLEUNIGER | (B&S 450/500 SERIES - GGP 150 CC) |
| 157 | 81007080/0 | 1 | CAVO ACCELERATORE | THROTTLE CABLE | CABLE, ACCELERATEUR | GASHEBEL KABEL | . |
| 158 | 12815000/0 | 1 | VITE | SCREW | VIS | SCHRAUBE | . |
| 159 | 14356703/0 | 1 | ETICHETTA | LABEL | ETIQUETTE | ETIKETTE | (B&S) |
| - | 14356702/0 | 1 | ETICHETTA | LABEL | ETIQUETTE | ETIKETTE | (GGP ENGINE - HONDA) |

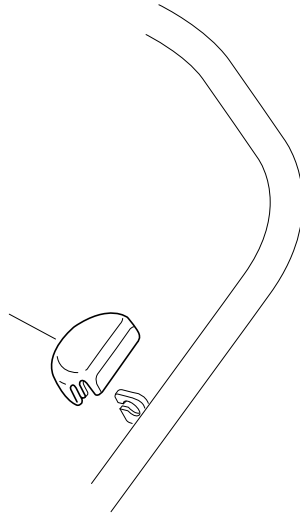
TABLES

| | | | |
|------------|-------------|--------------|----------------|
| M | | ML | |
| 484 | | 534 | |
| TR | TR/E | TR 4S | TR/E 4S |



| |
|---------------|
| 2008 |
| 682c.0 |
| 1 / 1 |

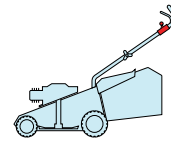
201



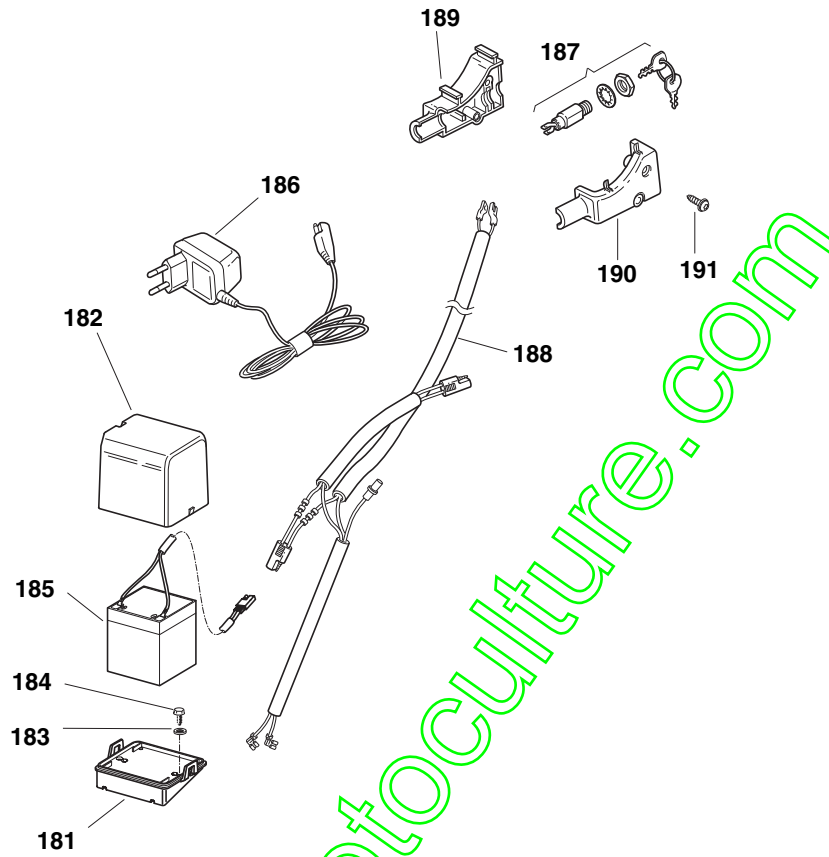
| POS. | CODE | Q.TY | DESCRIZIONE | DESCRIPTION | DESCRIPTION | BESCHREIBUNG | REMARKS |
|------|------------|------|-------------|-------------|-------------|--------------|---------|
| 201 | 22601000/0 | 1 | PROTEZIONE | PROTECTION | PROTECTION | SCHUTZ | |

www.emc-motoculture.com

| | | | |
|-----|------|-------|---------|
| M | | ML | |
| 484 | | 534 | |
| TR | TR/E | TR 4S | TR/E 4S |

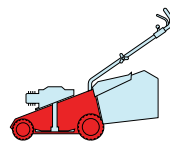


| |
|--------|
| 2008 |
| 682d.0 |
| 1 / 1 |

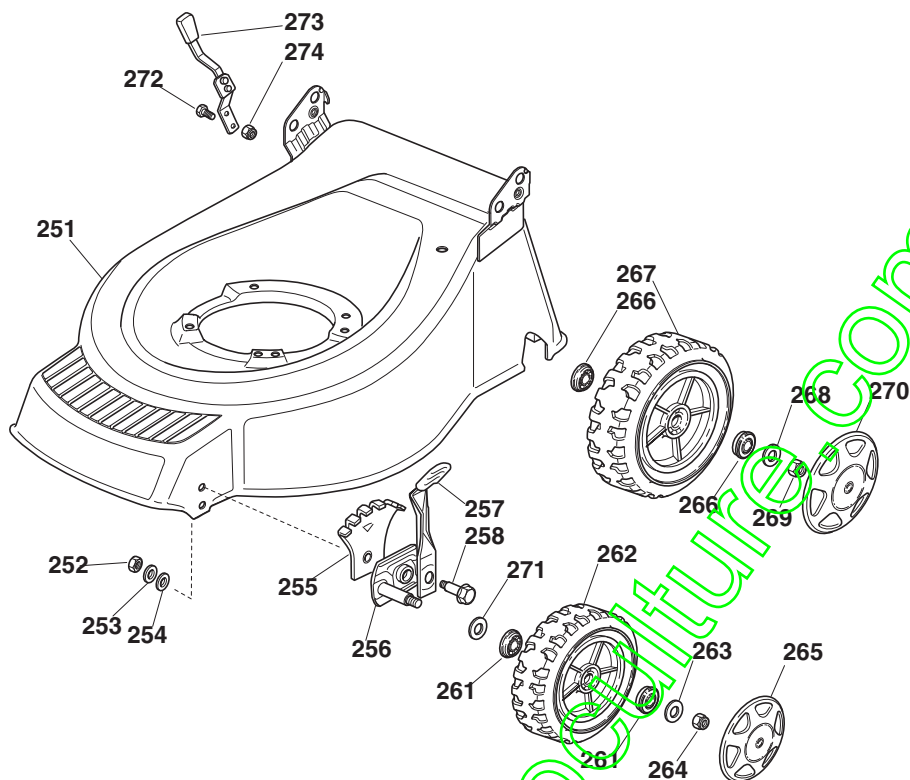


| POS. | CODE | Q.TY | DESCRIZIONE | DESCRIPTION | DESCRIPTION | BESCHREIBUNG | REMARKS |
|------|-------------|------|-------------------|------------------|------------------|------------------|-----------------------|
| 181 | 22785123/0 | 1 | SUPPORTO BATTERIA | SUPPORT, BATTERY | SUPPORT BATTERIE | HALTER, BATTERIE | 4S |
| 182 | 22109530/0 | 1 | COPERCHIO | COVER | COUVERCLE | DECKEL | 4S |
| 183 | 12521310/0 | 2 | ROSETTA | WASHER | RONDELLE | SCHEIBE | S4 |
| 184 | 12731590/0 | 2 | VITE | SCREW | VIS | SCHRAUBE | 4S |
| 185 | 18120052/0 | 1 | BATTERIA | BATTERY | BATTERIE | BATTERIE | 4S |
| 186 | 18204120/0 | 1 | CARICA BATTERIA | BATTERY CHARGER | CHARGEUR DE | LADGERÄT | 4S |
| 186 | 18204121/0 | 1 | CARICA BATTERIA | BATTERY CHARGER | CHARGEUR DE | LADGERÄT | 4S (UK) |
| 187 | 18450050/0 | 1 | INTERRUTTORE | SWITCH | INTERRUPTEUR | SCHALTER | 4S |
| 188 | 118204192/3 | 1 | CAVO AVVIAMENTO | CABLE, START | CABLE DÉMARRAGE | KABEL, START | 4S (B&S - GGP ENGINE) |
| - | 18204198/0 | 1 | CAVO AVVIAMENTO | CABLE, START | CABLE DÉMARRAGE | KABEL, START | 4S (HONDA) |
| 189 | 22722804/0 | 1 | PROTEZIONE DX | R PROTECTION | PROTECTION D | RECHTE SCHUTZ | 4S |
| 190 | 22722805/0 | 1 | PROTEZIONE SX | L PROTECTION | PROTECTION G | LINKE SCHUTZ | 4S |
| 191 | 12728300/0 | 1 | VITE | SCREW | VIS | SCHRAUBE | 4S |

| | | | |
|-----|------|-------|---------|
| M | | ML | |
| 484 | | 534 | |
| TR | TR/E | TR 4S | TR/E 4S |

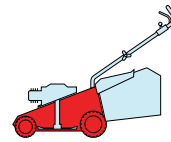


| |
|-------|
| 2008 |
| 683.0 |
| 1 / 1 |

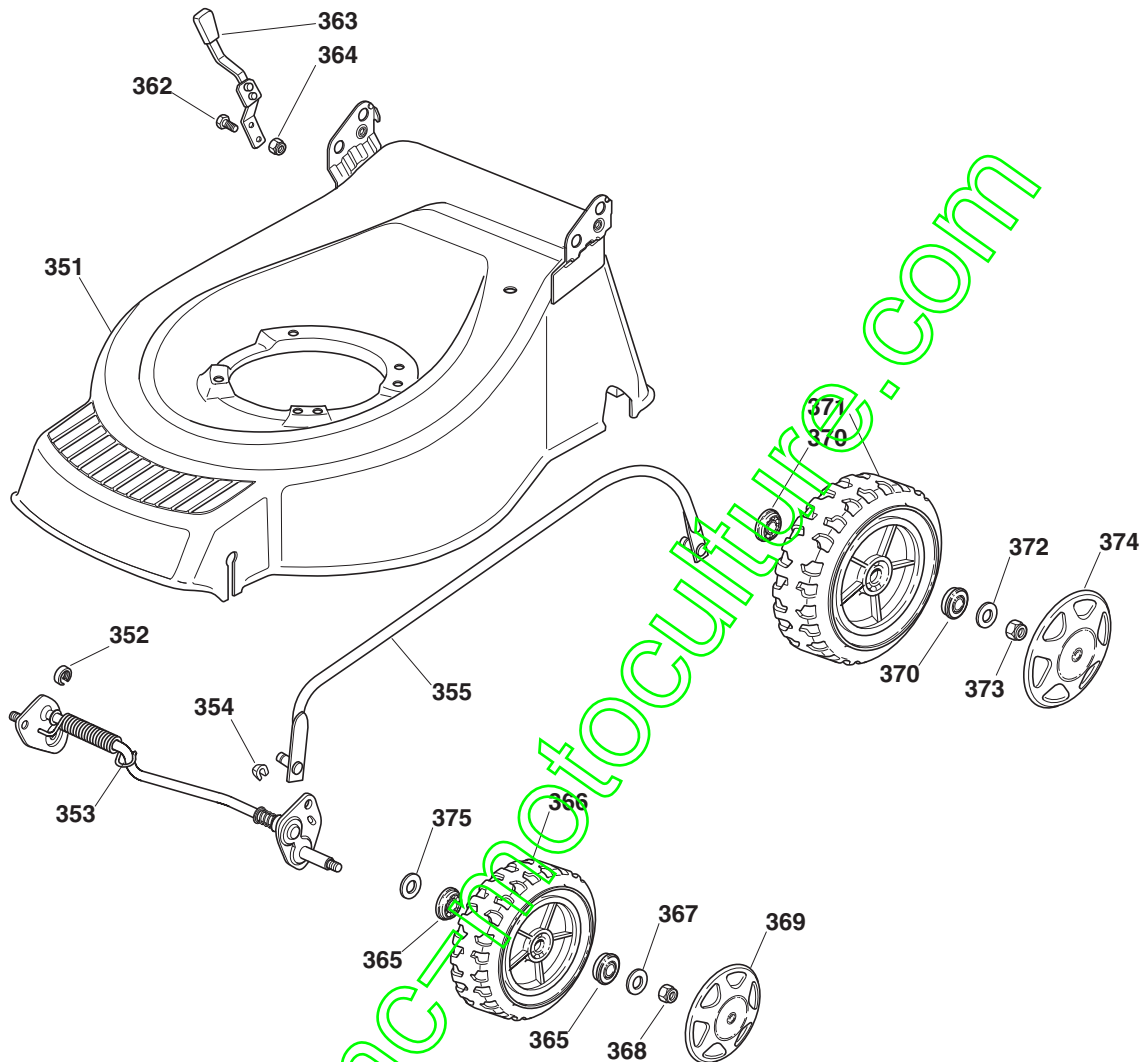


| POS. | CODE | Q.TY | DESCRIZIONE | DESCRIPTION | DESCRIPTION | BESCHREIBUNG | REMARKS |
|------|------------|------|-----------------------------|---------------------------|-------------------------|-------------------------|-------------------|
| 251 | 81002974/0 | 1 | CHASSIS GIALLO | DECK YELLOW | CHASSIS JAUNE | GEHÄUSE GELB | 484 |
| - | 81002912/0 | 1 | CHASSIS GIALLO | DECK YELLOW | CHÂSSIS JAUNE | GEHÄUSE GELB | 534 |
| 252 | 12293200/0 | 2 | DADO | NUT | ECROU | MUTTER | |
| 253 | 12583500/0 | 2 | GROWER | GROWER | GROWER | FEDERRING | |
| 254 | 12523070/0 | 2 | ROSETTA | WASHER | RONDELLE | SCHEIBE | |
| 255 | 22735547/0 | 2 | SETTORE REGOLAZIONE ALTEZZA | SECTOR, HEIGHT ADJUSTMENT | SECTEUR REGLAGE HAUTEUR | SEKTOR, HÖHEVERSTELLUNG | |
| 256 | 81005082/0 | 2 | SUPPORTO RUOTA | SUPPORT, WHEEL | SUPPORT ROUE | HALTER, RAD | |
| 257 | 81003285/1 | 2 | LEVA REGOLAZIONE ALTEZZA | LEVER, HEIGHT ADJUSTMENT | LEVIER, REGLAGE HAUTEUR | HEBEL, HÖHEVERSTELLUNG | |
| 258 | 22519811/0 | 2 | PERNO | PIN | PIVOT | BOLZEN | |
| 261 | 22122200/0 | 4 | CUSCINETTO | BEARING | COUSSINET | LAGER | |
| 262 | 81007351/0 | 2 | RUOTA SCOLPITA Ø 170 | WHEEL, KNOBBLY Ø 170 | ROUE SCULPTEE Ø 170 | RAD M. STOLLENPR. Ø 170 | |
| 263 | 12521350/0 | 2 | ROSETTA | WASHER | RONDELLE | SCHEIBE | |
| 264 | 12155000/0 | 2 | DADO | NUT | ECROU | MUTTER | |
| 265 | - | 2 | COPRIMOZZO | HUB CAP | COUVRE-MOYEU | RADKAPPE | (SEE ENCLOSURE 1) |
| 266 | 22122200/0 | 4 | CUSCINETTO | BEARING | COUSSINET | LAGER | |
| 267 | 81007343/0 | 2 | RUOTA SCOLPITA Ø 210 | WHEEL, KNOBBLY Ø 210 | ROUE SCULPTEE Ø 210 | RAD M. STOLLENPR. Ø 210 | |
| 268 | 12369500/0 | 2 | DISCO ELASTICO | ELASTIC WASHER | DISQUE ELASTIQUE | FEDERSCHEIBE | |
| 269 | 12155000/0 | 2 | DADO | NUT | ECROU | MUTTER | |
| 270 | - | 2 | COPRIMOZZO | HUB CAP | COUVRE-MOYEU | RADKAPPE | (SEE ENCLOSURE 2) |
| 271 | 12530150/0 | 2 | ROSETTA ELASTICA | ELASTIC WASHER | RONDELLE ELASTIQUE | ELASTISCHE SCHEIBE | |
| 272 | 12789000/0 | 2 | VITE | SCREW | VIS | SCHRAUBE | |
| 273 | 81003279/2 | 1 | LEVA REGOLAZIONE ALTEZZA | LEVER, HEIGHT ADJUSTMENT | LEVIER, REGLAGE HAUTEUR | HEBEL, HÖHEVERSTELLUNG | |
| 274 | 12154330/0 | 2 | DADO | NUT | ECROU | MUTTER | |

| | | | |
|------------|-------------|--------------|----------------|
| M | | ML | |
| 484 | | 534 | |
| TR | TR/E | TR 4S | TR/E 4S |



| |
|---------------|
| 2008 |
| 683a.0 |
| 1 / 2 |

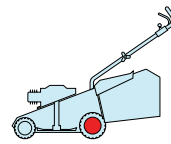


| POS. | CODE | Q.TY | DESCRIZIONE | DESCRIPTION | DESCRIPTION | BESCHREIBUNG | REMARKS |
|------|------------|------|-----------------------------|--------------------------|-------------------------------|-------------------------|---------|
| 351 | 81002422/0 | 1 | CHASSIS GIALLO | DECK YELLOW | CHÂSSIS JAUNE | GEHÄUSE GELB | 484 |
| - | 81001955/1 | 1 | CHASSIS GIALLO | DECK YELLOW | CHÂSSIS JAUNE | GEHÄUSE GELB | 534 |
| 352 | 22171002/0 | 1 | DISTANZIALE | SPACER | ENTRETOISE | DISTANZRING | |
| 353 | 81000141/1 | 1 | ASSE RUOTE ANTERIORI | AXLE, FRONT WHEELS | AXE ROUES AVANT | ACHSE, VORDERRAD | 484 |
| - | 81000143/1 | 1 | ASSE RUOTE ANTERIORI | AXLE, FRONT WHEELS | AXE ROUES AVANT | ACHSE, VORDERRAD | 534 |
| 354 | 12436050/0 | 2 | PIASTRINA | PLATE | PLAQUETTE | PLÄTTCHEN | |
| 355 | 81006481/1 | 1 | ASTA COMANDO REGOL. ALTEZZA | ROD, HEIGHT ADJUSTMENT | TIGE COMMANDE REGLAGE HAUTEUR | STANGE, HÖHEVERSTELLUNG | 484 |
| - | 81006483/1 | 1 | ASTA COMANDO REGOL. ALTEZZA | ROD, HEIGHT ADJUSTMENT | TIGE COMMANDE REGLAGE HAUTEUR | STANGE, HÖHEVERSTELLUNG | 534 |
| 362 | 12789000/0 | 2 | VITE | SCREW | VIS | SCHRAUBE | |
| 363 | 81003283/1 | 1 | LEVA REGOLAZIONE ALTEZZA | LEVER, HEIGHT ADJUSTMENT | LEVIER, REGLAGE HAUTEUR | HEBEL, HÖHEVERSTELLUNG | |
| 364 | 12154320/0 | 2 | DADO | NUT | ECROU | MUTTER | |
| 365 | 22122200/0 | 4 | CUSCINETTO | BEARING | COUSSINET | LAGER | |

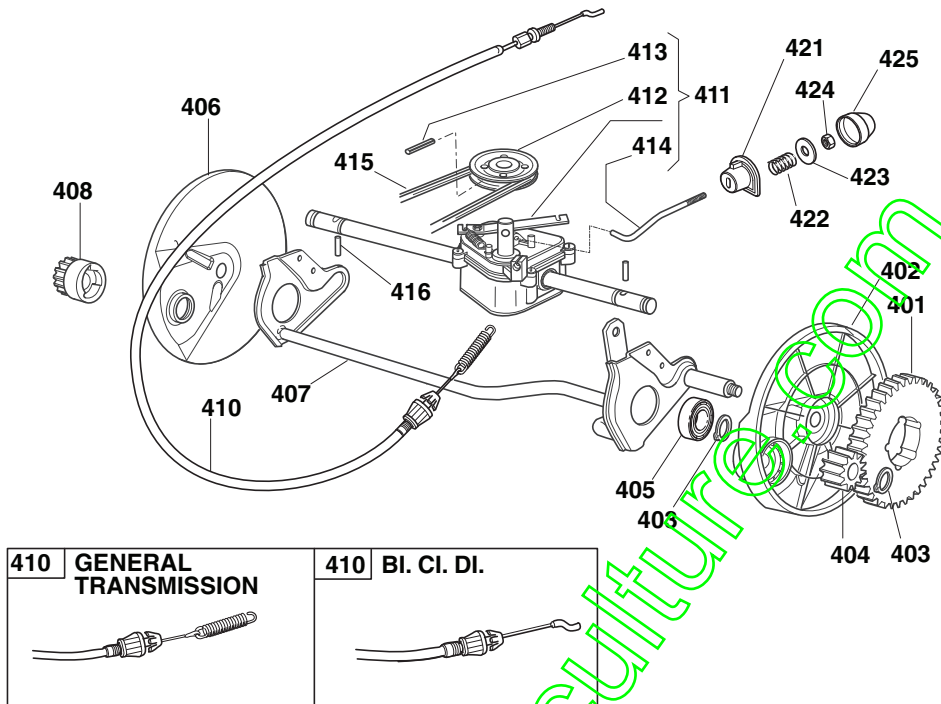
| POS. | CODE | Q.Q.TY | DESCRIZIONE | DESCRIPTION | DESCRIPTION | BESCHREIBUNG | REMARKS |
|------|------------|--------|----------------------|----------------------|---------------------|-------------------------|-------------------|
| 366 | 81007351/0 | 2 | RUOTA SCOLPITA Ø 170 | WHEEL, KNOBBLY Ø 170 | ROUE SCULPTEE Ø 170 | RAD M. STOLLENPR. Ø 170 | |
| 367 | 12521350/0 | 2 | ROSETTA | WASHER | RONDELLE | SCHEIBE | |
| 368 | 12155000/0 | 2 | DADO | NUT | ECROU | MUTTER | |
| 369 | - | 2 | COPRIMOZZO | HUB CAP | COUVRE-MOYEU | RADKAPPE | (SEE ENCLOSURE 1) |
| 370 | 22122200/0 | 4 | CUSCINETTO | BEARING | COUSSINET | LAGER | |
| 371 | 81007343/0 | 2 | RUOTA SCOLPITA Ø 210 | WHEEL, KNOBBLY Ø 210 | ROUE SCULPTEE Ø 210 | RAD M. STOLLENPR. Ø 210 | |
| 372 | 12521350/0 | 2 | ROSETTA | WASHER | RONDELLE | SCHEIBE | |
| 373 | 12155000/0 | 2 | DADO | NUT | ECROU | MUTTER | |
| 374 | - | 2 | COPRIMOZZO | HUB CAP | COUVRE-MOYEU | RADKAPPE | (SEE ENCLOSURE 2) |
| 375 | 12530150/0 | 2 | ROSETTA ELASTICA | ELASTIC WASHER | RONDELLE ELASTIQUE | ELASTISCHE SCHEIBE | |

www.emc-motoculture.com

| | | | |
|-----|------|-------|---------|
| M | | ML | |
| 484 | | 534 | |
| TR | TR/E | TR 4S | TR/E 4S |

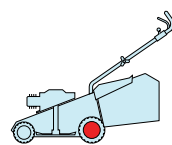


| |
|-------|
| 2008 |
| 684.0 |
| 1 / 1 |

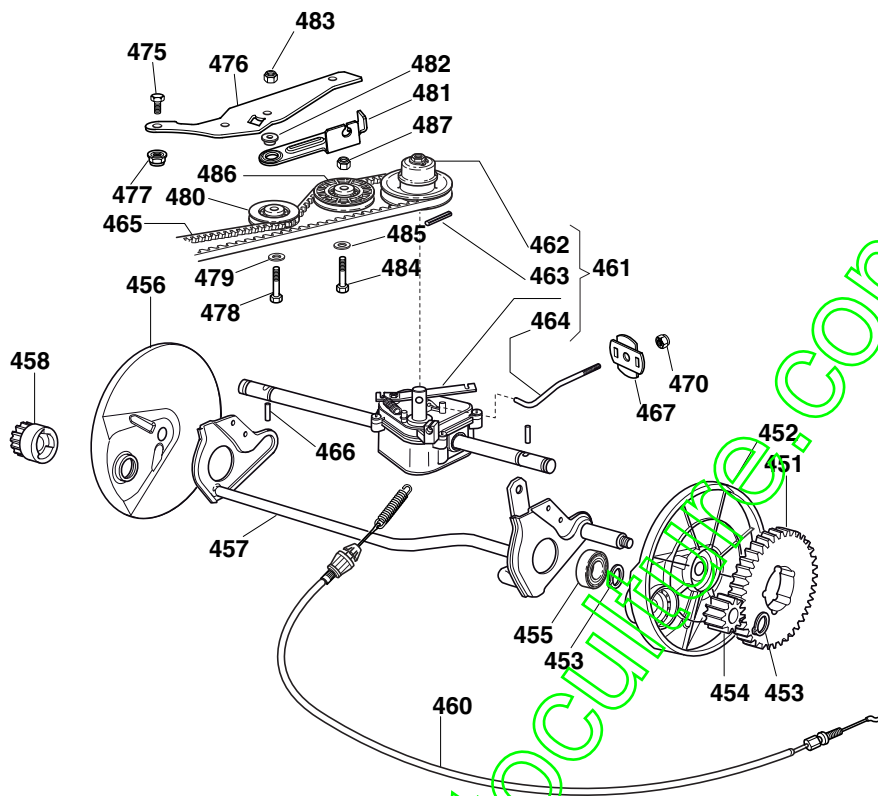


| POS. | CODE | Q.TY | DESCRIZIONE | DESCRIPTION | DESCRIPTION | BESCHREIBUNG | REMARKS |
|------|------------|------|--------------------------|---------------------|--------------------------|-------------------|------------------------|
| 401 | 22120105/1 | 2 | CORONA | RING GEAR | GOURONNE | KRANZ | |
| 402 | 22600093/0 | 1 | PROT. RUOTE SX | PROTECTION, L WHEEL | PROTECTION ROUE G | SCHÜTZ, LINKES | |
| 403 | 12608600/0 | 4 | SEEGER | SEEGER | SEEGER | SEEGER | |
| 404 | 22570120/1 | 1 | PIGNONE SX | PINION L | PIGNON G | RITZEL LINKES | |
| 405 | 19216035/0 | 2 | CUSCINETTO | BEARING | COUSSINET | LAGER | |
| 406 | 22600092/0 | 1 | PROT. RUOTE DX | PROTECTION, R WHEEL | PROTECTION ROUE D | SCHÜTZ, RECHTES | |
| 407 | 81000147/0 | 1 | ASSE RUOTE POSTERIORI | AXLE, REAR WHEELS | AXE ROUES ARRIERE | ACHSE, HINTERRAD | |
| 408 | 22570110/1 | 1 | PIGNONE DX | PINION R | PIGNON D | RITZEL RECHTES | |
| 416 | 81000672/0 | 1 | CAVO COMANDO TRAZIONE | CABLE, REAR DRIVE | CÂBLE, COMMANDE TRACTION | KABEL, ANTRIEB | (BI. CI. DI.) |
| - | 81000668/1 | 1 | CAVO COMANDO TRAZIONE | CABLE, REAR DRIVE | CÂBLE, COMMANDE TRACTION | KABEL, ANTRIEB | (GENERAL TRANSMISSION) |
| 410 | 81003081/1 | 1 | GRUPPO TRAZIONE (GRIGIO) | GEAR BOX (GREY) | GROUPE TRACTION | ANTRIEB (GRAU) | (BI. CI. DI.) |
| - | 81003076/0 | 1 | GRUPPO TRAZIONE | GEAR BOX | GROUPE TRACTION | ANTRIEB | (GENERAL TRANSMISSION) |
| 412 | 22601904/0 | 1 | PULEGGIA | PULLEY | POULIE | RIEMENSCHIEBE | |
| 413 | 12645705/0 | 1 | SPINA | PIN | GOUPILLE | STIFT | |
| 414 | 22033280/0 | 1 | ASTA REGOLAZIONE | ADJUSTMENT ROD | TIGE REGLAGE | VERSTELLUNGSTANGE | (BI. CI. DI.) |
| - | 22033283/0 | 1 | ASTA REGOLAZIONE | ADJUSTMENT ROD | TIGE REGLAGE | VERSTELLUNGSTANGE | (GENERAL TRANSMISSION) |
| 415 | 35063800/0 | 1 | CINGHIA Z 27 | BELT Z 27 | COURROIE Z 27 | RIEMEN Z 27 | 484 |
| - | 35063902/0 | 1 | CINGHIA Z 29.5 | BELT Z 29.5 | COURROIE Z 29.5 | RIEMEN Z 29.5 | 534 |
| 416 | 22753000/0 | 2 | SPINA | PIN | GOUPILLE | STIFT | |
| 421 | 22041957/1 | 1 | BUSSOLA | BUSH | DOUILLE | BUCHSE | |
| 422 | 22450063/0 | 1 | MOLLA | SPRING | RESSORT | FEDER | |
| 423 | 22680009/0 | 1 | ROSETTA | WASHER | RONDELLE | SCHEIBE | |
| 424 | 12154510/0 | 1 | DADO | NUT | ECROU | MUTTER | |
| 425 | 22110230/0 | 1 | TAPPO | CAP | BOUCHON | GUMMISTOPFEN | |

| | | | |
|-----|------|-------|---------|
| M | | ML | |
| 484 | | 534 | |
| TR | TR/E | TR 4S | TR/E 4S |



| |
|---------------|
| 2008 |
| 684a.0 |
| 1 / 2 |

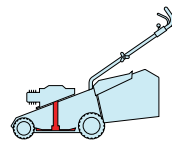


| POS. | CODE | Q.TY | DESCRIZIONE | DESCRIPTION | DESCRIPTION | BESCHREIBUNG | REMARKS |
|------|------------|------|-----------------------|---------------------|--------------------------|-------------------|------------------------|
| 451 | 22120105/1 | 2 | CORONA | RING GEAR | COURONNE | KRANZ | |
| 452 | 22600093/0 | 1 | PROT. RUOTE SX | PROTECTION, L WHEEL | PROTECTION ROUE G | SCHÜTZ, LINKES | |
| 453 | 12608600/0 | 4 | SEEGER | SEEGER | SEEGER | SEEGER | |
| 454 | 22570120/1 | 1 | PIGNONE SX | PINION L | PIGNON G | RITZEL LINKES | |
| 455 | 19216035/0 | 2 | CUSCINETTO | BEARING | COUSSINET | LAGER | |
| 456 | 22600092/0 | 1 | PROT. RUOTE DX | PROTECTION, R WHEEL | PROTECTION ROUE D | SCHÜTZ, RECHTES | |
| 457 | 81000147/0 | 1 | ASSE RUOTE POSTERIORI | AXLE, REAR WHEELS | AXE ROUES ARRIERE | ACHSE, HINTERRAD | |
| 458 | 22570110/1 | 1 | PIGNONE DX | PINION R | PIGNON D | RITZEL RECHTES | |
| 460 | 81000668/1 | 1 | CAVO COMANDO TRAZIONE | CABLE, REAR DRIVE | CÂBLE, COMMANDE TRACTION | KABEL, ANTRIEB | (GENERAL TRANSMISSION) |
| 461 | 81003096/1 | 1 | GRUPPO TRAZIONE | GEAR BOX | GROUPE TRACTION | ANTRIEB | (GENERAL TRANSMISSION) |
| 462 | 22601916/0 | 1 | PULEGGIA | PULLEY | POULIE | RIEMENSCHIEBE | |
| 463 | 12645700/0 | 1 | SPINA | PIN | GOUPILLE | STIFT | |
| 464 | 22033285/0 | 1 | ASTA REGOLAZIONE | ADJUSTMENT ROD | TIGE REGLAGE | VERSTELLUNGSTANGE | (GENERAL TRANSMISSION) |
| 465 | 35064005/0 | 1 | CINGHIA SPZX 750 | BELT SPZX 750 | COURROIE SPZX 750 | RIEMEN SPZX 750 | 484 |
| - | 35064010/0 | 1 | CINGHIA SPZX 812 | BELT SPZX 812 | COURROIE SPZX 812 | RIEMEN SPZX 812 | 534 |
| 466 | 22753000/0 | 2 | SPINA | PIN | GOUPILLE | STIFT | |
| 467 | 22675113/0 | 2 | ROSETTA | WASHER | RONDELLE | SCHEIBE | |
| 470 | 12154510/0 | 1 | DADO | NUT | ECROU | MUTTER | |
| 475 | 12791011/0 | 1 | VITE | SCREW | VIS | SCHRAUBE | |
| 476 | 22806625/0 | 1 | SUPPORTO | SUPPORT | SUPPORT | HALTER | |
| 477 | 12292102/0 | 1 | DADO | NUT | ECROU | MUTTER | |

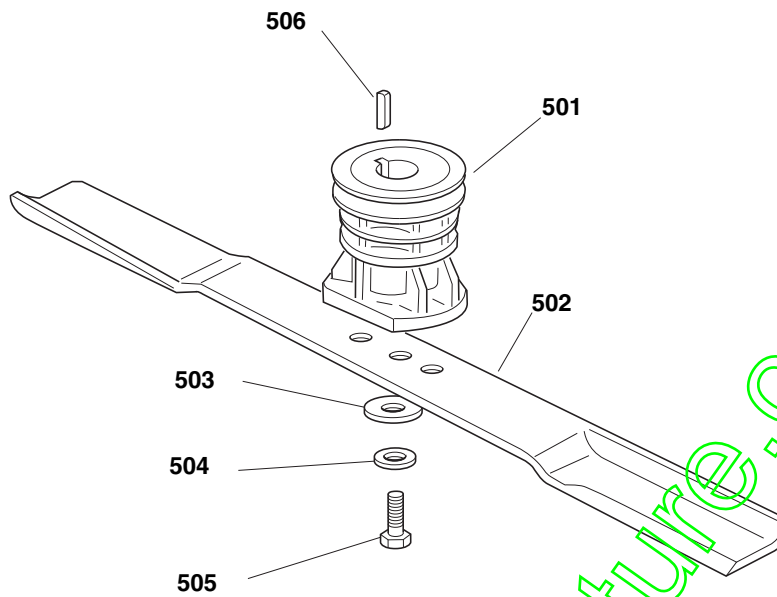
| POS. | CODE | Q.TY | DESCRIZIONE | DESCRIPTION | DESCRIPTION | BESCHREIBUNG | REMARKS |
|------|------------|------|-------------|-------------|-------------|----------------|---------|
| 478 | 12689500/0 | 1 | VITE | SCREW | VIS | SCHRAUBE | |
| 479 | 12523050/0 | 1 | ROSETTA | WASHER | RONDELLE | SCHEIBE | |
| 480 | 22601915/0 | 1 | PULEGGIA | PULLEY | POULIE | RIEMENSCHLEIFE | |
| 481 | 22806623/0 | 1 | SUPPORTO | SUPPORT | SUPPORT | HALTER | |
| 482 | 22671656/0 | 1 | ROSETTA | WASHER | RONDELLE | SCHEIBE | |
| 483 | 12154510/0 | 1 | DADO | NUT | ECROU | MUTTER | |
| 484 | 12674700/0 | 1 | VITE | SCREW | VIS | SCHRAUBE | |
| 485 | 12523050/0 | 1 | ROSETTA | WASHER | RONDELLE | SCHEIBE | |
| 486 | 22601914/0 | 1 | PULEGGIA | PULLEY | POULIE | RIEMENSCHLEIFE | |
| 487 | 12154510/0 | 1 | DADO | NUT | ECROU | MUTTER | |

www.emc-motoculture.com

| | | | |
|------------|-------------|--------------|----------------|
| M | | ML | |
| 484 | | 534 | |
| TR | TR/E | TR 4S | TR/E 4S |



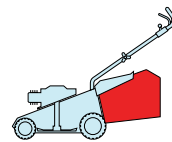
| |
|--------------|
| 2008 |
| 685.0 |
| 1 / 1 |



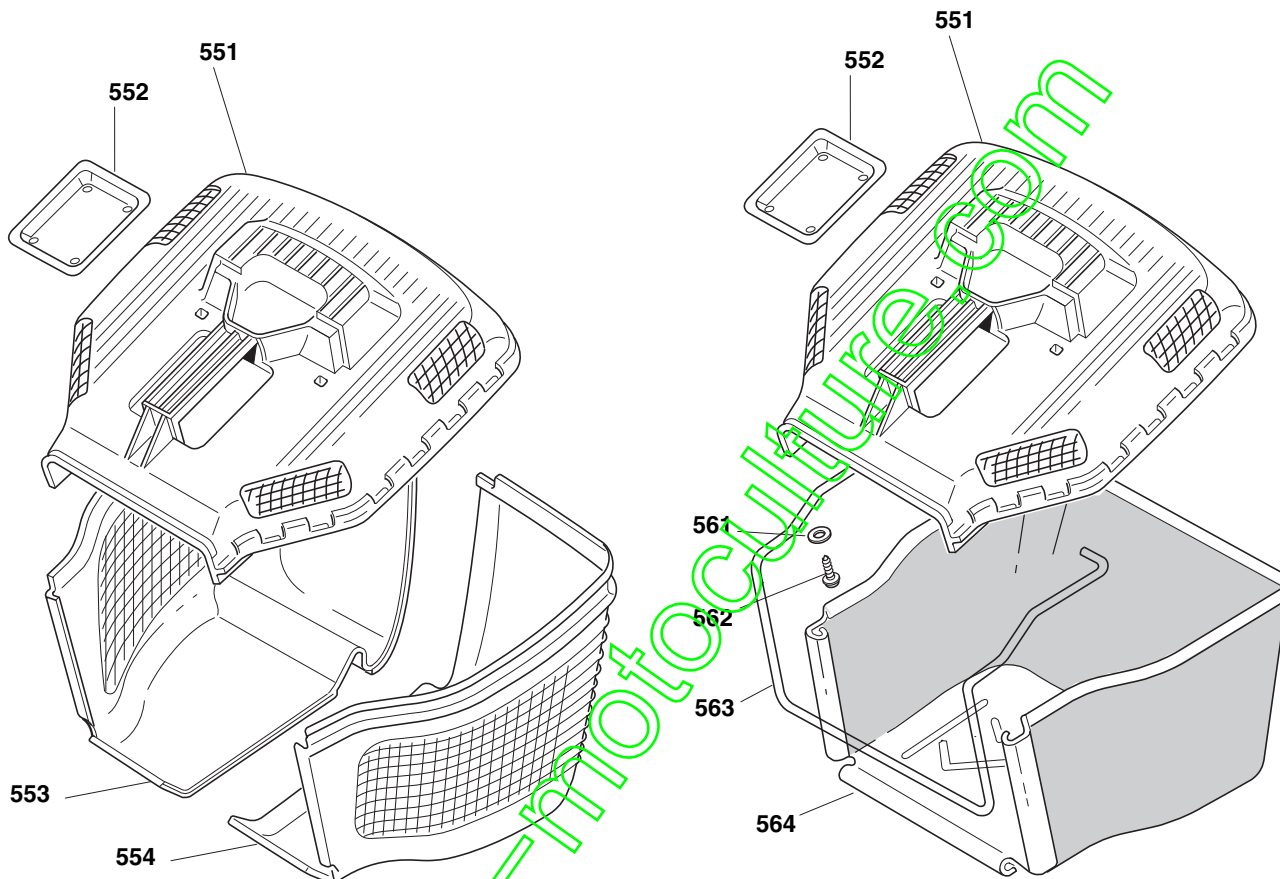
| POS. | CODE | Q.TY | DESCRIZIONE | DESCRIPTION | DESCRIPTION | BESCHREIBUNG | REMARKS |
|------|-------------|------|--|------------------------------------|--|-------------------------------------|------------------------|
| 501 | 22465607/2 | 1 | MOZZO CON PULEGGIA, ALBERO MOTORE Ø 22.2 | HUB WITH PULLEY, CRANKSHAFT Ø 22.2 | MOYEU AVEC POULIE, ARBRE MOTEUR Ø 22.2 | NABE MIT SCHEIBE, MOTORWELLE Ø 22.2 | |
| - | 122465608/1 | 1 | MOZZO CON PULEGGIA, ALBERO MOTORE Ø 25 | HUB WITH PULLEY, CRANKSHAFT Ø 25 | MOYEU AVEC POULIE, ARBRE MOTEUR Ø 25 | NABE MIT SCHEIBE, MOTORWELLE Ø 25 | |
| 502 | 81004346/3 | 1 | COLTELLO STANDARD | BLADE STANDARD | LAME STANDARD | MESSER STANDARD | 484 |
| - | 81004397/0 | 1 | COLTELLO ALETTATO | BLADE WINGED | LAME AILETTÉE | MESSER FLÜGEL | 484 |
| - | 81004381/1 | 1 | COLTELLO STANDARD | BLADE STANDARD | LAME STANDARD | MESSER STANDARD | 534 |
| - | 81004398/0 | 1 | COLTELLO ALETTATO | BLADE WINGED | LAME AILETTÉE | MESSER FLÜGEL | 534 |
| 503 | 22160400/0 | 1 | DISCO ELASTICO | ELASTIC WASHER | RONDELLE ELASTIQUE | ELASTISCHESCHEIBE | |
| 504 | 12523080/0 | 1 | ROSETTA | WASHER | RONDELLE | SCHEIBE | |
| 505 | 12735698/0 | 1 | VITE | SCREW | VIS | SCHRAUBE | |
| 506 | 12139100/0 | 1 | LINGUETTA, ALBERO MOTORE Ø 22.2 | FEATHER, CRANKSHAFT Ø 22.2 | CLAVETTE, ARBRE MOTEUR Ø 22.2 | KEIL, MOTORWELLE Ø 22.2 | (GENERAL TRANSMISSION) |
| - | 12139150/0 | 1 | LINGUETTA, ALBERO MOTORE Ø 25 | FEATHER, CRANKSHAFT Ø 25 | CLAVETTE, ARBRE MOTEUR Ø 25 | KEIL, MOTORWELLE Ø 25 | |

www.emo-motoculture.com

| | | | |
|------------|-------------|--------------|----------------|
| M | | ML | |
| 484 | | 534 | |
| TR | TR/E | TR 4S | TR/E 4S |



| |
|--------------|
| 2008 |
| 686.0 |
| 1 / 1 |



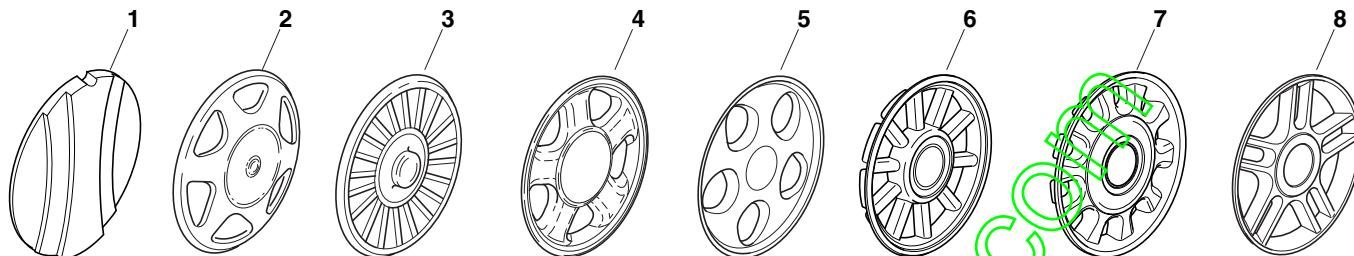
| POS. | CODE | Q.TY | DESCRIZIONE | DESCRIPTION | DESCRIPTION | BESCHREIBUNG | REMARKS |
|------|------------|------|---------------------------|-----------------------|------------------------|-----------------|---------|
| 551 | 22486095/0 | 1 | SACCO, PARTE SUP | GRASS-BOX, UPPER PART | SAC, PARTIE SUPERIEURE | KORB, OBERTEIL | |
| 552 | 22486098/0 | 1 | PIASTRINA | PLATE | PLAQUETTE | PLATTE | |
| 553 | 22486099/0 | 1 | SACCO PARTE INF. DESTRA | GRASS-BOX, LOWER PART | SAC, PARTIE INFERIEURE | KORB, UNTERTEIL | |
| 554 | 22486100/0 | 1 | SACCO PARTE INF. SINISTRA | GRASS-BOX, LOWER PART | SAC, PARTIE INFERIEURE | KORB, UNTERTEIL | |
| 561 | 12521460/0 | 2 | ROSETTA | WASHER | RONDELLE | SCHEIBE | |
| 562 | 12728300/0 | 2 | VITE | SCREW | VIS | SCHRAUBE | |
| 563 | 22608528/0 | 1 | RINFORZO INF | STIFFENING LOWER | RÉNFORCEMENT INF | VERSTÄRKUNG | |
| 564 | 81002235/0 | 1 | SACCO, TELA | BOX, FABRIC | SAC, TOILE | SACK, TUCK | |

ENCLOSURE 1

2008

001.0

1 / 1



| POS. | CODE | Q.TY | DESCRIZIONE | DESCRIPTION | DESCRIPTION | BESCHREIBUNG | REMARKS |
|------|------------|------|-------------------|----------------|-------------------|-----------------|---------|
| 1 | 22110252/1 | | COPRIMOZZO BIANCO | HUB CAP WHITE | COUVRE-MOYEU | RADKAPPE WEISSE | |
| - | 22110254/1 | | COPRIMOZZO GIALLO | HUB CAP YELLOW | COUVRE-MOYEU | RADKAPPE GELBE | |
| - | 22110255/1 | | COPRIMOZZO ROSSO | HUB CAP RED | COUVRE-MOYEU | RADKAPPE ROTE | |
| 2 | 22110344/0 | | COPRIMOZZO BIANCO | HUB CAP WHITE | COUVRE-MOYEU | RADKAPPE WEIÙE | |
| - | 22110395/0 | | COPRIMOZZO GRIGIO | HUB CAP GREY | COUVRE-MOYEU GRIS | RADKAPPE GRAU | |
| 3 | 22110347/0 | | COPRIMOZZO GRIGIO | HUB CAP GREY | COUVRE-MOYEU GRIS | RADKAPPE GRAU | |
| 4 | 22110381/0 | | COPRIMOZZO GRIGIO | HUB CAP GREY | COUVRE-MOYEU GRIS | RADKAPPE GRAU | |
| 5 | 22110416/0 | | COPRIMOZZO GRIGIO | HUB CAP GREY | COUVRE-MOYEU GRIS | RADKAPPE GRAU | |
| 6 | 22110495/0 | | COPRIMOZZO GRIGIO | HUB CAP GREY | COUVRE-MOYEU GRIS | RADKAPPE GRAU | |
| 7 | 22110493/0 | | COPRIMOZZO GRIGIO | HUB CAP GREY | COUVRE-MOYEU GRIS | RADKAPPE GRAU | |
| 8 | 22110491/0 | | COPRIMOZZO GRIGIO | HUB CAP GREY | COUVRE-MOYEU GRIS | RADKAPPE GRAU | |

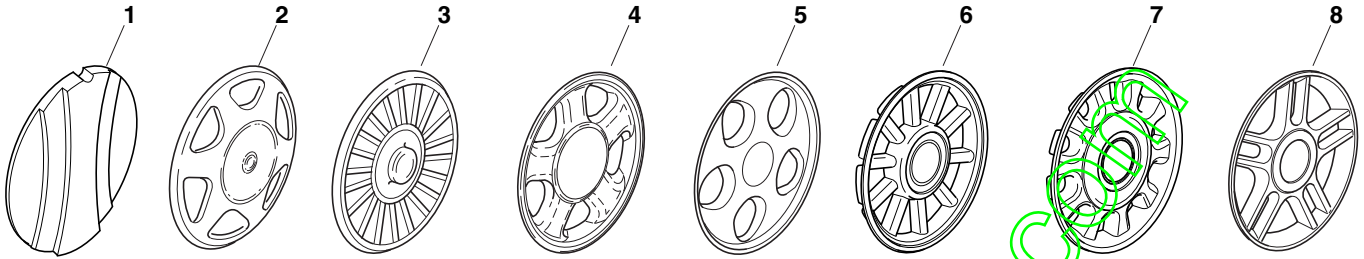
www.emc-motoculture.com

ENCLOSURE 2

2008

002.0

1 / 1



| POS. | CODE | Q.TY | DESCRIZIONE | DESCRIPTION | DESCRIPTION | BESCHREIBUNG | REMARKS |
|------|------------|------|-------------------|----------------|-------------------|-----------------|---------|
| 1 | 22110251/0 | | COPRIMOZZO BIANCO | HUB CAP WHITE | COUVRE-MOYEU | RADKAPPE WEISSE | |
| - | 22110253/0 | | COPRIMOZZO GIALLO | HUB CAP YELLOW | COUVRE-MOYEU | RADKAPPE GELBE | |
| - | 22110256/0 | | COPRIMOZZO ROSSO | HUB CAP RED | COUVRE-MOYEU | RADKAPPE ROTE | |
| 2 | 22110313/0 | | COPRIMOZZO BIANCO | HUB CAP WHITE | COUVRE-MOYEU | RADKAPPE WEIÙE | |
| - | 22110314/0 | | COPRIMOZZO GRIGIO | HUB CAP GREY | COUVRE-MOYEU GRIS | RADKAPPE GRAU | |
| 3 | 22110348/0 | | COPRIMOZZO GRIGIO | HUB CAP GREY | COUVRE-MOYEU GRIS | RADKAPPE GRAU | |
| 4 | 22110382/0 | | COPRIMOZZO GRIGIO | HUB CAP GREY | COUVRE-MOYEU GRIS | RADKAPPE GRAU | |
| 5 | 22110417/0 | | COPRIMOZZO GRIGIO | HUB CAP GREY | COUVRE-MOYEU GRIS | RADKAPPE GRAU | |
| 6 | 22110496/0 | | COPRIMOZZO GRIGIO | HUB CAP GREY | COUVRE-MOYEU GRIS | RADKAPPE GRAU | |
| 7 | 22110494/0 | | COPRIMOZZO GRIGIO | HUB CAP GREY | COUVRE-MOYEU GRIS | RADKAPPE GRAU | |
| 8 | 22110492/0 | | COPRIMOZZO GRIGIO | HUB CAP GREY | COUVRE-MOYEU GRIS | RADKAPPE GRAU | |

www.emc-motoculture.com