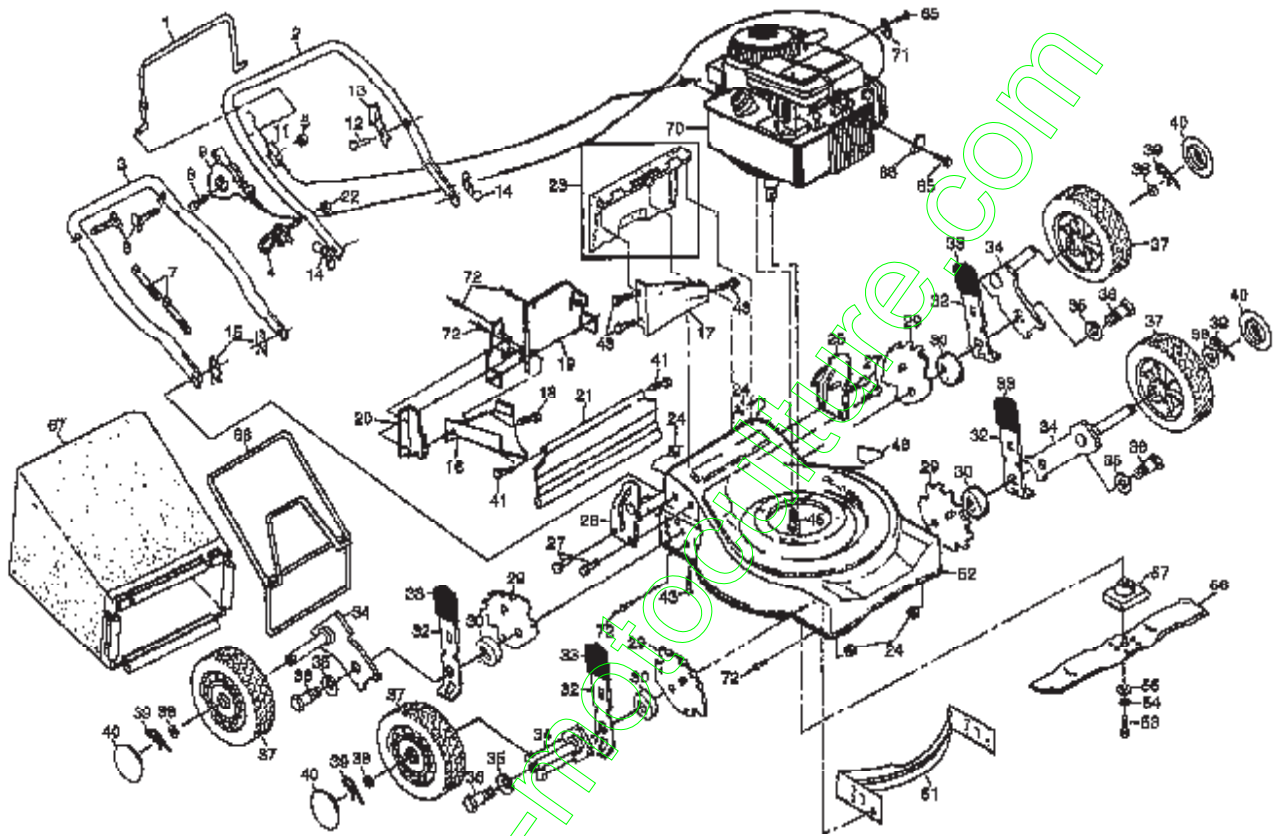


20" REAR BAGGER ROTARY MOWER MODEL NO. BM2A379B



Ref #	Part Number	Qty	Description
1	131696		CONTROL BAR
2	131697X479		SUB= 154480X479
3	134081X479		SUB= 151590X479
4	132001		ROPE GUIDE
5	63601		SUB= 73800400
6	131959		BOLT.HANDLE.LM
7	66426		SUB= 7192J
8	144929		SCREW.HXHD.WASH.
9	851462		CONTROL THROTTLE
11	130861		"CABLE,ENG ZONE CO"
12	750097		TAPPING SCREW
13	850733X004		"BRKT,UPSTOP"
14	128638		"NUT,WING PM"
15	51793		HAIRPIN COTTER
16	133188X479		DISCHARGE GUARD
17	700063X479		REAR BAFFLE
18	86344		SCREW PM
19	700356X479		PLATE.BACK.20RD
20	700363X479		BAFFLE,SIDE
21	140657		SKIRT.PUSH.20RD
22	73510400		NUT
23	48257		"KIT, REAR DOOR PM"
24	751592		LOCKNUT PM
25	700913X479		SUB= 150956
26	700915X479		SUB= 150956
27	55187		SCREW
29	700325X007		BRACKET.ADJ.9POS.
30	84920		SUB= 146630
32	700331X004		SPRING SELECTOR
33	87877		KNOB PM
34	85021X004		AXLE ARM
35	62335		"WASHER, BELLEVIL."
36	142748		BOLT SHLD 3/8-16
37	800390		SUB= 146247
38	52160		WASHER
39	85179		RETAINER CLIP PM
40	77400		HUB CAP
41	88652		HINGE SCREW
43	54583		SCREW
45	850998		SCREW
46	107339X		DECAL HYT
51	132198X479		SUB= 144961
52	701779		KIT.HSG.20RD
53	851084		SCREW
54	850263		LOCKWASHER
55	851074		"WASHER,HARDEN"
56	850972		BLADE.STAND.20INC
57	850977		BLADE ADAPTOR
65	83816		SCREW PM
66	213146		CABLE CLAMP
67	135200		GRASSBAG.PM.
68	133413		CATCHER FRAME
70			CHECK WITH SUPPLIER
71	87930		GUIDE CLIP PM
72	128415		BLIND RIVET
	140753		MANUAL OP GEN PUS
	140754		MANUAL OPER GEN F
	145726		MANUAL.P.BM2A379B

Ref #	Part Number	Qty	Description
	MA36		CLIPPING DEFL
	MK20FRD		"KIT, MULCHER 20""

www.emc-motoculture.com