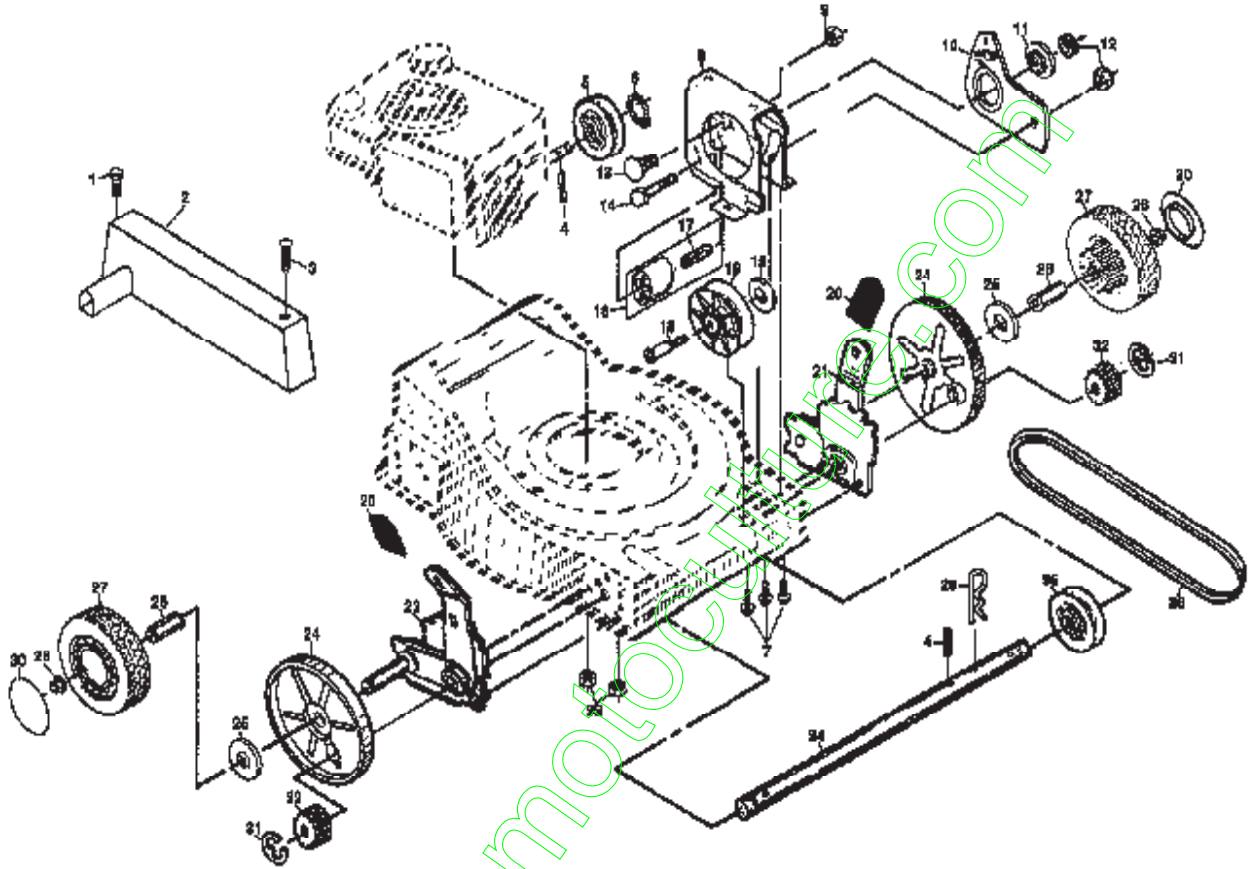


ROTARY LAWN MOWER -- MODEL NO. BM2Q879E

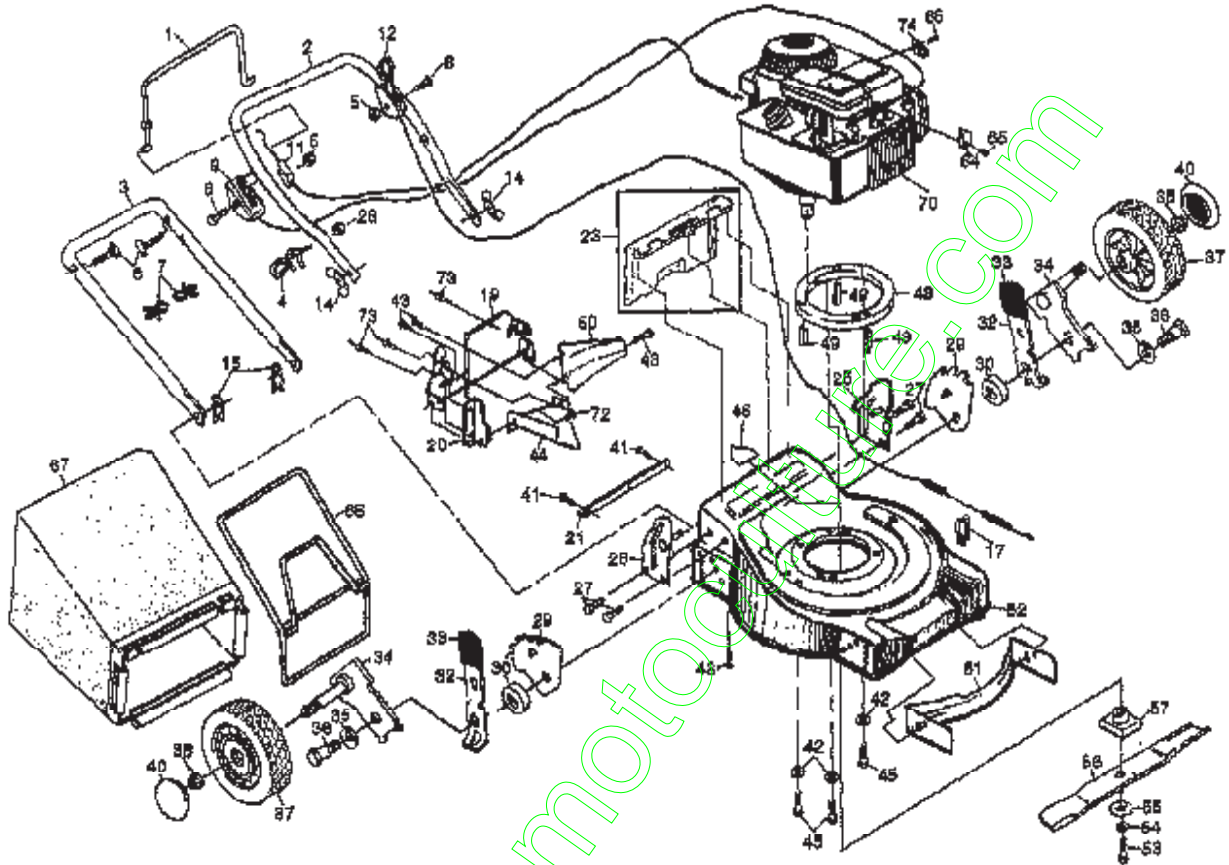


www.emc-motors.com

Ref #	Part Number	Qty	Description
1	141912		SCREW HXHD 10-24
2	701459		COVER.DRV.B&S.20
3	701477		FASTNER PUSH DRCV
4	851980		DRIVE PAWL
5	88043		PULLEY PM
6	12000030		RETAINING RING ST
7	54583		SCREW
8	851947X004		"CLUTCH,FRAME"
9	50962		LOCKNUT
10	702631X004		LEVER.CLUTCH
11	88067		SPACER PM
12	750253		LOCKNUT
13	72070504		CARRIAGE BOLT
14	74350424		BOLT 1/4-20-1 1/2
15	88069		SPACER PM
16	48160		IDLER ASSY
17	88576		IDLER SPACER
18	88517		SHOULDER BOLT
19	88516		IDLER PULLEY
20	87877		KNOB PM
21	151520		WHEEL.ADJ.ASM.RH.
22	151521		WHEEL.ADJ.ASM.LH.
24	88080		DUST SHROUD PM
25	67725		WASHER FLUT
26	88446		BUSHING.HEX
27	750124		DRIVE WHL ASM
28	145212		NUT.HXFLG.LOCK.
29	85179		RETAINER CLIP PM
30	77400		HUB CAP
31	12000058		E-RING.7/16.RE.
32	137054		PINION.GEAR
33	63601		SUB= 73800400
34	700537		SHAFT.DRIVE.17.81
35	88082		DRIVE PULLEY PM
36	111924X		SUB= TH3H340
	852000		"DECAL,CLEAN UNDER"
	MA36		CLIPPING DEFL
	MK20FRD		"KIT, MULCHER 20""

www.emc-motors.com

ROTARY MOWER MODEL NO. BM2Q679D



Ref #	Part Number	Qty	Description
1	146771		BAIL.CNTRL.DLX.ST
2	149637X479		SUB= 154480X479
3	151590X479		HANDLE.LWR.DLX.20
4	132001		ROPE GUIDE
5	63601		SUB= 73800400
6	131959		BOLT.HANDLE.LM
7	151517		SUB= 7192J
8	144929		SCREW.HXHD.WASH.
9	851462		CONTROL THROTTLE
11	130861		"CABLE,ENG ZONE CO"
12	146392		CONTROL.DRV.20FBD
14	128638		"NUT,WING PM"
15	51793		HAIRPIN COTTER
17	145669		GUIDE.CABLE.FWBD
19	151586X479		PLATE.BACK.20.FO
20	700363X479		BAFFLE.SIDE
21	146143X479		GUARD.FOOT.REAR.
23	147613		KIT.DOOR.RR.20STL
25	151589X479		BRACKET.HDL.LH.
26	151588X479		BRACKET.HDL.RH.
27	150078		SCREW.HXWS.5/16
28	73510400		NUT
29	700328X007T		WHEEL ADJUSTING BRACKET
30	146630		SPACER.HEIGHT.ADJ
32	700331X004		SPRING SELECTOR
33	87877		KNOB PM
34	145935X004		ARM.AXLE.ASM.BZP.
35	62335		"WASHER, BELLEVIL."
36	151611		BOLT.SHLD.W/PATCH
37	148438		WHEEL.8X1.75.WHT
38	83923		HEX FLANGE LOCKNT
40	77400		HUB CAP
41	146694		SCREW.1/4-20.38
42	53998		SUB= 19131216
43	54583		SCREW
44	133188X479		DISCHARGE GUARD
45	850999		SCREW
46	145494		DECAL.DANGER.CUTF
48	850988		ENGINE SPACER
49	850987		SUB= 850988
50	700063X479		REAR BAFFLE
51	701640X479		BAFFLE.FRONT
52	151593		KIT.HSG.20RD.FWBD
53	851084		SCREW
54	850263		LOCKWASHER
55	851074		"WASHER,HARDEN"
56	145106		BLADE.20.MULCH.AY
57	851514		ADAPTOR.BLADE.LM
64	213146		CABLE CLAMP
65	83816		SCREW PM
67	149619		GRASSBAG.250B1.BL
68	149555		FRAME.CATCHER.2.5
70			CHECK WITH SUPPLIER
72	150050		SCREW.HXTAP.10-24
73	128415		BLIND RIVET
74	87930		GUIDE CLIP PM
	146983		MANUAL.OP.GEN.SP.
	146984		MANUAL.OP.GEN.SP.

Ref #	Part Number	Qty	Description
	151592		MANUAL.P.BM2Q679E
	800197		NLA
	145495		DECAL.INTERN.4SYM
	702310		GUARD.MUFFLER
	150050		SCREW.HXTAP.10-24

www.emc-motoculture.com