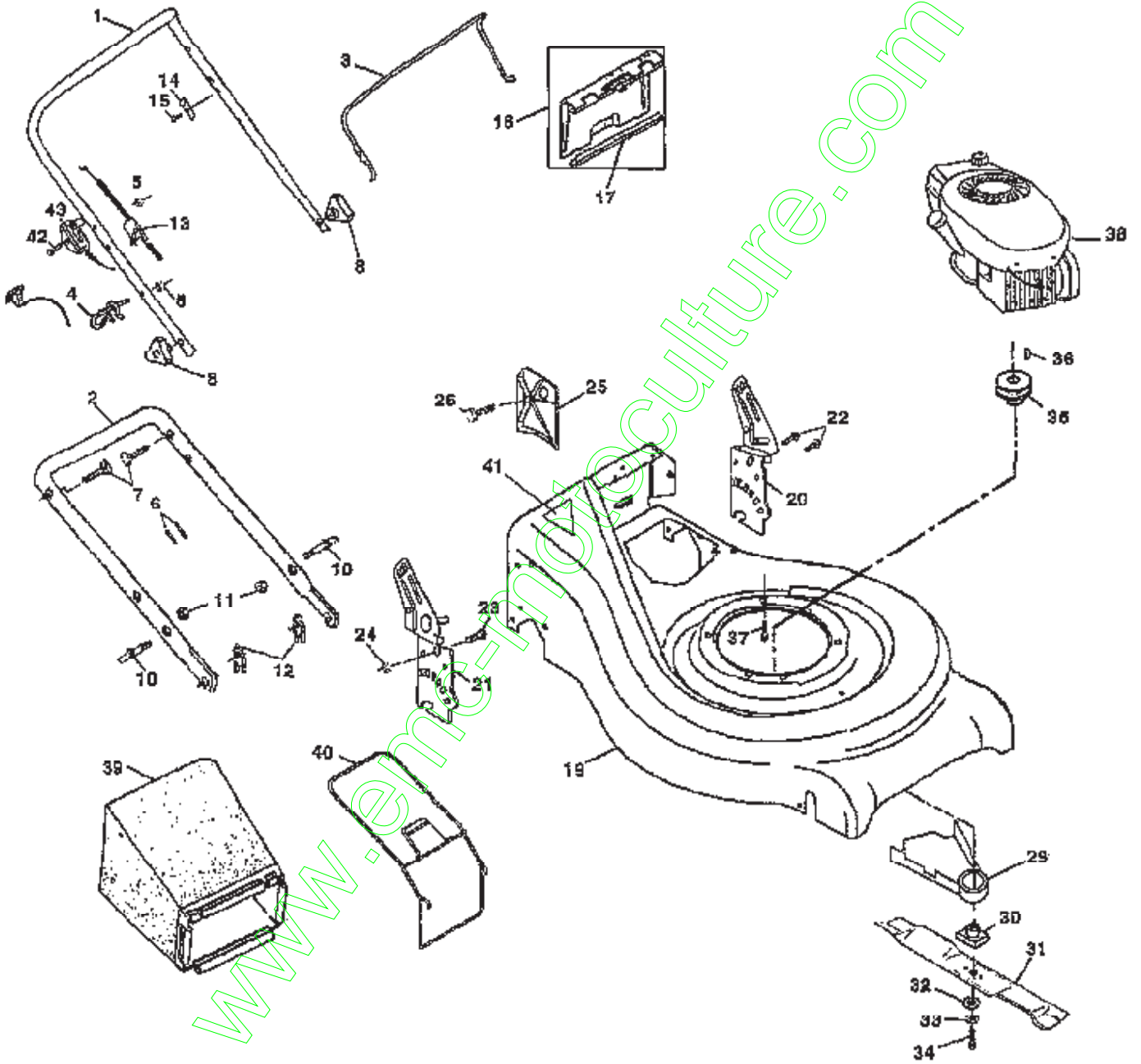


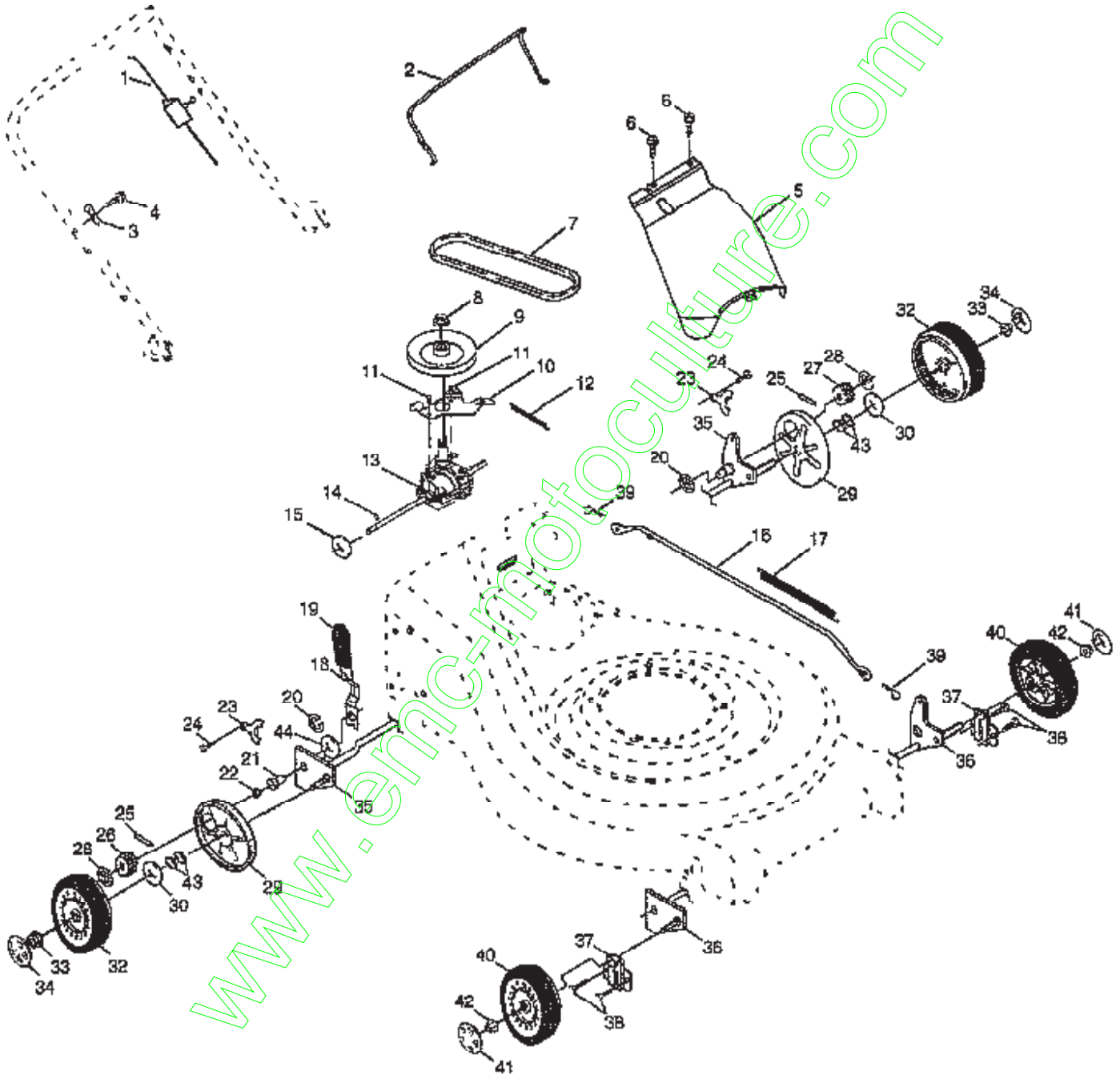
ROTARY MOWER MODEL NO. BM4T53TA



Ref #	Part Number	Qty	Description
1	165534X479		HANDLE.UPPER.DLX.
2	161105X479		HANDLE.LOWER
3	131036		CONTROL BAR
4	132001		ROPE GUIDE
5	63601		SUB= 73800400
6	66426		SUB= 7192J
7	131959		BOLT.HANDLE.LM
8	87692		KNOB PM
9	164265		GRIP.HANDLE.FOAM
10	161551		SQUARE.HEX.KEY
11	73990500		NUT LCK 5/16-18
12	51793		HAIRPIN COTTER
13	133107		ZONE CONTROL
14	850733X004		"BRKT,UPSTOP"
15	83816		SCREW PM
16	162085		KIT.DOOR.REAR.21
17	161548		SEAL.DOOR.21
19	162092		HOUSING KIT
20	161568X479		HANDLE.BRACKET.RH
21	161569X479		HANDLE BRACKET ASM.
22	150078		SCREW.HXWS.5/16
23	163183		SUB= 532163183
24	63124		SUB= 73690500
25	161333		DEFLECTOR.CLIPPING
26	163409		SCREW
29	134612		SUB= 48283
30	851514		ADAPTOR.BLADE.LM
31	159267		BLADE.21.MULCH.PREM.
32	851074		"WASHER,HARDEN"
33	850263		LOCKWASHER
34	851084		SCREW
35	85543		ENGINE PULLEY PM
36	87677		HI PRO KEY PM
37	150406		BOLT.ENG.3/8-16
38	PARTSIMAGE		REFER TO PARTS IMAGE
38	SUPPLIER		CHECK WITH SUPPLIER
39	165844		GBAG.300A2.BLK.CE
40	161358		FRAME.GRASSCATCHER
41	145494		DECAL.DANGER.CUTF
42	144929		SCREW.HXHD.WASH.
43	163054		THROTTLE CONTROL
	167444		MANUAL.OPER.EURO
	167445		MANUAL.P.BM4T53TA

www.emc-motors.com

ROTARY LAWN MOWER - - MODEL NO. BM4T53TA



Ref #	Part Number	Qty	Description
1	161587		CABLE.DRIVE
2	161473		BAIL.CONTROL DRIVE
3	161478X004		BRACKET.DOWNSTOP.RT
4	83816		SCREW PM
5	161537		DRIVE.COVER
6	750634		SCREW
7	160816		V.BELT.3-L
8	132010		LOCKNUT
9	163939		DRIVEN.PULLEY
10	160813X004		KEEPER.BELT
11	17541011		SCREW.HEX.WASHER 10-71
12	75192		SPRING
13	161581		TRANSMISSION ASSY
14	145354		PIN.SPRING.THRUST
15	57079		THRUST WASHER
16	161584X479		ROD.CONNECTING
17	161602		SPRING EXTENSION
18	160477X004		SPRING.SELECTOR
19	161961		KNOB.SELECTOR.SPRING
20	12000022		E-RING
21	163365		BEARING SUPPORT
22	88060		SUB= 167387
23	161118X004		RETAINER DRIVE
24	57808		SCREW
25	164795		DRIVE PAWL
26	165096		PINION DRIVE RH
27	165097		PINION.DRIVE.LH
28	12000058		E-RING.7/16.RE.
29	88080		DUST SHROUD PM
30	67725		WASHER FLUT
32	162063		WHEEL 9X2
33	83923		HEX FLANGE LOCKNT
34	150181		HUBCAP
35	160785X004		ASSY. REAR SHAFT
36	160786X004		SHAFT.ASM.FRONT
37	161463		RETAINER.FRONT
38	163409		SCREW
39	700279		RETAINER CLIP
40	157178		WHEEL & TIRE ASM
41	150182		HUB CAP
42	83923		HEX FLANGE LOCKNT
43	57143		WAVE WASHER
44	19572216		WASHER

www.emc-motors.com