

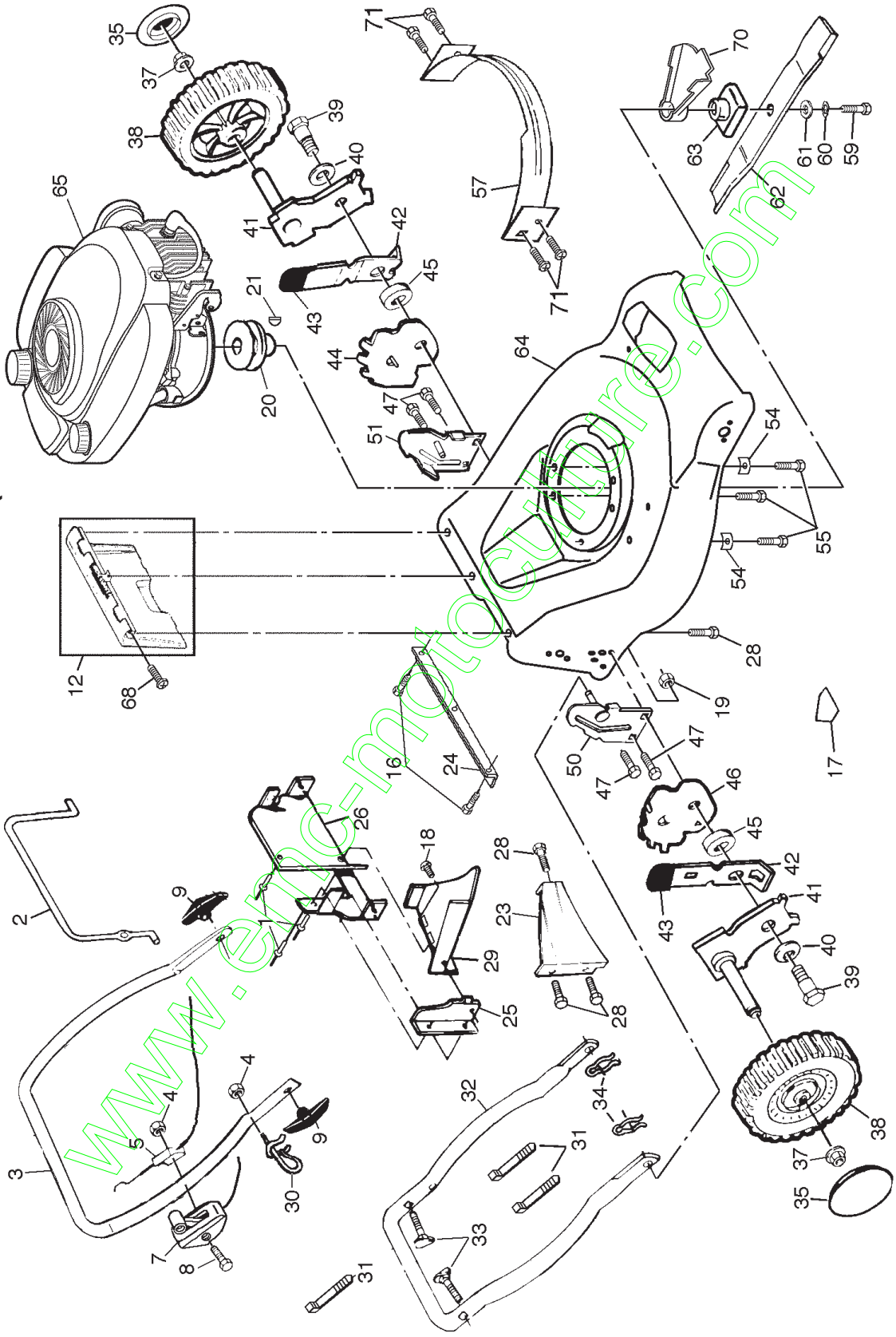
**REPAIR PARTS MANUAL  
MODEL NO. BM6T56TF  
LAWN MOWER**

**MANUEL DES PIÈCES DE RECHANGE  
NO. DE MODÈLE BM6T56TF  
TONDEUSE À GAZON**

***BESTGREEN***

|                            |  |
|----------------------------|--|
| Machine: .....             |  |
| Type: .....                |  |
| Moteur: .....              |  |
| Type: .....                |  |
| N° de série: .....         |  |
| Constructeur: .....        |  |
| Date de vente: ___/___/___ |  |
| Nom du Propriétaire: ..... |  |
| Adresse: .....             |  |
| CP: ___/___/___            |  |
| Ville: .....               |  |
| Cachet du Vendeur:         |  |

ROTARY LAWN MOWER -- MODEL NUMBER BM6T56TF (PRODUCT NUMBER 964 79 73-00)

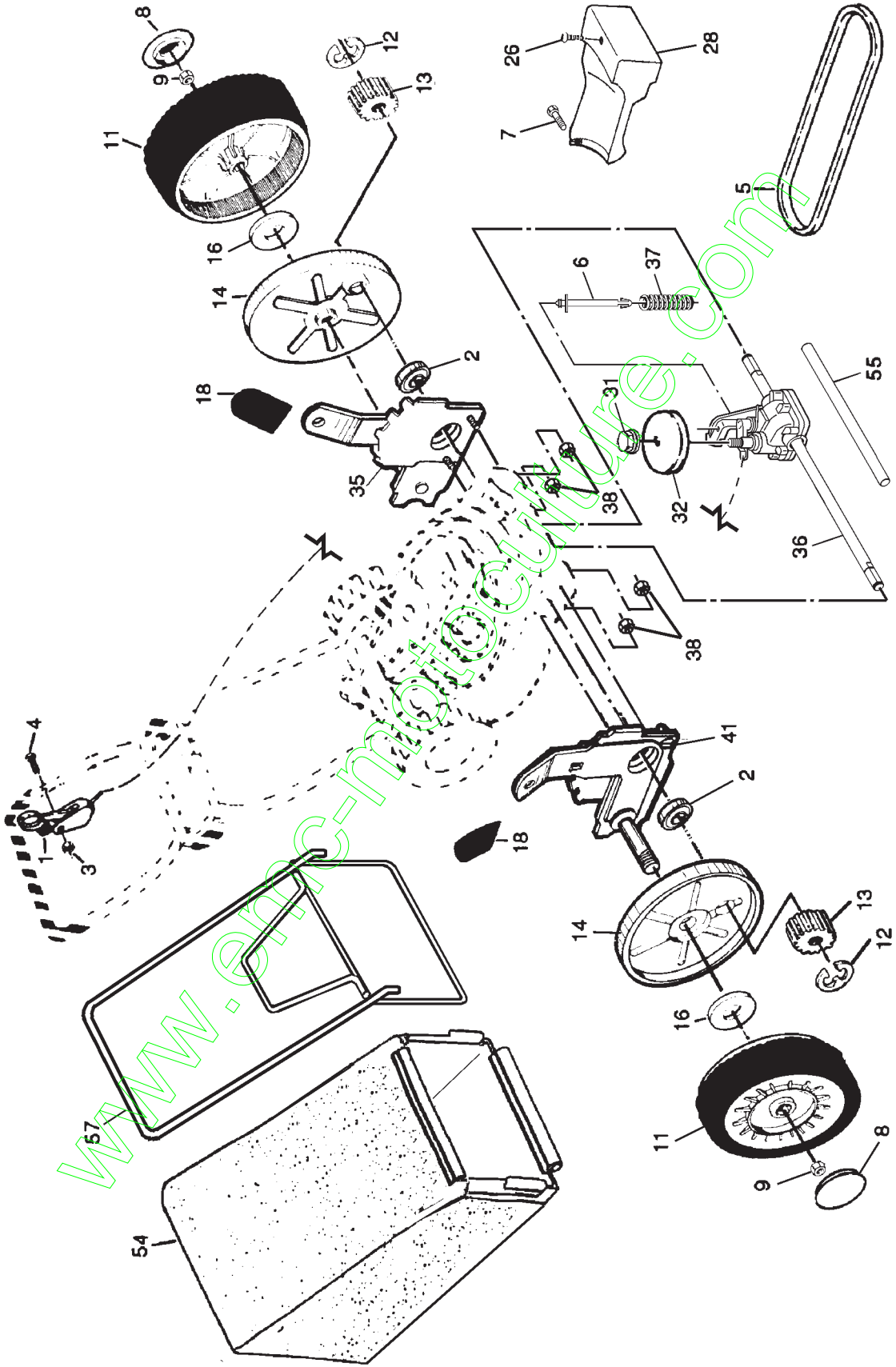


# ROTARY LAWN MOWER - - MODEL NUMBER BM6T56TF (PRODUCT NUMBER 964 79 73-00)

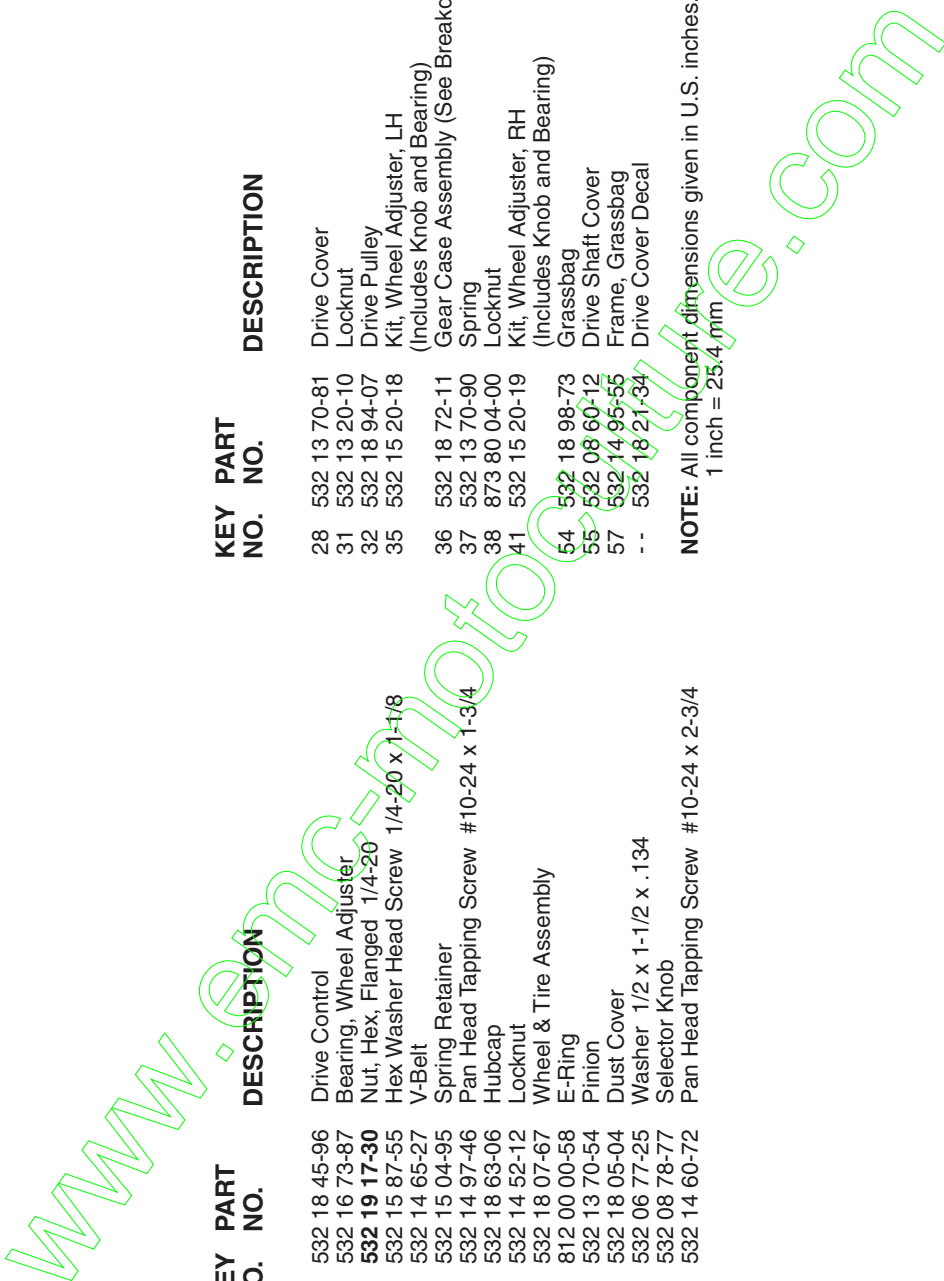
| KEY PART NO. | DESCRIPTION                                      | KEY PART NO. | DESCRIPTION  |
|--------------|--|--------------|--|
| 1            | 532 12 84-15 Pop Rivet                           | 40           | 532 06 23-35 Belleville Washer   |
| 2            | 532 14 67-71 Control Bar                         | 41           | 532 14 98-57 Axle Arm  |
| 3            | 532 17 76-98 Upper Handle                        | 42           | 532 14 17-30 Selector Spring   |
| 4            | 532 13 20-04 Locknut                             | 43           | 532 08 78-77 Selector Knob   |
| 5            | 532 85 16-71 Engine Zone Control Cable           | 44           | 532 14 08-36 Wheel Adjusting Bracket, L.R.                                       |
| 7            | 532 16 30-54 Throttle Control                    | 45           | 532 14 66-30 Spacer  |
| 8            | 532 14 49-29 Hex Washer Head Screw 1/4-20 x 2-12 | 46           | 532 14 09-96 Wheel Adjusting Bracket, R.R.                                       |
| 9            | 532 13 63-76 Handle Knob                         | 47           | 532 15 00-78 Self-Tapping Screw 5/16-18 x 3/4                                    |
| 12           | 532 15 10-23 Rear Door Kit                       | 50           | 532 15 30-29 Handle Bracket, Right   |
| 16           | 532 14 66-94 Screw                               | 51           | 532 15 30-30 Handle Bracket, Left  |
| 17           | 532 18 21-66 Danger Decal                        | 54           | 532 12 50-78 Engine Washer   |
| 18           | 532 15 00-50 Screw                               | 55           | 532 15 04-06 Screw, Hex Head, Threaded, Rolled 3/8-16 x 1                        |
| 19           | 532 75 15-92 Nut                                 | 57           | 532 17 06-17 Front Baffle  |
| 20           | 532 18 49-41 Engine Pulley                       | 59           | 532 85 10-84 Screw, Machine, Hex Head 3/8-24 x 1-3/8 Grade 8                     |
| 21           | 532 18 77-23 Hi-Pro Key                          | 60           | 532 85 02-63 Helical Lock Washer   |
| 23           | 532 12 53-48 Baffle, Rear                        | 61           | 532 85 10-74 Hardened Washer   |
| 24           | 532 14 76-25 Foot Guard                          | 62           | 532 14 11-14 Blade, 22"  |
| 25           | 532 13 88-60 Side Baffle                         | 63           | 532 18 45-90 Blade Adapter   |
| 26           | 532 16 68-00 Back Plate                          | 64           | 532 18 63-07 Lawn Mower Housing Kit (Includes Key Number 17)                     |
| 28           | 532 05 45-83 Screw, Hex Head 1/4-20 x 1/2        | 65           | Engine, Tecumseh, Model Number LV195EA<br>(Order parts from engine manufacturer) |
| 29           | 532 18 08-57 Discharge Baffle                    | 68           | 532 08 86-52 Hinge Screw   |
| 30           | 532 17 95-85 Rope Guide                          | 70           | 532 18 20-02 Debris Shield   |
| 31           | 532 06 64-26 Cable Clips                         | 71           | 817 60 04-06 Screw, Serrated, Hex Head 1/4 x 20                                  |
| 32           | 532 15 50-44 Lower Handle                        | --           | 532 17 26-56 Operator's Manual, European   |
| 33           | 532 13 19-59 Handle Bolt                         | --           | 532 17 26-58 Operator's Manual, Portuguese                                       |
| 34           | 532 05 17-93 Hairpin Cotter                      | --           | 532 17 32-40 Operator's Manual, Polish   |
| 35           | 532 18 63-06 Hubcap                              | --           | 532 18 97-29 Repair Parts Manual, English / French                               |
| 37           | 532 08 39-23 Flanged Locknut                     |              |  |
| 38           | 532 15 71-78 Wheel & Tire Assembly               |              |  |
| 39           | 532 14 27-48 Shoulder Bolt                       |              |  |

**NOTE:** All component dimensions given in U.S. inches.  
1 inch = 25.4 mm

ROTARY LAWN MOWER -- MODEL NUMBER BM6T56TF (PRODUCT NUMBER 964 79 73-00)



# ROTARY LAWN MOWER -- MODEL NUMBER BM6T56TF (PRODUCT NUMBER 964 79 73-00)



| KEY PART NO. NO. | DESCRIPTION  | KEY PART NO. NO. | DESCRIPTION   |
|------------------|--|------------------|---|
| 1                | 532 18 45-96 Drive Control                         | 28               | 532 13 70-81 Drive Cover  |
| 2                | 532 16 73-87 Bearing, Wheel Adjuster               | 31               | 532 13 20-10 Locknut  |
| 3                | <b>532 19 17-30</b> Nut, Hex, Flanged 1/4-20       | 32               | 532 18 94-07 Drive Pulley   |
| 4                | 532 15 87-55 Hex Washer Head Screw 1/4-20 x 1-1/8  | 35               | 532 15 20-18 Kit, Wheel Adjuster, LH<br>(Includes Knob and Bearing) |
| 5                | 532 14 65-27 V-Belt                                | 36               | 532 18 72-11 Gear Case Assembly (See Breakdown)                     |
| 6                | 532 15 04-95 Spring Retainer                       | 37               | 532 13 70-90 Spring   |
| 7                | 532 14 97-46 Pan Head Tapping Screw #10-24 x 1-3/4 | 38               | 873 80 04-00 Locknut  |
| 8                | 532 18 63-06 Hubcap                                | 41               | 532 15 20-19 Kit, Wheel Adjuster, RH<br>(Includes Knob and Bearing) |
| 9                | 532 14 52-12 Locknut                               | 54               | 532 18 98-73 Grassbag   |
| 11               | 532 18 07-67 Wheel & Tire Assembly                 | 55               | 532 08 60-12 Drive Shaft Cover                                      |
| 12               | 812 00 00-58 E-Ring                                | 57               | 532 14 95-55 Frame, Grassbag  |
| 13               | 532 13 70-54 Pinion                                | --               | 532 18 21-34 Drive Cover Decal                                      |
| 14               | 532 18 05-04 Dust Cover                            |                  |   |
| 16               | 532 06 77-25 Washer 1/2 x 1-1/2 x .134             |                  |   |
| 18               | 532 08 78-77 Selector Knob                         |                  |   |
| 26               | 532 14 60-72 Pan Head Tapping Screw #10-24 x 2-3/4 |                  |   |

**NOTE:** All component dimensions given in U.S. inches.  
1 inch = 25.4 mm

**CONGRATULATIONS** on your purchase of a new lawn mower. Your lawn mower has been designed, engineered and manufactured to give you the best possible dependability and performance.

### **LIMITED WARRANTY**

The Manufacturer warrants to the original consumer purchaser that this product as manufactured is free from defects in materials and workmanship. For a period of one (1) year from date of purchase by the original consumer purchaser, we will repair or replace, at our option, without charge for parts or labor incurred in replacing parts, any part which we find to be defective due to materials or workmanship. This Warranty is subject to the following limitations and exclusions.

1. This warranty does not apply to the engine. Please contact your nearest Bricomarché dealer where they will send the machine to the engine manufacturer.
2. Transportation charges for the movement of any power equipment unit or attachment are the responsibility of the purchaser. Transportation charges for any parts submitted for replacement under this warranty must be paid by the purchaser unless such return is requested by Bricomarché.
3. Battery Warranty: On products equipped with a Battery, we will replace, without charge to you, any battery which we find to be defective in manufacture, during the first ninety (90) days of ownership. After ninety (90) days, we will exchange the Battery, charging you 1/12 of the price of a new Battery for each full month from the date of the original sale. Battery must be maintained in accordance with the instructions furnished.
4. The Warranty period for any products used for rental or commercial purposes is limited to 45 days from the date of original purchase.
5. This Warranty applies only to products which have been properly assembled, adjusted, operated, and maintained in accordance with the instructions furnished. This Warranty does not apply to any product which has been subjected to alteration, misuse, abuse, improper assembly or installation, delivery damage, or to normal wear of the product.
6. Exclusions: Excluded from this Warranty are belts, blades, blade adapters, normal wear, normal adjustments, standard hardware and normal maintenance.
7. In the event you have a claim under this Warranty, please contact your nearest Bricomarché dealer.

Should you have any unanswered questions concerning this Warranty, please contact:

SERVICE CONSOMMATEURS  
BP443  
91164 LONGJUMEAU cedex  
France

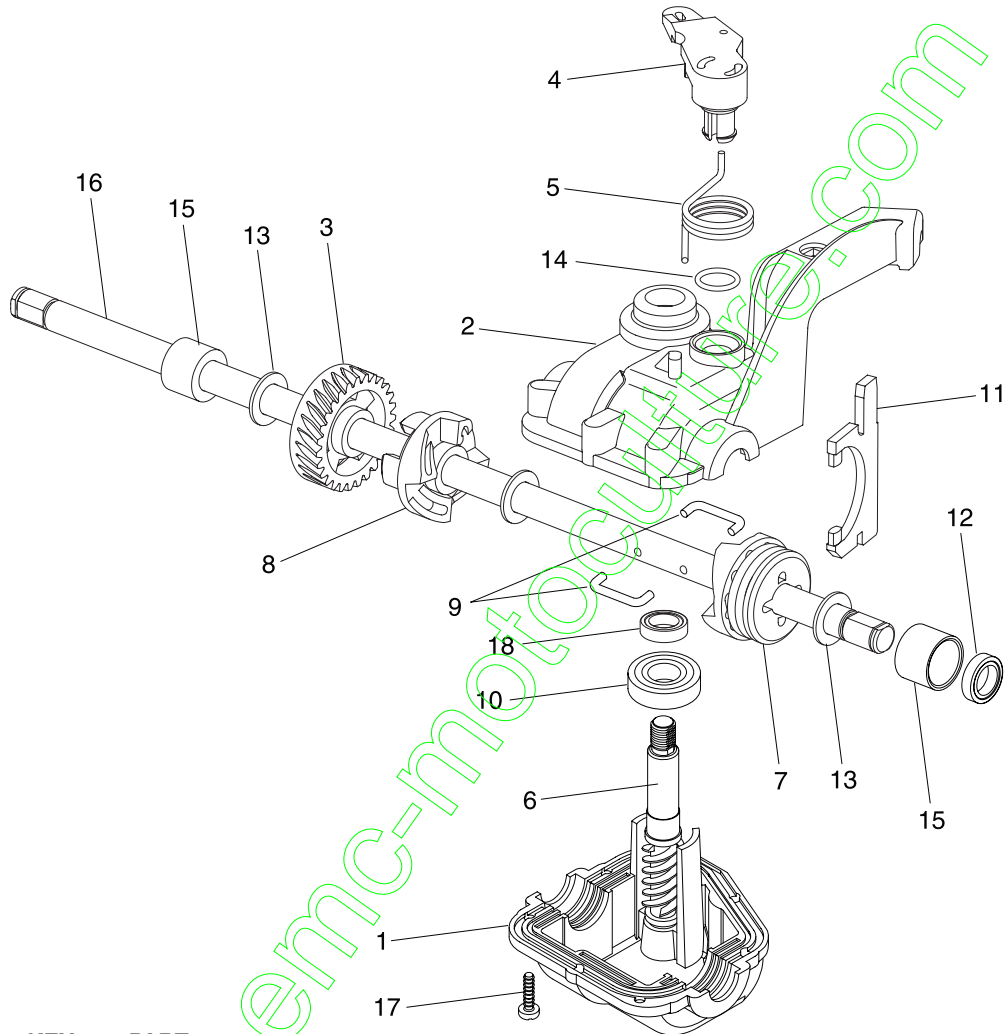
giving the model number, serial number and date of purchase of your product and the name and address of the authorized dealer from whom it was purchased.

**THIS WARRANTY DOES NOT APPLY TO INCIDENTAL OR CONSEQUENTIAL DAMAGES. ANY IMPLIED WARRANTIES ARE LIMITED TO THE SAME TIME PERIODS STATED HEREIN.**

This is a limited Warranty within the meaning of that term as defined in the Magnuson-Moss Act of 1975.

**ROTARY LAWN MOWER - - MODEL NUMBER BM6T56TF  
(PRODUCT NUMBER 964 79 73-00)  
GEARCASE ASSEMBLY - - PART NUMBER 187211**

**TONDEUSE À GAZON ROTATIVE - - NUMÉRO DE MODÈLE BM6T56TF  
(NUMÉRO DE PRODUIT 964 79 73-00)  
ENSEMBLE DE LA BOÎTE DE VITESSE - NUMÉRO DE PIÈCE 187211**



| KEY NO. | PART NO.     | DESCRIPTION        |
|---------|--------------|--------------------|
| 1       | 532 18 34-97 | Case, Lower        |
| 2       | 532 18 34-98 | Case, Upper        |
| 3       | 532 18 34-99 | Gear, 27 Teeth     |
| 4       | 532 18 35-00 | Lever, Clutch      |
| 5       | 532 18 35-01 | Spring, Return     |
| 6       | 532 18 35-02 | Shaft, Input       |
| 7       | 532 18 35-03 | Dog, Movable       |
| 8       | 532 18 35-04 | Dog, Fixed         |
| 9       | 532 18 35-05 | Wire, Formed       |
| 10      | 532 18 35-06 | Bearing, Ball      |
| 11      | 532 18 35-07 | Fork, Shift        |
| 12      | 532 18 35-08 | Seal, Output Shaft |
| 13      | 532 18 35-09 | Washer             |
| 14      | 532 18 35-10 | Seal, Case         |
| 15      | 532 18 35-11 | Bushing            |
| 16      | 532 18 75-21 | Shaft, Output      |
| 17      | 532 18 35-13 | Screw              |
| 18      | 532 18 35-14 | Seal, Input Shaft  |

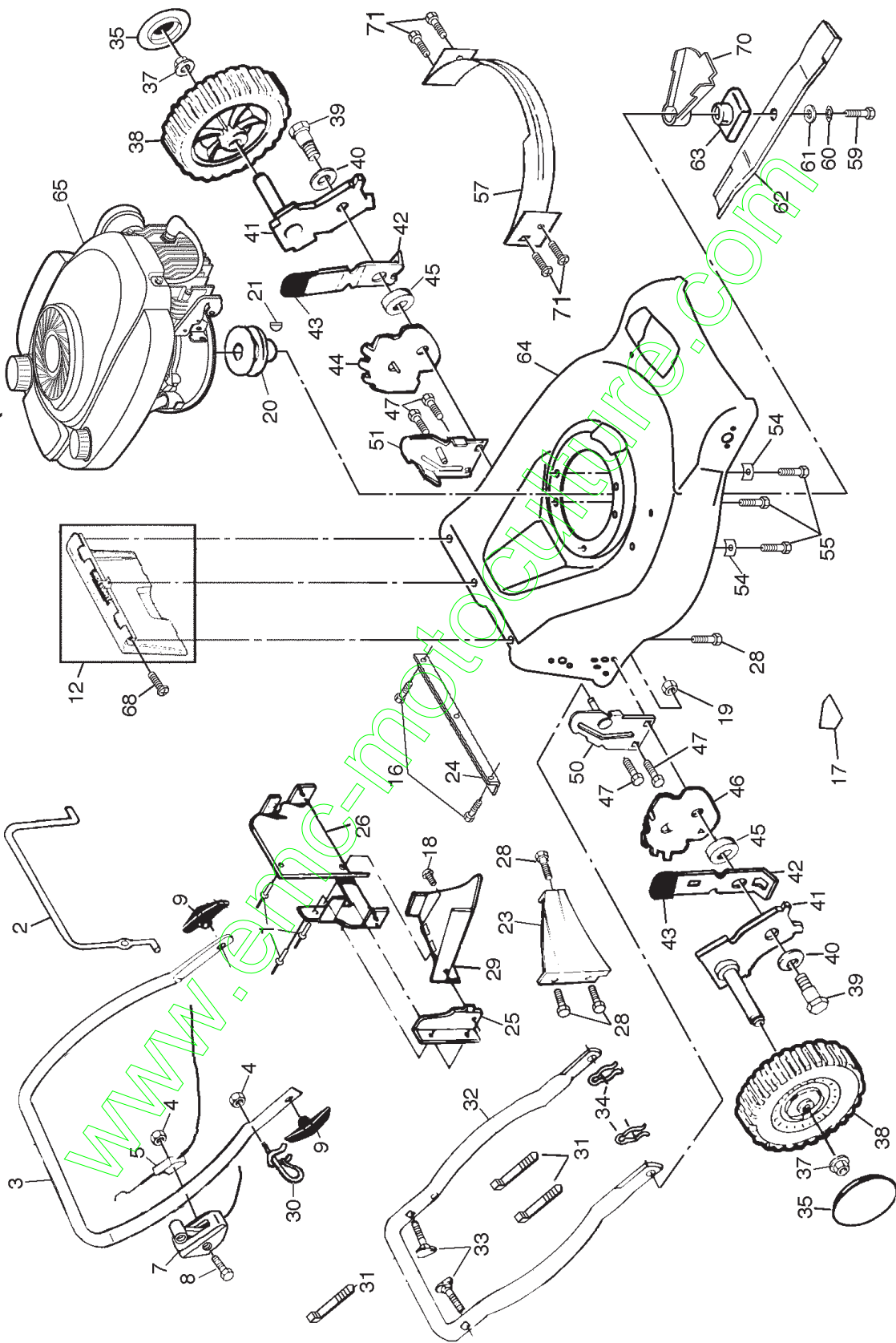
| DESCRIPTION                         |
|-------------------------------------|
| Boîte, Inférieur                    |
| Boîte, Supérieur                    |
| Engrenage, 27 Dents                 |
| Levier d'embrayage                  |
| Ressort de Rappel                   |
| Arbre d'entrée                      |
| Griffe, Amovible                    |
| Griffe, Fixe                        |
| Fil à Pince                         |
| Palier                              |
| Fourchette de Changement de Vitesse |
| Sceau, Arbre de Sortie              |
| Rondelle                            |
| Sceau, Boîte                        |
| Douille                             |
| Arbre de Sortie                     |
| Vis                                 |
| Sceau, Arbre d'entrée               |

**NOTE:** Use Dow Corning #709 to reseal Gear Case Halves.

**REMARQUE:** Utilizer Dow Corning #709 pour Sceau les Boîtes.



TONDEUSE À GAZON ROTATIVE - - NO. DE MODÈLE BM6T56TF (NO. DE PRODUIT 964 79 73-00)





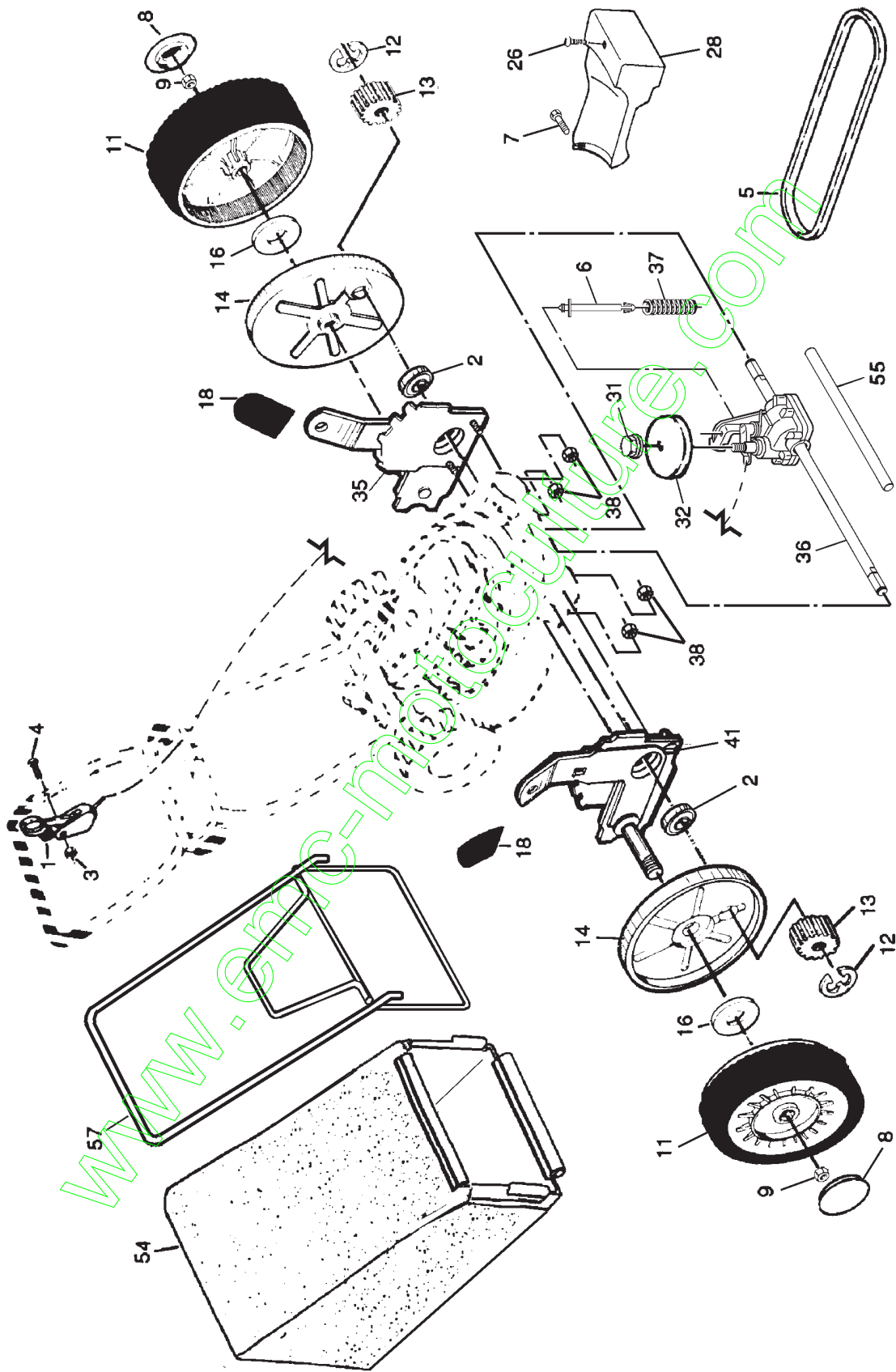
# TONDEUSE À GAZON ROTATIVE - - NO. DE MODÈLE BM6T56TF (NO. DE PRODUIT 964 79 73-00)



| NO. DE RÉF. PIÈCE | NO. DE PIÈCE        | DESCRIPTION  |
|-------------------|---------------------|--|
| 1                 | 532 12 84-15        | Rivet  |
| 2                 | 532 14 67-71        | Barre de Commande  |
| 3                 | <b>532 17 76-98</b> | Guidon Supérieur   |
| 4                 | 532 13 20-04        | Écrou Frein  |
| 5                 | 532 85 16-71        | Câble de Contrôle de Moteur  |
| 7                 | 532 16 30-54        | Commande des Gaz   |
| 8                 | 532 14 49-29        | Vis H 1/4-20 x 2,12  |
| 9                 | 532 13 63-76        | Bouton de Guidon   |
| 12                | 532 15 10-23        | Jeu de la Porte Arrière  |
| 16                | 532 14 66-94        | Vis  |
| 17                | 532 18 21-66        | Décalcomanie de Danger   |
| 18                | 532 15 00-50        | Vis  |
| 19                | 532 75 15-92        | Écrou Frein  |
| 20                | 532 18 49-41        | Poulie de Moteur   |
| 21                | 532 18 77-23        | Clé, Hi-Pro  |
| 23                | <b>532 12 53-48</b> | Chicane Arrière  |
| 24                | <b>532 14 76-25</b> | Protecteur de Pied   |
| 25                | <b>532 13 88-60</b> | Chicane Latérale   |
| 26                | <b>532 16 68-00</b> | Plaque Arrière   |
| 28                | 532 05 45-83        | Vis Taraudée H 1/4-20 x 1/2  |
| 29                | <b>532 18 08-57</b> | Chicane de Décharge  |
| 30                | 532 17 95-85        | Guide de Câble de Démarrage  |
| 31                | 532 06 64-26        | Fil Pince  |
| 32                | <b>532 15 50-44</b> | Guidon Inférieur   |
| 33                | 532 13 19-59        | Boulon de Guidon   |
| 34                | 532 05 17-93        | Goupille en Épingle à Cheveux  |
| 35                | 532 18 63-06        | Chapeau de Moteur  |
| 37                | 532 08 39-23        | Écrou Frein  |
| 38                | 532 15 71-78        | Ensemble de la Roue et du Pneu   |
| 39                | 532 14 27-48        | Boulon à Épaulement  |
| 40                | 532 06 23-35        | Rondelle Belleville  |
| 41                | <b>532 14 98-57</b> | Bras de l'essieu   |
| 42                | <b>532 14 17-30</b> | Lever à Ressort du Dispositif de Relevage des Roues  |
| 43                | 532 08 78-77        | Manchon du Dispositif de Relevage des Roues  |
| 44                | <b>532 14 08-36</b> | Support du Dispositif de Relevage des Roues Arrière, C.G.  |
| 45                | 532 14 66-30        | Entretoise   |
| 46                | <b>532 14 09-96</b> | Support du Dispositif de Relevage des Roues Arrière, C.D.  |
| 47                | 532 15 00-78        | Vis Autotaraudée 5/16-18 x 3/4   |
| 50                | <b>532 15 30-29</b> | Support de Guidon, C.D.  |
| 51                | <b>532 15 30-30</b> | Support de Guidon, C.G.  |
| 54                | <b>532 12 50-78</b> | Rondelle de Moteur   |
| 55                | 532 15 04-06        | Vis à Filets Laminés H 3/8-16 x 1  |
| 57                | 532 17 06-17        | Chicane Antérieure   |
| 59                | 532 85 10-84        | Vis à Métaux H 3/8-24 x 1-3/8 Grade 8  |
| 60                | 532 85 02-63        | Rondelle Frein Hélicoïdale   |
| 61                | 532 85 10-74        | Rondelle Durcie  |
| 62                | 532 14 11-14        | Lame de 22"  |
| 63                | 532 18 45-90        | Adaptateur de Lame   |
| 64                | 532 18 63-07        | Jeu de Boîtier de la Tondeuse  |
| 65                | ---                 | (compris le Numéro de Référence 17)<br>Moteur, Tecumseh, Numéro de Modèle LV195EA<br>(commandez les pièces par suite du fabricant du moteur) |
| 68                | 532 08 86-52        | Vis de Charnière   |
| 70                | 532 18 20-02        | Déflecteur de Débris   |
| 71                | 817 60 04-06        | Vis  |
| --                | 532 17 26-56        | Manuel d'utilisation, Européen   |
| --                | 532 17 26-58        | Manuel d'utilisation, Portugaise   |
| --                | 532 17 32-40        | Manuel d'utilisation, Polish   |
| --                | 532 18 97-29        | Manuel des Pièces de Rechange, Français / Anglais  |

**REMARQUE:** Toutes les dimensions de composant sont données en pouces É.-U.  
1 pouce = 25,4 mm.

TONDEUSE À GAZON ROTATIVE - - NO. DE MODÈLE BM6T56TF (NO. DE PRODUIT 964 79 73-00)



# TONDEUSE À GAZON ROTATIVE - - NO. DE MODÈLE BM6T56TF (NO. DE PRODUIT 964 79 73-00)



| NO. DE RÉF. PIÈCE | NO. DE DESCRIPTION  | NO. DE DESCRIPTION                          |   |
|-------------------|---------------------|---|---|
| 1                 | 532 18 45-96        | Commande de Traction                        |   |
| 2                 | 532 16 73-87        | Palier                                      |   |
| 3                 | <b>532 19 17-30</b> | Écrou Frein 1/4-20                          |   |
| 4                 | 532 14 49-29        | Vis H 1/4-20 x 1-1/8                        |   |
| 5                 | 532 14 65-27        | Courroie Trapézoïdale                       |   |
| 6                 | 532 15 04-95        | Ressort de Retenue                          |   |
| 7                 | 532 14 97-46        | Vis Taraudée à Tôle #10-24 x 1-3/4          |   |
| 8                 | 532 18 63-06        | Chapeau de Moyeu                            |   |
| 9                 | 532 14 52-12        | Écrou Frein                                 |   |
| 11                | 532 18 07-67        | Ensemble de la Roue et du Pneu              |   |
| 12                | 812 00 00-58        | Bague en E                                  |   |
| 13                | 532 13 70-54        | Pignon                                      |   |
| 14                | 532 18 05-04        | Cache-poussoière                            |   |
| 16                | 532 06 77-25        | Rondelle 1/2 x 1-1/2 x 0,134                |   |
| 18                | 532 08 78-77        | Manchon du Dispositif de Relevage des Roues |   |
| 26                | 532 14 60-72        | Vis Taraudée à Tôle #10-24 x 2-3/4          |   |
| 28                | 532 13 70-81        | Couverture d'entraînement                   |   |
|                   | 31                  | 532 13 20-10                                | Écrou Frein   |
|                   | 32                  | 532 18 94-07                                | Poulie d'entraînement   |
|                   | 35                  | 532 15 20-18                                | Jeu, Ensemble de Dispositif de Relevage des Roues, C.G. (Y compris le Manchon et le Palier) |
|                   | 36                  | 532 18 72-11                                | Ensemble de la Boîte de Vitesses (Voir le Boîte de Vitesses)                                |
|                   | 37                  | 532 13 70-90                                | Ressort   |
|                   | 38                  | 873 80 04-00                                | Écrou Frein   |
|                   | 41                  | 532 15 20-19                                | Jeu, Ensemble de Dispositif de Relevage des Roues, C.D. (Y compris le Manchon et le Palier) |
|                   | 54                  | 532 18 98-73                                | Sac de Décharge   |
|                   | 55                  | 532 08 60-12                                | Couverture de l'arbre Moteur  |
|                   | 57                  | 532 14 95-55                                | Cadre de Sac de Décharge  |
|                   | --                  | 532 18 21 34                                | Décalcomanie d'entraînement   |

**REMARQUE:** Toutes les dimensions de composant sont données en pouces (É.-U.)  
1 pouce = 25,4 mm.

Félicitations de votre achat d'une tondeuse à gazon. Elle a été conçue, perfectionnée, et fabriquée pour assurer le meilleur rendement et la sûreté maximum.

## GARANTIE LIMITÉE

Le Fabricant garantit son produit à l'acheteur initial comme exempt de tout défaut de matière et de fabrication. Pendant un (1) an, à compter de la date d'achat de la part de l'acheteur initial, nous réparerons ou remplacerons à notre choix, gratuitement, toute pièce, sur laquelle nous estimerons qu'il existe un défaut de matière ou de fabrication. Cette garantie est soumise aux limitations suivantes et exceptions:

1. Cette garantie ne couvre pas le moteur. Veuillez consulter votre point de vente Bricomarché qui dirigera la machine chez le fabricant du moteur.
2. L'acheteur est responsable du coût du transport de tous les équipements actionnés par moteur ou les accessoires. L'acheteur est responsable du coût aussi du transport de toutes les pièces (couvertes par cette garantie) soumis pour le remplacement à moins que Bricomarché demande à l'acheteur de renvoyer les pièces.
3. Garantie de la batterie: Pour les produits équipés d'une batterie, nous remplacerons, gratuitement, toute batterie estimée défectueuse pendant les quatre-vingt-dix (90) jours initiaux suivant l'achat. Après quatre-vingt-dix (90) jours, nous échangerons la batterie, le coût pour vous être 1/12 du prix d'une nouvelle batterie pour chaque mois complet à compter de la date d'achat initiale. La batterie doit être entretenue selon les directives données dans la documentation appropriée.
4. La période de garantie applicable aux produits proposés en location ou à des fins commerciales est limitée à quarante-cinq (45) jours à compter de la date d'achat initiale.
5. Cette garantie ne s'applique qu'aux produits correctement montés, réglés, utilisés et entretenus conformément aux instructions données dans la documentation appropriée. Cette garantie ne s'applique pas aux produits qui ont été modifiés, utilisés incorrectement, abusés, mal assemblés, mal installés ou avariés lors de la livraison ou usage normal.
6. Exclusions: Les courroies, les lames, les adaptateurs de lame, l'usage normal, les réglages normaux, la visserie standard, et l'entretien normal sont exclus de cette garantie.
7. En cas de problème entrant dans le cadre de cette garantie, veuillez contacter votre point de vente Bricomarché.

Pour toute question à ce sujet, veuillez-vous communiquer avec:

en nous donnant le numéro du modèle, le numéro de série, la date d'achat de votre machine ainsi que l'adresse du concessionnaire autorisé chez qui vous l'avez acheté.

SERVICE CONSOMMATEURS  
BP443  
91164 LONGJUMEAU cedex  
France

CETTE GARANTIE NE S'APPLIQUE PAS AUX DOMMAGES ACCIDENTELS. TOUTES GARANTIES IMPLICITES SONT LIMITÉES AUX MEMES PERIODES DE TEMPS. Ceci est une garantie limitée telle que définie dans la loi américaine Magnuson-Moss de 1975

# **BESTGREEN**