

TONDEUSE THERMIQUE TRACTEE
« HI WHEELS »

« BESTGREEN »
SERIE OR

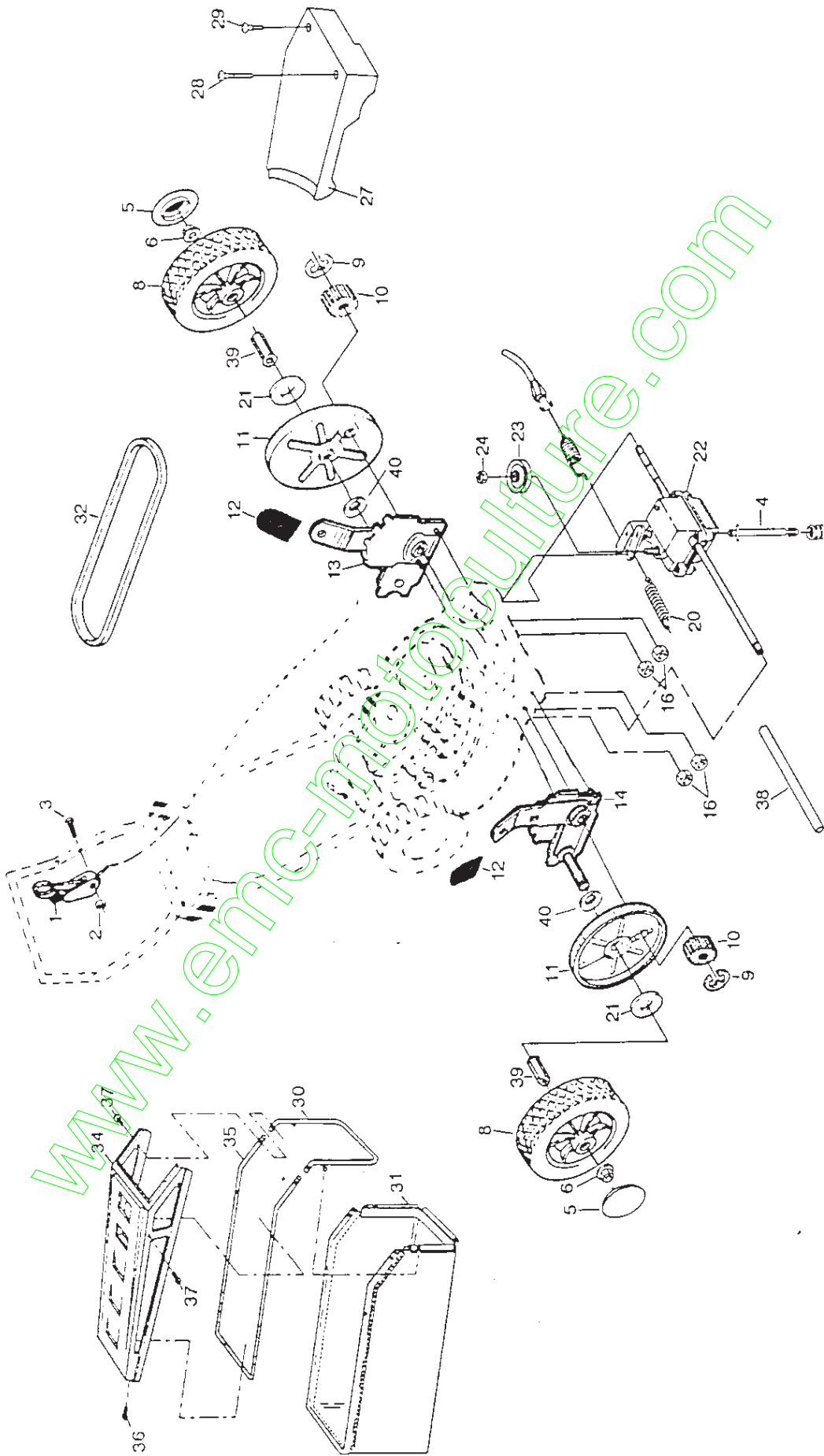
| | |
|-----------------------|---|
| REFERENCE : | BM 6 TGR |
| TYPE : | TRACTEE AVANT |
| CARTER : | ACIER |
| MOTEUR : | BRIGGS & STRATTON QUANTUM XM |
| PUISSANCE/CYLINDREE : | 6 CV - 190 CC - |
| LARGEUR DE COUPE : | 56 CM - SYSTEME 3 EN 1 |
| HAUTEUR DE COUPE : | 9 HAUTEURS - DE 30 à 90 mm |
| EJECTION : | ARRIERE - LATERALE - KIT MULCHING |
| RAMASSAGE : | BAC EN TOILE DE 76 L - DESSUS RIGIDE |
| ROUES : | GRANDES ROUES ARRIERE (Diam. 41 CM) ROULEMENT A BILLES |
| GUIDON : | 2 POSITIONS - ORNE DE MOUSSE |
| COLORIS : | VERT |
| SURFACE IDEALE : | 1800 A 2500 M ² |
| GARANTIE : | 2 ANS |
| S.A.V. : | B.G.S |
| TYPE CARBURANT : | SUPER OU SANS PLOMB AVEC ADDITIF |

EQUIPEE DU SYSTEME 3 EN 1

TRES UTILE POUR LES TERRAINS DIFFICILES OU PENTUS

REPAIR PARTS

ROTARY LAWN MOWER -- MODEL NO. BM6TGRA



REPAIR PARTS

ROTARY LAWN MOWER -- MODEL NO. BM6TGRA

| KEY NO. | PART NO. | DESCRIPTION | KEY NO. | PART NO. | DESCRIPTION |
|---------|----------|------------------------------------|---------|----------|---------------------------------------|
| 1 | 146323 | Drive Control | 23 | 137052 | Drive Pulley |
| 2 | 63601 | Locknut #10-24 | 24 | 132010 | Locknut |
| 3 | 144929 | Hex Washer Hd Screw #10-24 x 2-1/8 | 27 | 137081 | Drive Cover |
| 4 | 150495 | Spring Retainer | 28 | 146072 | Pan Head Tapping Screw #10-24 x 2-3/4 |
| 5 | 150182 | Hubcap | 29 | 149746 | Pan Head Tapping Screw #10-24 x 1-3/4 |
| 6 | 145212 | Flanged Locknut | 30 | 851735 | Catcher Frame |
| 8 | 157179 | Wheel & Tire Assembly | 31 | 129256 | Grass Bag |
| 9 | 12000058 | E-ring | 32 | 146527 | V-Belt |
| 10 | 137054 | Pinion | 34 | 851739 | Catcher Top |
| 11 | 88080 | Dust Cover | 35 | 851658 | Tube Catcher |
| 12 | 87877 | Selector Knob | 36 | 131029 | Screw-Hex Washer #10-24 x .680 |
| 13 | 151520 | Wheel Adjuster Assembly (Left) | 37 | 750634 | Screw Threads Roll #10-24 x 1/2 |
| 14 | 151521 | Wheel Adjuster Assembly (Right) | 38 | 86012 | Drive Shaft Cover |
| 16 | 63601 | Locknut | 39 | 88446 | Wheel Bushing |
| 18 | 137090 | Spring | 40 | 57143 | Wave Washer |
| 20 | 75192 | Spring | -- | 157862 | Drive Cover Decal |
| 21 | 67725 | Washer 1/2 x 1-1/2 x .134 | | | |
| 22 | 702511 | Gear Case Assembly | | | |

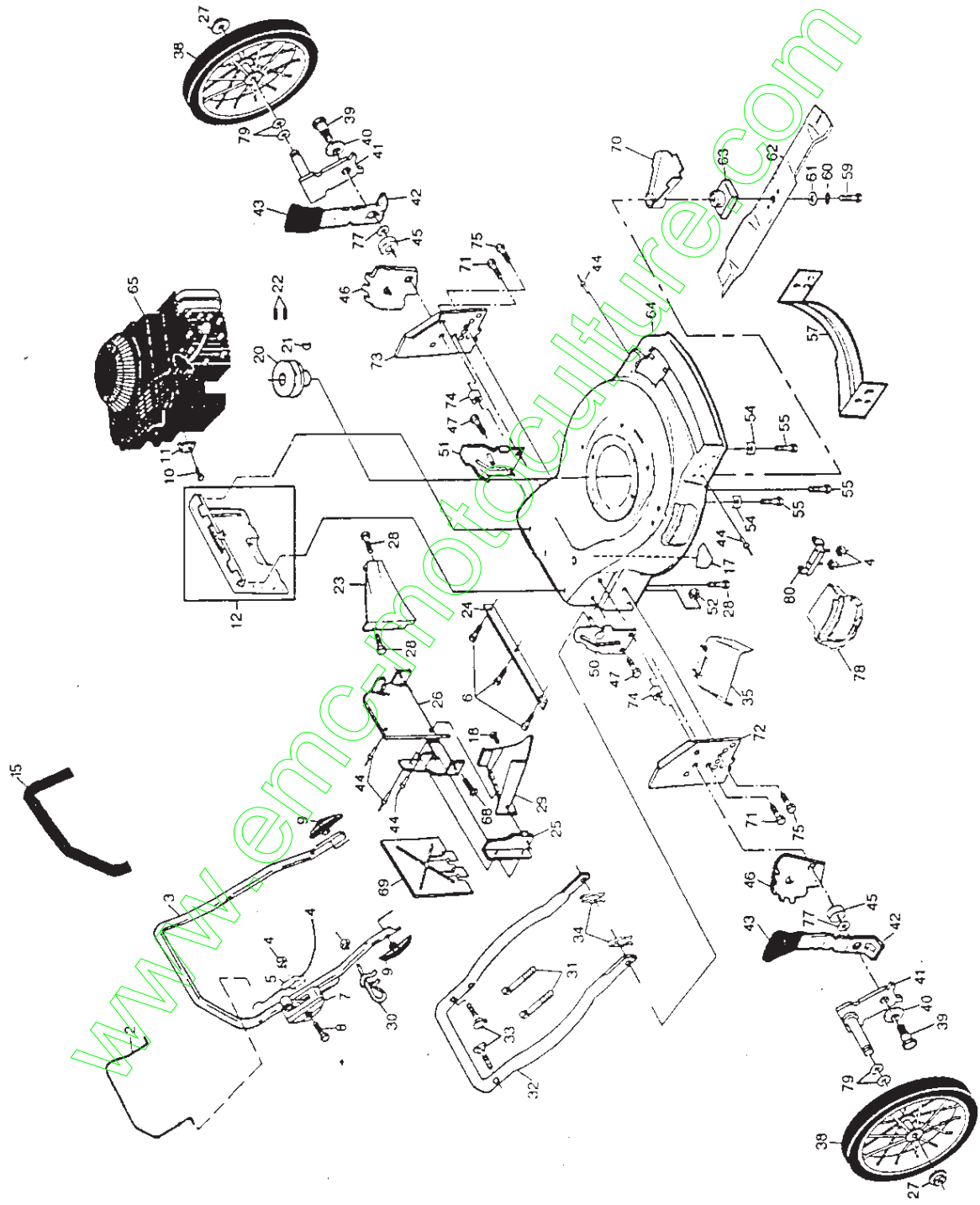
www.emc-mowerculture.com

↳ Replace for 532048367 (656 F 96) HT

Support & et D 191,99

REPAIR PARTS

ROTARY LAWN MOWER -- MODEL NO. BM6TGRA



REPAIR PARTS

ROTARY LAWN MOWER -- MODEL NO. BM6TGRA

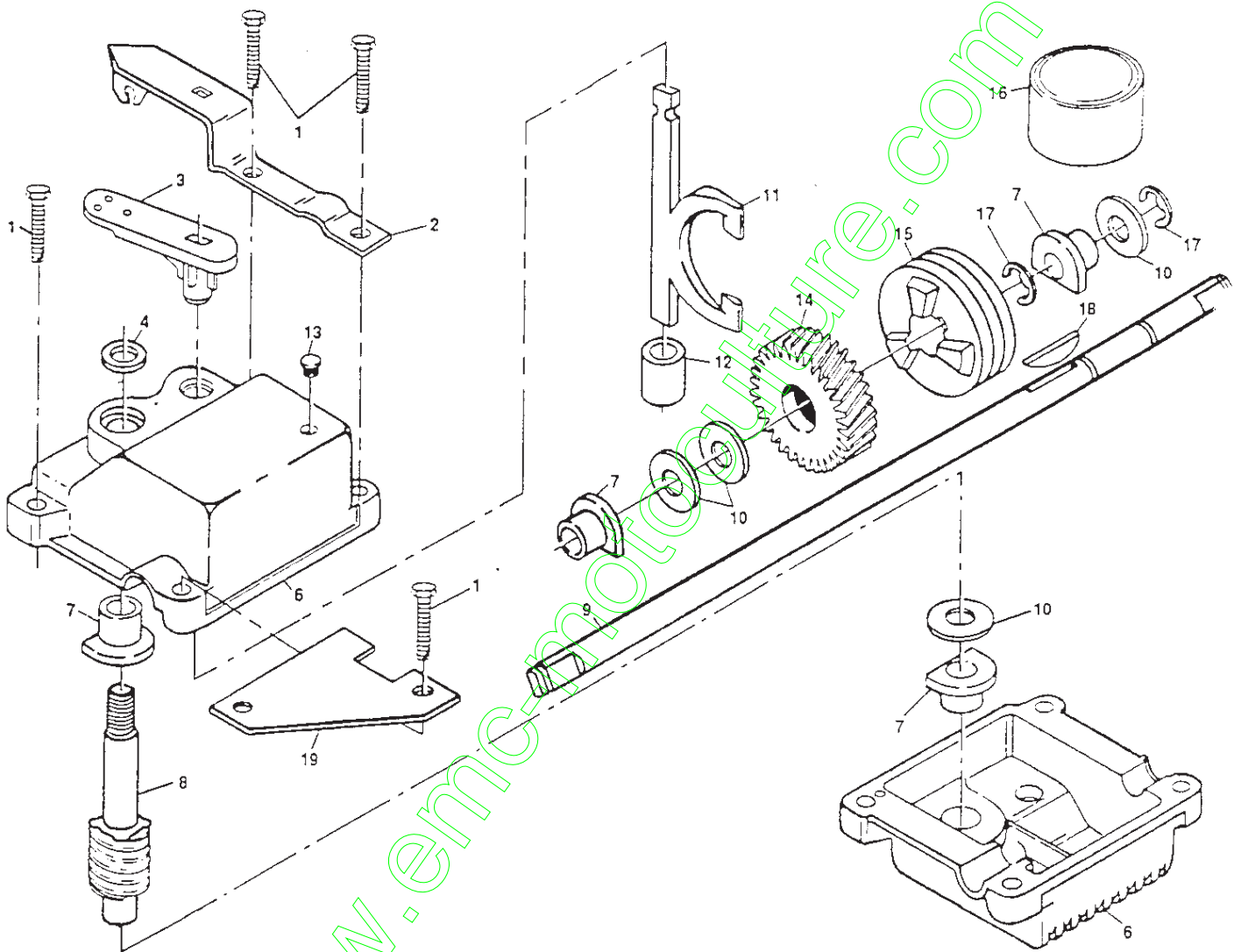
| KEY NO. | PART NO. | DESCRIPTION | KEY NO. | PART NO. | DESCRIPTION |
|---------|------------|--------------------------------------|---------|------------|--|
| 2 | 145794 | Control Bar | 44 | 128415 | Pop Rivet |
| 3 | 145640X479 | Upper Handle | 45 | 146630 | Spacer |
| 4 | 63601 | Locknut | 46 | 700325X007 | Wheel Adjusting Bracket |
| 5 | 130861 | Engine Zone Control Cable | 47 | 150078 | Self-tapping Screw 5/16-18 x 3/4 |
| 6 | 146694 | Screw (Foot Guard) | 50 | 701921X479 | Handle Bracket (Right) |
| 7 | 700417 | Throttle Control | 51 | 701923X479 | Handle Bracket (Left) |
| 8 | 144929 | Hex Washer Head Screw 1/4-20 x 2-1/4 | 52 | 751592 | Locknut 3/8-16 |
| 9 | 136376 | Handle Knob | 54 | 851201X004 | Engine Washer |
| 10 | 83816 | Screw #10 x 5/8 | 55 | 150406 | Hex Head Thread Rolling Screw 3/8-16 x 1-1/8 |
| 11 | 111190X | Cable Clamp (Engine) | 57 | 702682X479 | Front Baffle |
| 12 | 147615 | Rear Door Kit | 59 | 851084 | Hex Head Machine Screw 3/8-24 x 1-3/8 Gr. 8 |
| 15 | 850724 | Foam Grip | 60 | 850263 | Helical Lock Washer |
| 17 | 145494 | Danger Decal | 62 | 141114 | Hardened Washer |
| 18 | 150050 | Screw | 63 | 851514 | Blade 22" |
| 20 | 84596 | Engine Pulley | 64 | 151783 | Blade Adapter |
| 21 | 87677 | Hi Pro Key #505 | 65 | --- | Lawn Mower Housing Kit (Includes Key No. 17) |
| 22 | 59708 | Set Screw 1/4-20 x 5/16 | 68 | 88652 | Hinge Screw |
| 23 | 133040X479 | Baffle, Rear | 69 | 133170X479 | Mulcher Plate |
| 24 | 146143X479 | Foot Guard | 70 | 134612 | Debris Shield |
| 25 | 700365X479 | Side Baffle | 71 | 149588 | Thread Cutting Screw 5/16 - 18 x 1-1/5 |
| 26 | 146688X479 | Back Plate | 72 | 107641X479 | Support Bracket (RH) |
| 27 | 83923 | Flanged Locknut | 73 | 107640X479 | Support Bracket (LH) |
| 28 | 54583 | Screw Hex Head 1/4-20 x 1/2 | 74 | 73713 | Spacer |
| 29 | 133190X479 | Discharge Baffle | 75 | 74760612 | Bolt |
| 30 | 132001 | Rope Guide | 77 | 88348 | Flat Washer |
| 31 | 66426 | Wire Tie | 78 | 148195 | Combi-cut Door |
| 32 | 151721X479 | Lower Handle | 79 | 57143 | Wave Washer |
| 33 | 131959 | Handle Bolt | 80 | 147775 | Hinge Bracket |
| 34 | 51793 | Hairpin Cotter | -- | 146983 | Operator's Manual(English) |
| 35 | 145285 | Clip-on Discharge Deflector | -- | 146984 | Operator's Manual(French) |
| 38 | 700735 | Wheel & Tire Assembly | -- | 157354 | Replacement Parts Manual |
| 39 | 142748 | Shoulder Bolt | | | |
| 40 | 61651 | Spring Washer | | | |
| 41 | 851119X004 | Axle Arm | | | |
| 42 | 700331X004 | Selector Spring | | | |
| 43 | 87877 | Selector Knob | | | |

* These parts must be purchased through an authorized Briggs & Stratton dealer.

REPAIR PARTS

POWER PROPELLED LAWN MOWER - - MODEL NO. BM6TGRA

GEAR CASE ASSEMBLY PART NUMBER 702511



| KEY NO. | PART NO. | DESCRIPTION |
|---------|------------|--|
| 1 | 17490416 | Tapping Screw 1/4-20 x 1-1/4 |
| 2 | 137055X004 | Engagement Bracket |
| 3 | 137053 | Shifter |
| 4 | 57072 | Seal |
| 6 | 48373 | Gear Case Halves Kit (Includes Key Nos. 4, 5, and 7) |
| 7 | 77881 | Bearing |
| 8 | 137051 | Worm Shaft |
| 9 | 137074 | Drive Shaft |
| 10 | 57079 | Hardened Washer |

| KEY NO. | PART NO. | DESCRIPTION |
|---------|-----------|----------------|
| 11 | 131484 | Clutch Yoke |
| 12 | 700343 | Bushing |
| 13 | 86447 | Plug |
| 14 | 137050 | Helical Gear |
| 15 | 750436X | Clutch Jaw |
| 16 | 750369 | Grease |
| 17 | 12000003 | E-Ring |
| 18 | 850848 | Hi-Pro Key |
| 19 | 81585X004 | Spring Bracket |

NOTE: All component dimensions given in U.S. inches.
1 inch = 25.4 mm