

FIGURE 1

C 1	FIGURE 3	B 23	● 229809	1	43	241223	1	63	241416	38-40 cc.	1
2	247936	B 24	● 229743	1	44	235218	1	64	236322		1
3	● 235900	C 25	● 235675	1	C 45	241283	1	65	241241		1
4	● 235899	A 26	240452	1	B 46	● 227194	1	66	240688	M5X14	2
C 5	● 228872	B 27	236563	1	A 47	● 227703	1	67	236956		2
6	247935	A 28	● 236564	1	48	● 240884	1	68	94273	46 cc.	1
7	● 235899	B 29	241213	1	49	● 227467	1				
8	● 235900	30	235807	M5x45	2	B 50	● 227300	1			
C 9	● 228872	31	241212		1	B 51	● 240492	1			
10	235806	32	227924		2	B 52	● 227470	1			
11	228139	33	241211		1	53	● 240485	1			
12	241279	C 34	FIGURE 5			54	241248	4			
B 13	247937	A 35	241281		1	55	236527	M6x16	4		
14	● 241269	36	235803	M5x25	2	C 56	241280	38-40 cc.	1		
C 15	● 241270	37	235248		4		241414	46 cc.	1		
16	235218	C 38	241481		1	C 57	241432		1		
17	241240	C 39	241428		1	58	● 227236		1		
18	235806	40	241266	38-40 cc.	1	59	● 227274	M5X60	2		
C 19	241298		241267	46 cc.	1	60	227565	MSX25	4		
20	235807	C 41	● 235742	38-40 cc.	1	A 61	92879		1		
21	235804	C	227329	46 cc.	1	62	241187	38-40 cc.	1		
C 22	241282	C 42	227631		1		241430	46 cc.	1		

A = high moving - alta rotazione - haute demande - große Nachfrage B = medium moving - media rotazione - moyenne demande - mittelmäßige Nachfrage C = slow moving - bassa rotazione - basse demande - wenige Nachfrage

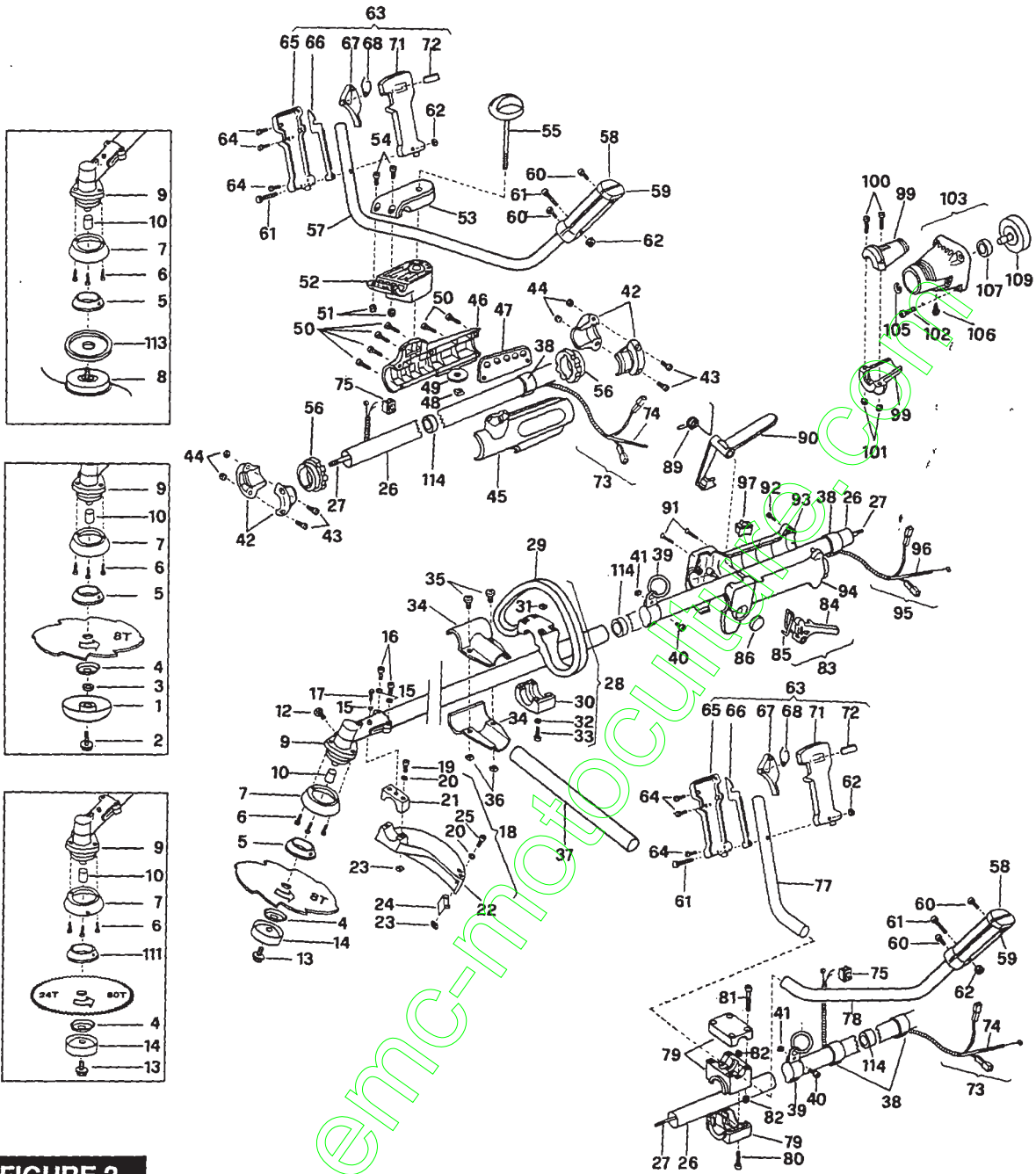


FIGURE 2

A	1	240809B	1	24	● 224497-01	1	46	240941	1	68	● 240091	1	C	95	● 241440	1	
A	2	240806	1	25	● 235802 M5x14	2	47	240966	1	71	● 241294	1	C	96	● 241441	1	
	3	240807	1	26	240830	1	48	241003	1	72	● 241292	1	C	97	● 236394	1	
A	4	229834	1	27	229829	1	49	241004	1	C	73	● 241410	1		99	240935	2
A	5	229833	1	28	236999	1	50	241002	6	C	74	● 241424	1		100	235530 M5x35	2
	6	240688 M5x14	3	29	● 236808	1	51	235216	2	C	75	● 236394	1		101	235216	2
B	7	240767	1	30	● 236809	1	52	240967	1		77	229831	1		102	236527 M6x16	4
A	8	FIGURE 4		31	● 236642	4	53	240968	1		78	229832	1		103	240905 38 cc.	1
	9	240824	1	32	● 236936	4	54	227563 M5x16	2		79	240017	1			241417 40-46 cc.	1
	10	● 247272	1	33	● 228320 M6x45	4	55	240971	1		80	● 235921 M6x30	2	C	105	● 236378	1
	12	● 240151 M8x10	1	34	240682	2	56	240970	2		81	● 236558 M6x40	4		106	● 236381 40-46 cc.	1
A	13	229842 M10x16	1	35	235911 M6x12	2	57	241010	1		82	● 235912	6	C	107	● 235918 40-46 cc.	1
A	14	236596	1	36	236642	2	58	229985	1		83	241439	1	C	109	● 227284	1
	15	236529	3	37	246864	1	59	229984	1		84	● 240042	1	A	111	240936	1
	16	235804 M5x30	2	38	229849	2	60	240833	2		85	● 235932	1		113	241155	1
	17	236381 M5x10	1	39	236602	1	61	235804 M5x30	2		86	● 241297	1		114	236383	5
B	18	247209	1	40	235911 M6x12	1	62	235216	2		89	● 240043	1				
	19	● 235806 M5x2D	2	41	236642	1	63	241406	1		90	● 240041	1				
	20	● 235248	4	42	240969	4	64	● 240833	5		91	● 240617	2				
	21	● 240870	1	43	227563 M5x16	4	65	● 241293	1		92	● 240618	4				
B	22	● 240932	1	44	235216	4	66	● 229820	1		93	● 240039	1				
	23	● 236732	4	45	240942	1	67	● 241295	1		94	● 240040	1				

A = high moving - alta rotazione - haute demande - große Nachfrage B = medium moving - media rotazione - moyenne demande - mittelmäßige Nachfrage C = slow moving - bassa rotazione - basse demande - wenige Nachfrage

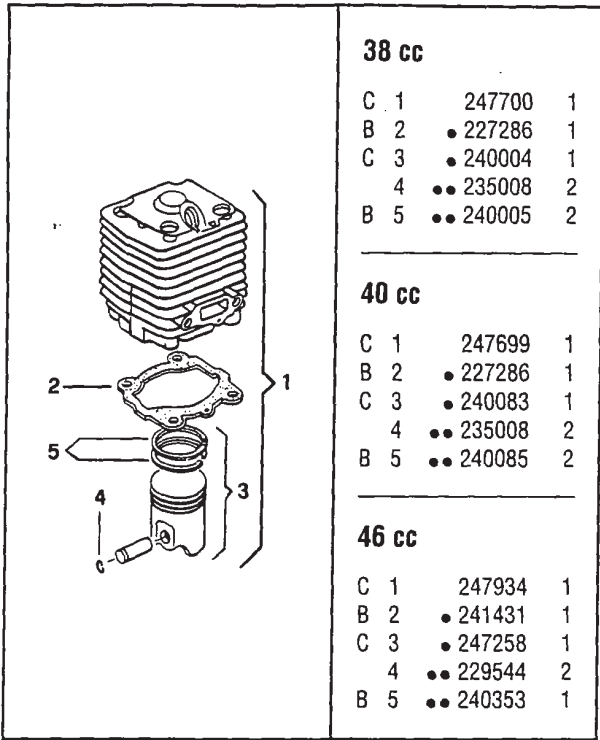


FIGURE 3

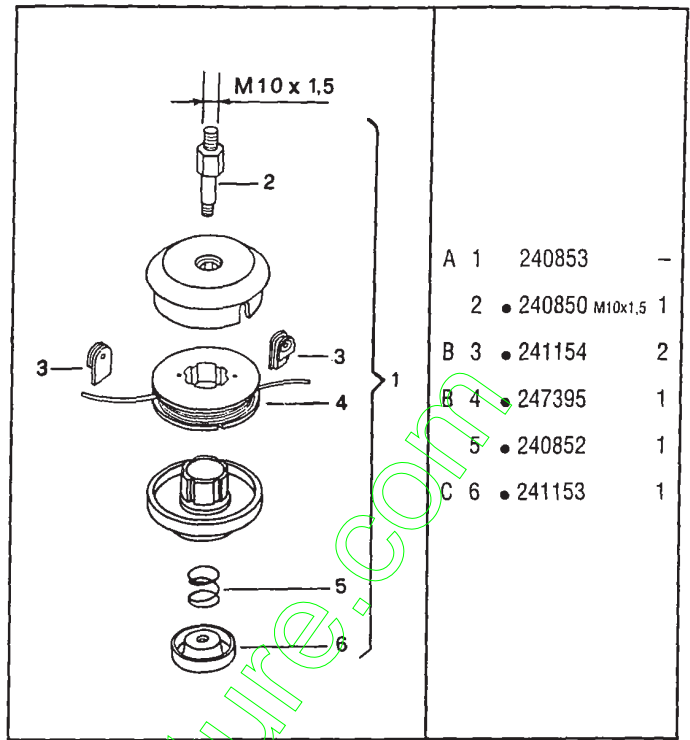


FIGURE 4

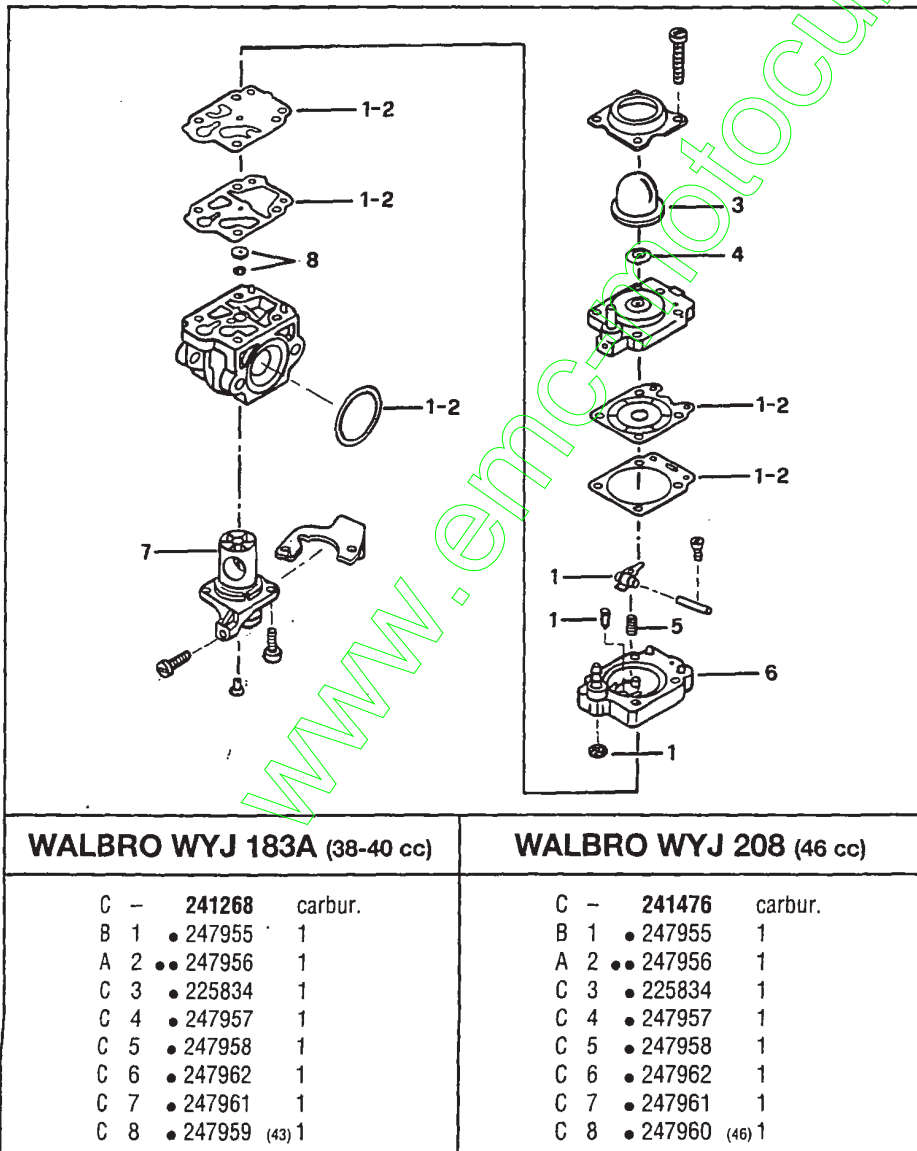


FIGURE 5

A = high moving - alta rotazione - haute demande - große Nachfrage
 B = medium moving - media rotazione - moyenne demande - mittelmäßige Nachfrage
 C = slow moving - bassa rotazione - basse demande - wenige Nachfrage