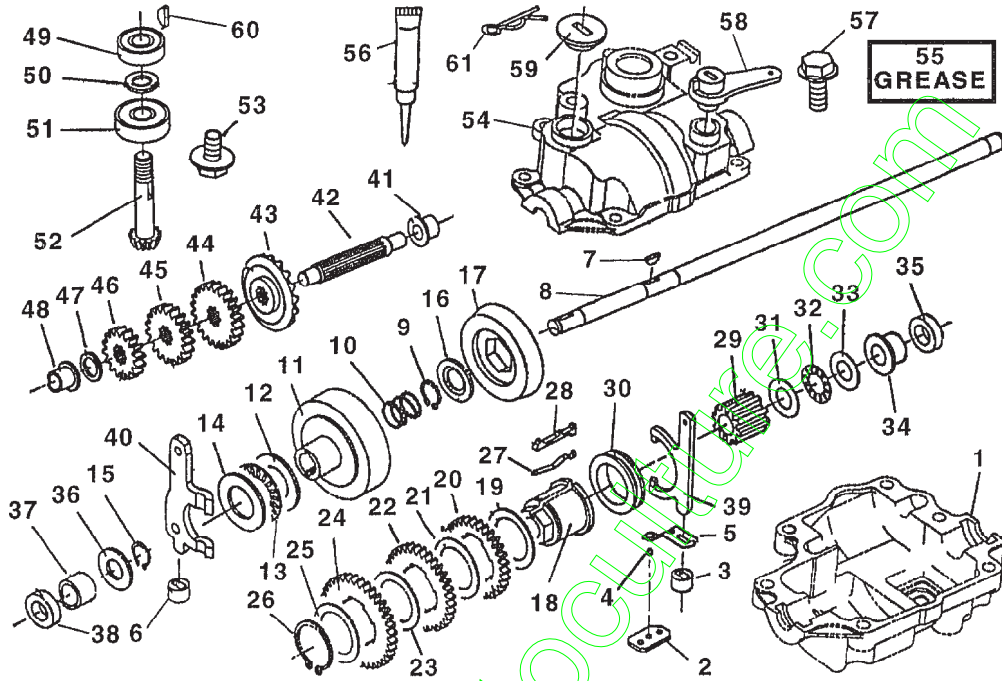


### ROTARY LAWN MOWER MODEL NUMBER BR4V876A GEAR CASE ASSEMBLY 145085



**NOTE.** All component dimensions given in U S inches  
1 inch = 25.4 mm

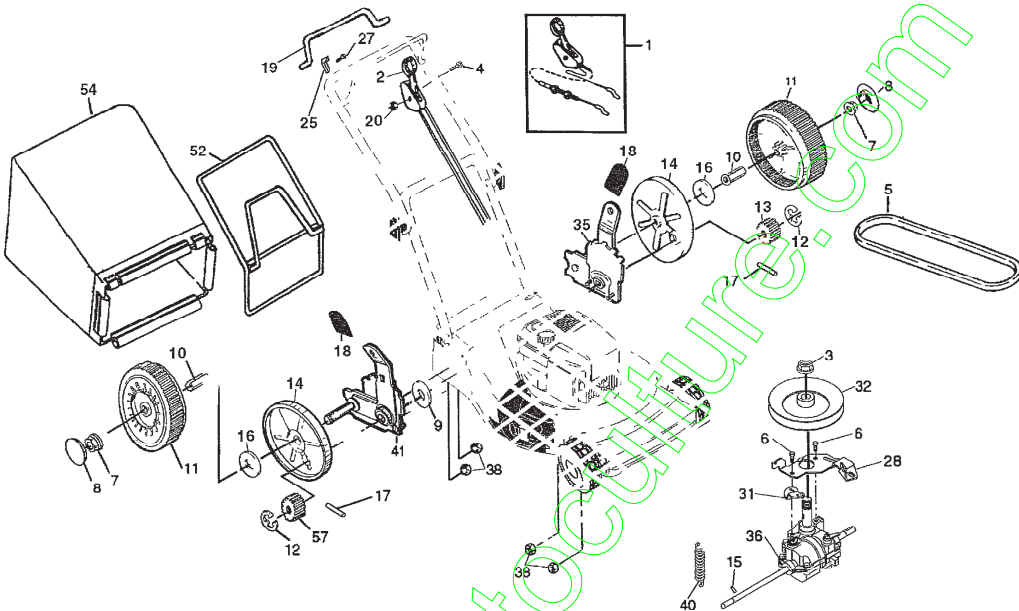
www.emc-motocycle.com

Ref #	Part Number	Qty	Description
	145085		TRANS.3SP.RWGD
1	148145		CASEL.19215624140
2	148123		PLATE.19217127180
3	148118		SUPT.19215027140
4	148135		BALL.24190040001
5	148122		SPRIN.19215027170
6	148132		SUPT.19215627360
7	148093		KEY.W.19215125130
8	148114		AXLE.19215685390
9	148095		RING.19215125350
10	148109		SPRIN.19215625500
11	148102		CONE.19215625410
12	148112		WASHE.19215625540
13	148108		NEEDL.19215625480
14	148112		WASHE.19215625540
15	148095		RING.19215125350
16	148096		WASHE.19215125360
17	148103		CONE.19215625440
18	148101		COLLA.19215625400
19	148097		WASHE.19215025370
20	148090		GEAR.19215025351
21	148097		WASHE.19215025370
22	148083		GEAR.19215025341
23	148097		WASHE.19215025370
24	148075		GEAR.19215025331
25	148097		WASHE.19215025370
26	148113		RING.22242000280
27	148119		SPRIN.19217127151
28	148121		KEY.W.19217127160
29	148098		SUPT.19217125380
30	148115		COLLR.19215027111
31	148111		WASH.19215625520
32	148110		NEEDL.19215625510
33	148111		WASH.19215625520
34	148106		BUSH.19215625460
35	148107		SEAL.19215625471
36	148096		WASHE.19215125360
37	148104		BUSH.19215025452
38	148107		SEAL.19215625471
39	148116		FORK.19217127120
40	148124		FORK.19215627310
41	148069		BUSH.19215025280
42	148065		SHAFT.19215625200
43	148066		RING.19215125210
44	148089		GEAR.19215025251
45	148080		GEAR.19215025241
46	148072		GEAR.19215025231
47	148067		WASH.19215125280
48	148069		BUSH.19215025280
49	148141		BEAR.24102060004
50	148139		WASH.22117100000
51	148140		BEAR.24101062004
52	148137		SHAFT.19215025110
53	148146		SCREW.19215125120
54	148144		CASEU.19215624130
56	148142		SEALA.19485524020
57	148147		SCREW.26476060162
58	148117		ARM.19215627130
59	148127		SUPT.19215627350
60	148138		KEY.W.19215125120

Ref #	Part Number	Qty	Description
60	148138		KEY.W.19215125120
61	148133		PIN.22372140000

[www.emc-motoculture.com](http://www.emc-motoculture.com)

ROTARY LAWN MOWER MODEL NUMBER BR4V876A

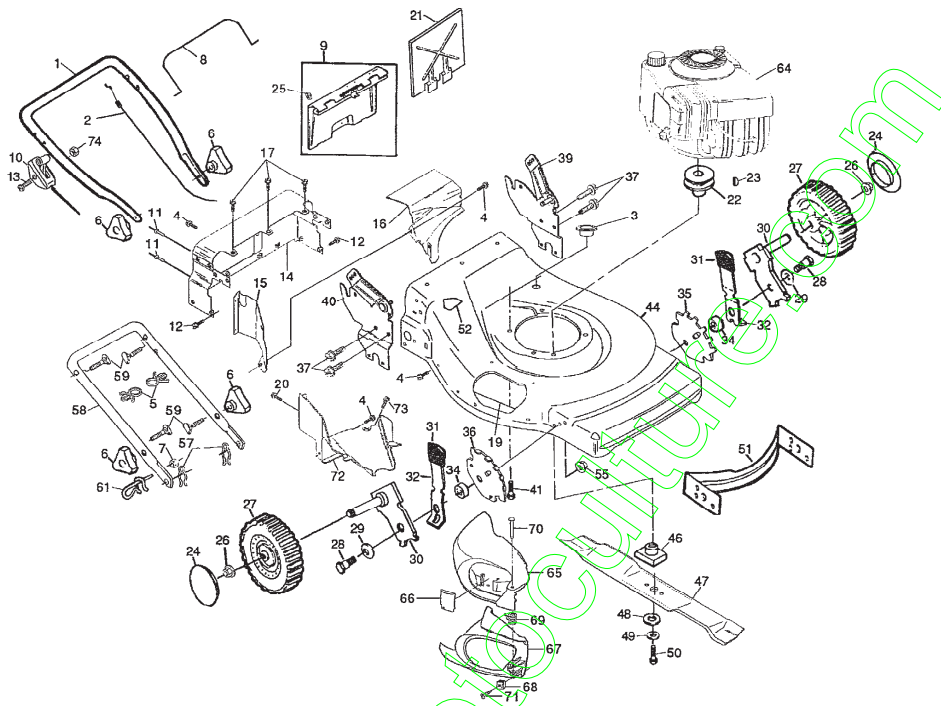


www.emc-motoculture.com

Ref #	Part Number	Qty	Description
1	145088		SUB= 158896
2	147715		SUB= 158896
3	M73031000		NUT.HXWSH.METRIC
4	144929		SCREW.HXHD.WASH.
5	145084		BELT.V.RWGD.
6	146315		SCREW.HXHD.TAPTIE
7	145212		NUT.HXFLG.LOCK.
8	77400		HUB CAP
9	57079		THRUST WASHER
10	86960		BUSHING.ROUND
11	700953		WHEEL.8X2.LP.PR
12	12000058		E-RING.7/16.RE.
13	850017		DR PINION LH
14	88080		DUST SHROUD PM
15	145354		PIN.SPRING.THRUST
16	67725		WASHER FLUT
17	851980		DRIVE PAWL
18	701037		KNOB HDL ERGO DLX
19	145071		BAIL.CNTRL.DRIVE
20	751152		LOCKNUT
25	850733X004		"BRKT,UPSTOP"
27	750097		TAPPING SCREW
28	145096X004		BRACKET.GCASE.ENG
31	145842X004		LEVER.CLUTCH.ENG
32	145093		PULLEY.DRIVEN.RGD
35	152383		WHEEL ADJ ASSY LH
36	145085		TRANS.3SP.RWGD
38	STD541425		LOCKNUT
40	144902		SPRING.BELT.TENS.
41	152382		WHEEL ADJ ASSY RH
52	150224		FRAME.CTCHR.EZ.DU
54	150717		GRASS BAG.GENERIC
57	850016		DR PINION RH

www.emc-mower.com

ROTARY LAWN MOWER MODEL NUMBER BR4V876A



www.emc-motors.com

Ref #	Part Number	Qty	Description
1	153346X479		SUB= 166860X479
2	145067		CABLE.MZR.RWGD
3	145073		GROMMET.CABLE.MZR
4	150050		SCREW.HXTAP.10-24
5	151517		SUB= 7192J
6	87692		KNOB PM
7	73510400		NUT
8	145641		BAIL.CNTRL.W/GRIP
9	147690		KIT.DOOR.REAR.22
10	700417		"CONTROL, THROTTLE"
11	128415		BLIND RIVET
12	STD512505		HEX TAPPING SCREW
13	59935		SCREW.HX.WSH.HD.
14	144991X479		PLATE.BACK.22RWGD
15	145594X479		BAFFLE.SD.22RWGD
16	145066X479		BAFFLE.DISCH.22RD
17	149027		SCREW.1/4-20X.50.
19	148152X479		PLATE.BAFFLE.QT.
20	150050		SCREW.HXTAP.10-24
21	146673X479		PLATE.MULCH.22RGD
22	85543		ENGINE PULLEY PM
23	87677		HI PRO KEY PM
24	77400		HUB CAP
25	12000014		E-RING
26	83923		HEX FLANGE LOCKNT
27	146247		WHEEL.8X2.PR.RAD.
28	142748		BOLT SHLD 3/8-16
29	62335		"WASHER,BELLEVL."
30	145937X004		ARM.AXLE.BZP.7POS
31	701037		KNOB HDL ERGO DLX
32	850862X004		SELECTOR SPRING
34	146630		SPACER.HEIGHT.ADJ
35	152513		WHEEL ADJ BRACKET
36	152512		WHEEL ADJ BRACKET
37	55187		SCREW
39	153304X479		BRACKET.HDLE.LH.
40	153305X479		BRACKET.HDLE.RH.
41	150406		BOLT.ENG.3/8-16
44	152380		HOUSING KIT
46	851514		ADAPTOR.BLADE.LM
47	141114		"BLADE.MULCH.22""
48	851074		"WASHER,HARDEN"
49	850263		LOCKWASHER
50	851084		SCREW
51	801652X479		BAFFLE.FRT.PNT.
52	145494		DECAL.DANGER.CUTF
55	751592		LOCKNUT PM
57	51793		HAIRPIN COTTER
58	151723X479		HANDLE.LOWER.3POS
59	131959		BOLT.HANDLE.LM
61	132001		ROPE GUIDE
64			CHECK WITH SUPPLIER
64	152828		ENGINE
65	701458		SUB= 150128
66	146595X479		DOOR LATCH
67	702807		SUB= 142386
68	141839		NUT.SPEED.TYPE.J
69	72808		HINGE SPRING
70	702809		ROD.HINGE
71	141841		SCREW.PNHD.#10

Ref #	Part Number	Qty	Description
71	141841		SCREW.PNHD.#10
72	145062		BAFFLE.BELT.COVER
73	17411312		SCREW.HX.13X.750
74	63601		SUB= 73800400
	153273		MANUAL O BRV876A
	153274		MANUAL R BR4V876A

[www.emc-motoculture.com](http://www.emc-motoculture.com)