

BV 163 Souffleur



Documents

Démarrage et moteur

Châssis et ventilateur

Tuyau de diffusion

Carburateur WYK-176A

Kit de distribution des produit en poudre (En option)

Kit de transformation de souffleur en atomiseur

www.emc-motoculture.com

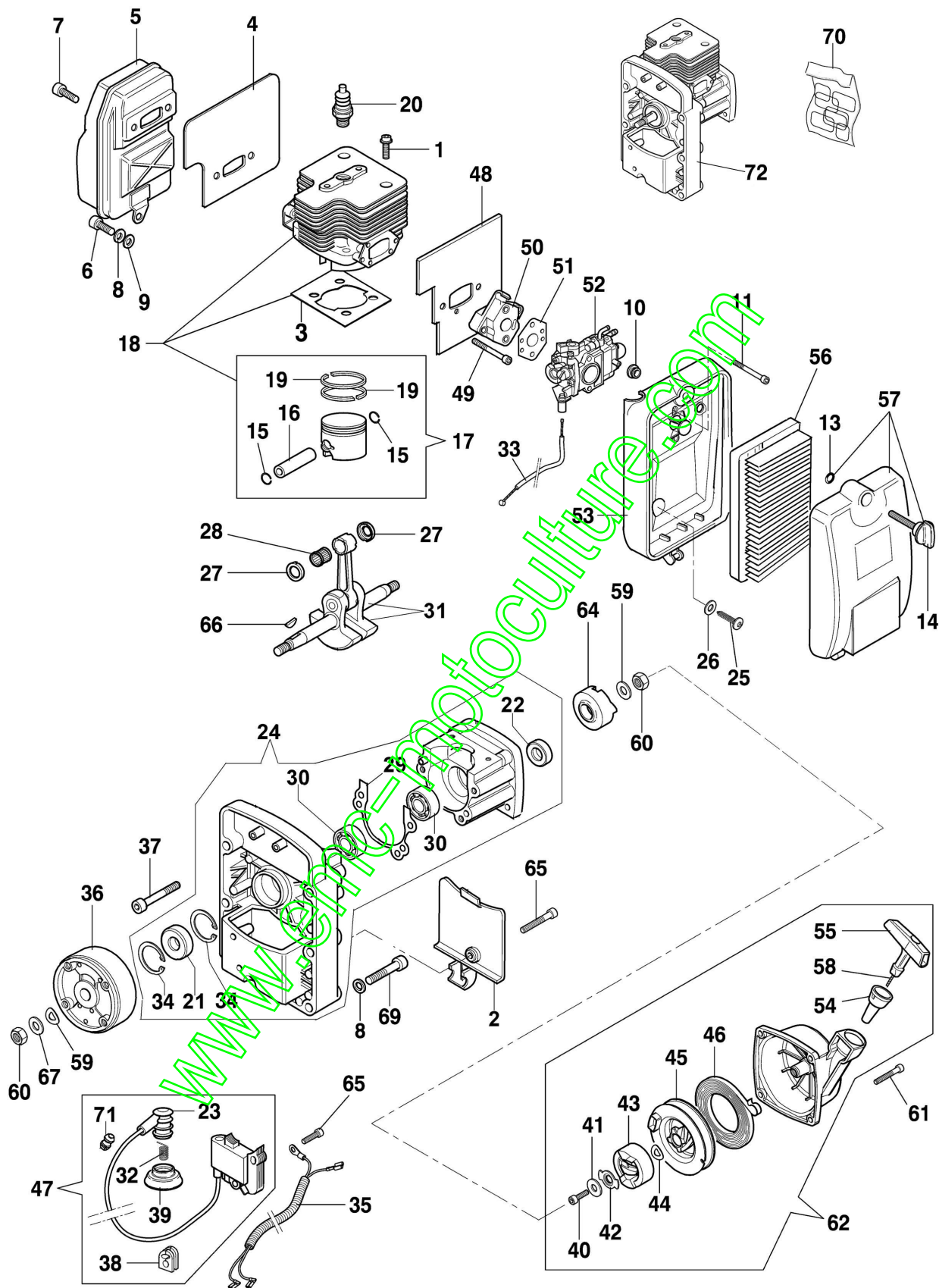


Illustration Démarrage et moteur

| Réf.N° | Q.té | Code de l'article | Description | Validité depuis | Validité jusqu'à | Notes | Bulletin |
|--------|------|-------------------|------------------|-----------------|------------------|-------|----------|
| 1 | 6 | 56520107 | Vis | | | | |
| 2 | 1 | 56520009 | Couvercle | | | | |
| 3 | 1 | 56520097 | Joint | | | | |
| 4 | 1 | 56520010R | Joint | | | | |
| 5 | 1 | 56520166R | Pot | | | | |
| 6 | 1 | 3801020R | Vis | | | | |
| 7 | 2 | 005100906AR | Vis | | | | |
| 8 | 7 | 3819009R | Rondelle | | | | |
| 9 | 1 | 3916006R | Rondelle | | | | |
| 10 | 1 | 3912005R | Ecrou | | | | |
| 11 | 2 | 61112005R | Vis | | | | |
| 13 | 1 | 3049005R | Bague or | | | | |
| 14 | 1 | 56520031AR | Pommeau | | | | |
| 15 | 2 | 56520102R | Entretoise | | | | |
| 16 | 1 | 56520098 | Goupille | | | | |
| 17 | 1 | 56522023 | Piston complet | | | | |
| 18 | 1 | 56522024 | Cylindre complet | | | | |
| 19 | 2 | 56520095R | Segment | | | | |
| 20 | 1 | 3055118R | Bougie | | | | |
| 21 | 1 | 56520132 | Bague | | | | |
| 22 | 1 | 56520105R | Bague | | | | |
| 23 | 1 | 094600097AR | Capot de bougie | | | | |
| 24 | 1 | 56520129R | Carter moteur | | | | |
| 25 | 1 | 3960091AR | Vis | | | | |
| 26 | 8 | 3918005R | Rondelle | | | | |
| 27 | 2 | 56520100 | Entretoise | | | | |
| 28 | 1 | 56520101 | Roulement | | | | |
| 29 | 1 | 56520096 | Joint | | | | |
| 30 | 2 | 56520131R | Roulement | | | | |
| 31 | 1 | 56520099 | Vilebrequin | | | | |
| 32 | 1 | 094600169AR | Ressort | | | | |
| 33 | 1 | 56520067AR | Cordelette | | | | |
| 34 | 2 | 3025025 | Bague | | | | |
| 35 | 1 | 56520204R | Cable | | | | |
| 36 | 1 | 56520004AR | Volant | | | | |
| 37 | 4 | 3860096R | Vis | | | | |
| 38 | 1 | 56520122 | Passe-cable | | | | |
| 39 | 1 | 56520033 | Capuchon | | | | |
| 40 | 1 | 3801010R | Vis | | | | |
| 41 | 1 | 3918020R | Rondelle | | | | |
| 42 | 1 | 56520040AR | Bride | | | | |
| 43 | 1 | 56520039AR | Entretoise | | | | |
| 44 | 1 | 3027005R | Bague | | | | |
| 45 | 1 | 56520038AR | Poulie | | | | |
| 46 | 1 | 004000132R | Ressort | | | | |
| 47 | 1 | 56520124A | Bobine | | | | |

Illustration Démarrage et moteur

| Réf.N° | Q.té | Code de l'article | Description | Validité depuis | Validité jusqu'à | Notes | Bulletin |
|--------|------|-------------------|----------------------|-----------------|------------------|-------|----------|
| 48 | 1 | 56520021R | Joint | | | | |
| 49 | 2 | 4175088R | Vis | | | | |
| 50 | 1 | 56520022AR | Bride termique | | | | |
| 51 | 1 | 56520023AR | Joint | | | | |
| 52 | 1 | 2318495R | Carburateur WYK-176A | | | | |
| 53 | 1 | 56522033R | Support | | | | |
| 54 | 1 | 56520066R | Bague | | | | |
| 55 | 1 | 097000064AR | Poignée de démarrage | | | | |
| 56 | 1 | 56520025R | Filtre aire | | | | |
| 57 | 1 | 56520157R | Couvercle filtre air | | | | |
| 58 | 1 | 4098073R | Cordelette | | | | |
| 59 | 2 | 005000343R | Rondelle | | | | |
| 60 | 1 | 3912011R | Ecrou | | | | |
| 61 | 4 | 4175094 | Vis | | | | |
| 62 | 1 | 56520167CR | Demarrage complet | | | | |
| 64 | 1 | 56520007R | Entraîneur | | | | |
| 65 | 2 | 4175077 | Vis | | | | |
| 66 | 1 | 3028013R | Clavette | | | | |
| 67 | 1 | 3916010R | Rondelle | | | | |
| 69 | 6 | 3801028 | Vis | | | | |
| 71 | 1 | 4161211R | Passetube | | | | |
| 72 | 1 | 56520006AR | Short block | | | | |

www.emc-motoculture.com

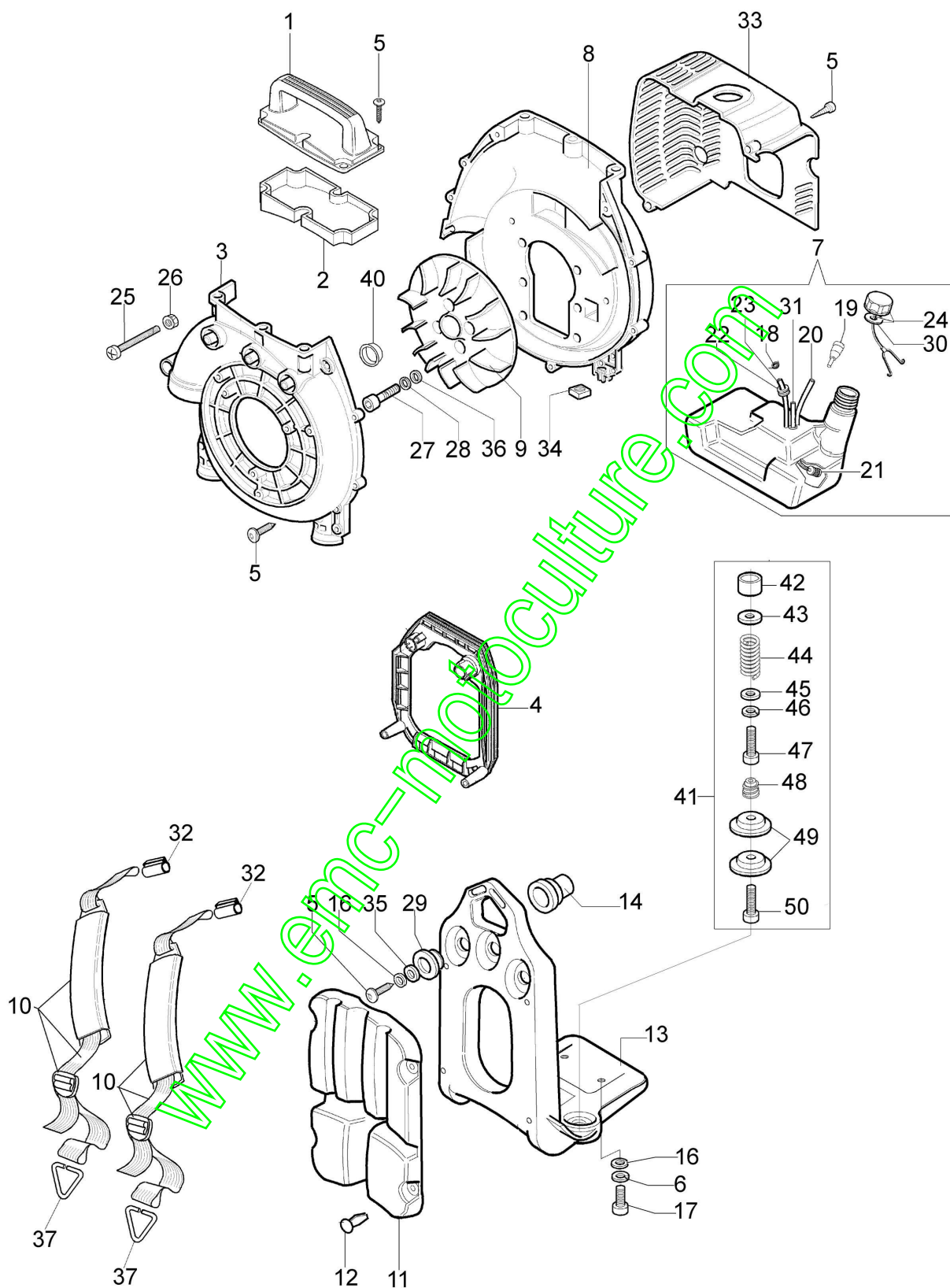


Illustration Châssis et ventilateur

| Réf.N° | Q.té | Code de l'article | Description | Validité depuis | Validité jusqu'à | Notes | Bulletin |
|--------|------|-------------------|-----------------------------|-----------------|------------------|-------|----------|
| 1 | 1 | 56520035A | Couvercle | | | | |
| 2 | 1 | 56520034 | Plaquette | | | | |
| 3 | 1 | 56520078DR | Couronne | | | | |
| 4 | 1 | 56520112 | Protection | | | | |
| 5 | 18 | 3960091AR | Vis | | | | |
| 6 | 2 | 3819006R | Rondelle | | | | |
| 7 | 1 | 56520206R | Groupe réservoir | | | | |
| 8 | 1 | 56520118DR | Couronne | | | | |
| 9 | 1 | 56520003BR | Ventilateur | | | | |
| 10 | 2 | 56520086AR | Harnais | | | | |
| 11 | 1 | 56520075AR | Coussin | | | | |
| 12 | 4 | 3055054R | Clip | | | | |
| 13 | 1 | 56520111R | Châssis | | | | |
| 14 | 1 | 56520070R | Support | | | | |
| 16 | 2 | 3918005R | Rondelle | | | | |
| 17 | 2 | 3801016R | Vis | | | | |
| 18 | 1 | 61110162BR | Bague | | | | |
| 19 | 1 | 61070011AR | Soupape | | | | |
| 20 | 1 | 56520160R | Tuyau | | | | |
| 21 | 1 | 61400322R | Filtre mix | | | | |
| 22 | 1 | 4161211R | Passetube | | | | |
| 23 | 1 | 3073022AR | Tuyau essence | | | | |
| 24 | 1 | 50012008R | Bouchon | | | | |
| 25 | 2 | 3901064 | Vis | | | | |
| 26 | 2 | 3914003R | Ecrou | | | | |
| 27 | 4 | 3801026R | Vis | | | | |
| 28 | 4 | 3819009R | Rondelle | | | | |
| 29 | 3 | 56520042R | Couvercle | | | | |
| 30 | 1 | 099900090R | Bague | | | | |
| 31 | 1 | 56520159R | Tuyau | | | | |
| 32 | 2 | 365200150AR | Arrêt | | | | |
| 33 | 1 | 56520172AR | Protection | | | | |
| 34 | 1 | 3980015 | Ecrou | | | | |
| 35 | 3 | 56520043R | Flasque | | | | |
| 36 | 4 | 3916006R | Rondelle | | | | |
| 37 | 2 | 3065010AR | Crochet | | | | |
| 40 | 1 | 56520127R | Bouchon | | | | |
| 41 | 1 | 56020136 | Ressorts anti-vibration kit | | | | |
| 42 | 1 | 56020134R | Bague | | | | |
| 43 | 1 | 3918005R | Rondelle | | | | |
| 44 | 1 | 50070024R | Ressort | | | | |
| 45 | 1 | 3918010R | Rondelle | | | | |
| 46 | 1 | 3833073R | Rondelle | | | | |
| 47 | 1 | 3801016R | Vis | | | | |
| 48 | 1 | 50070049R | Support | | | | |

Illustration Châssis et ventilateur

| Réf.N° | Q.té | Code de l'article | Description | Validité depuis | Validité jusqu'à | Notes | Bulletin |
|--------|------|-------------------|-------------|-----------------|------------------|-------|----------|
| 49 | 1 | 56020135R | Flasque | | | | |
| 50 | 1 | 3960112 | Vis | | | | |

www.emc-motoculture.com

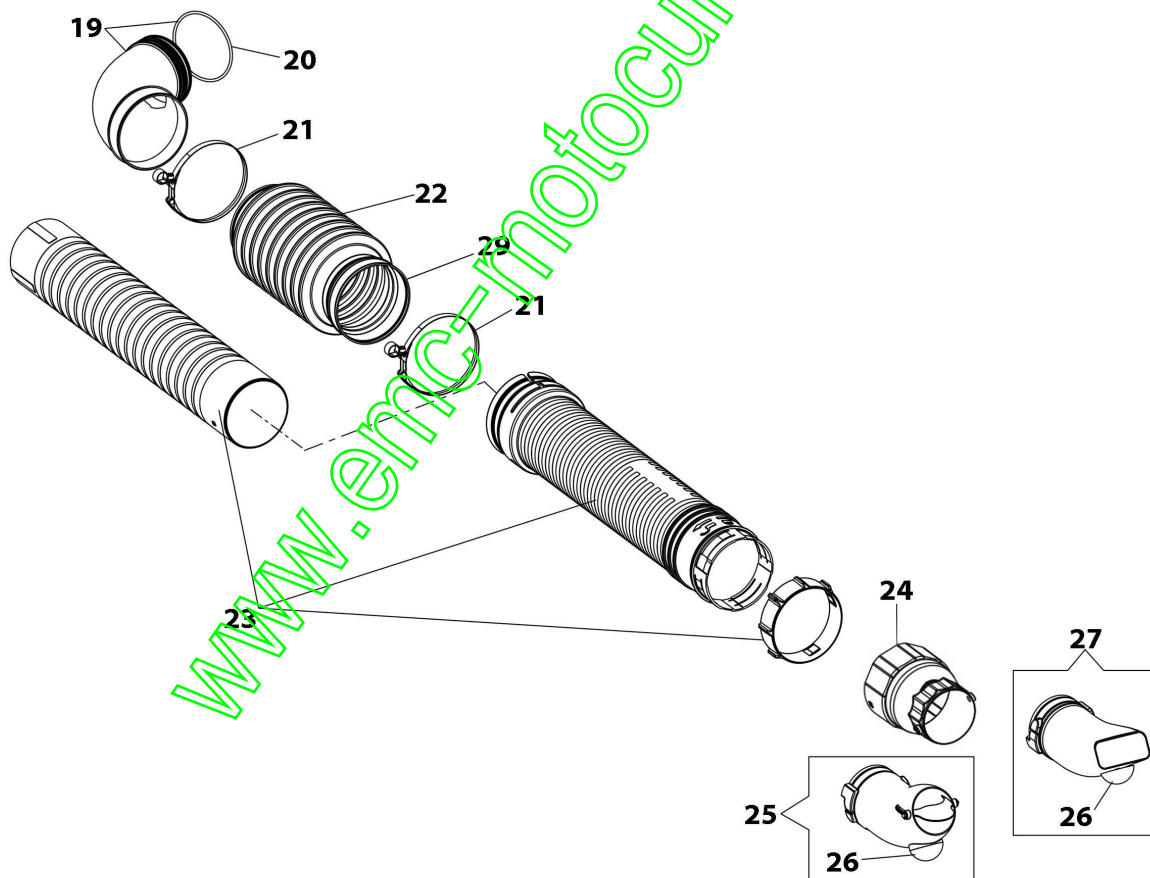
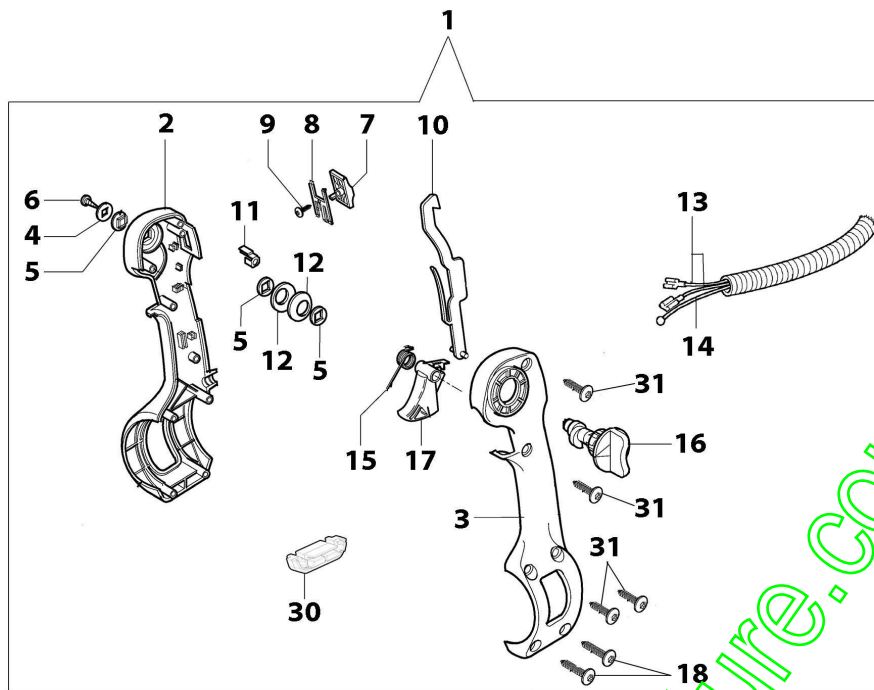
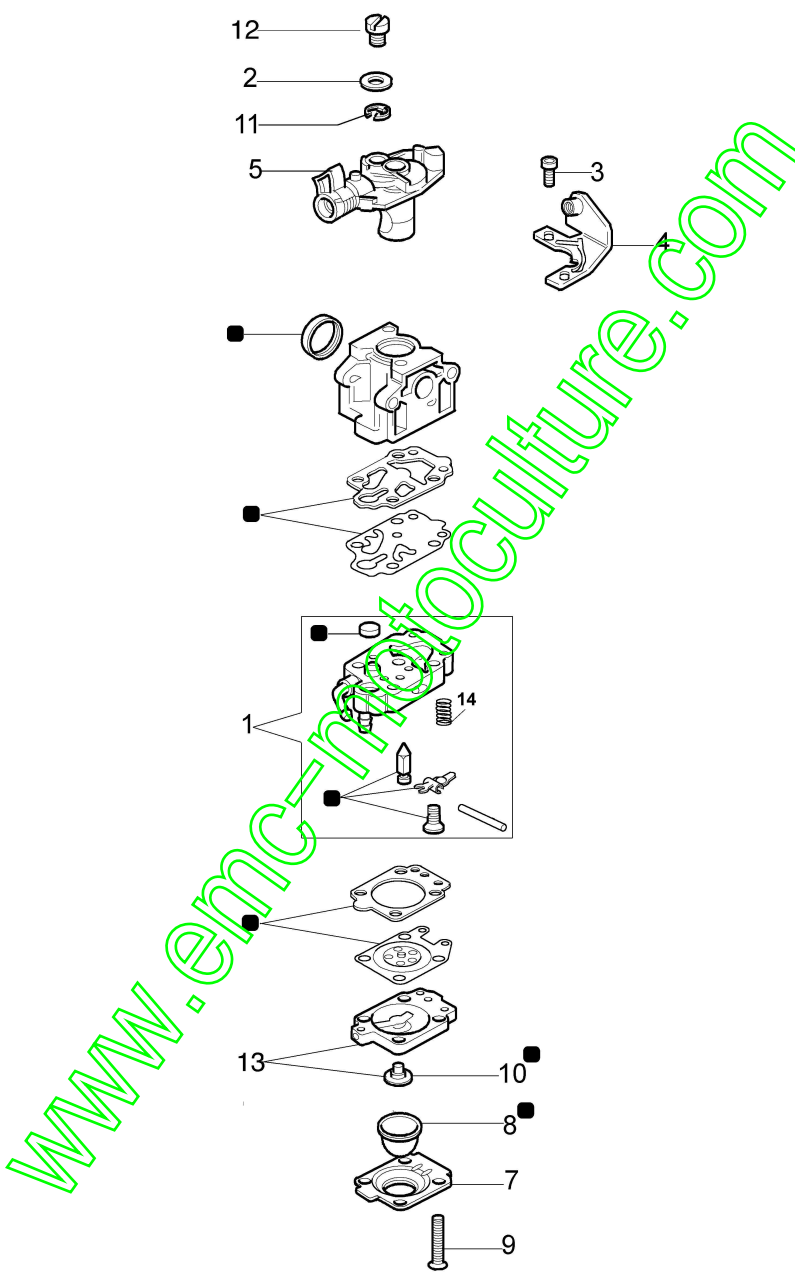


Illustration Tuyau de diffusion

| Réf.N° | Q.té | Code de l'article | Description | Validité depuis | Validité jusqu'à | Notes | Bulletin |
|--------|------|-------------------|---------------------|-----------------|------------------|----------------------|----------|
| 1 | 1 | 56520203R | Poignee complete | | | | |
| 2 | 1 | 365200169DR | Demipoignee | | | | |
| 3 | 1 | 365200170B | Demipoignee | | | | |
| 4 | 1 | 56520068 | Rondelle | | | | |
| 5 | 3 | 56520065 | Flasque | | | | |
| 6 | 1 | 3960091AR | Vis | | | | |
| 7 | 1 | 61040051 | Curseur | | | | |
| 8 | 1 | 61040053R | Bride | | | | |
| 9 | 1 | 3960061AR | Vis | | | | |
| 10 | 1 | 56520062 | Levier | | | | |
| 11 | 2 | 61040054R | Bride | | | | |
| 12 | 2 | 3057007 | Ressort | | | | |
| 13 | 1 | 56520204R | Cable | | | | |
| 14 | 1 | 56520067AR | Cordelette | | | | |
| 15 | 1 | 56520081 | Ressort | | | | |
| 16 | 1 | 56520064 | Limiteur | | | | |
| 17 | 1 | 56520061R | Accelerateur | | | | |
| 18 | 2 | 3960063 | Vis | | | | |
| 19 | 1 | 56520182BR | Coude | | | | |
| 20 | 1 | 3049031R | Bague or | | | | |
| 21 | 2 | 56520187R | Bande | | | | |
| 22 | 1 | 56520185R | Tuyau flexible | | | | |
| 23 | 1 | 56520184R | Kit tuyau | | | | |
| 24 | 1 | 56520188R | Réduction | | | Opzionale / Optional | |
| 25 | 1 | CFI2412301 | Crochet | | | Opzionale / Optional | |
| 26 | 1 | CFI0G26400 | Système de fixation | | | | |
| 27 | 1 | CFI2412201 | Crochet | | | Opzionale / Optional | |
| 29 | 2 | 56520186R | Feutre | | | | |
| 30 | 1 | 56520201R | Entretoise | | | | |
| 31 | 4 | 3960067AR | Vis | | | | |

www.emc-motoculture.com



■ 6 Kit riparazione
Repair kit

Illustration Carburateur WYK-176A

| Réf.N° | Q.té | Code de l'article | Description | Validité depuis | Validité jusqu'à | Notes | Bulletin |
|--------|------|-------------------|-------------------|-----------------|------------------|-------|----------|
| 1 | 1 | 2318491 | Corp pompe compl. | | | | |
| 2 | 1 | 2318703 | Rondelle | | | | |
| 3 | 2 | 2318580 | Vis | | | | |
| 4 | 1 | 2318813 | Support | | | | |
| 5 | 1 | 2318493 | Soupape | | | | |
| 6 | 1 | 2318674 | Kit réparation | | | | |
| 7 | 1 | 2318571 | Couvercle | | | | |
| 8 | 1 | 2318572 | Pompe | | | | |
| 9 | 4 | 2318585 | Vis | | | | |
| 10 | 1 | 2318592 | Soupape | | | | |
| 11 | 1 | 2318189 | Bague | | | | |
| 12 | 1 | 2318577 | Ecrou | | | | |
| 13 | 1 | 2318969 | Corp primer | | | | |
| 14 | 1 | 2318568 | Ressort | | | | |

www.emc-motoculture.com

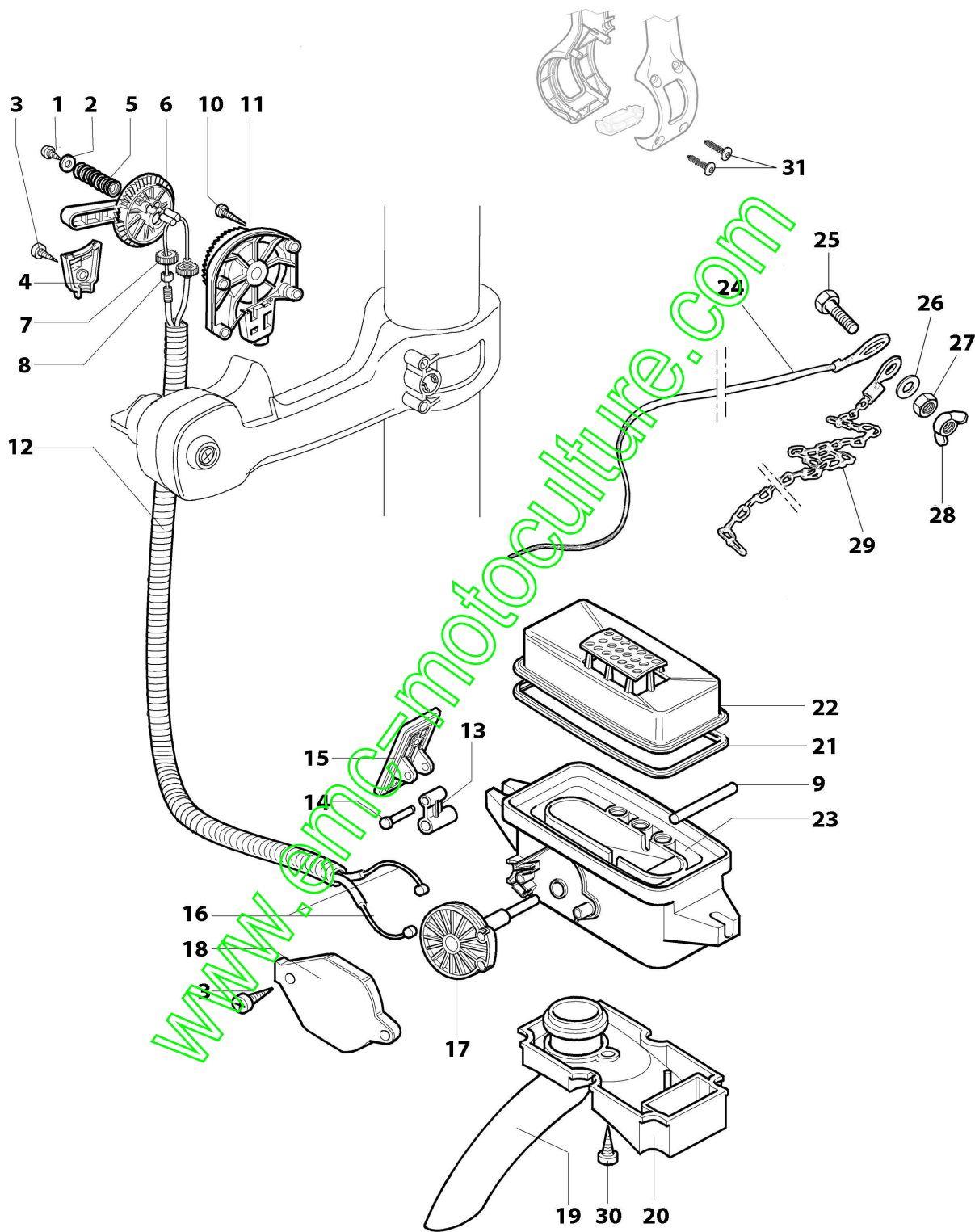


Illustration Kit de distribution des produit en poudre (En option)

| Réf.N° | Q.té | Code de l'article | Description | Validité depuis | Validité jusqu'à | Notes | Bulletin |
|--------|------|-------------------|--------------------|-----------------|------------------|-------|----------|
| 1 | 1 | 3960091AR | Vis | | | | |
| 2 | 1 | 3918005R | Rondelle | | | | |
| 3 | 3 | 3960087AR | Vis | | | | |
| 4 | 1 | 56020153R | Couvercle | | | | |
| 5 | 1 | 56020029 | Ressort | | | | |
| 6 | 1 | 56020028 | Levier | | | | |
| 7 | 2 | 56020025 | Engranages | | | | |
| 8 | 2 | 3911008R | Ecrou | | | | |
| 9 | 2 | 56020022 | Pivot | | | | |
| 10 | 4 | 3960063 | Vis | | | | |
| 11 | 2 | 56020154R | Support | | | | |
| 12 | 1 | 56020037AR | Gaine | | | | |
| 13 | 1 | 56020014 | Support | | | | |
| 14 | 1 | 56020013 | Pivot | | | | |
| 15 | 1 | 56020011 | Vanne | | | | |
| 16 | 2 | 56020024 | Cable | | | | |
| 17 | 2 | 56020015R | Arbre | | | | |
| 18 | 2 | 56020152R | Protection | | | | |
| 19 | 2 | 56020018 | Tuyau | | | | |
| 20 | 2 | 56020111 | Support | | | | |
| 21 | 1 | 56020113B | Joint | | | | |
| 22 | 1 | 56020010C | Carter | | | | |
| 23 | 4 | 56020107 | Boite | | | | |
| 24 | 1 | 56020050 | Cable antistatique | | | | |
| 25 | 1 | 3806021AR | Vis | | | | |
| 26 | 1 | 3918010R | Rondelle | | | | |
| 27 | 1 | 3912005R | Ecrou | | | | |
| 28 | 1 | 3915005 | Ecrou | | | | |
| 29 | 1 | 56020051 | Chainette | | | | |
| 30 | 3 | 3960061AR | Vis | | | | |
| 31 | 2 | 070000032R | Vis | | | | |

www.emc-motoculture.com

Illustration Kit de transformation de souffleur en atomiseur

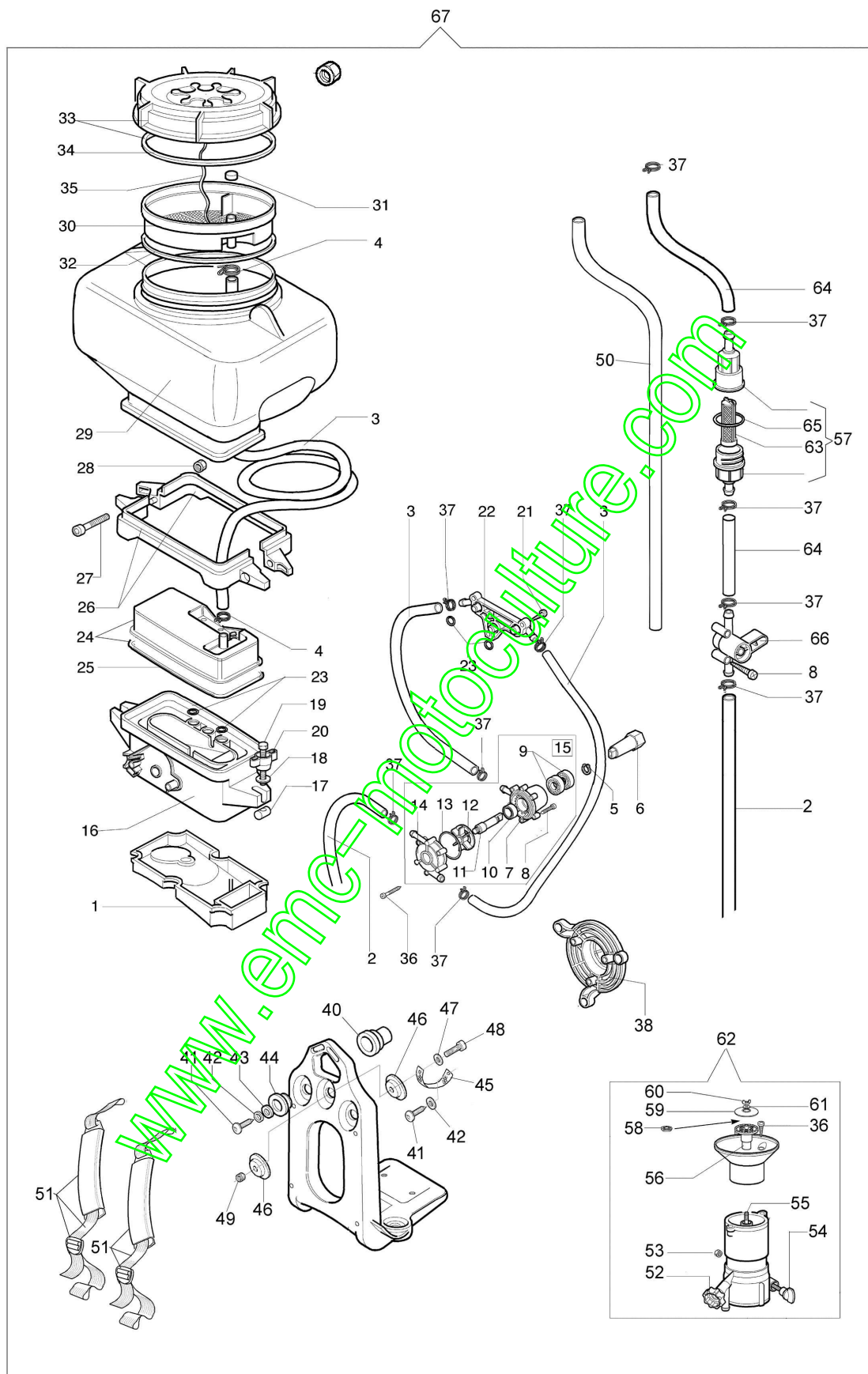


Illustration Kit de transformation de souffleur en atomiseur

| Réf.N° | Q.té | Code de l'article | Description | Validité depuis | Validité jusqu'à | Notes | Bulletin |
|--------|------|-------------------|-------------------|-----------------|------------------|-------|----------|
| 1 | 1 | 56020017 | Plaquette | | | | |
| 2 | 1 | 56020039 | Tuyau | | | | |
| 3 | 3 | 56020038R | Tuyau | | | | |
| 4 | 2 | 3059008 | Bande | | | | |
| 5 | 1 | 3024010R | Bague seeger | | | | |
| 6 | 1 | 56020100 | Connection | | | | |
| 7 | 1 | 56020101R | Corp pompe | | | | |
| 8 | 3 | 3960067AR | Vis | | | | |
| 9 | 2 | 3035230R | Roulement | | | | |
| 10 | 1 | 3050055R | Bague | | | | |
| 11 | 2 | 56020102 | Arbre | | | | |
| 12 | 1 | 56020103R | Ventilateur | | | | |
| 13 | 1 | 3049064R | Bague or | | | | |
| 14 | 1 | 56020105 | Couvercle | | | | |
| 15 | 1 | 365200273CR | Pumpe booster kit | | | | |
| 16 | 1 | 56020130B | Support | | | | |
| 17 | 2 | 56020021R | Pivot | | | | |
| 18 | 2 | 3618010 | Rondelle | | | | |
| 19 | 2 | 3606025 | Vis | | | | |
| 20 | 2 | 56020019R | Pommeau | | | | |
| 21 | 10 | 3960091AR | Vis | | | | |
| 22 | 1 | 56020106 | Jeu de raccords | | | | |
| 23 | 4 | 3049039R | Bague or | | | | |
| 24 | 1 | 56020041BR | Membran | | | | |
| 25 | 1 | 56020113B | Joint | | | | |
| 26 | 2 | 56020150R | Collier | | | | |
| 27 | 2 | 3801017R | Vis | | | | |
| 28 | 2 | 3914003R | Ecrou | | | | |
| 29 | 1 | 56020002A | Reservoir | | | | |
| 30 | 1 | 56020006 | Filtre | | | | |
| 31 | 1 | 56020005 | Bouchon | | | | |
| 32 | 1 | 56020116A | Joint | | | | |
| 33 | 1 | 56022018B | Bouchon compl. | | | | |
| 34 | 1 | 56020004B | Joint | | | | |
| 35 | 1 | 56020040 | Cable | | | | |
| 36 | 3 | 3960087AR | Vis | | | | |
| 37 | 12 | 3059006 | Bande | | | | |
| 38 | 1 | 56020046 | Protection | | | | |
| 40 | 2 | 56020112R | Amortisseur | | | | |
| 41 | 2 | 3960091AR | Vis | | | | |
| 42 | 2 | 3918005R | Rondelle | | | | |
| 43 | 1 | 56520043R | Flasque | | | | |
| 44 | 1 | 56520042R | Couvercle | | | | |
| 45 | 1 | 56020149 | Bande | | | | |
| 46 | 1 | 56020135R | Flasque | | | | |
| 47 | 1 | 3918006R | Rondelle | | | | |

Illustration Kit de transformation de souffleur en atomiseur

| Réf.N° | Q.té | Code de l'article | Description | Validité depuis | Validité jusqu'à | Notes | Bulletin |
|--------|------|-------------------|-------------------------------------------------|-----------------|------------------|-------|----------|
| 48 | 2 | 3906016R | Vis | | | | |
| 49 | 1 | 3960112 | Vis | | | | |
| 50 | 1 | 56020142 | Tuyau | | | | |
| 51 | 2 | 56020110R | Harnais | | | | |
| 52 | 1 | 56020033 | Soupape | | | | |
| 53 | 1 | 3612004 | Ecrou | | | | |
| 54 | 1 | 56020159AR | Pommeau | | | | |
| 55 | 1 | 56020065 | Goujon | | | | |
| 56 | 1 | 56020035 | Tuyere post. | | | | |
| 57 | 1 | 56020087AR | Filtre | | | | |
| 58 | 1 | 56020083AR | Disque ulv | | | | |
| 59 | 1 | 56020036 | Tuyere ant. | | | | |
| 60 | 1 | 3015003 | Ecrou | | | | |
| 61 | 1 | 3618003R | Rondelle | | | | |
| 62 | 1 | 56020155R | Diffuseur complet | | | | |
| 63 | 1 | 56020085 | Filtre | | | | |
| 64 | 2 | 56020097 | Tuyau | | | | |
| 65 | 1 | 3049044 | Bague or | | | | |
| 67 | 1 | 56022030 | Kit de transformation de souffleur en atomiseur | | | | |

www.emc-motoculture.com

www.emc-motoculture.com