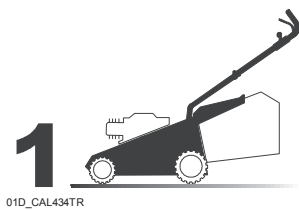


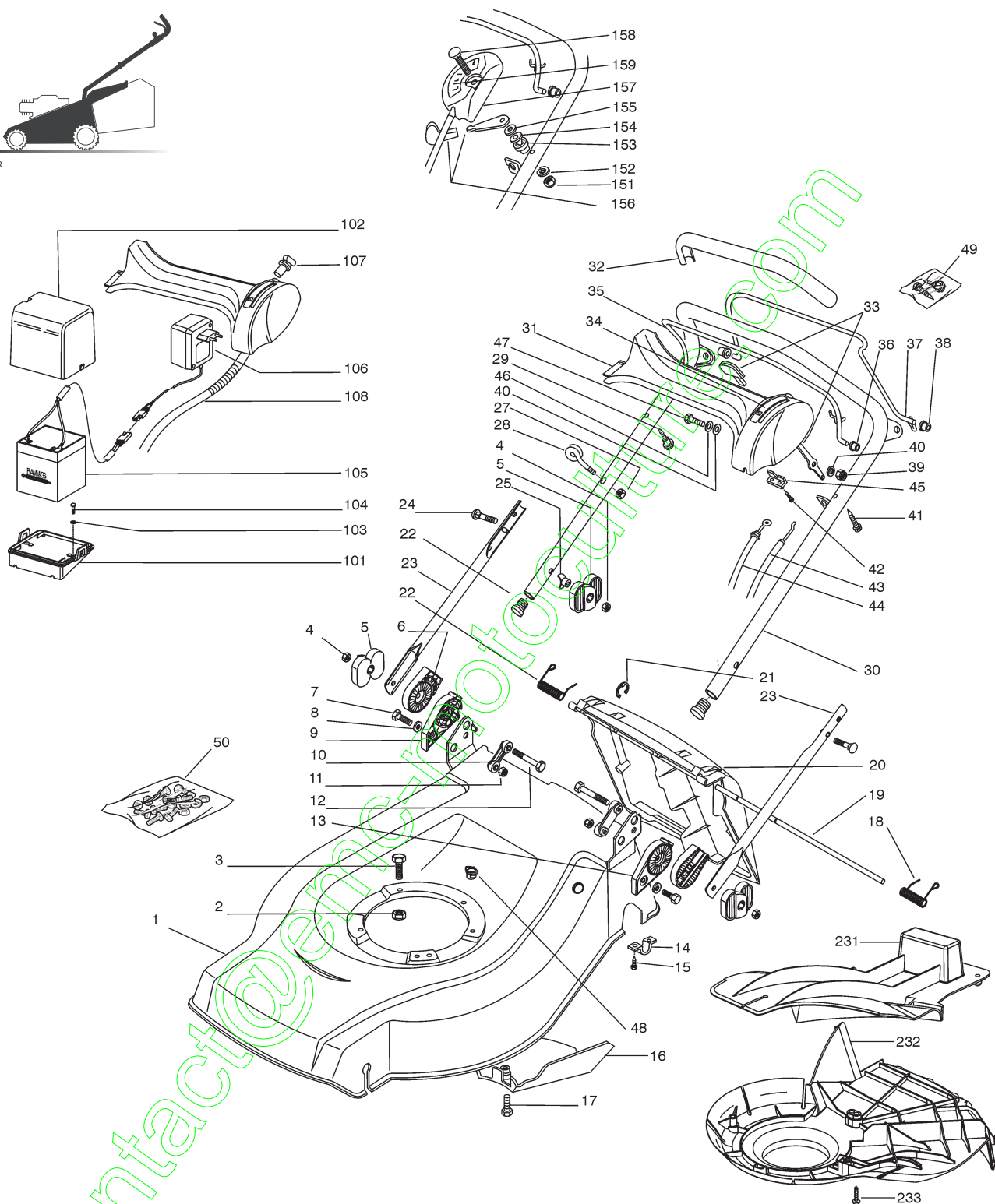


CAL 434 TR - CAL 484 TR/TR-E - CAL 534 TR/TR-E

GLOBAL GARDEN PRODUCTS



01D_CAL434TR



01T.032

| Pos. | Code | Q.ty | Descrizione | Description | Description | Beschreibung | Remarks |
|------|------------|------|----------------|-------------|---------------|--------------|---------------------------|
| 1 | 81001901/0 | 1 | CHASSIS ROSSO | DECK RED | CHÂSSIS ROUGE | GEHÄUSE ROT | (CAL 434 TR) |
| - | 81001902/0 | 1 | CHASSIS GIALLO | DECK YELLOW | CHÂSSIS JAUNE | GEHÄUSE GELB | (CAL 434 TR) |
| - | 81001903/0 | 1 | CHASSIS VERDE | DECK GREEN | CHÂSSIS VERT | GEHÄUSE GRÜN | (CAL 434 TR) |
| - | 81001819/0 | 1 | CHASSIS GIALLO | DECK YELLOW | CHÂSSIS JAUNE | GEHÄUSE GELB | (CAL 484 TR/CAL 484 TR-E) |
| - | 81001820/0 | 1 | CHASSIS VERDE | DECK GREEN | CHÂSSIS VERT | GEHÄUSE GRÜN | (CAL 484 TR/CAL 484 TR-E) |
| - | 81002424/0 | 1 | CHASSIS ROSSO | DECK RED | CHÂSSIS ROUGE | GEHÄUSE ROT | (CAL 484 TR/CAL 484 TR-E) |
| - | 81002356/0 | 1 | CHASSIS ROSSO | DECK RED | CHÂSSIS ROUGE | GEHÄUSE ROT | (CAL 534 TR) |
| - | 81002358/0 | 1 | CHASSIS GIALLO | DECK YELLOW | CHÂSSIS JAUNE | GEHÄUSE GELB | (CAL 534 TR) |
| - | 81002360/0 | 1 | CHASSIS VERDE | DECK GREEN | CHÂSSIS VERT | GEHÄUSE GRÜN | (CAL 534 TR) |
| - | 81002357/0 | 1 | CHASSIS ROSSO | DECK RED | CHÂSSIS ROUGE | GEHÄUSE ROT | (CAL 534 TR-E) |



CAL 434 TR - CAL 484 TR/TR-E - CAL 534 TR/TR-E

GLOBAL GARDEN PRODUCTS

01T.032

| Pos. | Code | Q.ty | Descrizione | Description | Description | Beshreibung | Remarks |
|------|------------|------|---------------------------|---------------------|------------------------------|----------------------|-----------------------------------|
| 1 | 81002359/0 | 1 | CHASSIS GIALLO | DECK YELLOW | CHÂSSIS JAUNE | GEHÄUSE GELB | (CAL 534 TR-E) |
| - | 81002361/0 | 1 | CHASSIS VERDE | DECK GREEN | CHÂSSIS VERT | GEHÄUSE GRÜN | (CAL 534 TR-E) |
| 2 | 12293201/0 | 3/2 | DADO | NUT | ECROU | MUTTER | |
| 3 | 12691800/0 | 0/1 | VITE | SCREW | VIS | SCHRAUBE | |
| - | 12793701/0 | 3/2 | VITE | SCREW | VIS | SCHRAUBE | |
| 4 | 12293202/0 | 4 | DADO | NUT | ECROU | MUTTER | |
| 5 | 22399803/0 | 4 | MANOPOLINA | KNOB | POIGNÉE | GRIFF | |
| 6 | 22785081/1 | 2 | SUPPORTO ESTERNO | SUPPORT, EXTERNAL | SUPPORT EXTERNE | HALTER, AUßERE | |
| 7 | 12793701/0 | 2 | VITE | SCREW | VIS | SCHRAUBE | |
| 8 | 12521350/0 | 2 | ROSETTA | WASHER | RONDELLE | SCHEIBE | |
| 9 | 22785082/0 | 1 | SUPPORTO INTERNO DX | SUPPORT, R INTERNAL | SUPPORT INTERNE D | HALTER, INNERE R | |
| 10 | 22551575/0 | 2 | PIASTRINA INTERNA | PLATE, INSIDE | PLAQUETTE INTERNE | PLATTE, INNERE | |
| 11 | 12155000/0 | 2 | DADO | NUT | ECROU | MUTTER | |
| 12 | 12691810/0 | 2 | VITE | SCREW | VIS | SCHRAUBE | |
| 13 | 22785083/1 | 1 | SUPPORTO INTERNO SX | SUPPORT, L INTERNAL | SUPPORT INTERNE G | HALTER, INNERE L | |
| 14 | 22545152/0 | 2 | PIASTRINA | PLATE | PLAQUETTE | PLATTE | |
| 15 | 12731350/0 | 4 | VITE | SCREW | VIS | SCHRAUBE | |
| 16 | 22060191/1 | 1 | CARTER CINGHIA | PROTECTION, BELT | PROTECTION COURROIRE | SCHUTZ, RIEMEN | (CAL 434 TR) |
| - | 22060195/0 | 1 | CARTER CINGHIA | PROTECTION, BELT | PROTECTION COURROIRE | SCHUTZ, RIEMEN | (CAL 484 TR - CAL 484TR/TR-E) |
| - | 22060196/0 | 1 | CARTER CINGHIA | PROTECTION, BELT | PROTECTION COURROIRE | SCHUTZ, RIEMEN | (CAL 534 TR/CAL 534 TR-E) |
| 17 | 12727791/0 | 1 | VITE | SCREW | VIS | SCHRAUBE | (CAL 434 TR) |
| - | 12728530/0 | 1 | VITE | SCREW | VIS | SCHRAUBE | (CAL 484 TR/TR-E CAL 534 TR/TR-E) |
| 18 | 22450420/1 | 1 | MOLLA SX | L SPRING | RESSORT G | LINKE FEDER | |
| 19 | 22517906/1 | 1 | PERNO | PIN | PIVOT | BOLZEN | |
| 20 | 22600063/1 | 1 | PARASASSI | STONE-GUARD | PARE-PIERRES | PRALLBLECH | |
| 21 | 12000930/0 | 1 | ANELLO ELASTICO | SNAP RING | ANNEAU RESSORT | SPRENGRING | |
| 22 | 22450410/1 | 1 | MOLLA DX | R SPRING | RESSORT D | RECHTE FEDER | |
| 23 | 81006975/0 | 2 | MANICO, PARTE INF | HANDLE, LOWER PART | MANCHERON, PARTIE INFERIEURE | HOLM, UNTERTEIL | |
| 24 | 12819125/0 | 2 | VITE | SCREW | VIS | SCHRAUBE | |
| 25 | 22680006/1 | 2 | ROSETTA | WASHER | RONDELLE | SCHEIBE | |
| 26 | 18566112/0 | 2 | PUNTALE | CAP | BOUCHON | GUMMISTOPFEN | |
| 27 | 12154330/0 | 1 | DADO | NUT | ECROU | MUTTER | |
| 28 | 22430309/0 | 1 | MOLLA GUIDA | GUIDE SPRING | RESSORT DE GUIDE | FEDER FÜHRER | |
| 29 | 22943006/0 | 1 | VITE | SCREW | VIS | SCHRAUBE | |
| 30 | 81006981/0 | 1 | MANICO, PARTE SUP | HANDLE, UPPER PART | MANCHERON, PARTIE SUPERIEURE | HOLM, OBERTEIL | |
| 31 | 22120172/0 | 1 | CRUSCOTTO NERO | DASH BOARD BLACK | CONSOLE NOIRE | KONSOLE SCHWARZE | |
| - | 22120173/0 | 1 | CRUSCOTTO ROSSO | DASH BOARD RED | CONSOLE ROUGE | KONSOLE ROTE | |
| - | 22120174/0 | 1 | CRUSCOTTO GIALLO | DASH BOARD YELLOW | CONSOLE JAUNE | KONSOLE GELBE | |
| 32 | 22291050/0 | 1 | IMPUGNATURA MANICO NERA | HANDGRIP BLACK | POIGNÉE NOIRE | HANDGRIFF SCHWARZER | |
| - | 22291051/0 | 1 | IMPUGNATURA MANICO ROSSA | HANDGRIP RED | POIGNÉE ROUGE | HANDGRIFF RÖTER | |
| - | 22291052/0 | 1 | IMPUGNATURA MANICO GIALLA | HANDGRIP YELLOW | POIGNÉE JAUNE | HANDGRIFF GELBER | |
| 33 | 81007280/2 | 1 | LEVA, ACCELERATORE | LEVER, THROTTLE | LEVIER, ACCELERATEUR | HEBEL, BESHLEUNIGER | |
| 34 | 14356744/0 | 1 | ETICHETTA | LABEL | ETIQUETTE | ETIKETTE | (B&S) |
| - | 14356743/0 | 1 | ETICHETTA | LABEL | ETIQUETTE | ETIKETTE | (HONDA) |
| - | 14357646/0 | 1 | ETICHETTA | LABEL | ETIQUETTE | ETIKETTE | (TECUMSEH) |
| 35 | 81003291/2 | 1 | LEVA FRENO MOTORE | LEVER, MOTOR BRAKE | LEVIER FREIN MOTEUR | HEBEL, MOTORBREMSE | |
| 36 | 22041966/0 | 1 | BUSSOLA | BUSH | DOUILLE | BUCHSE | |
| 37 | 81003288/1 | 1 | LEVA TRAZIONE | LEVER, DRIVING | LEVIER TRACTION | HEBEL, ANTRIEB | |
| 38 | 22041965/0 | 2 | BUSSOLA | BUSH | DOUILLE | BUCHSE | |
| 39 | 12154510/0 | 1 | DADO | NUT | ECROU | MUTTER | |
| 40 | 12523040/0 | 2 | ROSETTA | WASHER | RONDELLE | SCHEIBE | |
| 41 | 12728460/0 | 1 | VITE | SCREW | VIS | SCHRAUBE | |
| 42 | 12735105/0 | 2 | VITE | SCREW | VIS | SCHRAUBE | |
| 43 | 81007160/0 | 1 | CAVO ACCELERATORE | CABLE, TROTTLE | CABLE, ACCELERATEUR | KABLE, BESCHLEUNIGER | |



CAL 434 TR - CAL 484 TR/TR-E - CAL 534 TR/TR-E

GLOBAL GARDEN PRODUCTS

01T.032

| Pos. | Code | Q.ty | Descrizione | Description | Description | Beshreibung | Remarks |
|------|------------|------|-----------------------------|---------------------------|----------------------------|-------------------------|--|
| 44 | 81000633/0 | 1 | CAVO FRENO MOTORE | CABLE, THREAD MOTOR BRAKE | CABLE FREIN MOTEUR | KABEL, MOTORBREMSE | (B&S QUANTUM CAL 434 TR) |
| - | 81000631/0 | 1 | CAVO FRENO MOTORE | CABLE, THREAD MOTOR BRAKE | CABLE FREIN MOTEUR | KABEL, MOTORBREMSE | (B&S QUANTUM CAL 484 TR) |
| - | 81000642/0 | 1 | CAVO FRENO MOTORE | CABLE, THREAD MOTOR BRAKE | CABLE FREIN MOTEUR | KABEL, MOTORBREMSE | (B&S QUANTUM CAL 534 TR/TR-E) |
| - | 81000625/0 | 1 | CAVO FRENO MOTORE | CABLE, THREAD MOTOR BRAKE | CABLE FREIN MOTEUR | KABEL, MOTORBREMSE | (CAL 434 TR - CAL 484 TR B&S CLASSIC/SPRINT/LS/LC) |
| - | 81000629/1 | 1 | CAVO FRENO MOTORE | CABLE, THREAD MOTOR BRAKE | CABLE FREIN MOTEUR | KABEL, MOTORBREMSE | (CAL 434 TR - CAL 484 TR/TR-E TECUMSEH) |
| - | 81000643/0 | 1 | CAVO FRENO MOTORE | CABLE, THREAD MOTOR BRAKE | CABLE FREIN MOTEUR | KABEL, MOTORBREMSE | (CAL 534 TR B&S CLASSIC/SPRINT/LS/LC) |
| - | 81000641/0 | 1 | CAVO FRENO MOTORE | CABLE, THREAD MOTOR BRAKE | CABLE FREIN MOTEUR | KABEL, MOTORBREMSE | (HONDA GCV 135/160 CAL 434 TR - CAL 484 TR) |
| - | 81000640/0 | 1 | CAVO FRENO MOTORE | CABLE, THREAD MOTOR BRAKE | CABLE FREIN MOTEUR | KABEL, MOTORBREMSE | (HONDA GCV 135/160 CAL 534 TR) |
| - | 81000644/0 | 1 | CAVO FRENO MOTORE | CABLE, THREAD MOTOR BRAKE | CABLE FREIN MOTEUR | KABEL, MOTORBREMSE | (TECUMSEH CAL 534 TR/TR-E) |
| 45 | 22981467/0 | 1 | PIASTRINA | PLATE | PLAQUETTE | PLATTE | |
| 46 | 12530060/0 | 1 | ROSETTA ELASTICA | ELASTIC WASHER | RONDELLE ELASTIQUE | ELASTISCHE SCHEIBE | |
| 47 | 12791500/0 | 1 | VITE | SCREW | VIS | SCHRAUBE | |
| 48 | 22291150/0 | 1 | INSERTO IN GOMMA | RUBBER INSERT | INSERT DE GAOUTCHOUC | GUMMI EINSATZ | (CAL 484 TR/TR-E CAL 534 TR/TR-E) |
| 49 | 81008609/0 | 1 | DOTAZIONE VITERIA CRUSCOTTO | OUTFIT, DASH-BOARD SCREWS | DOTATION VISSERIE CONSOLLE | SATZ, KONSOLE SCHRAUBEN | |
| 50 | 81008633/0 | 1 | DOTAZIONE VITERIA | OUTFIT, SCREWS | DOTATION VISSERIE | SATZ, SCHRAUBEN | |

VARIANTI PER AVVIAMENTO ELETTRICO - PARTS FOR ELECTIC START - COMPOSANTS POUR DÉMARRAGE ÉLECTRIQUE - ELEKTROSTART BESTANDTEILE

01T.008

| Pos. | Code | Q.ty | Descrizione | Description | Description | Beshreibung | Remarks |
|------|------------|------|-------------------|------------------|----------------------|------------------|--------------------------|
| 101 | 22785123/0 | 1 | SUPPORTO BATTERIA | SUPPORT, BATTERY | SUPPORT BATTERIE | HALTER, BATTERIE | (B&S - TECUMSEH CENTURA) |
| - | 22785122/0 | 1 | SUPPORTO BATTERIA | SUPPORT, BATTERY | SUPPORT BATTERIE | HALTER, BATTERIE | (TECUMSEH PRISMA) |
| 102 | 22109530/0 | 1 | COPERCHIO | COVER | COUVERCLE | DECKEL | |
| 103 | 12521310/0 | 2 | ROSETTA | WASHER | RONDELLE | SCHEIBE | (B&S - TECUMSEH CENTURA) |
| 104 | 12731590/0 | 2 | VITE | SCREW | VIS | SCHRAUBE | (B&S - TECUMSEH CENTURA) |
| - | 12728520/0 | 2 | VITE | SCREW | VIS | SCHRAUBE | (TECUMSEH PRISMA) |
| 105 | 18120052/0 | 1 | BATTERIA | BATTERY | BATTERIE | BATTERIE | |
| 106 | 18204120/0 | 1 | CARICA BATTERIA | BATTERY CHARGER | CHARGEUR DE BATTERIE | LADGERÄT | |
| 107 | 18450050/0 | 1 | INTERRUTTORE | SWITCH | INTERRUPTEUR | SCHALTER | |
| 108 | 18204192/2 | 1 | CAVO AVVIAMENTO | CABLE, START | CABLE DÉMARRAGE | KABEL, START | (B&S) |
| - | 18204190/3 | 1 | CAVO AVVIAMENTO | CABLE, START | CABLE DÉMARRAGE | KABEL, START | (TECUMSEH) |

VARIANTE ACCELERATORE - THROTTLE MODIFICATION - MODIFICATION COMMANDE D'ACCELERATION - ÄNDERUNGEN AUF GASHEBEL

01T.005

| Pos. | Code | Q.ty | Descrizione | Description | Description | Beshreibung | Remarks |
|------|------------|------|--------------------|-----------------|----------------------|----------------------|------------|
| 151 | 12291000/0 | 1 | DADO | NUT | ECROU | MUTTER | |
| 152 | 12581500/0 | 1 | GROWER | GROWER | GROWER | FEDERRING | |
| 153 | 22171005/0 | 1 | DISTANZIALE | SPACER | ENTRETOISE | DISTANZRING | |
| 154 | 12521360/0 | 1 | ROSETTA | WASHER | RONDELLE | SCHEIBE | |
| 155 | 12508100/0 | 1 | ROSETTA ELASTICA | SPRING WASHER | RONDELLE ELASTIQUE | ELASTISCHE SCHEIBE | |
| 156 | 81007279/0 | 1 | LEVA, ACCELERATORE | LEVER, THROTTLE | LEVIER, ACCELERATEUR | HEBEL, BESHLEUNIGER | |
| 157 | 81007080/0 | 1 | CAVO ACCELERATORE | CABLE, TROTTLE | CABLE, ACCELERATEUR | KABLE, BESCHLEUNIGER | |
| 158 | 12815000/0 | 1 | VITE | SCREW | VIS | SCHRAUBE | |
| 159 | 14356703/0 | 1 | ETICHETTA | LABEL | ETIQUETTE | ETIKETTE | (B&S) |
| - | 14356702/0 | 1 | ETICHETTA | LABEL | ETIQUETTE | ETIKETTE | (HONDA) |
| - | 14356905/0 | 1 | ETICHETTA | LABEL | ETIQUETTE | ETIKETTE | (TECUMSEH) |



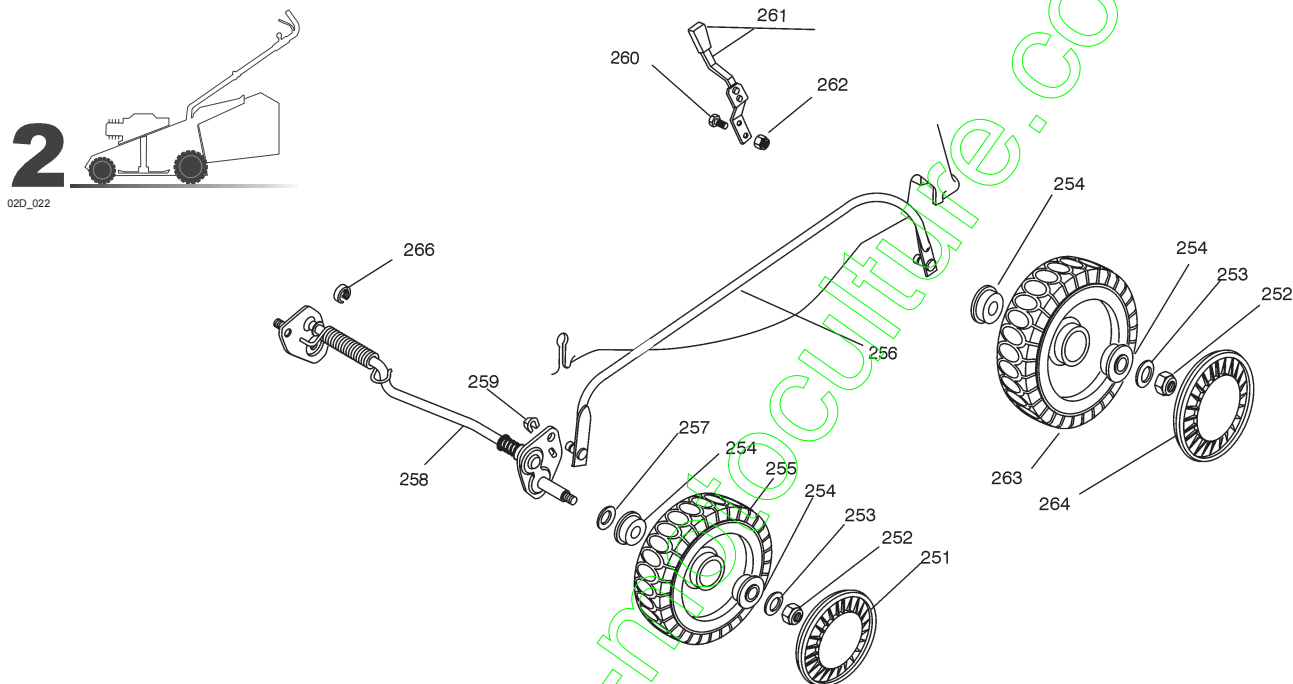
CAL 434 TR - CAL 484 TR/TR-E - CAL 534 TR/TR-E

GLOBAL GARDEN PRODUCTS

VARIANTE MULCHING - MULCHING MODIFICATION - MODIFICATION MULCHING - ÄNDERUNGEN MULCHING

01T.032

| Pos. | Code | Q.ty | Descrizione | Description | Description | Beschreibung | Remarks |
|------|------------|------|-------------|-------------|-------------|--------------|---------------------------|
| 231 | 22140223/0 | 1 | DEFLETTORE | DEFLECTOR | DEFLECTEUR | DEFLEKTOR | (CAL 484 TR/CAL 484 TR-E) |
| - | 22140222/0 | 1 | DEFLETTORE | DEFLECTOR | DEFLECTEUR | DEFLEKTOR | (CAL 534 TR/CAL534 TR-E) |
| 232 | 22060198/0 | 1 | CARTER | PROTECTION | PROTECTION | SCHUTZ | (CAL 484 TR/CAL 484 TR-E) |
| - | 22060197/0 | 1 | CARTER | PROTECTION | PROTECTION | SCHUTZ | (CAL 534 TR/CAL534 TR-E) |
| 233 | 12728530/0 | 2 | VITE | SCREW | VIS | SCHRAUBE | |



02T.020

| Pos. | Code | Q.ty | Descrizione | Description | Description | Beschreibung | Remarks |
|------|------------|------|-----------------------------|--------------------------------|-------------------------------|-------------------------|---------------------------|
| 251 | 22110282/0 | 2 | COPRIMOZZO BIANCO | HUB CAP WHITE | COUVRE-MOYEU BLANC | RADKAPPE WEIßE | |
| - | 22110288/0 | 2 | COPRIMOZZO GIALLO | HUB CAP YELLOW | COUVRE-MOYEU JAUNE | RADKAPPE GELBE | |
| - | 22110290/0 | 2 | COPRIMOZZO ROSSO | HUB CAP RED | COUVRE-MOYEU ROUGE | RADKAPPE ROTE | |
| - | 22110300/0 | 2 | COPRIMOZZO GRIGIO | HUB CAP GREY | COUVRE-MOYEU GRIS | RADKAPPE GRAU | |
| 252 | 12155000/0 | 4 | DADO | NUT | ECROU | MUTTER | |
| 253 | 12521350/0 | 2 | ROSETTA | WASHER | RONDELLE | SCHEIBE | |
| 254 | 22122200/0 | 8 | CUSCINETTO | BEARING | COUSSINET | LAGER | |
| 255 | 81007336/0 | 2 | RUOTA SCOLPITA Ø 170 | WHEEL, KNOBBLY Ø 170 | ROUE SCULPTEE Ø 170 | RAD M. STOLLENPR. Ø 170 | |
| 256 | 81006485/0 | 1 | ASTA COMANDO REGOL. ALTEZZA | ROD, HEIGHT ADJUSTMENT CONTROL | TIGE COMMANDE REGLAGE HAUTEUR | STANGE, HÖHEVERSTELLUNG | (CAL 434 TR) |
| - | 81006481/1 | 1 | ASTA COMANDO REGOL. ALTEZZA | ROD, HEIGHT ADJUSTMENT CONTROL | TIGE COMMANDE REGLAGE HAUTEUR | STANGE, HÖHEVERSTELLUNG | (CAL 484 TR/CAL 484 TR-E) |
| - | 81006483/1 | 1 | ASTA COMANDO REGOL. ALTEZZA | ROD, HEIGHT ADJUSTMENT CONTROL | TIGE COMMANDE REGLAGE HAUTEUR | STANGE, HÖHEVERSTELLUNG | (CAL 534 TR/CAL 534 TR-E) |
| 257 | 12530150/0 | 2 | ROSETTA ELASTICA | ELASTIC WASHER | RONDELLE ELASTIQUE | ELASTISCHE SCHEIBE | |
| 258 | 81000145/0 | 1 | ASSE RUOTE ANTERIORE | AXLE, FRONT WHEELS | AXE ROUES AVANT | ACHSE, VORDERRAD | (CAL 434 TR) |
| - | 81000141/0 | 1 | ASSE RUOTE ANTERIORE | AXLE, FRONT WHEELS | AXE ROUES AVANT | ACHSE, VORDERRAD | (CAL 484 TR/CAL 484 TR-E) |
| - | 81000143/0 | 1 | ASSE RUOTE ANTERIORE | AXLE, FRONT WHEELS | AXE ROUES AVANT | ACHSE, VORDERRAD | (CAL 534 TR/CAL 534 TR-E) |
| 259 | 12436050/0 | 2 | PIASTRINA | PLATE | PLAQUETTE | PLÄTTCHEN | |
| 260 | 12789000/0 | 2 | VITE | SCREW | VIS | SCHRAUBE | |
| 261 | 81003279/1 | 1 | LEVA REGOLAZIONE ALTEZZA | LEVER, HEIGHT ADJUSTMENT | LEVIER, REGLAGE HAUTEUR | HEBEL, HÖHEVERSTELLUNG | |
| 262 | 12154330/0 | 2 | DADO | NUT | ECROU | MUTTER | |
| 263 | 81007337/0 | 2 | RUOTA SCOLPITA Ø 210 | WHEEL, KNOBBLY Ø 210 | ROUE SCULPTEE Ø 210 | RAD M. STOLLENPR. Ø 210 | |
| 264 | 22110281/0 | 2 | COPRIMOZZO BIANCO | HUB CAP WHITE | COUVRE-MOYEU BLANC | RADKAPPE WEIßE | |
| - | 22110287/0 | 2 | COPRIMOZZO GIALLO | HUB CAP YELLOW | COUVRE-MOYEU JAUNE | RADKAPPE GELBE | |
| - | 22110289/0 | 2 | COPRIMOZZO ROSSO | HUB CAP RED | COUVRE-MOYEU ROUGE | RADKAPPE ROTE | |

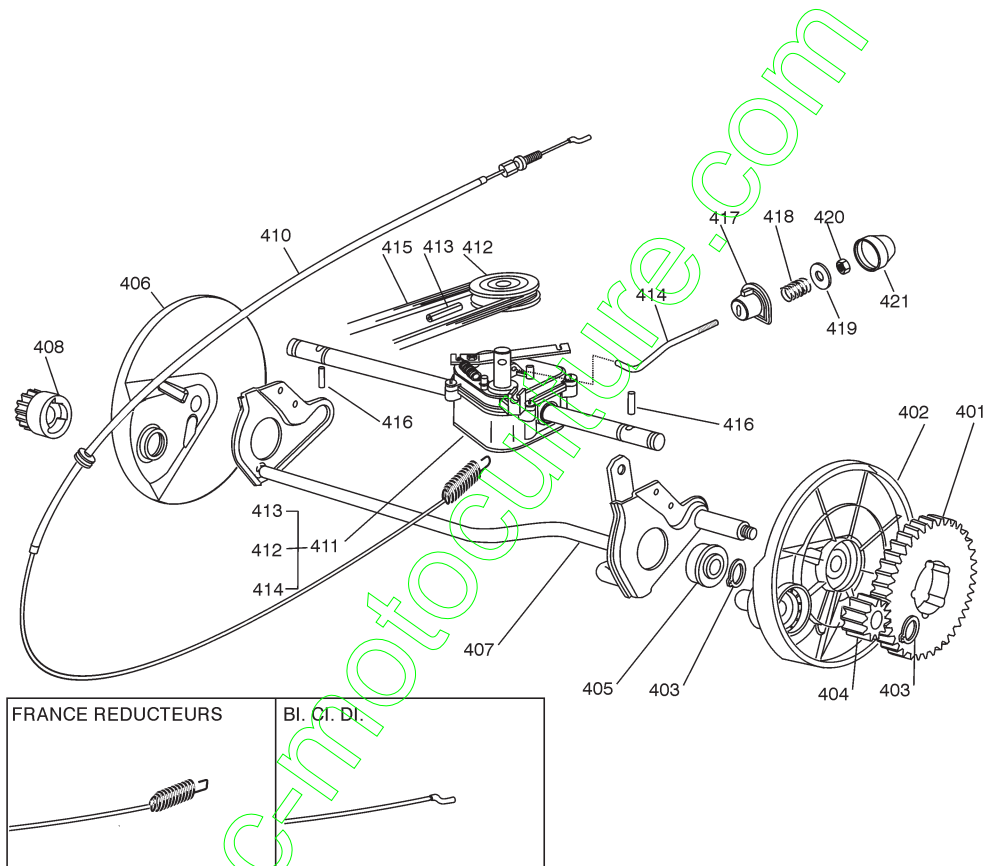
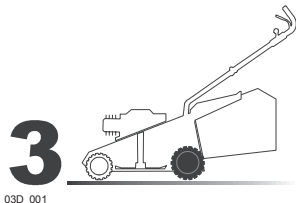


CAL 434 TR - CAL 484 TR/TR-E - CAL 534 TR/TR-E

GLOBAL GARDEN PRODUCTS

02T.020

| Pos. | Code | Q.ty | Descrizione | Description | Description | Beshreibung | Remarks |
|------|------------|------|-------------------|----------------|-------------------|---------------|---------|
| 264 | 22110301/0 | 2 | COPRIMOZZO GRIGIO | HUB CAP GREY | COUVRE-MOYEU GRIS | RADKAPPE GRAU | |
| 265 | 12369500/0 | 2 | DISCO ELASTICO | ELASTIC WASHER | DISQUE ELASTIQUE | FEDERSCHEIBE | |
| 266 | 22171002/0 | 1 | DISTANZIALE | SPACER | ENTRETOISE | DISTANZRING | |



03T.008

| Pos. | Code | Q.ty | Descrizione | Description | Description | Beshreibung | Remarks |
|------|------------|------|--------------------------|---------------------|--------------------------|-----------------------|---------------------------|
| 401 | 22120105/1 | 2 | CORONA | RING GEAR | COURONNE | KRANZ | |
| 402 | 22600093/0 | 1 | PROT. RUOTE SX | PROTECTION, L WHEEL | PROTECTION ROUE G | SCHÜTZ, LINKES RÄDER | |
| 403 | 12608600/0 | 4 | SEEGER | SEEGER | SEEGER | SEEGER | |
| 404 | 22570120/1 | 1 | PIGNONE SX | PINION L | PIGNON G | RITZEL LINKES | |
| 405 | 19216035/0 | 2 | CUSCINETTO | BEARING | COUSSINET | LAGER | |
| 406 | 22600092/0 | 1 | PROT. RUOTE DX | PROTECTION, R WHEEL | PROTECTION ROUE D | SCHÜTZ, RECHTES RÄDER | |
| 407 | 81000147/0 | 1 | ASSE RUOTE POSTERIORE | AXLE, REAR WHEELS | AXE ROUES ARRIERE | ACHSE, HINTERRAD | |
| 408 | 22570110/1 | 1 | PIGNONE DX | PINION R | PIGNON D | RITZEL RECHTES | |
| 410 | 81000672/0 | 1 | CAVO COMANDO TRAZIONE | CABLE, REAR DRIVE | CÂBLE, COMMANDE TRACTION | KABEL, ANTRIEB | (BI. CI. DI.) |
| - | 81000668/0 | 1 | CAVO COMANDO TRAZIONE | CABLE, REAR DRIVE | CABLE, COMMANDE TRACTION | KABEL, ANTRIEB | (FRANCE REDUCTEURS) |
| 411 | 81003081/0 | 1 | GRUPPO TRAZIONE (GRIGIO) | GEAR BOX (GREY) | GROUPE TRACTION (GRIS) | ANTRIEB (GRAU) | (BI. CI. DI.) |
| - | 81003076/0 | 1 | GRUPPO TRAZIONE | GEAR BOX | GROUPE TRACTION | ANTRIEB | (FRANCE REDUCTEURS) |
| 412 | 22601904/0 | 1 | PULEGGIA | PULLEY | POULIE | RIEMENSCHLEIBE | |
| 413 | 12645705/0 | 1 | SPINA | PIN | GOUPILLE | STIFT | |
| 414 | 22033280/0 | 1 | ASTA REGOLAZIONE | ADJUSTMENT ROD | TIGE REGLAGE | VERSTELLUNGSTANGE | (BI. CI. DI.) |
| - | 22033283/0 | 1 | ASTA REGOLAZIONE | ADJUSTMENT ROD | TIGE REGLAGE | VERSTELLUNGSTANGE | (FRANCE REDUCTEURS) |
| 415 | 35063710/0 | 1 | CINGHIA Z 25 | BELT Z 25 | COURROIE Z 25 | RIEMEN Z 25 | (CAL 434 TR) |
| - | 35063800/0 | 1 | CINGHIA Z 27 | BELT Z 27 | COURROIE Z 27 | RIEMEN Z 27 | (CAL 484 TR/CAL 484 TR-E) |
| - | 35063902/0 | 1 | CINGHIA Z 29.5 | BELT Z 29.5 | COURROIE Z 29.5 | RIEMEN Z 29.5 | (CAL 534 TR/CAL 534 TR-E) |
| 416 | 22753000/0 | 2 | SPINA | PIN | GOUPILLE | STIFT | |
| 417 | 22041957/1 | 1 | BUSSOLA | BUSH | DOUILLE | BUCHSE | |



CAL 434 TR - CAL 484 TR/TR-E - CAL 534 TR/TR-E

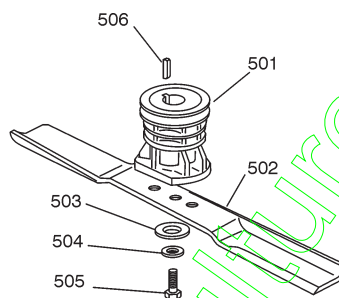
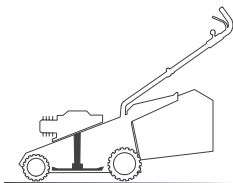
GLOBAL GARDEN PRODUCTS

03T.008

| Pos. | Code | Q.ty | Descrizione | Description | Description | Beshreibung | Remarks |
|------|------------|------|-------------|-------------|-------------|--------------|---------|
| 418 | 22450063/0 | 1 | MOLLA | SPRING | RESSORT | FEDER | |
| 419 | 22680009/0 | 1 | ROSETTA | WASHER | RONDELLE | SCHEIBE | |
| 420 | 12154510/0 | 1 | DADO | NUT | ECROU | MUTTER | |
| 421 | 22110230/0 | 1 | TAPPO | CAP | BOUCHON | GUMMISTOPFEN | |

5

05D_003



05T.015

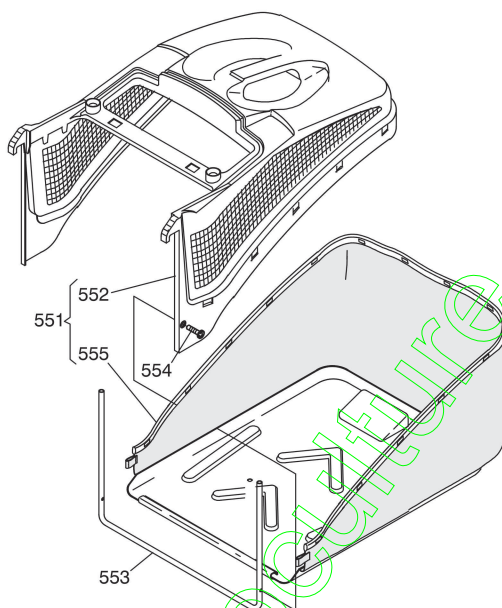
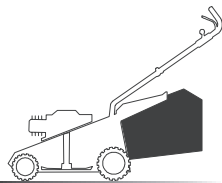
| Pos. | Code | Q.ty | Descrizione | Description | Description | Beshreibung | Remarks |
|------|------------|------|--------------------|-----------------|--------------------|--------------------|---------|
| 501 | 22465607/0 | 1 | MOZZO CON PULEGGIA | HUB WITH PULLEY | MOYEU AVEC POULIE | NABE MIT SCHEIBE | |
| 502 | 81004341/3 | 1 | COLTELLO STANDARD | BLADE STANDARD | LAME STANDARD | MESSER STANDARD | (41 cm) |
| - | 81004396/0 | 1 | COLTELLO ALETTATO | BLADE WINGED | LAME AILETTÉE | MESSER FLÜGEL | (41 cm) |
| - | 81004346/3 | 1 | COLTELLO STANDARD | BLADE STANDARD | LAME STANDARD | MESSER STANDARD | (46 cm) |
| - | 81004397/0 | 1 | COLTELLO ALETTATO | BLADE WINGED | LAME AILETTÉE | MESSER FLÜGEL | (46 cm) |
| - | 81004381/1 | 1 | COLTELLO STANDARD | BLADE STANDARD | LAME STANDARD | MESSER STANDARD | (51 cm) |
| - | 81004398/0 | 1 | COLTELLO ALETTATO | BLADE WINGED | LAME AILETTÉE | MESSER FLÜGEL | (51 cm) |
| 503 | 22160400/0 | 1 | DISCO ELASTICO | ELASTIC WASHER | RONDELLE ELASTIQUE | ELASTISCHE SCHEIBE | |
| 504 | 12523080/0 | 1 | ROSETTA | WASHER | RONDELLE | SCHEIBE | |
| 505 | 12735698/0 | 1 | VITE | SCREW | VIS | SCHRAUBE | |
| 506 | 12139100/0 | 1 | LINGUETTA | FEATHER | CLAVETTE | KEIL | |



GLOBAL GARDEN PRODUCTS

6

06D_003



06T.003

| Pos. | Code | Q.ty | Descrizione | Description | Description | Beshreibung | Remarks |
|------|------------|------|------------------|------------------------|------------------------|--------------------|---------|
| 551 | 91000010/1 | 1 | SACCO, COMPLETO | GRASSCATCHER, COMPLETE | SAC, COMPLETE | SACK, KOMPLETTE | |
| 552 | 22486093/0 | 1 | SACCO, PARTE SUP | GRASS-BOX, UPPER PART | SAC, PARTIE SUPERIEURE | KORB, OBERTEIL | |
| 553 | 22608523/0 | 1 | RINFORZO INF | STIFFENING LOWER | RÉNFORCEMENT INF | VERSTÄRKUNG UNTERE | |
| 554 | 12728445/0 | 2 | VITE | SCREW | VIS | SCHRAUBE | |
| 555 | 81002195/0 | 1 | SACCO, TELA | BOX, FABRIC | SAC, TOILE | SACK, TUCK | |

contact@emc-motoculture.com