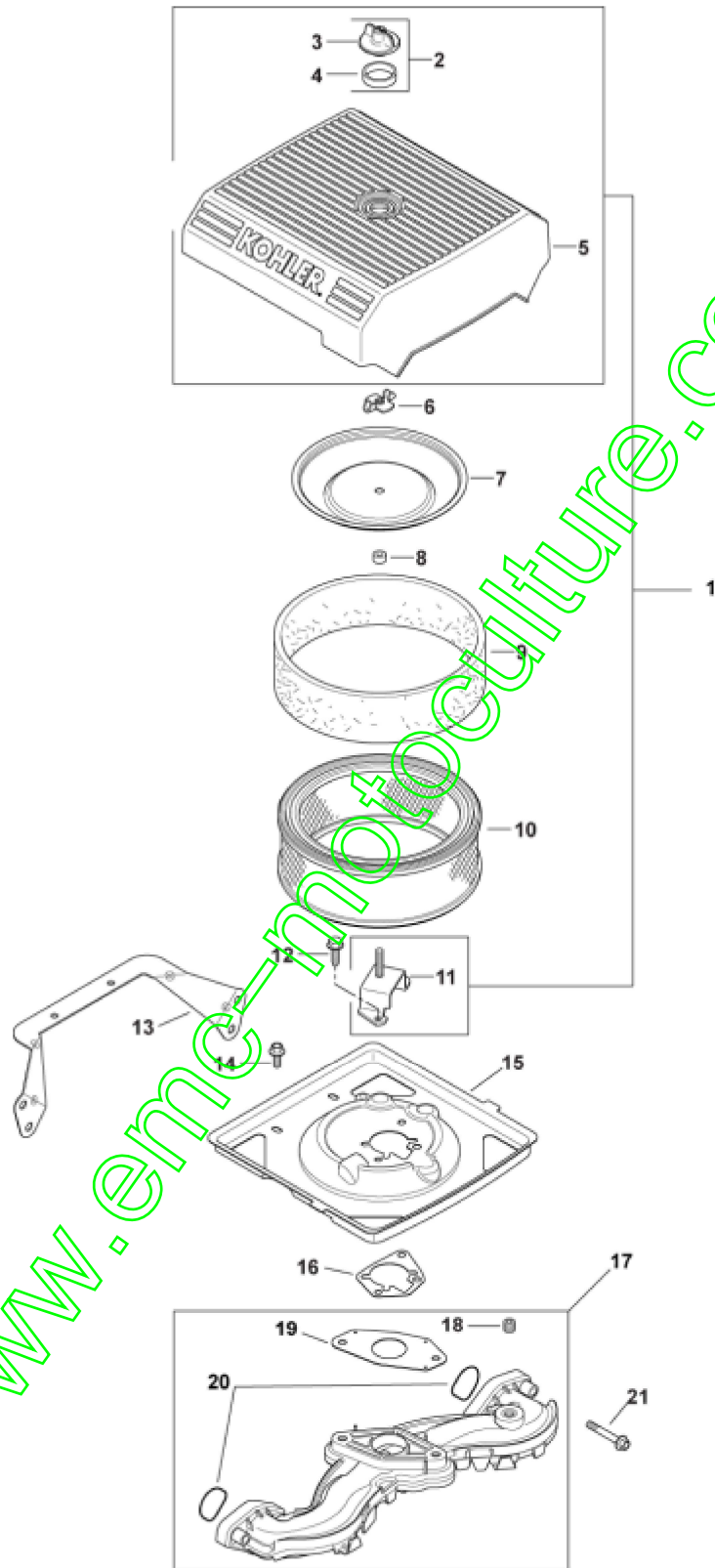


Air Intake Group 10-24-118



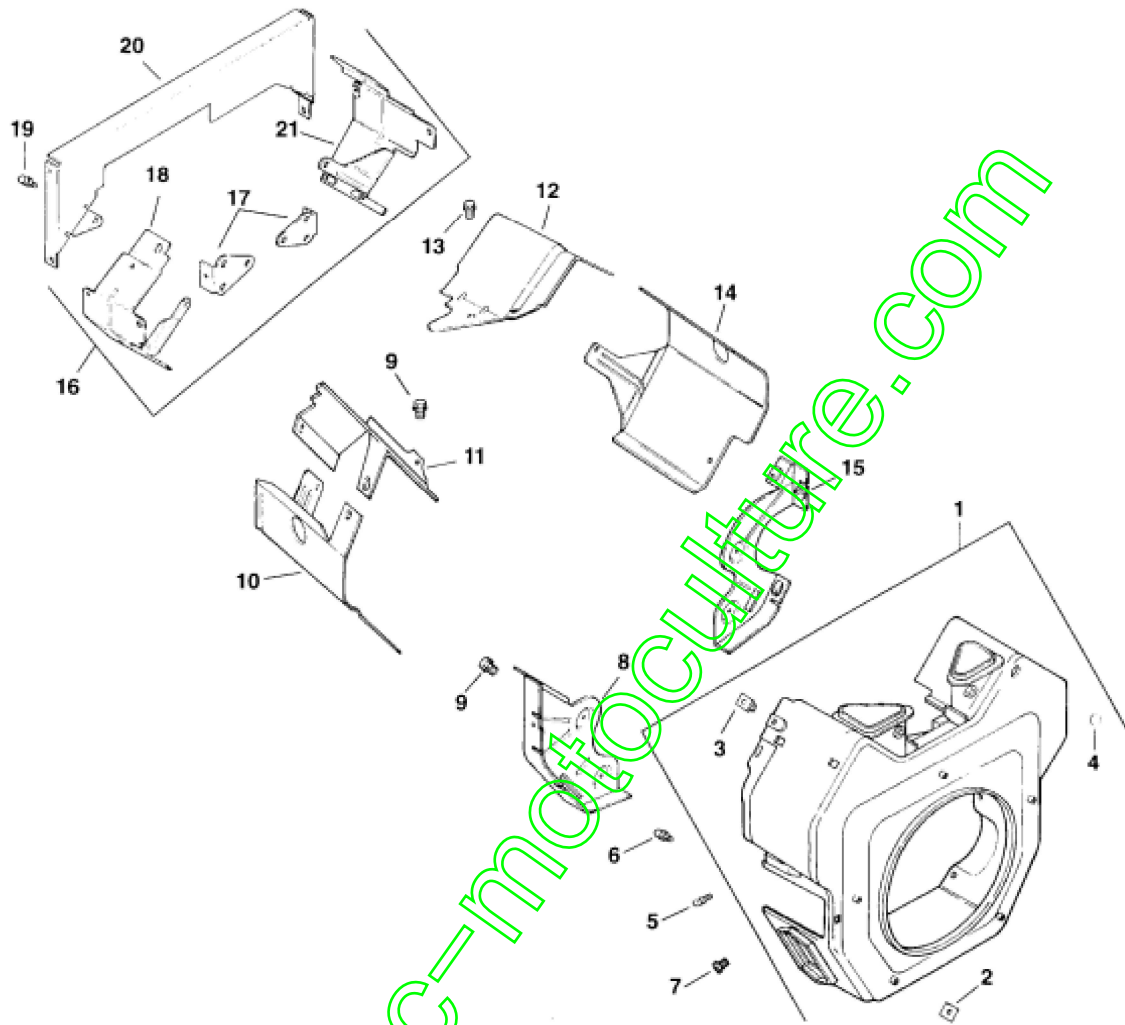
www.encyclicmotoculture.com

Air Intake Group 10-24-118

Ref #	Part	Description	Qty
1	24 743 06-S	KIT, AIR CLEANER COVER	1
2	54 755 01-S	KIT, KNOB W/SEAL	1
3	25 341 04-S	KNOB, COVER	1
4	24 153 20-S	O-RING	1
5	24 096 26-S	COVER, AIR CLEANER	1
6	12 100 01-S	NUT, WING	1
7	24 096 01-S	COVER, INNER AIR CLEANER	1
8	24 032 03-S	SEAL, INNER AIR CLEANER	1
9	24 083 02-S	ELEMENT, PRECLEANER (LOW)	1
10	47 083 03-S	ELEMENT, AIR CLEANER	1
11	24 126 21-S	BRACKET,AIR CLEANERBASE-USE 24 126 206-S	1
12	24 086 53-S	SCREW, FLG THD FRM M6X1.0X16	3
13	24 126 130-S	BRACKET, AIR CLEANER BASE	1
14	M-545010-S	SCREW, FLG THD FRM M5X.8X10	2
15	24 094 39-S	BASE, AIR CLEANER-USE 24 094 84-S	1
16	24 041 06-S	GASKET, AIR CLEANER BASE	1
17	24 164 93-S	KIT, INTAKE MANIFOLD	1
18	25 139 60-S	PLUG, CTSK PIPE 1/8"	1
19	24 041 53-S	GASKET, CARBURETOR	1
20	24 153 27-S	O-RING, INTAKE PORT	2
21	M-651040-S	SCREW, FLG M6X1.0X40	4

www.emc-motoculture.com

Blower Housing & Baffles 6-24-12

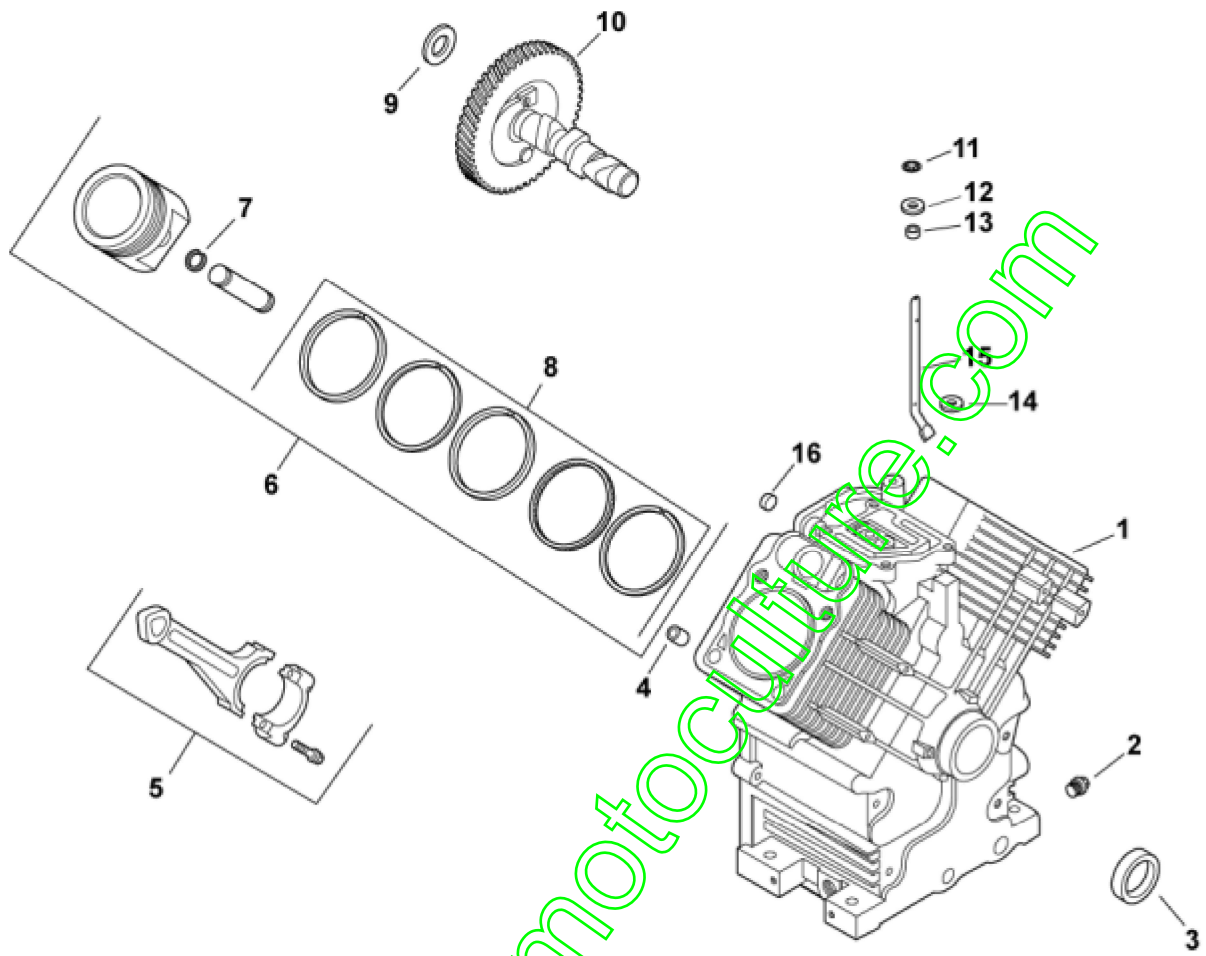


Blower Housing & Baffles 6-24-12

Ref #	Part	Description	Qty
1	24 027 18-S	Housing, blower Includes 2-4	1
2	24 100 01-S	Nut, plastic	3
3	24 100 02-S	Nut, plastic	2
4	25 139 16-S	Plug, button 9/16"	1
5	M-0545016	Screw, hex. flange M5x0.8x16	5
6	M-0545020	Screw, hex. flange M5x0.8x20	2
7	M-0551016	Screw, hex. flange M5x0.8x16	1
8	24 146 02	Plate, backing - #2 side	1
9	M-0645016	Screw, hex. flange M6x1.0x16	6
10	24 063 20-S	Baffle, cylinder barrel - #2 side	1
11	24 063 17-S	Baffle, valley - #2 side	1
12	24 063 24-S	Baffle, valley - #1 side	1
13	M-0545010	Screw, hex. flange M5x0.8x10	2
14	24 063 08-S	Baffle, cylinder barrel - #1 side	1
15	24 146 08	Plate, backing - #1 side	1

www.emc-motoculture.com

Crankcase Group 2-24-87



www.emc-motoculture.com

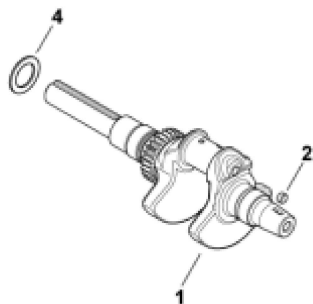
Crankcase Group 2-24-87

Ref #	Part	Description	Qty
1		Crankcase (Use Miniblock 24 782 15)	1
2	52 139 02-S	PLUG, HD PIPE 3/8"	2
3	24 032 19-S	SEAL, OIL (HELIX LIP)	1
4	24 380 16-S	PIN, LOCATING	6
5	24 067 24-S	ROD, CONNECTING ASSEMBLY-USE 24 067 28-S	2
	24 067 25-S	ROD ASSY,CONNECT .25 U/S-USE 24 067 29-S	2
6	24 874 38-S	PISTON W/RINGS (STYLE A)(STD) USE 24 874 46-S	2
	24 874 39-S	KIT, PISTON-USE 24 874 47-S	2
	24 874 40-S	PISTON W/RINGS (STYLE A)(.25)-USE 24 874 48-S	2
	24 874 41-S	KIT,PISTON ASSY W/RING SET(.5) USE 24 874 49-S	2
7	24 018 01-S	RETAINER, PISTON PIN	2
8	24 108 22-S	RING SET (STD)1.2MM TOP RING THICKNESS	2
	24 108 23-S	RING SET (.08)1.2MM TOP RING THICKNESS	2
	24 108 24-S	RING SET (.25)1.2MM TOP RING THICKNESS	2
	24 108 25-S	RING SET (.50)1.2MM TOP RING THICKNESS	2
9	12 422 10-S	SHIM, CAMSHAFT (YELLOW .034")	A.R.
	12 422 09-S	SHIM, CAMSHAFT (RED .032")	A.R.
	12 422 13-S	SHIM, CAMSHAFT (BLACK .04")	A.R.
	12 422 11-S	SHIM, CAMSHAFT (GREEN .036")	A.R.
	12 422 12-S	SHIM, CAMSHAFT (GRAY .038")	A.R.
	12 422 07-S	SHIM, CAMSHAFT (WHITE .028")	A.R.
	12 422 08-S	SHIM, CAMSHAFT (BLUE .03")	A.R.
10	24 012 10-S	KIT, CAMSHAFT	1
11	24 018 09-S	RETAINER, RING	1
12	M-931010-S	WASHER, FLAT 9 MM	1
13	28 032 09-S	SEAL, GOVERNOR CROSS SHAFT	1
14	24 468 15-S	WASHER, FLAT 11/32"	1
15	24 144 38-S	SHAFT, GOVERNOR CROSS	1
16	52 139 09-S	PLUG, CUP	1
	25 357 14-S	LUBRICANT, CAMSHAFT NOT ILLUSTRATED	1

Crankshaft Group 1-24-3

CRANKSHAFT GROUP

CH18,CH20,CH22,CH23,CH25,CH620,CH640,CH670,CH680,CH730,CH740,CH750



ILLUSTRATIONS ARE REPRESENTATIVE AND ARE NOT INTENDED TO SHOW ALL DETAILS FOR EACH COMPONENT

www.emc-motoculture.com

Crankshaft Group 1-24-3

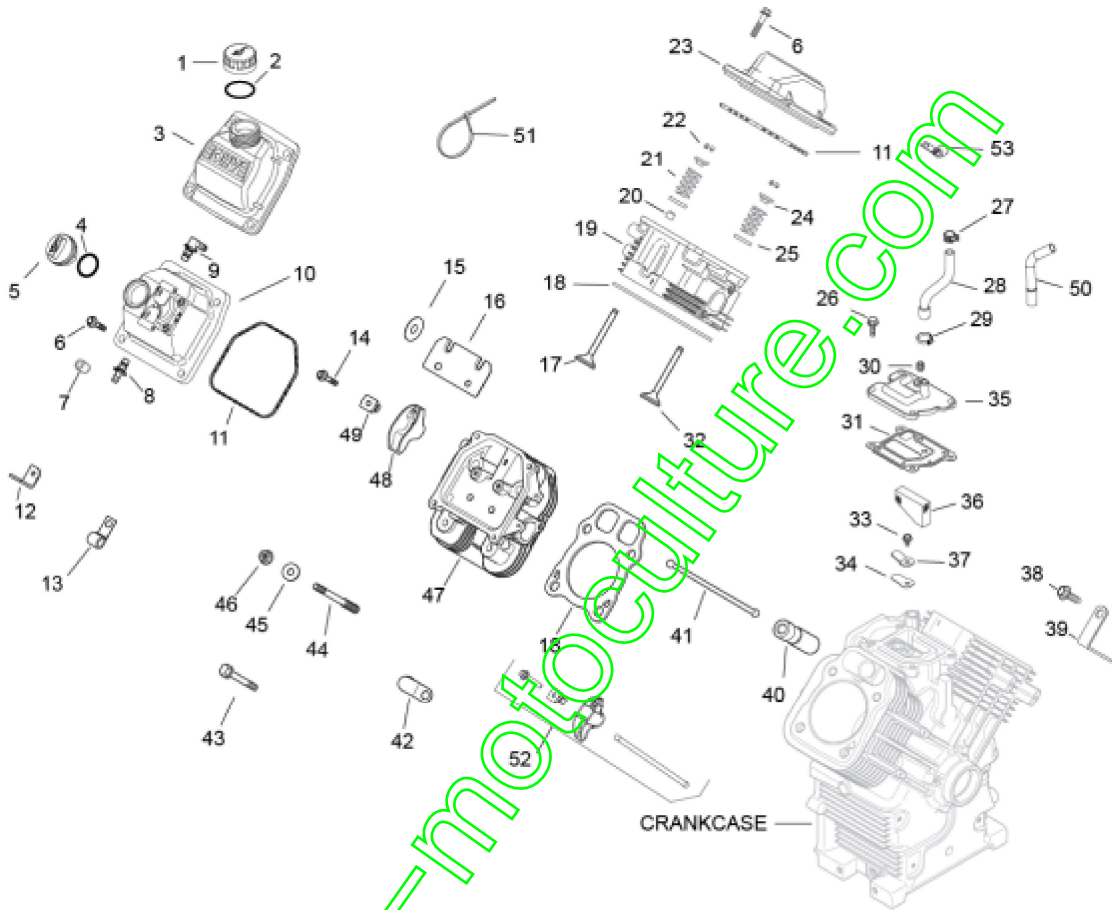
Ref #	Part	Description	Qty
1	24 014 346-S	CRANKSHAFT, NON-THRUST STYLE	1
2	52 139 09-S	PLUG, CUP	1

www.emc-motoculture.com

Cylinder Head/ Breather Group 4-24-51

CYLINDER HEAD/BREATHER GROUP

CH18,CH20,CH22,CH23,CH25,CH620,CH640,CH670,CH680,CH730,CH740,CH750



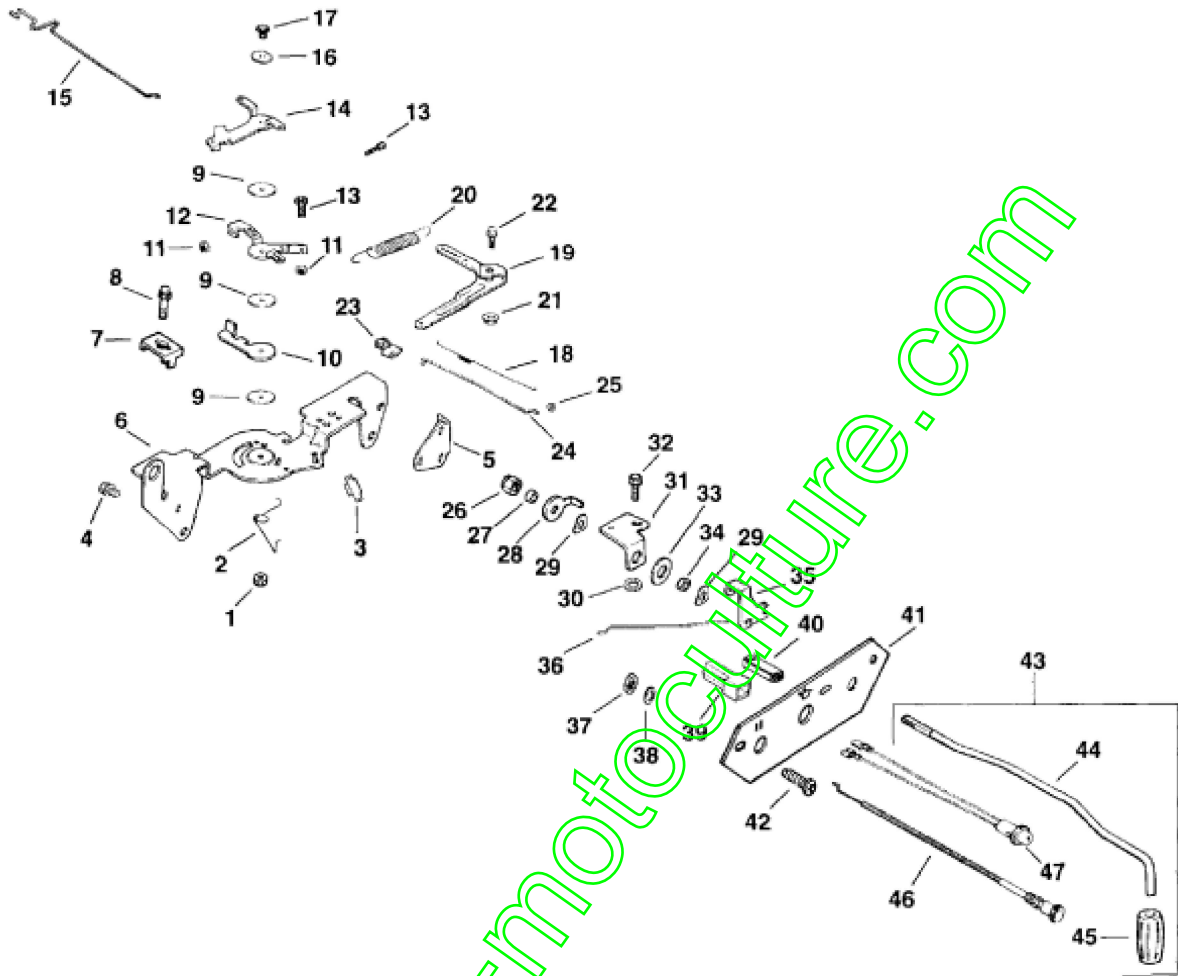
ILLUSTRATIONS ARE REPRESENTATIVE AND ARE NOT INTENDED TO SHOW ALL DETAILS FOR EACH COMPONENT

www.enc-motoculture.com

Cylinder Head/ Breather Group 4-24-51

Ref #	Part	Description	Qty
4	24 153 32-S	O-RING	2
5	24 227 02-S	CAP ASSY, OIL FILL (YELLOW)	1
6	M-651030-S	SCREW, FLG M6X1.0X30	8
8	25 294 09-S	KIT, STRAIGHT FITTING	1
9	25 294 11-S	KIT, 90 DEG. FITTING	2
10	24 559 10-S	KIT, VALVE COVER-FUEL PUMP	1
11	24 153 30-S	O-RING (YELLOW), VALVE COVER	2
14	M-640034-S	SCREW, FLG M6X1.0X34	4
17	24 016 01-S	VALVE, EXHAUST (STELLITE)	2
17	24 016 02-S	VALVE, EXHAUST (.25)	2
18	24 841 01-S	KIT, CYL HEAD GASKET (C17-22)	2
19	24 318 144-S	HEAD ASSEMBLY, CYLINDER (#1) USE 24 318 173-S	1
20	25 032 14-S	SEAL, VALVE BAND	2
21	24 089 02-S	SPRING, VALVE	4
22	12 755 03-S	KIT, RETAINER	8
23	24 755 141-S	KIT, VALVE COVER-PLAIN	1
24	25 173 28-S	CAP, VALVE SPRING	4
25	235011-S	RETAINER	4
26	25 086 396-S	SCREW, THREAD FORMING	4
27	25 237 37-S	CLAMP SPRING HOSE	1
28	24 326 89-S	HOSE, BREATHER	1
31	24 041 67-S	GASKET, BREATHER	1
32	24 017 01-S	VALVE, INTAKE	2
32	24 017 02-S	VALVE, INTAKE (.25)	2
33	M-545010-S	SCREW, FLG THD FRM M5X.8X10	1
34	24 402 03-S	REED, BREATHER	1
35	24 096 130-S	KIT, BREATHER COVER USE 24 033 01-S	1
35	24 033 01-S	KIT, BREATHER ASSEMBLY	1
36	24 050 11-S	FILTER, BREATHER	1
37	66 018 04-S	RETAINER, REED	1
38	25 086 395-S	SCREW, THREAD FORMING	1
39	25 445 03-S	STRAP, LIFT	1
40	25 351 10-S	LIFTER, VALVE HYDRAULIC (#2535111S)	4
41	24 411 05-S	ROD, PUSH	4
43	62 086 08-S	SCREW, FLG M10X1.5X90	2
47	24 318 150-S	HEAD ASSEMBLY, CYLINDER (#2)	1
48	25 186 01-S	ARM, ROCKER	4
49	24 599 02-S	PIVOT, ROCKER ARM	4
52	24 755 66-S	KIT, VALVE TRAIN	1
	24 755 147-S	KIT, CYLINDER HEAD HARDWARE NOT ILLUSTRATED	2
	25 141 06-S	TOOL, INSTALLATION (SNAP RING) NOT ILLUSTRATED	1

Engine Controls Group 9-24-7

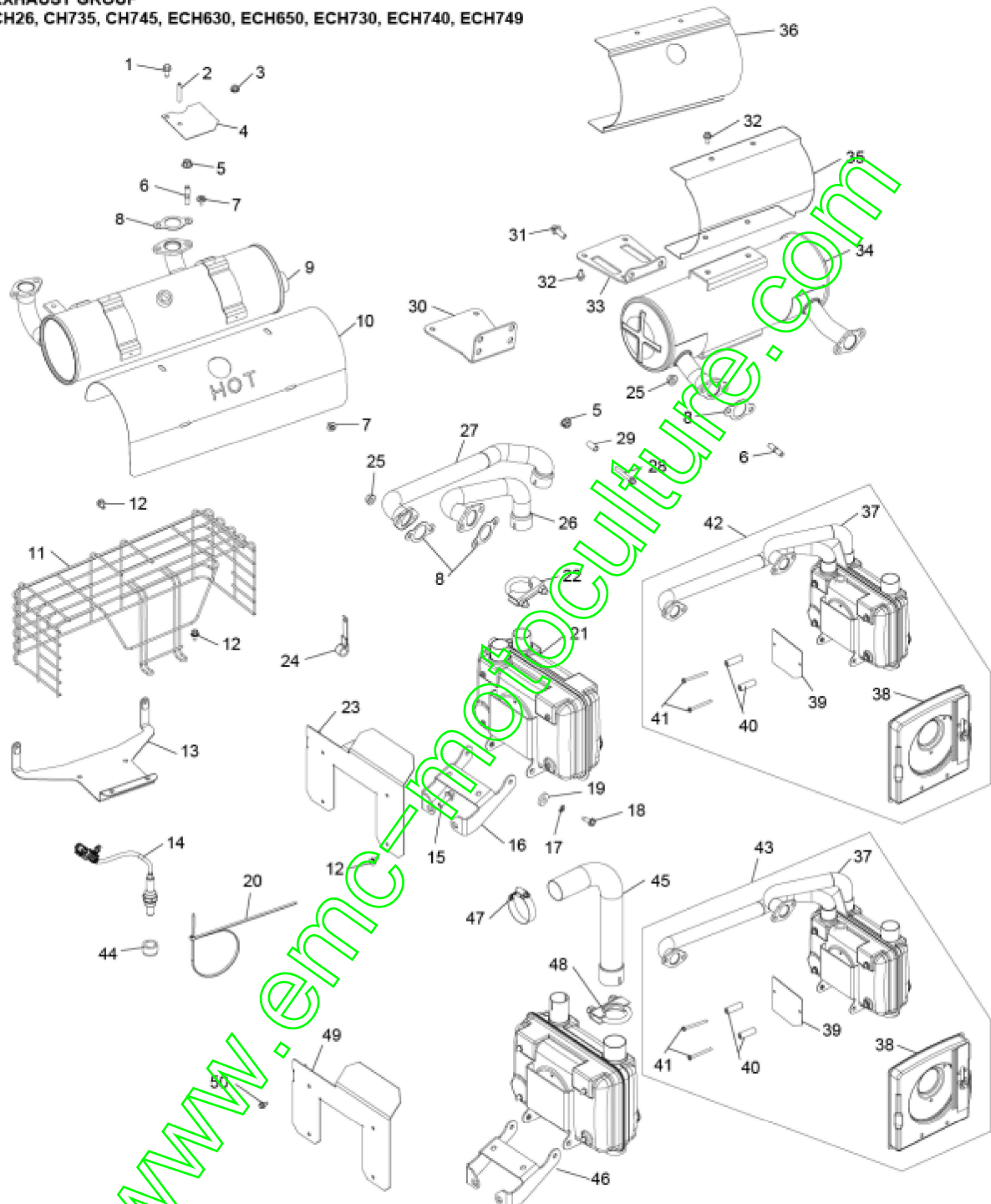


Engine Controls Group 9-24-7

Ref #	Part	Description	Qty
1	M-0547050	Nut, hex. flange M5x0.8	1
3	25 452 13-S	Terminal	1
4	M-0645016	Screw, hex. flange M6x1.0x16	4
6	24 126 13	Bracket, control	1
8	SM-0545016	Screw, hex. flange M5x0.8x16	3
9	24 468 01-S	Washer, plain 5 mm	3
10	24 090 07-S	Lever, throttle actuator	1
11	M-0446030	Nut, hex. flange M4x0.7	2
12	24 090 03-S	Lever, throttle control	1
13	M-0401030	Screw, hex. cap M4x0.7x30	2
14	24 090 05-S	Lever, choke	1
15	24 079 02-S	Linkage, choke	1
16	41 468 03-S	Washer, wave	1
17	SM-0545020	Screw, hex. flange M5x0.8x20	1
18	24 089 01-S	Spring, linkage	1
19	24 090 14-S	Lever, governor	1
20	24 089 15-S	Spring, governor	1
21	M-0641060	Nut, hex. flange M6x1.0	1
22	M-0642025	Screw, hex. cap M6x1.0x25	1
23	25 158 11-S	Bushing, linkage - black	1
24	24 079 01-S	Linkage, throttle	1
25	25 158 08-S	Bushing, linkage - natural	1
26	M-0647060	Nut, hex. M6x1.0	1
27	12 112 01	Spacer	1
28	52 448 02-S	Tab, locking	1
29	24 468 03-S	Washer, wave	2
30	M-0631005	Washer, plain 6 mm	1
31	24 126 06-S	Bracket, speed control shaft	1
32	M-0545010	Screw, hex. flange M5x0.8x10	2
33	X-25-37-S	Washer, plain 3/8"	1
34	25 431 01-S	Spacer	1
35	24 090 06	Lever, speed control shaft	1
36	24 079 03-S	Linkage, speed control	1
37	X-83-4-S	Nut, hex. 3/8-24	1
38	X-25-63-S	Washer, plain 1/4"	1
41	24 378 01-S	Panel, control	1
42	24 086 06-S	Screw, phillips 11-16x3/4"	2
43	24 755 48-S	Kit, speed control shaft w/knob Includes 26,27,29,33,34,44,45. Use before Serial No. 2406300017; after Serial No. 2406300007 or after installation of kit, individual marked* components may be ordered for replacement.	1
44	24 144 20-S	Shaft, speed control	1
45	24 341 02-S	Knob, speed control	1
46	24 225 01-S	Cable, choke	1

Exhaust Group 11-24-3

EXHAUST GROUP
CH26, CH735, CH745, ECH630, ECH650, ECH730, ECH740, ECH749



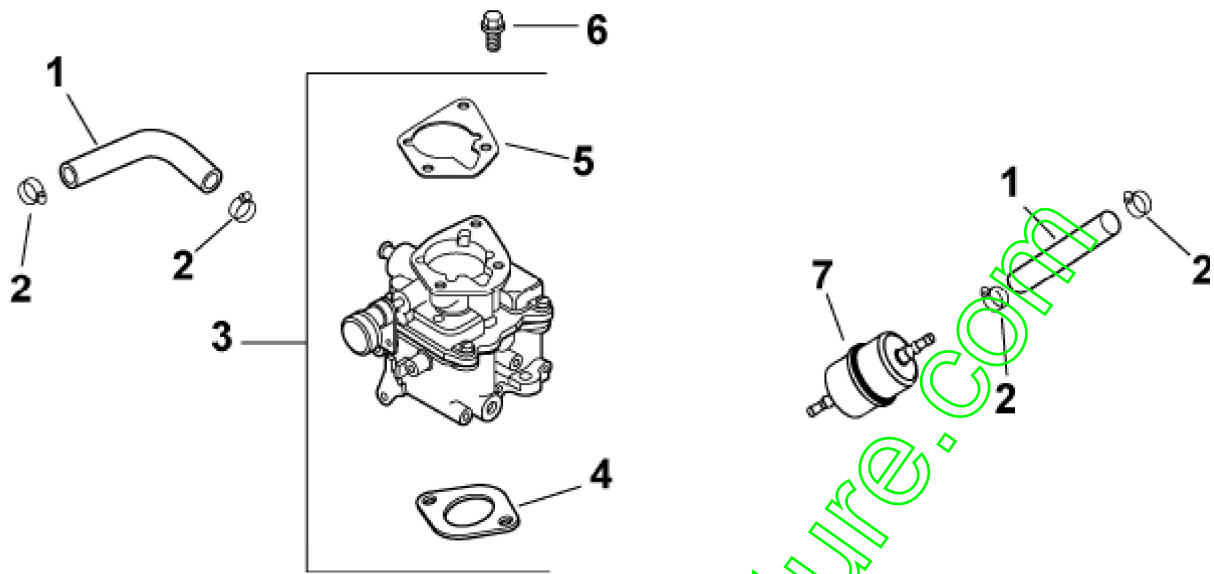
ILLUSTRATIONS ARE REPRESENTATIVE AND ARE NOT INTENDED TO SHOW ALL DETAILS FOR EACH COMPONENT

Exhaust Group 11-24-3

Ref #	Part	Description	Qty
6	25 072 24-S	STUD	4

www.emc-motoculture.com

Fuel System Group 8-24-379



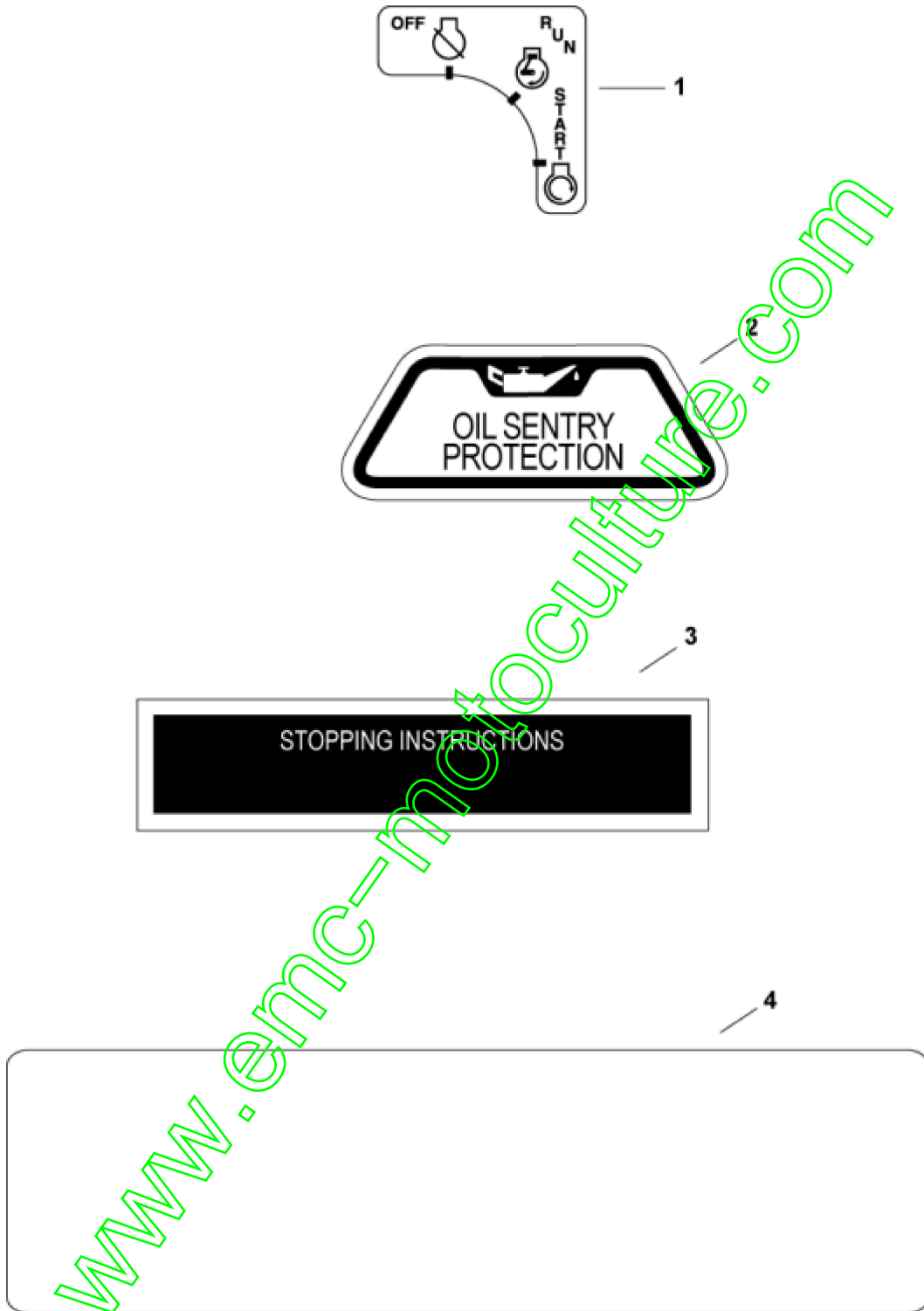
www.emc-motoculture.com

Fuel System Group 8-24-379

Ref #	Part	Description	Qty
1	25 111 34-S	HOSE,LW PERM.FUEL 24.00"-USE 25 111 81-S	2
2	25 237 14-S	CLAMP, HOSE (KM)-USE 25 237 31-S	4
3	24 853 43-S	KIT, CARBURETOR W/GASKETS	1
4	24 041 17-S	GASKET, CARBURETOR	1
5	24 041 06-S	GASKET, AIR CLEANER BASE	1
6	25 086 124-S	SCREW, FLG M6X1.0X25	2
7	24 050 10-S	FILTER, FUEL (9-12 MICRON)-USE 24 050 13	1
	24 755 125-S	KIT, HIGH ALTITUDE (4,000 - 8,000 FT) NOT ILLUSTRATED	1
	24 518 24-S	LEAD, GROUND NOT ILLUSTRATED	1

www.emc-motoculture.com

Identification Group 12-24-52



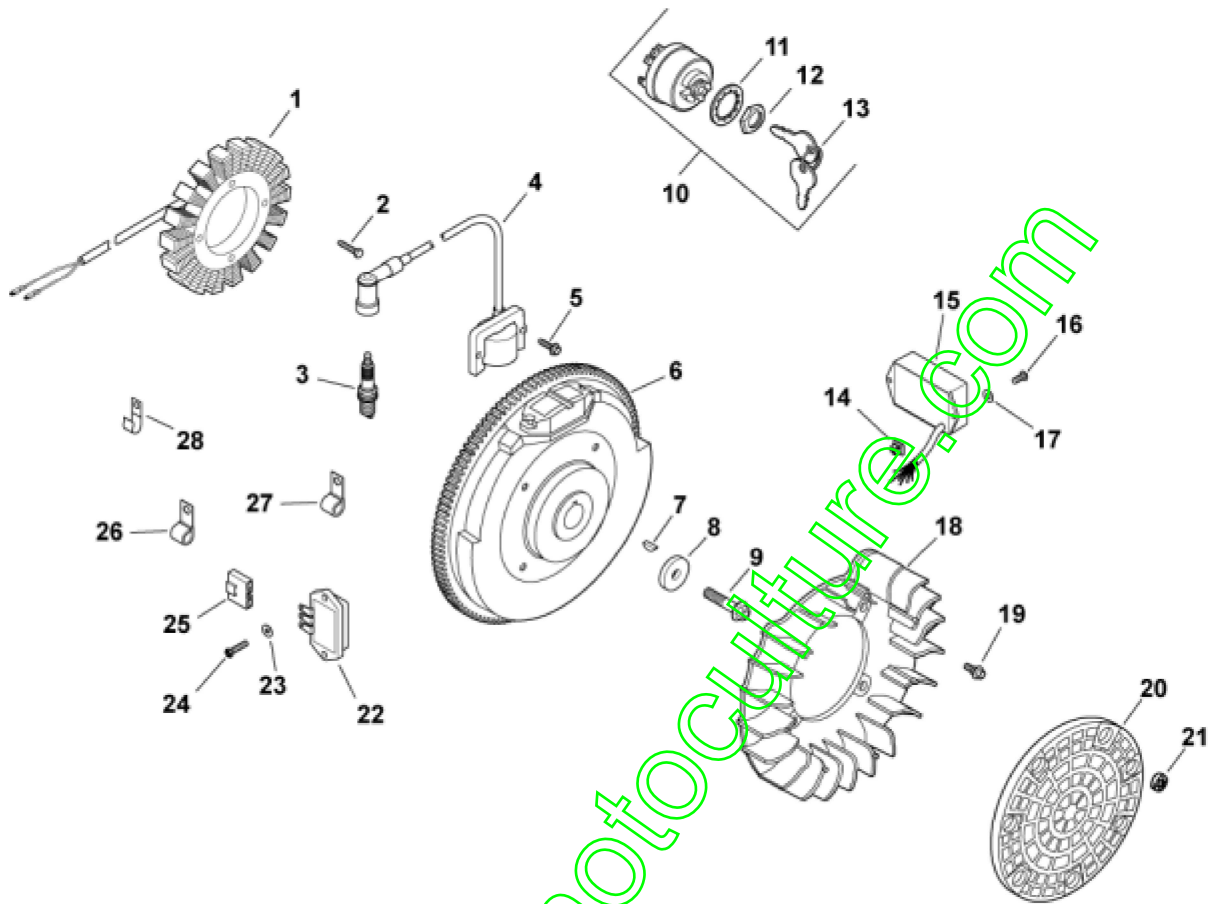
Artwork is representative.
Actual labels may differ depending on model and specification number.

Identification Group 12-24-52

Ref #	Part	Description	Qty
1	24 113 126-S	DECAL, KEY SWITCH	1
2	25 113 05-S	DECAL, OIL SENTRY - (#DSC)	1
3	25 113 17-S	DECAL, STOPPING INSTRUCTION	1
4	24 113 13-S	USE 24 113 71-S LABEL	1

www.emc-motoculture.com

Ignition/Electrical 5-24-79



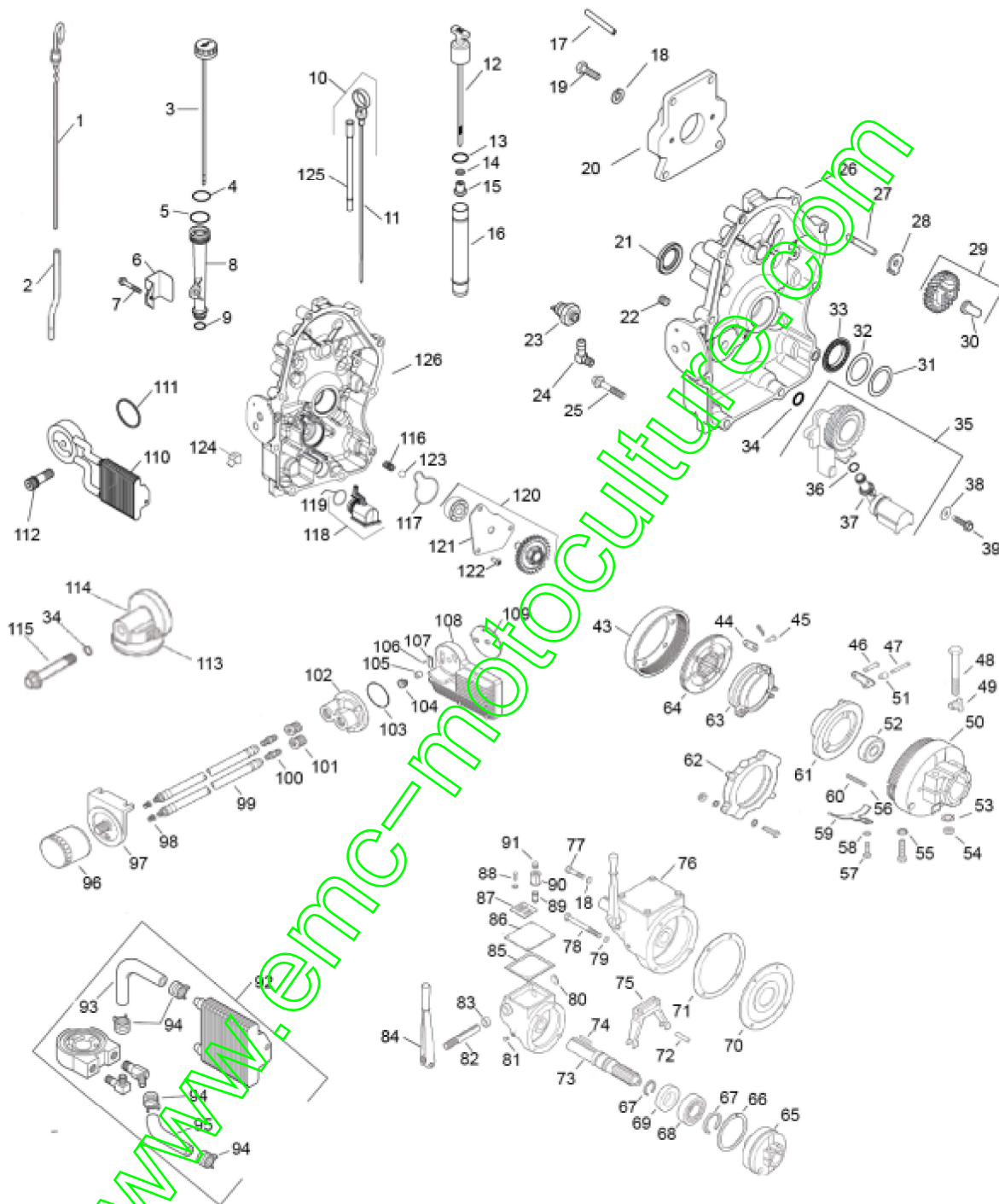
www.emc-motoculture.com

Ignition/Electrical 5-24-79

Ref #	Part	Description	Qty
1	237878-S	KIT, 15 / 20 AMP STATOR (includes 25 452 01-S)	1
2	M-548025-S	SCREW, M5X0.8X25 - (#25086402S)	2
3	12 132 02-S	PLUG, SPARK (STD)	2
4	24 584 36-S	MODULE, IGNITION	2
5	M-561025-S	SCREW, SKT THD FRM M5X0.8X25	4
6	24 025 05-S	FLYWHEEL, PAINTED-USE 24 025 56-S	1
7	X-42-15-S	KEY, 3/16" X 5/8"	1
8	12 468 03-S	WASHER, FLAT 13/32"	1
9	12 086 14-S	SCREW, FLG M10X1.5X45 - (#25086361S)	1
10	25 099 04-S	SWITCH ASSY, KEY (KM)-USE 25 099 32-S (includes 11-13)	1
11	48 468 02-S	WASHER, INTERNAL TOOTH	1
12	48 100 01-S	NUT, KEY SWITCH	1
13	48 340 01-S1	KEY, SET -USE 48 340 01-S	1
14	24 100 02-S	NUT, PLASTIC	2
15	24 584 10-S	MODULE, SPEED ADVANCE-USE 24 584 09	1
16	24 086 41-S	SCREW, PHL HD #11-16X1/2"	2
17	X-25-63-S	WASHER, FLAT 1/4" (O.D. 1/2")	2
18	24 157 01-S	FAN (KM)-USE 24 157 15-S	1
19	25 086 47-S	BOLT, SHOULDER	4
20	24 162 03-S	SCREEN, GRASS (includes 21,22)	1
21	24 018 03-S	RETAINER	4
22	41 403 09-S	REG/RECT-15 AMP (KM)-USE 41 403 10-S	1
23	X-25-92-S	WASHER, FLAT 3/16"	6
24	24 086 18-S	SCREW, PHL HD #11-16X7/8"	2
25	236602-S	CONNECTOR, BODY (KM)-USE 25 155 41-S)	1
26	47 154 01-S	CLIP, CABLE	1
27	24 154 03-S	CLIP, CABLE - USE 24 154 10-S	2
28	48 154 02-S	CLIP	1
	24 518 12-S	LEAD NOT ILLUSTRATED	1
	X-22-11-S	WASHER, INT TOOTH LOCK 1/4" NOT ILLUSTRATED	1
	12 454 03-S	TIE, CABLE NOT ILLUSTRATED	1
	24 176 112-S	HARNESS, WIRING-USE 24 176 150-S NOT ILLUSTRATED	1
	24 518 09-S	LEAD, OIL SENTRY NOT ILLUSTRATED	1
	24 113 126-S	DECAL, KEY SWITCH NOT ILLUSTRATED	1
	25 454 03-S	TIE, WIRE NOT ILLUSTRATED	2
	25 518 34-S	LEAD, 20/25 AMP B+ NOT ILLUSTRATED	1
	25 452 01-S	TERMINAL NOT ILLUSTRATED	2

Lubrication Group 3-24-124

LUBRICATION GROUP
CH18,CH20,CH22,CH23,CH25,CH620,CH640,CH670,CH680,CH730,CH740,CH750



ILLUSTRATIONS ARE REPRESENTATIVE AND ARE NOT INTENDED TO SHOW ALL DETAILS FOR EACH COMPONENT

Lubrication Group 3-24-124

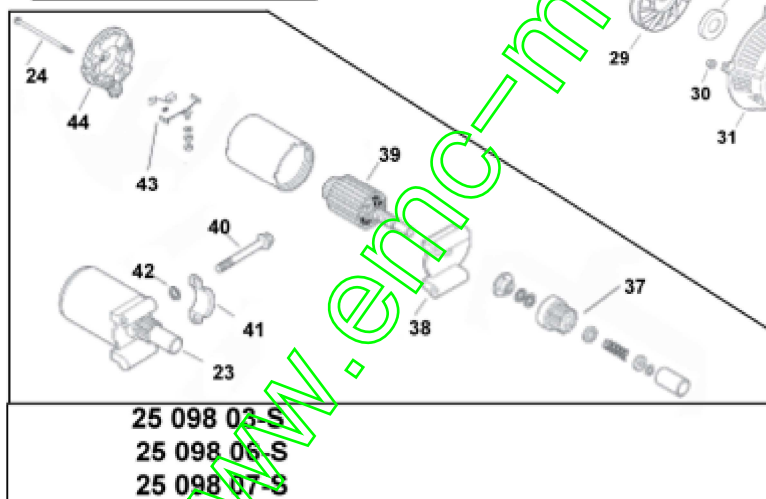
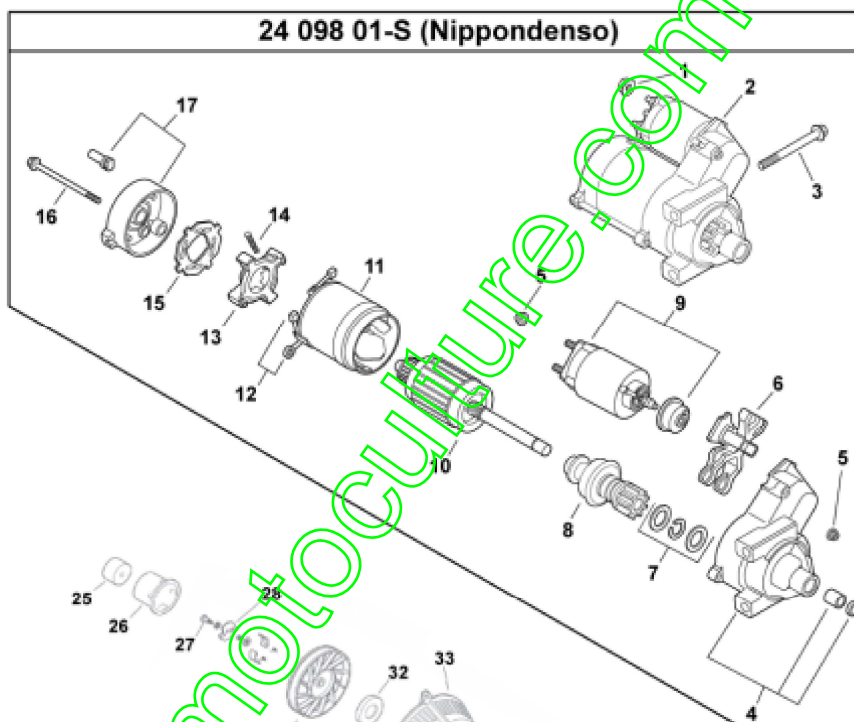
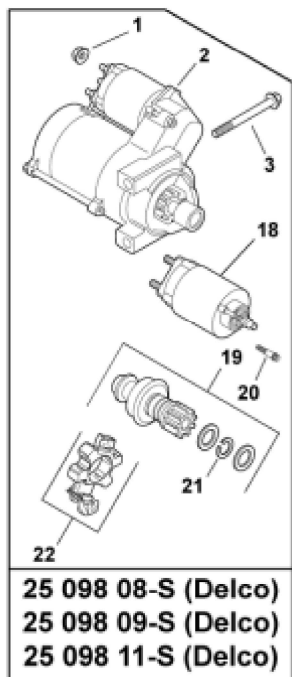
Ref #	Part	Description	Qty
10	24 755 121-S	KIT, DIPSTICK/DIPSTICK TUBES	1
11	24 038 10-S	DIPSTICK	1
21	25 032 06-S	SEAL, OIL	1
22	25 139 60-S	PLUG, CTSK PIPE 1/8"	1
23	25 099 24-S	SWITCH, PRESSURE (CLOSED)-USE 25 099 27-	1
25	24 086 17-S	SCREW, FLG M8X1.25X45	9
25	25 086 17-S	SCREW - DISCONTINUED	1
26	24 009 82-S	USE 24 009 150-S CLOSURE PLATE	1
27	12 144 02-S	SHAFT, GOVERNOR GEAR	1
28	24 448 02-S	TAB, LOCKING	1
29	24 043 12-S	KIT, GOVERNOR GEAR W/PIN	1
30	12 380 01-S	PIN, GOVERNOR REGULATING	1
34	24 153 08-S	O-RING	1
35	24 393 51-S	PUMP ASSEMBLY, OIL-USE 24 393 53-S (Before S/N 4327400011)	1
36	24 153 01-S	O-RING, OIL PICK-UP (Before S/N 4327400011)	1
37	24 381 04-S	PICK-UP, OIL (Before S/N 4327400011)	1
38	M-631005-S	WASHER, FLAT 6 MM (Before S/N 4327400011)	2
39	M-645025-S	SCREW,FLG THD FRM M6X1.0X25- (#25086395S) (Before S/N 4327400011)	2
96	12 050 01-S	OIL FILTER	1
112	24 136 01-S	NIPPLE, OIL FILTER	1
116	24 089 74-S	SPRING, COMPRESSION (After S/N 4327400001)	1
117	24 153 33-S	SEAL, OIL PUMP COVER (After S/N 4327400001)	1
118	24 381 13-S	PICK-UP ASSEMBLY, OIL (After S/N 4327400001)	1
119	24 153 34-S	O-RING, OIL PICK-UP (After S/N 4327400001)	1
120	24 393 70-S	PUMP ASSEMBLY, OIL (After S/N 4327400001)	1
121	24 096 151-S	COVER, OIL PUMP (After S/N 4327400001)	1
122	25 086 414-S	SCREW, BUTTON HEAD (After S/N 4327400001)	3
123	25 194 03-S	PRESSURE RELIEF BALL (After S/N 4327400001)	1
125	24 123 25-S	TUBE, DIPSTICK	1
126	24 009 216-S	CLOSURE PLATE ASSEMBLY (SERVICE)	1

Starting Group 7-24-5

STARTING GROUP

CH18,CH20,CH22,CH23,CH25,CH620,CH640,CH670,CH680,CH730,CH740,CH750

Service starter components according to the part number printed on the starter. Starter components are NOT interchangeable.



ILLUSTRATIONS ARE REPRESENTATIVE AND ARE NOT INTENDED TO SHOW ALL DETAILS FOR EACH COMPONENT

Starting Group 7-24-5

Ref #	Part	Description	Qty
1	M-841080-S	NUT, FLG M8X1.25	1
2	25 098 11-S	ELECTRIC STARTER - SOLENOID SHIFT	1
3	M-851080-S	SCREW, FLG M8X1.25X80	2
18	25 435 06-S	KIT, SOLENOID	1
19	25 755 33-S	KIT, STARTER PINION	1
20	25 086 113-S	SCREW, EXTERNAL TORX HEAD	3
21	25 141 05-S	RING, RETAINING	1
22	25 221 01-S	KIT, BRUSH HOLDER	1

www.emc-motoculture.com