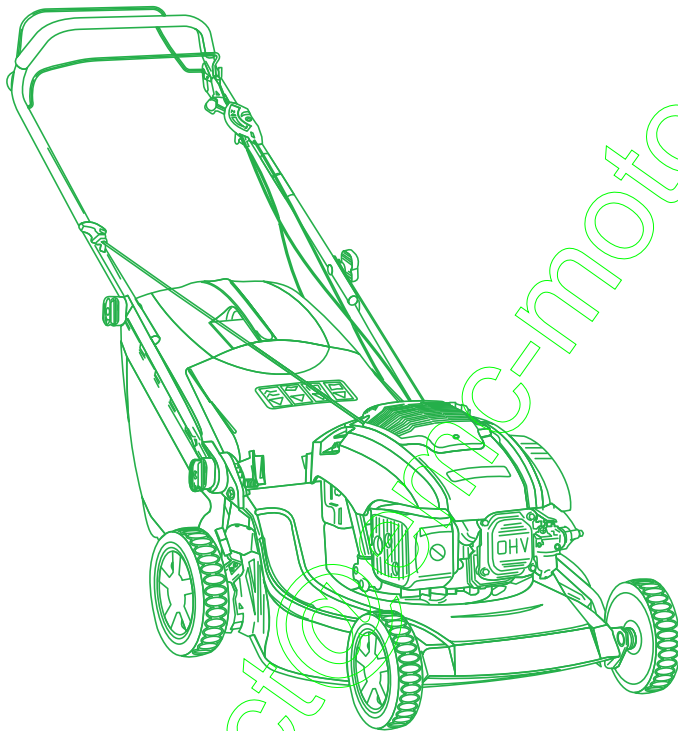


ILLUSTRATED PARTS LIST

CRC-CSC 534 WS
CRC-CSC 534 WSE
CRC-CSC 534 WSQ
CRC-CSC 534 WSQE

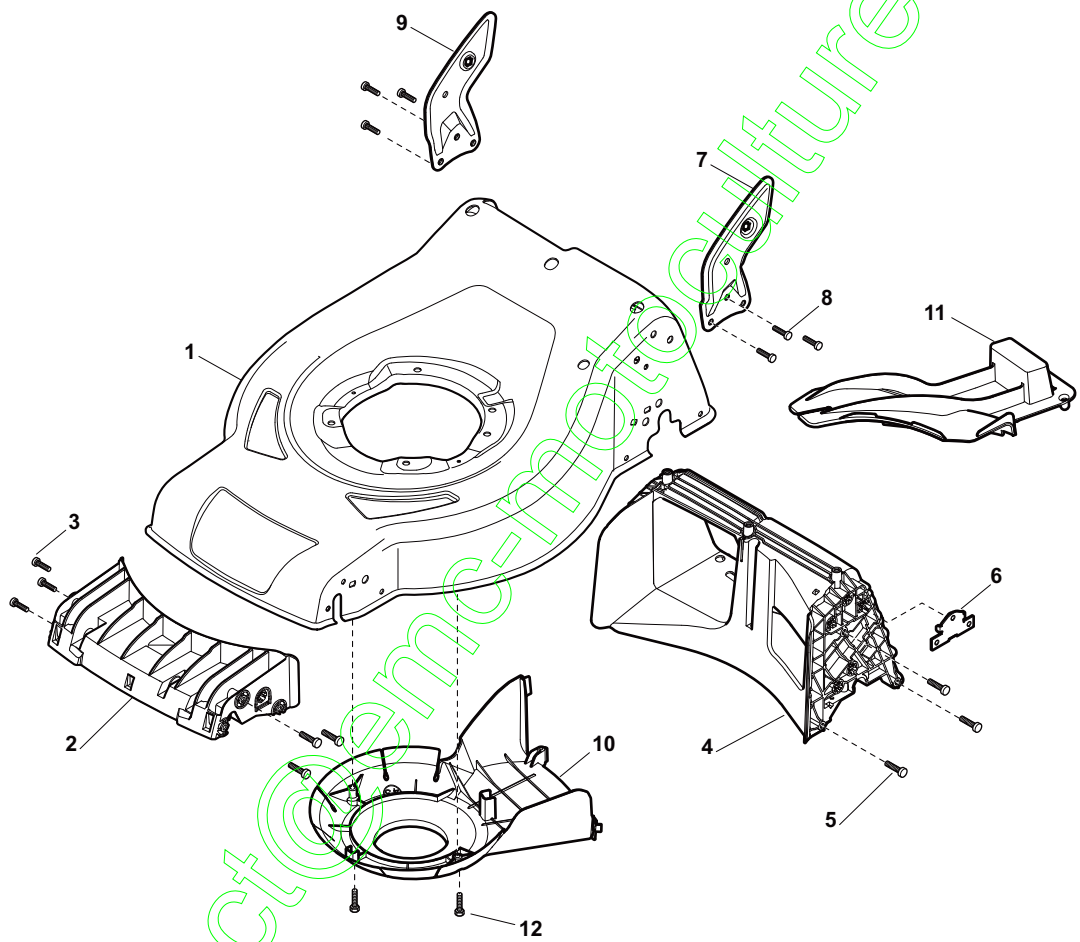


- Use GLOBAL GARDEN PRODUCT Genuine Spare Parts specified in the parts list for repair and/or replacement.
- The contents described in the parts list may change due to improvement.
- The drawings of the spare parts are only indicative and might not represent the part in question exactly.
- The indications "right" - "left" - "front" - "rear" refer to the position of the operator when using the machine.
- When placing orders of parts for repair and/or replacement, make sure that the illustrated parts list is the one applying to the machine's year of manufacture, as shown on the identification plate attached to the machine.

© Copyright 2012 Global Garden Products

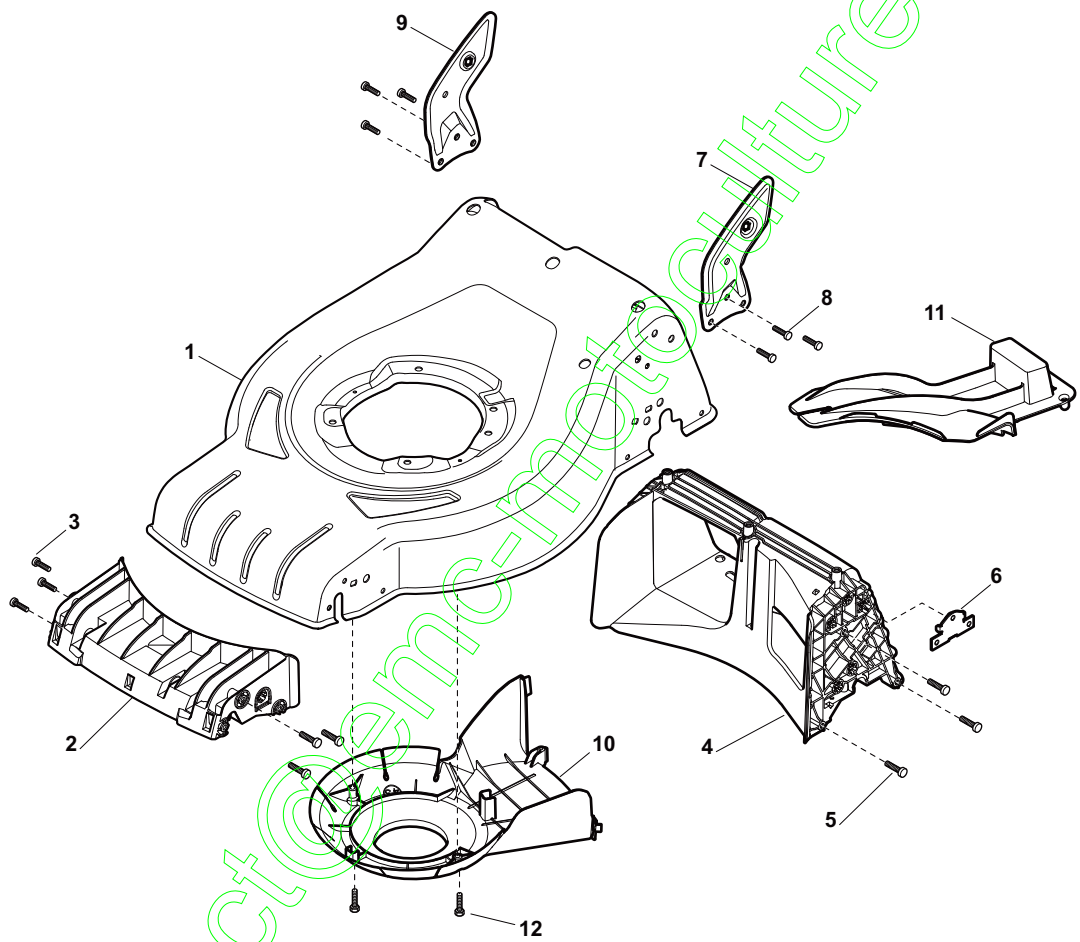
All content is subject to copyright by Global Garden Products and may not be reproduced in whole or in part by any means, electronic or otherwise, without prior written approval.

THIS INFORMATION IS NOT INTENDED FOR SALE OR RESALE, AND THIS NOTICE MUST REMAIN ON ALL COPIES.



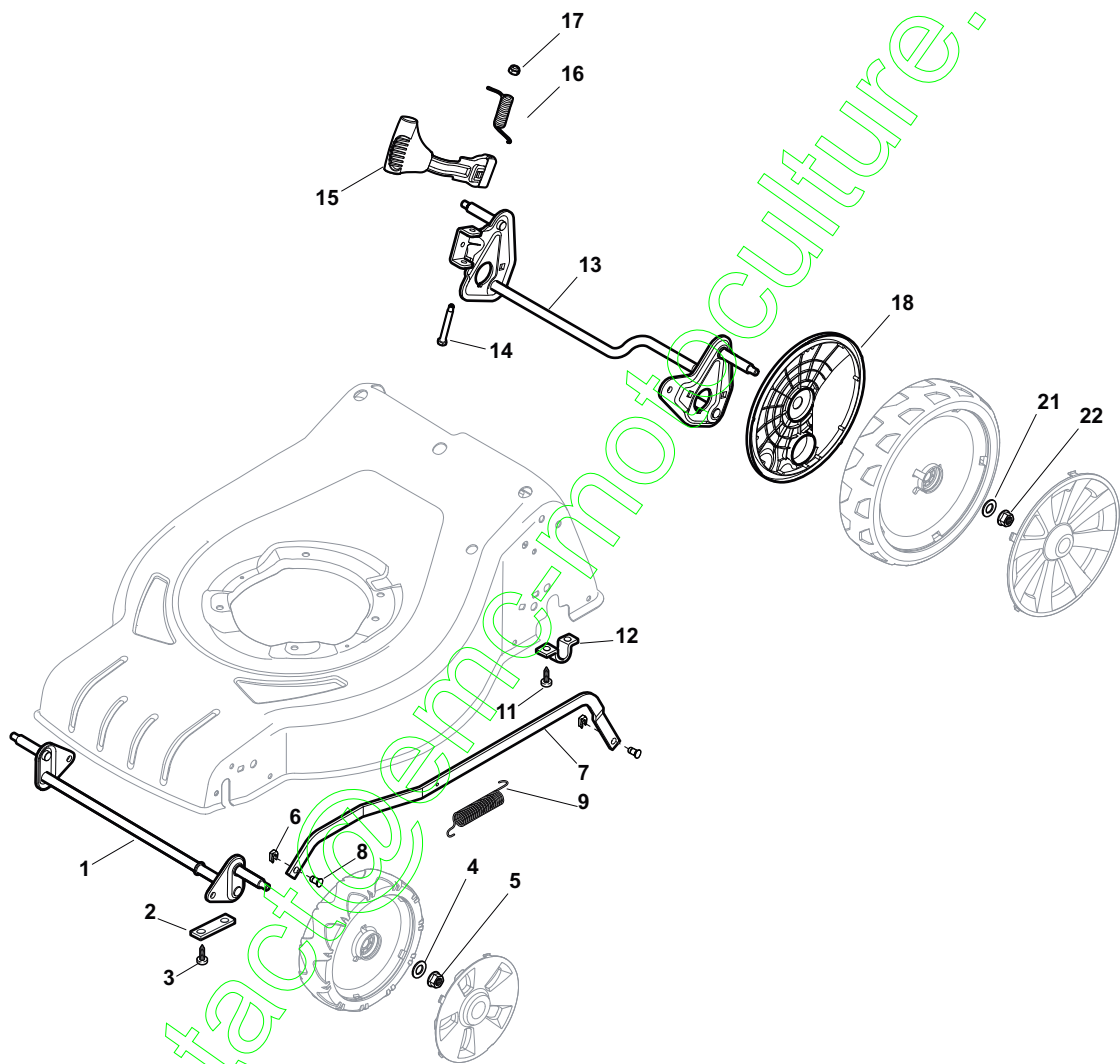
POS	PART. NO	Q.ty	DESCRIPTION	DESCRIZIONE	DESCRIPTION	BESCHREIBUNG	REMARKS
1	381004546/0	1	Deck Black	Chassis Nero	Châssis Noir	Gehäuse Schwarz	
1	381004547/0	1	Deck Red	Chassis Rosso	Châssis Rouge	Gehäuse Rot	Side Discharge
1	381004549/0	1	Deck Red	Chassis Rosso	Châssis Rouge	Gehäuse Rot	
2	322108308/0	1	Rear Conveyor Assy	Convogl. Posteriore	Ens. Convoyeur Post.	Hinterleitblechsatz	
3	112728699/0	6	Screw	Vite	Vis	Schraube	
4	322108302/0	1	Rear Conveyor Assy	Convogl. Posteriore	Ens. Convoyeur Post.	Hinterleitblechsatz	
5	112728699/0	6	Screw	Vite	Vis	Schraube	
6	322545213/0	2	Plate	Piastrina	Plaquette	Plättchen	
7	381005167/0	1	Bracket, L	Staffa Sx	Etrier Gauche	Steigbügel, Linke	
8	112727801/0	6	Screw	Vite	Vis	Schraube	
9	381005165/0	1	Bracket, R	Staffa Dx	Etrier Droit	Steigbügel, Rechte	
10	322060250/0	1	Protection, Belt	Carter Cinghia	Protection Courroie	Schutz, Riemen	
11	322140244/0	1	Mulching Plug	Tappo Mulching	Bouchon Mulching	Gummistopfen Mulching	
12	112728530/0	2	Screw	Vite	Vis	Schraube	

contact@emc-motoculture.com



POS	PART. NO	Q.ty	DESCRIPTION	DESCRIZIONE	DESCRIPTION	BESCHREIBUNG	REMARKS
1	381004550/0	1	Deck Black	Chassis Nero	Châssis Noir	Gehäuse Schwarz	
1	381004615/0	1	Deck Red	Chassis Rosso	Châssis Rouge	Gehäuse Rot	
1	381004617/0	1	Deck Red	Chassis Rosso	Châssis Rouge	Gehäuse Rot	Side Discharge
2	322108308/0	1	Rear Conveyor Assy	Convogl. Posteriore	Ens. Convoyeur Post.	Hinterleitblechsatz	
3	112728699/0	6	Screw	Vite	Vis	Schraube	
4	322108302/0	1	Rear Conveyor Assy	Convogl. Posteriore	Ens. Convoyeur Post.	Hinterleitblechsatz	
5	112728699/0	6	Screw	Vite	Vis	Schraube	
6	322545213/0	2	Plate	Piastrina	Plaquette	Plättchen	
7	381005167/0	1	Bracket, L	Staffa Sx	Etrier Gauche	Steigbügel, Linke	
8	112727801/0	6	Screw	Vite	Vis	Schraube	
9	381005165/0	1	Bracket, R	Staffa Dx	Etrier Droit	Steigbügel, Rechte	
10	322060250/0	1	Protection, Belt	Carter Cinghia	Protection Courroie	Schutz, Riemen	
11	322140244/0	1	Mulching Plug	Tappo Mulching	Bouchon Mulching	Gummistopfen Mulching	
12	112728530/0	2	Screw	Vite	Vis	Schraube	

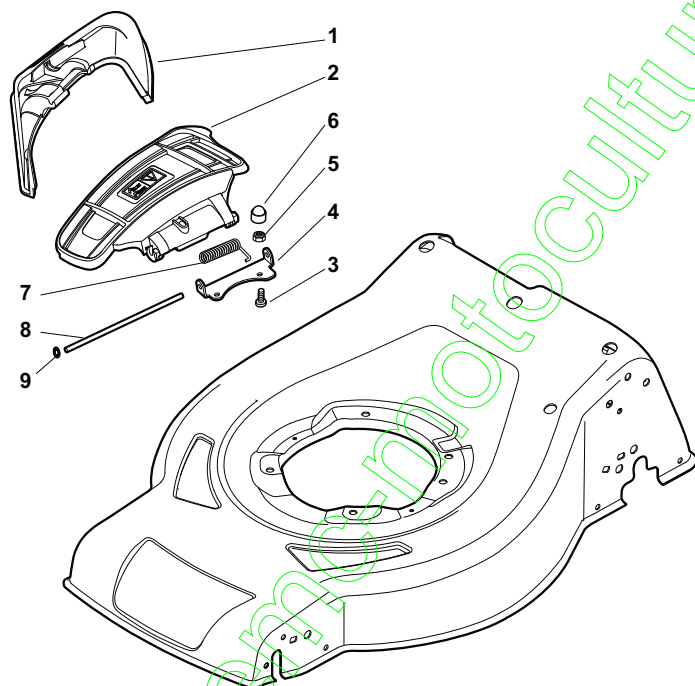
contact@emc-motoculture.com



POS	PART. NO	Q.ty	DESCRIPTION	DESCRIZIONE	DESCRIPTION	BESCHREIBUNG	REMARKS
1	381302853/0	1	Axle, Front Wheels	Asse Ruote Anteriori	Axe Roues Avant	Achse, Vorderrad	
2	322545142/0	2	Plate	Piastrina	Plaquette	Plättchen	
3	112728698/0	4	Screw	Vite	Vis	Schraube	
4	112521350/0	2	Washer	Rosetta	Rondelle	Scheibe	
5	112155000/0	2	Nut	Dado	Ecrou	Mutter	
6	112436051/0	2	Plate	Piastrina	Plaquette	Plättchen	
7	322869679/0	1	Rod, Height Adjustment	Asta Comando Regol. Altezza	Tige Commande Reglage Hauteur	Stange, Höneverstellung	
8	122519823/0	2	Pin	Perno	Pivot	Bolzen	
9	122446193/0	1	Spring	Molla	Ressort	Feder	
11	112728698/0	4	Screw	Vite	Vis	Schraube	
12	322545152/0	2	Plate	Piastrina	Plaquette	Plättchen	
13	381302849/0	1	Axle, Rear Wheels	Asse Ruote Posteriore	Axe Roues Arriere	Achse, Hinterrad	
14	122534131/0	1	Pin	Perno	Pivot	Bolzen	
15	381003356/0	1	Lever, Height Adjustment	Leva Regolazione Altezza	Levier Reglage Hauteur	Hebel, Höneverstellung	
16	122446192/0	1	Spring	Molla	Ressort	Feder	
17	112154510/0	1	Nut	Dado	Ecrou	Mutter	
18	322600240/0	2	Stone-Guard	Parasassi	Pare-Pierres	Prallblech	
21	112521350/0	2	Washer	Rosetta	Rondelle	Scheibe	
22	112155000/0	2	Nut	Dado	Ecrou	Mutter	

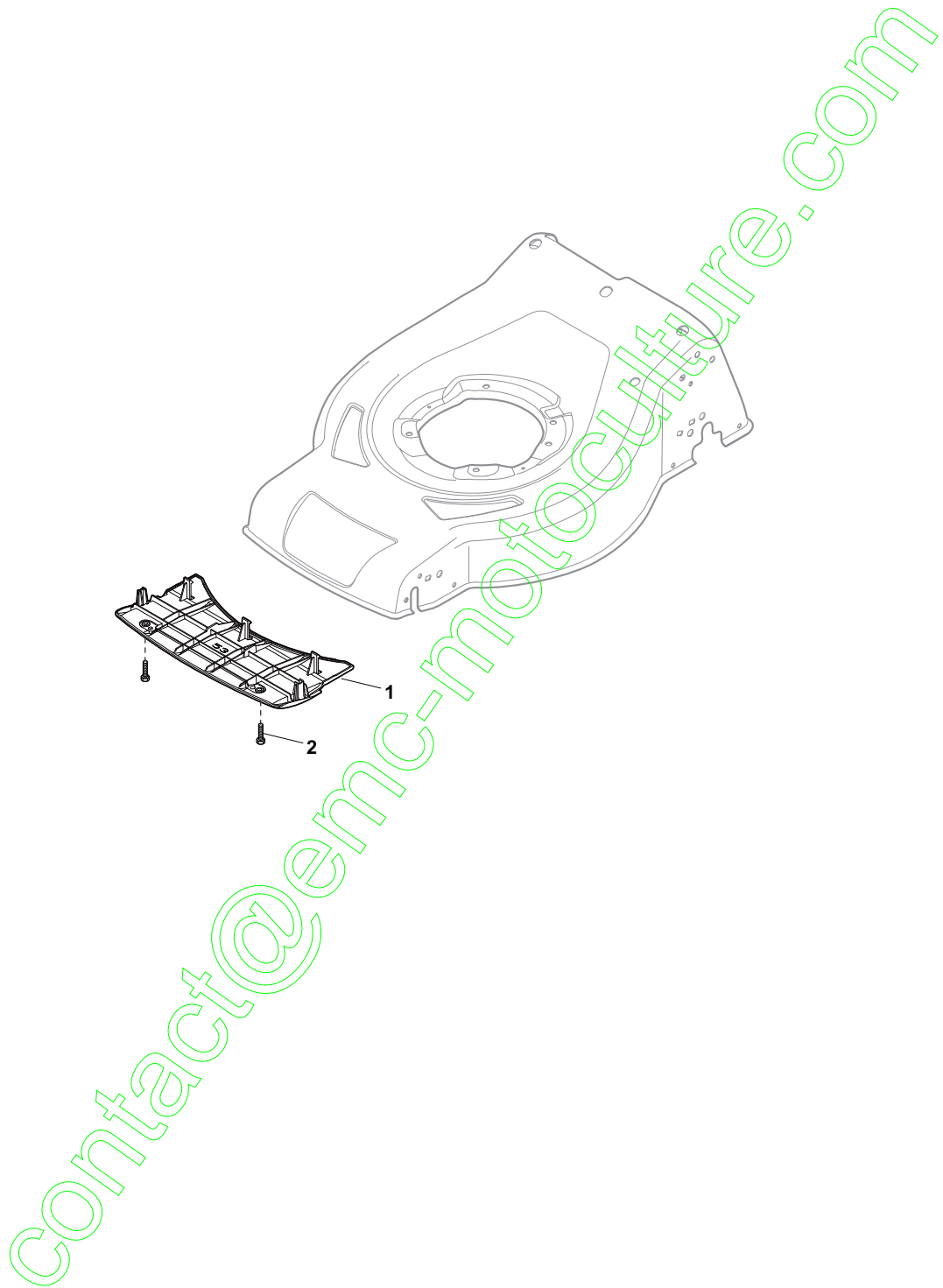
contact@emc-motoculture.com

contact@emotoculture.com



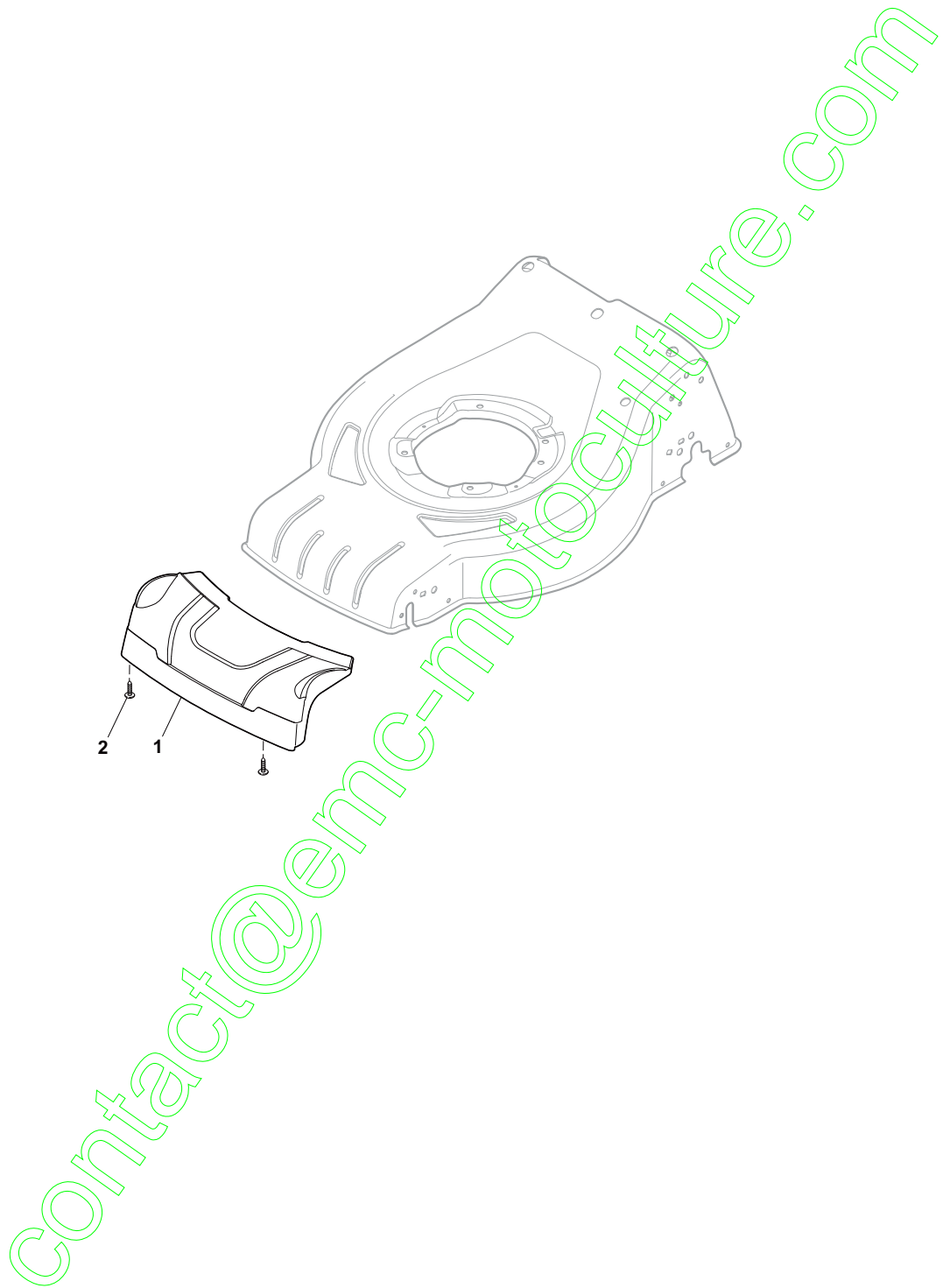
POS	PART. NO	Q.ty	DESCRIPTION	DESCRIZIONE	DESCRIPTION	BESCHREIBUNG	REMARKS
1	322108309/0	1	Rear Conveyor Assy	Convogl. Posteriore	Ens. Convoyeur Post.	Hinterleitblechsatz	
2	322600238/0	1	Ejection Guard	Protezione Uscita	Protection Sortie	Auswurfschutz	
3	112727803/0	2	Screw	Vite	Vis	Schraube	
4	322806639/0	1	Fulcrum Pin	Perno Fulcro	Pivot	Gelenkpunkt	
5	112154510/0	2	Nut	Dado	Ecrou	Mutter	
6	118203853/0	2	Protection	Cappuccio	Capuchon	Stecker	
7	122450456/0	1	Spring	Molla	Ressort	Feder	
8	122517869/0	1	Pin	Perno	Pivot	Bolzen	
9	112604896/0	2	Crown Fastener	Fissatore A Corona	Fixateur A Couronne	Kronescheibe	

contact@enc-motoculture.com



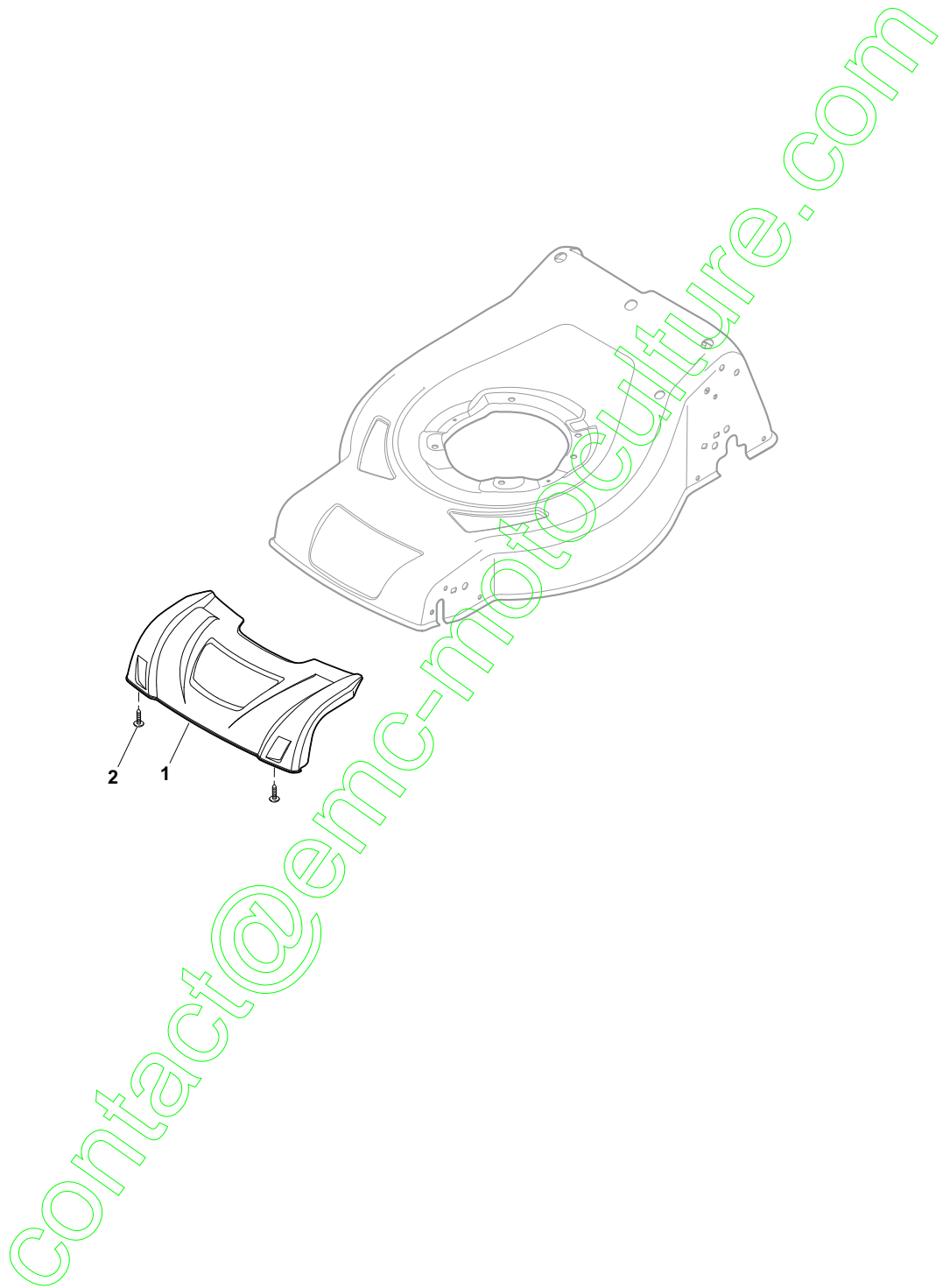
POS	PART. NO	Q.ty	DESCRIPTION	DESCRIZIONE	DESCRIPTION	BESCHREIBUNG	REMARKS
1	322500107/0	1	Front Combi	Pettine Anteriore	Vorne Comb	Peigne Avant	
2	112728698/0	2	Screw	Vite	Vis	Schraube	

contact@enc-motoculture.com



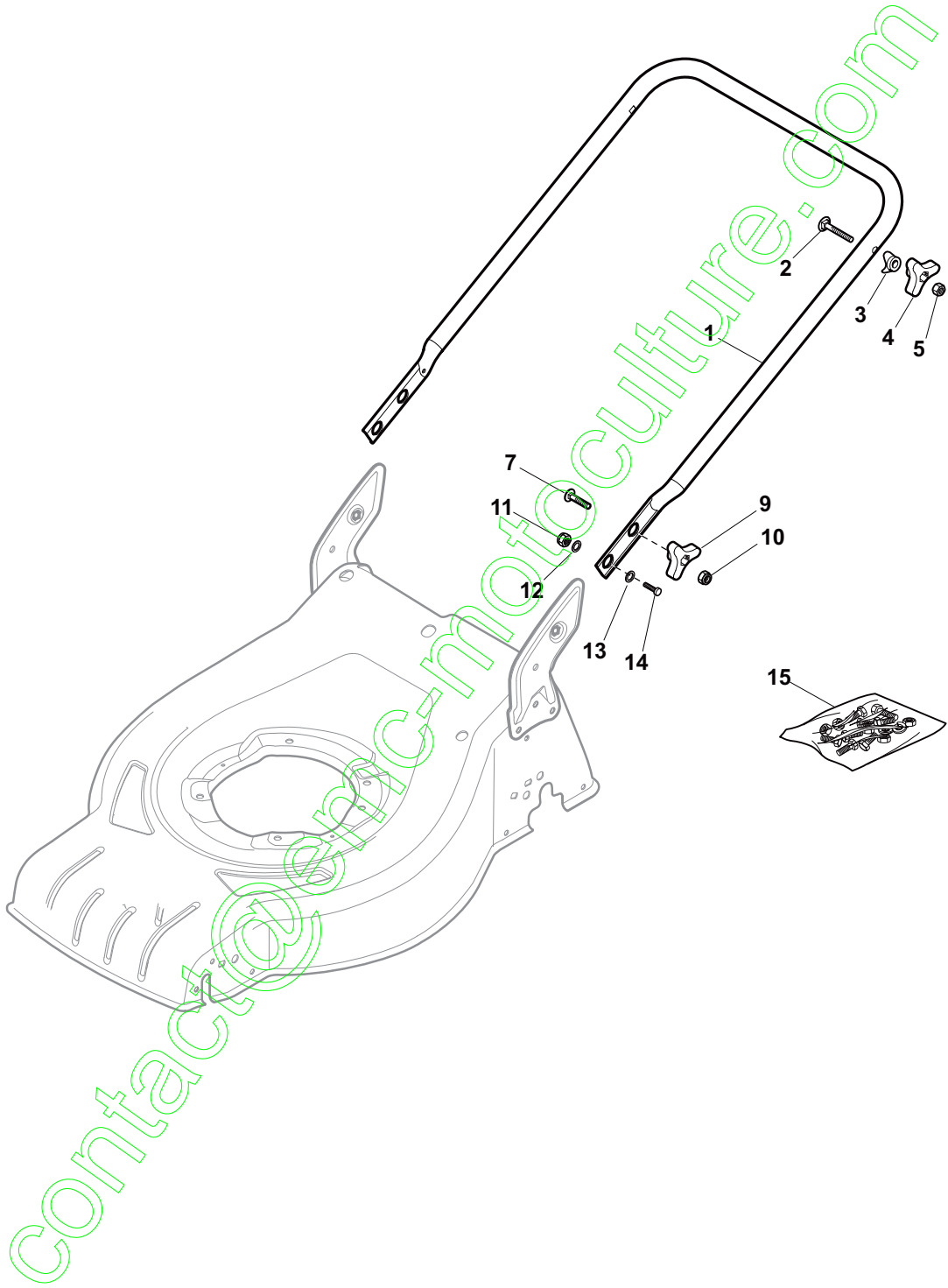
POS	PART. NO	Q.ty	DESCRIPTION	DESCRIZIONE	DESCRIPTION	BESCHREIBUNG	REMARKS
1	322226171/0	1	Mask, Black	Mascherina, Nero	Mesque, Noir	Maske, Schwarz	
2	112728698/0	2	Screw	Vite	Vis	Schraube	

contact@enc-motoculture.com



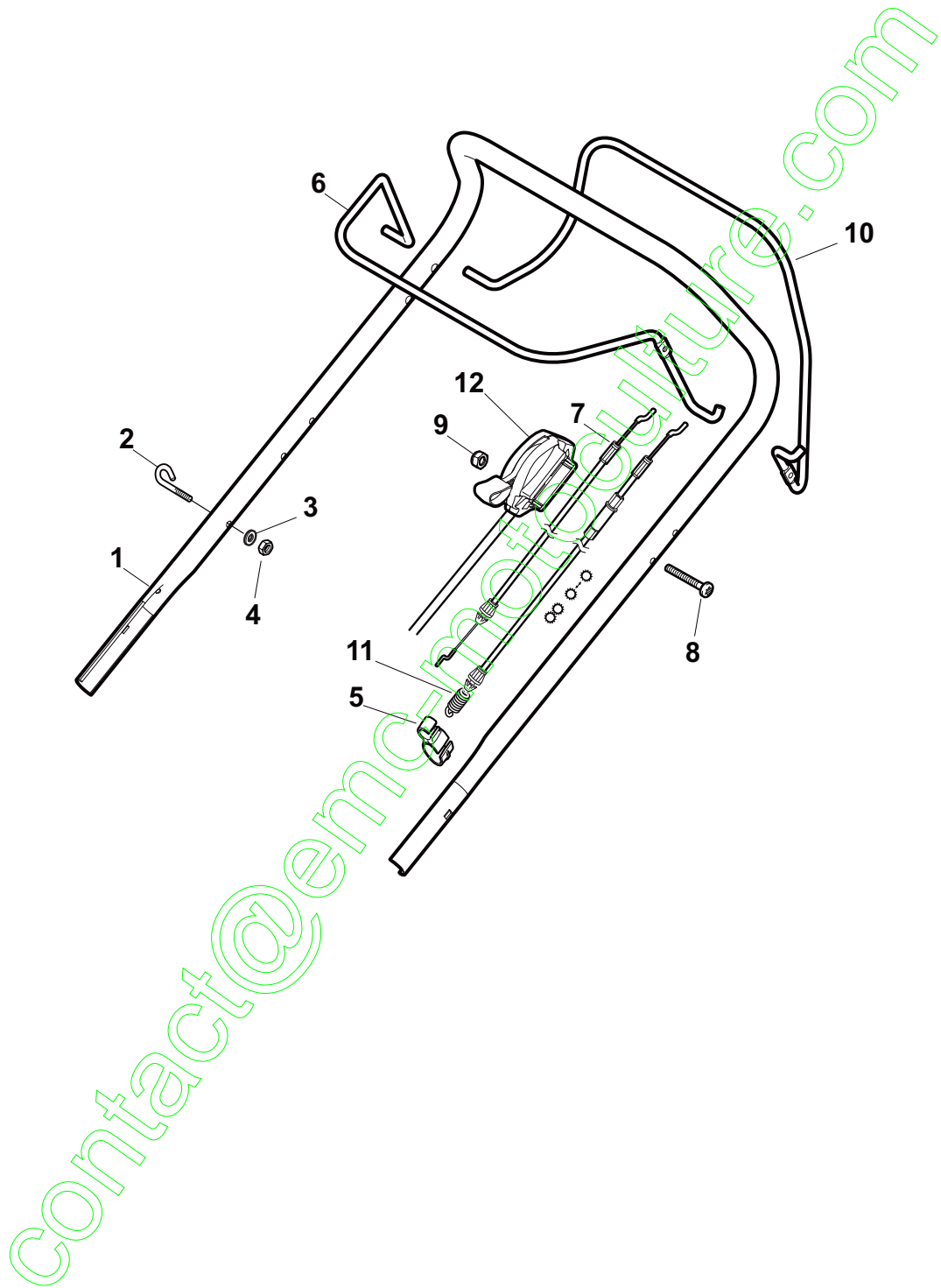
POS	PART. NO	Q.ty	DESCRIPTION	DESCRIZIONE	DESCRIPTION	BESCHREIBUNG	REMARKS
1	322226169/0	1	Mask, Black	Mascherina, Nero	Mesque, Noir	Maske, Schwarz	
2	112728698/0	2	Screw	Vite	Vis	Schraube	

contact@enc-motoculture.com



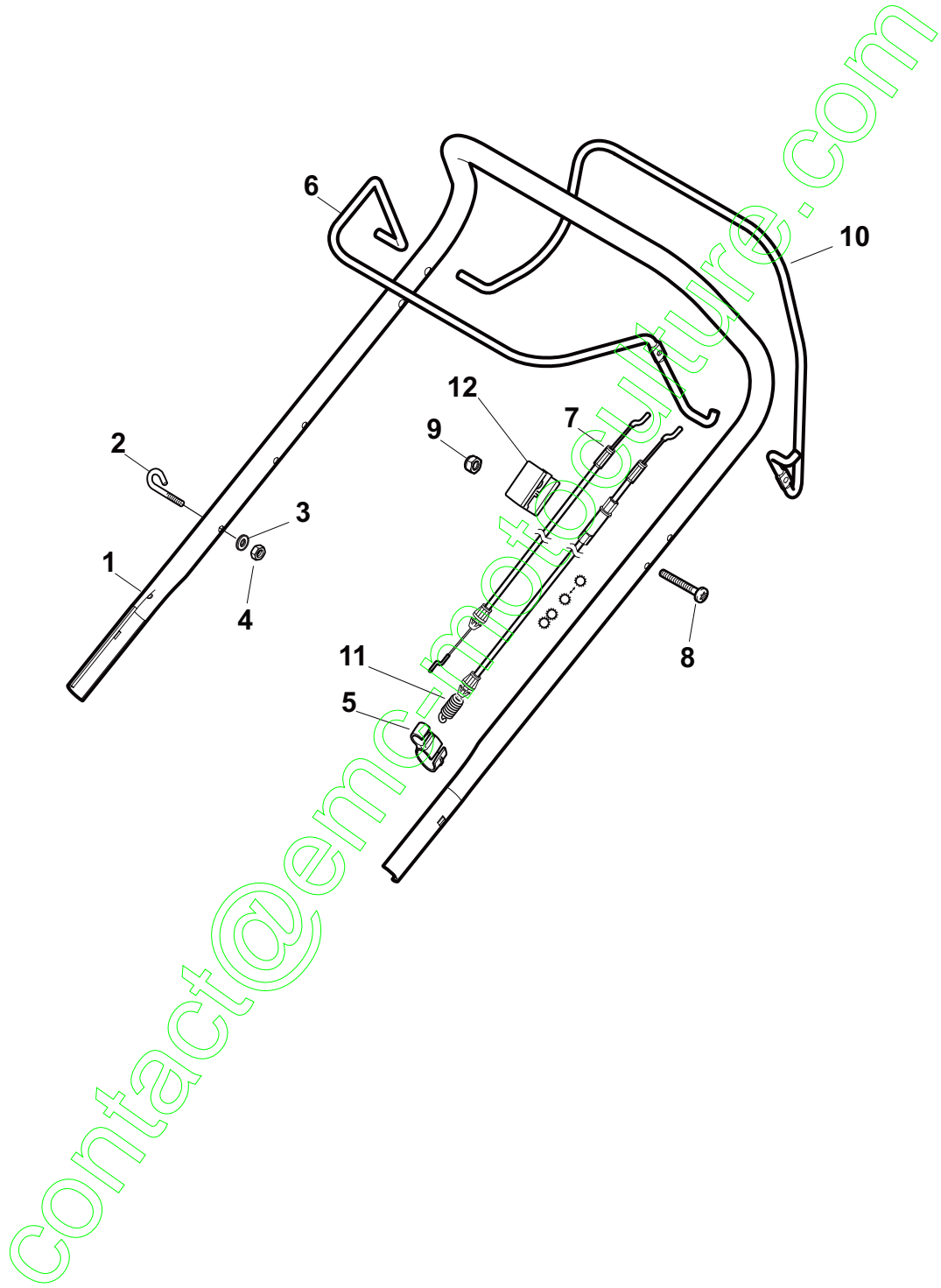
POS	PART. NO	Q.ty	DESCRIPTION	DESCRIZIONE	DESCRIPTION	BESCHREIBUNG	REMARKS
1	381006785/0	1	Handle, Lower Part	Parte Inf Maniglia	Poignée, Partie Inferieure	Griff, Unterteil	
2	112819110/0	2	Screw	Vite	Vis	Schraube	
3	122671651/0	2	Washer	Rosetta	Rondelle	Scheibe	
4	122399900/0	2	Knob	Manopolina	Poignée	Griff	Black
4	322399840/0	2	Knob	Manopolina	Poignée	Griff	Yellow
4	322399846/0	2	Knob	Manopolina	Poignée	Griff	Red
5	112293200/0	2	Nut	Dado	Ecrou	Mutter	
7	112818900/0	2	Screw	Vite	Vis	Schraube	
9	122399900/0	2	Knob	Manopolina	Poignée	Griff	Black
9	322399840/0	2	Knob	Manopolina	Poignée	Griff	Yellow
9	322399846/0	2	Knob	Manopolina	Poignée	Griff	Red
10	112293200/0	2	Nut	Dado	Ecrou	Mutter	
11	112155000/0	2	Nut	Dado	Ecrou	Mutter	
12	112521350/0	2	Washer	Rosetta	Rondelle	Scheibe	
13	112369500/0	2	Elastic Washer	Disco Elastico	Disque Elastique	Federscheibe	
14	112760605/0	2	Screw	Vite	Vis	Schraube	
15	381008691/0	1	Outfit, Screws	Dotazione Viteria	Dotation Visserie	Satz, Schrauben	Black
15	381008692/0	1	Outfit, Screws	Dotazione Viteria	Dotation Visserie	Satz, Schrauben	Yellow
15	381008695/0	1	Outfit, Screws	Dotazione Viteria	Dotation Visserie	Satz, Schrauben	Red

contact@emc-motoculturi.com

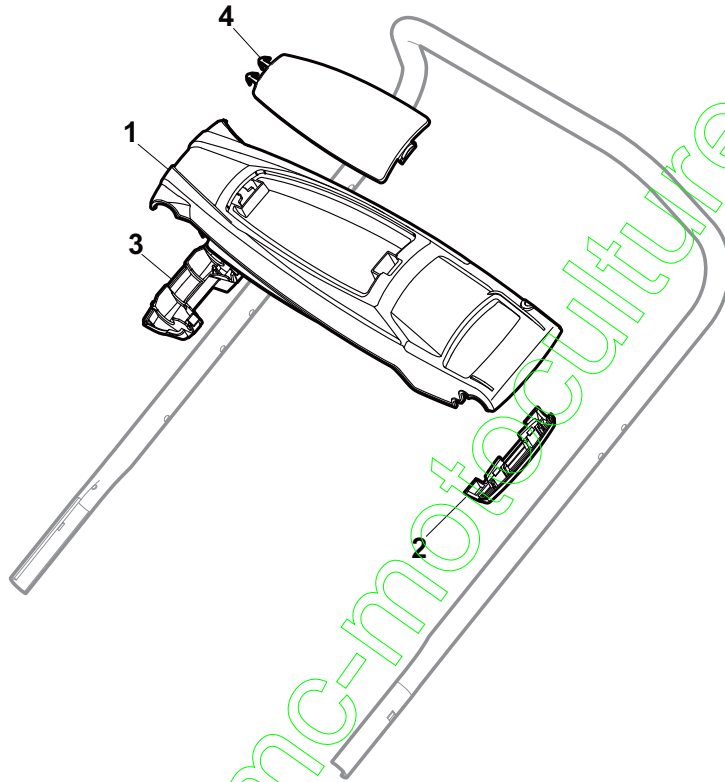


POS	PART. NO	Q.ty	DESCRIPTION	DESCRIZIONE	DESCRIPTION	BESCHREIBUNG	REMARKS
1	381006739/1	1	Handle, Upper Part	Manico, Parte Sup	Mancheron, Partie Superieure	Holm, Oberteil	
1	381006745/1	1	Handle, Upper Part with sponge handgrip	Manico, Parte Sup. con impugantura in spugna	Mancheron, Partie Superieure avec éponge poignée	Holm, Oberteil Handgriff Schwamm	
2	122430313/0	1	Guide Spring	Molla Guida	Ressort De Guide	Feder Führer	
3	112521330/0	1	Washer	Rosetta	Rondelle	Scheibe	
4	112154510/0	1	Nut	Dado	Ecrou	Mutter	
5	118390020/0	1	Fairlead	Fermacavo	Fixation Cable	Kabelbefestigung	
6	181003363/1	1	Lever, Engine Brake Black	Leva Freno Motore Nero	Levier Frein Moteur Noir	Hebel, Motorbremse Schwarz	Black
6	381003365/0	1	Lever, Engine Brake Yellow	Leva Freno Motore, Giallo	Levier Frein Moteur Jaune	Hebel, Motorbremse, Gelb	Yellow
6	381003376/0	1	Lever, Engine Brake Red	Leva Freno Motore, Rosso	Levier Frein Moteur Rouge	Hebel, Motorbremse, Rot	Red
7	181030054/0	1	Cable, Thread Engine Brake	Cavo Freno Motore	Cable Frein Moteur	Kabel, Motorbremse	
7	181030087/0	1	Cable, Thread Engine Brake	Cavo Freno Motore	Cable Frein Moteur	Kabel, Motorbremse	GGP-B&S
7	181030088/0	1	Cable, Thread Engine Brake	Cavo Freno Motore	Cable Frein Moteur	Kabel, Motorbremse	Honda
8	112727788/0	1	Screw	Vite	Vis	Schraube	
9	112154510/0	1	Nut	Dado	Ecrou	Mutter	
10	181003364/0	1	Lever, Driving Black	Leva Trazione Nero	Levier Traction Noir	Hebel, Antrieb Schwarz	Black
10	381003366/0	1	Lever, Driving Yellow	Leva Trazione Giallo	Levier Traction Jaune	Hebel, Antrieb Gelb	Yellow
10	381003377/0	1	Lever, Driving Red	Leva Trazione Rosso	Levier Traction Rouge	Hebel, Antrieb Rot	Red
11	381030051/0	1	Cable, Rear Drive	Cavo Comando Trazione	Cable, Comm. Traction	Kabel, Antrieb	
12	181005511/0	1	Throttle Cable	Cavo Acceleratore	Cable, Accelérateur	Gashebel Kabel	B&S
12	181005517/0	1	Throttle Cable	Cavo Acceleratore	Cable, Accelérateur	Gashebel Kabel	GGP
12	181005517/0	1	Throttle Cable	Cavo Acceleratore	Cable, Accelérateur	Gashebel Kabel	Honda

contact@emc-motorculture.com

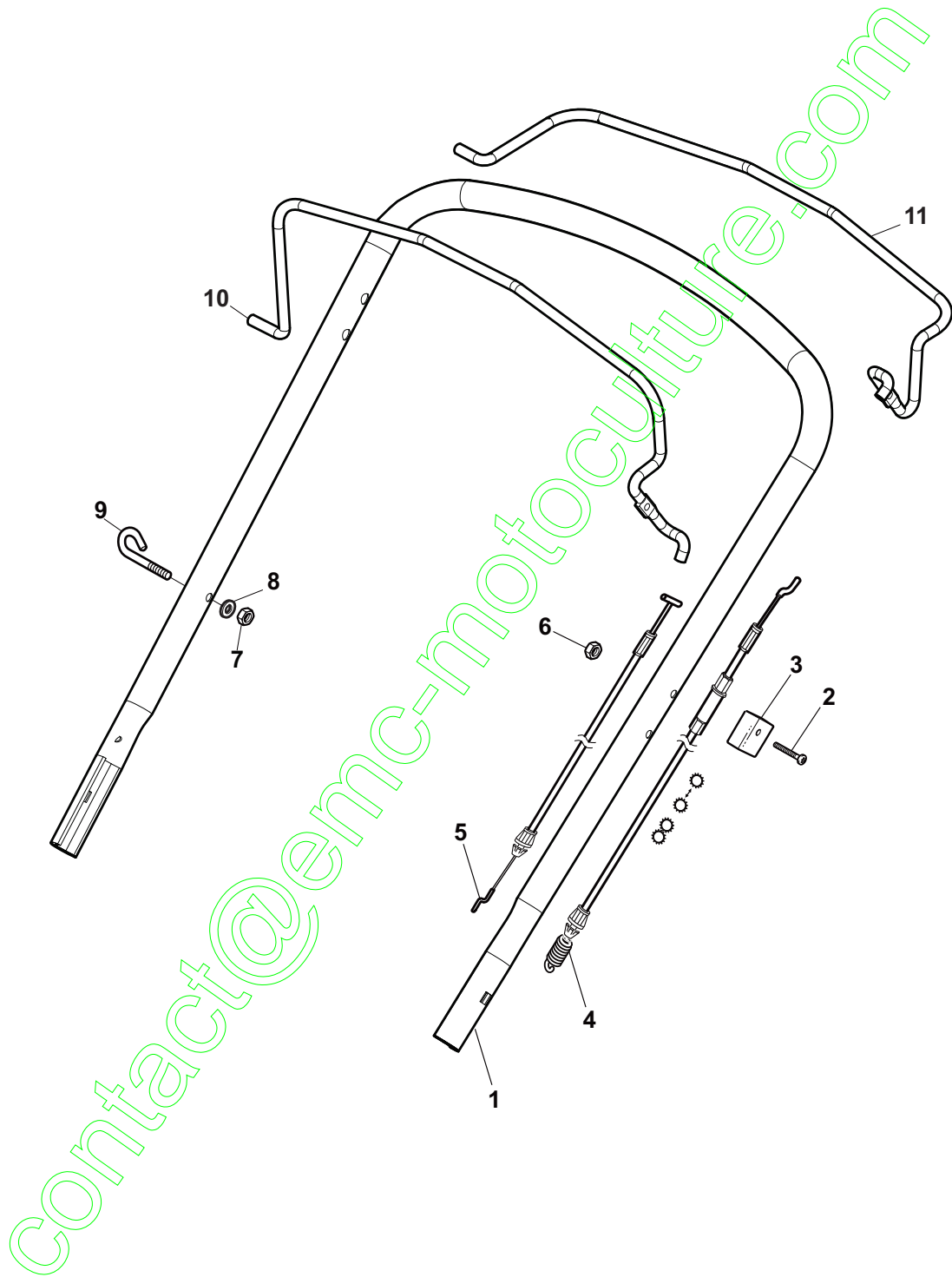


POS	PART. NO	Q.ty	DESCRIPTION	DESCRIZIONE	DESCRIPTION	BESCHREIBUNG	REMARKS
1	381006739/1	1	Handle, Upper Part	Manico, Parte Sup	Mancheron, Partie Superieure	Holm, Oberteil	
1	381006745/1	1	Handle, Upper Part with sponge handgrip	Manico, Parte Sup. con impugantura in spugna	Mancheron, Partie Superieure avec éponge poignée	Holm, Oberteil Handgriff Schwamm	
2	122430313/0	1	Guide Spring	Molla Guida	Ressort De Guide	Feder Führer	
3	112521330/0	1	Washer	Rosetta	Rondelle	Scheibe	
4	112154510/0	1	Nut	Dado	Ecrou	Mutter	
5	118390020/0	1	Fairlead	Fermacavo	Fixation Cable	Kabelbefestigung	
6	181003363/1	1	Lever, Engine Brake Black	Leva Freno Motore Nero	Levier Frein Moteur Noir	Hebel, Motorbremse Schwarz	Black
6	381003365/0	1	Lever, Engine Brake Yellow	Leva Freno Motore, Giallo	Levier Frein Moteur Jaune	Hebel, Motorbremse, Gelb	Yellow
6	381003376/0	1	Lever, Engine Brake Red	Leva Freno Motore, Rosso	Levier Frein Moteur Rouge	Hebel, Motorbremse, Rot	Red
7	181030054/0	1	Cable, Thread Engine Brake	Cavo Freno Motore	Cable Frein Moteur	Kabel, Motorbremse	
7	181030087/0	1	Cable, Thread Engine Brake	Cavo Freno Motore	Cable Frein Moteur	Kabel, Motorbremse	GGP-B&S
7	181030088/0	1	Cable, Thread Engine Brake	Cavo Freno Motore	Cable Frein Moteur	Kabel, Motorbremse	Honda
8	112727788/0	1	Screw	Vite	Vis	Schraube	
9	112154510/0	1	Nut	Dado	Ecrou	Mutter	
10	181003364/0	1	Lever, Driving Black	Leva Trazione Nero	Levier Traction Noir	Hebel, Antrieb Schwarz	Black
10	381003366/0	1	Lever, Driving Yellow	Leva Trazione Giallo	Levier Traction Jaune	Hebel, Antrieb Gelb	Yellow
10	381003377/0	1	Lever, Driving Red	Leva Trazione Rosso	Levier Traction Rouge	Hebel, Antrieb Rot	Red
11	381030051/0	1	Cable, Rear Drive	Cavo Comando Trazione	Cable, Comm. Traction	Kabel, Antrieb	
12	322551640/0	1	Plate	Piastrina	Plaquette	Plättchen	



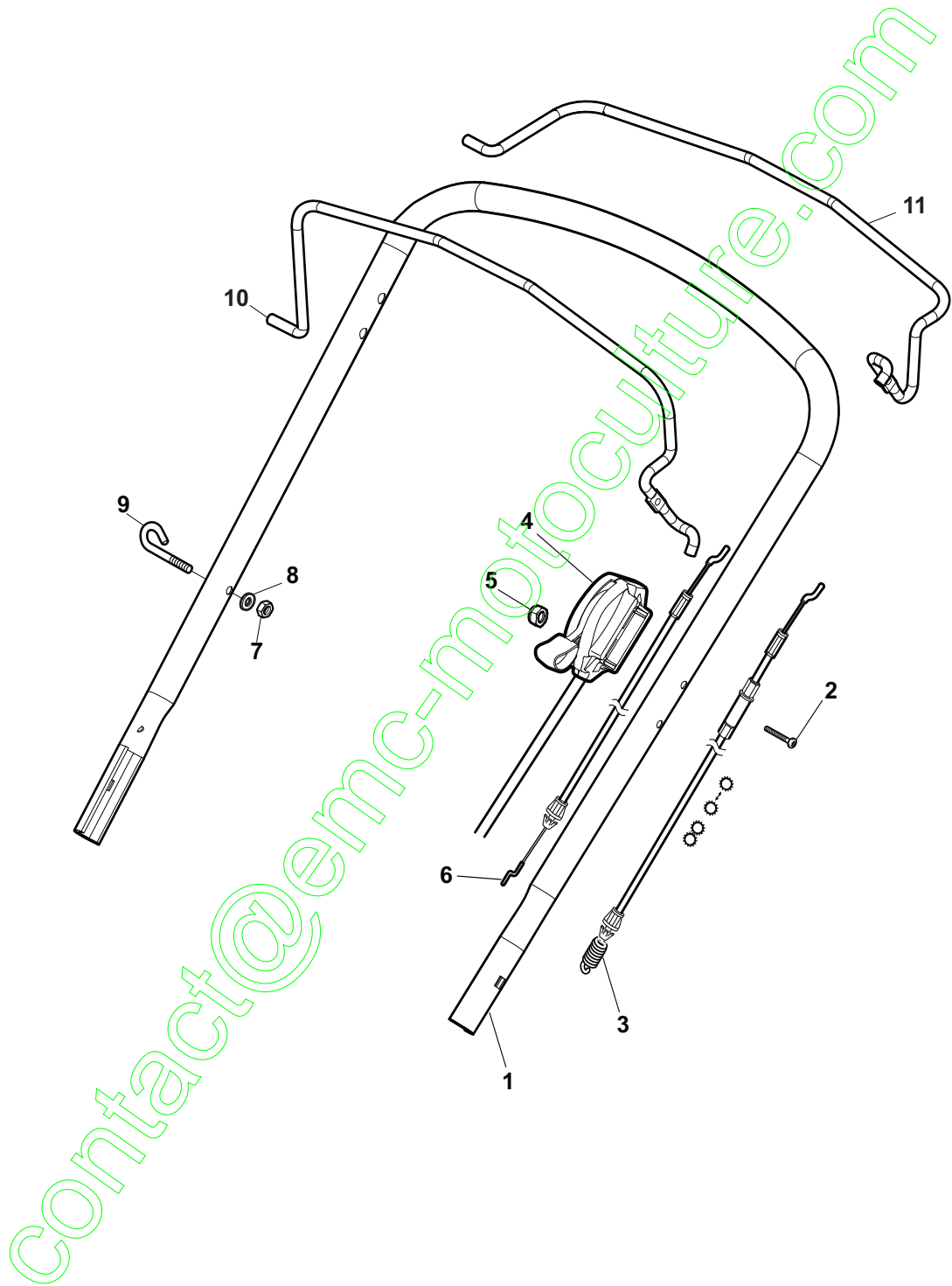
POS	PART. NO	Q.ty	DESCRIPTION	DESCRIZIONE	DESCRIPTION	BESCHREIBUNG	REMARKS
1	322120190/0	1	Dash Board Red	Cruscotto Rosso	Console Rouge	Konsole Rote	Red
1	322120192/0	1	Dash Board Yellow	Cruscotto Giallo	Console Jaune	Konsole Gelbe	Yellow
2	322546055/0	1	Plate	Piastrina	Plaque	Plättchen	Red
2	322546057/0	1	Plate	Piastrina	Plaque	Plättchen	Yellow
3	322546054/0	1	Plate	Piastrina	Plaque	Plättchen	Red
3	322546056/0	1	Plate	Piastrina	Plaque	Plättchen	Yellow
4	322120191/0	1	Dash Board Cover	Copertura Cruscotto	Console Couverture	Konsole Haube	

contact@enc-motoculture.com



POS	PART. NO	Q.ty	DESCRIPTION	DESCRIZIONE	DESCRIPTION	BESCHREIBUNG	REMARKS
1	381006740/0	1	Handle, Upper Part	Manico, Parte Sup	Mancheron, Partie Superieure	Holm, Oberteil	
2	112727783/0	1	Screw	Vite	Vis	Schraube	
3	322551640/0	1	Plate	Piastrina	Plaquette	Plättchen	
4	381030085/0	1	Cable, Rear Drive	Cavo Comando Trazione	Câble, Comm. Traction	Kabel, Antrieb	
5	181030089/0	1	Cable, Thread Engine Brake	Cavo Freno Motore	Cable Frein Moteur	Kabel, Motorbremse	
6	112154510/0	1	Nut	Dado	Ecrou	Mutter	
7	112154510/0	1	Nut	Dado	Ecrou	Mutter	
8	112521330/0	1	Washer	Rosetta	Rondelle	Scheibe	
9	122430313/0	1	Guide Spring	Molla Guida	Ressort De Guide	Feder Führer	
10	181003369/0	1	Lever, Engine Brake	Leva Freno Motore	Levier Frein Moteur	Hebel, Motorbremse	
11	181003371/0	1	Driving Lever	Leva Trazione	Levier Traction	Antriebshebel	

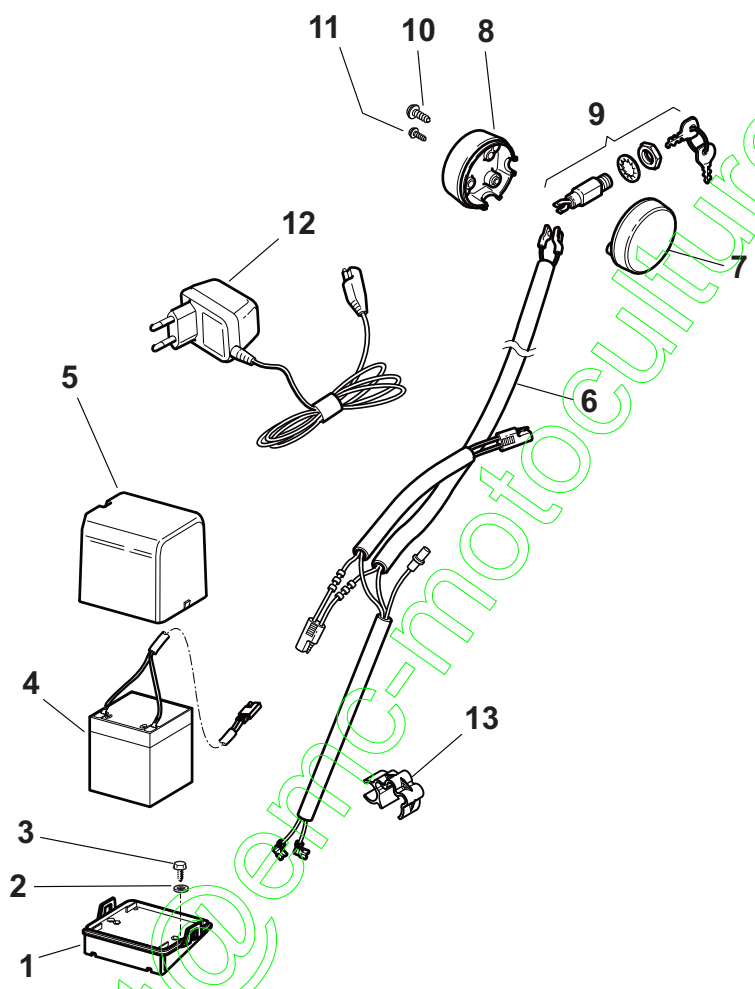
contact@emc-motoculture.com



POS	PART. NO	Q.ty	DESCRIPTION	DESCRIZIONE	DESCRIPTION	BESCHREIBUNG	REMARKS
1	381006740/0	1	Handle, Upper Part	Manico, Parte Sup	Mancheron, Partie Superieure	Holm, Oberteil	
2	112727788/0	1	Screw	Vite	Vis	Schraube	
3	381030085/0	1	Cable, Rear Drive	Cavo Comando Trazione	Câble, Comm. Traction	Kabel, Antrieb	
4	181005524/0	1	Throttle Cable	Cavo Acceleratore	Cable, Accelérateur	Gashebel Kabel	GCV 135
4	181005527/0	1	Throttle Cable	Cavo Acceleratore	Cable, Accelérateur	Gashebel Kabel	GCV 160-GGP
4	181005528/0	1	Throttle Cable	Cavo Acceleratore	Cable, Accelérateur	Gashebel Kabel	B&S
4	181005529/0	1	Throttle Cable	Cavo Acceleratore	Cable, Accelérateur	Gashebel Kabel	B&S 850
4	181005530/0	1	Throttle Cable	Cavo Acceleratore	Cable, Accelérateur	Gashebel Kabel	B&S 575
4	181005531/0	1	Throttle Cable	Cavo Acceleratore	Cable, Accelérateur	Gashebel Kabel	GCV 190
4	181005534/0	1	Throttle Cable	Cavo Acceleratore	Cable, Accelérateur	Gashebel Kabel	GGP100
5	112154510/0	1	Nut	Dado	Ecrou	Mutter	
6	181030089/0	1	Cable, Thread Engine Brake	Cavo Freno Motore	Cable Frein Moteur	Kabel, Motorbremse	
7	112154510/0	1	Nut	Dado	Ecrou	Mutter	
8	112521330/0	1	Washer	Rosetta	Rondelle	Scheibe	
9	122430313/0	1	Guide Spring	Molla Guida	Ressort De Guide	Feder Führer	
10	181003369/0	1	Lever, Engine Brake	Leva Freno Motore	Levier Frein Moteur	Hebel, Motorbremse	
11	181003371/0	1	Driving Lever	Leva Trazione	Levier Traction	Antriebhebel	

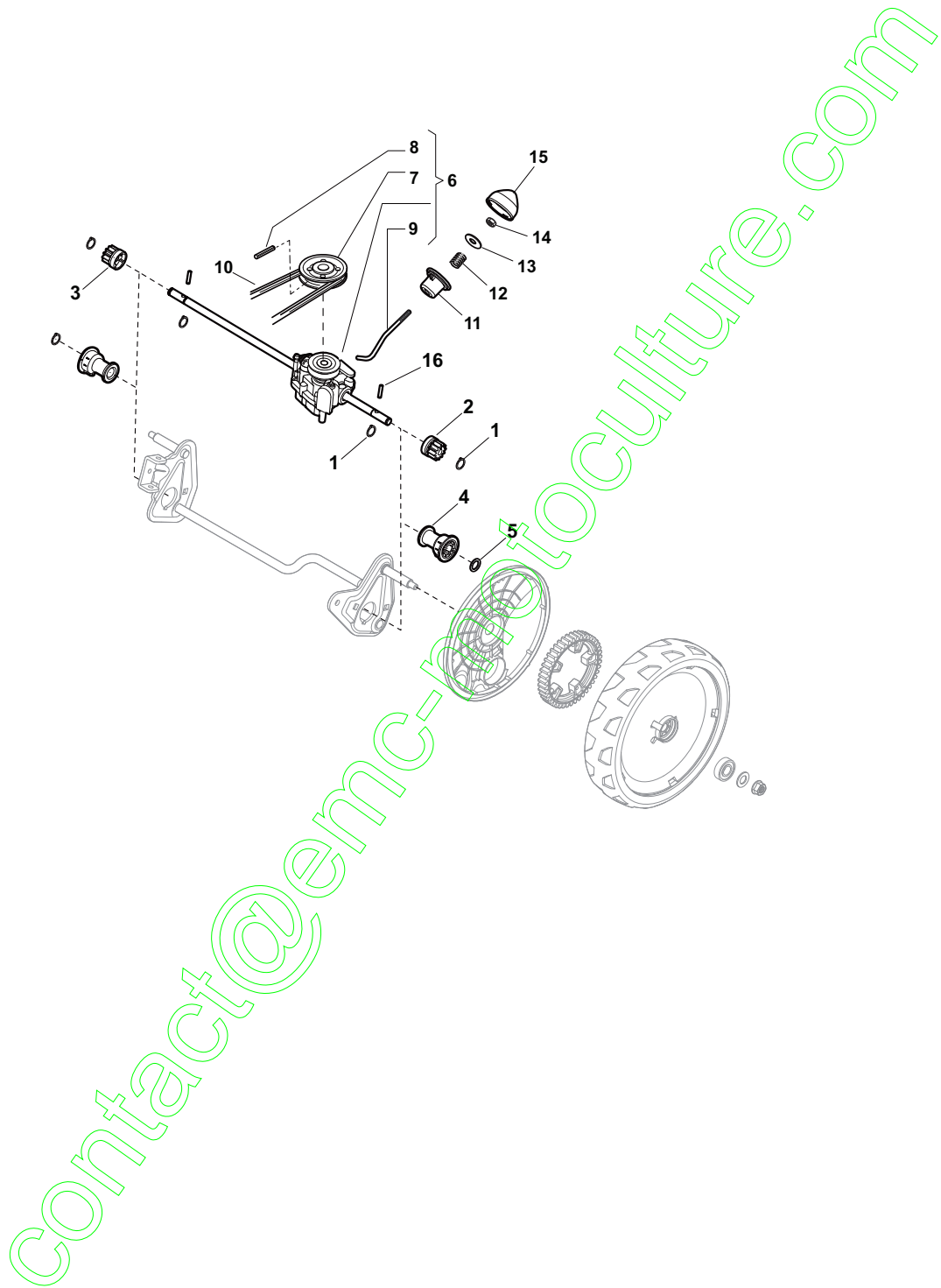
contact@emc-motoculture.com

contact@eng-motoculture.com



POS	PART. NO	Q.ty	DESCRIPTION	DESCRIZIONE	DESCRIPTION	BESCHREIBUNG	REMARKS
1	322785123/0	1	Support, Battery	Supporto Batteria	Support Batterie	Halter, Batterie	
2	112521310/0	2	Washer	Rosetta	Rondelle	Scheibe	
3	112731590/0	2	Screw	Vite	Vis	Schraube	
4	118120052/0	1	Battery	Batteria	Batterie	Batterie	
5	322109530/0	1	Cover	Capottina	Capot	Haube	
6	118204192/3	1	Cable, Start	Cavo Avviamento	Cable Démarrage	Kabel, Start	
7	322722800/0	1	R Protection	Protezione Dx	Protection D	Rechte Schutz	
8	322722801/0	1	L Protection	Protezione Sx	Protection G	Linke Schutz	
9	118450050/0	1	Switch	Interruttore	Interrupteur	Schalter	
10	112728691/0	1	Screw	Vite	Vis	Schraube	
11	112728702/0	2	Screw	Vite	Vis	Schraube	
12	118204120/0	1	Battery Charger	Carica Batteria	Chargeur De Batterie	Ladgerät	CE
12	118204121/0	1	Battery Charger	Carica Batteria	Chargeur De Batterie	Ladgerät	UK
13	118390021/0	1	Fairlead	Fermacavo	Fixation Cable	Kabelbefestigung	

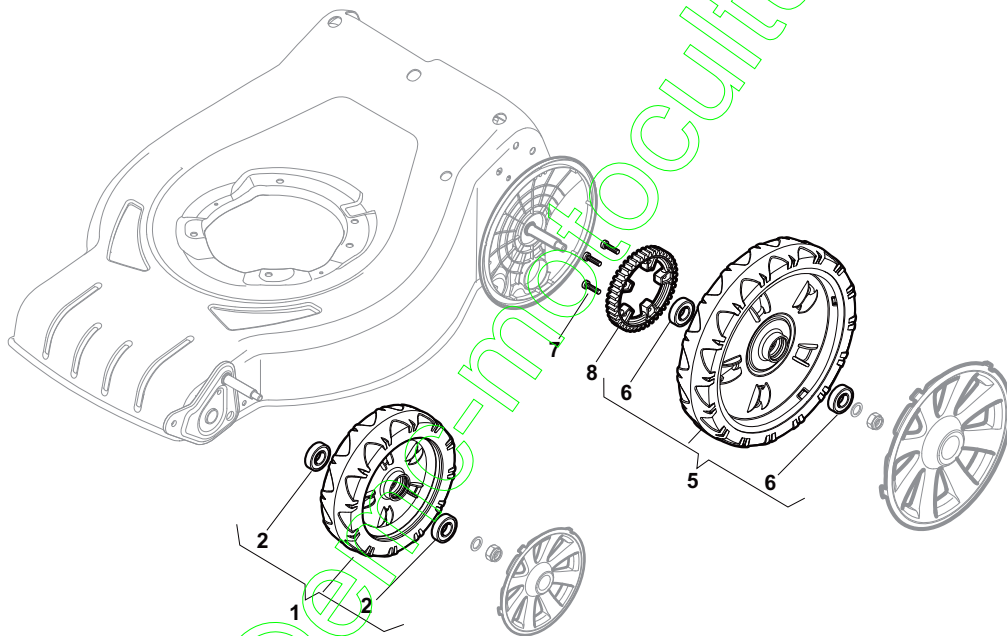
contact@emc-motoculture.com



POS	PART. NO	Q.ty	DESCRIPTION	DESCRIZIONE	DESCRIPTION	BESCHREIBUNG	REMARKS
1	112608600/0	4	Seeger	Seeger	Seeger	Seeger	
2	122570134/0	1	Pinion L	Pignone Sx	Pignon G	Ritzel Linkes	
3	122570133/0	1	Pinion R	Pignone Dx	Pignon D	Ritzel Rechtes	
4	322042067/0	2	Bush	Bussola	Douille	Büchse	
5	112521371/0	2	Washer	Rosetta	Rondelle	Scheibe	
6	181003092/0	1	Gear Box	Gruppo Trazione	Groupe Traction	Antrieb	
7	122601904/0	1	Pulley	Puleggia	Poulie	Riemenscheibe	
8	112645700/0	1	Pin	Perno	Pivot	Bolzen	
9	122033283/0	1	Adjustment Rod	Asta Regolazione	Tige Reglage	Verstellungstange	
10	135064196/0	1	Belt	Cinghia	Courroire	Riemen	
11	122041957/1	1	Bush	Bussola	Douille	Büchse	
12	122450063/0	1	Spring	Molla	Ressort	Feder	
13	322680009/0	1	Washer	Rosetta	Rondelle	Scheibe	
14	112154510/0	1	Nut	Dado	Ecrou	Mutter	
15	122110230/0	1	Cap	Puntale	Bouchon	Gummistopfen	
16	122753000/0	2	Pin	Perno	Pivot	Bolzen	

contact@emc-motocultur.com

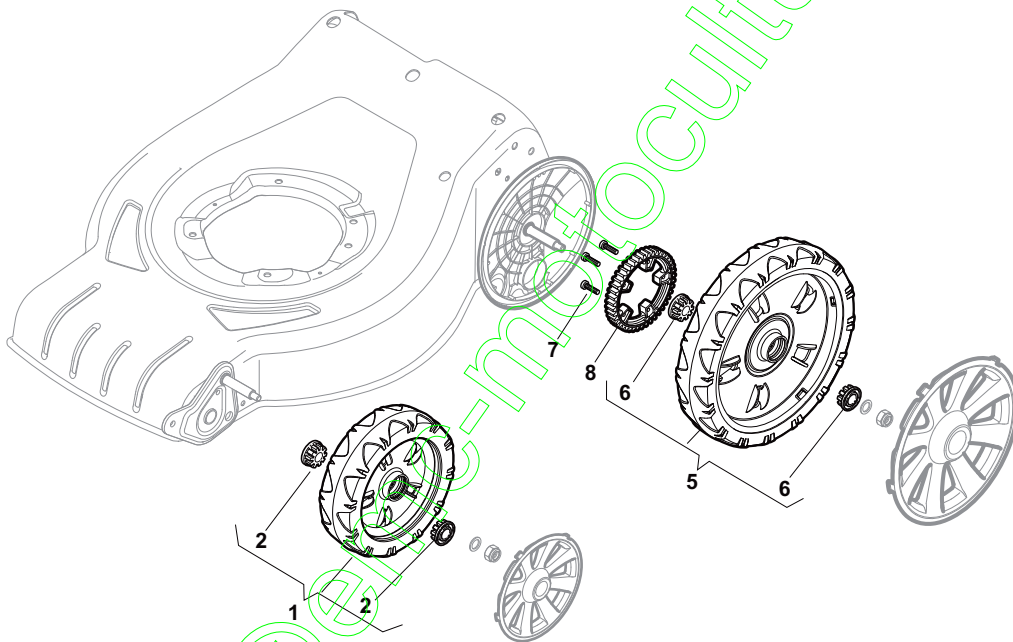
contact@green-microculture.com



POS	PART. NO	Q.ty	DESCRIPTION	DESCRIZIONE	DESCRIPTION	BESCHREIBUNG	REMARKS
1	381007416/1	2	Wheel Ø 200	Ruota Ø 200	Roue Ø 200	Rad Ø 200	
2	119216035/0	4	Bearing	Cuscinetto	Coussinet	Lager	
4	381007417/1	2	Wheel Ø 280	Ruota Ø 280	Roue Ø 280	Rad Ø 280	
6	119216035/0	4	Bearing	Cuscinetto	Coussinet	Lager	
7	112728706/0	6	Screw	Vite	Vis	Schraube	
9	322120115/0	2	Ring Gear	Corona	Couronne	Kranz	

contact@emc-motoculture.com

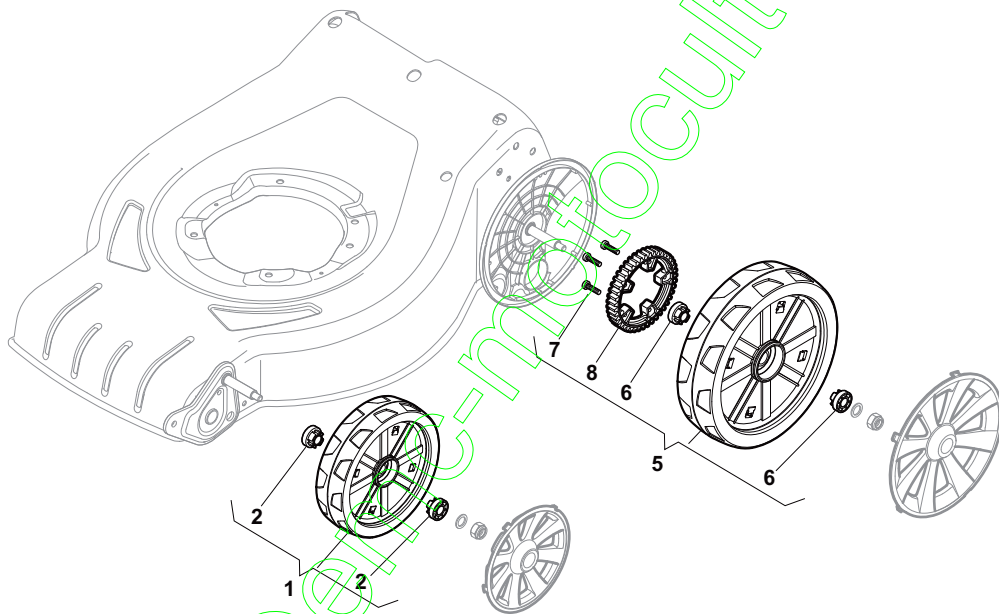
contact@ag-microculture.com



POS	PART. NO	Q.ty	DESCRIPTION	DESCRIZIONE	DESCRIPTION	BESCHREIBUNG	REMARKS
1	381007435/0	2	Wheel Ø 200	Ruota Ø 200	Roue Ø 200	Rad Ø 200	
2	322042064/0	4	Bush	Bussola	Douille	Büchse	
4	381007436/0	2	Wheel Ø 280	Ruota Ø 280	Roue Ø 280	Rad Ø 280	
6	322042064/0	4	Bush	Bussola	Douille	Büchse	
7	112728706/0	6	Screw	Vite	Vis	Schraube	
9	322120115/0	2	Ring Gear	Corona	Couronne	Kranz	

contact@emc-motoculture.com

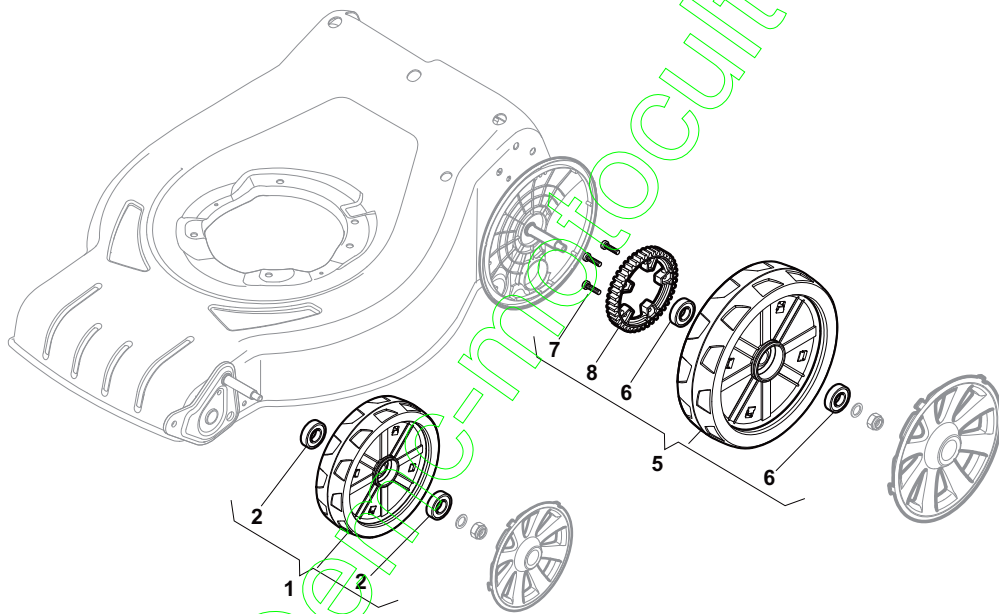
contact@euro-microculture.com



POS	PART. NO	Q.ty	DESCRIPTION	DESCRIZIONE	DESCRIPTION	BESCHREIBUNG	REMARKS
1	381007481/0	2	Wheel Ø 200	Ruota Ø 200	Roue Ø 200	Rad Ø 200	
2	322042064/0	4	Bush	Bussola	Douille	Büchse	
4	381007486/0	2	Wheel Ø 280	Ruota Ø 280	Roue Ø 280	Rad Ø 280	
6	322042064/0	4	Bush	Bussola	Douille	Büchse	
7	112728706/0	6	Screw	Vite	Vis	Schraube	
9	322120115/0	2	Ring Gear	Corona	Couronne	Kranz	

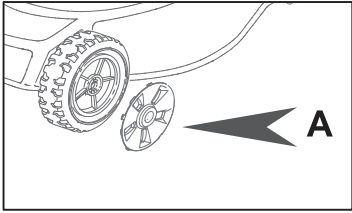
contact@emc-motoculture.com

contact@ezy-microculture.com

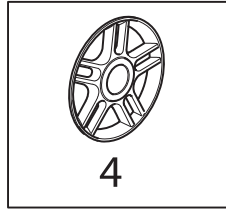


POS	PART. NO	Q.ty	DESCRIPTION	DESCRIZIONE	DESCRIPTION	BESCHREIBUNG	REMARKS
1	381007484/0	2	Wheel Ø 200	Ruota Ø 200	Roue Ø 200	Rad Ø 200	
2	119216035/0	4	Bearing	Cuscinetto	Coussinet	Lager	
4	381007479/0	2	Wheel Ø 280	Ruota Ø 280	Roue Ø 280	Rad Ø 280	
6	119216035/0	4	Bearing	Cuscinetto	Coussinet	Lager	
7	112728706/0	6	Screw	Vite	Vis	Schraube	
9	322120115/0	2	Ring Gear	Corona	Couronne	Kranz	

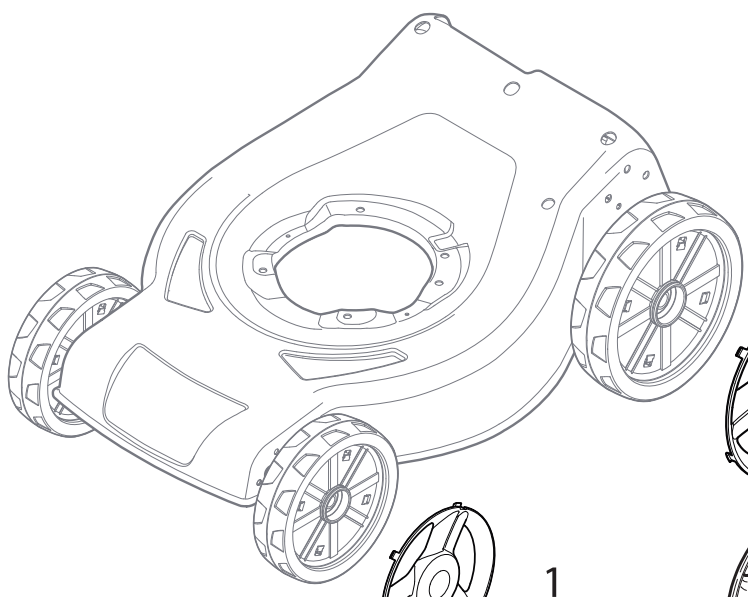
contact@emc-motoculture.com



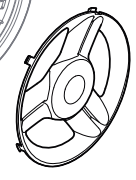
+



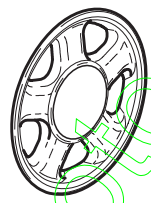
= A4



A



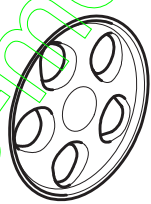
1



2



2



3



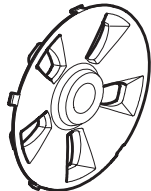
3



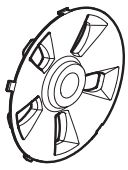
4



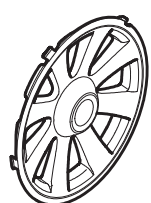
4



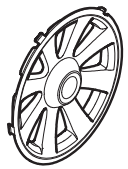
5



5



6



6

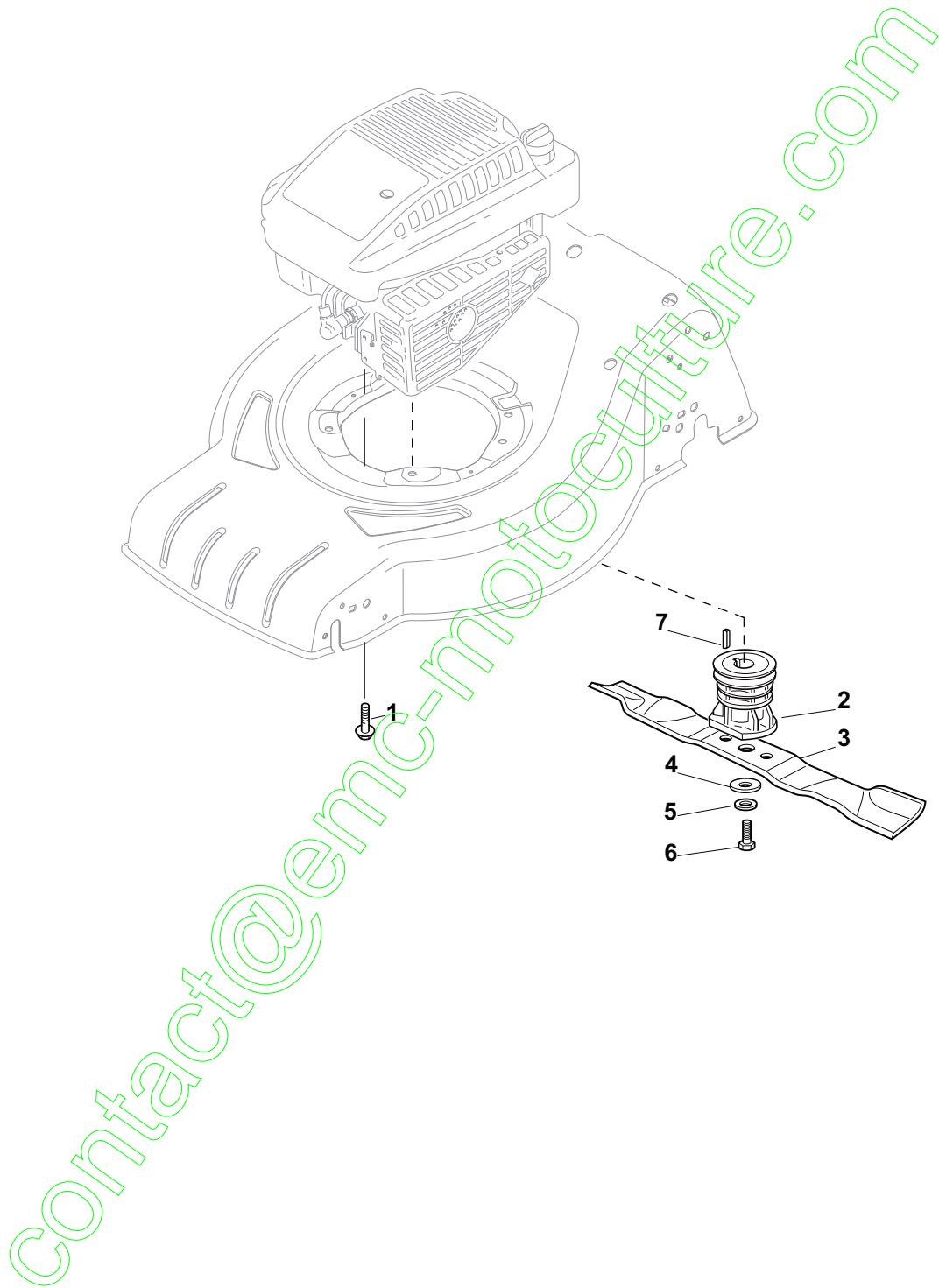
1

B

cont@emc-proculture.com

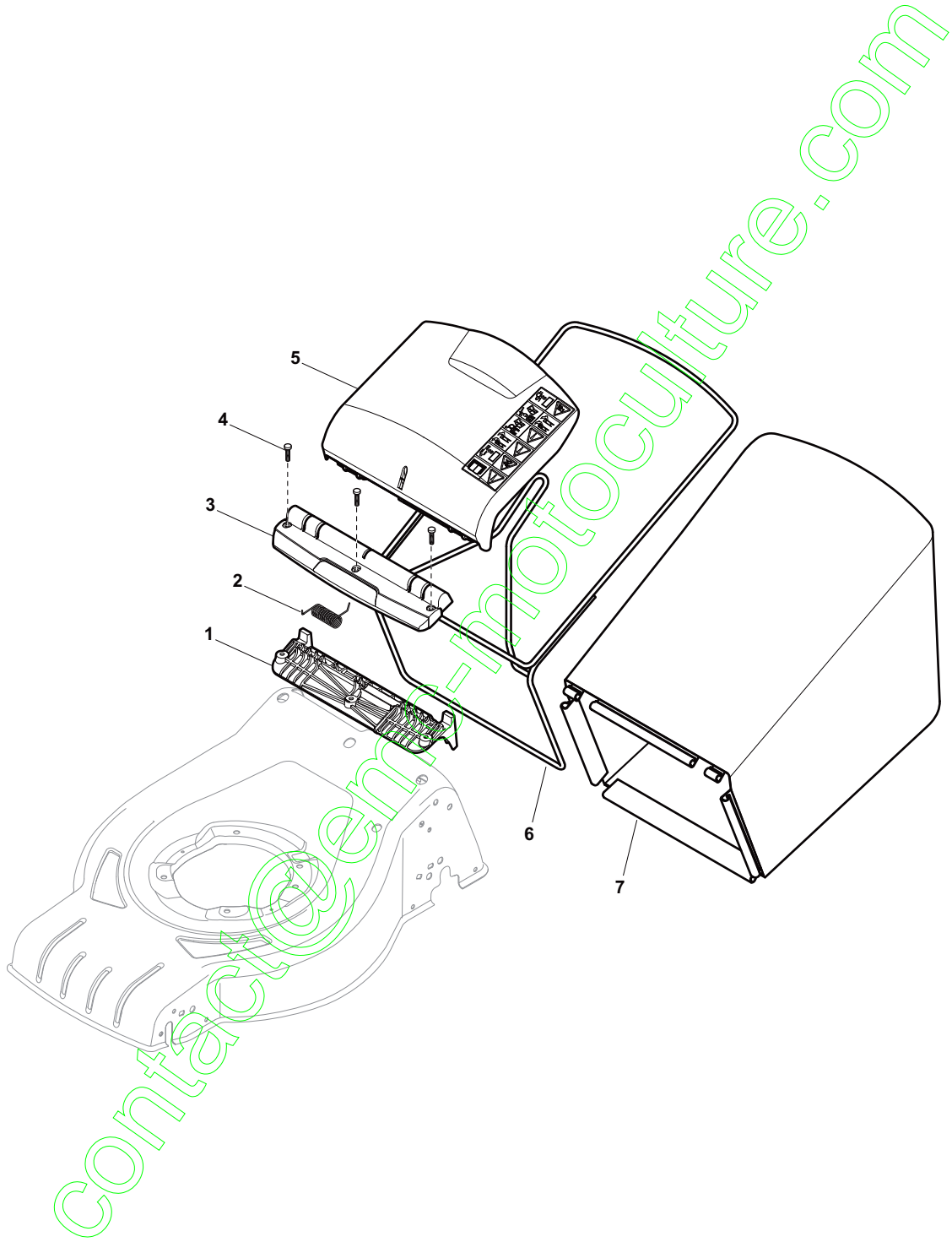
POS	PART. NO	Q.ty	DESCRIPTION	DESCRIZIONE	DESCRIPTION	BESCHREIBUNG	REMARKS
A1	322110687/0	2	Hub Cap Grey	Coprимozzo Grigio	Couvre-Moyeu Gris	Radkappe Grau	
A2	22110382/0	2	Hub Cap Grey	Coprимozzo Grigio	Couvre-Moyeu Gris	Radkappe Grau	
A3	22110416/0	2	Hub Cap Grey	Coprимozzo Grigio	Couvre-Moyeu Gris	Radkappe Grau	
A4	22110492/0	2	Hub Cap Grey	Coprимozzo Grigio	Couvre-Moyeu Gris	Radkappe Grau	
A5	322110643/0	2	Hub Cap Grey	Coprимozzo Grigio	Couvre-Moyeu Gris	Radkappe Grau	
A6	322110645/0	2	Hub Cap Grey	Coprимozzo Grigio	Couvre-Moyeu Gris	Radkappe Grau	
B1	322110641/0	2	Hub Cap Grey	Coprимozzo Grigio	Couvre-Moyeu Gris	Radkappe Grau	
B2	322110511/0	2	Hub Cap Grey	Coprимozzo Grigio	Couvre-Moyeu Gris	Radkappe Grau	
B3	322110560/0	2	Hub Cap Grey	Coprимozzo Grigio	Couvre-Moyeu Gris	Radkappe Grau	
B4	322110417/0	2	Hub Cap Grey	Coprимozzo Grigio	Couvre-Moyeu Gris	Radkappe Grau	
B5	322110644/0	2	Hub Cap Grey	Coprимozzo Grigio	Couvre-Moyeu Gris	Radkappe Grau	
B6	322110646/0	2	Hub Cap Grey	Coprимozzo Grigio	Couvre-Moyeu Gris	Radkappe Grau	

contact@emc-motoculture.com



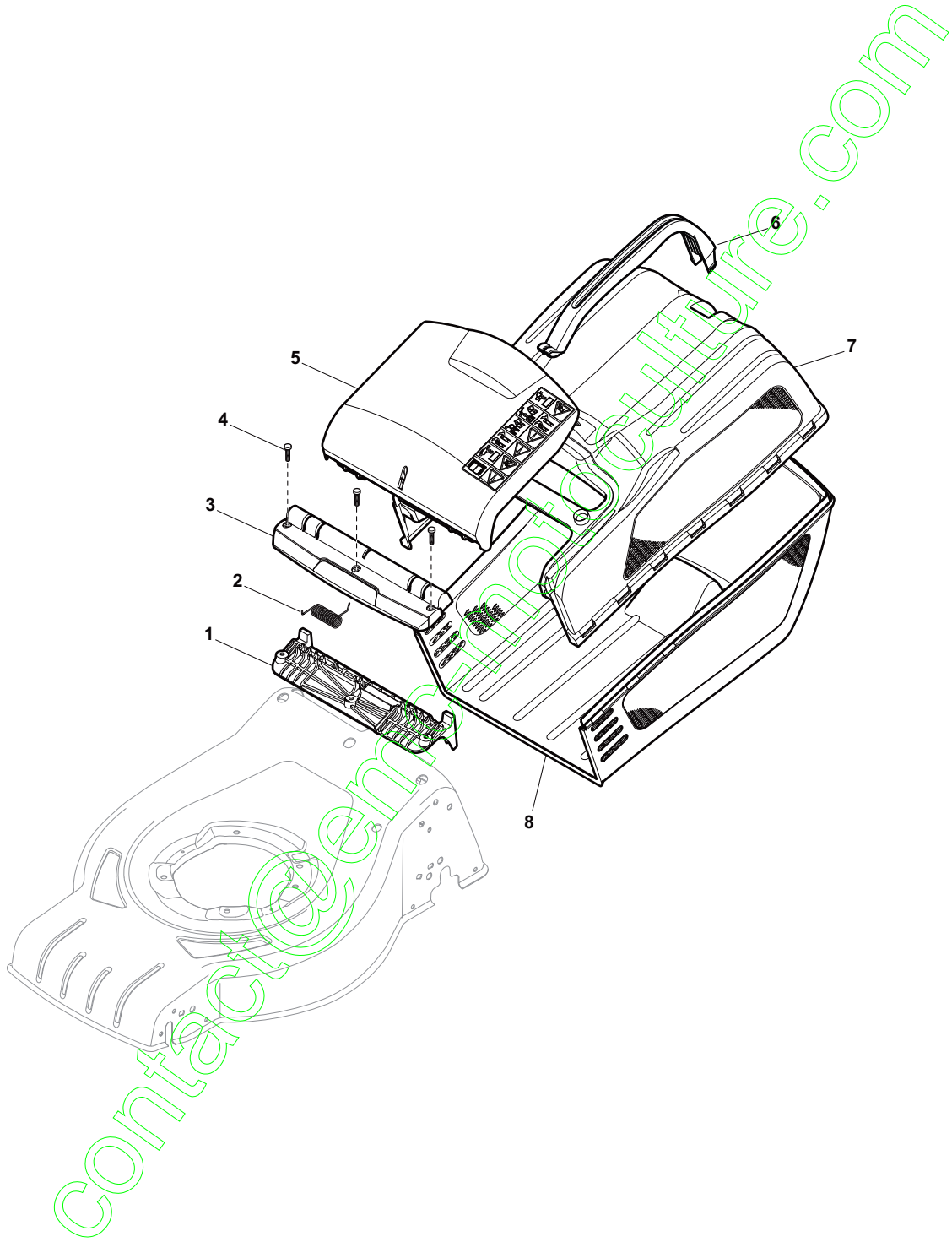
POS	PART. NO	Q.ty	DESCRIPTION	DESCRIZIONE	DESCRIPTION	BESCHREIBUNG	REMARKS
1	112691100/0	3	Screw	Vite	Vis	Schraube	B&S E Series
1	112691115/0	3	Screw	Vite	Vis	Schraube	GGP-Honda
1	112691100/0	2	Screw	Vite	Vis	Schraube	B&S
1	112691800/0	1	Screw	Vite	Vis	Schraube	B&S
2	122465607/3	1	Hub With Pulley, Crankshaft Ø 22.2	Mozzo Con Puleggia, Albero Motore Ø 22.2	Moyeu Avec Poulie, Arbre Moteur Ø 22.2	Nabe Mit Scheibe, Motorwelle Ø 22.2	B&S-GGP
2	122465608/2	1	Hub With Pulley, Crankshaft Ø 25	Mozzo Con Puleggia, Albero Motore Ø 25	Moyeu Avec Poulie, Arbre Moteur Ø 25	Nabe Mit Scheibe, Motorwelle Ø 25	Honda
3	181004341/3	1	Blade Standard	Coltello Standard	Lame Standard	Messer Standard	
3	181004346/3	1	Blade Standard	Coltello Standard	Lame Standard	Messer Standard	
3	181004459/0	1	Blade	Coltello	Lame	Messer	
4	122160400/0	1	Elastic Washer	Disco Elastico	Disque Elastique	Federscheibe	
5	112523080/0	1	Washer	Rosetta	Rondelle	Scheibe	
6	112735698/0	1	Screw	Vite	Vis	Schraube	
7	112139100/0	1	Feather, Crankshaft Ø 22.2	Linguetta, Albero Motore Ø 22.2	Clavette, Arbre Moteur Ø 22.2	Keil, Motorwelle Ø 22.2	B&S-GGP
7	112139150/0	1	Feather, Crankshaft Ø 25	Linguetta, Albero Motore Ø 25	Clavette, Arbre Moteur Ø 25	Keil, Motorwelle Ø 25	Honda
8	112154210/0	3	Screw	Vite	Vis	Schraube	

contact@emc-motocultivar.com



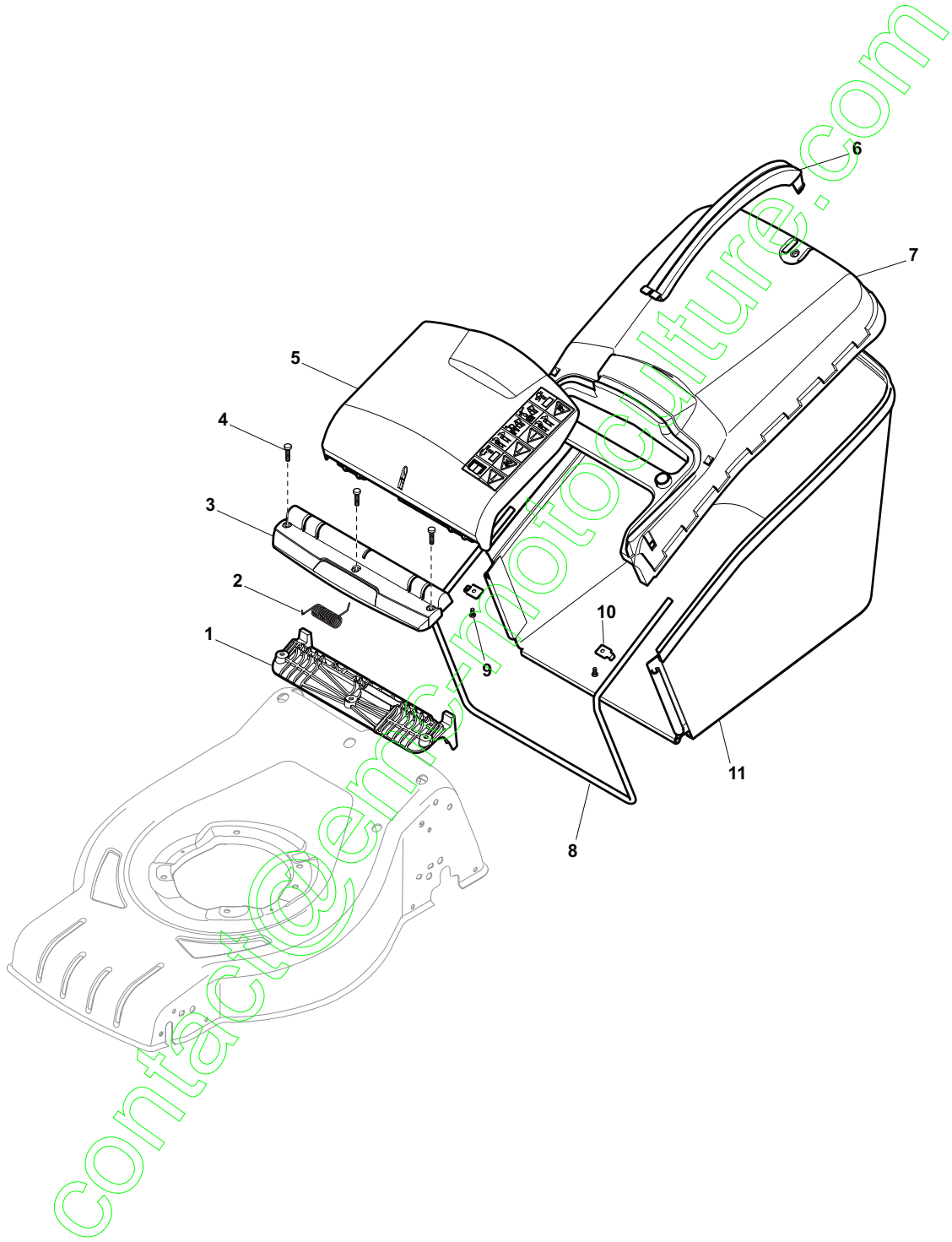
POS	PART. NO	Q.ty	DESCRIPTION	DESCRIZIONE	DESCRIPTION	BESCHREIBUNG	REMARKS
1	322785331/0	1	Support	Supporto	Support	Halter	
2	122450464/0	1	Spring	Molla	Ressort	Feder	
3	322109556/0	1	Cover, Yellow	Capottina Gialla	Capot Jaune	Haube Gelb	
3	322109557/0	1	Cover, Grey	Capottina Grigio	Capot Jaune	Haube Gelb	
4	112728699/0	3	Screw	Vite	Vis	Schraube	
5	322600214/1	1	Stone-Guard Yellow	Parasassi Giallo	Pare-Pierres, Jaune	Prallblech, Gelb	
5	322600216/1	1	Stone-Guard Grey	Parasassi Grigio	Pare-Pierres, Gris	Prallblech, Grau	
6	181006409/0	1	Chassis Box	Telaio Sacco	Châssis Bac	Rahmen Sack	
7	181002319/0	1	Box, Fabric	Sacco, Tela	Sac, Toile	Sack, Tuck	

contact@enc-motoculture.com



POS	PART. NO	Q.ty	DESCRIPTION	DESCRIZIONE	DESCRIPTION	BESCHREIBUNG	REMARKS
1	322785331/0	1	Support	Supporto	Support	Halter	
2	122450464/0	1	Spring	Molla	Ressort	Feder	
3	322109556/0	1	Cover, Yellow	Capottina Gialla	Capot Jaune	Haube Gelb	
3	322109557/0	1	Cover, Grey	Capottina Grigio	Capot Jaune	Haube Gelb	
4	112728699/0	3	Screw	Vite	Vis	Schraube	
5	322600214/1	1	Stone-Guard Yellow	Parasassi Giallo	Pare-Pierres, Jaune	Prallblech, Gelb	
5	322600216/1	1	Stone-Guard Grey	Parasassi Grigio	Pare-Pierres, Gris	Prallblech, Grau	
6	322393645/0	1	Handle	Maniglia	Poignée	Griff	
7	322486263/0	1	Grassbox Upper Part	Parte Sup.Sacco	Sac, Partie Superieure	Korb Oberteil	
8	322486267/0	1	Grassbox Lower Part	Parte Infer. Sacco	Sac, Partie Inferieure	Korb Unterteil	

contact@enc-motoculture.com



POS	PART. NO	Q.ty	DESCRIPTION	DESCRIZIONE	DESCRIPTION	BESCHREIBUNG	REMARKS
1	322785331/0	1	Support	Supporto	Support	Halter	
2	122450464/0	1	Spring	Molla	Ressort	Feder	
3	322109556/0	1	Cover, Yellow	Capottina Gialla	Capot Jaune	Haube Gelb	
3	322109557/0	1	Cover, Grey	Capottina Grigio	Capot Jaune	Haube Gelb	
4	112728699/0	3	Screw	Vite	Vis	Schraube	
5	322600214/1	1	Stone-Guard Yellow	Parasassi Giallo	Pare-Pierres, Jaune	Prallblech, Gelb	
5	322600216/1	1	Stone-Guard Grey	Parasassi Grigio	Pare-Pierres, Gris	Prallblech, Grau	
6	322393646/0	1	Handle, Yellow	Maniglia, Gialla	Poignee, Jaune	Griff, Gelb	
6	322393649/0	1	Handle, Grey	Maniglia, Grey	Poignée, Grey	Griff, Grey	
7	322486264/0	1	Grassbox Upper Part Yellow	Parte Sup.Sacco Giallo	Sac, Partie Superieure Jaune	Korb Oberteil Gelb	
7	322486270/0	1	Grassbox Upper Part, Grey	Parte Sup.Sacco, Grigio	Sac, Partie Superieure, Gris	Korb Oberteil, Grau	
8	122608561/0	1	Stiffening Lower	Rinforzo Inf	Réforcement Inf	Verstärkung Untere	
9	112728692/0	2	Screw	Vite	Vis	Schraube	
10	322545159/0	2	Plate	Piastrina	Plaquette	Plättchen	
11	181002318/0	1	Box, Fabric	Sacco, Tela	Sac, Toile	Sack, Tuck	

contact@emc-motoculture.com