

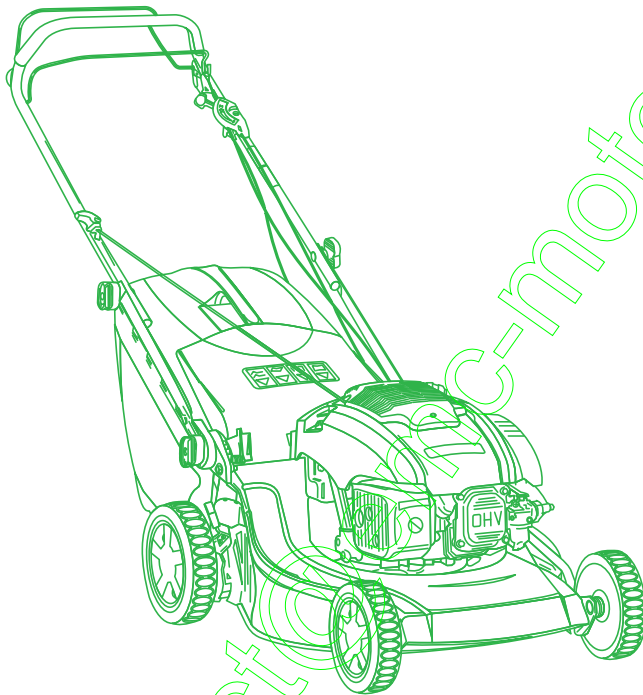
ILLUSTRATED PARTS LIST

CRC 534 WS

CRC 534 WSQ

CSC 534 WS

CSC 534 WSQ



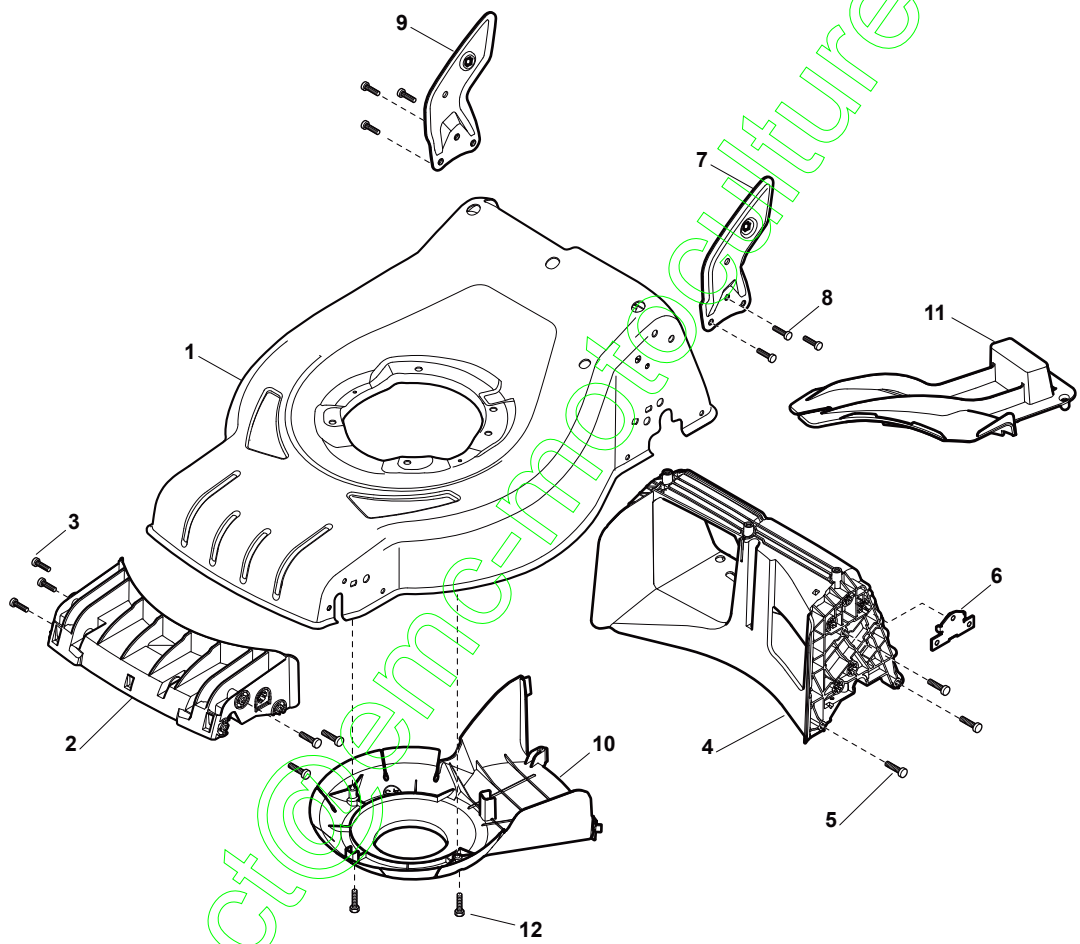
- Use GLOBAL GARDEN PRODUCT Genuine Spare Parts specified in the parts list for repair and/or replacement.
- The contents described in the parts list may change due to improvement.
- The drawings of the spare parts are only indicative and might not represent the part in question exactly.
- The indications "right" - "left" - "front" - "rear" refer to the position of the operator when using the machine.
- When placing orders of parts for repair and/or replacement, make sure that the illustrated parts list is the one applying to the machine's year of manufacture, as shown on the identification plate attached to the machine.

© Copyright 2014 Global Garden Products

All content is subject to copyright by Global Garden Products and may not be reproduced in whole or in part by any means, electronic or otherwise, without prior written approval.

THIS INFORMATION IS NOT INTENDED FOR SALE OR RESALE, AND THIS NOTICE MUST REMAIN ON ALL COPIES.

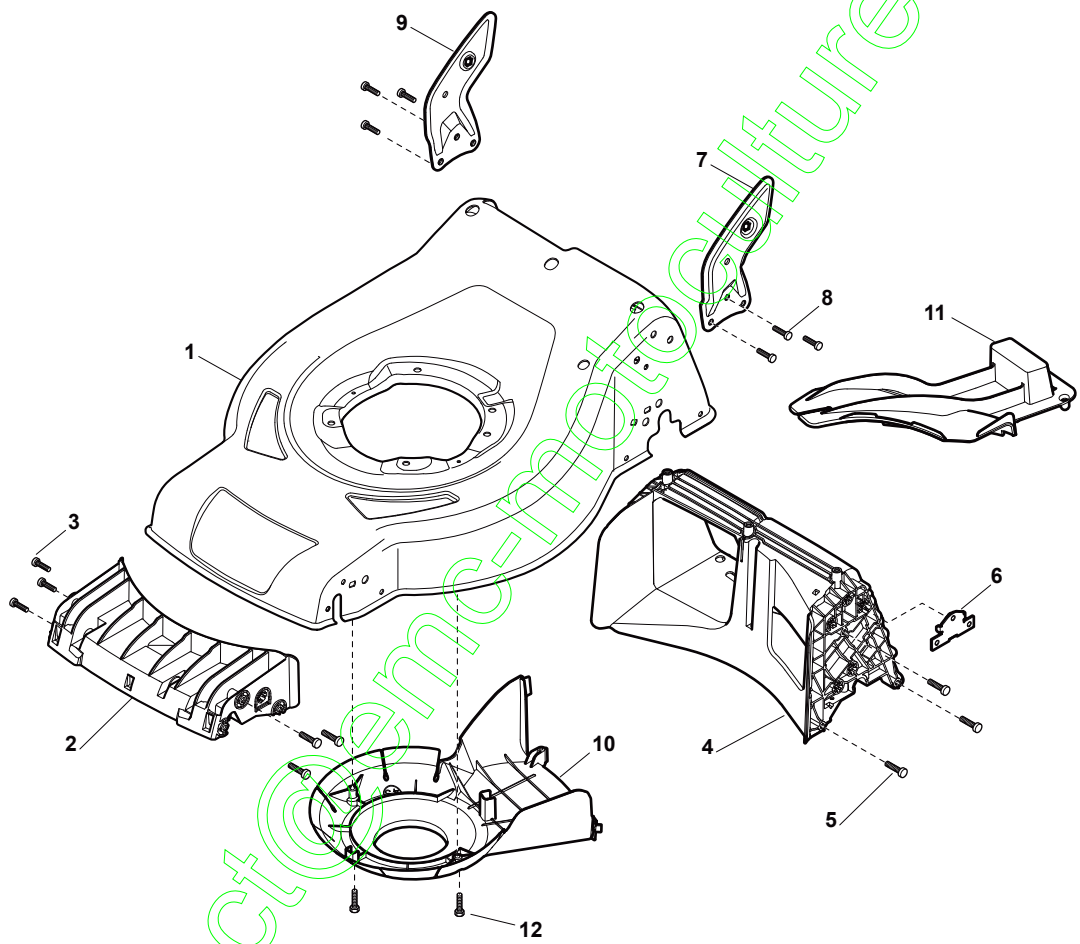

GLOBAL GARDEN PRODUCTS



Deck - CR

| POS | PART. NO | Q.ty | DESCRIPTION | DESCRIZIONE | DESCRIPTION | BESCHREIBUNG | REMARKS |
|-----|-------------|------|---------------------|---------------------|----------------------|-----------------------|----------------|
| 1 | 381004730/0 | 1 | Deck Grey | Chassis Grigio | Châssis Gris | Gehäuse Grau | |
| 1 | 381004617/0 | 1 | Deck Red | Chassis Rosso | Châssis Rouge | Gehäuse Rot | Side Discharge |
| 2 | 322108308/0 | 1 | Front Conveyor Assy | Convogl. Anteriore | Ens. Convoyeur Avant | Hinterleitblechvorder | |
| 3 | 112728699/0 | 6 | Screw | Vite | Vis | Schraube | |
| 4 | 322108302/0 | 1 | Rear Conveyor Assy | Convogl. Posteriore | Ens. Convoyeur Post. | Hinterleitblechsatz | |
| 5 | 112728699/0 | 6 | Screw | Vite | Vis | Schraube | |
| 6 | 322545213/0 | 2 | Plate | Piastrina | Plaquette | Plättchen | |
| 7 | 381005167/0 | 1 | Bracket, L | Staffa Sx | Etrier Gauche | Steigbügel, Linke | |
| 8 | 112727801/0 | 6 | Screw | Vite | Vis | Schraube | |
| 9 | 381005165/0 | 1 | Bracket, R | Staffa Dx | Etrier Droit | Steigbügel, Rechte | |
| 10 | 322060250/0 | 1 | Protection, Belt | Carter Cinghia | Protection Courroie | Schutz, Riemen | |
| 11 | 322140244/0 | 1 | Deflector | Deflettore | Deflecteur | Abweiser | |
| 12 | 112728530/0 | 2 | Screw | Vite | Vis | Schraube | |

contact@emc-motoculture.com



Deck - CS

| POS | PART. NO | Q.ty | DESCRIPTION | DESCRIZIONE | DESCRIPTION | BESCHREIBUNG | REMARKS |
|-----|-------------|------|---------------------|---------------------|----------------------|-----------------------|----------------|
| 1 | 381004546/0 | 1 | Deck Red | Chassis Rosso | Châssis Rouge | Gehäuse Rot | |
| 1 | 381004547/0 | 1 | Deck Red | Chassis Rosso | Châssis Rouge | Gehäuse Rot | Side Discharge |
| 1 | 381004549/0 | 1 | Deck Black | Chassis Nero | Châssis Noir | Gehäuse Schwarz | |
| 2 | 322108308/0 | 1 | Front Conveyor Assy | Convogl. Anteriore | Ens. Convoyeur Avant | Hinterleitblechsatz | |
| 3 | 112728699/0 | 6 | Screw | Vite | Vis | Schraube | |
| 4 | 322108302/0 | 1 | Rear Conveyor Assy | Convogl. Posteriore | Ens. Convoyeur Post. | Hinterleitblechsatz | |
| 5 | 112728699/0 | 6 | Screw | Vite | Vis | Schraube | |
| 6 | 322545213/0 | 2 | Plate | Piastrina | Plaquette | Plättchen | |
| 7 | 381005167/0 | 1 | Bracket, L | Staffa Sx | Etrier Gauche | Steigbügel, Linke | |
| 8 | 112727801/0 | 6 | Screw | Vite | Vis | Schraube | |
| 9 | 381005165/0 | 1 | Bracket, R | Staffa Dx | Etrier Droit | Steigbügel, Rechte | |
| 10 | 322060250/0 | 1 | Protection, Belt | Carter Cinghia | Protection Courroire | Schutz, Riemen | |
| 11 | 322140244/0 | 1 | Mulching Plug | Tappo Mulching | Bouchon Mulching | Gummistopfen-Mulching | |
| 12 | 112728530/0 | 2 | Screw | Vite | Vis | Schraube | |

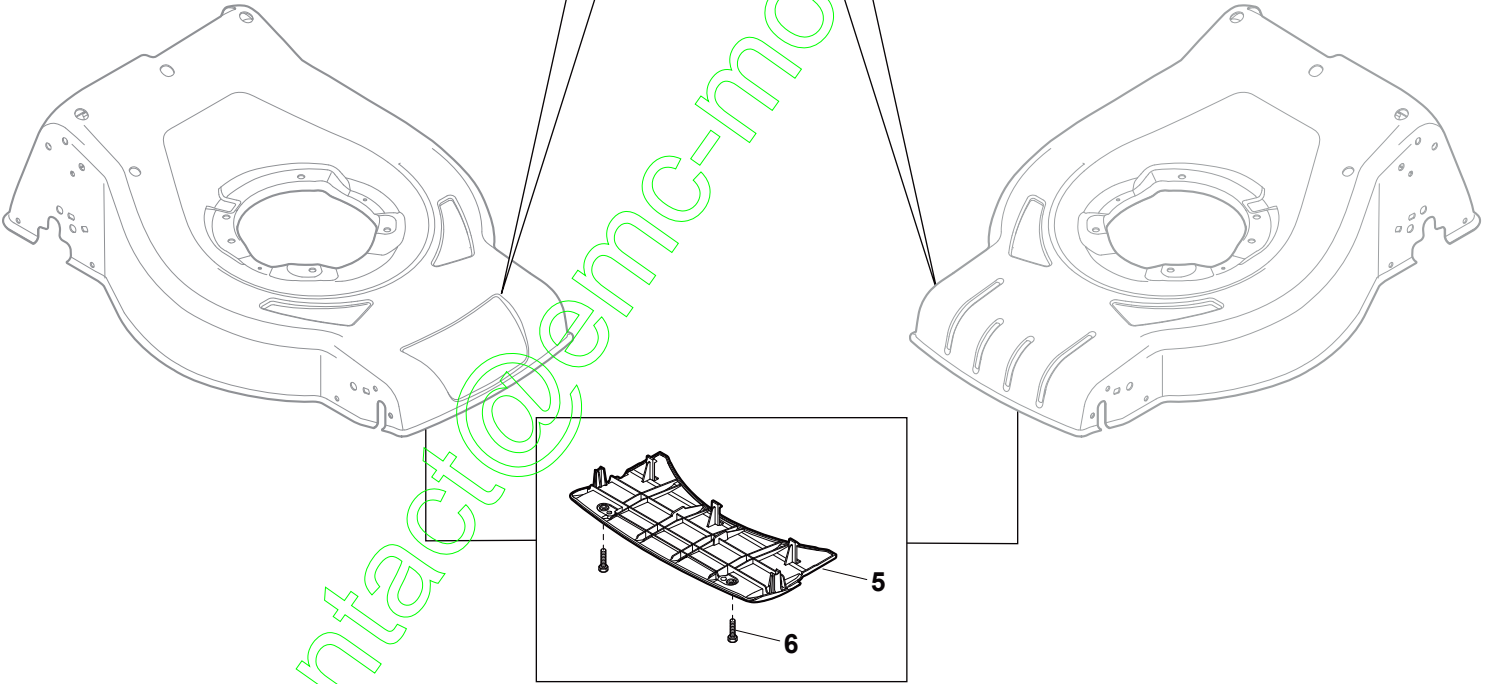
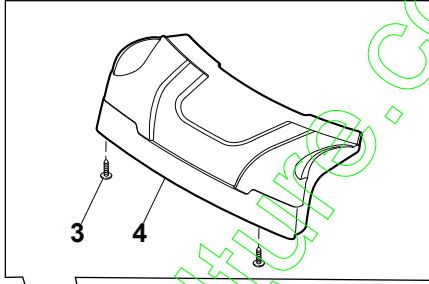
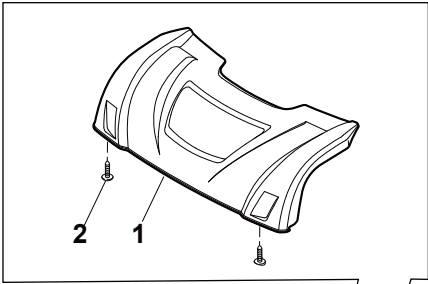
contact@emc-motoculture.com

Deck And Height Adjusting

| POS | PART. NO | Q.ty | DESCRIPTION | DESCRIZIONE | DESCRIPTION | BESCHREIBUNG | REMARKS |
|-----|-------------|------|--------------------------|-----------------------------|-------------------------------|-----------------------|---------|
| 1 | 381302853/0 | 1 | Axle, Front Wheels | Asse Ruote Anteriori | Axe Roues Avant | Achse, Vorderrad | |
| 2 | 322545142/0 | 2 | Plate | Piastrina | Plaquette | Plättchen | |
| 3 | 112728698/0 | 4 | Screw | Vite | Vis | Schraube | |
| 4 | 112521350/0 | 2 | Washer | Rosetta | Rondelle | Scheibe | |
| 5 | 112155000/0 | 2 | Nut | Dado | Ecrou | Mutter | |
| 6 | 112436051/0 | 2 | Plate | Piastrina | Plaquette | Plättchen | |
| 7 | 322869679/0 | 1 | Rod, Height Adjustment | Asta Comando Regol. Altezza | Tige Commande Reglage Hauteur | Stange, Höherstellung | |
| 8 | 122519823/0 | 2 | Pin | Perno | Pivot | Bolzen | |
| 9 | 122446193/0 | 1 | Spring | Molla | Ressort | Feder | |
| 11 | 112728698/0 | 4 | Screw | Vite | Vis | Schraube | |
| 12 | 322545152/0 | 2 | Plate | Piastrina | Plaquette | Plättchen | |
| 13 | 381302849/0 | 1 | Axle, Rear Wheels | Asse Ruote Posteriore | Axe Roues Arriere | Achse, Hinterrad | |
| 14 | 122534131/0 | 1 | Pin | Perno | Pivot | Bolzen | |
| 15 | 381003357/0 | 1 | Lever, Height Adjustment | Leva Regolazione Altezza | Levier Reglage Hauteur | Hebel, Höherstellung | |
| 16 | 122446192/0 | 1 | Spring | Molla | Ressort | Feder | |
| 17 | 112154510/0 | 1 | Nut | Dado | Ecrou | Mutter | |
| 18 | 322600240/0 | 2 | Protection, Wheel | Protezione Ruote | Protection Roue | Schutz, Räder | |
| 21 | 112521350/0 | 2 | Washer | Rosetta | Rondelle | Scheibe | |
| 22 | 112155000/0 | 2 | Nut | Dado | Ecrou | Mutter | |

contact@emc-motoculture.com

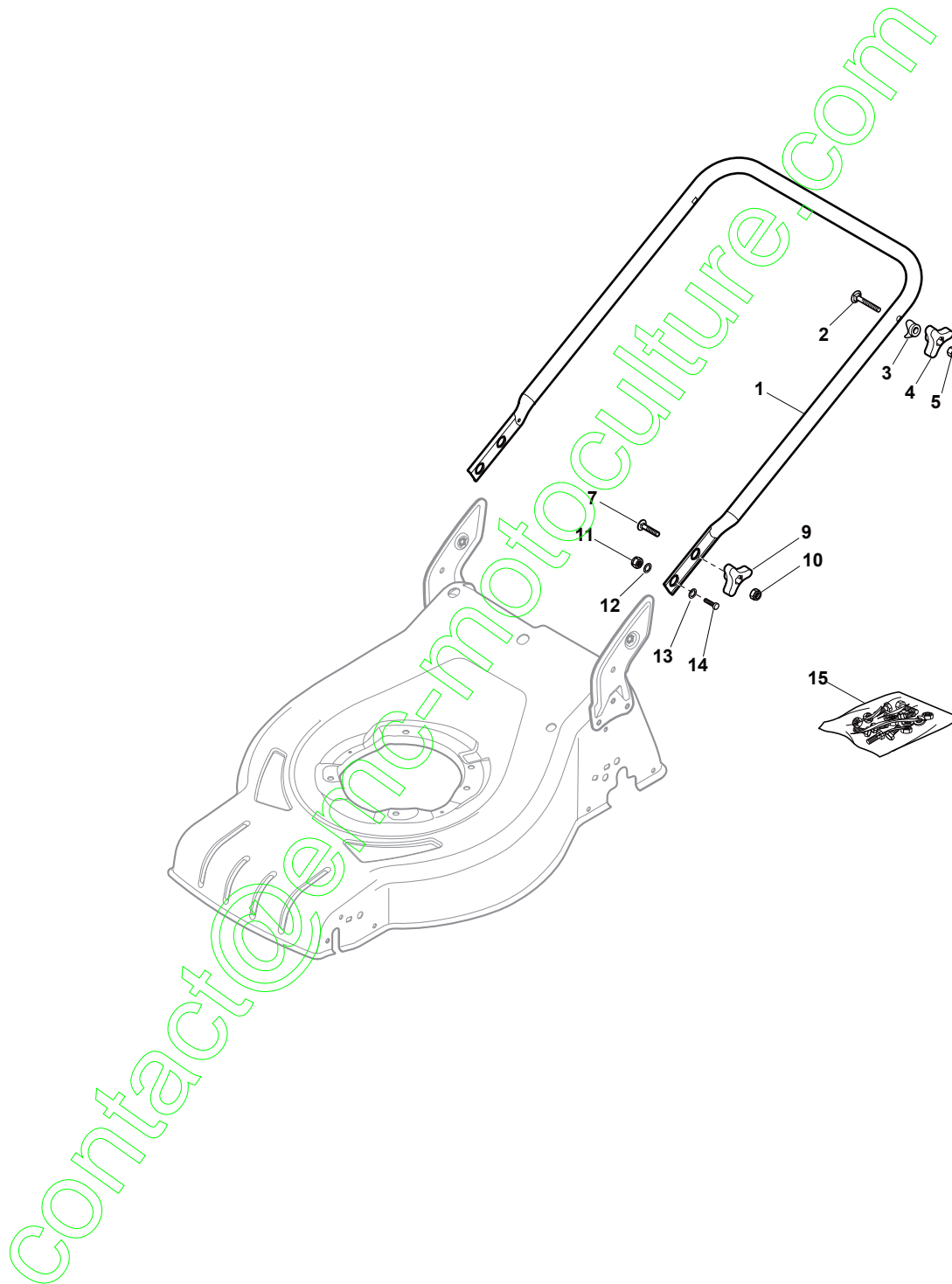
contact@emc-motoculture.com



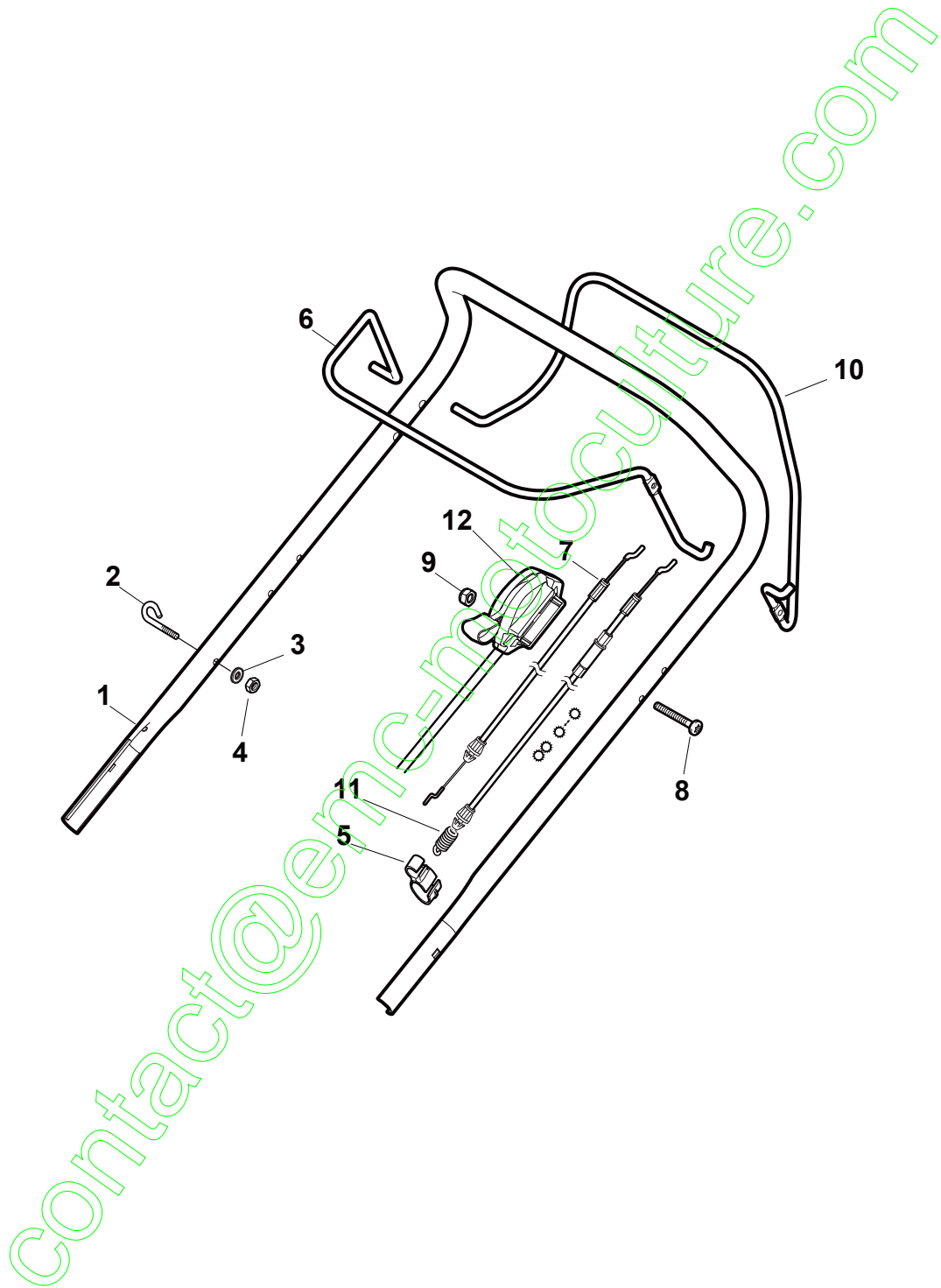
Mask

| POS | PART. NO | Q.ty | DESCRIPTION | DESCRIZIONE | DESCRIPTION | BESCHREIBUNG | REMARKS |
|-----|-------------|------|-------------|-------------------|--------------|----------------|---------|
| 1 | 322226169/0 | 1 | Mask, Black | Mascherina, Nero | Mesque, Noir | Maske, Schwarz | |
| 2 | 112728698/0 | 2 | Screw | Vite | Vis | Schraube | |
| 3 | 112728698/0 | 2 | Screw | Vite | Vis | Schraube | |
| 4 | 322226171/0 | 1 | Mask, Black | Mascherina, Nero | Mesque, Noir | Maske, Schwarz | |
| 5 | 322500107/0 | 1 | Front Combi | Pettine Anteriore | Vorne Comb | Peigne Avant | |
| 6 | 112728698/0 | 2 | Screw | Vite | Vis | Schraube | |

contact@emc-motoculture.com

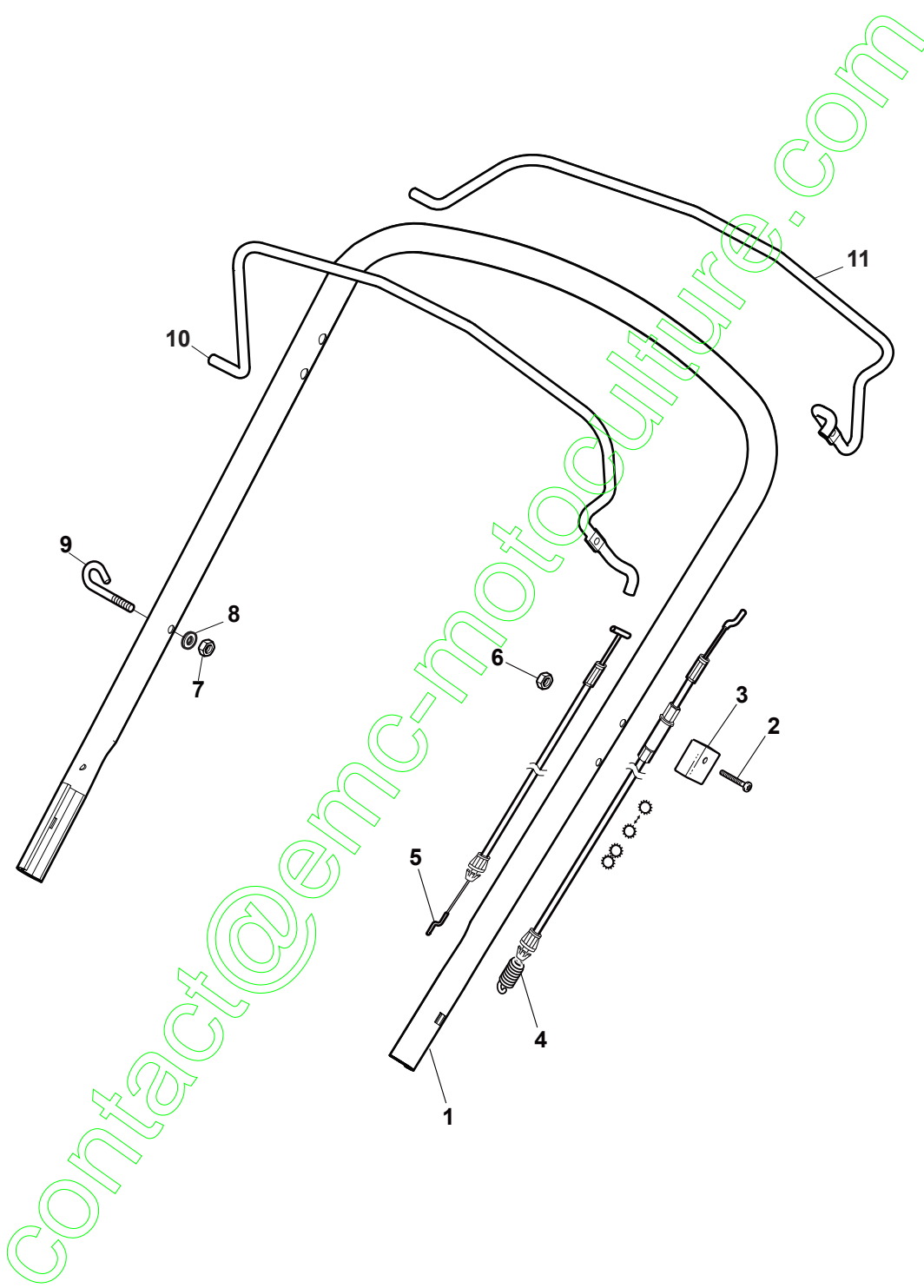


| Handle, Lower Part | | | | | | | |
|--------------------|-------------|------|-----------------------|-------------------------|------------------------------|-----------------|---------|
| POS | PART. NO | Q.ty | DESCRIPTION | DESCRIZIONE | DESCRIPTION | BESCHREIBUNG | REMARKS |
| 1 | 381006785/0 | 1 | Handle, Lower Part | Manico, Parte Inferiore | Mancheron, Partie Inferieure | Holm, Unterteil | Black |
| 1 | 381007538/0 | 1 | Handle, Lower Part | Manico, Parte Inferiore | Mancheron, Partie Inferieure | Holm, Unterteil | Yellow |
| 2 | 112819110/0 | 2 | Screw | Vite | Vis | Schraube | |
| 3 | 122671651/0 | 2 | Washer | Rosetta | Rondelle | Scheibe | |
| 4 | 122399900/0 | 2 | Knob, Black | Manopolina | Poignée, Noir | Griff | Black |
| 4 | 322399840/0 | 2 | Knob, Yellow | Manopolina | Poignée, Jaune | Griff | Yellow |
| 4 | 322399846/0 | 2 | Knob, Red | Manopolina | Poignée, Rouge | Griff | Red |
| 5 | 112293200/0 | 2 | Nut | Dado | Ecrou | Mutter | |
| 7 | 112818900/0 | 2 | Screw | Vite | Vis | Schraube | |
| 9 | 122399900/0 | 2 | Knob, Black | Manopolina | Poignée, Noir | Griff | Black |
| 9 | 322399840/0 | 2 | Knob, Yellow | Manopolina | Poignée, Jaune | Griff | Yellow |
| 9 | 322399846/0 | 2 | Knob, Red | Manopolina | Poignée, Rouge | Griff | Red |
| 10 | 112293200/0 | 2 | Nut | Dado | Ecrou | Mutter | |
| 11 | 112155000/0 | 2 | Nut | Dado | Ecrou | Mutter | |
| 12 | 112521350/0 | 2 | Washer | Rosetta | Rondelle | Scheibe | |
| 13 | 112369500/0 | 2 | Elastic Washer | Disco Elastico | Disque Elastique | Federscheibe | |
| 14 | 112760605/0 | 2 | Screw | Vite | Vis | Schraube | |
| 15 | 381008691/0 | 1 | Screws Outfit, Black | Dotazione Viteria | Dotation Visserie, Noir | Satz, Schrauben | Black |
| 15 | 381008692/0 | 1 | Screws Outfit, Yellow | Dotazione Viteria | Dotation Visserie, Jaune | Satz, Schrauben | Yellow |
| 15 | 381008695/0 | 1 | Screws Outfit, Red | Dotazione Viteria | Dotation Visserie, Rouge | Satz, Schrauben | Red |



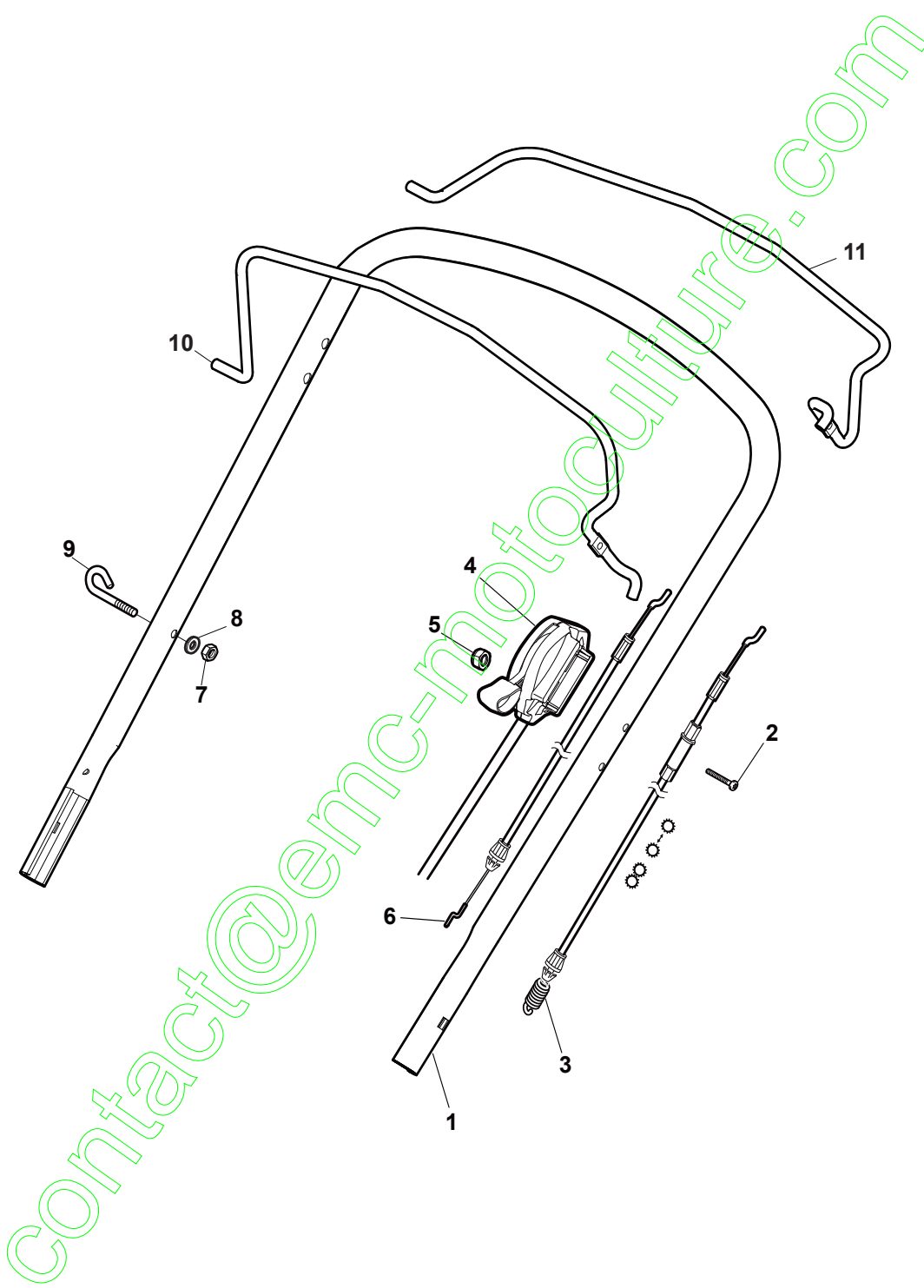
Deck And Height Adjusting

| POS | PART. NO | Q.ty | DESCRIPTION | DESCRIZIONE | DESCRIPTION | BESCHREIBUNG | REMARKS |
|-----|-------------|------|--|---|--|---------------------------------------|----------------------------------|
| 1 | 381006739/1 | 1 | Handle, Upper Part | Manico, Parte Sup | Mancheron, Partie Superieure | Holm, Oberteil | |
| 1 | 381006745/1 | 1 | Handle, Upper Part with sponge handgrip | Manico, Parte Sup. con impugantura in spugna | Mancheron, Partie Superieure avec éponge poignée | Holm, Oberteil Handgriff Schwamm | |
| 1 | 381006754/0 | 1 | Handle, Upper Part with sponge handgrip Yellow | Manico, Parte Sup. con impugantura in spugna Giallo | Mancheron, Partie Superieure avec éponge poignée Jaune | Holm, Oberteil Handgriff Schwamm Gelb | |
| 2 | 122430313/0 | 1 | Guide Spring | Molla Guida | Ressort De Guide | Feder Führer | |
| 3 | 112521330/0 | 1 | Washer | Rosetta | Rondelle | Scheibe | |
| 4 | 112154510/0 | 1 | Nut | Dado | Ecrou | Mutter | |
| 5 | 118390020/0 | 1 | Fairlead | Fermacavo | Fixation Cable | Kabelbefestigung | |
| 6 | 181003363/1 | 1 | Lever, Engine Brake Black | Leva Freno Motore Nero | Levier Frein Moteur Noir | Hebel, Motorbremse Schwarz | Black |
| 6 | 381003365/0 | 1 | Lever, Engine Brake Yellow | Leva Freno Motore, Giallo | Levier Frein Moteur Jaune | Hebel, Motorbremse, Gelb | Yellow |
| 6 | 381003376/0 | 1 | Lever, Engine Brake Red | Leva Freno Motore, Rosso | Levier Frein Moteur Rouge | Hebel, Motorbremse, Rot | Red |
| 7 | 181030054/0 | 1 | Cable, Thread Engine Brake | Cavo Freno Motore | Cable Frein Moteur | Kabel, Motorbremse | for GGP V35-SV40 |
| 7 | 181030069/1 | 1 | Cable, Thread Engine Bra | Cavo Freno Motore | Cable Frein Moteur | Kabel, Motorbremse | For HONDA Engine |
| 7 | 181030087/0 | 1 | Cable, Thread Engine Bra | Cavo Freno Motore | Cable Frein Moteur | Kabel, Motorbremse | For GGP-B&S Engine |
| 7 | 181030088/0 | 1 | Cable, Thread Engine Bra | Cavo Freno Motore | Cable Frein Moteur | Kabel, Motorbremse | For HONDA Engine |
| 8 | 112727788/0 | 1 | Screw | Vite | Vis | Schraube | |
| 9 | 112154510/0 | 1 | Nut | Dado | Ecrou | Mutter | |
| 10 | 181003364/0 | 1 | Lever, Driving | Leva Trazione | Levier Traction | Hebel, Antrieb | Black |
| 10 | 381003366/0 | 1 | Lever, Driving | Leva Trazione | Levier Traction | Hebel, Antrieb | Yellow |
| 10 | 381003377/0 | 1 | Lever, Driving | Leva Trazione | Levier Traction | Hebel, Antrieb | Red |
| 11 | 381030051/0 | 1 | Cable, Rear Drive | Cavo Comando Trazione | Cable, Comm. Traction | Kabel, Antrieb | |
| 12 | 181005504/1 | 1 | Throttle Cable | Cavo Acceleratore | Cable, Accelérateur | Gashebel Kabel | for GGP V35-SV40 |
| 12 | 181005512/0 | 1 | Throttle Cable | Cavo Acceleratore | Cable, Accelérateur | Gashebel Kabel | for GGP 140-160-196-160S |
| 12 | 181005512/0 | 1 | Throttle Cable | Cavo Acceleratore | Cable, Accelérateur | Gashebel Kabel | GCV135-160 |
| 12 | 181005513/0 | 1 | Throttle Cable | Cavo Acceleratore | Cable, Accelérateur | Gashebel Kabel | GCV190 |
| 12 | 181005516/0 | 1 | Throttle Cable | Cavo Acceleratore | Cable, Accelérateur | Gashebel Kabel | for B&S 625-650-675-675ES Series |
| 12 | 181005525/0 | 1 | Throttle Cable | Cavo Acceleratore | Cable, Accelérateur | Gashebel Kabel | for B&S 500E-550E-575EX |
| 12 | 181005526/0 | 1 | Throttle Cable | Cavo Acceleratore | Cable, Accelérateur | Gashebel Kabel | for B&S 850 series |
| 12 | 181005532/0 | 1 | Throttle Cable | Cavo Acceleratore | Cable, Accelérateur | Gashebel Kabel | for GGP 100cc |

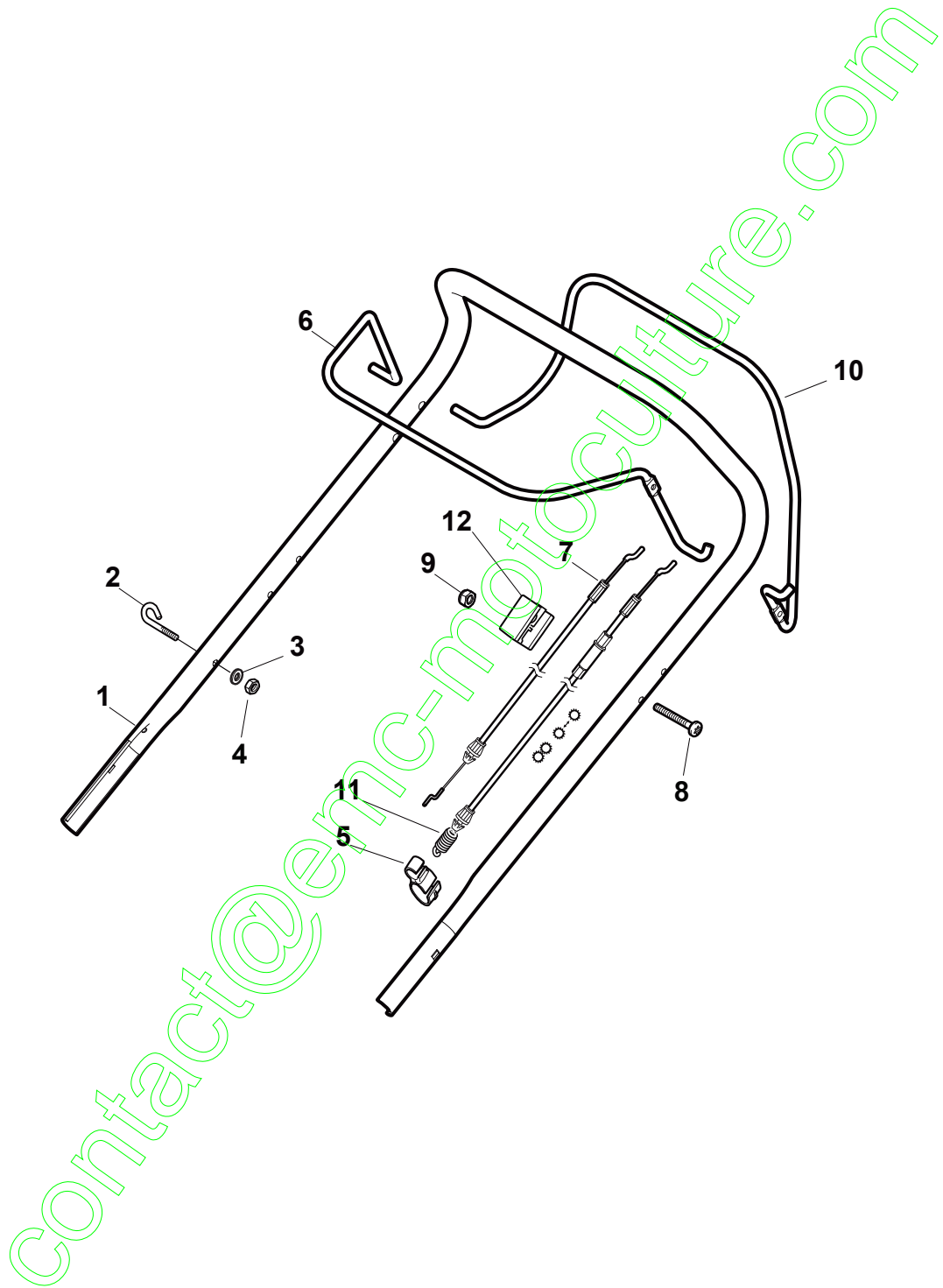


| Handle, Upper Part | | | | | | | |
|--------------------|-------------|------|----------------------------|-----------------------|------------------------------|--------------------|--------------------------|
| POS | PART. NO | Q.ty | DESCRIPTION | DESCRIZIONE | DESCRIPTION | BESCHREIBUNG | REMARKS |
| 1 | 381006740/0 | 1 | Handle, Upper Part | Manico, Parte Sup | Mancheron, Partie Superieure | Holm, Oberteil | |
| 2 | 112727783/0 | 1 | Screw | Vite | Vis | Schraube | |
| 3 | 322551640/0 | 1 | Plate | Piastrina | Plaquette | Plättchen | |
| 4 | 381030085/0 | 1 | Cable, Rear Drive | Cavo Comando Trazione | Câble, Comm. Traction | Kabel, Antrieb | |
| 5 | 181030053/0 | 1 | Cable, Thread Engine Brake | Cavo Freno Motore | Cable Frein Moteur | Kabel, Motorbremse | for GGP V35-SV40 |
| 5 | 181030089/0 | 1 | Cable, Thread Engine Brake | Cavo Freno Motore | Cable Frein Moteur | Kabel, Motorbremse | for GGP-HONDA-B&S Engine |
| 6 | 112154510/0 | 1 | Nut | Dado | Ecrou | Mutter | |
| 7 | 112154510/0 | 1 | Nut | Dado | Ecrou | Mutter | |
| 8 | 112521330/0 | 1 | Washer | Rosetta | Rondelle | Scheibe | |
| 9 | 122430313/0 | 1 | Guide Spring | Molla Guida | Ressort De Guide | Feder Führer | |
| 10 | 181003369/0 | 1 | Lever, Engine Brake | Leva Freno Motore | Levier Frein Moteur | Hebel, Motorbremse | |
| 11 | 181003371/0 | 1 | Driving Lever | Leva Trazione | Levier Traction | Antriebhebel | |

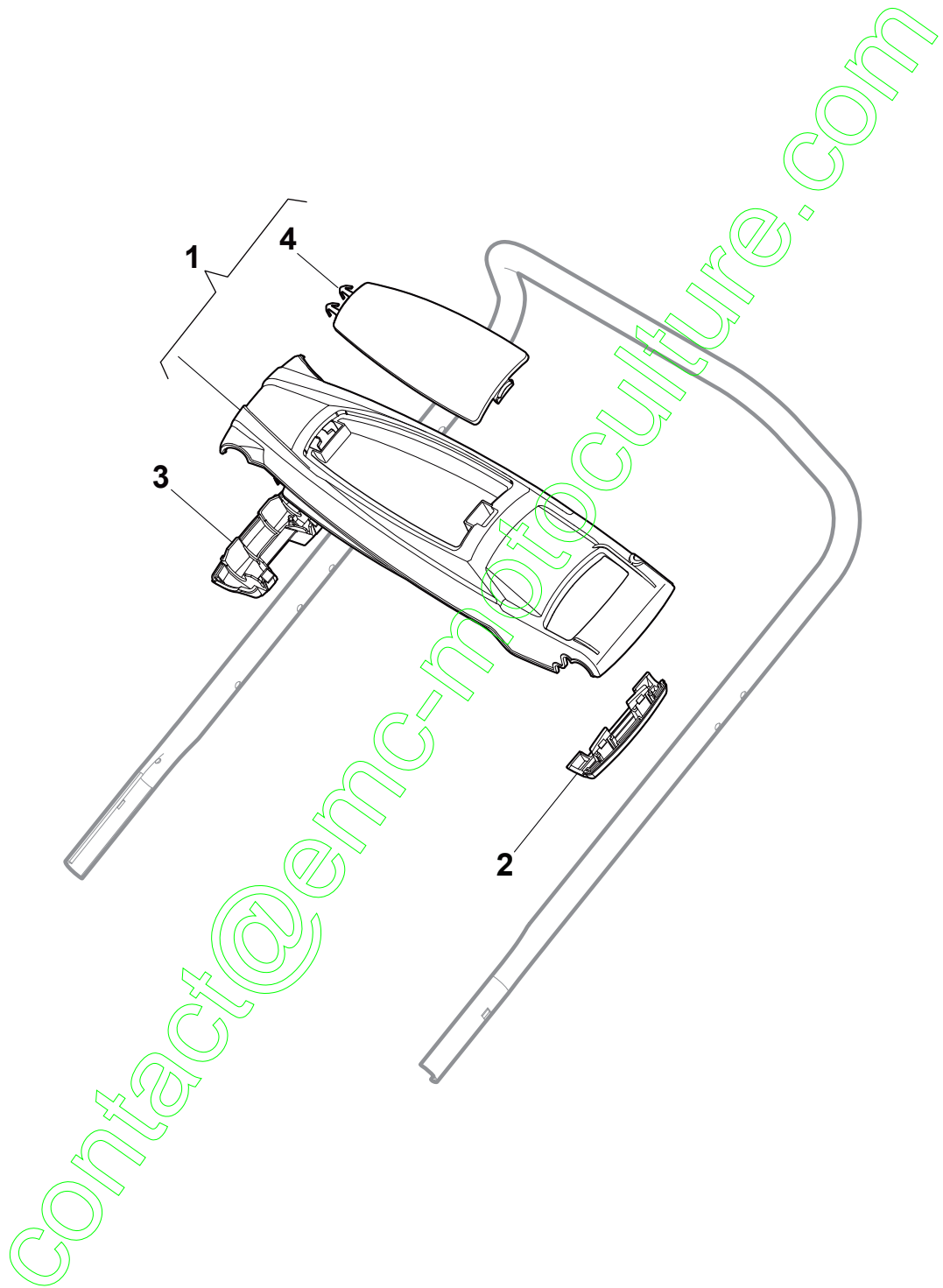
contact@emc-motoculture.com



| Handle, Upper Part | | | | | | | |
|--------------------|-------------|------|----------------------------|-----------------------|------------------------------|--------------------|---|
| POS | PART. NO | Q.ty | DESCRIPTION | DESCRIZIONE | DESCRIPTION | BESCHREIBUNG | REMARKS |
| 1 | 381006740/0 | 1 | Handle, Upper Part | Manico, Parte Sup | Mancheron, Partie Superieure | Holm, Oberteil | |
| 2 | 112727788/0 | 1 | Screw | Vite | Vis | Schraube | |
| 3 | 381030085/0 | 1 | Cable, Rear Drive | Cavo Comando Trazione | Câble, Comm. Traction | Kabel, Antrieb | |
| 4 | 181005521/0 | 1 | Throttle Cable | Cavo Acceleratore | Cable, Accelérateur | Gashebel Kabel | for GGP V35-SV40 |
| 4 | 181005524/0 | 1 | Throttle Cable | Cavo Acceleratore | Cable, Accelérateur | Gashebel Kabel | for Honda GCV135 |
| 4 | 181005527/0 | 1 | Throttle Cable | Cavo Acceleratore | Cable, Accelérateur | Gashebel Kabel | for Honda GCV160 / GGP140-160-160ES-196 |
| 4 | 181005528/0 | 1 | Throttle Cable | Cavo Acceleratore | Cable, Accelérateur | Gashebel Kabel | for B&S625-675-675ES series |
| 4 | 181005529/0 | 1 | Throttle Cable | Cavo Acceleratore | Cable, Accelérateur | Gashebel Kabel | for B&S 850 series |
| 4 | 181005530/0 | 1 | Throttle Cable | Cavo Acceleratore | Cable, Accelérateur | Gashebel Kabel | for B&S 500-550-575 series |
| 4 | 181005531/0 | 1 | Throttle Cable | Cavo Acceleratore | Cable, Accelérateur | Gashebel Kabel | for Honda GCV 190 |
| 4 | 181005534/0 | 1 | Throttle Cable | Cavo Acceleratore | Cable, Accelérateur | Gashebel Kabel | for GGP RSC-100 |
| 5 | 112154510/0 | 1 | Nut | Dado | Ecrou | Mutter | |
| 6 | 181030053/0 | 1 | Cable, Thread Engine Brake | Cavo Freno Motore | Cable Frein Moteur | Kabel, Motorbremse | for GGP V35-SV40 |
| 6 | 181030089/0 | 1 | Cable, Thread Engine Brake | Cavo Freno Motore | Cable Frein Moteur | Kabel, Motorbremse | for B&S-GGP-HONDA Engine |
| 7 | 112154510/0 | 1 | Nut | Dado | Ecrou | Mutter | |
| 8 | 112521330/0 | 1 | Washer | Rosetta | Rondelle | Scheibe | |
| 9 | 122430313/0 | 1 | Guide Spring | Molla Guida | Ressort De Guide | Feder Führer | |
| 10 | 181003369/0 | 1 | Lever, Engine Brake | Leva Freno Motore | Levier Frein Moteur | Hebel, Motorbremse | |
| 11 | 181003371/0 | 1 | Driving Lever | Leva Trazione | Levier Traction | Antriebhebel | |



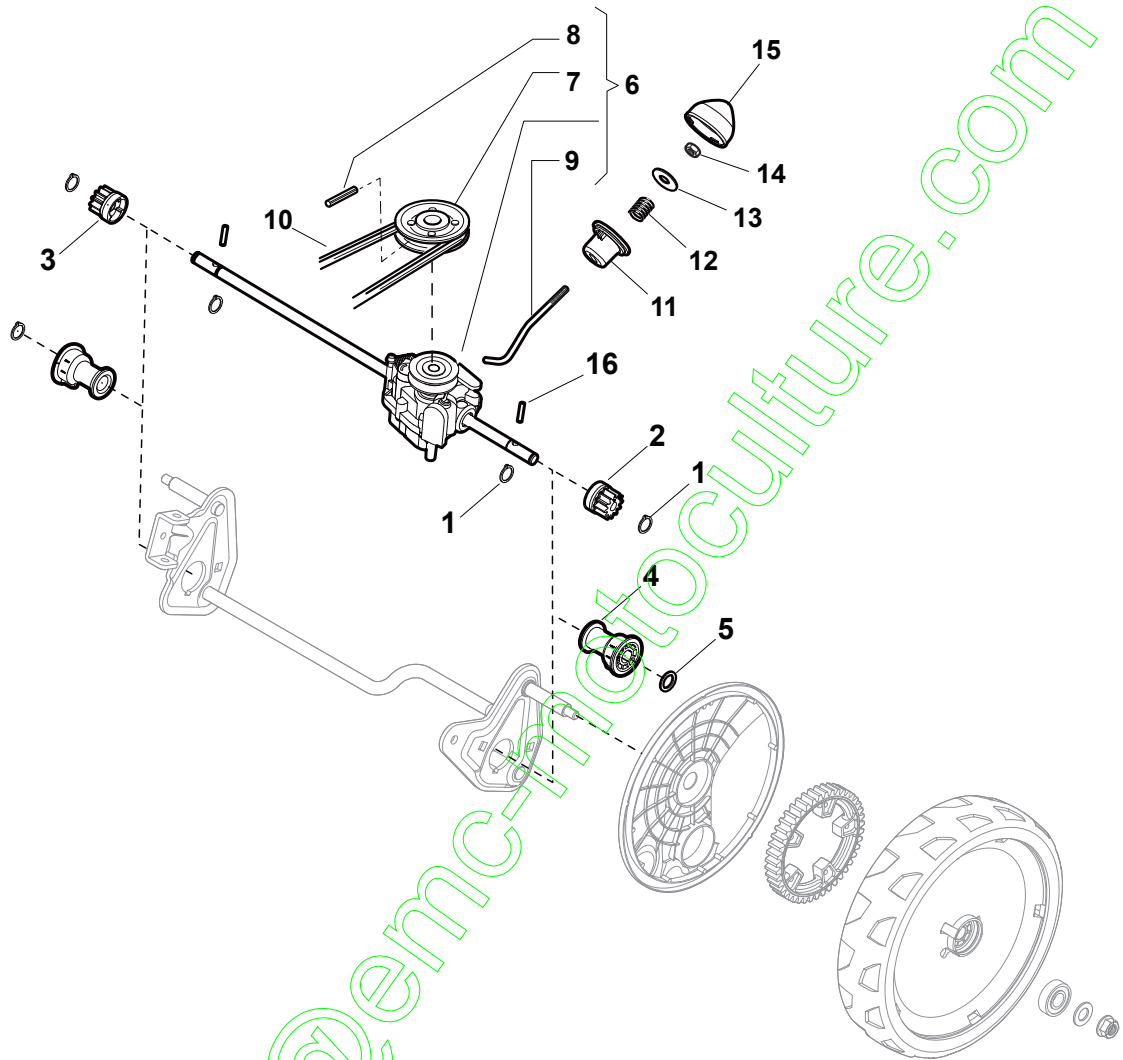
| Handle, Upper Part | | | | | | | |
|--------------------|-------------|------|--|---|--|---------------------------------------|--------------------|
| POS | PART. NO | Q.ty | DESCRIPTION | DESCRIZIONE | DESCRIPTION | BESCHREIBUNG | REMARKS |
| 1 | 381006739/1 | 1 | Handle, Upper Part | Manico, Parte Sup | Mancheron, Partie Superieure | Holm, Oberteil | |
| 1 | 381006745/1 | 1 | Handle, Upper Part with sponge handgrip | Manico, Parte Sup. con impugantura in spugna | Mancheron, Partie Superieure avec éponge poignée | Holm, Oberteil Handgriff Schwamm | |
| 1 | 381006754/0 | 1 | Handle, Upper Part with sponge handgrip Yellow | Manico, Parte Sup. con impugantura in spugna Giallo | Mancheron, Partie Superieure avec éponge poignée Jaune | Holm, Oberteil Handgriff Schwamm Gelb | |
| 2 | 122430313/0 | 1 | Guide Spring | Molla Guida | Ressort De Guide | Feder Führer | |
| 3 | 112521330/0 | 1 | Washer | Rosetta | Rondelle | Scheibe | |
| 4 | 112154510/0 | 1 | Nut | Dado | Ecrou | Mutter | |
| 5 | 118390020/0 | 1 | Fairlead | Fermacavo | Fixation Cable | Kabelbefestigung | |
| 6 | 181003363/1 | 1 | Lever, Engine Brake Black | Leva Freno Motore Nero | Levier Frein Moteur Noir | Hebel, Motorbremse Schwarz | Black |
| 6 | 381003365/0 | 1 | Lever, Engine Brake Yellow | Leva Freno Motore, Giallo | Levier Frein Moteur Jaune | Hebel, Motorbremse, Gelb | Yellow |
| 6 | 381003376/0 | 1 | Lever, Engine Brake Red | Leva Freno Motore, Rosso | Levier Frein Moteur Rouge | Hebel, Motorbremse, Rot | Red |
| 7 | 181030054/0 | 1 | Cable, Thread Engine Brake | Cavo Freno Motore | Cable Frein Moteur | Kabel, Motorbremse | for GGP V35-SV40 |
| 7 | 181030069/1 | 1 | Cable, Thread Engine Brake | Cavo Freno Motore | Cable Frein Moteur | Kabel, Motorbremse | For HONDA Engine |
| 7 | 181030087/0 | 1 | Cable, Thread Engine Brake | Cavo Freno Motore | Cable Frein Moteur | Kabel, Motorbremse | for B&S-GGP Engine |
| 7 | 181030088/0 | 1 | Cable, Thread Engine Brake | Cavo Freno Motore | Cable Frein Moteur | Kabel, Motorbremse | For HONDA Engine |
| 8 | 112727783/0 | 1 | Screw | Vite | Vis | Schraube | |
| 9 | 112154510/0 | 1 | Nut | Dado | Ecrou | Mutter | |
| 10 | 181003364/0 | 1 | Lever, Driving | Leva Trazione | Levier Traction | Hebel, Antrieb | Black |
| 10 | 381003366/0 | 1 | Lever, Driving | Leva Trazione | Levier Traction | Hebel, Antrieb | Yellow |
| 10 | 381003377/0 | 1 | Lever, Driving | Leva Trazione | Levier Traction | Hebel, Antrieb | Red |
| 11 | 381030051/0 | 1 | Cable, Rear Drive | Cavo Comando Trazione | Cable, Comm. Traction | Kabel, Antrieb | |
| 12 | 322551640/0 | 1 | Plate | Piastrina | Plaquette | Plättchen | |



Dash Board - Delta

| POS | PART. NO | Q.ty | DESCRIPTION | DESCRIZIONE | DESCRIPTION | BESCHREIBUNG | REMARKS |
|-----|-------------|------|-------------------|---------------------|--------------------|---------------|---------|
| 1 | 381124000/0 | 1 | Dash Board Red | Cruscotto Rosso | Console Rouge | Konsole Rote | |
| 1 | 381124001/0 | 1 | Dash Board Yellow | Cruscotto Giallo | Console Jaune | Konsole Gelbe | |
| 2 | 322546055/0 | 1 | Plate Red | Piastrina Rossa | Plaquette Rouge | Plättchen | |
| 2 | 322546057/0 | 1 | Plate Yellow | Piastrina Gialla | Plaquette Jaune | Plättchen | |
| 3 | 322546054/0 | 1 | Plate Red | Piastrina Rossa | Plaquette Rouge | Plättchen | |
| 3 | 322546056/0 | 1 | Plate Yellow | Piastrina Gialla | Plaquette Jaune | Plättchen | |
| 4 | 322120191/0 | 1 | Dash Board Cover | Copertura Cruscotto | Console Couverture | Konsole Haube | |

contact@emc-motoculture.com



Rear Drive

| POS | PART. NO | Q.ty | DESCRIPTION | DESCRIZIONE | DESCRIPTION | BESCHREIBUNG | REMARKS |
|-----|-------------|------|----------------|------------------|-----------------|-------------------|---------|
| 1 | 112608600/0 | 4 | Seeger | Seeger | Seeger | Seeger | |
| 2 | 122570134/0 | 1 | Pinion L | Pignone Sx | Pignon G | Ritzel Linkes | |
| 3 | 122570133/0 | 1 | Pinion R | Pignone Dx | Pignon D | Ritzel Rechtes | |
| 4 | 322042067/0 | 2 | Bush | Bussola | Douille | Büchse | |
| 5 | 112521371/0 | 2 | Washer | Rosetta | Rondelle | Scheibe | |
| 6 | 181003092/0 | 1 | Gear Box | Gruppo Trazione | Groupe Traction | Antrieb | |
| 7 | 122601904/0 | 1 | Pulley | Puleggia | Poulie | Riemenscheibe | |
| 8 | 112645705/0 | 1 | Pin | Perno | Pivot | Bolzen | |
| 9 | 122033283/0 | 1 | Adjustment Rod | Asta Regolazione | Tige Reglage | Verstellungstange | |
| 10 | 135064196/0 | 1 | Belt | Cinghia | Courroire | Riemen | |
| 11 | 122041957/1 | 1 | Bush | Bussola | Douille | Büchse | |
| 12 | 122450063/0 | 1 | Spring | Molla | Ressort | Feder | |
| 13 | 322680009/0 | 1 | Washer | Rosetta | Rondelle | Scheibe | |
| 14 | 112154510/0 | 1 | Nut | Dado | Ecrou | Mutter | |
| 15 | 122110230/0 | 1 | Cap | Puntale | Bouchon | Gummistopfen | |
| 16 | 122753000/0 | 2 | Pin | Perno | Pivot | Bolzen | |

contact@emc-motoculture.com

Bushing - Ø 200

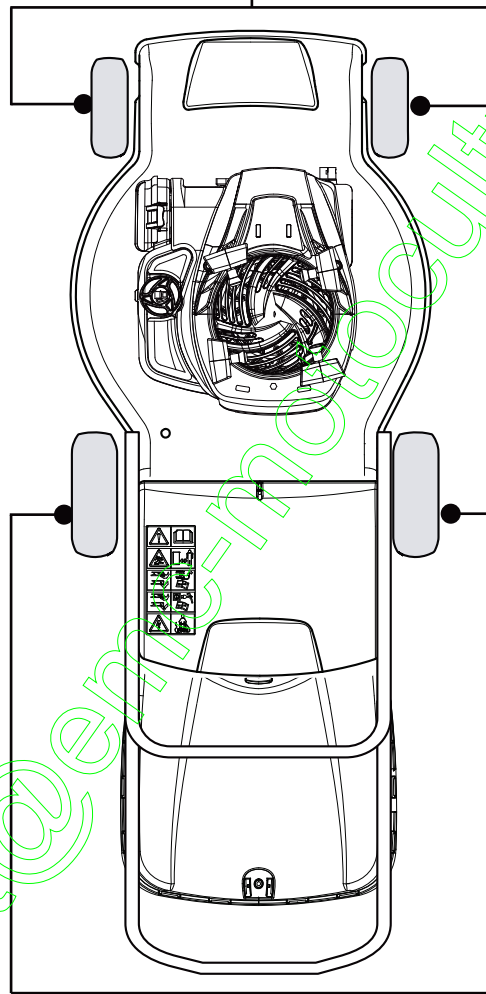
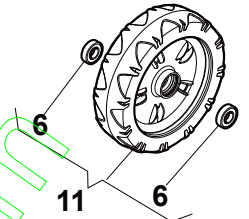
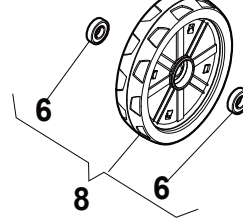
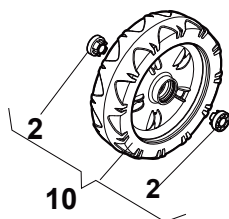
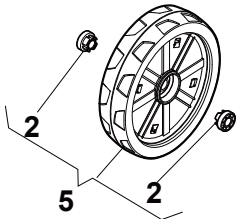
Ball Bearing - Ø 200

DELTA Wheel

NTD Wheel

DELTA Wheel

NTD Wheel

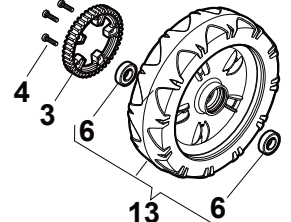
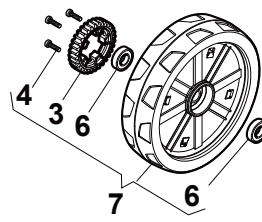
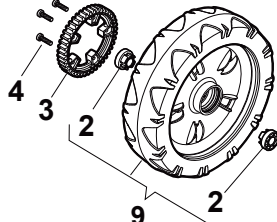
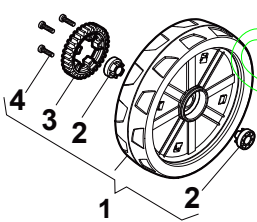


DELTA Wheel

NTD Wheel

DELTA Wheel

NTD Wheel

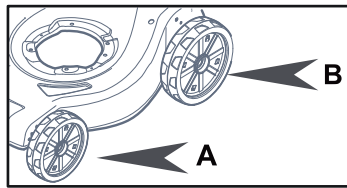


Bushing - Ø280

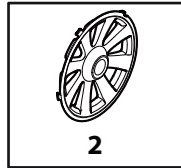
Ball Bearing - Ø280

| Wheels | | | | | | | |
|--------|-------------|------|-------------|-------------|-------------|--------------|---------|
| POS | PART. NO | Q.ty | DESCRIPTION | DESCRIZIONE | DESCRIPTION | BESCHREIBUNG | REMARKS |
| 1 | 381007486/1 | 2 | Wheel Ø 280 | Ruota Ø 280 | Roue Ø 280 | Rad Ø 280 | |
| 2 | 322042064/0 | 8 | Bush | Bussola | Douille | Büchse | |
| 3 | 322120115/0 | 2 | Ring Gear | Corona | Couronne | Kranz | |
| 4 | 112728706/0 | 6 | Screw | Vite | Vis | Schraube | |
| 5 | 381007481/1 | 2 | Wheel Ø 200 | Ruota Ø 200 | Roue Ø 200 | Rad Ø 200 | |
| 6 | 119216035/0 | 8 | Bearing | Cuscinetto | Coussinet | Lager | |
| 7 | 381007479/1 | 2 | Wheel Ø 280 | Ruota Ø 280 | Roue Ø 280 | Rad Ø 280 | |
| 8 | 381007483/1 | 2 | Wheel Ø 200 | Ruota Ø 200 | Roue Ø 200 | Rad Ø 200 | |
| 9 | 381007436/1 | 2 | Wheel Ø 280 | Ruota Ø 280 | Roue Ø 280 | Rad Ø 280 | |
| 10 | 381007435/1 | 2 | Wheel Ø 200 | Ruota Ø 200 | Roue Ø 200 | Rad Ø 200 | |
| 11 | 381007416/2 | 2 | Wheel Ø 200 | Ruota Ø 200 | Roue Ø 200 | Rad Ø 200 | |
| 13 | 381007417/2 | 2 | Wheel Ø 280 | Ruota Ø 280 | Roue Ø 280 | Rad Ø 280 | |

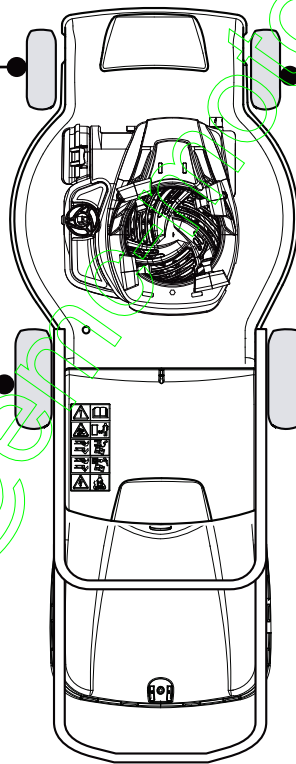
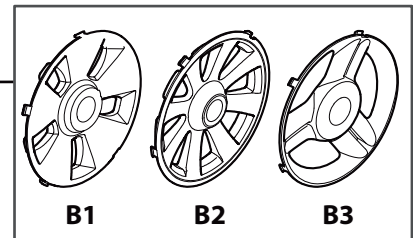
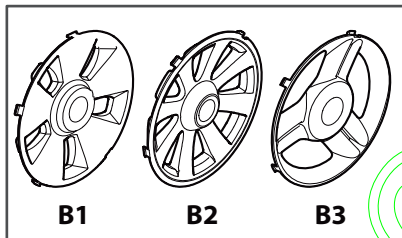
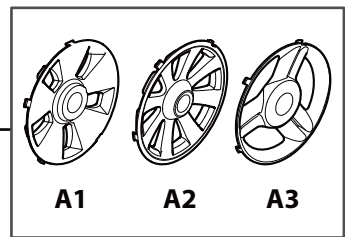
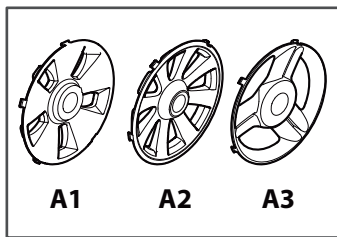
contact@emc-motoculture.com



+



= A2

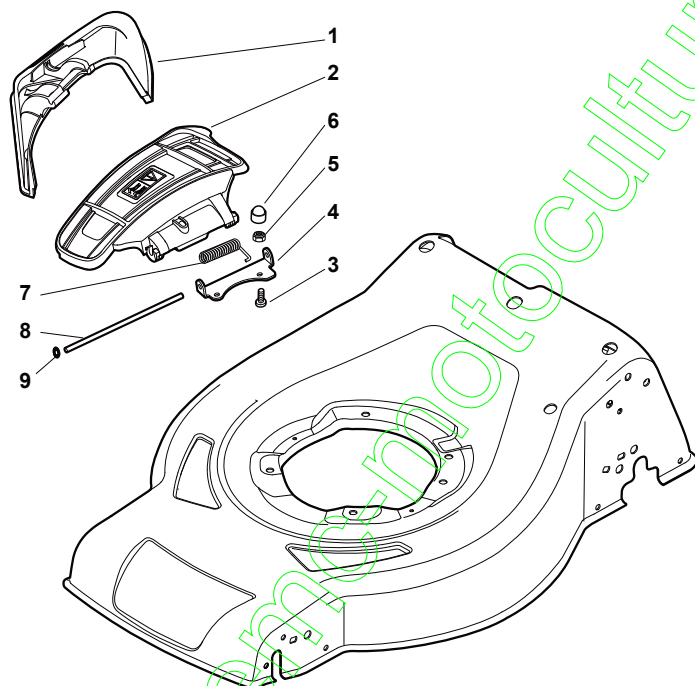


Hub Cap

| POS | PART. NO | Q.ty | DESCRIPTION | DESCRIZIONE | DESCRIPTION | BESCHREIBUNG | REMARKS |
|-----|-------------|------|--------------|-----------------|-------------------|---------------|---------|
| A1 | 322110643/0 | 2 | Hub Cap | Coprizzo | Couvre-Moyeu | Radkappe | |
| B1 | 322110644/0 | 2 | Hub Cap | Coprizzo | Couvre-Moyeu | Radkappe | |
| A2 | 322110645/0 | 2 | Hub Cap Grey | Coprizzo Grigio | Couvre-Moyeu Gris | Radkappe Grau | |
| B2 | 322110646/0 | 2 | Hub Cap Grey | Coprizzo Grigio | Couvre-Moyeu Gris | Radkappe Grau | |
| A3 | 322110687/0 | 2 | Hub Cap Grey | Coprizzo Grigio | Couvre-Moyeu Gris | Radkappe Grau | |
| B3 | 322110641/0 | 2 | Hub Cap Grey | Coprizzo Grigio | Couvre-Moyeu Gris | Radkappe Grau | |

contact@emc-motoculture.com

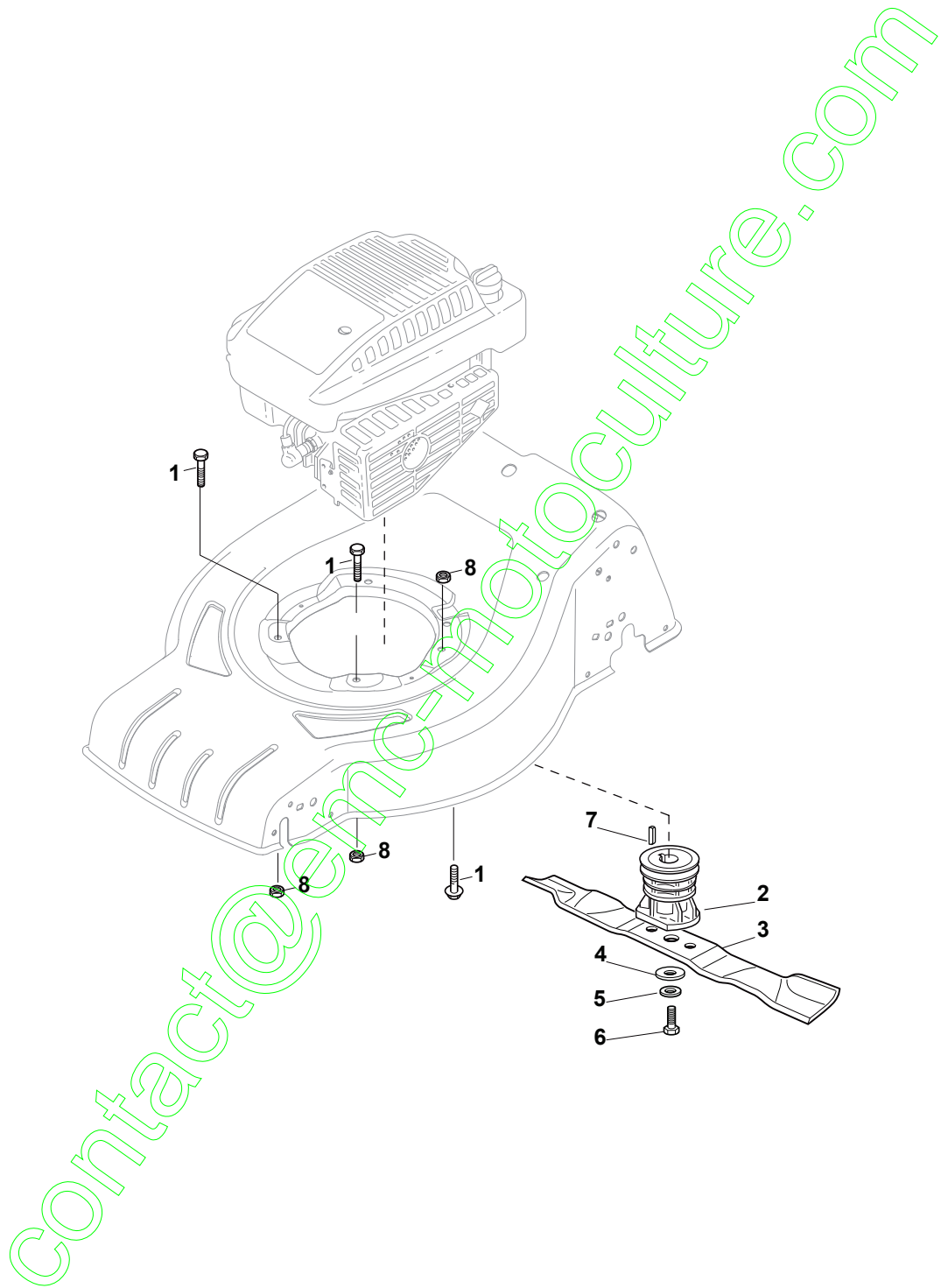
contact@emotoculture.com



Ejection Guard

| POS | PART. NO | Q.ty | DESCRIPTION | DESCRIZIONE | DESCRIPTION | BESCHREIBUNG | REMARKS |
|-----|-------------|------|--------------------|---------------------|---------------------|---------------------|---------|
| 1 | 322108309/0 | 1 | Rear Conveyor Assy | Convogl. Posteriore | Convoyeur Post. | Hinterleitblechsatz | Black |
| 2 | 322600238/0 | 1 | Ejection Guard | Protezione Uscita | Protection Sortie | Auswurfschutz | |
| 3 | 112727803/0 | 2 | Screw | Vite | Vis | Schraube | |
| 4 | 322806639/0 | 1 | Fulcrum Pin | Perno Fulcro | Pivot | Gelenkpunkt | |
| 5 | 112154510/0 | 2 | Nut | Dado | Ecrou | Mutter | |
| 6 | 118203853/0 | 2 | Protection | Cappuccio | Capuchon | Stecker | |
| 7 | 122450456/0 | 1 | Spring | Molla | Ressort | Feder | |
| 8 | 122517869/0 | 1 | Pin | Perno | Pivot | Bolzen | |
| 9 | 112604896/0 | 2 | Crown Fastener | Fissatore A Corona | Fixateur A Couronne | Kronescheibe | |

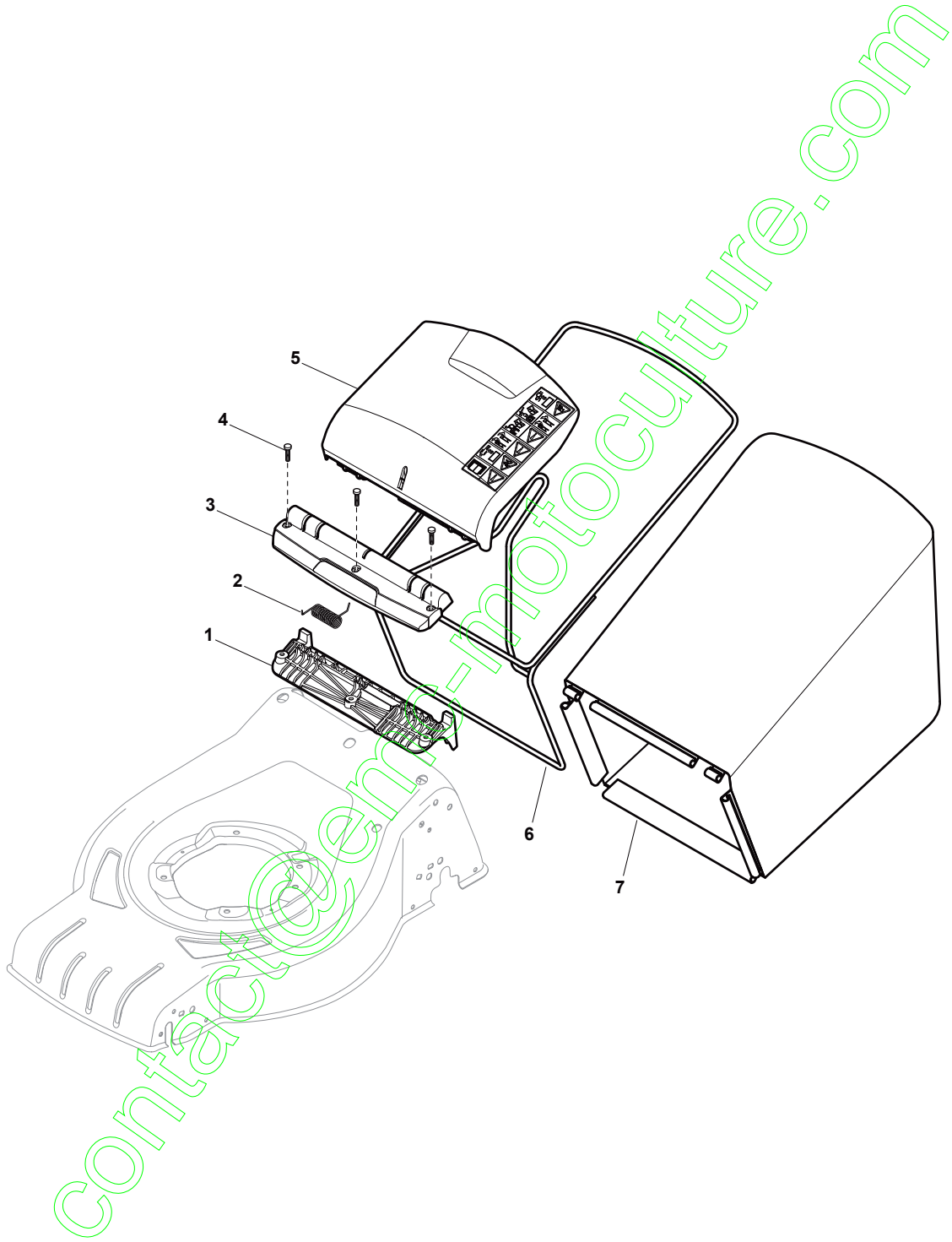
contact@emc-motoculture.com



Blade and Hub

| POS | PART. NO | Q.ty | DESCRIPTION | DESCRIZIONE | DESCRIPTION | BESCHREIBUNG | REMARKS |
|-----|-------------|------|---------------------------------------|---|---|--|----------------------|
| 1 | 112691100/0 | 3 | Screw | Vite | Vis | Schraube | for B&S E series |
| 1 | 112691115/0 | 3 | Screw | Vite | Vis | Schraube | for HONDA-GGP Engine |
| 1 | 112691100/0 | 2 | Screw | Vite | Vis | Schraube | for B&S Engine |
| 1 | 112691800/0 | 1 | Screw | Vite | Vis | Schraube | for B&S Engine |
| 2 | 122465607/3 | 1 | Hub With Pulley, Crankshaft Ø 22.2 | Mozzo Con Puleggia, Albero Motore Ø 22.2 | Moyeu Avec Poulie, Arbre Moteur Ø 22.2 | Nabe Mit Scheibe, Motorwelle Ø 22.2 | for B&S-GGP Engine |
| 2 | 122465608/2 | 1 | Hub With Pulley, Crankshaft Ø 25 | Mozzo Con Puleggia, Albero Motore Ø 25 | Moyeu Avec Poulie, Arbre Moteur Ø 25 | Nabe Mit Scheibe, Motorwelle Ø 25 | for HONDA Engine |
| 3 | 181004459/0 | 1 | Blade Standard | Coltello Standard | Lame Standard | Messer Standard | |
| 4 | 122160400/0 | 1 | Elastic Washer | Disco Elastico | Disque Elastique | Federscheibe | |
| 5 | 112523080/0 | 1 | Washer | Rosetta | Rondelle | Scheibe | |
| 6 | 112735698/0 | 1 | Screw | Vite | Vis | Schraube | |
| 7 | 112139100/0 | 1 | Feather, Crankshaft Ø 22.2 | Linguetta, Albero Motore Ø 22.2 | Clavette, Arbre Moteur Ø 22.2 | Keil, Motorwelle Ø 22.2 | for B&S-GGP Engine |
| 7 | 112139150/0 | 1 | Feather, Crankshaft Ø 25 | Linguetta, Albero Motore Ø 25 | Clavette, Arbre Moteur Ø 25 | Keil, Motorwelle Ø 25 | for HONDA Engine |
| 8 | 112154210/0 | 3 | Screw | Vite | Vis | Schraube | |

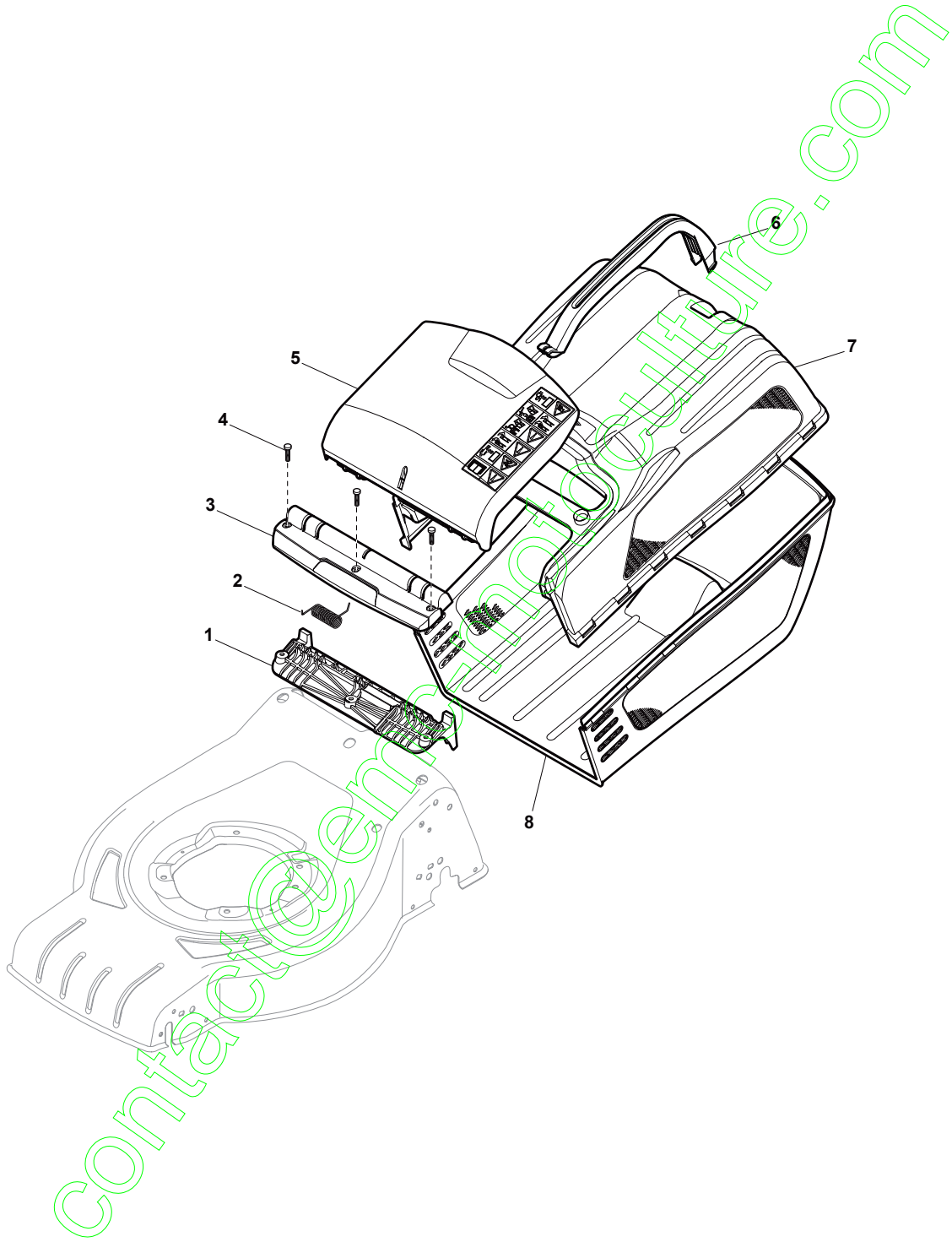
contact@emc-motoculture.com



Grass-Catcher

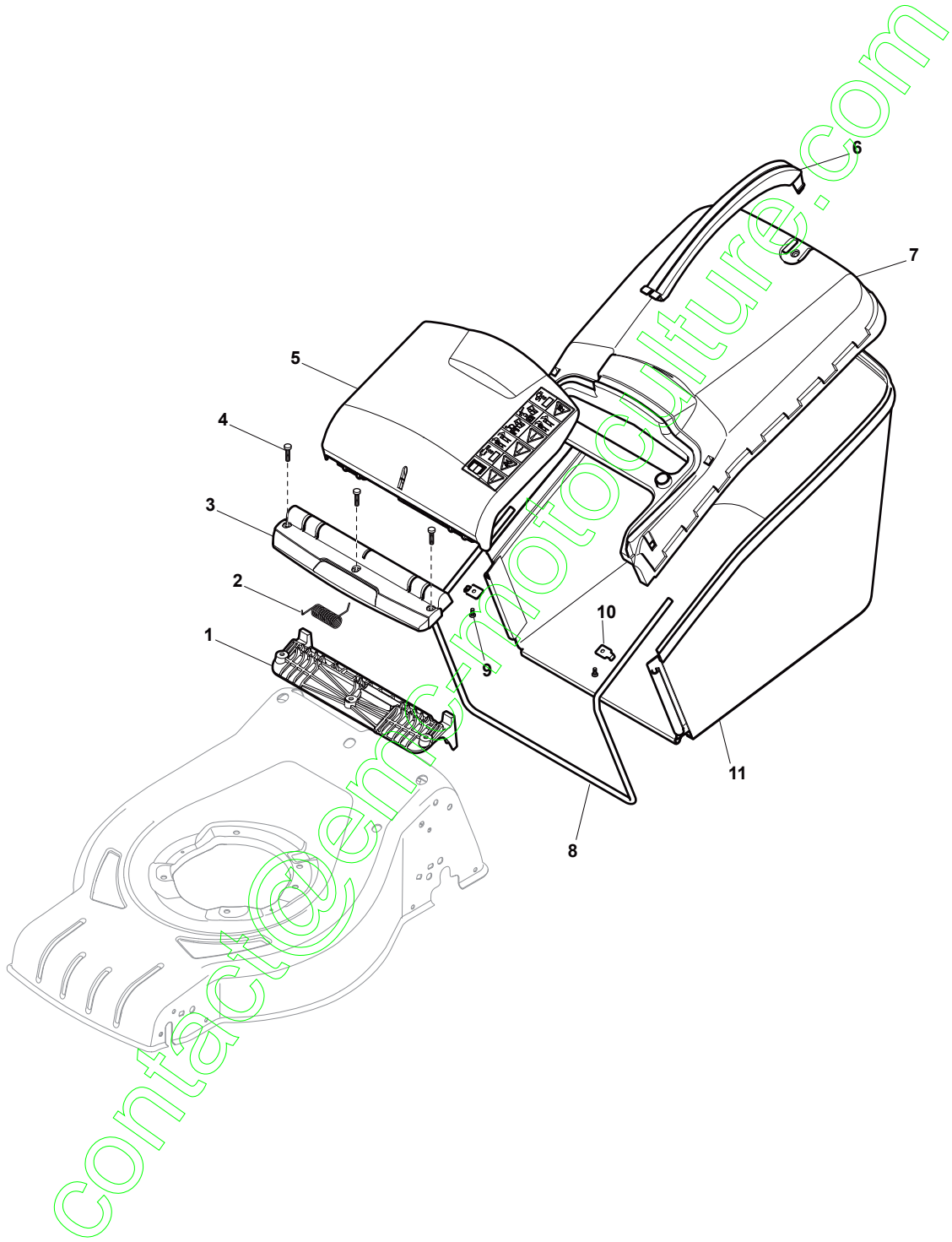
| POS | PART. NO | Q.ty | DESCRIPTION | DESCRIZIONE | DESCRIPTION | BESCHREIBUNG | REMARKS |
|-----|-------------|------|--------------------|------------------|---------------------|---------------------|---------|
| 1 | 322785331/0 | 1 | Support | Supporto | Support | Halter | |
| 2 | 122450464/0 | 1 | Spring | Molla | Ressort | Feder | |
| 3 | 322109554/0 | 1 | Cover, Black | Copertura Nero | Couvre, Noir | Kappe, Schwarz | Black |
| 3 | 322109556/0 | 1 | Cover, Yellow | Capottina Gialla | Capot Jaune | Haube Gelb | Yellow |
| 3 | 322109557/0 | 1 | Cover, Grey | Capottina Grigio | Capot Gris | Haube Grau | Grey |
| 4 | 112728699/0 | 3 | Screw | Vite | Vis | Schraube | |
| 5 | 322600206/1 | 1 | Stone-Guard Black | Parasassi Nero | Pare-Pierres, Noir | Prallblech, Schwarz | Black |
| 5 | 322600214/1 | 1 | Stone-Guard Yellow | Parasassi Giallo | Pare-Pierres, Jaune | Prallblech, Gelb | Yellow |
| 5 | 322600216/1 | 1 | Stone-Guard Grey | Parasassi Grigio | Pare-Pierres, Gris | Prallblech, Grau | Grey |
| 6 | 181006409/0 | 1 | Chassis Box | Telaio Sacco | Châssis Bac | Rahmen Sack | |
| 7 | 181002319/0 | 1 | Box, Fabric | Sacco, Tela | Sac, Toile | Sack, Tuck | |

contact@emc-motoculture.com



Grass-Catcher

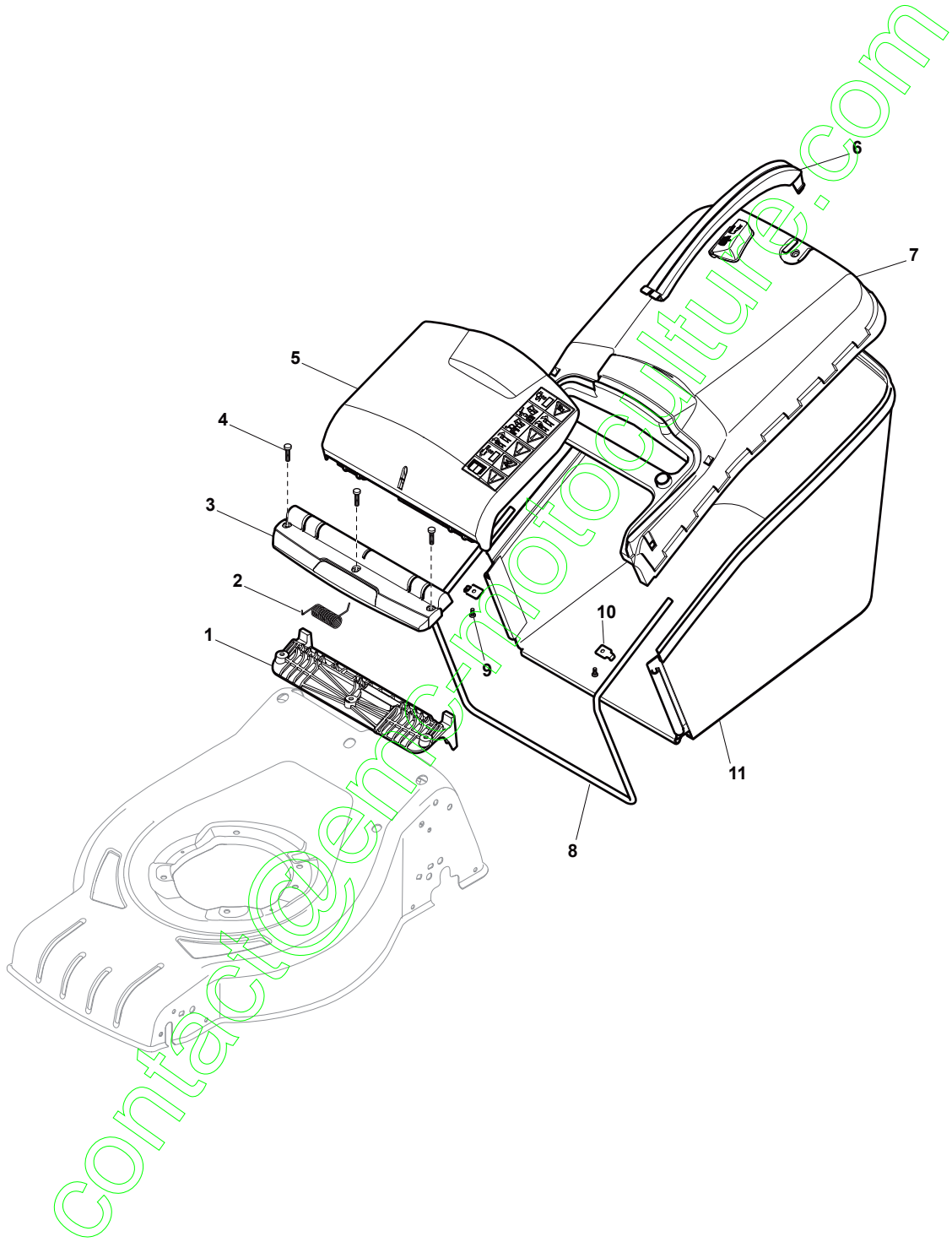
| POS | PART. NO | Q.ty | DESCRIPTION | DESCRIZIONE | DESCRIPTION | BESCHREIBUNG | REMARKS |
|-----|-------------|------|---------------------|-----------------------|------------------------|---------------------|-------------|
| 1 | 322785331/0 | 1 | Support | Supporto | Support | Halter | |
| 2 | 122450464/0 | 1 | Spring | Molla | Ressort | Feder | |
| 3 | 322109554/0 | 1 | Cover, Black | Copertura, Nero | Couvre, Noir | Kappe, Schwarz | Black |
| 3 | 322109556/0 | 1 | Cover, Yellow | Capottina Gialla | Capot Jaune | Haube Gelb | Yellow |
| 3 | 322109557/0 | 1 | Cover, Grey | Capottina Grigio | Capot Jaune | Haube Gelb | Grey |
| 4 | 112728699/0 | 3 | Screw | Vite | Vis | Schraube | |
| 5 | 322600206/1 | 1 | Stone-Guard Black | Parasassi Nero | Pare-Pierres, Noir | Prallblech, Schwarz | Black |
| 5 | 322600214/1 | 1 | Stone-Guard Yellow | Parasassi Giallo | Pare-Pierres, Jaune | Prallblech, Gelb | Yellow |
| 5 | 322600216/1 | 1 | Stone-Guard Grey | Parasassi Grigio | Pare-Pierres, Gris | Prallblech, Grau | Grey |
| 6 | 322393643/0 | 1 | Handle, Black | Maniglia Nera | Poignée Noir | Griff Schwarz | Black |
| 6 | 322393645/0 | 1 | Handle, Grey | Maniglia Grigio | Poignée Gris | Griff, Grau | Grey |
| 6 | 322393716/0 | 1 | Handle, Grey | Maniglia Grigio | Poignée Gris | Griff, Grau | Grey NCSS-N |
| 7 | 322486263/0 | 1 | Grassbox Upper Part | Parte Superiore Sacco | Sac, Partie Superieure | Korb Oberteil | Grey |
| 7 | 322486260/0 | 1 | Grassbox Upper Part | Parte Superiore Sacco | Sac, Partie Superieure | Korb Oberteil | Black |
| 7 | 322486387/0 | 1 | Grassbox Upper Part | Parte Superiore Sacco | Sac, Partie Superieure | Korb Oberteil | Grey NCSS-N |
| 8 | 322486267/0 | 1 | Grassbox Lower Part | Parte Inferiore Sacco | Sac, Partie Inferieure | Korb Unterteil | Grey |
| 8 | 322486261/0 | 1 | Grassbox Lower Part | Parte Inferiore Sacco | Sac, Partie Inferieure | Korb Unterteil | Black |
| 8 | 322486388/0 | 1 | Grassbox Lower Part | Parte Inferiore Sacco | Sac, Partie Inferieure | Korb Unterteil | Grey NCSS-N |



Grass-Catcher

| POS | PART. NO | Q.ty | DESCRIPTION | DESCRIZIONE | DESCRIPTION | BESCHREIBUNG | REMARKS |
|-----|-------------|------|-------------------------------|-------------------------|---------------------------------|------------------------|---------|
| 1 | 322785331/0 | 1 | Support | Supporto | Support | Halter | |
| 2 | 122450464/0 | 1 | Spring | Molla | Ressort | Feder | |
| 3 | 322109554/0 | 1 | Cover, Black | Copertura, Nero | Couvre, Noir | Kappe, Schwarz | Black |
| 3 | 322109556/0 | 1 | Cover, Yellow | Capottina Gialla | Capot Jaune | Haube Gelb | Yellow |
| 3 | 322109557/0 | 1 | Cover, Grey | Capottina Grigio | Capot Gris | Haube Gelb | Grey |
| 4 | 112728699/0 | 3 | Screw | Vite | Vis | Schraube | |
| 5 | 322600206/1 | 1 | Stone-Guard Black | Parasassi Nero | Pare-Pierres, Noir | Prallblech, Schwarz | Black |
| 5 | 322600214/1 | 1 | Stone-Guard Yellow | Parasassi Giallo | Pare-Pierres, Jaune | Prallblech, Gelb | Yellow |
| 5 | 322600216/1 | 1 | Stone-Guard Grey | Parasassi Grigio | Pare-Pierres, Gris | Prallblech, Grau | Grey |
| 6 | 322393646/0 | 1 | Handle, Yellow | Maniglia, Gialla | Poignee, Jaune | Griff, Gelb | Yellow |
| 6 | 322393649/0 | 1 | Handle, Grey | Maniglia Grigio | Poignée Gris | Griff, Grau | Grey |
| 6 | 322393644/0 | 1 | Handle, Black | Maniglia Nera | Poignée Noir | Griff Schwarz | Black |
| 7 | 322486264/0 | 1 | Grassbox Upper Part Yellow | Parte Sup.Sacco Giallo | Sac, Partie Superieure Jaune | Korb Oberteil, Gelb | Yellow |
| 7 | 322486270/0 | 1 | Grassbox Upper Part, Grey | Parte Sup.Sacco, Grigio | Sac, Partie Superieure, Gris | Korb Oberteil, Grau | Grey |
| 7 | 322486262/0 | 1 | Grassbox Upper Part, Black | Parte Sup.Sacco Nero | Sac, Partie Superieure Noir | Korb Oberteil, Schwarz | Black |
| 8 | 122608561/0 | 1 | Stiffening Lower | Rinforzo Inf | Réinforcement Inf | Verstärkung Untere | |
| 9 | 112728692/0 | 2 | Screw | Vite | Vis | Schraube | |
| 10 | 322545159/0 | 2 | Plate | Piastrina | Plaquette | Plättchen | |
| 11 | 181002318/0 | 1 | Box, Fabric | Sacco, Tela | Sac, Toile | Sack, Tuck | |

contact@emc-motocultures.com



Grass-Catcher

| POS | PART. NO | Q.ty | DESCRIPTION | DESCRIZIONE | DESCRIPTION | BESCHREIBUNG | REMARKS |
|-----|--------------|------|------------------------------|-------------------------------|------------------------------|-------------------------|-------------|
| 1 | 322785331/0 | 1 | Support | Supporto | Support | Halter | |
| 2 | 122450464/0 | 1 | Spring | Molla | Ressort | Feder | |
| 3 | 322109554/0 | 1 | Cover, Black | Copertura, Nero | Couvre, Noir | Kappe, Schwarz | Black |
| 3 | 322109556/0 | 1 | Cover, Yellow | Capottina Gialla | Capot Jaune | Haube Gelb | Yellow |
| 4 | 112728699/0 | 3 | Screw | Vite | Vis | Schraube | |
| 5 | 322600206/1 | 1 | Stone-Guard Black | Parasassi Nero | Pare-Pierres | Prallblech | Black |
| 5 | 322600214/1 | 1 | Stone-Guard Yellow | Parasassi Giallo | Pare-Pierres, Jaune | Prallblech, Gelb | Yellow |
| 6 | 322393644/0 | 1 | Handle, Black | Maniglia, Nero | Poignee, Noir | Griff, Schwarz | Black |
| 6 | 322393715/0 | 1 | Handle, Grey | Maniglia Grigio | Poignée Gris | Griff, Grau | Grey NCSS-N |
| 7 | 381486016/0A | 1 | Grass-Box, Upper Part Yellow | Sacco, Parte Superiore Giallo | Sac, Partie Superieure Jaune | Korb, Oberteil Gelb | Yellow |
| 7 | 381486018/0 | 1 | Grass-Box, Upper Part Black | Sacco, Parte Sup. Nero | Sac, Partie Sup. Noir | Korb, Oberteil, Schwarz | Black |
| 8 | 122608561/0 | 1 | Stiffening Lower | Rinforzo Inf | Réinforcement Inf | Verstärkung Untere | |
| 9 | 112728692/0 | 2 | Screw | Vite | Vis | Schraube | |
| 10 | 322545159/0 | 2 | Plate | Piastrina | Plaquette | Plättchen | |
| 11 | 181002318/0 | 1 | Box, Fabric | Sacco, Tela | Sac, Toile | Sack, Tuck | |

contact@emc-motoculture.com