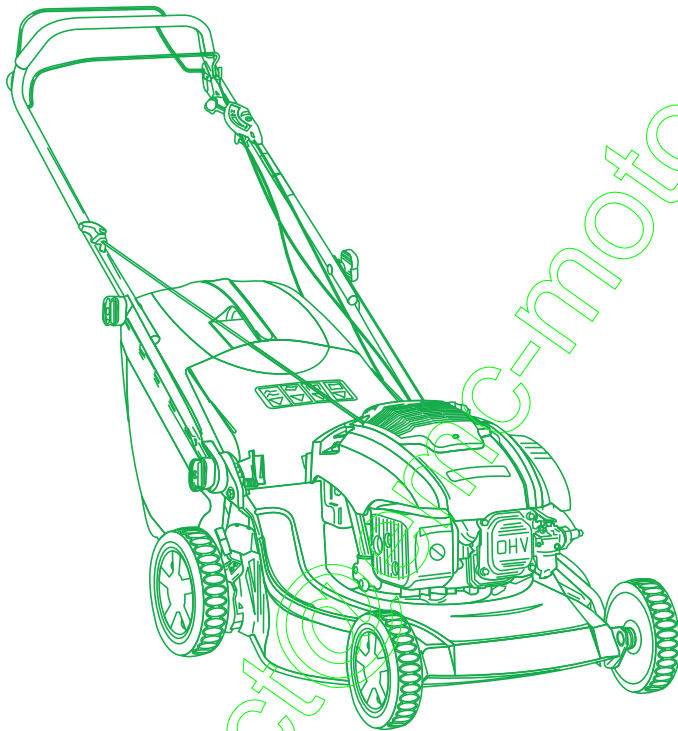


ILLUSTRATED PARTS LIST

CRL-CSL 484 WS CRL-CSL 484 WSQ



- Use GLOBAL GARDEN PRODUCT Genuine Spare Parts specified in the parts list for repair and/or replacement.
- The contents described in the parts list may change due to improvement.
- The drawings of the spare parts are only indicative and might not represent the part in question exactly.
- The indications "right" - "left" - "front" - "rear" refer to the position of the operator when using the machine.
- When placing orders of parts for repair and/or replacement, make sure that the illustrated parts list is the one applying to the machine's year of manufacture, as shown on the identification plate attached to the machine.

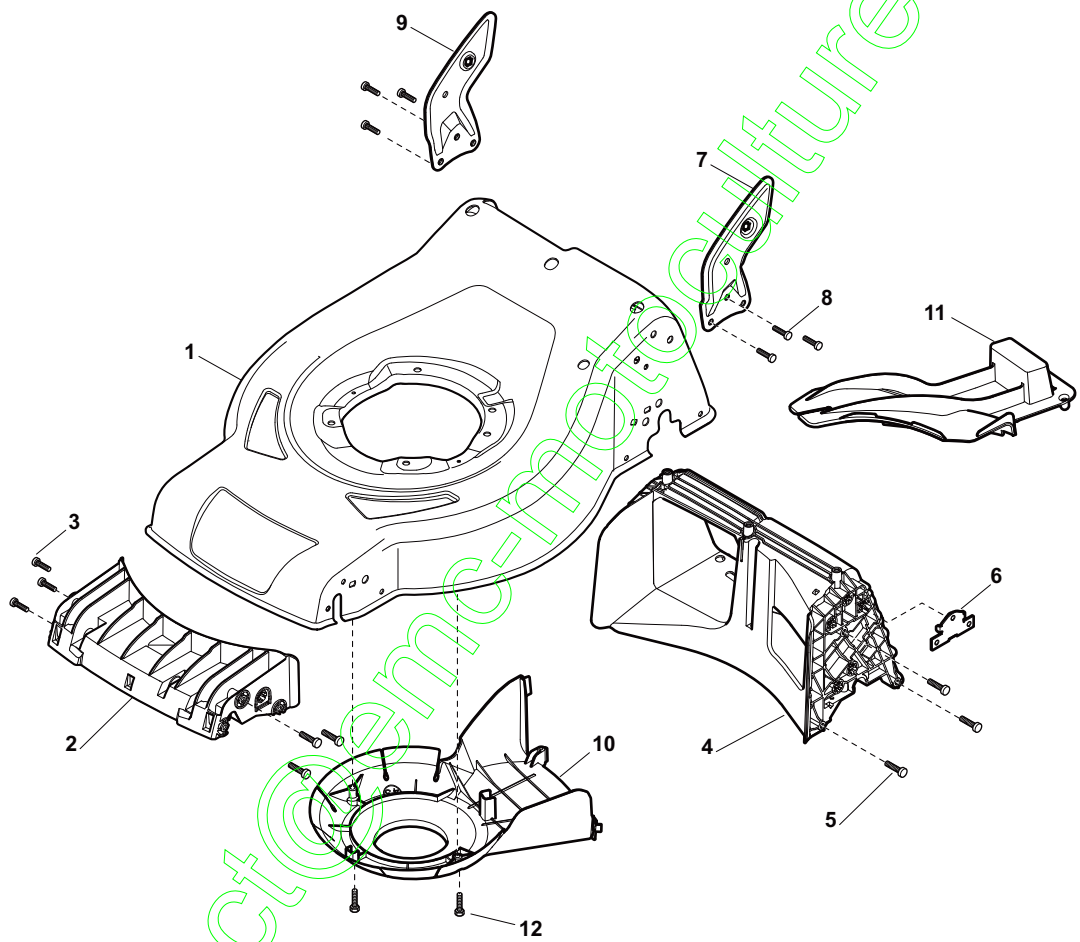
© Copyright 2012 Global Garden Products

All content is subject to copyright by Global Garden Products and may not be reproduced in whole or in part by any means, electronic or otherwise, without prior written approval.

THIS INFORMATION IS NOT INTENDED FOR SALE OR RESALE, AND THIS NOTICE MUST REMAIN ON ALL COPIES.

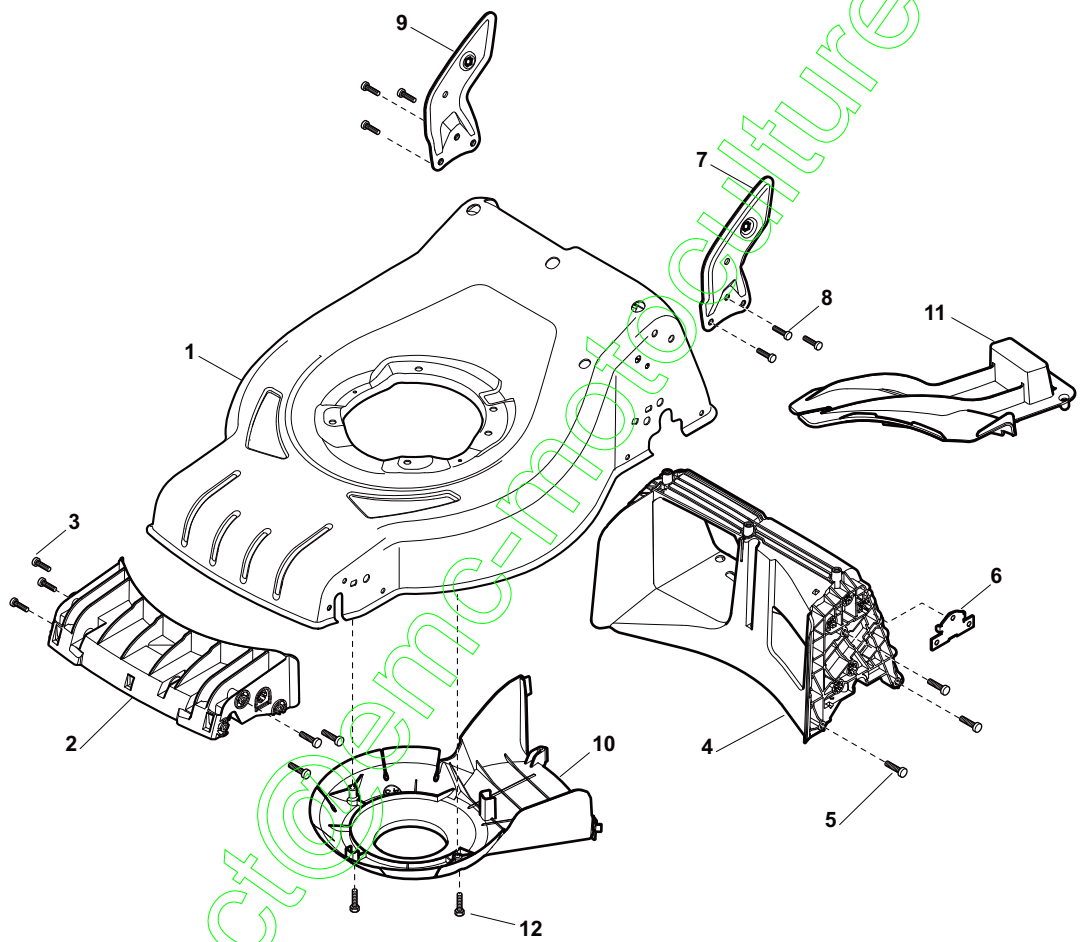


GLOBAL GARDEN PRODUCTS



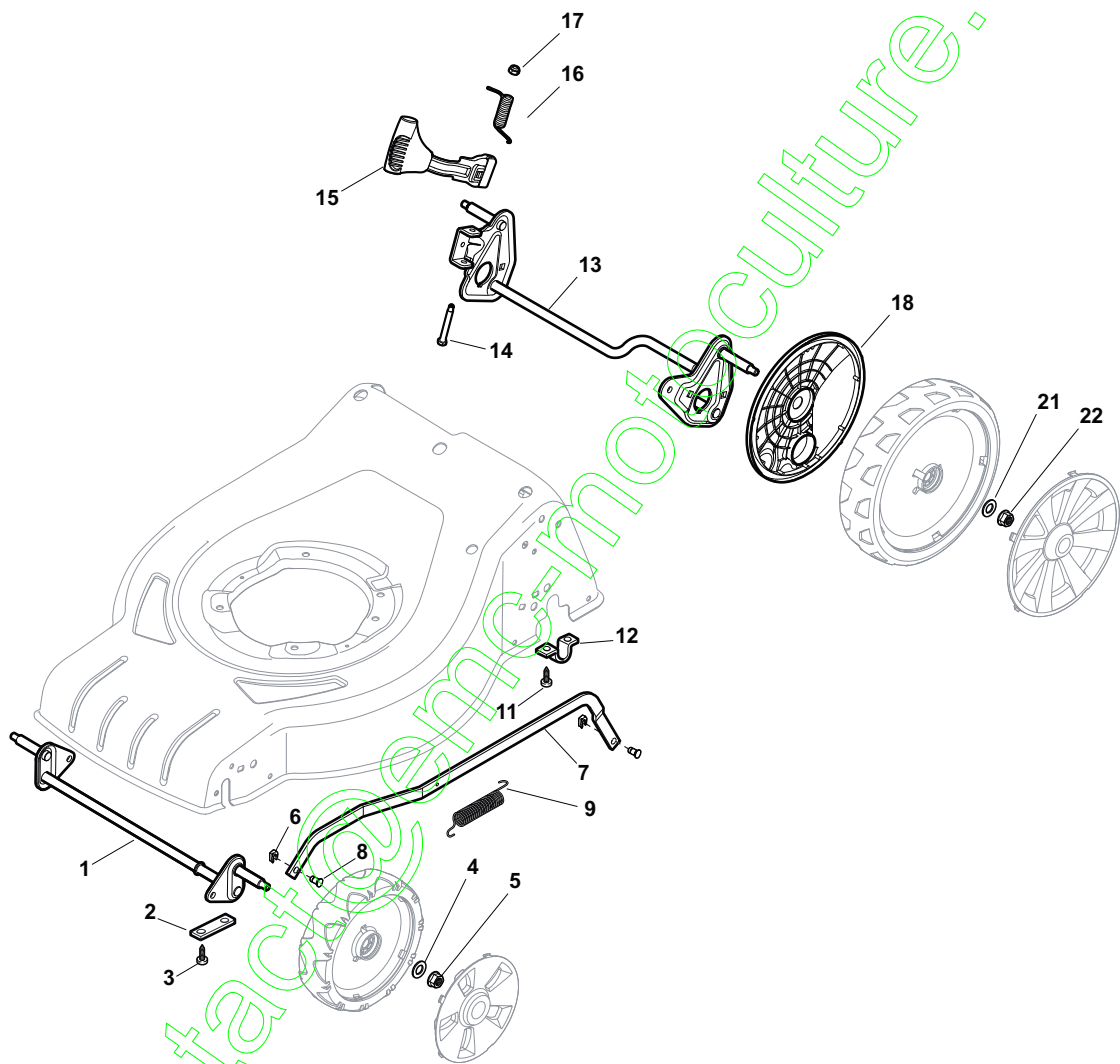
POS	PART. NO	Q.ty	DESCRIPTION	DESCRIZIONE	DESCRIPTION	BESCHREIBUNG	REMARKS
1	381004020/0	1	Deck Red	Chassis Rosso	Châssis Rouge	Gehäuse Rot	
1	381004051/0	1	Deck Black	Chassis Nero	Châssis Noir	Gehäuse Schwarz	
1	381004548/0	1	Deck Red	Chassis Rosso	Châssis Rouge	Gehäuse Rot	Side Discharge
2	322108301/0	1	Front Conveyor Assy	Convogl. Anteriore	Ens. Convoyeur Avant	Hinterleitblechvorder	
3	112728699/0	6	Screw	Vite	Vis	Schraube	
4	322108302/0	1	Rear Conveyor Assy	Convogl. Posteriore	Ens. Convoyeur Post.	Hinterleitblechsatz	
5	112728699/0	6	Screw	Vite	Vis	Schraube	
6	322545213/0	2	Plate	Piastrina	Plaquette	Platte	
7	381005139/0	1	Bracket, L	Staffa Sx	Bride G	Pratze, Linke	
8	112727801/0	6	Screw	Vite	Vis	Schraube	
9	381005137/0	1	Bracket, R	Staffa Dx	Bride D	Pratze, Rechte	
10	322060242/0	1	Protection, Belt	Carter Cinghia	Protection Courroie	Schutz, Riemen	
11	322140239/0	1	Deflector	Deflettore	Deflecteur	Deflektor	
12	12728530/0	2	Screw	Vite	Vis	Schraube	

contact@emc-motocultur.com



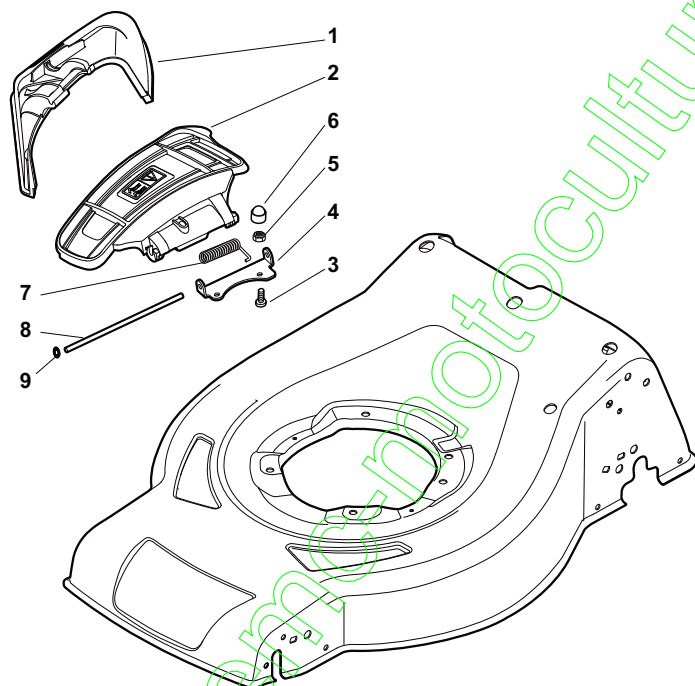
POS	PART. NO	Q.ty	DESCRIPTION	DESCRIZIONE	DESCRIPTION	BESCHREIBUNG	REMARKS
1	381004018/0	1	Deck Red	Chassis Rosso	Châssis Rouge	Gehäuse Rot	
1	381004024/0	1	Deck Black	Chassis Nero	Châssis Noir	Gehäuse Schwarz	
1	381004613/0	1	Deck Red	Chassis Rosso	Châssis Rouge	Gehäuse Rot	Side Discharge
2	322108301/0	1	Front Conveyor Assy	Convogl. Anteriore	Ens. Convoyeur Avant	Hinterleitblechvorder	
3	112728699/0	6	Screw	Vite	Vis	Schraube	
4	322108302/0	1	Rear Conveyor Assy	Convogl. Posteriore	Ens. Convoyeur Post.	Hinterleitblechsatz	
5	112728699/0	6	Screw	Vite	Vis	Schraube	
6	322545213/0	2	Plate	Piastrina	Plaquette	Platte	
7	381005139/0	1	Bracket, L	Staffa Sx	Bride G	Pratze, Linke	
8	112727801/0	6	Screw	Vite	Vis	Schraube	
9	381005137/0	1	Bracket, R	Staffa Dx	Bride D	Pratze, Rechte	
10	322060242/0	1	Protection, Belt	Carter Cinghia	Protection Courroire	Schutz, Riemen	
11	322140239/0	1	Deflector	Deflettore	Deflecteur	Deflektor	
12	12728530/0	2	Screw	Vite	Vis	Schraube	

contact@emc-motocultur.com



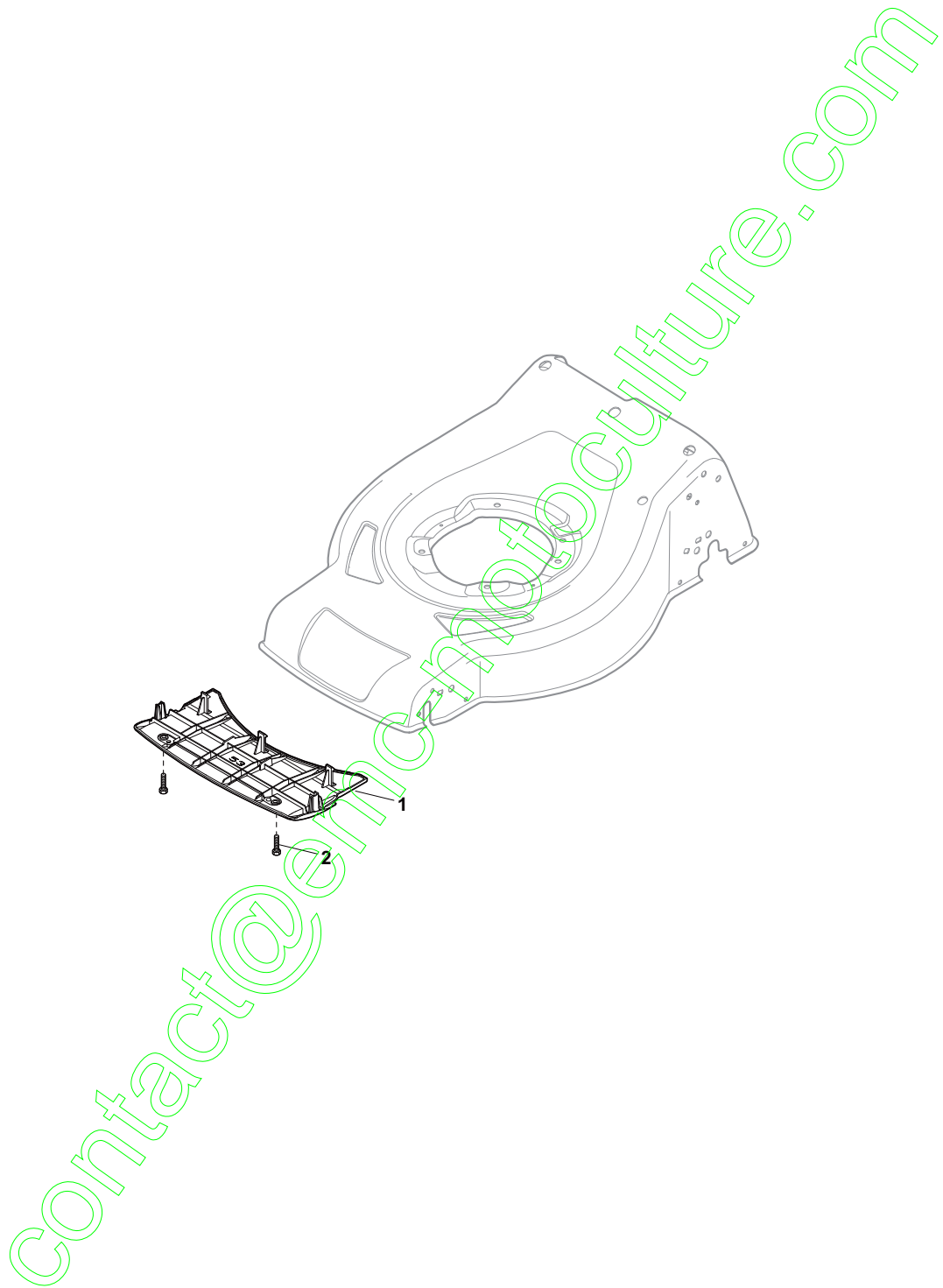
POS	PART. NO	Q.ty	DESCRIPTION	DESCRIZIONE	DESCRIPTION	BESCHREIBUNG	REMARKS
1	381302821/0	1	Axle, Front Wheels	Asse Ruote Anteriori	Axe Roues Avant	Achse, Vorderrad	
2	22545142/0	2	Plate	Piastrina	Plaquette	Platte	
3	112728698/0	4	Screw	Vite	Vis	Schraube	
4	12521350/0	2	Washer	Rosetta	Rondelle	Scheibe	
5	12155000/0	2	Nut	Dado	Ecrou	Mutter	
6	112436051/0	2	Plate	Piastrina	Plaquette	Plättchen	
7	322869673/0	1	Rod, Height Adjustment	Asta Comando Regol. Altezza	Tige Commande Reglage Hauteur	Stange, Höherverstellung	GGP-Honda-B&S
7	322869683/0	1	Rod, Height Adjustment	Asta Comando Regol. Altezza	Tige Commande Reglage Hauteur	Stange, Höherverstellung	B&S E Series
8	122519820/0	2	Pin	Perno	Pivot	Bolzen	
9	122446193/0	1	Spring	Molla	Ressort	Feder	
11	112728698/0	4	Screw	Vite	Vis	Schraube	
12	22545152/0	2	Plate	Piastrina	Plaquette	Platte	
13	381302817/0	1	Axle, Rear Wheels	Asse Ruote Posteriori	Axe Roues Arriere	Achse, Hinterrad	
14	122534131/0	1	Pin	Perno	Pivot	Bolzen	
15	381003357/0	1	Lever, Height Adjustment	Leva Regolazione Altezza	Levier, Reglage Hauteur	Hebel, Höherverstellung	
16	122446192/0	1	Spring	Molla	Ressort	Feder	
17	12154510/0	1	Nut	Dado	Ecrou	Mutter	
18	322600205/0	2	Wheel Protection	Prot. Ruote	Protection Roue	Schütz, Rechtes	
21	12521350/0	2	Washer	Rosetta	Rondelle	Scheibe	
22	12155000/0	2	Nut	Dado	Ecrou	Mutter	

contact@emotoculture.com



POS	PART. NO	Q.ty	DESCRIPTION	DESCRIZIONE	DESCRIPTION	BESCHREIBUNG	REMARKS
1	322108309/0	1	Stone-Guard	Parasassi	Pare-Pierres	Prallblech	
2	322600195/0	1	Ejection Guard	Protezione Uscita	Protection Sortie	Auswurfschutz	
3	112727803/0	2	Screw	Vite	Vis	Schraube	
4	322806639/0	1	Fulcrum Pin	Fulcro	Point D'Appui	Gelenkpunkt	
5	12154510/0	2	Nut	Dado	Ecrou	Mutter	
6	18203853/0	2	Protection	Cappuccio	Capuchon	Stecker	
7	122450456/0	1	Spring	Molla	Ressort	Feder	
8	122517869/0	1	Pin	Perno	Pivot	Bolzen	
9	12604896/0	2	Crown Fastener	Fissatore A Corona	Fixateur A Couronne	Kronescheibe	

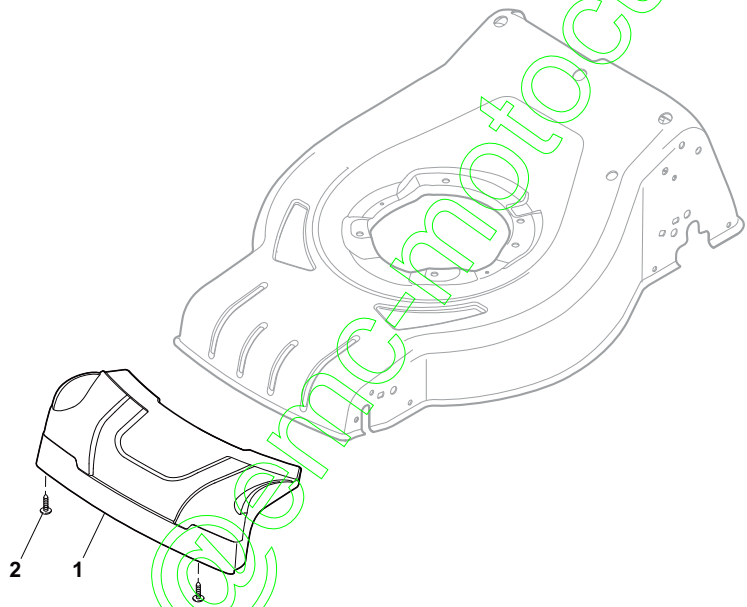
contact@enc-motoculture.com



POS	PART. NO	Q.ty	DESCRIPTION	DESCRIZIONE	DESCRIPTION	BESCHREIBUNG	REMARKS
1	322500106/0	1	Front Combi	Pettine Anteriore	Peigne Avant	Vorne Comb	
2	112728698/0	2	Screw	Vite	Vis	Schraube	

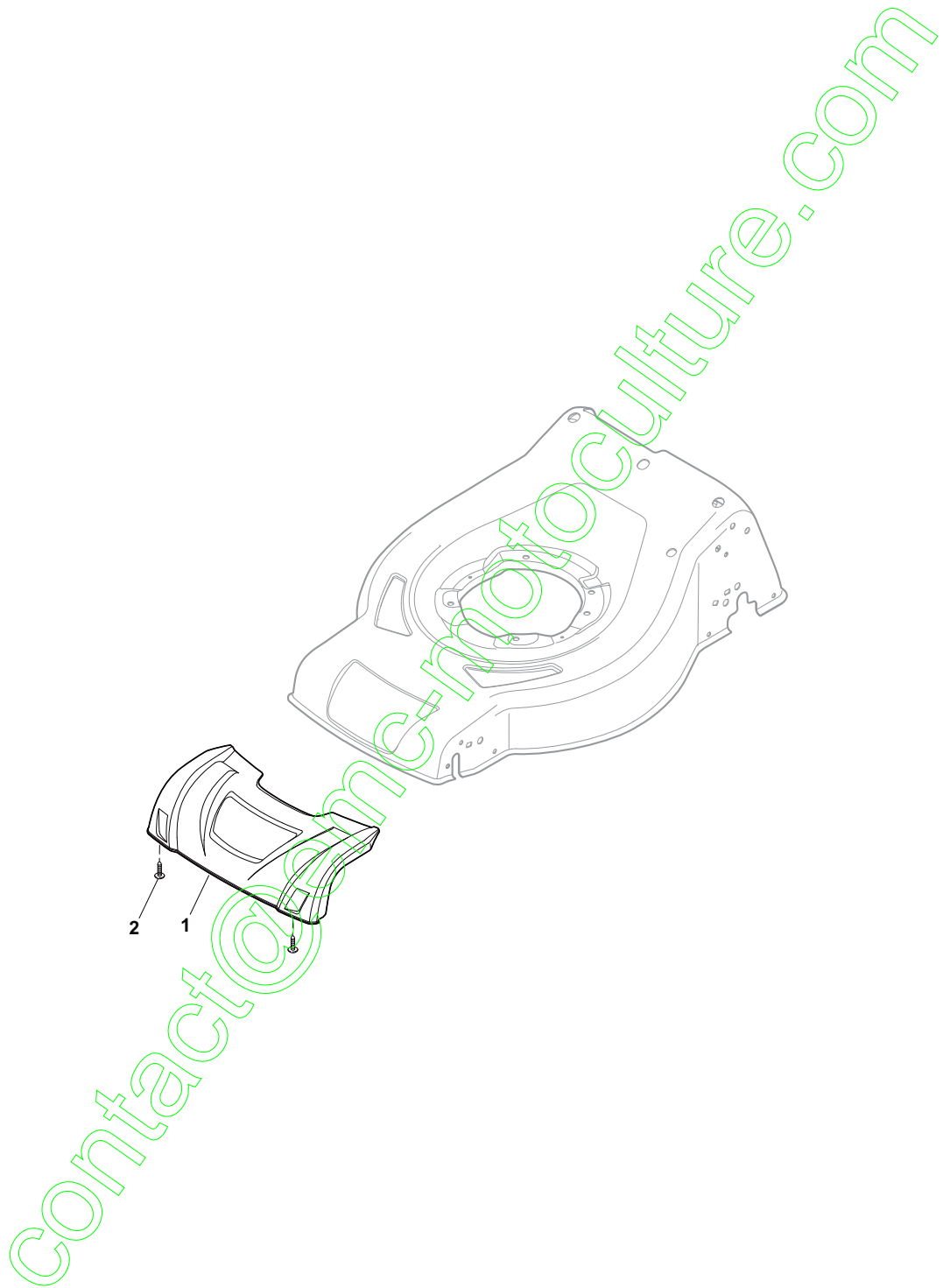
contact@enc-motoculture.com

contact@anc-motoculture.com



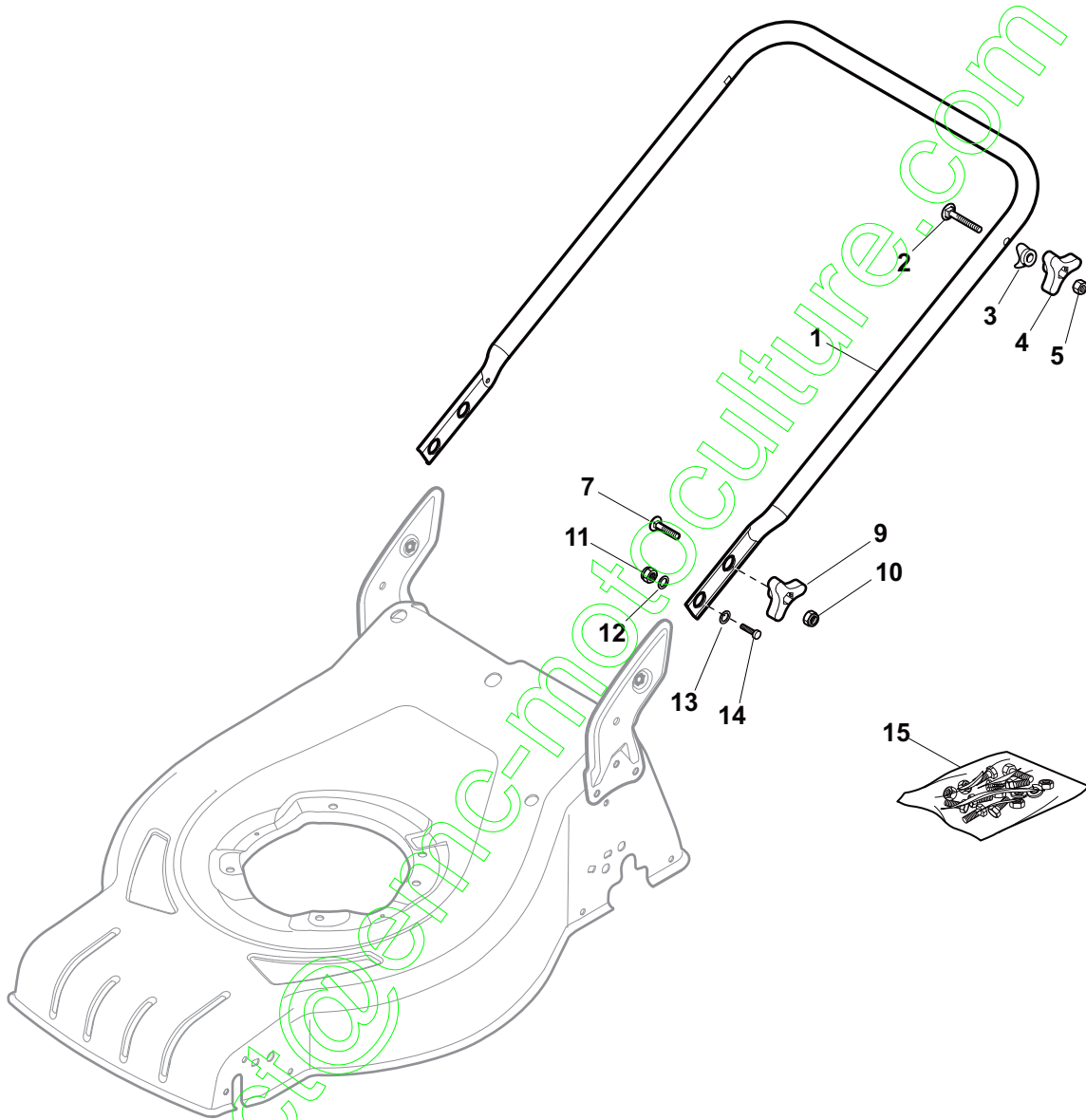
POS	PART. NO	Q.ty	DESCRIPTION	DESCRIZIONE	DESCRIPTION	BESCHREIBUNG	REMARKS
1	322226170/0	1	Mask, Black	Mascherina, Nero	Mesque, Noire	Maske, Schwarz	
2	112728698/0	2	Screw	Vite	Vis	Schraube	

contact@enc-motoculture.com

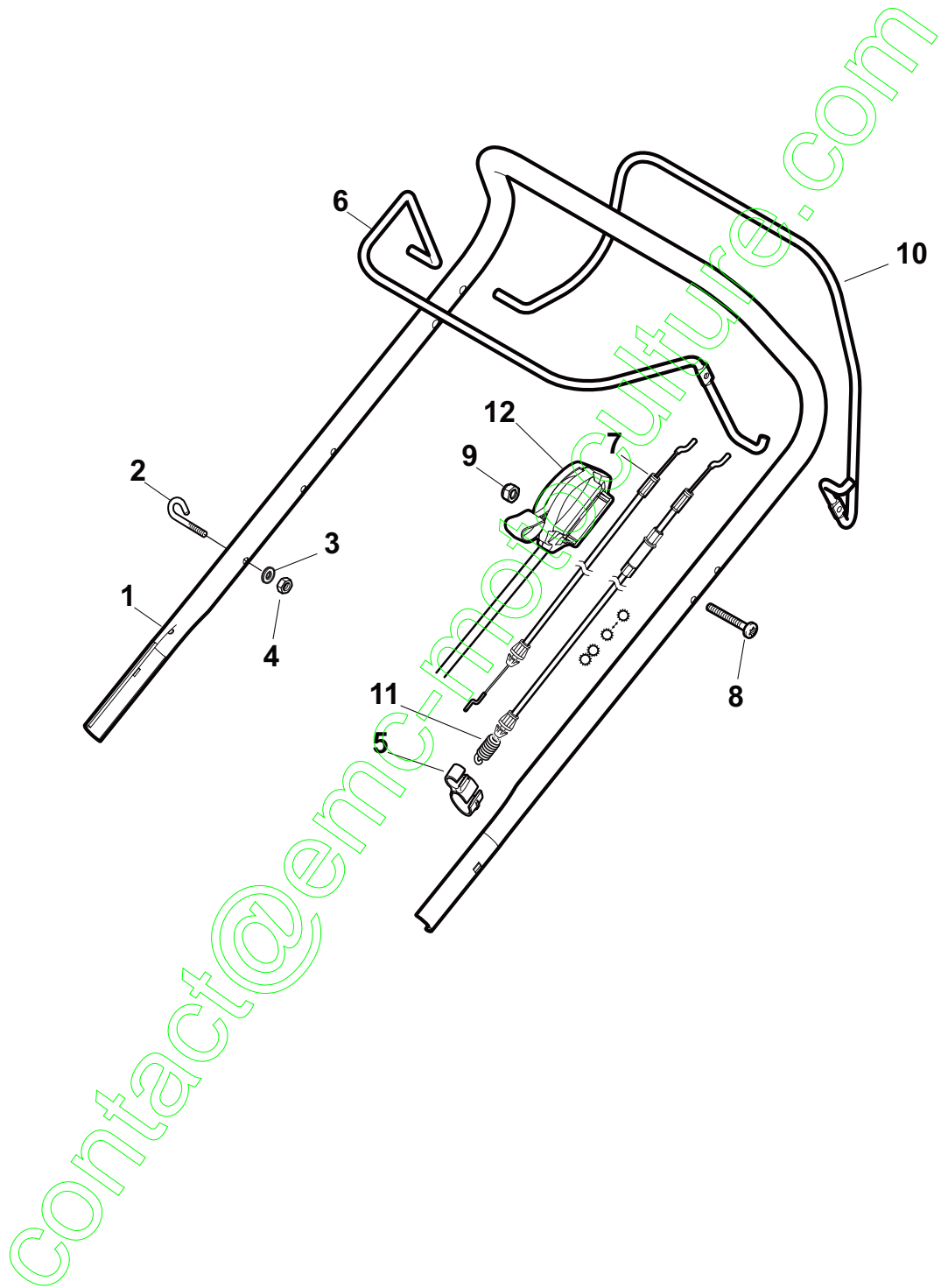


POS	PART. NO	Q.ty	DESCRIPTION	DESCRIZIONE	DESCRIPTION	BESCHREIBUNG	REMARKS
1	322226168/0	1	Mask, Black	Mascherina, Nero	Mesque, Noire	Maske, Schwarz	
2	112728698/0	2	Screw	Vite	Vis	Schraube	

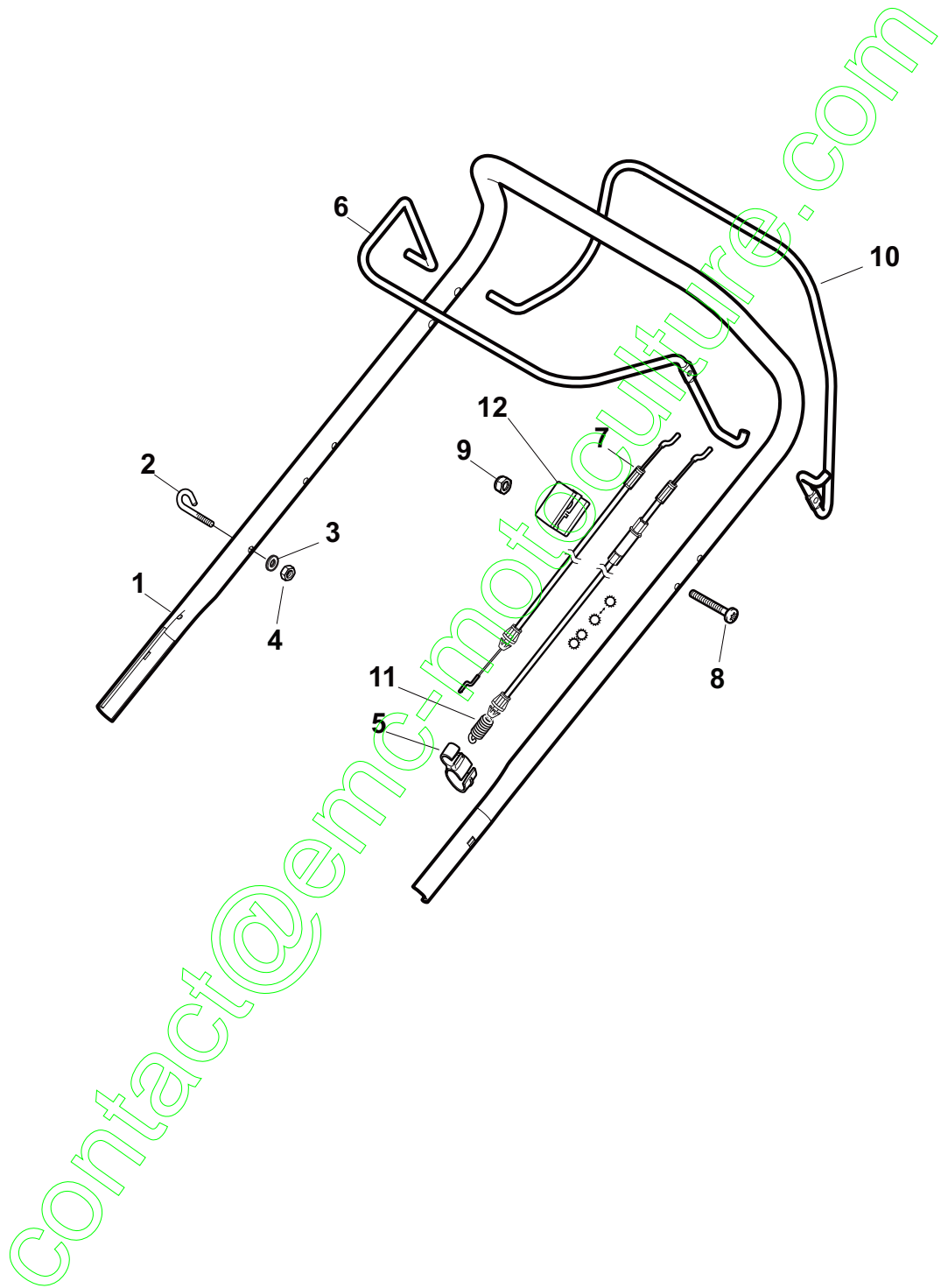
contact@enc-motoculture.com



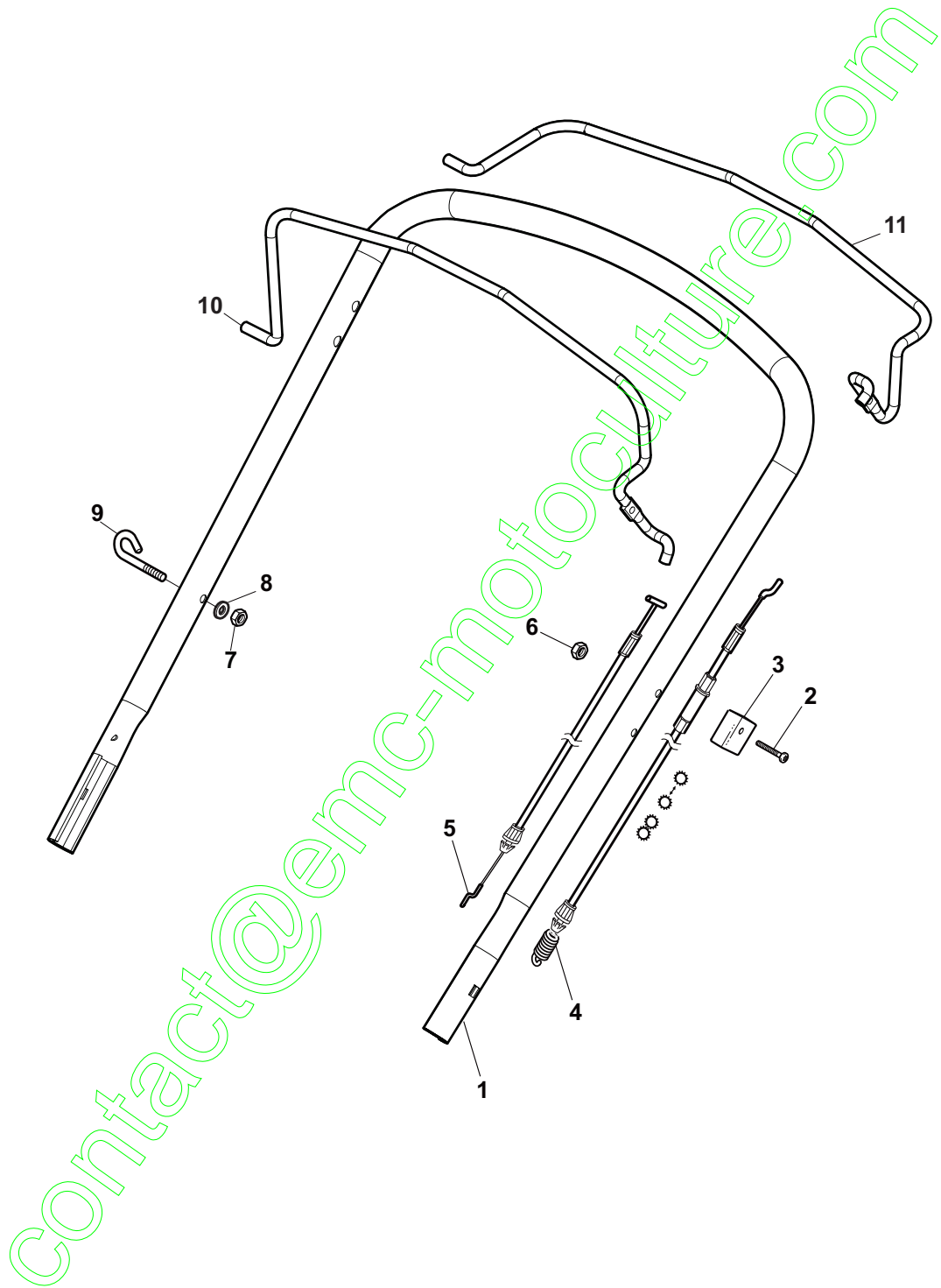
POS	PART. NO	Q.ty	DESCRIPTION	DESCRIZIONE	DESCRIPTION	BESCHREIBUNG	REMARKS
1	381006737/0	1	Handle, Lower Part	Manico, Parte Inf	Mancheron, Partie Inferieure	Holm, Unterteil	
2	112819110/0	2	Screw	Vite	Vis	Schraube	
3	122671651/0	2	Washer	Rosetta	Rondelle	Scheibe	
4	22399900/0	2	Knob	Manopolina	Poignée	Griff	Black
4	322399840/0	2	Knob	Manopolina	Poignée	Griff	Yellow
4	322399846/0	2	Knob	Manopolina	Poignée	Griff	Red
5	12293200/0	2	Nut	Dado	Ecrou	Mutter	
7	12818900/0	2	Screw	Vite	Vis	Schraube	
9	22399900/0	2	Knob	Manopolina	Poignée	Griff	Black
9	322399840/0	2	Knob	Manopolina	Poignée	Griff	Yellow
9	322399846/0	2	Knob	Manopolina	Poignée	Griff	Red
10	12293200/0	2	Nut	Dado	Ecrou	Mutter	
11	12155000/0	2	Nut	Dado	Ecrou	Mutter	
12	12521350/0	2	Washer	Rosetta	Rondelle	Scheibe	
13	12369500/0	2	Elastic Washer	Rosetta Elastica	Rondelle Elastique	Elastische Scheibe	
14	12760605/0	2	Screw	Vite	Vis	Schraube	
15	381008691/0	1	Outfit, Screws	Dotazione Viteria	Dotation Visserie	Satz, Schrauben	Black
15	381008692/0	1	Outfit, Screws	Dotazione Viteria	Dotation Visserie	Satz, Schrauben	Yellow
15	381008695/0	1	Outfit, Screws	Dotazione Viteria	Dotation Visserie	Satz, Schrauben	Red



POS	PART. NO	Q.ty	DESCRIPTION	DESCRIZIONE	DESCRIPTION	BESCHREIBUNG	REMARKS
1	381006739/0	1	Handle, Upper Part	Manico, Parte Sup	Mancheron, Partie Superieure	Holm, Oberteil	
1	381006745/0	1	Handle, Upper Part with sponge handgrip	Manico, Parte Sup. con impugnatura in spugna	Mancheron, Partie Superieure avec éponge poignée	Holm, Oberteil Handgriff Schwamm	
2	22430313/0	1	Guide Spring	Molla Guida	Ressort De Guide	Feder Führer	
3	12521330/0	1	Washer	Rosetta	Rondelle	Scheibe	
4	12154510/0	1	Nut	Dado	Ecrou	Mutter	
5	118390020/0	1	Fairlead	Fermacavo	Fixation Cable	Kabelbefestigung	
6	181003363/1	1	Lever, Engine Brake Black	Leva Freno Motore Nero	Levier Frein Moteur Noire	Hebel, Motorbremse, Schwarz	
6	381003365/0	1	Lever, Engine Brake Yellow	Leva Freno Motore Giallo	Levier Frein Moteur Jaune	Hebel, Motorbremse, Gelb	
6	381003376/0	1	Lever, Engine Brake Red	Leva Freno Motore Rosso	Levier Frein Moteur Rouge	Hebel, Motorbremse, Rot	
7	181030054/0	1	Cable, Thread Engine Brake	Cavo Freno Motore	Cable Frein Moteur	Kabel, Motorbremse	GGP150cc
7	181030056/0	1	Cable, Thread Engine Brake	Cavo Freno Motore	Cable Frein Moteur	Kabel, Motorbremse	B&S-GGP
7	181030056/0	1	Cable, Thread Engine Brake	Cavo Freno Motore	Cable Frein Moteur	Kabel, Motorbremse	B&S E Series
7	181030069/0	1	Cable, Thread Engine Brake	Cavo Freno Motore	Cable Frein Moteur	Kabel, Motorbremse	Honda
8	12727783/0	1	Screw	Vite	Vis	Schraube	
9	12154510/0	1	Nut	Dado	Ecrou	Mutter	
10	181003364/0	1	Lever, Driving Black	Leva Trazione Nero	Levier Traction Noire	Hebel, Antrieb Schwarz	
10	381003366/0	1	Lever, Driving Yellow	Leva Trazione Giallo	Levier Traction Jaune	Hebel, Antrieb Gelb	
10	381003377/0	1	Lever, Driving Red	Leva Trazione Rosso	Levier Traction Rouge	Hebel, Antrieb Rot	
11	381030051/0	1	Cable, Rear Drive	Cavo Comando Trazione	Câble, Commande Traction	Kabel, Antrieb	
12	181005511/0	1	Throttle Cable	Cavo Acceleratore	Cable, Accelérateur	Gashebel Kabel	B&S
12	181005517/0	1	Throttle Cable	Cavo Acceleratore	Cable, Accelérateur	Gashebel Kabel	GGP
12	181005504/1	1	Throttle Cable	Cavo Acceleratore	Cable, Accelérateur	Gashebel Kabel	GGP150cc
12	181005517/0	1	Throttle Cable	Cavo Acceleratore	Cable, Accelérateur	Gashebel Kabel	Honda
12	181005532/0	1	Throttle Cable	Cavo Acceleratore	Cable, Accelérateur	Gashebel Kabel	GGP100cc
12	181005533/0	1	Throttle Cable	Cavo Acceleratore	Cable, Accelérateur	Gashebel Kabel	B&S E Series

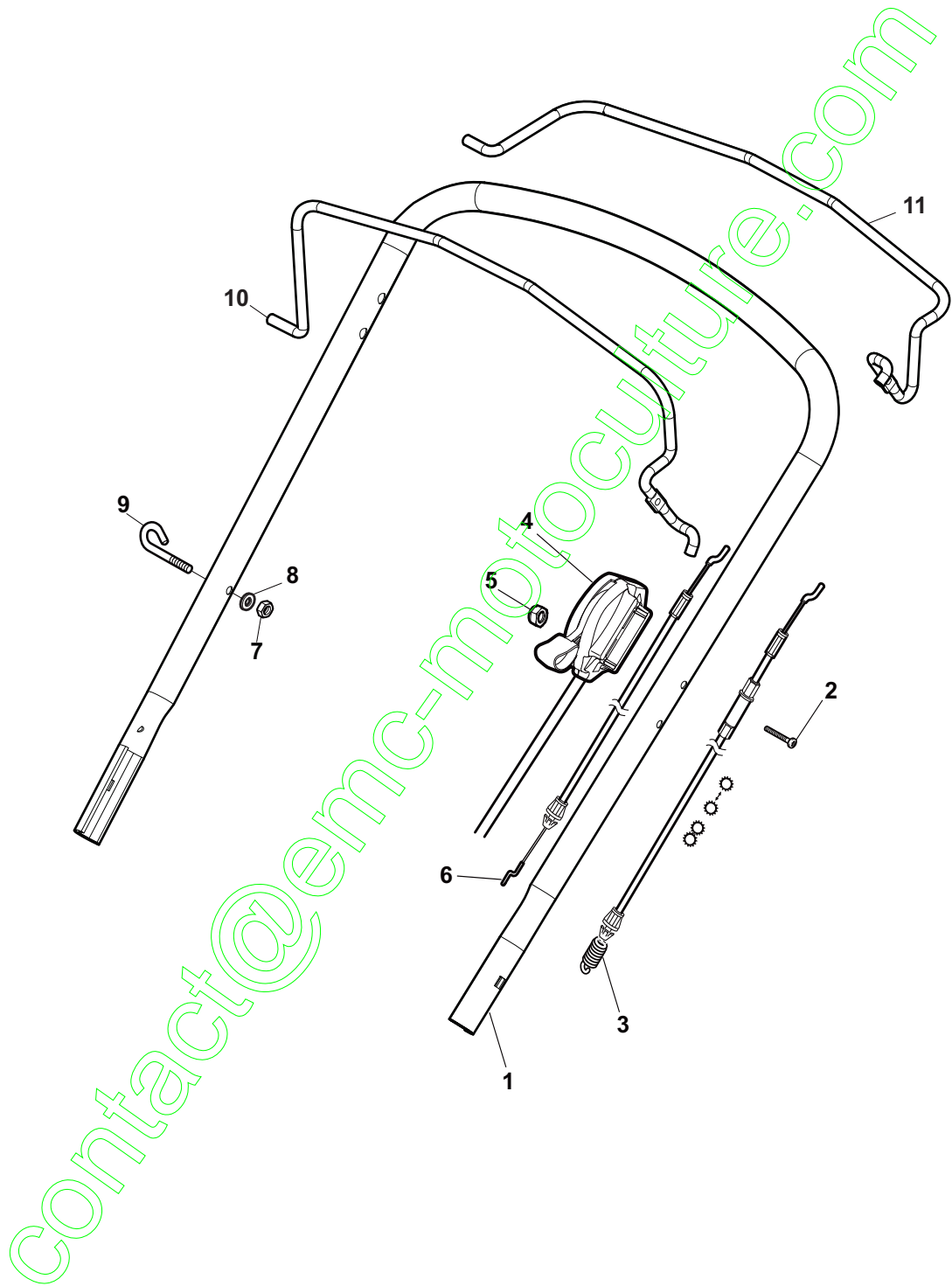


POS	PART. NO	Q.ty	DESCRIPTION	DESCRIZIONE	DESCRIPTION	BESCHREIBUNG	REMARKS
1	381006739/0	1	Handle, Upper Part	Manico, Parte Sup	Mancheron, Partie Superieure	Holm, Oberteil	
1	381006745/0	1	Handle, Upper Part with sponge handgrip	Manico, Parte Sup. con impugnatura in spugna	Mancheron, Partie Superieure avec éponge poignée	Holm, Oberteil Handgriff Schwamm	
2	22430313/0	1	Guide Spring	Molla Guida	Ressort De Guide	Feder Führer	
3	12521330/0	1	Washer	Rosetta	Rondelle	Scheibe	
4	12154510/0	1	Nut	Dado	Ecrou	Mutter	
5	118390020/0	1	Fairlead	Fermacavo	Fixation Cable	Kabelbefestigung	
6	181003363/1	1	Lever, Engine Brake Black	Leva Freno Motore Nero	Levier Frein Moteur Noire	Hebel, Motorbremse, Schwarz	
6	381003365/0	1	Lever, Engine Brake Yellow	Leva Freno Motore Giallo	Levier Frein Moteur Jaune	Hebel, Motorbremse, Gelb	
6	381003376/0	1	Lever, Engine Brake Red	Leva Freno Motore Rosso	Levier Frein Moteur Rouge	Hebel, Motorbremse, Rot	
7	181030054/0	1	Cable, Thread Engine Brake	Cavo Freno Motore	Cable Frein Moteur	Kabel, Motorbremse	GGP150cc
7	181030056/0	1	Cable, Thread Engine Brake	Cavo Freno Motore	Cable Frein Moteur	Kabel, Motorbremse	B&S-GGP
7	181030056/0	1	Cable, Thread Engine Brake	Cavo Freno Motore	Cable Frein Moteur	Kabel, Motorbremse	B&S E Series
7	181030069/0	1	Cable, Thread Engine Brake	Cavo Freno Motore	Cable Frein Moteur	Kabel, Motorbremse	Honda
8	12727783/0	1	Screw	Vite	Vis	Schraube	
9	12154510/0	1	Nut	Dado	Ecrou	Mutter	
10	181003364/0	1	Lever, Driving Black	Leva Trazione Nero	Levier Traction Noire	Hebel, Antrieb Schwarz	
10	381003366/0	1	Lever, Driving Yellow	Leva Trazione Giallo	Levier Traction Jaune	Hebel, Antrieb Gelb	
10	381003377/0	1	Lever, Driving Red	Leva Trazione Rosso	Levier Traction Rouge	Hebel, Antrieb Rot	
11	381030051/0	1	Cable, Rear Drive	Cavo Comando Trazione	Câble, Commande Traction	Kabel, Antrieb	
12	22551640/0	1	Plate	Piastrina	Plaquette	Plättchen	

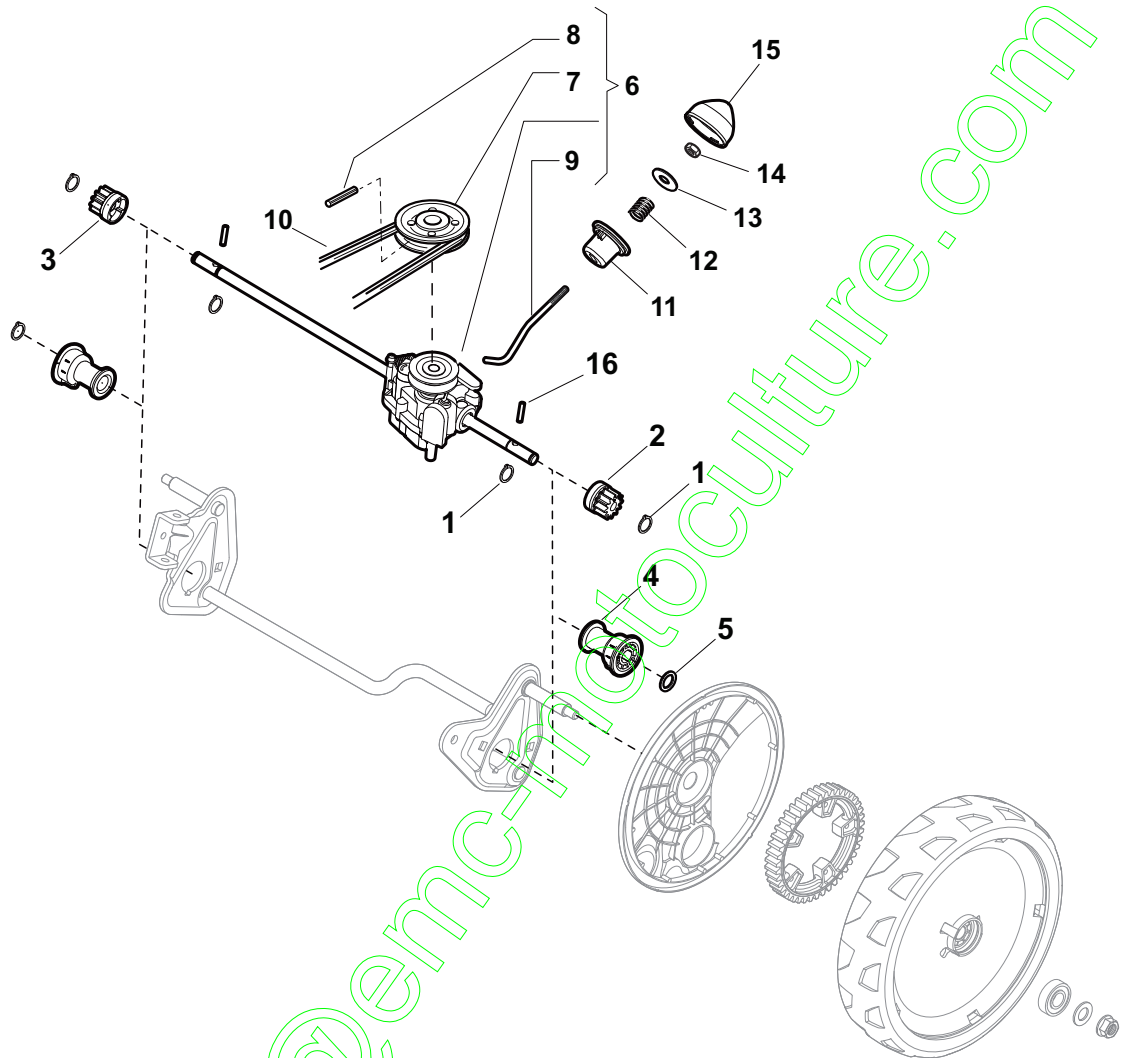


POS	PART. NO	Q.ty	DESCRIPTION	DESCRIZIONE	DESCRIPTION	BESCHREIBUNG	REMARKS
1	381006740/0	1	Handle, Upper Part	Manico, Parte Sup	Mancheron, Partie Superieure	Holm, Oberteil	
2	112727788/0	1	Screw	Vite	Vis	Schraube	
3	322551640/0	1	Plate	Piastrina	Plaquette	Plättchen	
4	381030085/0	1	Cable, Rear Drive	Cavo Comando Trazione	Câble, Commande Traction	Kabel, Antrieb	
5	181030053/0	1	Cable, Thread Engine Brake	Cavo Freno Motore	Cable Frein Moteur	Kabel, Motorbremse	GGP150cc
5	181030084/0	1	Cable, Thread Engine Brake	Cavo Freno Motore	Cable Frein Moteur	Kabel, Motorbremse	B&S-GGP-Honda
6	112154510/0	1	Nut	Dado	Ecrou	Mutter	
7	112154510/0	1	Nut	Dado	Ecrou	Mutter	
8	112521330/0	1	Washer	Rosetta	Rondelle	Scheibe	
9	122430313/0	1	Guide Spring	Molla Guida	Ressort De Guide	Feder Führer	
10	181003369/0	1	Lever, Engine Brake	Leva Freno Motore	Levier Frein Moteur	Hebel, Motorbremse	
11	181003371/0	1	Lever, Driving	Leva Trazione	Levier Traction	Hebel, Antrieb	

contact@emc-motocultur.com

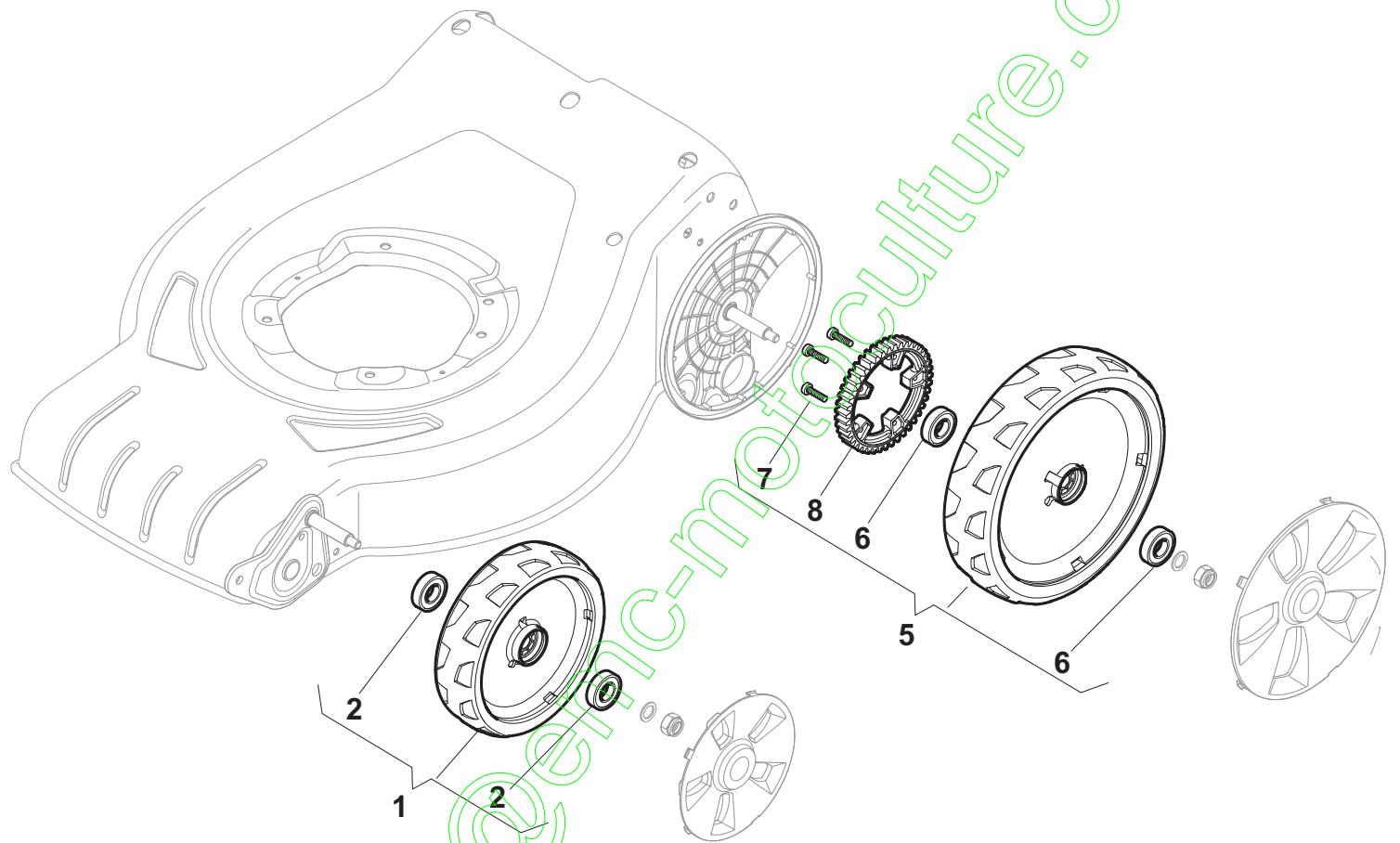


POS	PART. NO	Q.ty	DESCRIPTION	DESCRIZIONE	DESCRIPTION	BESCHREIBUNG	REMARKS
1	381006740/0	1	Handle, Upper Part	Manico, Parte Sup	Mancheron, Partie Superieure	Holm, Oberteil	
2	112727788/0	1	Screw	Vite	Vis	Schraube	
3	381030085/0	1	Cable, Rear Drive	Cavo Comando Trazione	Câble, Commande Traction	Kabel, Antrieb	
4	181005521/0	1	Throttle Cable	Cavo Acceleratore	Cable, Accelérateur	Gashebel Kabel	GGP150cc
4	181005522/0	1	Throttle Cable	Cavo Acceleratore	Cable, Accelérateur	Gashebel Kabel	B&S
4	181005534/0	1	Throttle Cable	Cavo Acceleratore	Cable, Accelérateur	Gashebel Kabel	GGP100cc
4	181005535/0	1	Throttle Cable	Cavo Acceleratore	Cable, Accelérateur	Gashebel Kabel	GGP-Honda
4	181005536/0	1	Throttle Cable	Cavo Acceleratore	Cable, Accelérateur	Gashebel Kabel	B&S E Series
5	112154510/0	1	Nut	Dado	Ecrou	Mutter	
6	181030053/0	1	Cable, Thread Engine Brake	Cavo Freno Motore	Cable Frein Moteur	Kabel, Motorbremse	GGP150cc
6	181030084/0	1	Cable, Thread Engine Brake	Cavo Freno Motore	Cable Frein Moteur	Kabel, Motorbremse	B&S-GGP-Honda
7	112154510/0	1	Nut	Dado	Ecrou	Mutter	
8	112521330/0	1	Washer	Rosetta	Rondelle	Scheibe	
9	122430313/0	1	Guide Spring	Molla Guida	Ressort De Guide	Feder Führer	
10	181003369/0	1	Lever, Engine Brake	Leva Freno Motore	Levier Frein Moteur	Hebel, Motorbremse	
11	181003371/0	1	Lever, Driving	Leva Trazione	Levier Traction	Hebel, Antrieb	



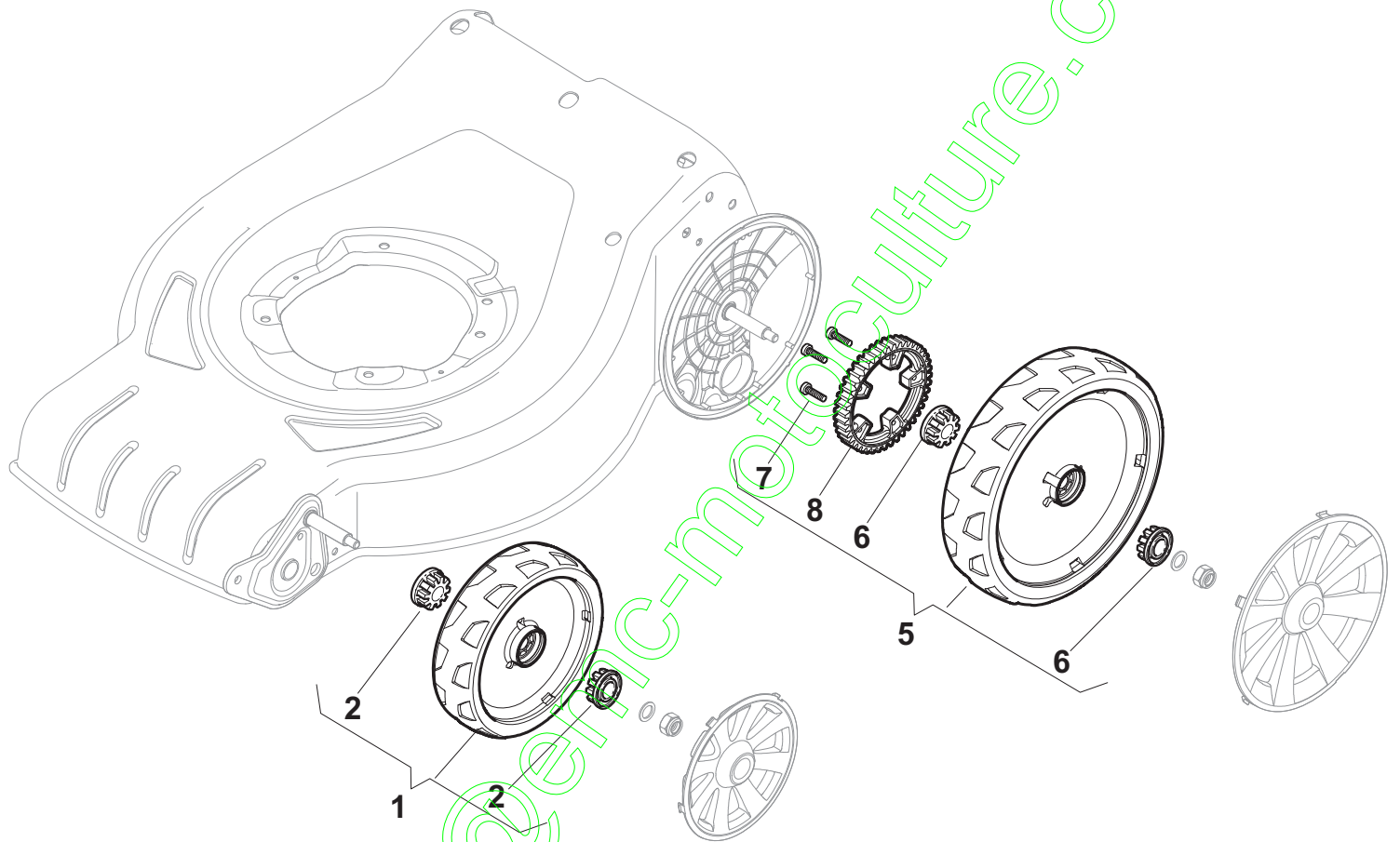
POS	PART. NO	Q.ty	DESCRIPTION	DESCRIZIONE	DESCRIPTION	BESCHREIBUNG	REMARKS
1	12608600/0	4	Seeger	Seeger	Seeger	Seeger	
2	22570120/1	1	Pinion L	Pignone Sx	Pignon G	Ritzel Linkes	
3	22570110/1	1	Pinion R	Pignone Dx	Pignon D	Ritzel Rechtes	
4	322042066/0	2	Bush	Bussola	Douille	Buchse	
5	112521371/0	2	Washer	Rosetta	Rondelle	Scheibe	
6	81003092/0	1	Gear Box	Gruppo Trazione	Groupe Traction	Antrieb	
7	22601904/0	1	Pulley	Puleggia	Poulie	Riemenscheibe	
8	12645700/0	1	Pin	Spina	Goupille	Stift	
9	22033283/0	1	Adjustment Rod	Asta Regolazione	Tige Reglage	Verstellungstange	
10	35063800/0	1	Belt	Cinghia	Courroie	Riemen	
11	22041957/1	1	Bush	Bussola	Douille	Buchse	
12	22450063/0	1	Spring	Molla	Ressort	Feder	
13	22680009/0	1	Washer	Rosetta	Rondelle	Scheibe	
14	12154510/0	1	Nut	Dado	Ecrou	Mutter	
15	22110230/0	1	Cap	Tappo	Bouchon	Gummistopfen	
16	22753000/0	2	Pin	Spina	Goupille	Stift	

contact@emc-motocultur.com



POS	PART. NO	Q.ty	DESCRIPTION	DESCRIZIONE	DESCRIPTION	BESCHREIBUNG	REMARKS
1	381007448/0	2	Wheel Ø 180	Ruota Ø 180	Roue Ø 180	Rad Ø 180	
2	19216035/0	4	Bearing	Cuscinetto	Coussinet	Lager	
5	381007463/0	2	Wheel Ø 240	Ruota Ø 240	Roue Ø 240	Rad Ø 240	
6	19216035/0	4	Bearing	Cuscinetto	Coussinet	Lager	
7	112728706/0	6	Screw	Vite	Vis	Schraube	
8	322120116/0	2	Ring Gear	Corona Trascinamento	Couronne	Kranz	

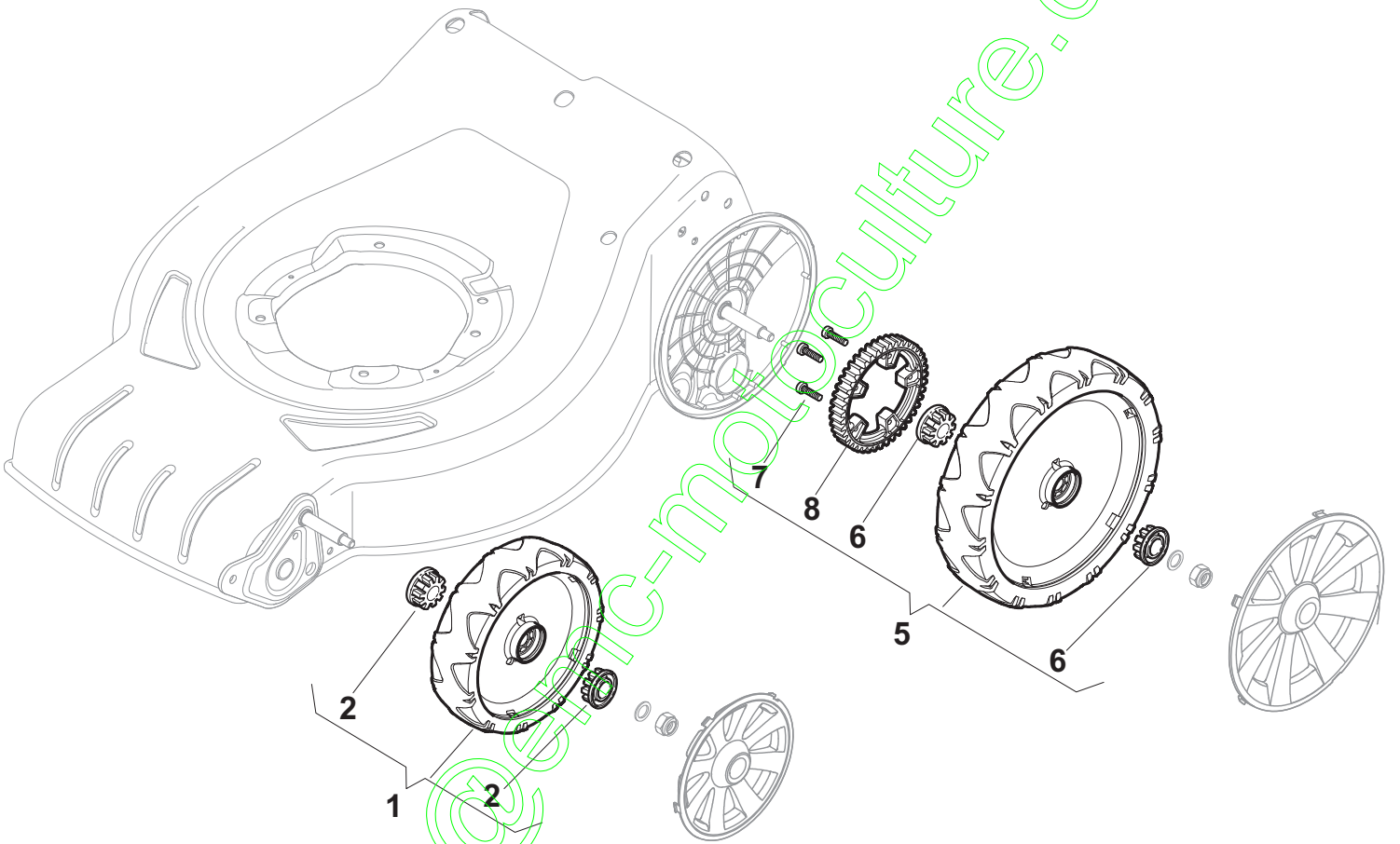
contact@emc-motoculture.com



POS	PART. NO	Q.ty	DESCRIPTION	DESCRIZIONE	DESCRIPTION	BESCHREIBUNG	REMARKS
1	381007442/0	2	Wheel Ø 180	Ruota Ø 180	Roue Ø 180	Rad Ø 180	
2	322042064/0	4	Bush	Bussola	Douille	Buchse	
5	381007462/0	2	Wheel Ø 240	Ruota Ø 240	Roue Ø 240	Rad Ø 240	
6	322042064/0	4	Bush	Bussola	Douille	Buchse	
7	112728706/0	6	Screw	Vite	Vis	Schraube	
8	322120116/0	2	Ring Gear	Corona Trascinamento	Couronne	Kranz	

contact@emc-motoculture.com

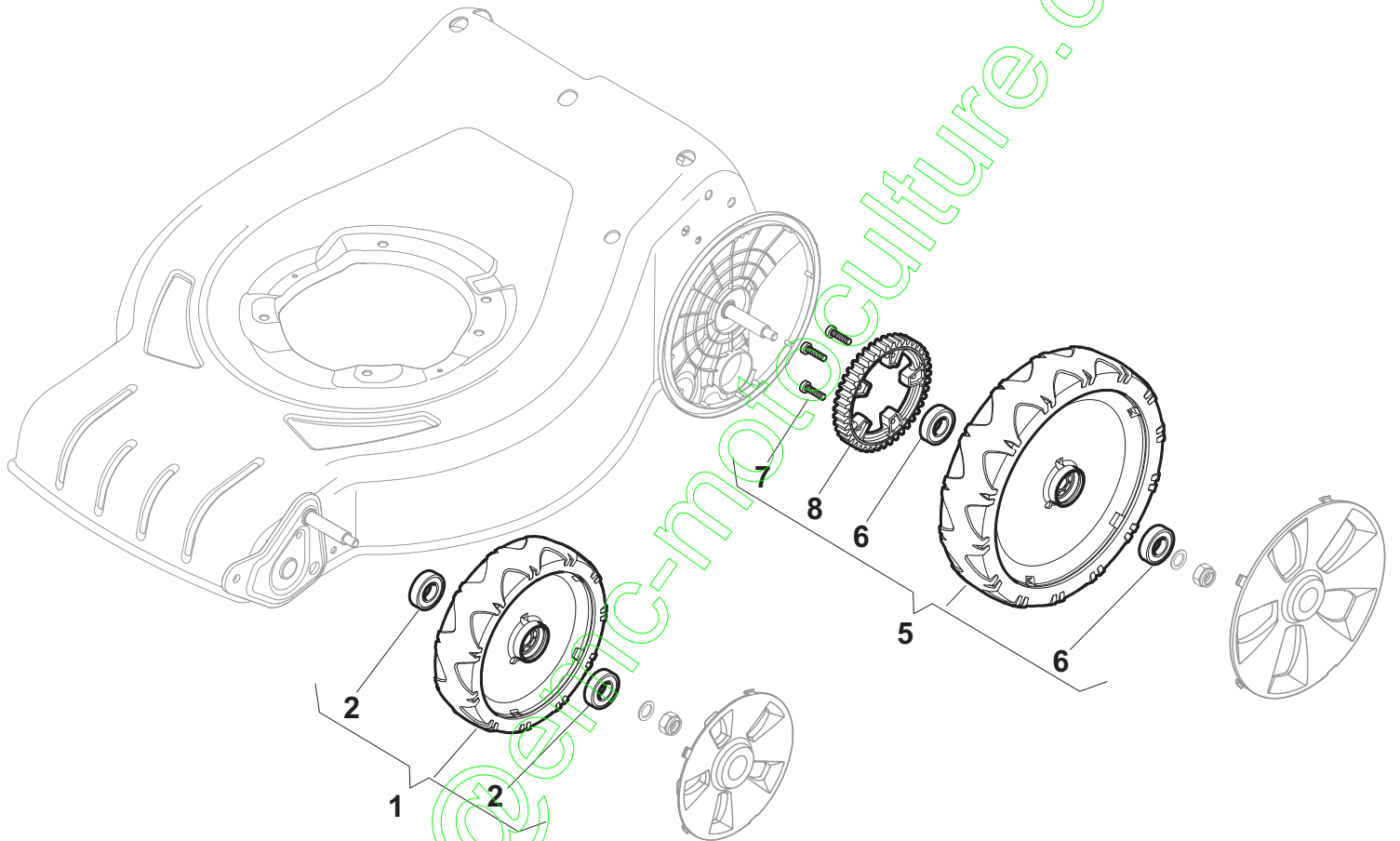
contact@estic-motoculture.com



POS	PART. NO	Q.ty	DESCRIPTION	DESCRIZIONE	DESCRIPTION	BESCHREIBUNG	REMARKS
1	381007445/0	2	Wheel Ø 180	Ruota Ø 180	Roue Ø 180	Rad Ø 180	
2	322042064/0	4	Bush	Bussola	Douille	Buchse	
5	381007466/0	2	Wheel Ø 240	Ruota Ø 240	Roue Ø 240	Rad Ø 240	
6	322042064/0	4	Bush	Bussola	Douille	Buchse	
7	112728706/0	6	Screw	Vite	Vis	Schraube	
8	322120116/0	2	Ring Gear	Corona Trascinamento	Couronne	Kranz	

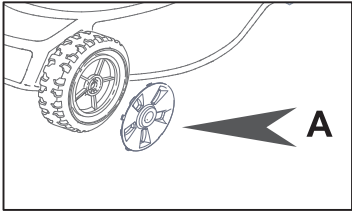
contact@emc-motoculture.com

contact@eric-moliculture.com

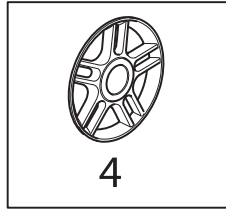


POS	PART. NO	Q.ty	DESCRIPTION	DESCRIZIONE	DESCRIPTION	BESCHREIBUNG	REMARKS
1	381007455/0	2	Wheel Ø 180	Ruota Ø 180	Roue Ø 180	Rad Ø 180	
2	19216035/0	4	Bearing	Cuscinetto	Coussinet	Lager	
5	381007467/0	2	Wheel Ø 240	Ruota Ø 240	Roue Ø 240	Rad Ø 240	
6	19216035/0	4	Bearing	Cuscinetto	Coussinet	Lager	
7	112728706/0	6	Screw	Vite	Vis	Schraube	
8	322120116/0	2	Ring Gear	Corona Trascinamento	Couronne	Kranz	

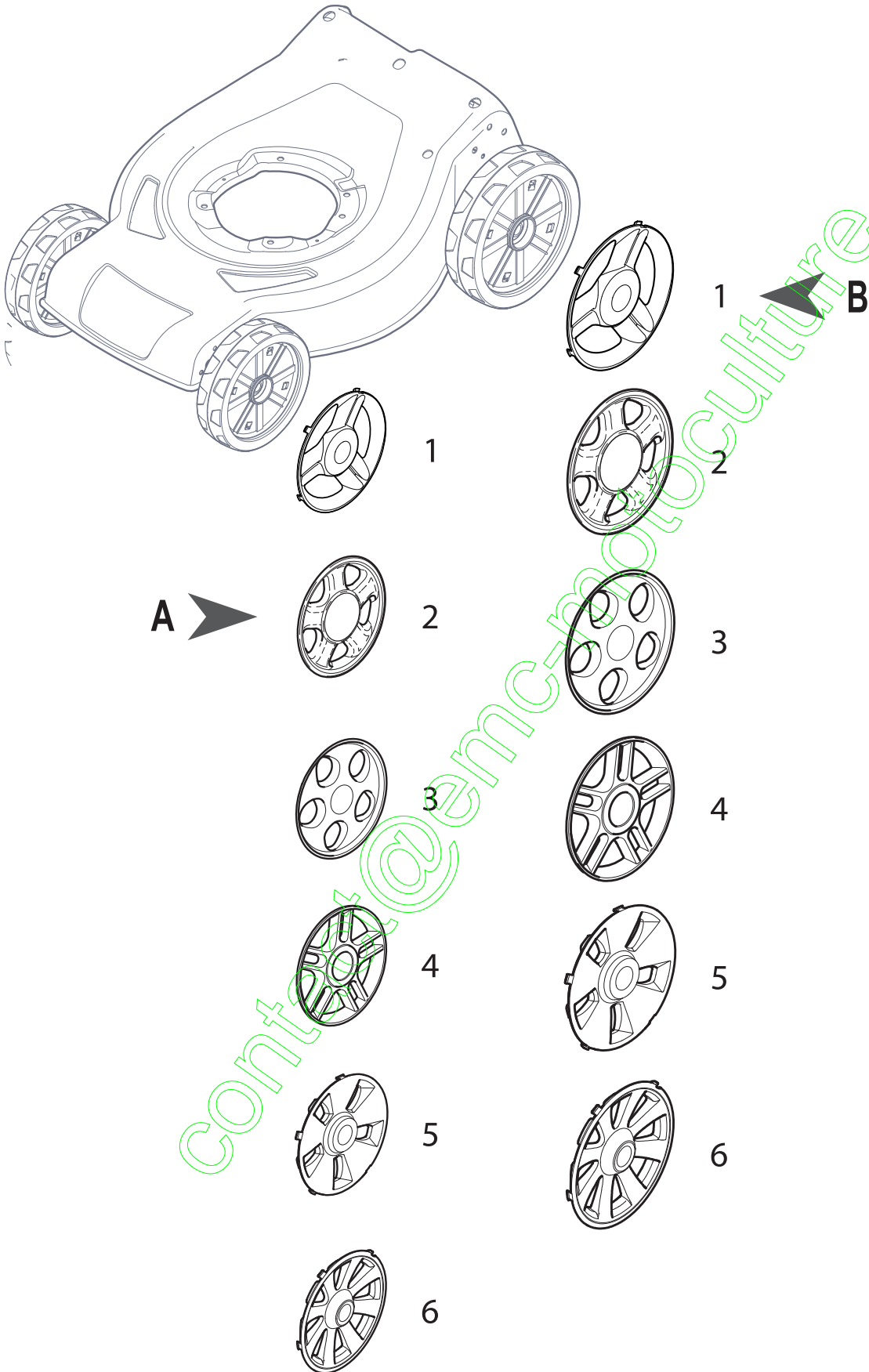
contact@emc-motoculture.com



+

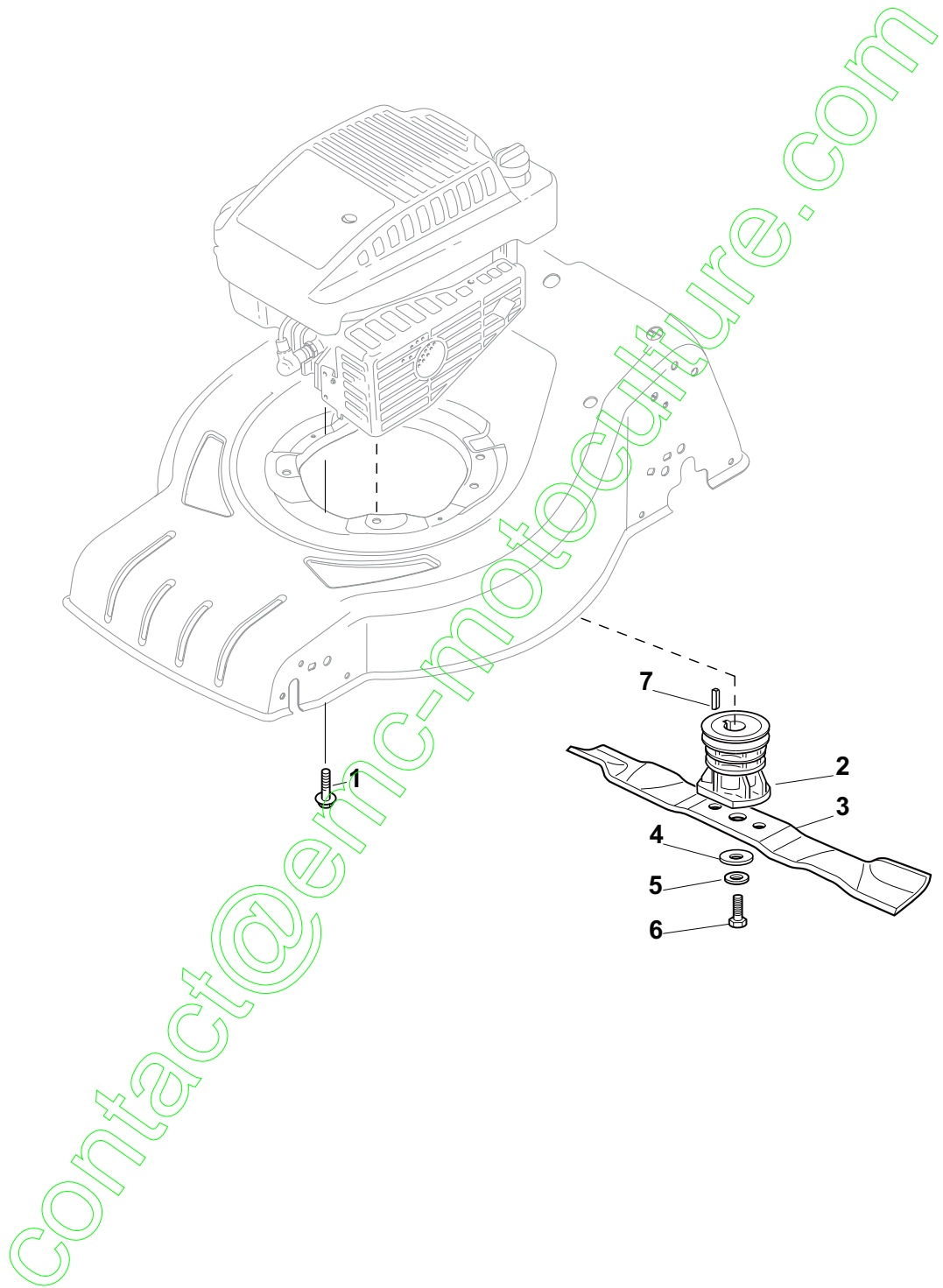


= A4



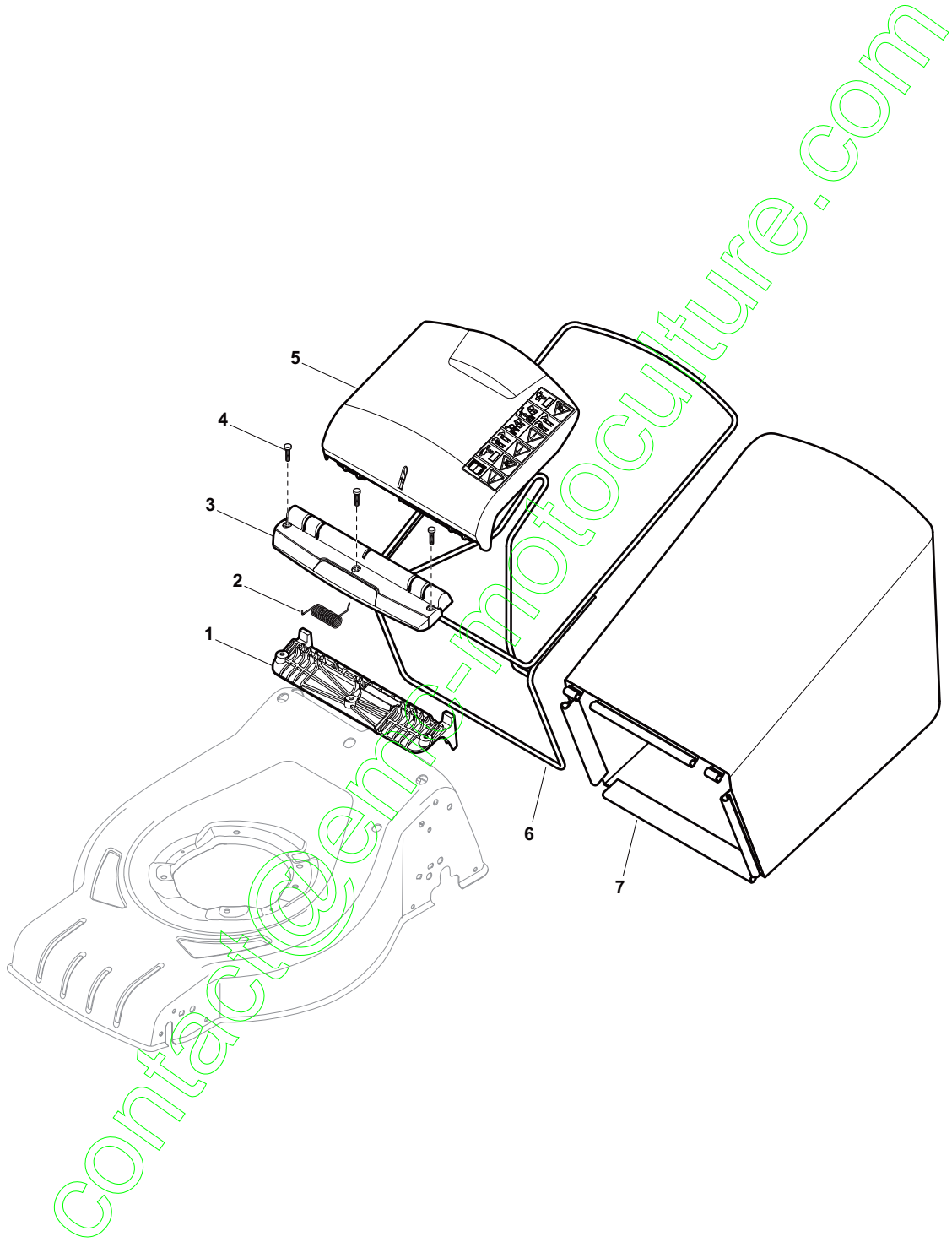
POS	PART. NO	Q.ty	DESCRIPTION	DESCRIZIONE	DESCRIPTION	BESCHREIBUNG	REMARKS
A1	322110687/0	2	Hub Cap Grey	Coprимozzo Grigio	Couvre-Moyeu	Radkappe	
A2	22110382/0	2	Hub Cap Grey	Coprимozzo Grigio	Couvre-Moyeu	Radkappe	
A3	22110416/0	2	Hub Cap Grey	Coprимozzo Grigio	Couvre-Moyeu	Radkappe	
A4	22110492/0	2	Hub Cap Grey	Coprимozzo Grigio	Couvre-Moyeu	Radkappe	
A5	322110643/0	2	Hub Cap Grey	Coprимozzo Grigio	Couvre-Moyeu	Radkappe	
A6	322110645/0	2	Hub Cap Grey	Coprимozzo Grigio	Couvre-Moyeu	Radkappe	
B1	322110641/0	2	Hub Cap Grey	Coprимozzo Grigio	Couvre-Moyeu	Radkappe	
B2	22110511/0	2	Hub Cap Grey	Coprимozzo Grigio	Couvre-Moyeu	Radkappe	
B3	322110560/0	2	Hub Cap Grey	Coprимozzo Grigio	Couvre-Moyeu	Radkappe	
B4	22110417/0	2	Hub Cap Grey	Coprимozzo Grigio	Couvre-Moyeu	Radkappe	
B5	322110644/0	2	Hub Cap Grey	Coprимozzo Grigio	Couvre-Moyeu	Radkappe	
B6	322110646/0	2	Hub Cap Grey	Coprимozzo Grigio	Couvre-Moyeu	Radkappe	

contact@enc-motoculture.com



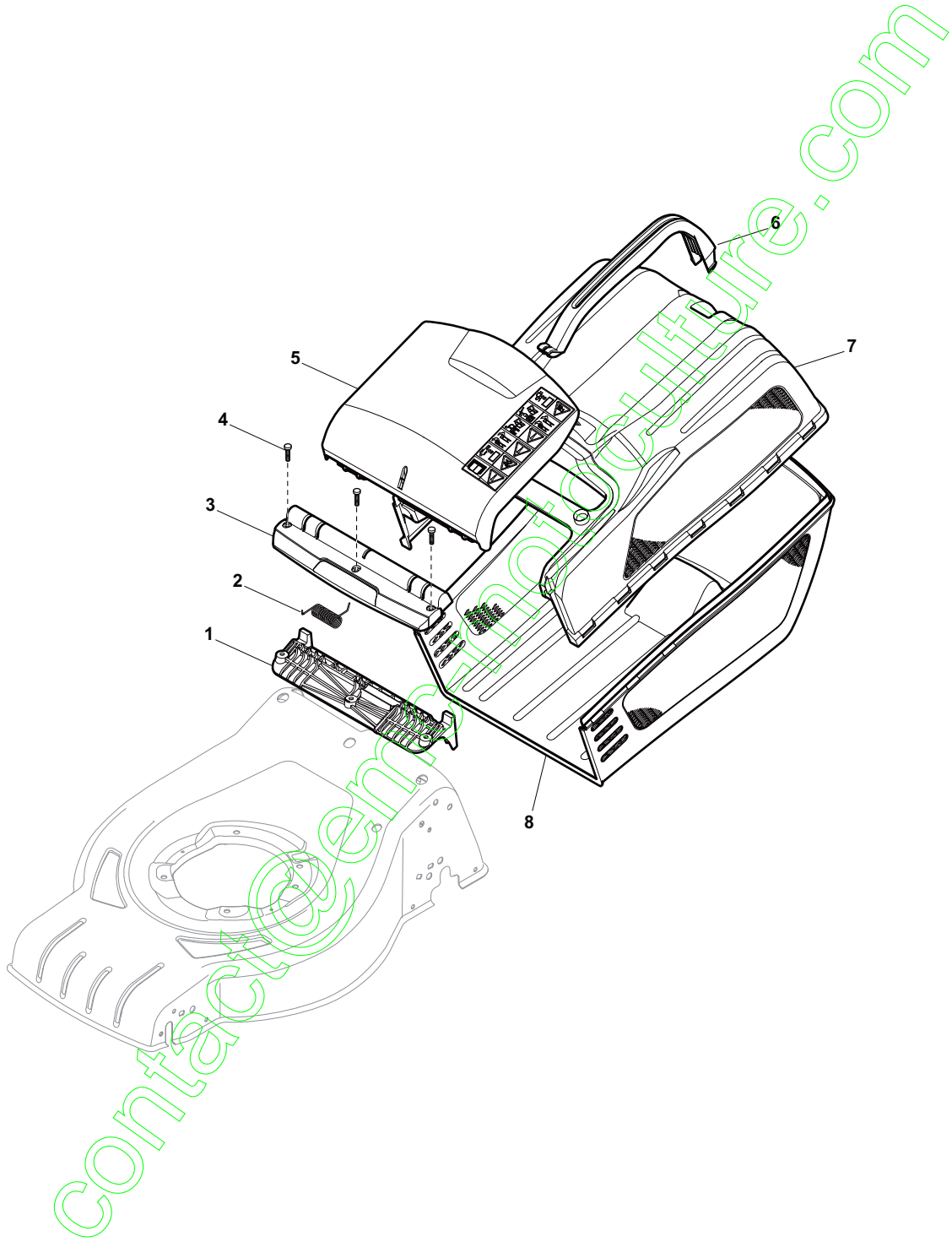
POS	PART. NO	Q.ty	DESCRIPTION	DESCRIZIONE	DESCRIPTION	BESCHREIBUNG	REMARKS
1	112735109/1	1	Screw	Vite	Vis	Schraube	GGP196cc
1	112735108/1	2	Screw	Vite	Vis	Schraube	GGP196cc
1	112735108/1	3	Screw	Vite	Vis	Schraube	B&S-GGP-Honda
1	112691100/0	3	Screw	Vite	Vis	Schraube	B&S E Series
2	122465607/3	1	Hub, Crankshaft Ø 22.2	Mozzo, Albero Motore Ø 22.2	Moyeu, Arbre Moteur Ø 22.2	Halter, Motorwelle Ø 22.2	B&S-GGP
2	122465608/2	1	Hub, Crankshaft Ø 25	Mozzo, Albero Motore Ø 25	Moyeu, Arbre Moteur Ø 25	Halter, Motorwelle Ø 25	Honda
3	81004346/3	1	Blade Standard	Coltello Standard	Lame Standard	Messer Standard	
4	22160400/0	1	Elastic Washer	Disco Elastico	Rondelle Elastique	Elastische Scheibe	
5	12523080/0	1	Washer	Rosetta	Rondelle	Scheibe	
6	12735698/0	1	Screw	Vite	Vis	Schraube	
7	12139100/0	1	Feather, Crankshaft Ø 22.2	Linguetta, Albero Motore Ø 22.2	Clavette, Arbre Moteur Ø 22.2	Keil, Motorwelle Ø 22.2	B&S-GGP
7	12139150/0	1	Feather, Crankshaft Ø 25	Linguetta, Albero Motore Ø 25	Clavette, Arbre Moteur Ø 25	Keil, Motorwelle Ø 25	Honda

contact@emc-motoculture.com



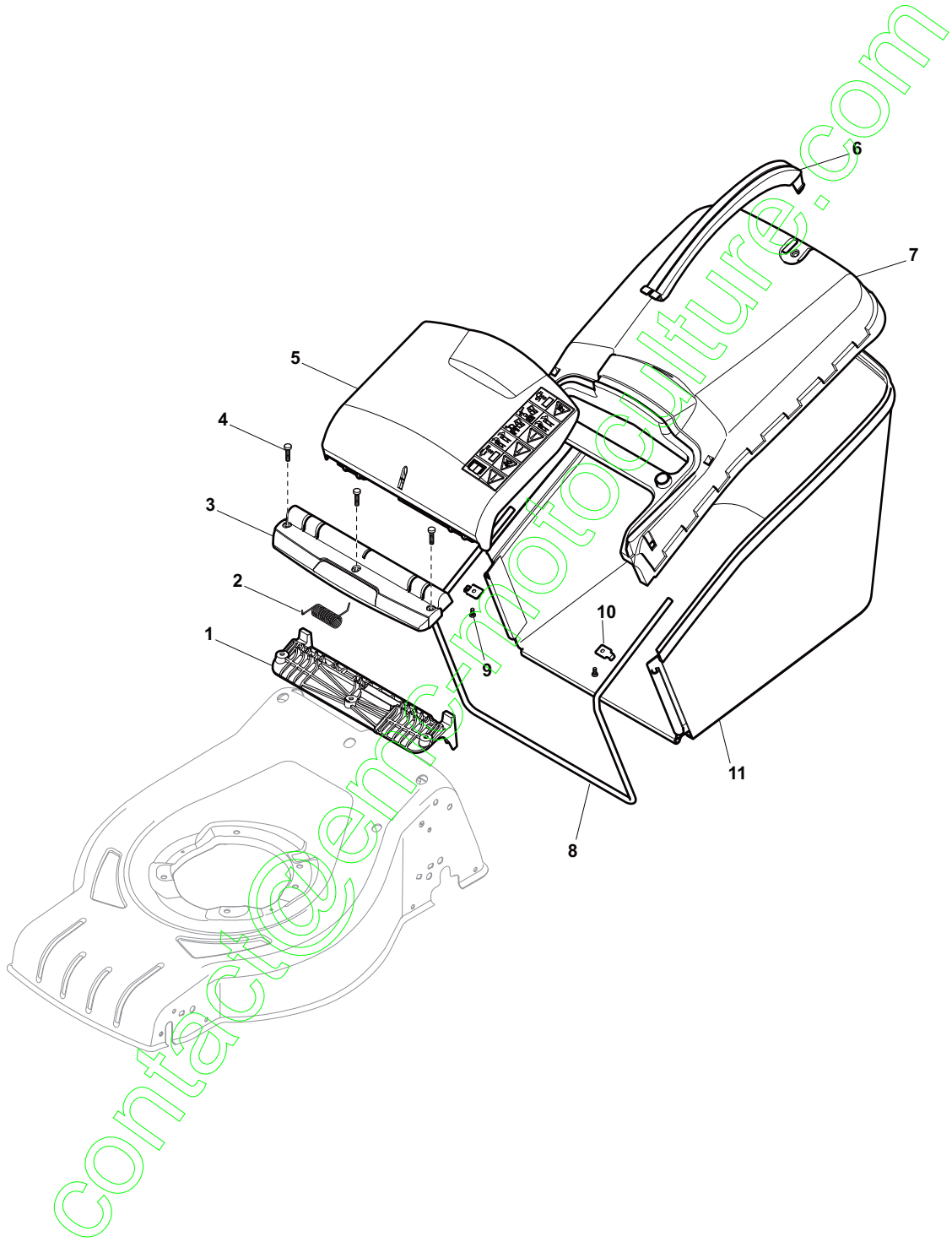
POS	PART. NO	Q.ty	DESCRIPTION	DESCRIZIONE	DESCRIPTION	BESCHREIBUNG	REMARKS
1	322785331/0	1	Support	Supporto	Support	Halter	
2	122450464/0	1	Spring	Molla	Ressort	Feder	
3	322109557/0	1	Cover, Grey	Copertura	Couvre	Kappe	Grey
3	322109556/0	1	Cover, Yellow	Copertura	Couvre	Kappe	Yellow
4	112728699/0	3	Screw	Vite	Vis	Schraube	
5	322600216/1	1	Stone-Guard, Grey	Parasassi	Pare-Pierres	Prallblech	Grey
5	322600214/1	1	Stone-Guard, Yellow	Parasassi	Pare-Pierres	Prallblech	Yellow
6	181006409/0	1	Chassis Box	Telaio Sacco	Châssis Bac	Rahmen Sack	
7	181002319/0	1	Box, Fabric	Sacco, Tela	Sac, Toile	Sack, Tuck	

contact@enc-motoculture.com



POS	PART. NO	Q.ty	DESCRIPTION	DESCRIZIONE	DESCRIPTION	BESCHREIBUNG	REMARKS
1	322785331/0	1	Support	Supporto	Support	Halter	
2	122450464/0	1	Spring	Molla	Ressort	Feder	
3	322109557/0	1	Cover, Grey	Copertura	Couvre	Kappe	Grey
3	322109556/0	1	Cover, Yellow	Copertura	Couvre	Kappe	Yellow
4	112728699/0	3	Screw	Vite	Vis	Schraube	
5	322600216/1	1	Stone-Guard, Grey	Parasassi	Pare-Pierres	Prallblech	Grey
5	322600214/1	1	Stone-Guard, Yellow	Parasassi	Pare-Pierres	Prallblech	Yellow
6	322393645/0	1	Handle	Maniglia	Poignée	Griff	
7	322486263/0	1	Grassbox Upper Part	Parte Sup.Sacco	Sac, Partie Superieure	Korb Oberteil	
8	322486267/0	1	Grassbox Lower Part	Parte Infer. Sacco	Sac, Partie Inferieure	Korb Unterteil	

contact@enc-motoculture.com



POS	PART. NO	Q.ty	DESCRIPTION	DESCRIZIONE	DESCRIPTION	BESCHREIBUNG	REMARKS
1	322785331/0	1	Support	Supporto	Support	Halter	
2	122450464/0	1	Spring	Molla	Ressort	Feder	
3	322109557/0	1	Cover, Grey	Copertura	Couvre	Kappe	Grey
3	322109556/0	1	Cover, Yellow	Copertura	Couvre	Kappe	Yellow
4	112728699/0	3	Screw	Vite	Vis	Schraube	
5	322600216/1	1	Stone-Guard, Grey	Parasassi	Pare-Pierres	Prallblech	Grey
5	322600214/1	1	Stone-Guard, Yellow	Parasassi	Pare-Pierres	Prallblech	Yellow
6	322393649/0	1	Handle	Maniglia	Poignée	Griff	
6	322393646/0	1	Handle	Maniglia	Poignée	Griff	
7	322486270/0	1	Grassbox Upper Part	Parte Sup.Sacco	Sac, Partie Superieure	Korb Oberteil	Grey
7	322486264/0	1	Grassbox Upper Part	Parte Sup.Sacco	Sac, Partie Superieure	Korb Oberteil	Yellow
8	122608561/0	1	Stiffening Lower	Rinforzo Inf	Réinforcement Inf	Verstärkung	
9	12728692/0	2	Screw	Vite	Vis	Schraube	
10	322545159/0	2	Plate	Piastrina	Plaquette	Plättchen	
11	181002318/0	1	Box, Fabric	Sacco, Tela	Sac, Toile	Sack, Tuck	

contact@emc-motoculture.com