

Genuine Spare Parts

CRL 534 WS - CRL 534 WSE

CSL 534 WS - CSL 534 WSE

Catalogo delle parti di ricambio
Spare parts catalogue
Catalogue des pieces de rechange
Ersatzteilkatalog

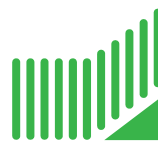
2011

- Use GLOBAL GARDEN PRODUCT Genuine Spare Parts specified in the parts list for repair and/or replacement.
- The contents described in the parts list may change due to improvement.
- The drawings of the spare parts are only indicative and might not represent the part in question exactly.
- The indications "right" - "left" - "front" - "rear" refer to the position of the operator when using the machine.
- When placing orders of parts for repair and/or replacement, make sure that the illustrated parts list is the one applying to the machine's year of manufacture, as shown on the identification plate attached to the machine.

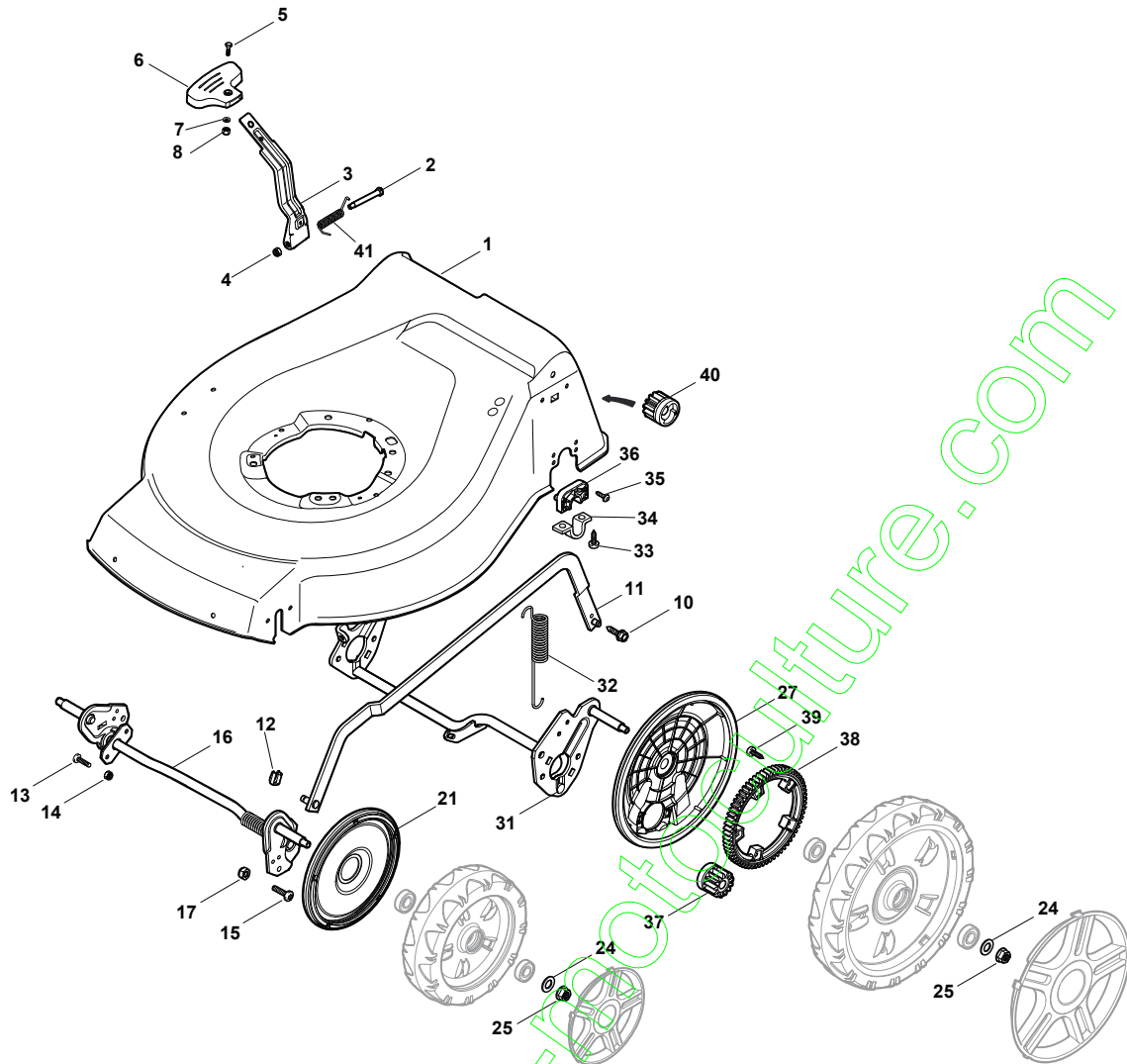
© Copyright 2011 Global Garden Products

All content is subject to copyright by Global Garden Products and may not be reproduced in whole or in part by any means, electronic or otherwise, without prior written approval.

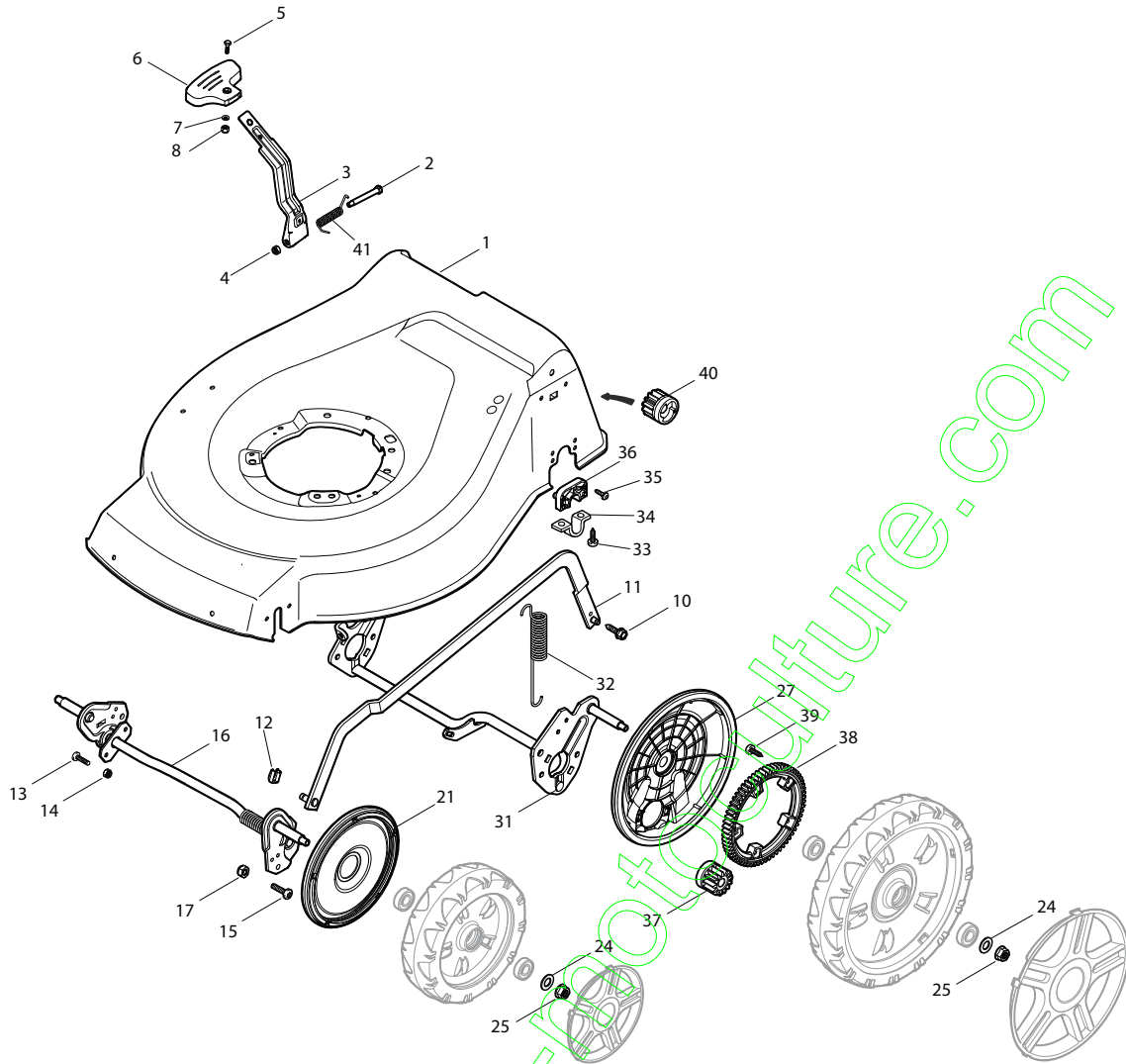
THIS INFORMATION IS NOT INTENDED FOR SALE OR RESALE, AND THIS NOTICE MUST REMAIN ON ALL COPIES.



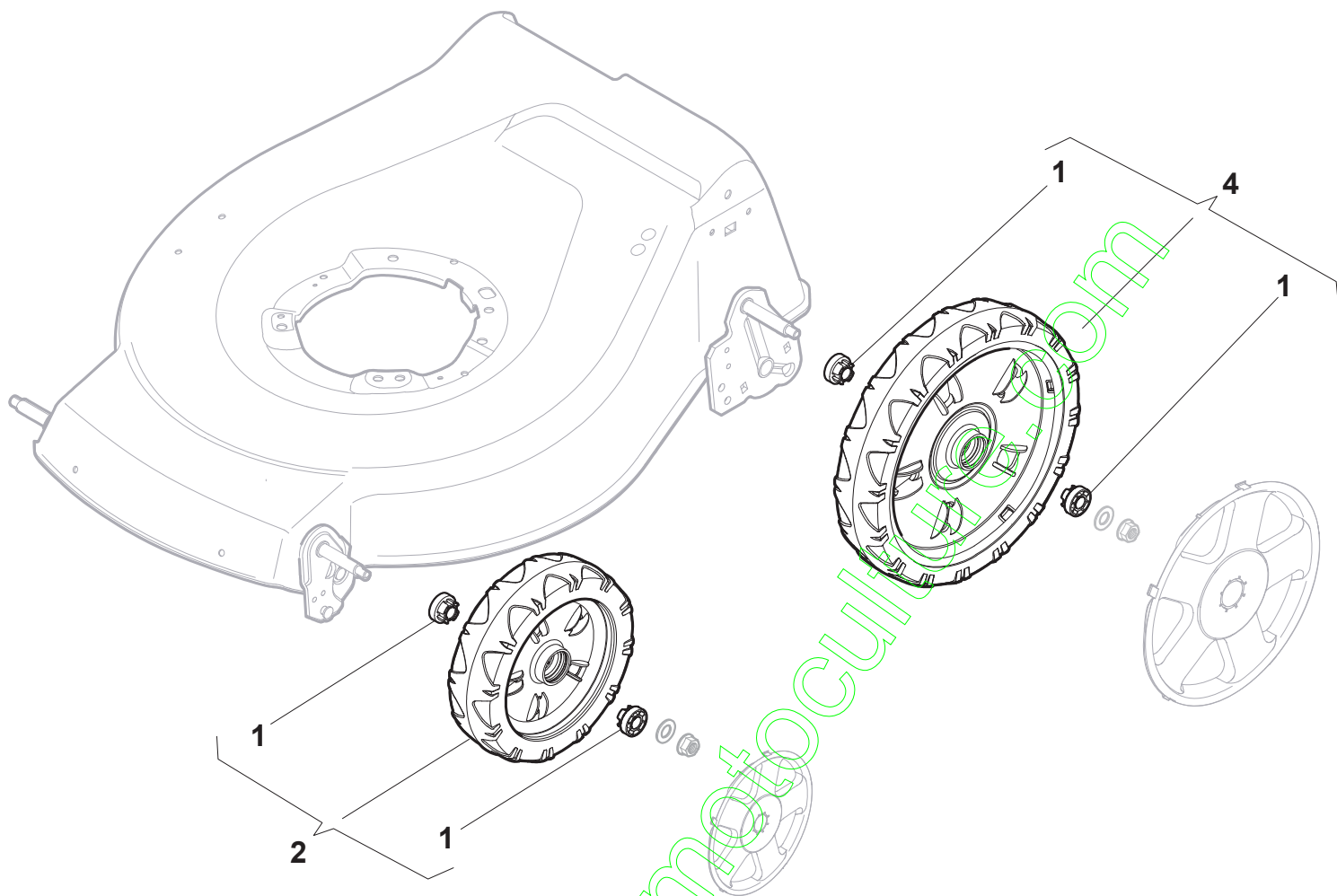
GLOBAL GARDEN PRODUCTS



| N. | CODE | Q.TY | DESCRIZIONE | DESCRIPTION | DESCRIPTION | BESCHREIBUNG | REMARK |
|----|-------------|------|-----------------------------|--------------------------|-------------------------------|-------------------------|--------|
| 1 | 381003909/0 | 1 | Chassis Rosso | Deck Red | Châssis Rouge | Gehäuse Rot | |
| 1 | 381003915/0 | 1 | Chassis Giallo | Deck Yellow | Châssis Jaune | Gehäuse Gelb | |
| 1 | 381003945/0 | 1 | Chassis Nero | Deck Black | Châssis Noir | Gehäuse Schwarz | |
| 1 | 381003984/0 | 1 | Chassis Grigio | Deck Grey | Châssis Gris | Gehäuse Grau | |
| 2 | 122534131/0 | 1 | Perno | Pin | Pivot | Bolzen | |
| 3 | 322322853/0 | 1 | Leva Regolazione Altezza | Lever, Height Adjustment | Levier, Reglage Hauteur | Hebel, Höheverstellung | |
| 4 | 112154510/0 | 1 | Dado | Nut | Ecrou | Mutter | |
| 5 | 12788512/0 | 1 | Vite | Screw | Vis | Schraube | |
| 6 | 322394503/0 | 1 | Manopolina | Knob | Poignée | Griff | |
| 7 | 12521310/0 | 1 | Rondella | Washer | Rondelle | Scheibe | |
| 8 | 12150000/0 | 1 | Dado | Nut | Ecrou | Mutter | |
| 9 | 322042063/0 | 1 | Bussola | Bearing | Coussinet | Lager | |
| 10 | 122943013/0 | 1 | Vite | Screw | Vis | Schraube | |
| 11 | 381002032/0 | 1 | Asta Comando Regol. Altezza | Rod, Height Adjustment | Tige Commande Reglage Hauteur | Stange, Höheverstellung | |
| 12 | 112436051/0 | 1 | Piastrina | Plate | Plaquette | Plättchen | |
| 13 | 112727803/0 | 3 | Vite | Screw | Vis | Schraube | |
| 14 | 12154510/0 | 3 | Dado | Nut | Ecrou | Mutter | |
| 15 | 112727801/0 | 1 | Vite | Screw | Vis | Schraube | |
| 16 | 381002887/0 | 1 | Asse Ruote Anteriori | Axle, Front Wheels | Axe Roues Avant | Achse, Vorderrad | |
| 17 | 12154510/0 | 1 | Dado | Nut | Ecrou | Mutter | |
| 21 | 322600145/0 | 2 | Prot. Ruote | Protection, Wheel | Protection Roue | Schütz, Räder | |
| 24 | 12521350/0 | 4 | Rosetta | Washer | Rondelle | Scheibe | |
| 25 | 12155000/0 | 4 | Dado | Nut | Ecrou | Mutter | |
| 27 | 322600194/0 | 2 | Prot. Ruote | Protection, Wheel | Protection Roue | Schütz, Räder | |
| 31 | 381302835/0 | 1 | Asse Ruote Posteriori | Axle, Rear Wheels | Axe Roues Arriere | Achse, Hinterrad | |
| 32 | 122450460/0 | 1 | Molla | Spring | Ressort | Feder | |
| 33 | 112728697/0 | 4 | Vite | Screw | Vis | Schraube | |

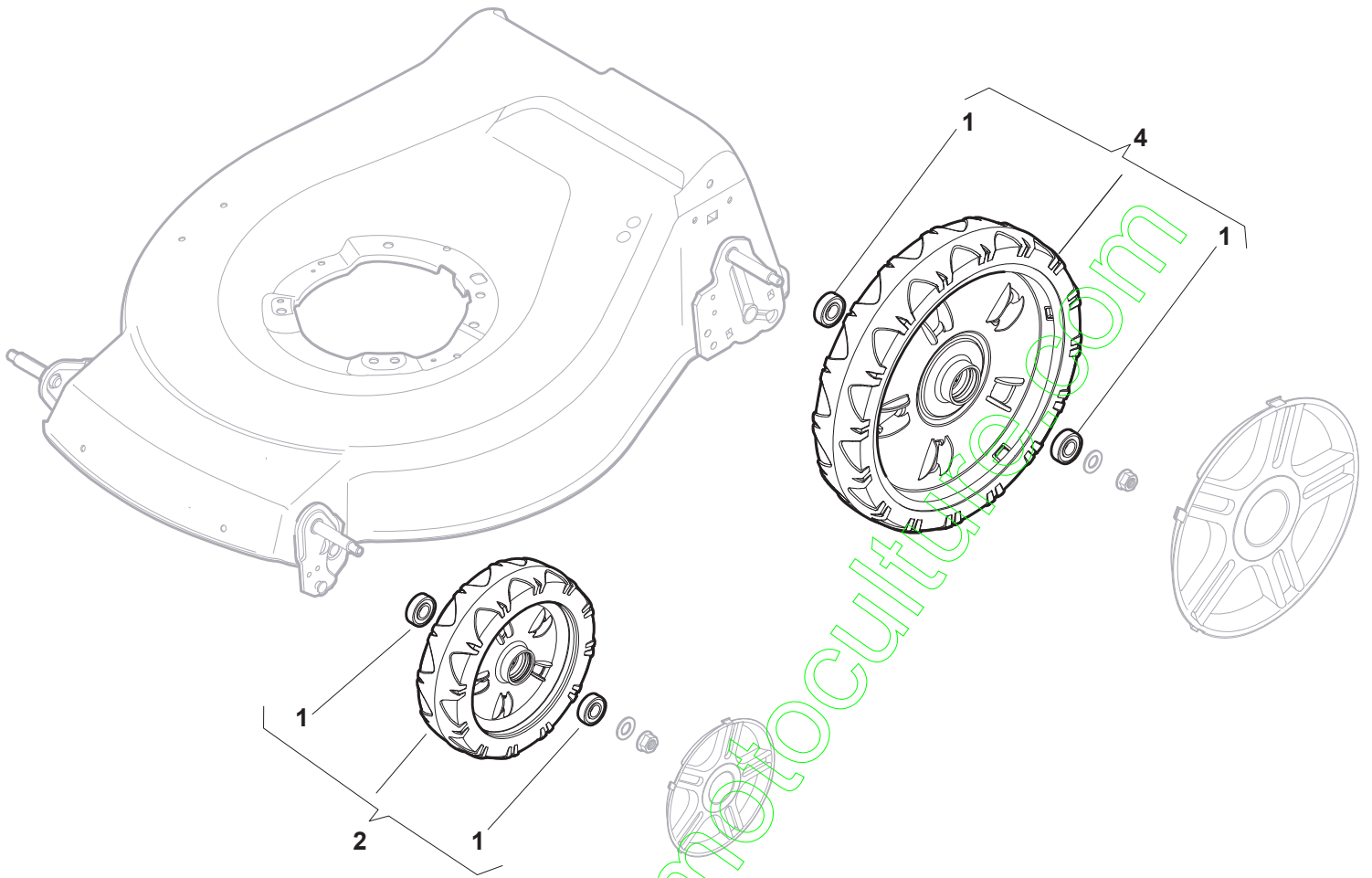


| N. | CODE | Q.TY | DESCRIZIONE | DESCRIPTION | DESCRIPTION | BESCHREIBUNG | REMARK |
|----|-------------|------|---------------------|-------------|-------------|----------------|--------|
| 34 | 22545152/0 | 2 | Piastrina | Plate | Plaquette | Platte | |
| 35 | 112728697/0 | 4 | Vite | Screw | Vis | Schraube | |
| 36 | 322785304/0 | 2 | Supporto | Support | Support | Halter | |
| 37 | 122570134/0 | 1 | Pignone Sx | Pinion L | Pignon G | Ritzel Linkes | |
| 38 | 322120115/0 | 2 | Corona Trasinamento | Ring Gear | Couronne | Kranz | |
| 39 | 112728706/0 | 1 | Vite | Screw | Vis | Shraube | |
| 40 | 122570133/0 | 1 | Pignone Dx | Pinion R | Pignon D | Ritzel Rechtes | |
| 41 | 122446192/0 | 1 | Molla | Spring | Ressort | Feder | |

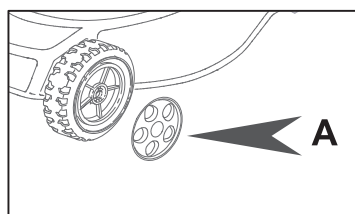
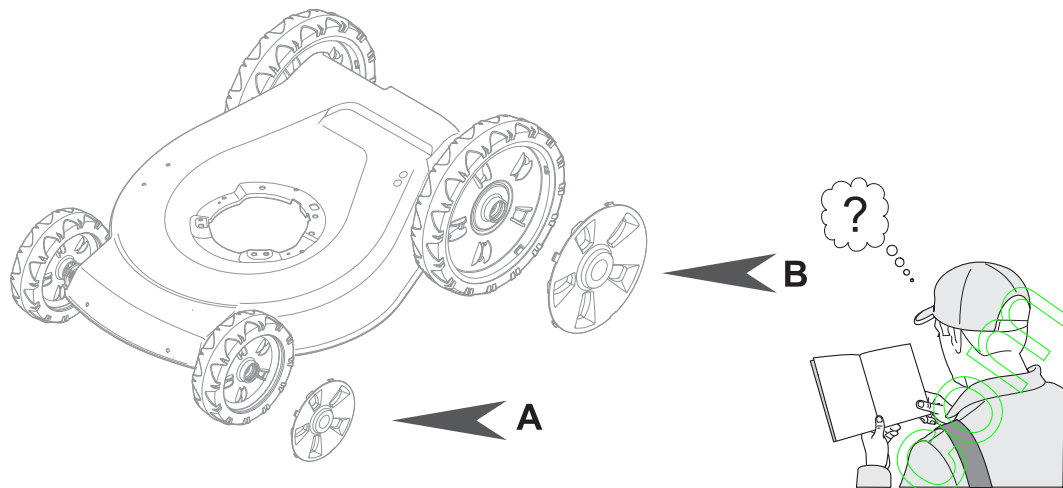


| N. | CODE | Q.TY | DESCRIZIONE | DESCRIPTION | DESCRIPTION | BESCHREIBUNG | REMARK |
|----|-------------|------|-------------|-------------|-------------|--------------|--------|
| 1 | 322042063/0 | 8 | Bussola | Bearing | Coussinet | Lager | |
| 2 | 381007435/0 | 2 | Ruota Ø 200 | Ruota Ø 200 | Roue Ø 200 | Rad Ø 200 | |
| 4 | 381007436/0 | 2 | Ruota Ø 280 | Ruota Ø 280 | Roue Ø 280 | Rad Ø 280 | |

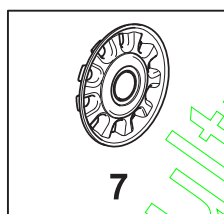
contact@emc-motoculture.com



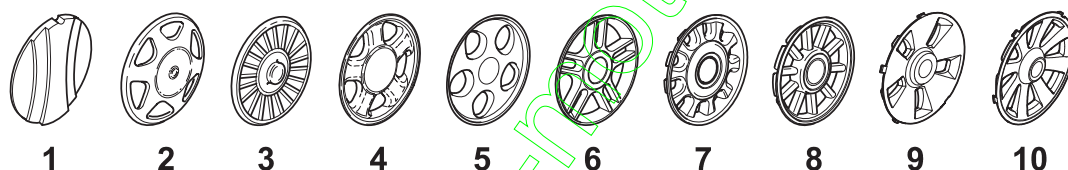
| N. | CODE | Q.TY | DESCRIZIONE | DESCRIPTION | DESCRIPTION | BESCHREIBUNG | REMARK |
|----|-------------|------|-------------|-------------|-------------|--------------|--------|
| 1 | 19216035/0 | 8 | Cuscinetto | Bearing | Coussinet | Lager | |
| 2 | 381007416/1 | 2 | Ruota Ø 200 | Ruota Ø 200 | Roue Ø 200 | Rad Ø 200 | |
| 4 | 381007417/1 | 2 | Ruota Ø 280 | Ruota Ø 280 | Roue Ø 280 | Rad Ø 280 | |



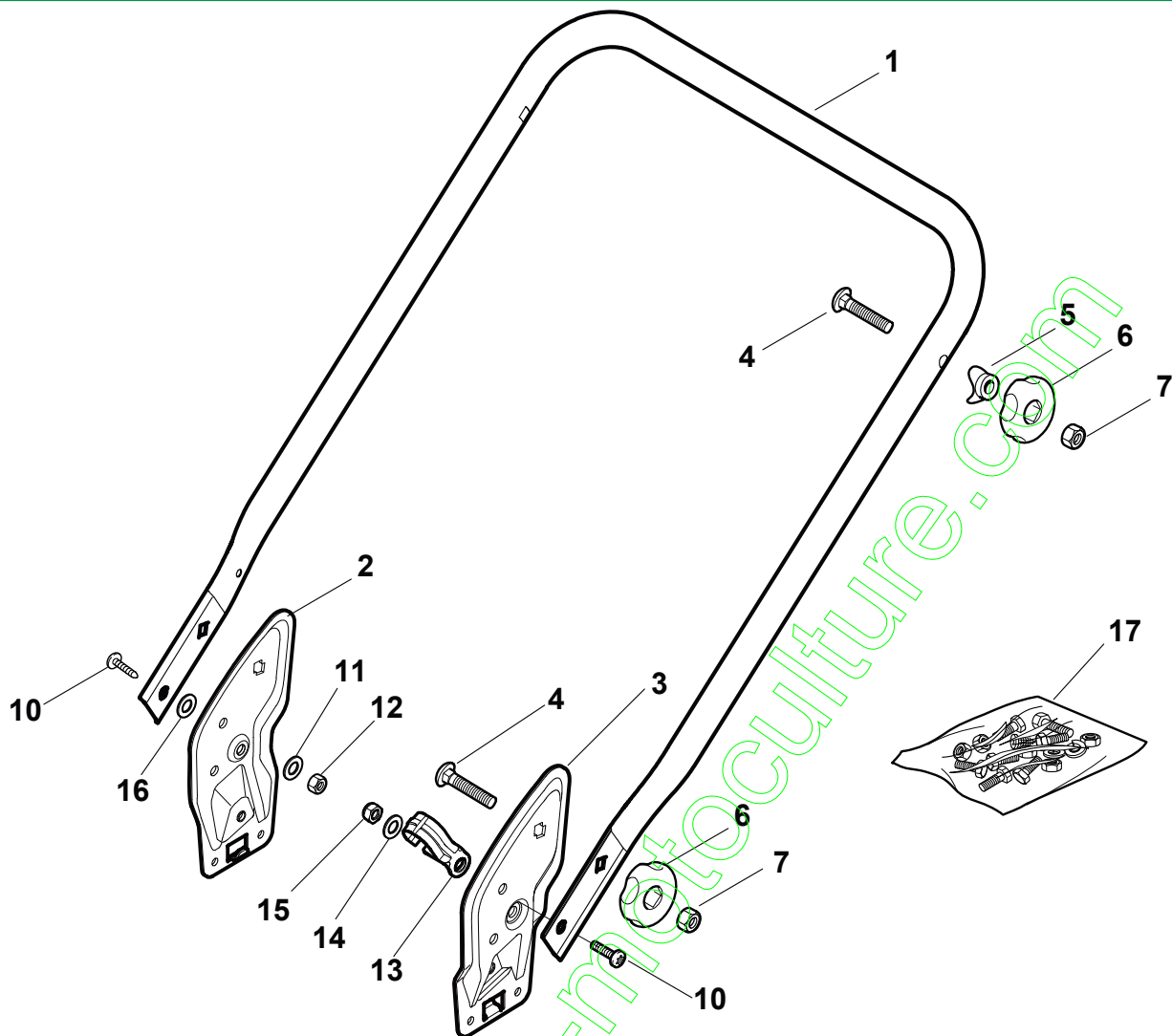
+



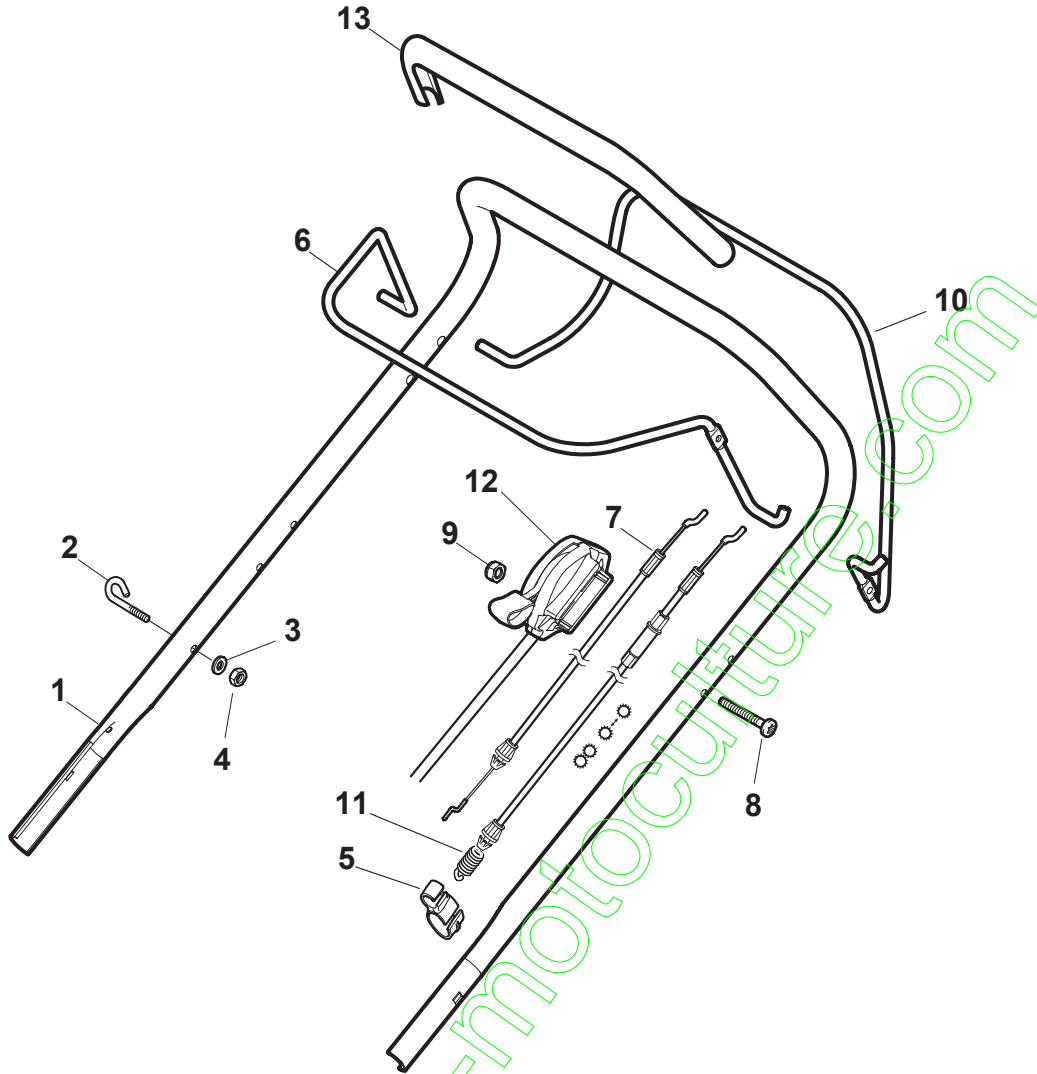
= A7



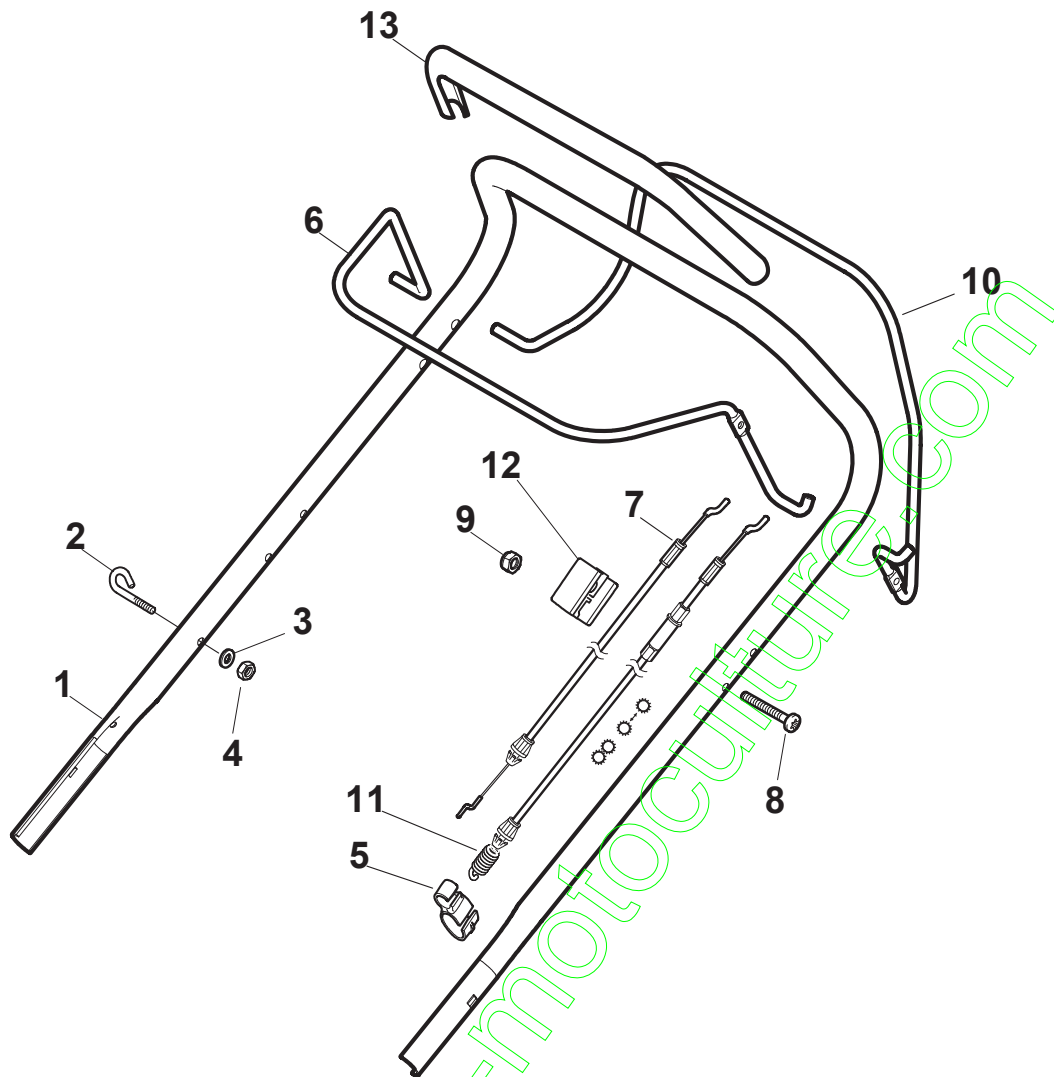
| N. CODE | Q.TY | DESCRIZIONE | DESCRIPTION | DESCRIPTION | BESCHREIBUNG | REMARK |
|-----------------|------|--------------------|----------------|-------------------|----------------|--------|
| A1 22110251/0 | 2 | Coprismozzo Bianco | Hub Cap White | Couvre-Moyeu | Radkappe Weiße | |
| A1 22110253/0 | 2 | Coprismozzo Giallo | Hub Cap Yellow | Couvre-Moyeu | Radkappe Gelbe | |
| A1 22110256/0 | 2 | Coprismozzo Rosso | Hub Cap Red | Couvre-Moyeu | Radkappe Rote | |
| A1 22110382/0 | 2 | Coprismozzo Grigio | Hub Cap Grey | Couvre-Moyeu Gris | Radkappe Grau | |
| A2 22110313/0 | 2 | Coprismozzo Bianco | Hub Cap White | Couvre-Moyeu | Radkappe Weiße | |
| A2 22110314/0 | 2 | Coprismozzo Grigio | Hub Cap Grey | Couvre-Moyeu Gris | Radkappe Grau | |
| A3 22110348/0 | 2 | Coprismozzo Grigio | Hub Cap Grey | Couvre-Moyeu Gris | Radkappe Grau | |
| A4 22110382/0 | 2 | Coprismozzo Grigio | Hub Cap Grey | Couvre-Moyeu Gris | Radkappe Grau | |
| B4 22110511/0 | 2 | Coprismozzo Grigio | Hub Cap Grey | Couvre-Moyeu Gris | Radkappe Grau | |
| A5 22110417/0 | 2 | Coprismozzo Grigio | Hub Cap Grey | Couvre-Moyeu Gris | Radkappe Grau | |
| B5 322110590/0 | 2 | Coprismozzo Grigio | Hub Cap Grey | Couvre-Moyeu Gris | Radkappe Grau | |
| A6 22110492/0 | 2 | Coprismozzo Grigio | Hub Cap Grey | Couvre-Moyeu Gris | Radkappe Grau | |
| B6 322110560/0 | 2 | Coprismozzo Grigio | Hub Cap Grey | Couvre-Moyeu Gris | Radkappe Grau | |
| A7 22110494/0 | 2 | Coprismozzo Grigio | Hub Cap Grey | Couvre-Moyeu Gris | Radkappe Grau | |
| A8 22110496/0 | 2 | Coprismozzo Grigio | Hub Cap Grey | Couvre-Moyeu Gris | Radkappe Grau | |
| A9 322110643/0 | 2 | Coprismozzo | Hub Cap Grey | Couvre-Moyeu | Radkappe | |
| B9 322110644/0 | 2 | Coprismozzo | Hub Cap | Couvre-Moyeu | Radkappe | |
| A10 322110645/0 | 2 | Coprismozzo Grigio | Hub Cap Grey | Couvre-Moyeu | Radkappe | |
| B10 322110646/0 | 2 | Coprismozzo | Hub Cap | Couvre-Moyeu | Radkappe | |



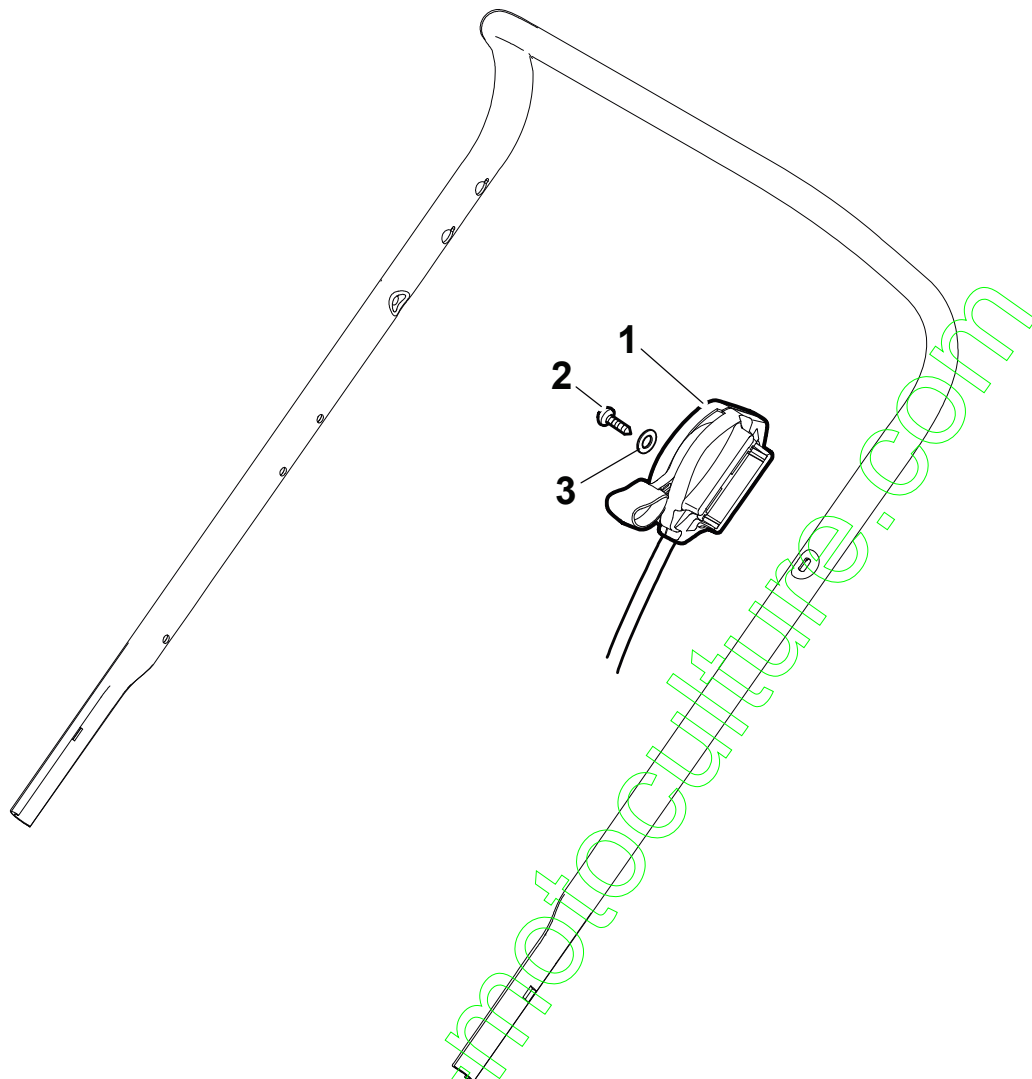
| N. | CODE | Q.TY | DESCRIZIONE | DESCRIPTION | DESCRIPTION | BESCHREIBUNG | REMARK |
|----|-------------|------|-------------------|--------------------|------------------------------|--------------------|--------|
| 1 | 381007043/0 | 1 | Manico, Parte Inf | Handle, Lower Part | Mancheron, Partie Inferieure | Holm, Unterteil | |
| 2 | 381005149/0 | 1 | Staffa Dx | Bracket, R | Bride D | Pratze, Rechte | |
| 3 | 381005151/0 | 1 | Staffa Sx | Bracket, L | Bride G | Pratze, Linke | |
| 4 | 12819120/0 | 4 | Vite | Screw | Vis | Schraube | |
| 5 | 22680006/1 | 4 | Rosetta | Washer | Rondelle | Scheibe | |
| 6 | 322399804/1 | 4 | Manopolina | Knob | Poignée | Griff | |
| 7 | 12293200/0 | 4 | Dado | Nut | Ecrou | Mutter | |
| 10 | 12760605/0 | 3 | Vite | Screw | Vis | Schraube | |
| 11 | 12521350/0 | 2 | Rosetta | Washer | Rondelle | Scheibe | |
| 12 | 12155000/0 | 2 | Dado | Nut | Ecrou | Mutter | |
| 13 | 322192156/0 | 1 | Fascetta | Fair Led | Fixation De Cable | Kabelbefestigung | |
| 14 | 12523040/0 | 1 | Rosetta | Washer | Rondelle | Scheibe | |
| 15 | 12154510/0 | 1 | Dado | Nut | Ecrou | Mutter | |
| 16 | 12369500/0 | 2 | Rosetta Elastica | Elastic Washer | Rondelle Elastique | Elastische Scheibe | |



| N. | CODE | Q.TY | DESCRIZIONE | DESCRIPTION | DESCRIPTION | BESCHREIBUNG | REMARK |
|----|-------------|------|--|---|--|----------------------------------|--------------------------------------|
| 1 | 381007508/0 | 1 | Manico, Parte Sup | Handle, Upper Part | Mancheron, Partie Superieure | Holm, Oberteil | |
| 1 | 381007510/0 | 1 | Manico, Parte Sup. con impugantura in spugna | Handle, Upper Part with sponge handgrip | Mancheron, Partie Superieure avec eponge poignée | Holm, Oberteil Handgriff Schwamm | |
| 2 | 22430313/0 | 1 | Molla Guida | Guide Spring | Ressort De Guide | Feder Führer | |
| 3 | 12521330/0 | 1 | Rosetta | Washer | Rondelle | Scheibe | |
| 4 | 12154510/0 | 1 | Dado | Nut | Ecrou | Mutter | |
| 5 | 118390020/0 | 1 | Fermacavo | Fairlead | Fixation Cable | Kabelbefestigung | |
| 6 | 181003363/1 | 1 | Leva Freno Motore | Lever, Engine Brake | Levier Frein Moteur | Hebel, Motorbremse | Black |
| 6 | 381003365/0 | 1 | Leva Freno Motore | Lever, Engine Brake | Levier Frein Moteur | Hebel, Motorbremse | Yellow |
| 6 | 381003376/0 | 1 | Leva Freno Motore | Lever, Engine Brake | Levier Frein Moteur | Hebel, Motorbremse | Red |
| 7 | 181030053/0 | 1 | Cavo Freno Motore | Cable, Thread Eng. Brake | Cable Frein Moteur | Kabel, Motorbremse | B&S |
| 7 | 181030053/0 | 1 | Cavo Freno Motore | Cable, Thread Eng. Brake | Cable Frein Moteur | Kabel, Motorbremse | GGP |
| 7 | 181030070/0 | 1 | Cavo Freno Motore | Cable, Thread Eng. Brake | Cable Frein Moteur | Kabel, Motorbremse | HONDA |
| 8 | 12727783/0 | 1 | Vite | Screw | Vis | Schraube | |
| 9 | 12154510/0 | 1 | Dado | Nut | Ecrou | Mutter | |
| 10 | 181003364/0 | 1 | Leva Trazione | Lever, Driving | Levier Traction | Hebel, Antrieb | Black |
| 10 | 381003366/0 | 1 | Leva Trazione | Lever, Driving | Levier Traction | Hebel, Antrieb | Yellow |
| 10 | 381003377/0 | 1 | Leva Trazione | Lever, Driving | Levier Traction | Hebel, Antrieb | Red |
| 11 | 381030051/0 | 1 | Cavo Comando Trazione | Cable, Rear Drive | Câble, Commande Traction | Kabel, Antrieb | |
| 12 | 181005504/1 | 1 | Cavo Acceleratore | Throttle Cable | Cable, Accelérateur | Gashebel Kabel | GGP 150 cc |
| 12 | 181005511/0 | 1 | Cavo Acceleratore | Throttle Cable | Cable, Accelérateur | Gashebel Kabel | B&S |
| 12 | 181005517/0 | 1 | Cavo Acceleratore | Throttle Cable | Cable, Accelérateur | Gashebel Kabel | HONDA |
| 12 | 181005517/0 | 1 | Cavo Acceleratore | Throttle Cable | Cable, Accelérateur | Gashebel Kabel | GGP |
| 13 | 22291050/0 | 1 | Impugnatura Manico Nera | Handgrip Black | Poignée Noire | Handgriff Schwarz | only for handle part no. 381007508/0 |

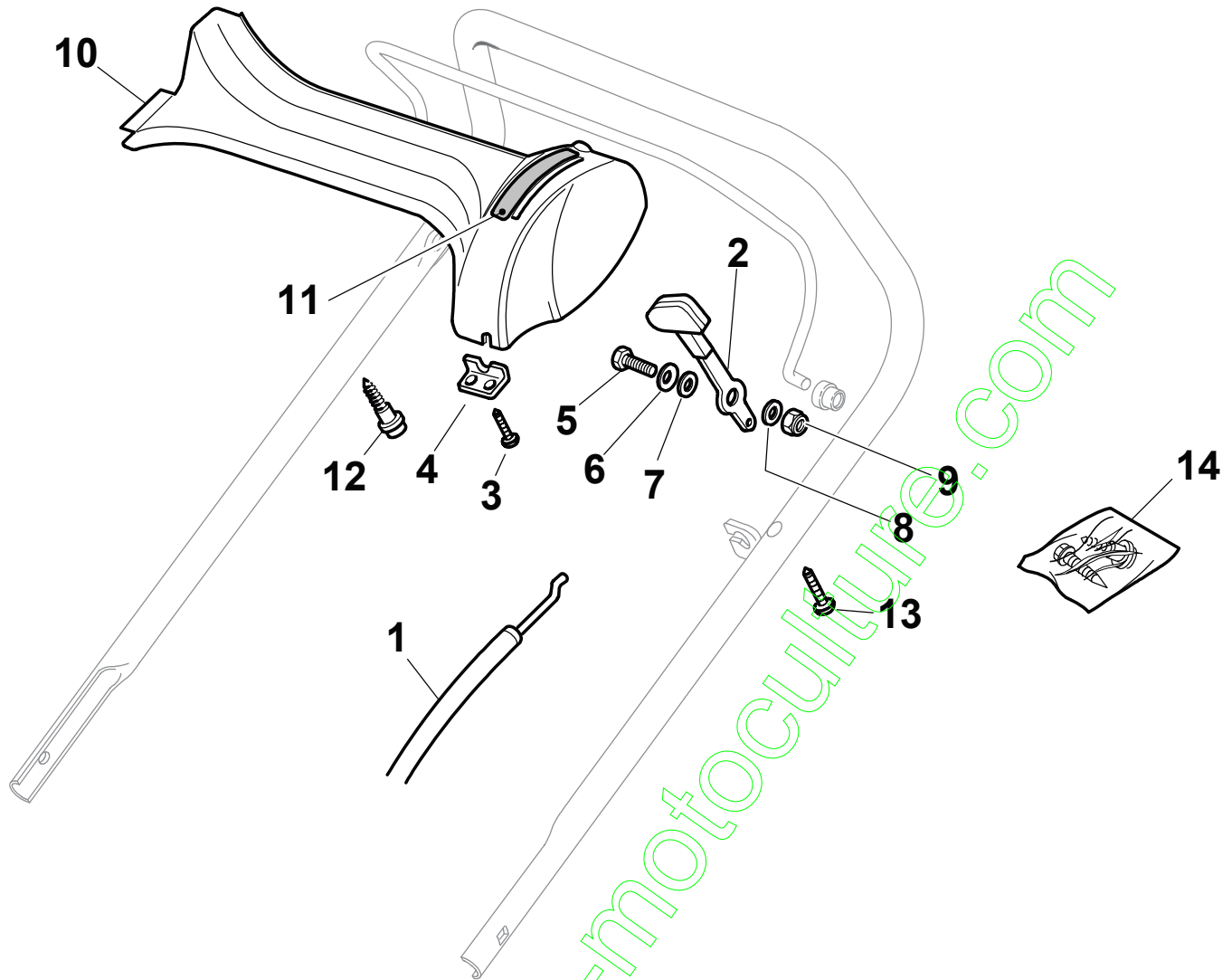


| N. | CODE | Q.TY | DESCRIZIONE | DESCRIPTION | DESCRIPTION | BESCHREIBUNG | REMARK |
|----|-------------|------|--|---|--|----------------------------------|--------------------------------------|
| 1 | 381006739/0 | 1 | Manico, Parte Sup | Handle, Upper Part | Mancheron, Partie Superieure | Holm, Oberteil | |
| 1 | 381006745/0 | 1 | Manico, Parte Sup. con impugantura in spugna | Handle, Upper Part with sponge handgrip | Mancheron, Partie Superieure avec eponge poignée | Holm, Oberteil Handgriff Schwamm | |
| 2 | 22430313/0 | 1 | Molla Guida | Guide Spring | Ressort De Guide | Feder Führer | |
| 3 | 12521330/0 | 1 | Rosetta | Washer | Rondelle | Scheibe | |
| 4 | 12154510/0 | 1 | Dado | Nut | Ecrou | Mutter | |
| 5 | 118390020/0 | 1 | Fermacavo | Fairlead | Fixation Cable | Kabelbefestigung | |
| 6 | 181003363/1 | 1 | Leva Freno Motore | Lever, Engine Brake | Levier Frein Moteur | Hebel, Motorbremse | Black |
| 6 | 381003365/0 | 1 | Leva Freno Motore | Lever, Engine Brake | Levier Frein Moteur | Hebel, Motorbremse | Yellow |
| 6 | 381003376/0 | 1 | Leva Freno Motore | Lever, Engine Brake | Levier Frein Moteur | Hebel, Motorbremse | Red |
| 7 | 181030053/0 | 1 | Cavo Freno Motore | Cable, Thread Eng. Brake | Cable Frein Moteur | Kabel, Motorbremse | B&S |
| 7 | 181030053/0 | 1 | Cavo Freno Motore | Cable, Thread Eng. Brake | Cable Frein Moteur | Kabel, Motorbremse | GGP |
| 7 | 181030070/0 | 1 | Cavo Freno Motore | Cable, Thread Eng. Brake | Cable Frein Moteur | Kabel, Motorbremse | HONDA |
| 8 | 12727783/0 | 1 | Vite | Screw | Vis | Schraube | |
| 9 | 12154510/0 | 1 | Dado | Nut | Ecrou | Mutter | |
| 10 | 181003364/0 | 1 | Leva Trazione | Lever, Driving | Levier Traction | Hebel, Antrieb | Black |
| 10 | 381003366/0 | 1 | Leva Trazione | Lever, Driving | Levier Traction | Hebel, Antrieb | Yellow |
| 10 | 381003377/0 | 1 | Leva Trazione | Lever, Driving | Levier Traction | Hebel, Antrieb | Red |
| 11 | 381030051/0 | 1 | Cavo Comando Trazione | Cable, Rear Drive | Câble, Commande Traction | Kabel, Antrieb | |
| 12 | 22551640/0 | 1 | Piastrina | Plate | Plaquette | Plättchen | |
| 13 | 22291050/0 | 1 | Impugnatura Manico Nera | Handgrip Black | Poignée Noire | Handgriff Schwarz | only for handle part no. 381007508/0 |

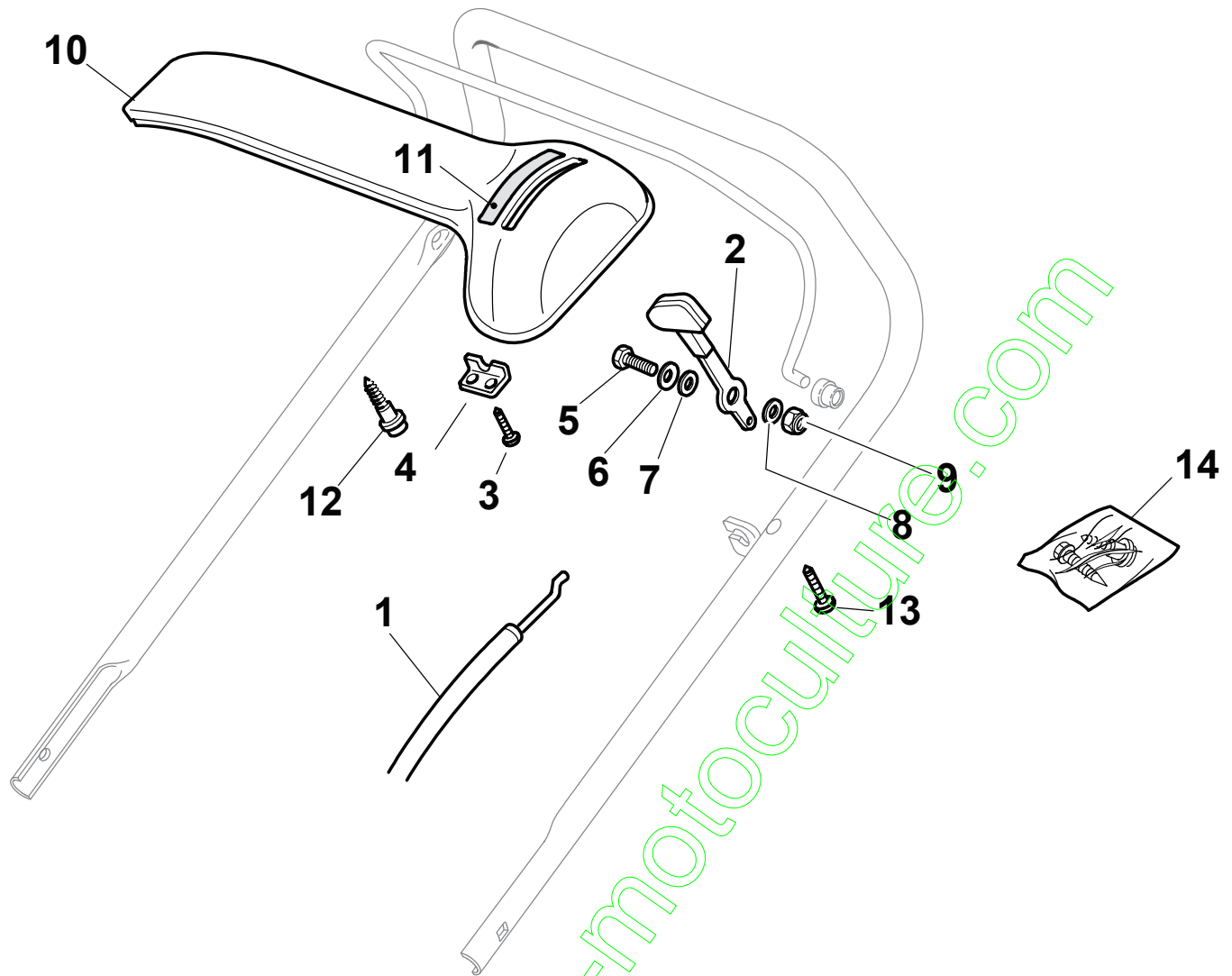


| N. | CODE | Q.TY | DESCRIZIONE | DESCRIPTION | DESCRIPTION | BESCHREIBUNG | REMARK |
|----|-------------|------|-------------------|----------------|---------------------|----------------|--------------------------------------|
| 1 | 181005501/1 | 1 | Cavo Acceleratore | Throttle Cable | Cable, Accelérateur | Gashebel Kabel | (GGP 140-160-190 cc) |
| 1 | 181005501/1 | 1 | Cavo Acceleratore | Throttle Cable | Cable, Accelérateur | Gashebel Kabel | (Honda GCV 135-160-190) |
| 1 | 181005502/1 | 1 | Cavo Acceleratore | Throttle Cable | Cable, Accelérateur | Gashebel Kabel | (B&S 450-500-550-625-675-700) |
| 1 | 181005503/1 | 1 | Cavo Acceleratore | Throttle Cable | Cable, Accelérateur | Gashebel Kabel | (Honda GCV 135-160-190 Autochoke) |
| 1 | 181005504/1 | 1 | Cavo Acceleratore | Throttle Cable | Cable, Accelérateur | Gashebel Kabel | (GGP 150cc) |
| 1 | 181005505/1 | 1 | Cavo Acceleratore | Throttle Cable | Cable, Accelérateur | Gashebel Kabel | 534 BBC (B&S 675) |
| 1 | 181005506/1 | 1 | Cavo Acceleratore | Throttle Cable | Cable, Accelérateur | Gashebel Kabel | 534 BBC (Honda GCV 190) |
| 2 | 12735103/0 | 1 | Vite | Screw | Vis | Schraube | |
| 3 | 12523040/0 | 1 | Rosetta | Washer | Rondelle | Scheibe | |

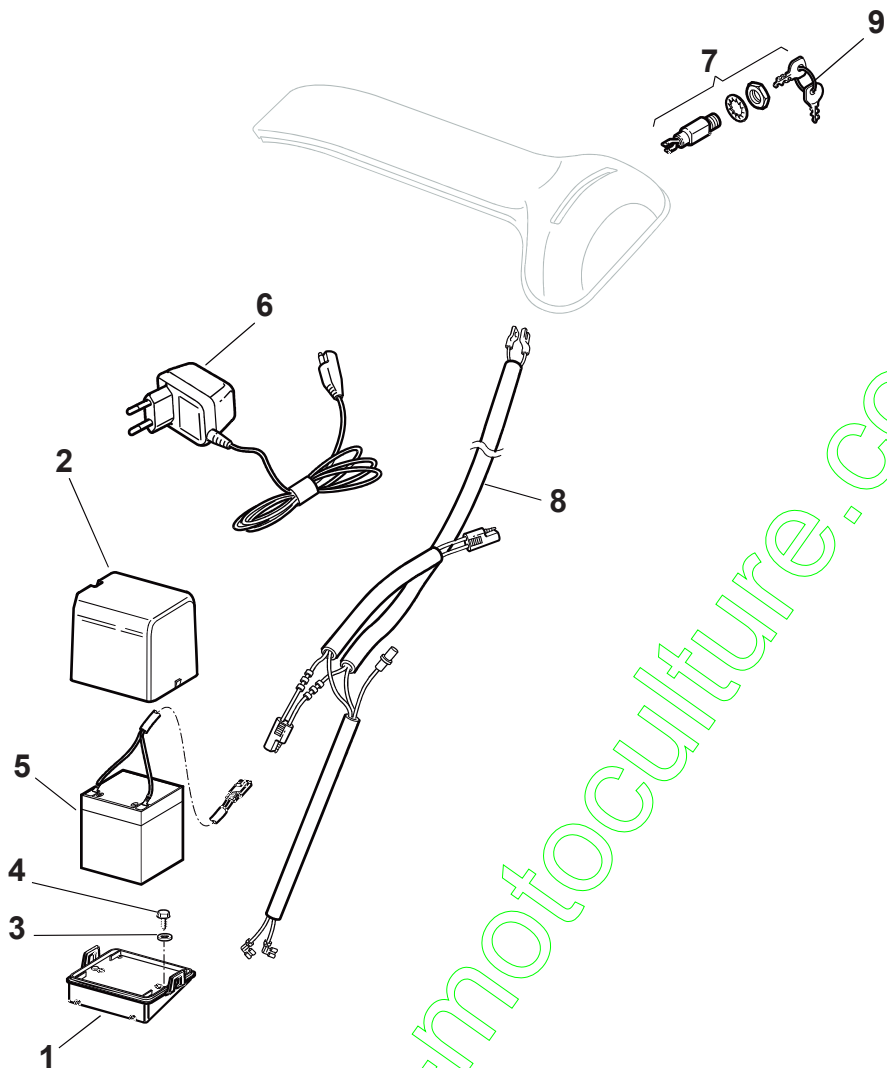
contact@motoculture.com



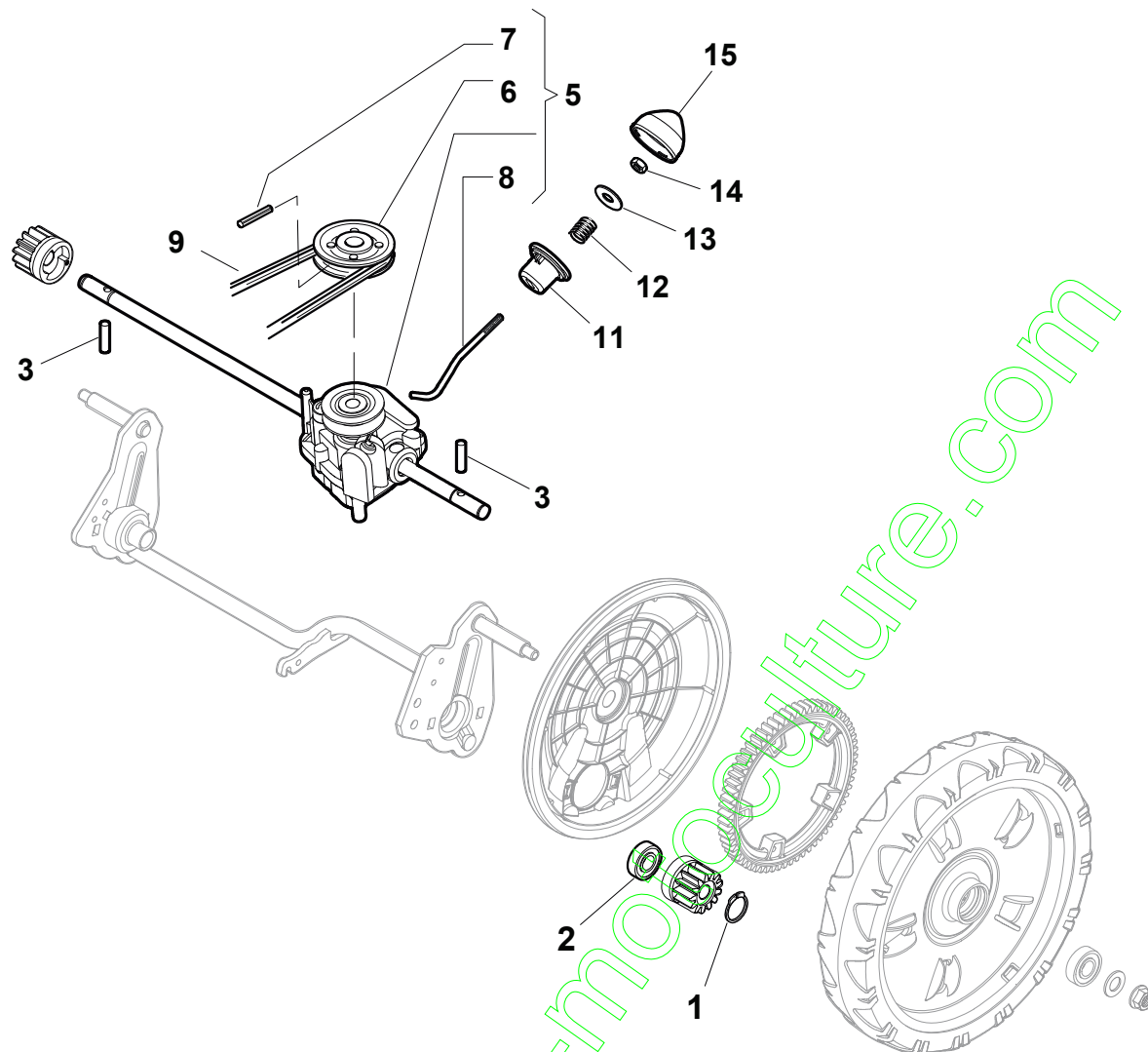
| N. | CODE | Q.TY | DESCRIZIONE | DESCRIPTION | DESCRIPTION | BESCHREIBUNG | REMARK |
|----|-------------|------|-----------------------------|---------------------------|---------------------------|-------------------------|---|
| 1 | 81007160/0 | 1 | Cavo Acceleratore | Throttle Cable | Cable, Accelérateur | Gashebel Kabel | |
| 2 | 81007221/0 | 1 | Leva, Acceleratore | Lever, Throttle | Levier, | Hebel, Beshleuniger | (B&S 450-500 Series - GGP 150 cc) |
| 2 | 81007280/2 | 1 | Leva, Acceleratore | Lever, Throttle | Levier, | Hebel, Beshleuniger | (B&S 625-675-700 Series - Honda - GGP 140-160-196 cc) |
| 3 | 12735105/0 | 2 | Vite | Screw | Vis | Schraube | |
| 4 | 22981467/0 | 1 | Piastrina | Plate | Plaquette | Platte | |
| 5 | 12791500/0 | 1 | Vite | Screw | Vis | Schraube | |
| 6 | 12530060/0 | 1 | Rosetta Elastica | Elastic Washer | Rondelle Elastique | Elastische Scheibe | |
| 7 | 12523040/0 | 1 | Rosetta | Washer | Rondelle | Scheibe | |
| 8 | 12523040/0 | 1 | Rosetta | Washer | Rondelle | Scheibe | |
| 9 | 12154510/0 | 1 | Dado | Nut | Ecrou | Mutter | |
| 10 | 22120172/0 | 1 | Cruscotto Nero | Dash Board Black | Console Noire | Konsole Schwarze | |
| 10 | 22120173/0 | 1 | Cruscotto Rosso | Dash Board Red | Console Rouge | Konsole Rote | |
| 10 | 22120174/0 | 1 | Cruscotto Giallo | Dash Board Yellow | Console Jaune | Konsole Gelbe | |
| 11 | 114356743/1 | 1 | Etichetta | Label | Etiquette | Etikette | (GGP) |
| 11 | 114356743/1 | 1 | Etichetta | Label | Etiquette | Etikette | (Honda) |
| 11 | 114356744/1 | 1 | Etichetta | Label | Etiquette | Etikette | (B&S) |
| 11 | 114356906/1 | 1 | Etichetta | Label | Etiquette | Etikette | (B&S 700 series DOV) |
| 11 | 114357646/1 | 1 | Etichetta | Label | Etiquette | Etikette | (Honda GCV 160-190 Autochoke) |
| 12 | 22943006/0 | 1 | Vite | Screw | Vis | Schraube | |
| 13 | 12728460/0 | 1 | Vite | Screw | Vis | Schraube | |
| 14 | 81008609/0 | 1 | Dotazione Viteria Cruscotto | Outfit, Dash-Board Screws | Dotation Visserie Console | Satz, Konsole Schrauben | |



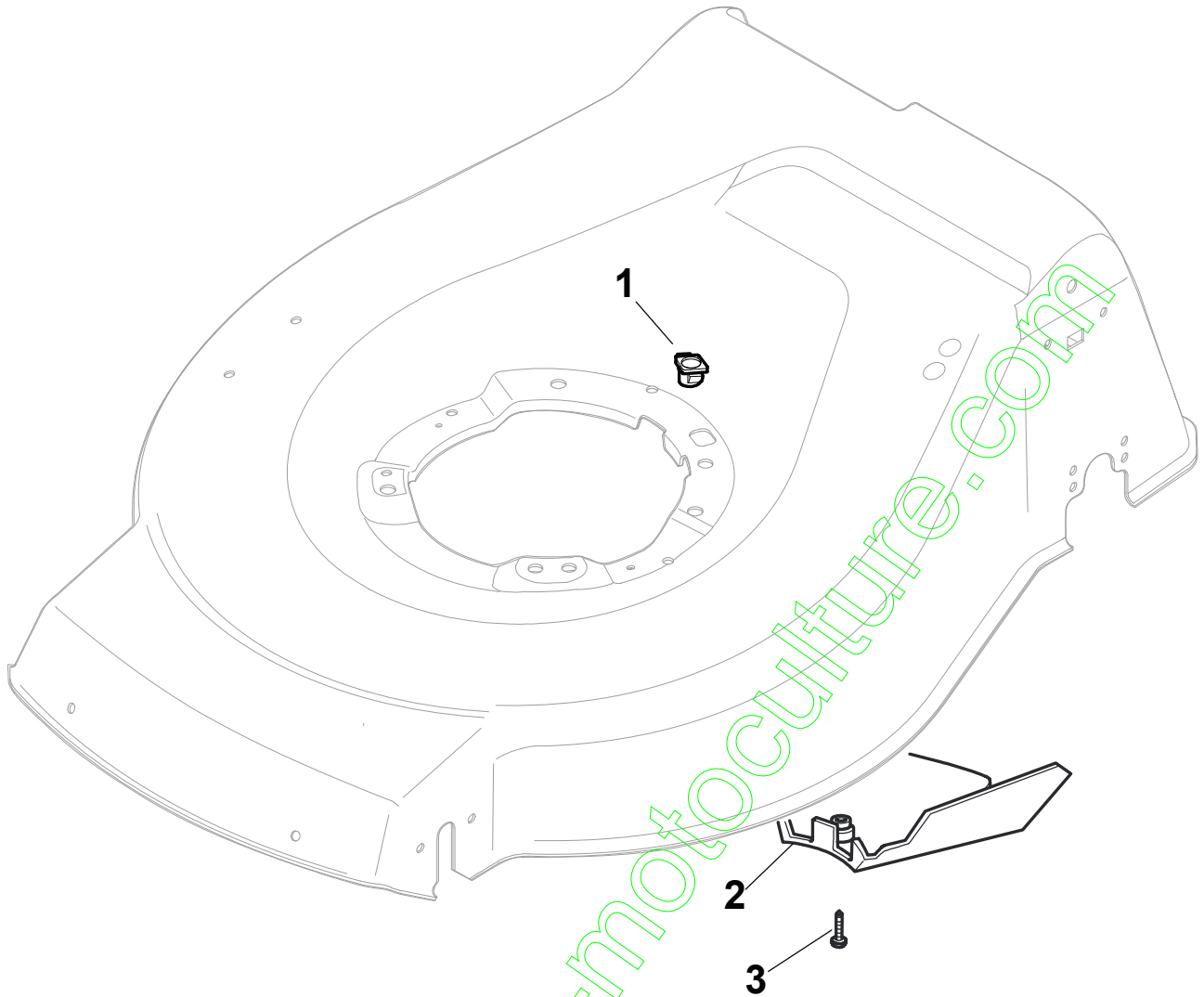
| N. | CODE | Q.TY | DESCRIZIONE | DESCRIPTION | DESCRIPTION | BESCHREIBUNG | REMARK |
|----|-------------|------|------------------------------|---------------------------|---------------------------|-------------------------|---|
| 1 | 81007160/0 | 1 | Cavo Acceleratore | Throttle Cable | Cable, Accelérateur | Gashebel Kabel | |
| 2 | 81007221/0 | 1 | Leva, Acceleratore | Lever, Throttle | Levier, | Hebel, Beshleuniger | (B&S 450-500 Series - GGP 150 cc) |
| 2 | 81007280/2 | 1 | Leva, Acceleratore | Lever, Throttle | Levier, | Hebel, Beshleuniger | (B&S 625-675-700 Series - Honda - GGP 140-160-196 cc) |
| 3 | 12735105/0 | 2 | Vite | Screw | Vis | Schraube | |
| 4 | 22981467/0 | 1 | Piastrina | Plate | Plaquette | Platte | |
| 5 | 12791500/0 | 1 | Vite | Screw | Vis | Schraube | |
| 6 | 12530060/0 | 1 | Rosetta Elastica | Elastic Washer | Rondelle Elastique | Elastische Scheibe | |
| 7 | 12523040/0 | 1 | Rosetta | Washer | Rondelle | Scheibe | |
| 8 | 12523040/0 | 1 | Rosetta | Washer | Rondelle | Scheibe | |
| 9 | 12154510/0 | 1 | Dado | Nut | Ecrou | Mutter | |
| 10 | 22120152/0 | 1 | Cruschetto Giallo | Dash Board Yellow | Console Jaune | Konsole Gelbe | |
| 10 | 22120154/0 | 1 | Cruschetto Rosso | Dash Board Red | Console Rouge | Konsole Rote | |
| 10 | 22120158/0 | 1 | Cruschetto Nero | Dash Board Black | Console Noire | Konsole Schwarze | |
| 11 | 114356743/1 | 1 | Etichetta | Label | Etiquette | Etikette | (GGP) |
| 11 | 114356743/1 | 1 | Etichetta | Label | Etiquette | Etikette | (Honda) |
| 11 | 114356744/1 | 1 | Etichetta | Label | Etiquette | Etikette | (B&S) |
| 11 | 114356906/1 | 1 | Etichetta | Label | Etiquette | Etikette | (B&S 700 series DOV) |
| 11 | 114357646/1 | 1 | Etichetta | Label | Etiquette | Etikette | (Honda GCV 160-190 Autochoke) |
| 12 | 22943006/0 | 1 | Vite | Screw | Vis | Schraube | |
| 13 | 12728460/0 | 1 | Vite | Screw | Vis | Schraube | |
| 14 | 81008609/0 | 1 | Dotazione Viteria Cruschetto | Outfit, Dash-Board Screws | Dotation Visserie Console | Satz, Konsole Schrauben | |



| N. | CODE | Q.TY | DESCRIZIONE | DESCRIPTION | DESCRIPTION | BESCHREIBUNG | REMARK |
|----|-------------|------|-------------------|------------------|------------------|---------------------|-------------|
| 1 | 22785123/0 | 1 | Supporto Batteria | Support, Battery | Support Batterie | Halter, Batterie | |
| 2 | 22109530/0 | 1 | Coperchio | Cover | Couvercle | Deckel | |
| 3 | 12521310/0 | 2 | Rondella | Washer | Rondelle | Scheibe | |
| 4 | 12731590/0 | 2 | Vite | Screw | Vis | Schraube | |
| 5 | 18120052/0 | 1 | Batteria | Battery | Batterie | Batterie | |
| 6 | 18204120/0 | 1 | Carica Batteria | Battery Charger | Chargeur De | Ladgerät | (CE) |
| 6 | 18204121/0 | 1 | Carica Batteria | Battery Charger | Chargeur De | Ladgerät | (Uk) |
| 7 | 18450050/0 | 1 | Interruttore | Switch | Interrupteur | Schalter | |
| 8 | 118204192/3 | 1 | Cavo Avviamento | Cable, Start | Cable Démarrage | Kabel, Start | (B&S - GGP) |
| 8 | 18204198/0 | 1 | Cavo Avviamento | Cable, Start | Cable Démarrage | Kabel, Start | (Honda) |
| 9 | 18210016/1 | 1 | Chiave Avviamento | Starting Key | Clef A Demarrage | Schlüssel Für Start | |

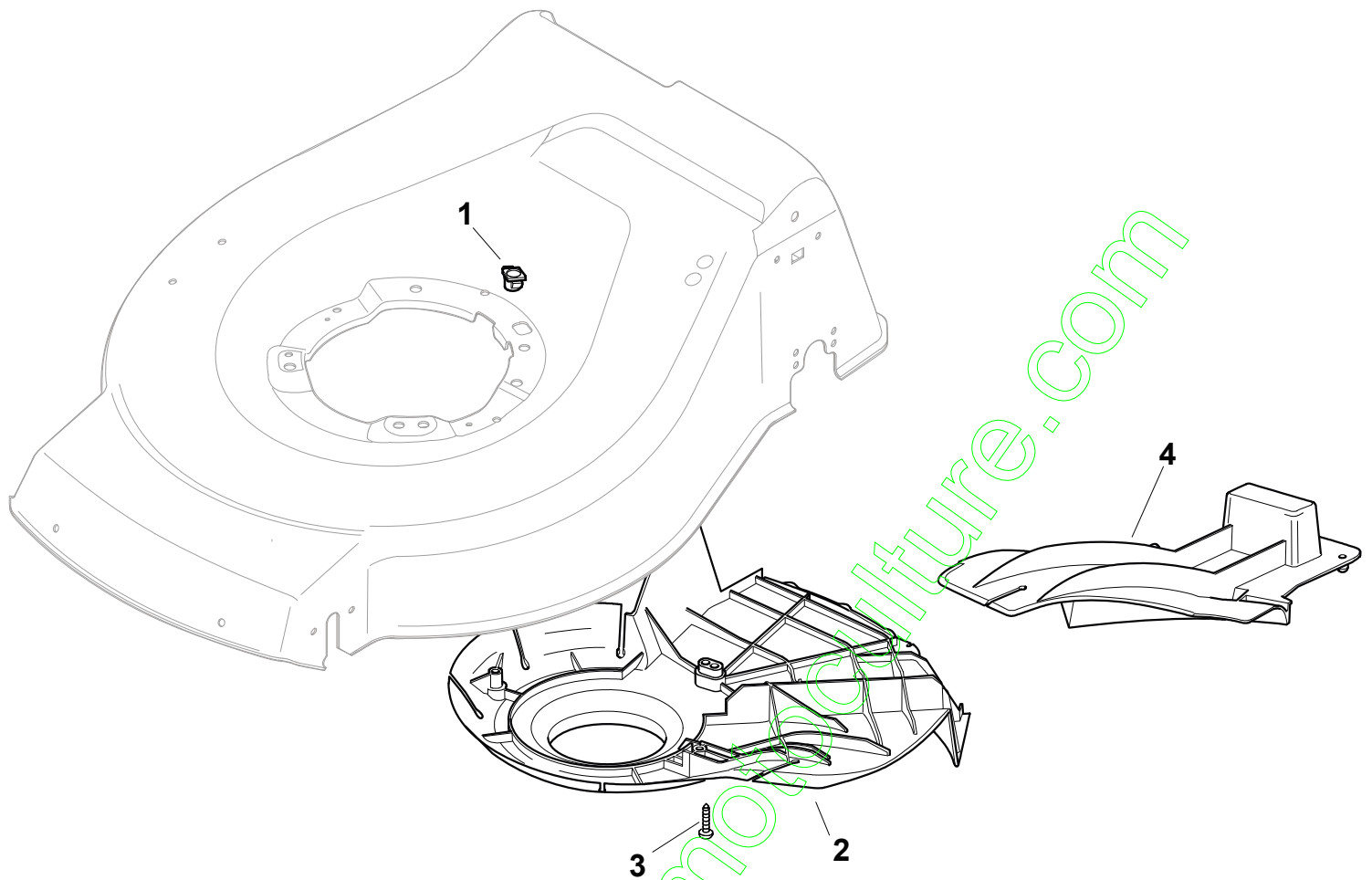


| N. | CODE | Q.TY | DESCRIZIONE | DESCRIPTION | DESCRIPTION | BESCHREIBUNG | REMARK |
|----|------------|------|------------------|----------------|-----------------|-------------------|--------|
| 1 | 12608600/0 | 2 | Seeger | Seeger | Seeger | Seeger | |
| 2 | 19216035/0 | 2 | Cuscinetto | Bearing | Coussinet | Lager | |
| 3 | 22753000/0 | 2 | Spina | Pin | Goupille | Stift | |
| 5 | 81003092/0 | 1 | Gruppo Trazione | Gear Box | Groupe Traction | Antrieb | |
| 6 | 22601904/0 | 1 | Puleggia | Pulley | Poulie | Riemenscheibe | |
| 7 | 12645700/0 | 1 | Spina | Pin | Goupille | Stift | |
| 8 | 22033283/0 | 1 | Asta Regolazione | Adjustment Rod | Tige Reglage | Verstellungstange | |
| 9 | 35063902/0 | 1 | Cinghia Z 29.5 | Belt Z 29.5 | Courroie Z 29.5 | Riemen Z 29.5 | |
| 11 | 22041957/1 | 1 | Bussola | Bush | Douille | Buchse | |
| 12 | 22450063/0 | 1 | Molla | Spring | Ressort | Feder | |
| 13 | 22680009/0 | 1 | Rosetta | Washer | Rondelle | Scheibe | |
| 14 | 12154510/0 | 1 | Dado | Nut | Ecrou | Mutter | |
| 15 | 22110230/0 | 1 | Tappo | Cap | Bouchon | Gummistopfen | |



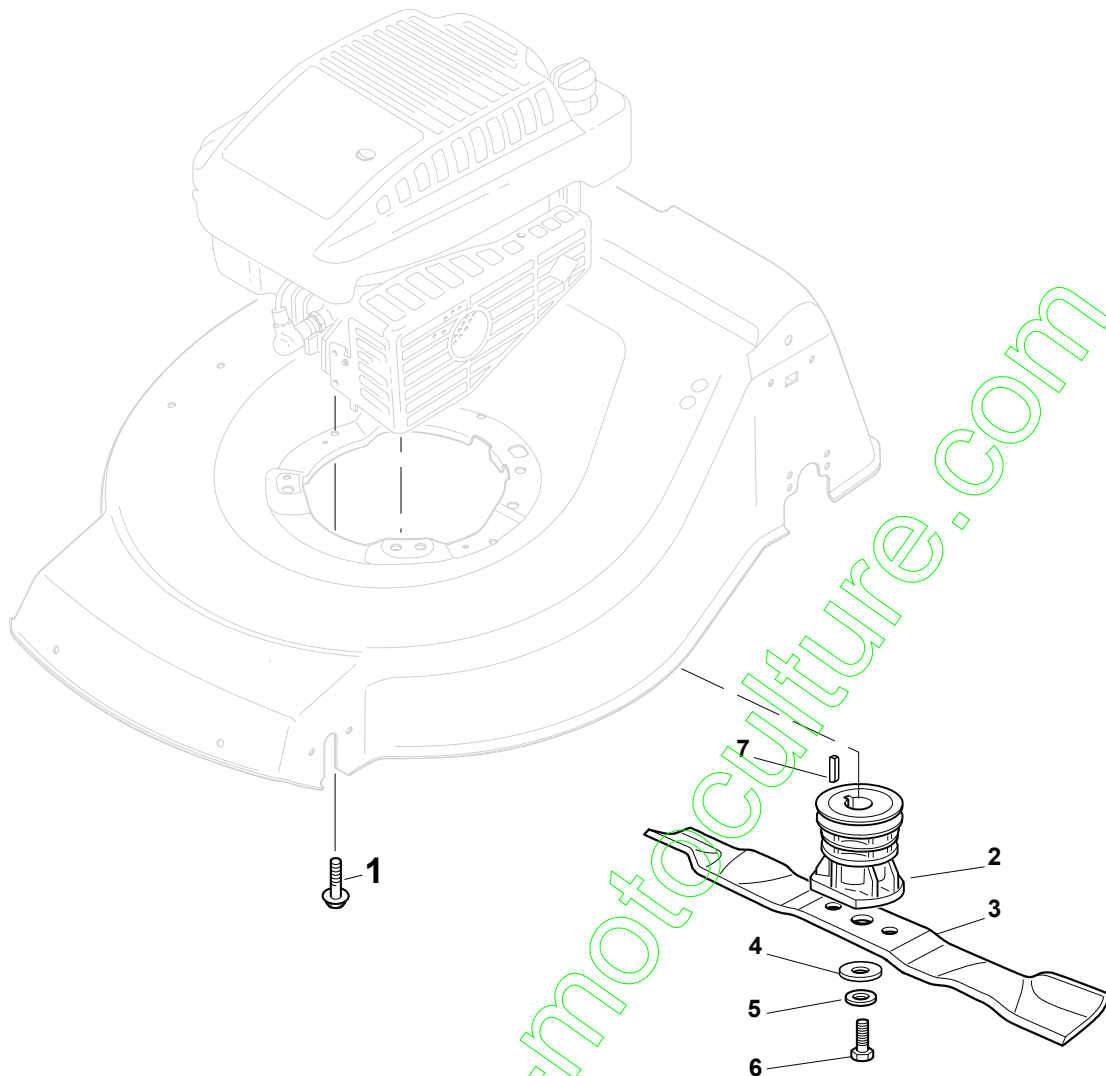
| N. | CODE | Q.TY | DESCRIZIONE | DESCRIPTION | DESCRIPTION | BESCHREIBUNG | REMARK |
|----|------------|------|------------------|------------------|-------------|----------------|--------|
| 1 | 22291150/0 | 1 | Inserto In Gomma | Rubber Insert | Insert De | Gummi Einsatz | |
| 2 | 22060193/0 | 1 | Carter Cinghia | Protection, Bell | Protection | Schutz, Riemen | |
| 3 | 12728530/0 | 1 | Vite | Screw | Vis | Schraube | |

contact@eng-motoculture.com

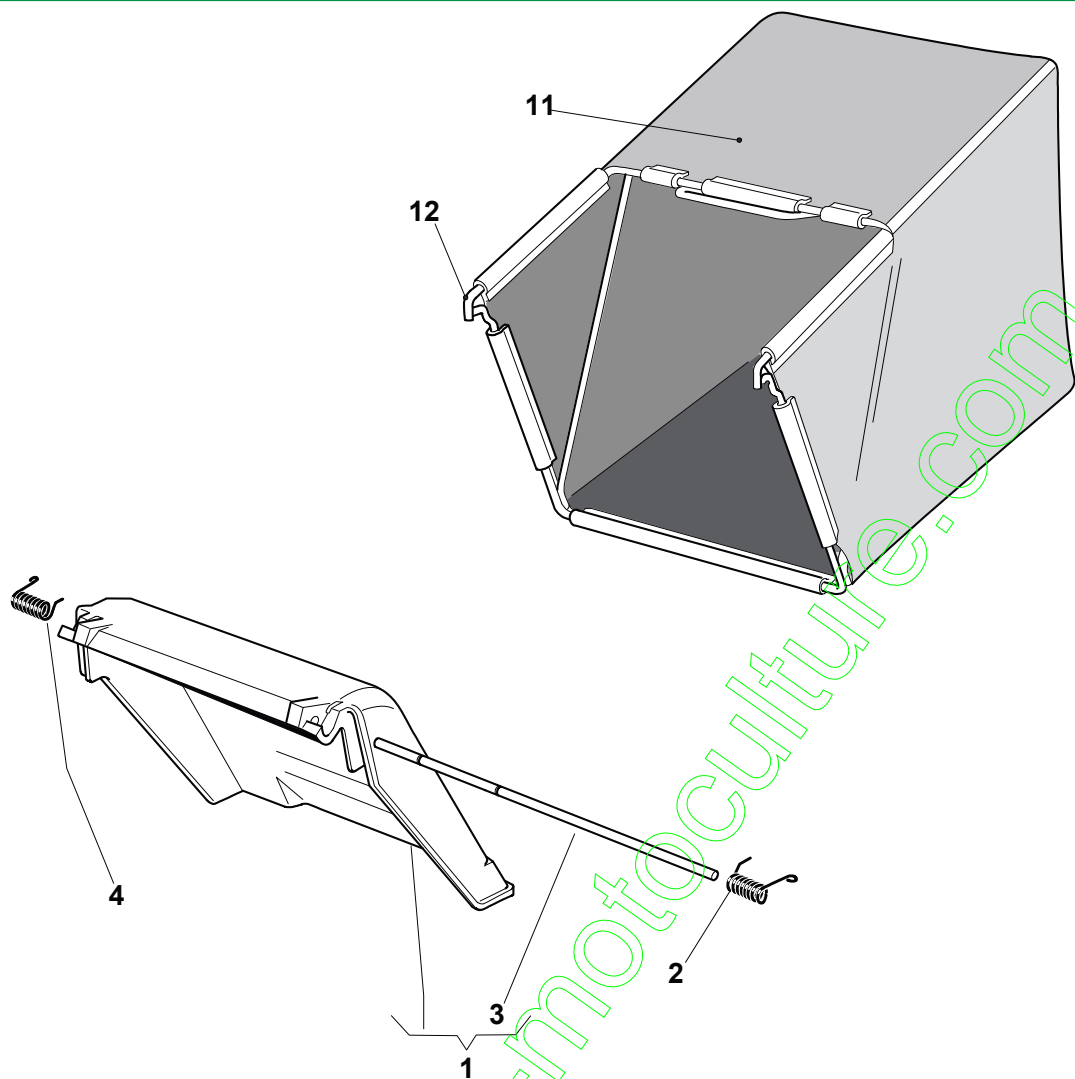


| N. | CODE | Q.TY | DESCRIZIONE | DESCRIPTION | DESCRIPTION | BESCHREIBUNG | REMARK |
|----|-------------|------|------------------|------------------|-------------|----------------|--------------|
| 1 | 22291150/0 | 1 | Inserto In Gomma | Rubber Insert | Insert De | Gummi Einsatz | |
| 2 | 322060197/2 | 1 | Carter Cinghia | Protection, Belt | Protection | Schutz, Riemen | |
| 2 | 322060238/0 | 1 | Carter Cinghia | Protection, Belt | Protection | Schutz, Riemen | only for BBC |
| 3 | 12728530/0 | 3 | Vite | Screw | Vis | Schraube | |
| 4 | 22140222/0 | 1 | Deflettore | Deflector | Deflecteur | Deflektor | |

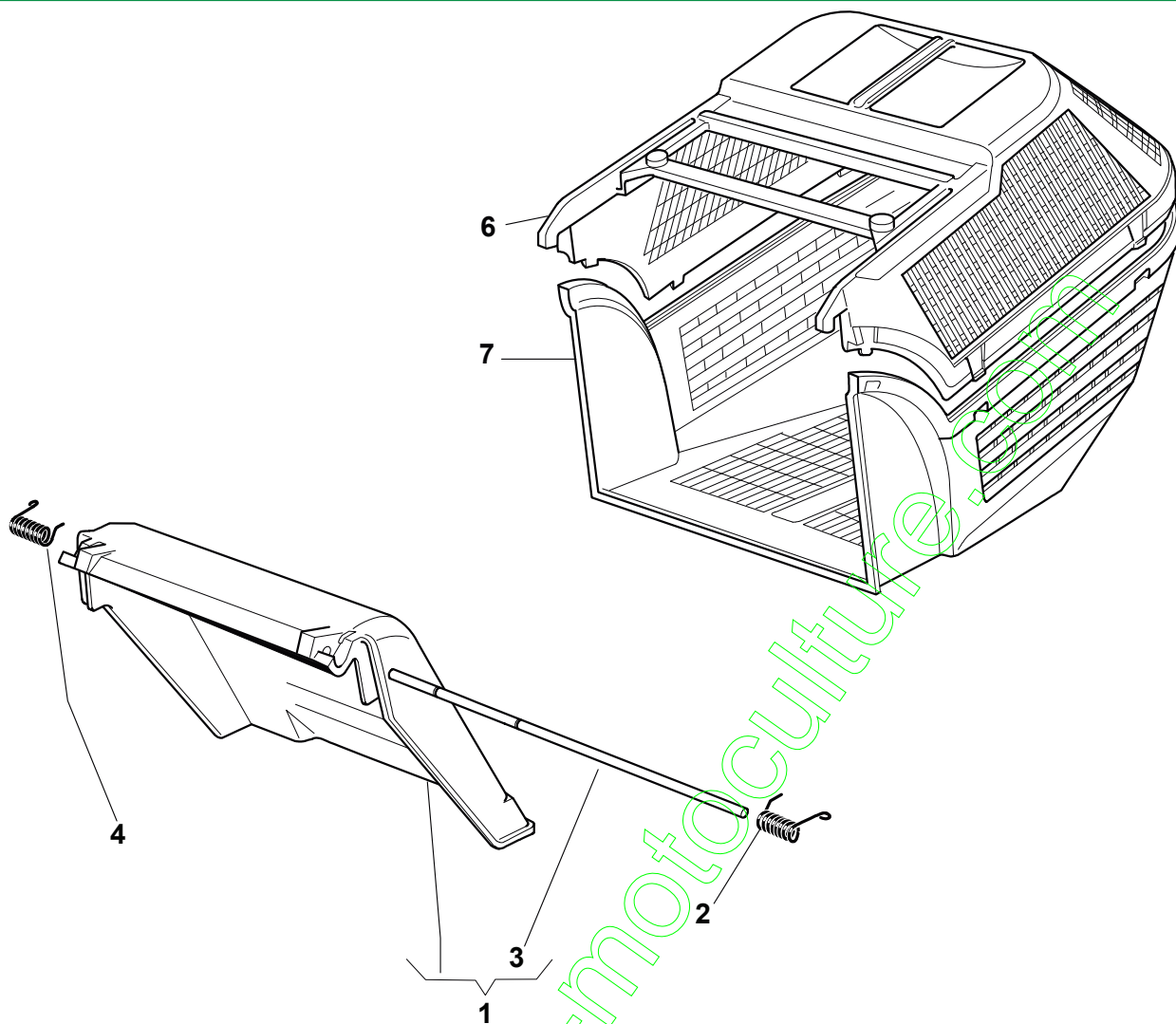
contact@eng-motoculture.com



| N. | CODE | Q.TY | DESCRIZIONE | DESCRIPTION | DESCRIPTION | BESCHREIBUNG | REMARK |
|----|-------------|------|---------------------------------|----------------------------|-------------------------------|---------------------------|-------------|
| 1 | 112735108/1 | 2 | Vite | Screw | Vis | Schraube | (GGP 196cc) |
| 1 | 112735108/1 | 3 | Vite | Screw | Vis | Schraube | |
| 1 | 112735109/1 | 1 | Vite | Screw | Vis | Schraube | (GGP 196cc) |
| 2 | 122465607/3 | 1 | Mozzo, Albero Motore Ø 22.2 | Hub, Crankshaft Ø 22.2 | Moyeu, Arbre Moteur Ø 22.2 | Halter, Motorwelle Ø 22.2 | (B&S/GGP) |
| 2 | 122465608/2 | 1 | Mozzo, Albero Motore Ø 25 | Hub, Crankshaft Ø 25 | Moyeu, Arbre Moteur Ø 25 | Halter, Motorwelle Ø 25 | (Honda) |
| 3 | 81004381/1 | 1 | Coltello Standard | Blade Standard | Lame Standard | Messer Standard | |
| 4 | 22160400/0 | 1 | Disco Elastico | Elastic Washer | Rondelle Elastique | Elastischescheibe | |
| 5 | 12523080/0 | 1 | Rosetta | Washer | Rondelle | Scheibe | |
| 6 | 12735698/0 | 1 | Vite | Screw | Vis | Schraube | |
| 7 | 12139100/0 | 1 | Linguetta, Albero Motore Ø 22.2 | Feather, Crankshaft Ø 22.2 | Clavette, Arbre Moteur Ø 22.2 | Keil, Motorwelle Ø 22.2 | (B&S/GGP) |
| 7 | 12139150/0 | 1 | Linguetta, Albero Motore Ø 25 | Feather, Crankshaft Ø 25 | Clavette, Arbre Moteur Ø 25 | Keil, Motorwelle Ø 25 | (Honda) |

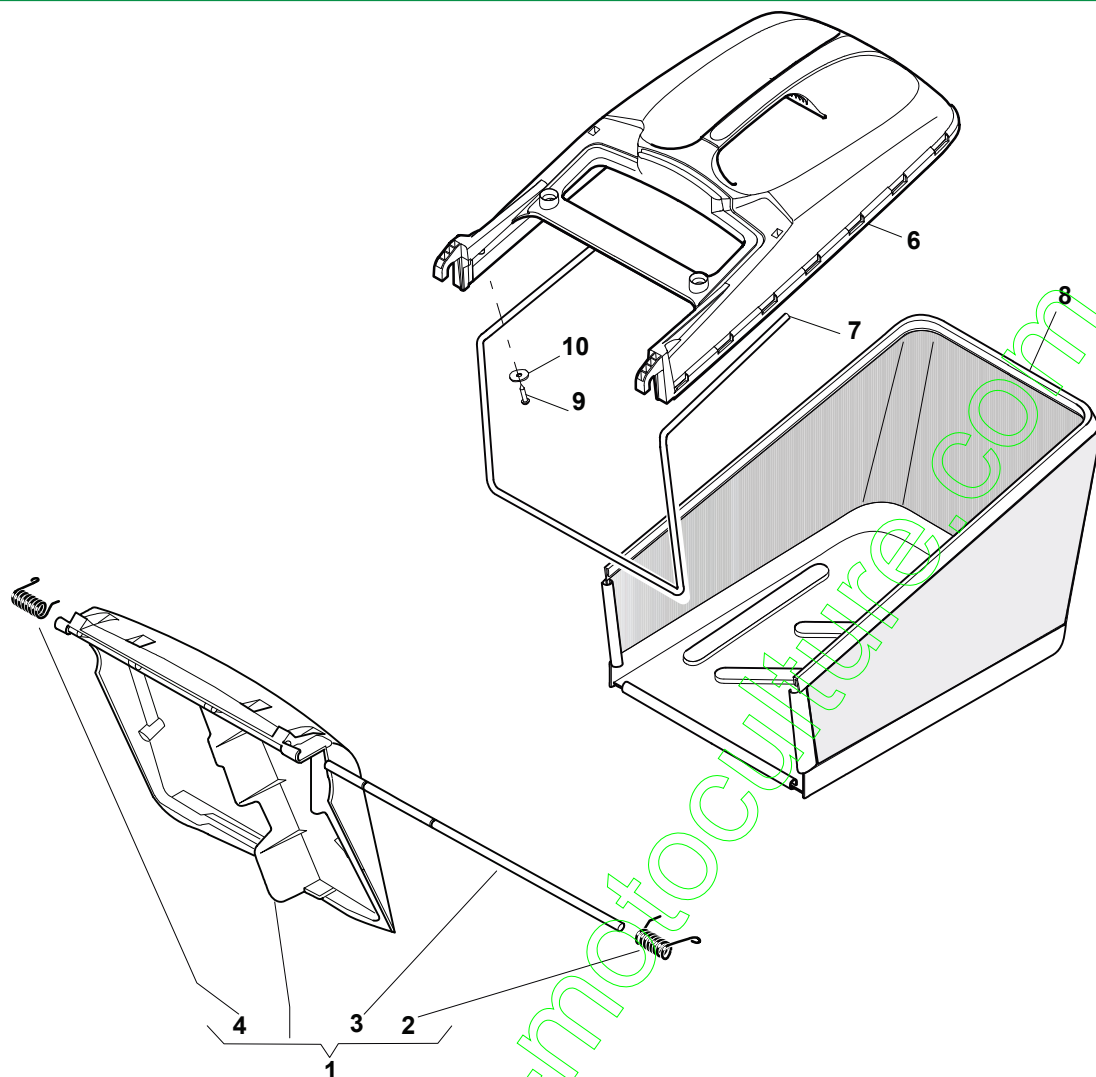


| N. | CODE | Q.TY | DESCRIZIONE | DESCRIPTION | DESCRIPTION | BESCHREIBUNG | REMARK |
|----|-------------|------|------------------|------------------|------------------------|----------------|--------|
| 1 | 381007308/2 | 1 | Parasassi | Stone-Guard | Pare-Pierres | Prallblech | |
| 2 | 122450466/0 | 1 | Molla Sx | L Spring | Ressort G | Linke Feder | |
| 3 | 122517882/0 | 1 | Perno | Pin | Pivot | Bolzen | |
| 4 | 122450465/0 | 1 | Molla Dx | R Spring | Ressort D | Rechte Feder | |
| 6 | 322486073/1 | 1 | Sacco, Parte Sup | Grass-Box, Upper | Sac, Partie Superieure | Korb, Oberteil | |
| 11 | 81002105/2 | 1 | Sacco, Tela | Box, Fabric | Sac, Toile | Sack, Tuck | |
| 12 | 81006418/0 | 1 | Telaio Sacco | Chassis Box | Châssis Bac | Rahmen Sack | |

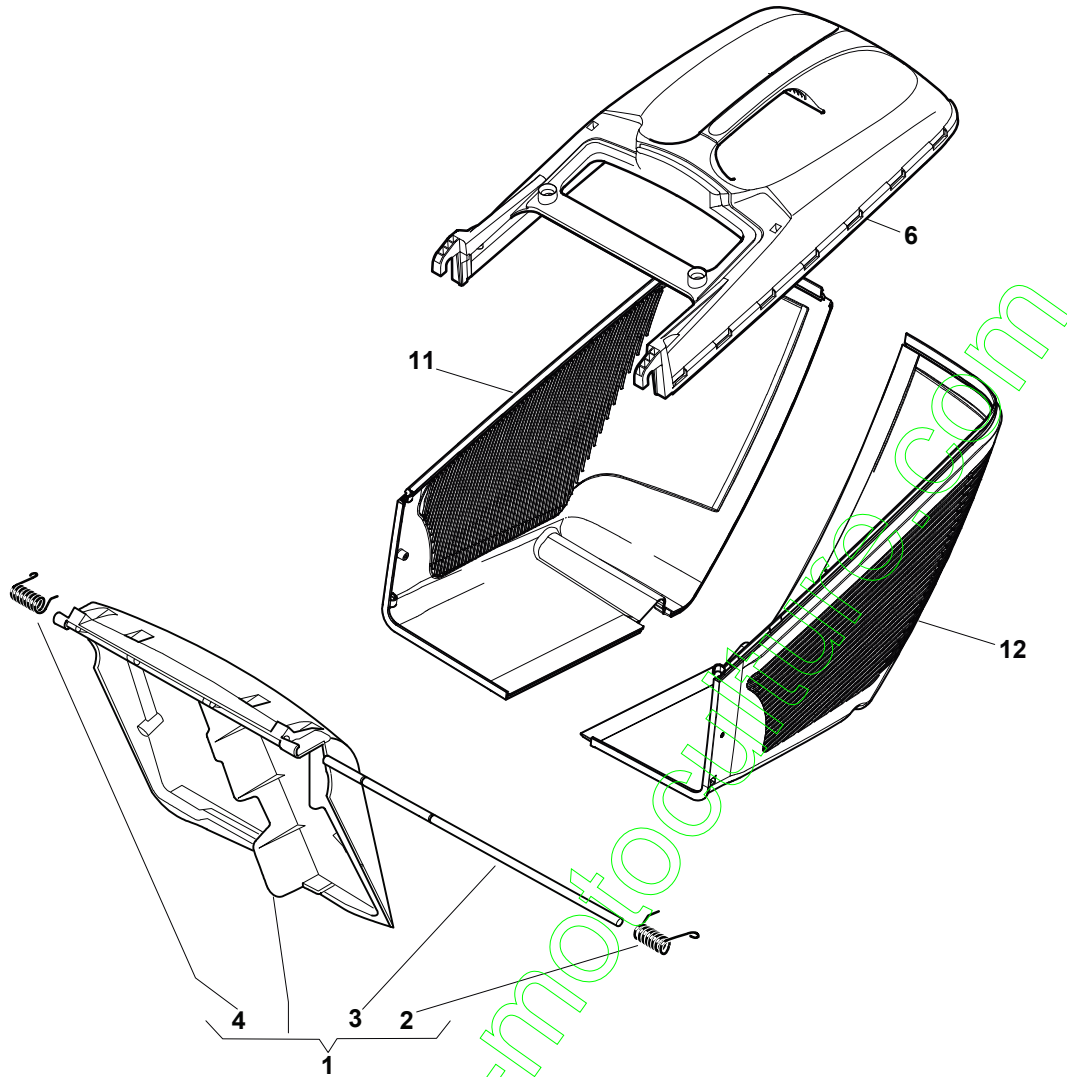


| N. | CODE | Q.TY | DESCRIZIONE | DESCRIPTION | DESCRIPTION | BESCHREIBUNG | REMARK |
|----|-------------|------|------------------|------------------|------------------------|-----------------|--------|
| 1 | 381007308/2 | 1 | Parasassi | Stone-Guard | Pare-Pierres | Prallblech | |
| 2 | 122450466/0 | 1 | Molla Sx | L Spring | Ressort G | Linke Feder | |
| 3 | 122517882/0 | 1 | Perno | Pin | Pivot | Bolzen | |
| 4 | 122450465/0 | 1 | Molla Dx | R Spring | Ressort D | Rechte Feder | |
| 6 | 322486073/1 | 1 | Sacco, Parte Sup | Grass-Box, Upper | Sac, Partie Superieure | Korb, Oberteil | |
| 7 | 22486074/0 | 1 | Sacco, Parte Inf | Grass-Box, Lower | Sac, Partie Inferieure | Korb, Unterteil | |

contact@emo-motoculture



| N. | CODE | Q.TY | DESCRIZIONE | DESCRIPTION | DESCRIPTION | BESCHREIBUNG | REMARK |
|----|-------------|------|------------------|------------------|-------------------|----------------|--------|
| 1 | 381008081/0 | 1 | Parasassi | Stone-Guard | Pare-Pierres | Prallblech | |
| 2 | 122450466/0 | 1 | Molla Sx | L Spring | Ressort G | Linke Feder | |
| 3 | 122517882/0 | 1 | Perno | Pin | Pivot | Bolzen | |
| 4 | 122450465/0 | 1 | Molla Dx | R Spring | Ressort D | Rechte Feder | |
| 6 | 22486101/0 | 1 | Sacco, Parte Sup | Grass-Box, Upper | Sac, Partie | Korb, Oberteil | |
| 7 | 22608525/0 | 1 | Rinforzo Inf | Stiffening Lower | Réinforcement Inf | Verstärkung | |
| 8 | 81002211/0 | 1 | Sacco, Tela | Box, Fabric | Sac, Toile | Sack, Tuck | |
| 9 | 12728680/0 | 2 | Vite | Screw | Vis | Schraube | |
| 10 | 12523050/0 | 2 | Rosetta | Washer | Rondelle | Scheibe | |



| N. | CODE | Q.TY | DESCRIZIONE | DESCRIPTION | DESCRIPTION | BESCHREIBUNG | REMARK |
|----|-------------|------|---------------------|--------------------|--------------------------|-------------------|--------|
| 1 | 381008081/1 | 1 | Parasassi | Stone-Guard | Pare-Pierres | Prallblech | |
| 2 | 122450466/0 | 1 | Molla Sx | L Spring | Ressort G | Linke Feder | |
| 3 | 122517882/0 | 1 | Perno | Pin | Pivot | Bolzen | |
| 4 | 122450465/0 | 1 | Molla Dx | R Spring | Ressort D | Rechte Feder | |
| 6 | 22486101/0 | 1 | Sacco, Parte Sup | Grass-Box, Upper | Sac, Partie | Korb, Oberteil | |
| 11 | 322486150/1 | 1 | Sacco, Parte Inf Dx | Grass-Box, R Lower | Sac, Partie Inferieure D | Korb, R Unterteil | |
| 12 | 322486151/1 | 1 | Sacco, Parte Inf Sx | Grass-Box, L Lower | Sac, Partie Inferieure G | Korb, L Unterteil | |