

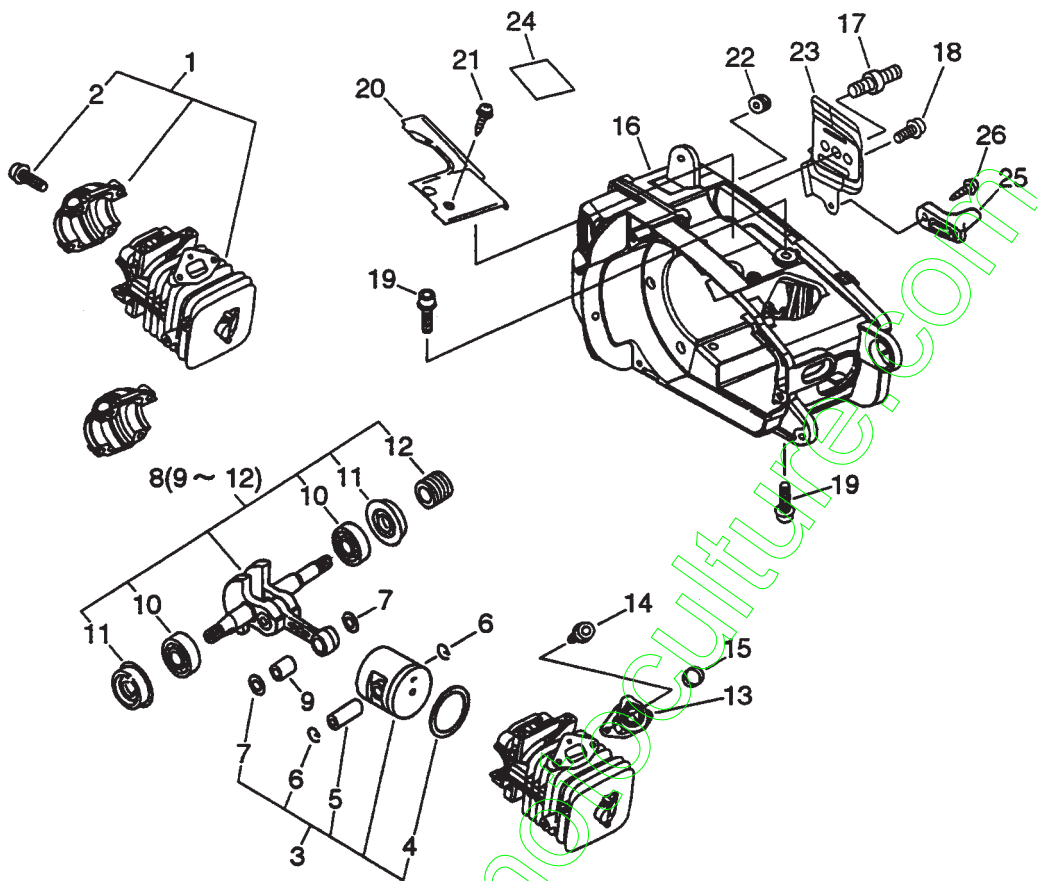
**ECHO.**

**CATALOGUE DE PIECE**

**ECHO  
TRONÇONNEUSE  
CS-2600**

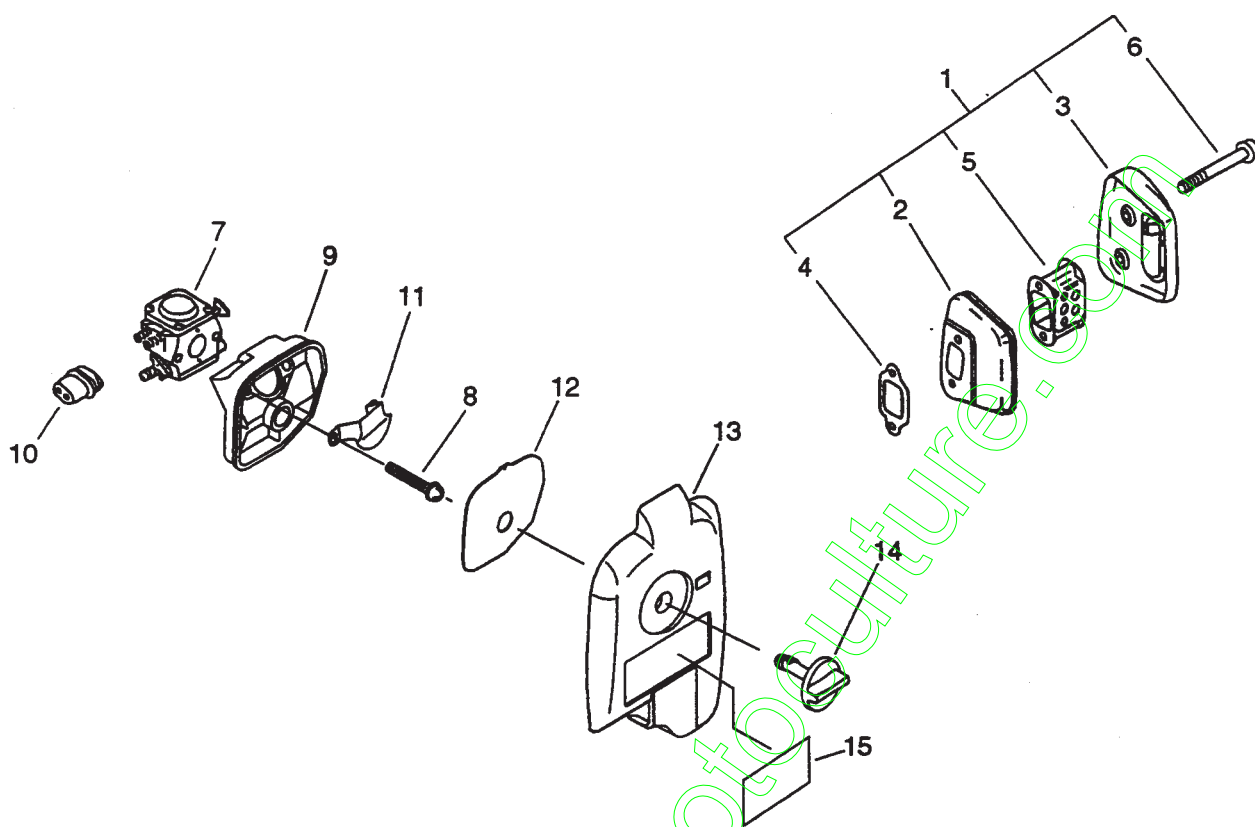
[contact@emc-motoculture.com](mailto:contact@emc-motoculture.com)

**CE**

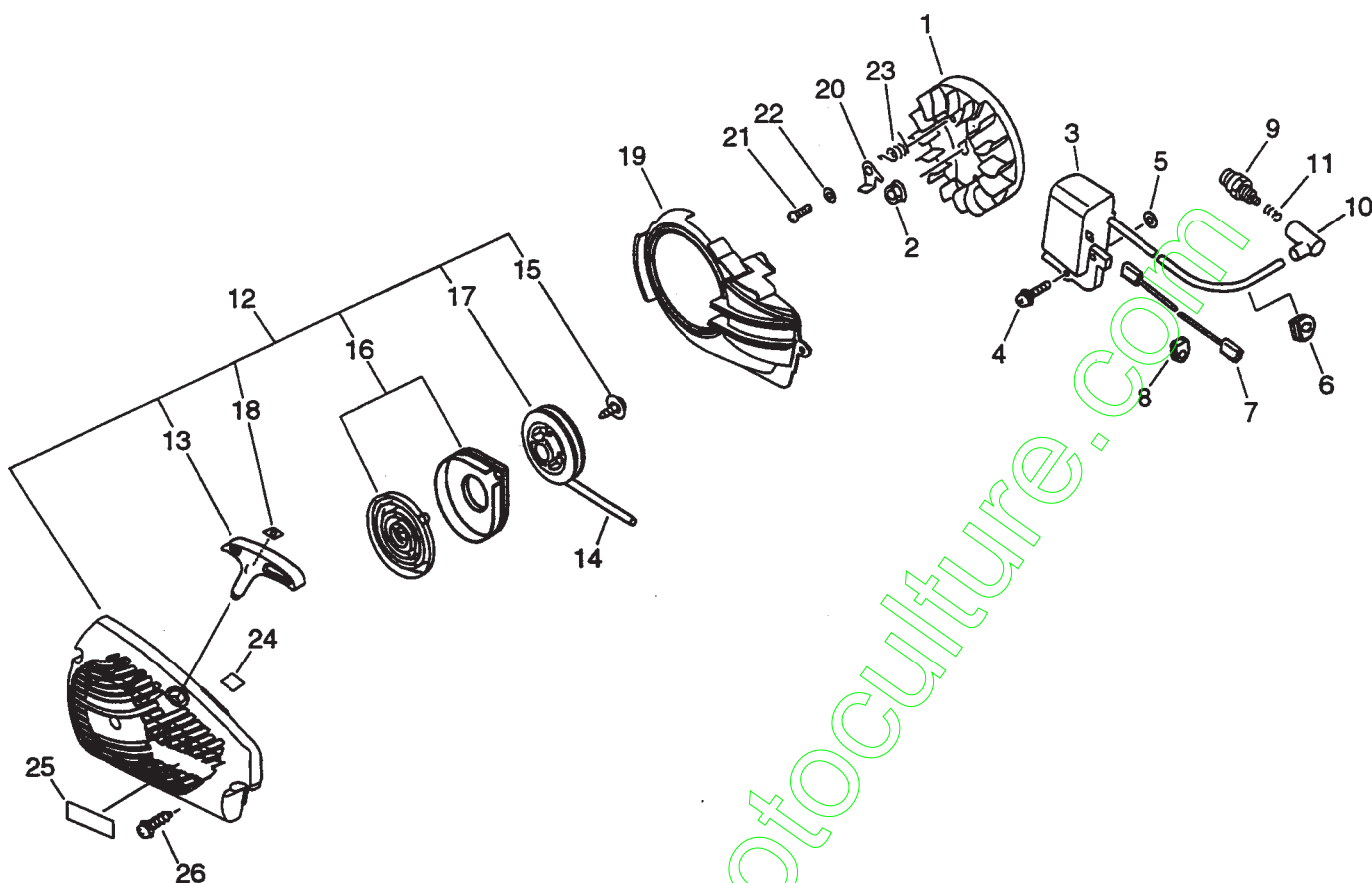


| CLE | NR. DE PIECE   | QTE | DESIGNATION          | REMARQUES |
|-----|----------------|-----|----------------------|-----------|
| 1   | P021-001890    | 1   | CARTER CPLT          |           |
| 2   | + 900106-05020 | 4   | BOULON               |           |
| 3   | P021-001900    | 1   | KIT PISTON           |           |
| 4   | + 100011-05731 | 1   | SEGMENT              |           |
| 5   | + 100013-22330 | 1   | AXE DE PISTON        |           |
| 6   | + 100015-04630 | 2   | JONC, AXE DE PISTON  |           |
| 7   | + 100014-11520 | 2   | ENTRETOISE           |           |
| 8   | P021-001920    | 1   | EMBIELLAGE           |           |
| 9   | + V553-000010  | 1   | ROULEMENT A AIGUILLE |           |
| 10  | + 900800-36001 | 2   | ROULEMENT A BILLES   |           |
| 11  | + V505-000000  | 2   | JOINT D'ETANCHEITE   |           |
| 12  | + V652-000010  | 1   | ENGRENAGE, SANS FIN  |           |
| 13  | A202-000000    | 1   | ADAPTEUR             |           |
| 14  | 900162-04012   | 2   | BOULON               |           |
| 15  | V358-000020    | 1   | MANCHON              |           |
| 16  | A190-000050    | 1   | COUVERCLE LATERAL    |           |
| 17  | V225-000030    | 1   | GOUJON               |           |
| 18  | V202-000010    | 2   | VIS TARAUDAGE        |           |
| 19  | 900106-05016   | 4   | BOULON               |           |
| 20  | A127-000020    | 1   | GRILLE               |           |
| 21  | 900253-04012   | 2   | VIS TARAUDAGE        |           |
| 22  | 163911-30130   | 1   | BOUCHON              |           |
| 23  | C305-000020    | 1   | PLAQUE               |           |
| 24  | X505-000370    | 1   | ETIQUETTE            |           |
| 25  | 433026-35430   | 1   | CAPTAGE DE CHAINE    |           |
| 26  | 900253-05020   | 1   | VIS TARAUDAGE        |           |

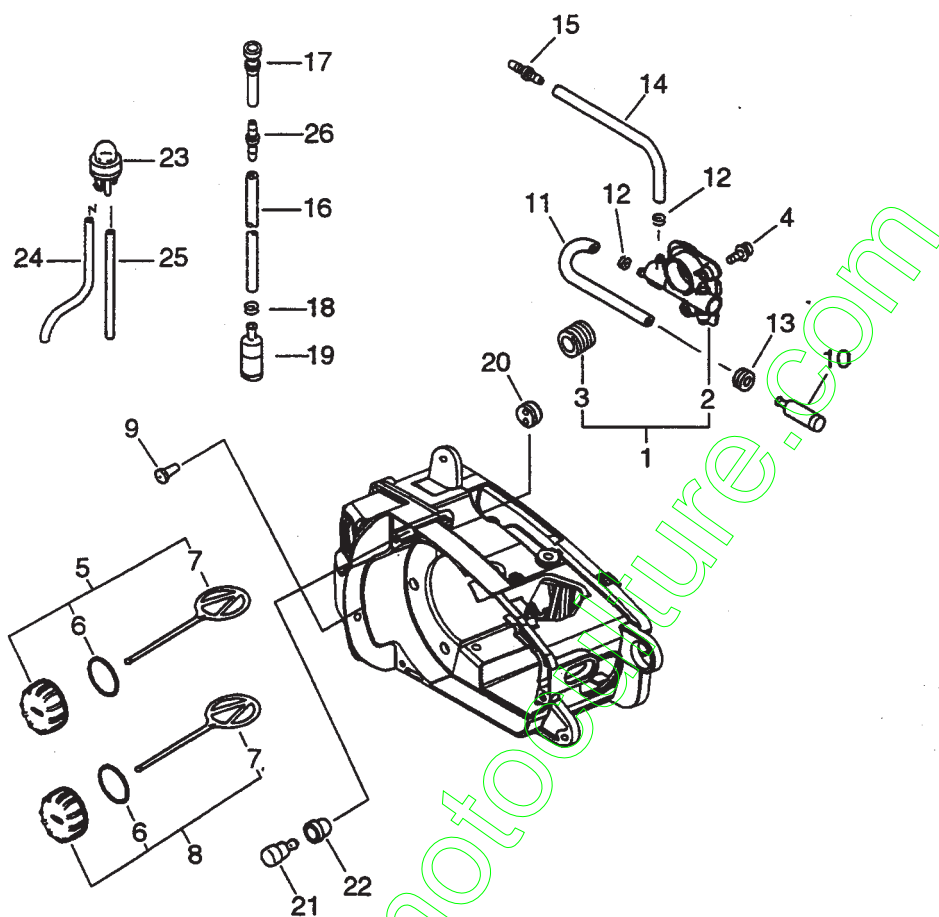
# CS-2600 2



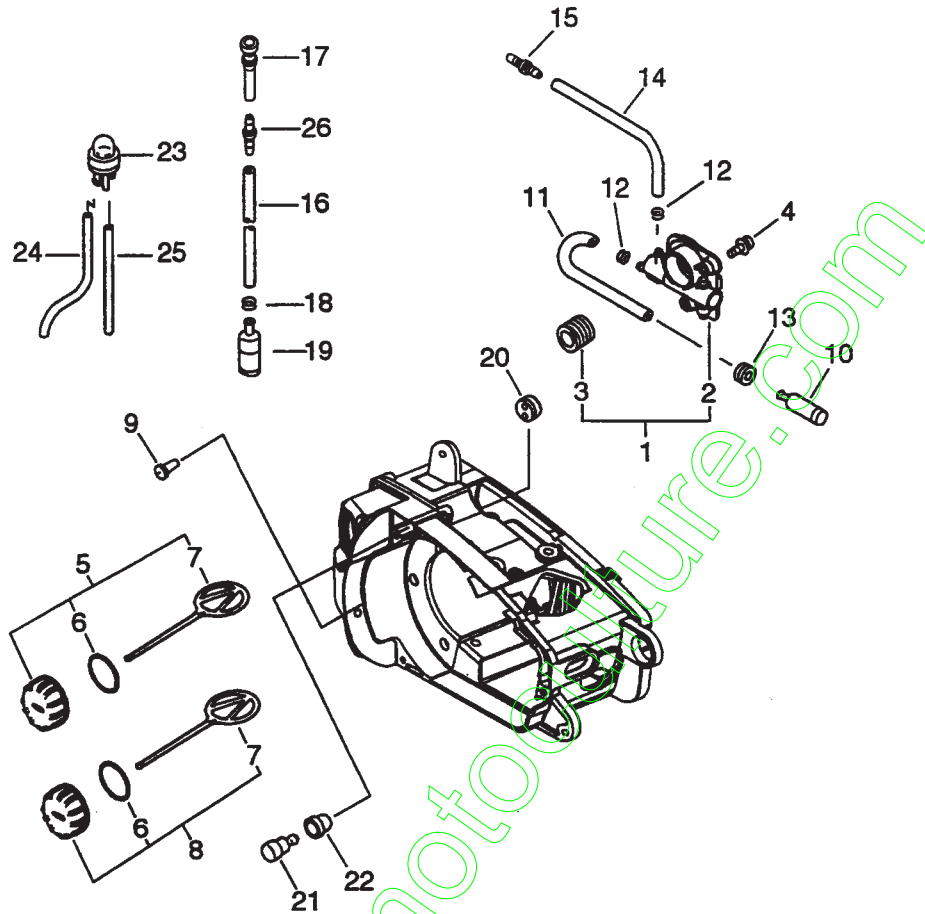
| CLE | NR. DE PIECE   | QTE | DESIGNATION       | REMARQUES |
|-----|----------------|-----|-------------------|-----------|
| 1   | P021-001930    | 1   | POT D'ECHPT, CPLT |           |
| 2   | + A300-000130  | 1   | POT D'ECHAPPEMENT |           |
| 3   | + A303-000000  | 1   | CAPUCHON          |           |
| 4   | + 145510-13931 | 1   | JOINT DE POT      |           |
| 5   | + A301-000000  | 1   | AMORTISSEUR       |           |
| 6   | + 91107-05040  | 2   | BOURON            |           |
| 7   | A021-000210    | 1   | CARBURATEUR       |           |
| 8   | 900238-05050   | 2   | VIS               |           |
| 9   | A225-000020    | 1   | BOITIER           |           |
| 10  | 129010-33330   | 1   | PASSE-TIGE        |           |
| 11  | A244-000000    | 1   | BOUCHON           |           |
| 12  | A226-000050    | 1   | FILTRE A AIR      |           |
| 13  | A232-000060    | 1   | CAPOT             |           |
| 14  | A235-000040    | 1   | BOUTON            |           |
| 15  | X503-001520    | 1   | ETIQUETTE         |           |



| CLE | NR. DE PIECE   | QTE | DESIGNATION          | REMARQUES |
|-----|----------------|-----|----------------------|-----------|
| 1   | A409-000040    | 1   | ROTOR                |           |
| 2   | 900515-00008   | 1   | ECROU                |           |
| 3   | A411-000040    | 1   | BOBINE D'ALLUMAGE    |           |
| 4   | 900238-05022   | 2   | VIS                  |           |
| 5   | 150117-16430   | 2   | ENTRETOISE           |           |
| 6   | 156110-04920   | 1   | PASSE-FIL            |           |
| 7   | V485-000140    | 1   | FIL DE MASSE         |           |
| 8   | 156114-07320   | 1   | BAGUE                |           |
| 9   | 159010-10230   | 1   | BOUGIE D'ALLUMAGE    |           |
| 10  | 159012-01620   | 1   | COIFFE               |           |
| 11  | 159011-03432   | 1   | RESSORT, COIFFE      |           |
| 12  | A051-000030    | 1   | LANCEUR CPLT         |           |
| 13  | + P022-001320  | 1   | POIGNEE, LANCEUR     |           |
| 14  | + 177226-60930 | 1   | CORDE, LANCEUR       |           |
| 15  | + 177236-44330 | 1   | VIS                  |           |
| 16  | + P022-001330  | 1   | RESSORT SPIRAL       |           |
| 17  | + 177215-60930 | 1   | POULIE, LANCEUR      |           |
| 18  | + P022-001350  | 1   | ARRACHE              |           |
| 19  | A172-000110    | 1   | COUVERCLE, VENTILATE |           |
| 20  | A514-000000    | 2   | CLIQUET              |           |
| 21  | 900216-05016   | 2   | VIS                  |           |
| 22  | 900603-00005   | 2   | RONDILLE             |           |
| 23  | V452-000030    | 2   | RESSORT, CLIQUET     |           |
| 24  | 890631-38230   | 1   | ETIQUETTE            |           |
| 25  | X502-000020    | 1   | ETIQUETTE            |           |
| 26  | 900256-04016   | 3   | VIS                  |           |

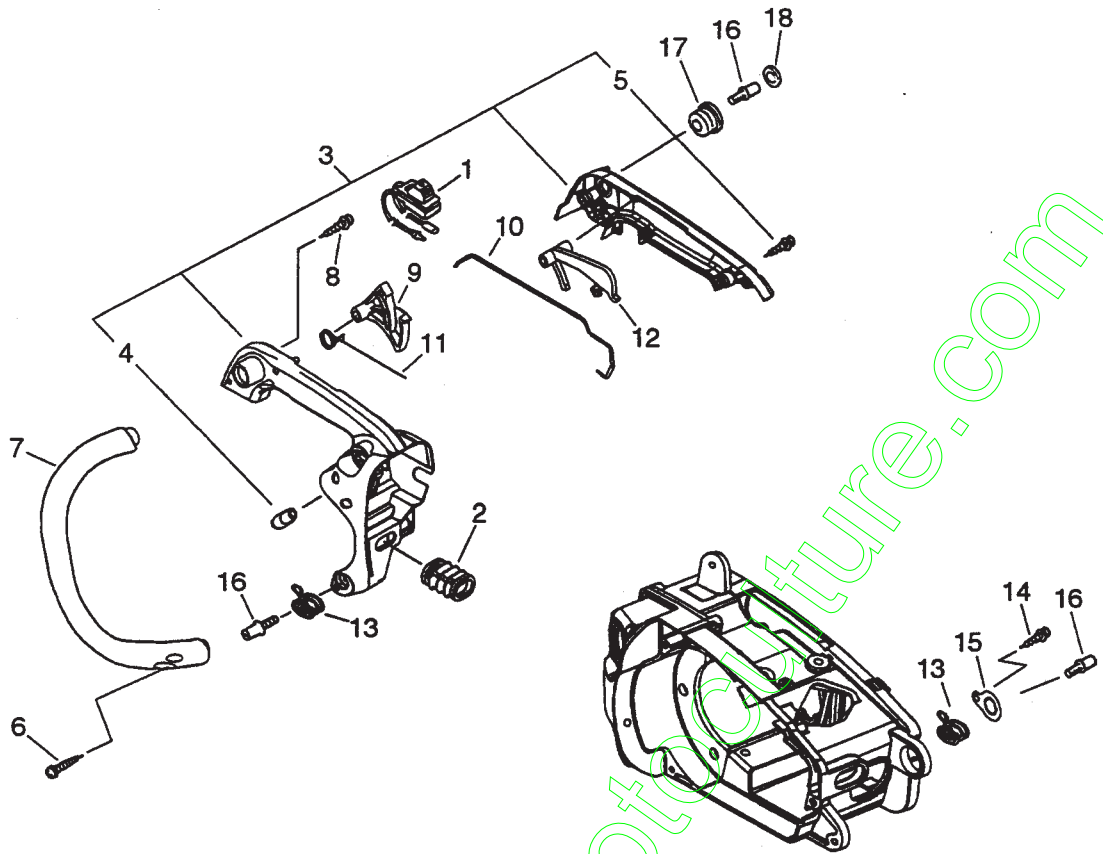


| CLE | NR. DE PIECE   | QTE | DESIGNATION           | REMARQUES |
|-----|----------------|-----|-----------------------|-----------|
| 1   | P021-001980    | 1   | GRAISSAGE AUTOMATIQUE |           |
| 2   | + C022-000000  | 1   | GRAISSAGE AUTOMATIQUE |           |
| 3   | + V652-000010  | 1   | ENGRENAGE, SANS FIN   |           |
| 4   | 900238-04012   | 2   | VIS                   |           |
| 5   | P021-001990    | 1   | BOUCHON ESS, CPLT     |           |
| 6   | + 900720-00018 | 1   | JOINT TORIQUE         |           |
| 7   | + 131051-19830 | 1   | RACCORD-DE-BLOCAGE    |           |
| 8   | P021-002000    | 1   | BOUCHON CPLT          |           |
| 6   | + 900720-00018 | 1   | JOINT TORIQUE         |           |
| 7   | + 131051-19830 | 1   | RACCORD-DE-BLOCAGE    |           |
| 9   | 436114-13930   | 1   | SOUPAPE               |           |
| 10  | 436205-02832   | 1   | PLONGEUR, HUILE       |           |
| 11  | 132010-22130   | 1   | TUYAU, CARBURANT      |           |
| 12  | 132013-26630   | 2   | CLIP                  |           |
| 13  | 132115-01461   | 1   | PASSE-TIGE            |           |
| 14  | 132012-11960   | 1   | TUYAU, CARBURANT      |           |
| 15  | V187-000010    | 1   | RACCORD               |           |
| 16  | 132010-11520   | 1   | TUYAU, CARBURANT      |           |
| 17  | V470-000320    | 1   | TUYAU, CARBURANT      |           |
| 18  | 132013-09820   | 1   | CLIP                  |           |
| 19  | 131205-14930   | 1   | PLONGEUR              |           |
| 20  | 132115-44330   | 1   | PASSE-TIGE            |           |
| 21  | 131300-56430   | 1   | EVENT CPLT            |           |
| 22  | V137-000000    | 1   | COUVERCLE, EVENT      |           |

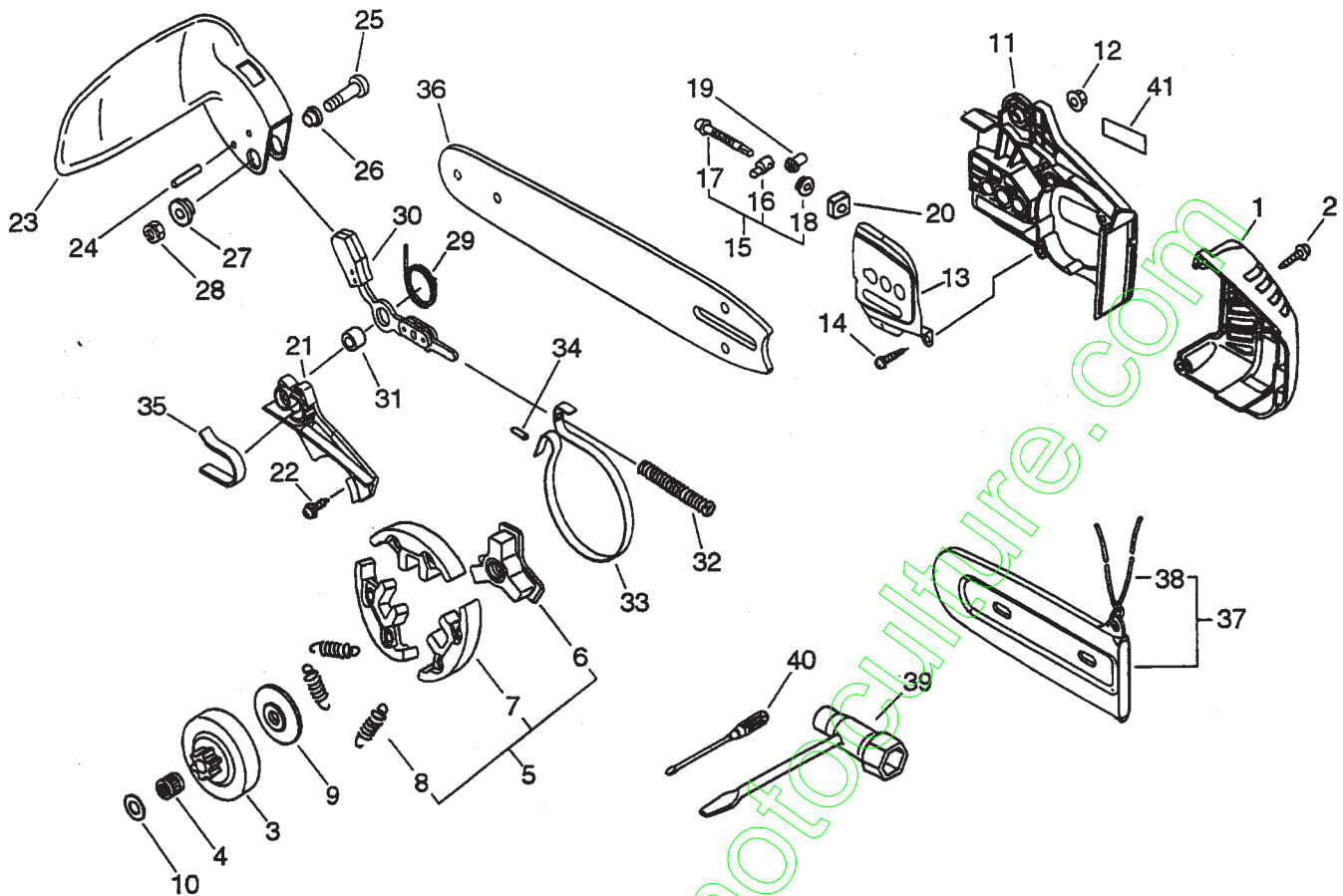


| CLE | NR. DE PIECE | QTE | DESIGNATION      | REMARQUES |
|-----|--------------|-----|------------------|-----------|
| 23  | 123181-39130 | 1   | CORPS, AMORCEUR  |           |
| 24  | 132010-00760 | 1   | TUYAU, CARBURANT |           |
| 25  | V471-000310  | 1   | TUYAU, CARBURANT |           |
| 26  | V186-000020  | 1   | RACCORD          |           |

contact@europe-motoculture.com

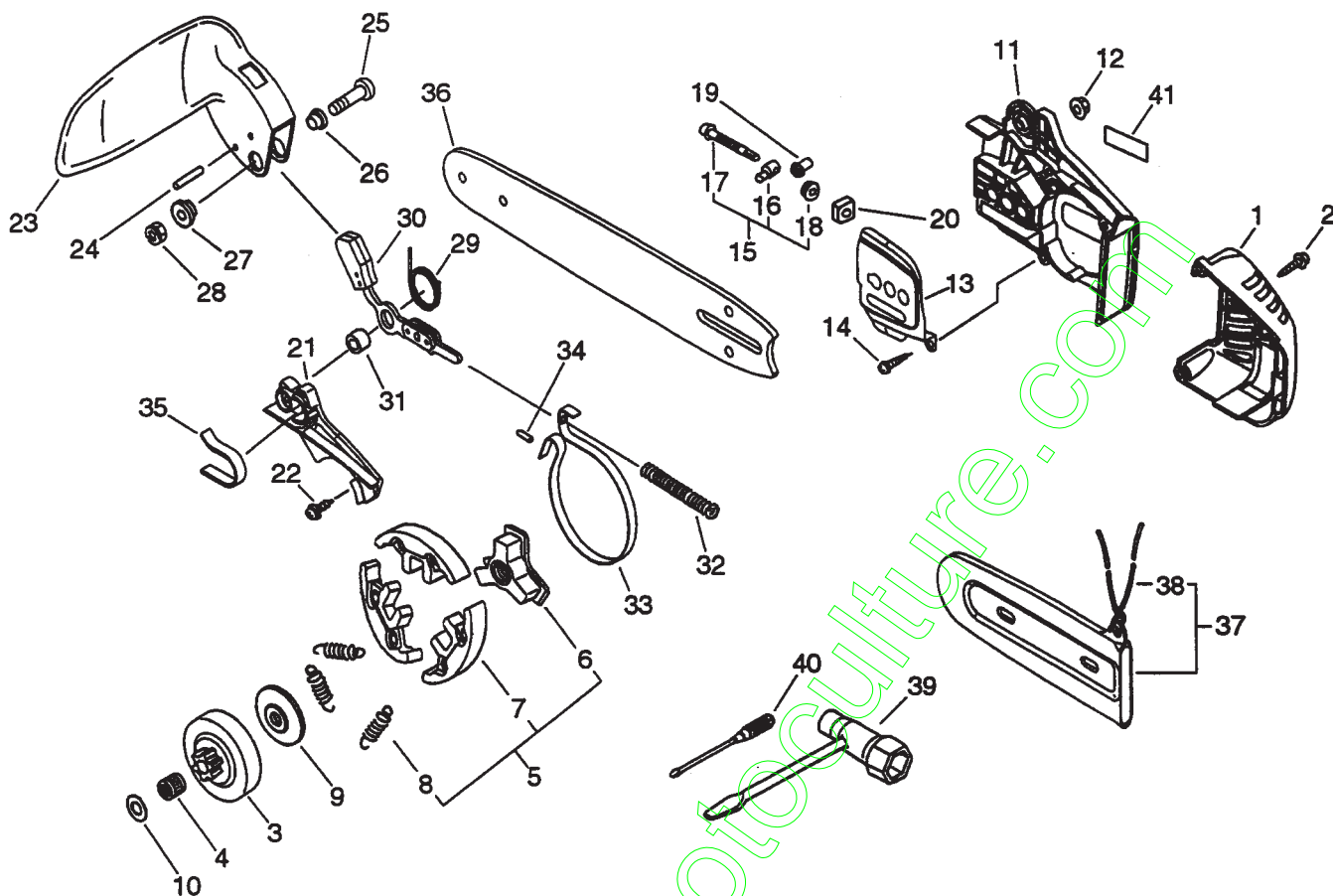


| CLE | NR. DE PIECE   | Q'TE | DESIGNATION      | REMARQUES |
|-----|----------------|------|------------------|-----------|
| 1   | A440-000210    | 1    | INTERRUPTEUR     |           |
| 2   | A239-000000    | 1    | TUYAU            |           |
| 3   | P021-001960    | 1    | POIGNEE ARRI ERE |           |
| 4   | + 130020-33330 | 2    | ÉCROU            |           |
| 5   | + 900256-04016 | 4    | VIS              |           |
| 6   | 900253-04016   | 2    | VIS TARAUDAGE    |           |
| 7   | C400-000050    | 1    | BRANCARD         |           |
| 8   | 900253-05020   | 1    | VIS TARAUDAGE    |           |
| 9   | C450-000010    | 1    | MANETTE DE GAZ   |           |
| 10  | C454-000050    | 1    | BIELLE           |           |
| 11  | V452-000010    | 1    | RESSORT          |           |
| 12  | C460-000000    | 1    | LOQUET           |           |
| 13  | V450-000080    | 2    | RESSORT          |           |
| 14  | 900253-04012   | 1    | VIS TARAUDAGE    |           |
| 15  | V150-000420    | 1    | JOINT            |           |
| 16  | V202-000000    | 3    | VIS              |           |
| 17  | 100910-18830   | 1    | SILENT BLOC      |           |
| 18  | 100918-15130   | 1    | BOUCHON          |           |

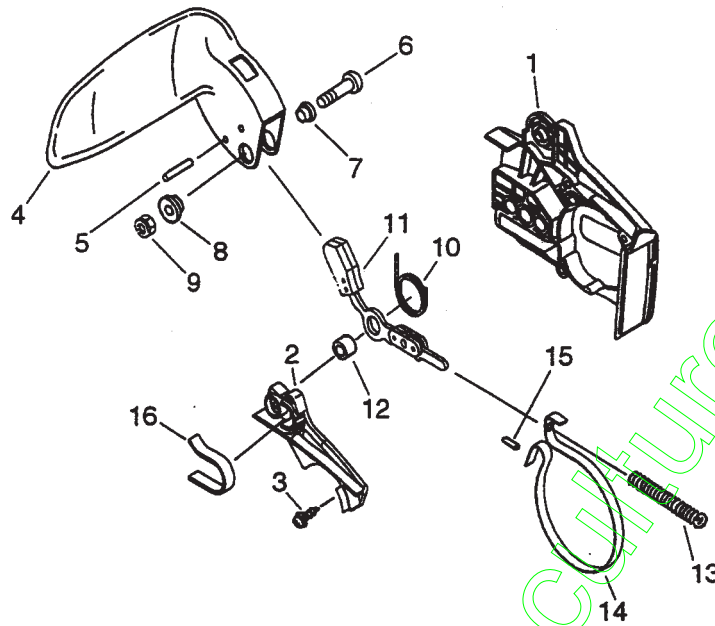


| CLE | NR. DE PIECE   | QTE | DESIGNATION          | REMARQUES |
|-----|----------------|-----|----------------------|-----------|
| 1   | A320-000020    | 1   | COUVERCLE            |           |
| 2   | 900253-04016   | 2   | VIS TARAUDAGE        |           |
| 3   | A556-000090    | 1   | TAMBOUR, EMBRAYAGE   |           |
| 4   | 175012-35630   | 1   | ROULEMENT A AIGUILLE |           |
| 5   | A056-000030    | 1   | MEBRAYAGE CPLT       |           |
| 6   | + A552-000020  | 1   | MOYEU, EMBRAYAGE     |           |
| 7   | + P021-001950  | 1   | PATIN, EMBRAYAGE     |           |
| 8   | + V451-000150  | 3   | RESSORT, EMBRAYAGE   |           |
| 9   | A551-000010    | 1   | PLAQUE               |           |
| 10  | 175014-39130   | 1   | RONDELLE             |           |
| 11  | C300-000030    | 1   | RONDELLE             |           |
| 12  | 433019-12330   | 1   | ECROU DE LAME        |           |
| 13  | C305-000030    | 1   | PLAQUE               |           |
| 14  | 900253-04010   | 1   | VIS TARAUDAGE        |           |
| 15  | P021-000060    | 1   | TENSIONER            |           |
| 16  | + 433014-60930 | 1   | TENSIONER            |           |
| 17  | + V203-000020  | 1   | VIS TENSION          |           |
| 18  | + V651-000010  | 1   | PIGNON               |           |
| 19  | V651-000000    | 1   | PIGNON               |           |
| 20  | V355-000030    | 1   | ENTRETOISE           |           |
| 21  | C345-000020    | 1   | JOINT                |           |
| 22  | 900253-04012   | 2   | VIS TARAUDAGE        |           |
| 23  | C320-000010    | 1   | POIGNEE FREIN        |           |
| 24  | 900330-40298   | 2   | GOUPILLE             |           |

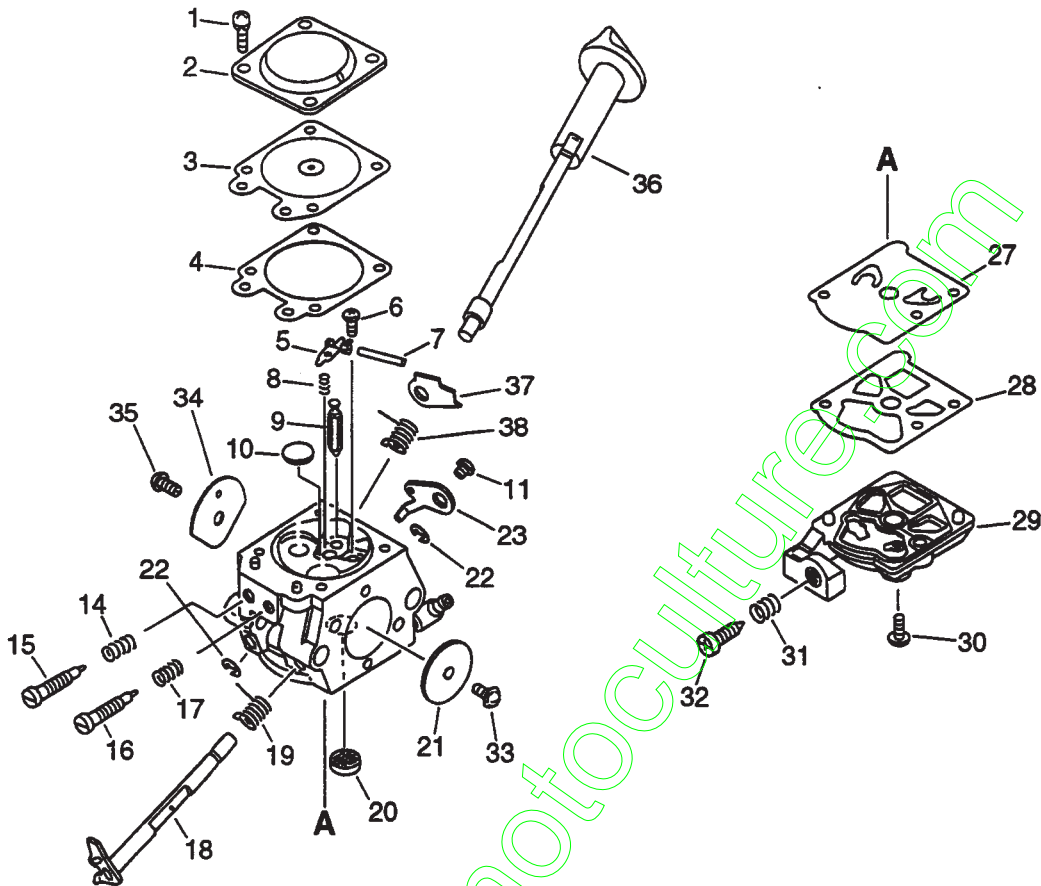




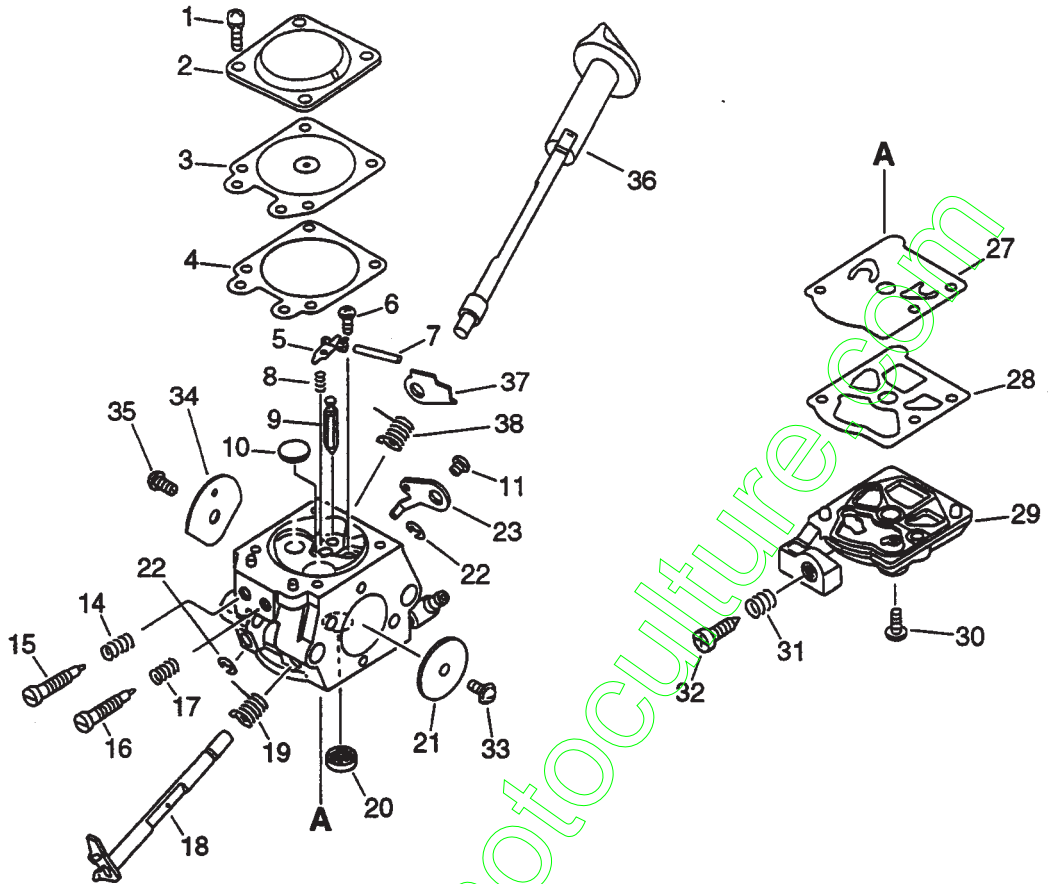
| CLE | NR. DE PIECE   | Q'TE | DESIGNATION       | REMARQUES |
|-----|----------------|------|-------------------|-----------|
| 25  | 91318-05032    | 1    | VIS               |           |
| 26  | 433167-39130   | 1    | ENTRETOISE(A)     |           |
| 27  | V353-000060    | 1    | ENTRETOISE        |           |
| 28  | 900560-00005   | 1    | ÉCROU             |           |
| 29  | V452-000020    | 1    | RESSORT           |           |
| 30  | C334-000030    | 1    | LEVIER, FREIN     |           |
| 31  | 433116-35430   | 1    | ENTRETOISE        |           |
| 32  | V450-000070    | 1    | RESSORT           |           |
| 33  | C328-000000    | 1    | BAND, FREIN       |           |
| 34  | 93050-30098    | 1    | GOUPILLE          |           |
| 35  | V453-000010    | 1    | RESSORT           |           |
| 36  | X121-000000    | 1    | LAME GUIDE-CHAINE |           |
| 37  | P021-002010    | 1    | PROTEGE-LAME      |           |
| 38  | + 898568-14530 | 1    | PROTEGE-LAME      |           |
| 39  | 895410-02830   | 1    | CLE               |           |
| 40  | 895812-03930   | 1    | TOURNEVIS         |           |
| 41  | X502-000020    | 1    | ETIQUETTE         |           |



| CLE | NR. DE PIECE   | QTE | DESIGNATION     | REMARQUES |
|-----|----------------|-----|-----------------|-----------|
|     | C032-000040    | 1   | FREIN DE CHAINE |           |
| 1   | + C300-000030  | 1   | RONDELLE        |           |
| 2   | + C345-000020  | 1   | JOINT           |           |
| 3   | + 900253-04012 | 2   | VIS TARAUDAGE   |           |
| 4   | + C320-000010  | 1   | POIGNEE FREIN   |           |
| 5   | + 900330-40298 | 2   | GOUPILLE        |           |
| 6   | + 91318-05032  | 1   | VIS             |           |
| 7   | + 433167-39130 | 1   | ENTRETOISE(A)   |           |
| 8   | + V353-000060  | 1   | ENTRETOISE      |           |
| 9   | + 900560-00005 | 1   | ECROU           |           |
| 10  | + V452-000020  | 1   | RESSORT         |           |
| 11  | + C334-000030  | 1   | LEVIER, FREIN   |           |
| 12  | + 433116-35430 | 1   | ENTRETOISE      |           |
| 13  | + V450-000070  | 1   | RESSORT         |           |
| 14  | + C328-000000  | 1   | BAND, FREIN     |           |
| 15  | + 93050-30098  | 1   | GOUPILLE        |           |
| 16  | + V453-000010  | 1   | RESSORT         |           |



| CLE | NR. DE PIECE   | Q'TE | DESIGNATION           | REMARQUES |
|-----|----------------|------|-----------------------|-----------|
|     | A021-000210    | 1    | CARBURATEUR           |           |
| 1   | + 123130-02960 | 4    | VIS                   |           |
| 2   | + 123142-03930 | 1    | COUVERCLE, DIAPHRAGME |           |
| 3   | + 123141-03930 | 1    | DIAPHRAGME            |           |
| 4   | + 123140-27230 | 1    | JOINT                 |           |
| 5   | + 123123-03930 | 1    | LEVIER                |           |
| 6   | + 123139-03930 | 1    | VIS                   |           |
| 7   | + 123138-03930 | 1    | AXE, LEVIER           |           |
| 8   | + 123122-39830 | 1    | RESSORT               |           |
| 9   | + 123137-19830 | 1    | POINTEAU              |           |
| 10  | + 123146-10631 | 1    | BOUCHON               |           |
| 11  | + 123114-03930 | 1    | VIS                   |           |
| 14  | + 123119-22130 | 1    | RESSORT               |           |
| 15  | + P003-000390  | 1    | VIS POINTEAU          |           |
| 16  | + 123118-38330 | 1    | VIS REGLAGE RALENTI   |           |
| 17  | + 123121-22130 | 1    | RESSORT               |           |
| 18  | + P003-000370  | 1    | AXE DE GAZ            |           |
| 19  | + 123113-37530 | 1    | RESSORT, GAZ          |           |
| 20  | + 123126-10631 | 1    | FILTRE                |           |
| 21  | + 123116-05960 | 1    | VOLET GAZ             |           |
| 22  | + 123127-15030 | 2    | CLIP                  |           |
| 23  | + P003-000380  | 1    | LEVIER, GAZ           |           |
| 27  | + 123112-15030 | 1    | DIAPHRAGME, POMPE     |           |
| 28  | + 123125-15030 | 1    | JOINT                 |           |



| CLE | NR. DE PIECE   | Q'TE | DESIGNATION          | REMARQUES |
|-----|----------------|------|----------------------|-----------|
| 29  | + 123124-09520 | 1    | COUVERCLE            |           |
| 30  | + 123110-03930 | 1    | VIS                  |           |
| 31  | + 123133-04260 | 1    | RESSORT, VIS RALENTI |           |
| 32  | + 123134-04260 | 1    | VIS, BAS REGINE      |           |
| 33  | + 123114-05260 | 1    | VIS                  |           |
| 34  | + P003-000410  | 1    | PADILLON             |           |
| 35  | + 123114-38830 | 1    | VIS                  |           |
| 36  | + P003-000400  | 1    | AXE DE STARTER       |           |
| 37  | + P003-000430  | 1    | LEVIER, GAZ          |           |
| 38  | + P003-000420  | 1    | RESSORT              |           |



**KIORITZ CORPORATION**

7-2, SUEHIROCHO 1-CHOME, OHME, TOKIO 198-8711, JAPON  
TEL:81-428-32-6118 TELECOPIE:81-428-32-6145

**ECHO.**

[contact@emc-microculture.com](mailto:contact@emc-microculture.com)



X751-000280

IMPRIME AU JAPON  
0008G ES