

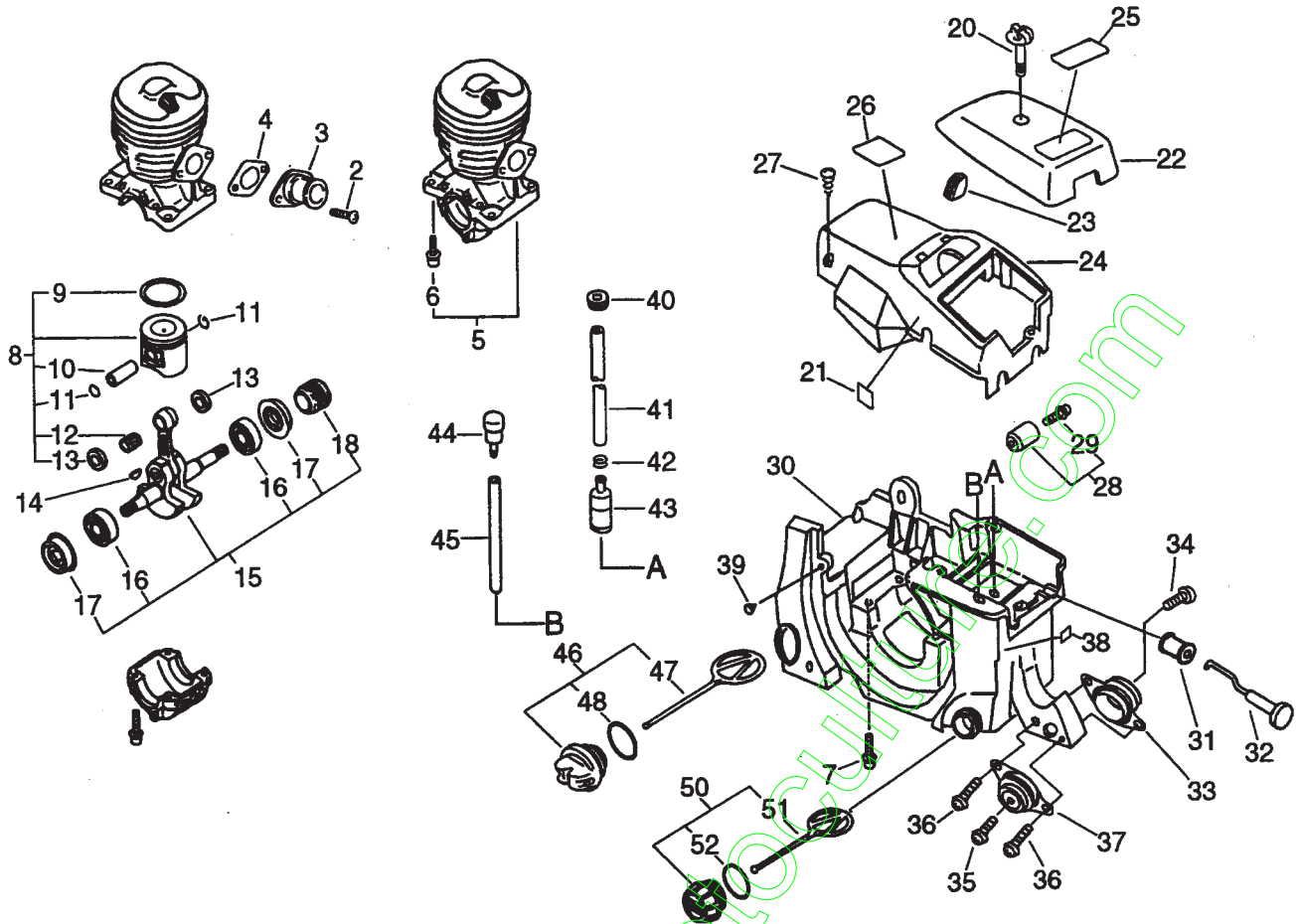
**ECHO®**

**CATALOGUE DE PIECE  
TRONÇONNEUSE**

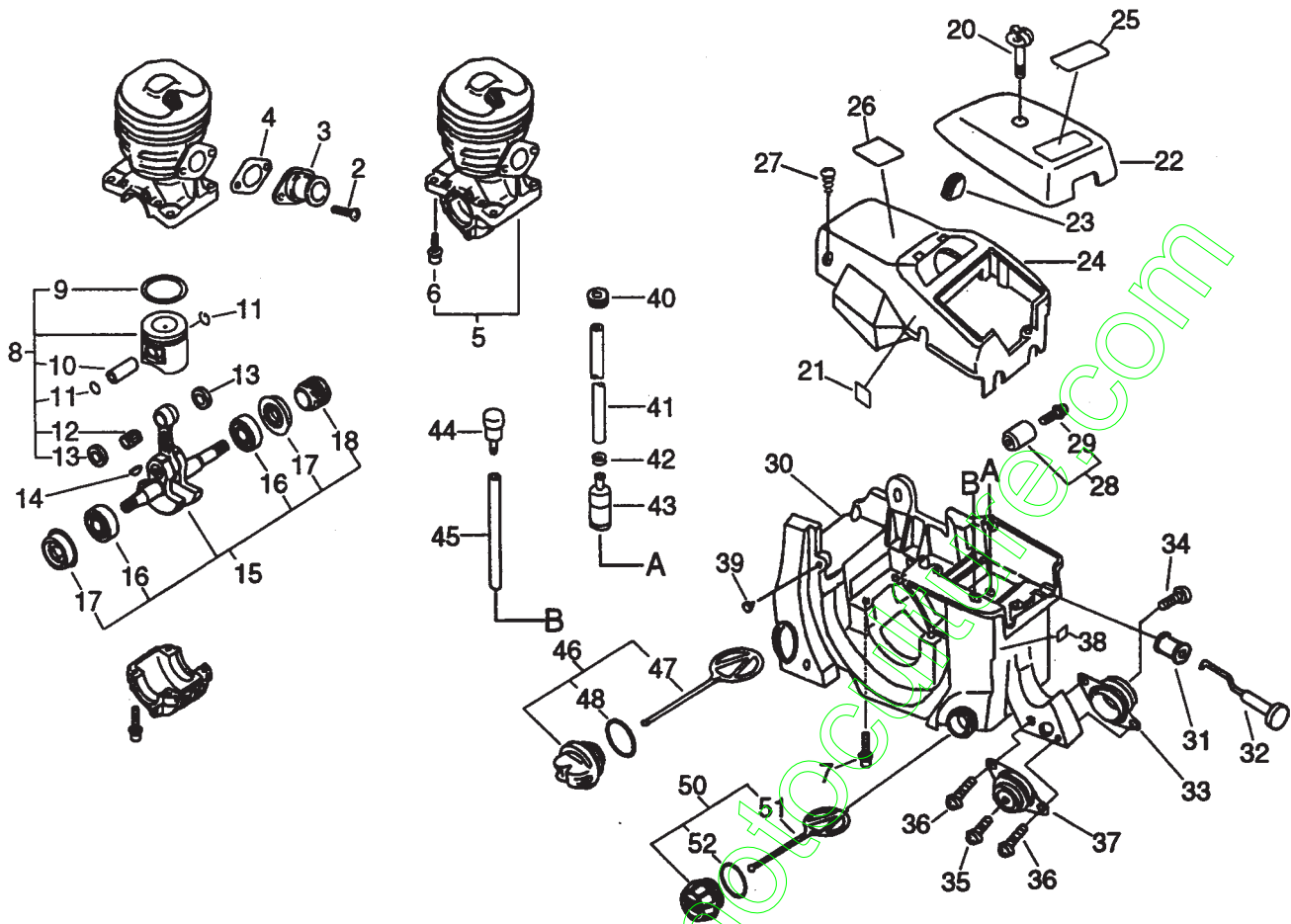
**ECHO  
CS-3500**

[contact@enc-motoculture.com](mailto:contact@enc-motoculture.com)

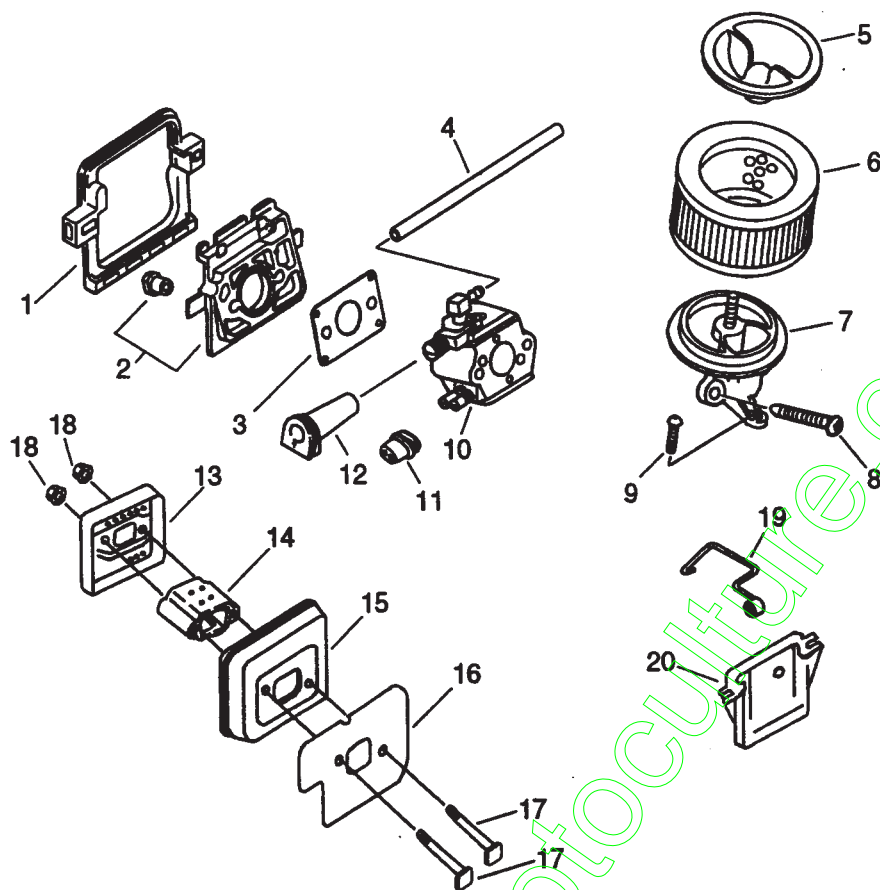
**CE**



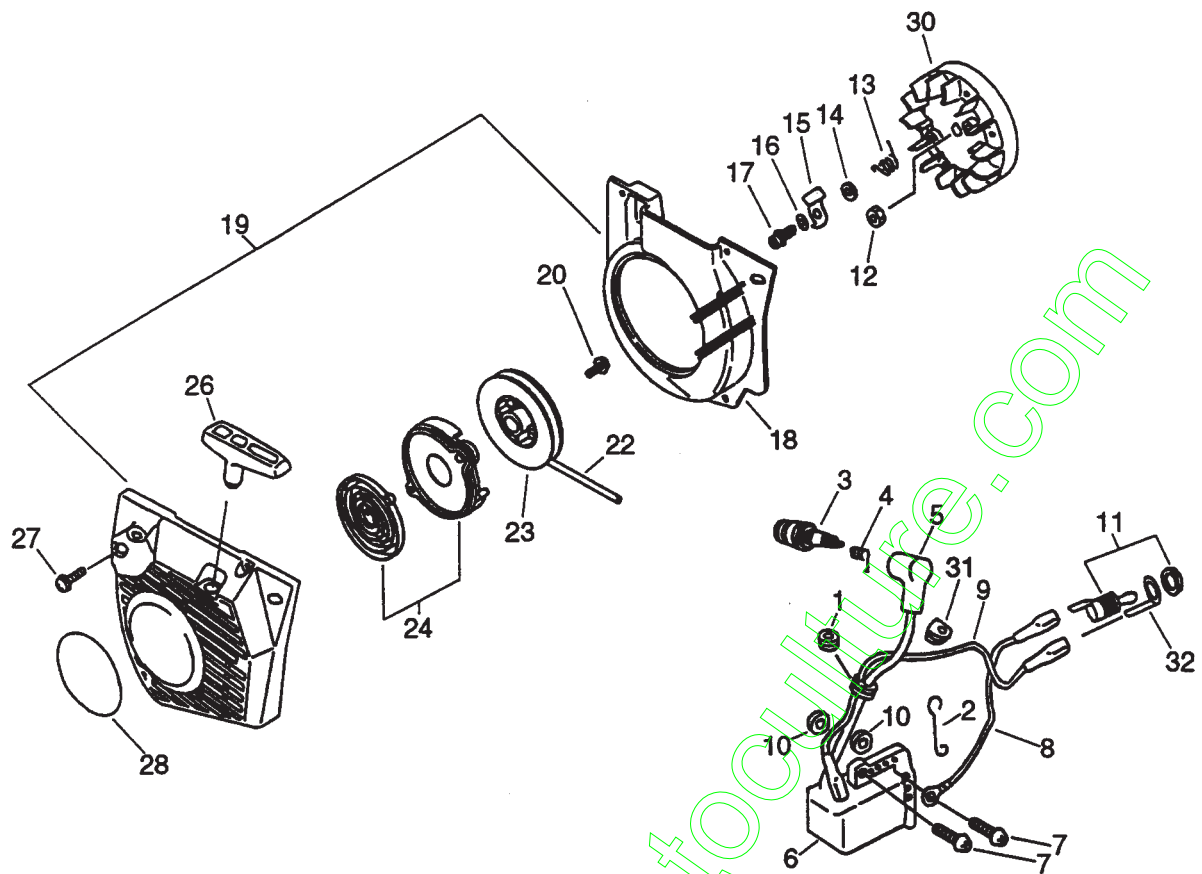
| CLE | NR. DE PIECE   | Q'TE | DESIGNATION          | REMARQUES |
|-----|----------------|------|----------------------|-----------|
| 2   | 900238-05012   | 2    | VIS                  |           |
| 3   | 130510-39932   | 1    | ADAPTATEUR           |           |
| 4   | 130016-39930   | 1    | JOINT                |           |
| 5   | P021-000802    | 1    | CARTER CPLT          |           |
| 6   | + 900162-05022 | 4    | BOULON               |           |
| 7   | 900162-05030   | 4    | BOULON               |           |
| 8   | 100000-60930   | 1    | KIT PISTON           |           |
| 9   | + 100011-01110 | 1    | SEGMENT              |           |
| 10  | + 100013-15330 | 1    | AXE DE PISTON        |           |
| 11  | + 100015-04630 | 2    | JONC, AXE DE PISTON  |           |
| 12  | + 100012-22330 | 1    | ROULEMENT'A AIGUILLE |           |
| 13  | + 100014-60930 | 2    | ENTRETOISE           |           |
| 14  | 100142-12330   | 1    | CLAVETTE             |           |
| 15  | 100101-60931   | 1    | EMBIELLAGE           |           |
| 16  | + 900810-36201 | 2    | ROULEMENT'A BILLES   |           |
| 17  | + 100213-38330 | 2    | JOINT D'ETANCHEITE   |           |
| 18  | + 437063-35630 | 1    | ENGRENAGE, SANS FIN  |           |
| 20  | A235-000010    | 1    | BOUTON, COUVERCLE    |           |
| 21  | 890631-38130   | 1    | ETIQUETTE            |           |
| 22  | A232-000010    | 1    | CAPOT                |           |
| 23  | 130338-32430   | 1    | BOUCHON              |           |
| 24  | 101514-60932   | 1    | COUVERCLE, CYLINDRE  |           |
| 25  | X503-000270    | 1    | ETIQUETTE            |           |
| 26  | 890345-39230   | 1    | ETIQUETTE            |           |
| 27  | 900256-04016   | 3    | VIS                  |           |
| 28  | 433000-60930   | 1    | CAPTAGE DE CHAINE    |           |
| 29  | + 900253-05020 | 1    | VIS TARAUDAGE        |           |



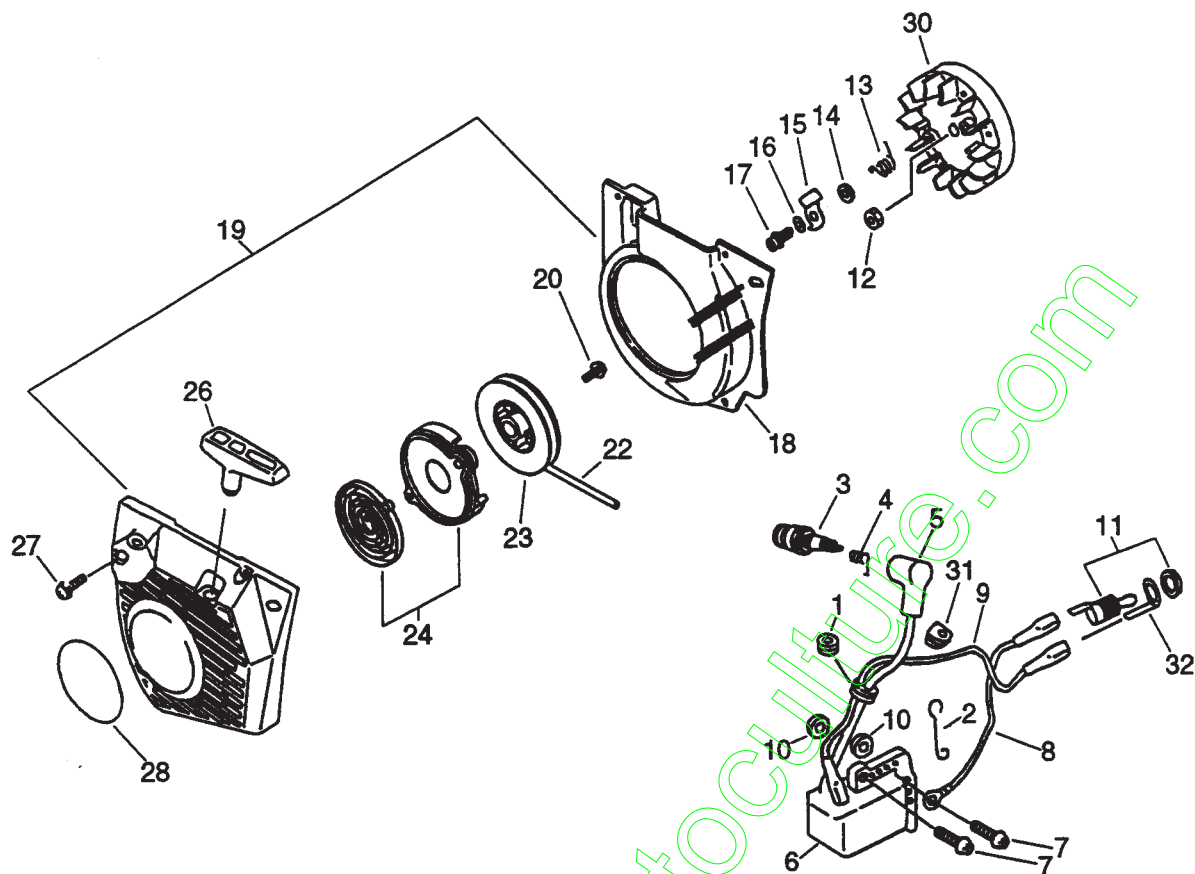
| CLE | NR. DE PIECE   | QTE | DESIGNATION        | REMARQUES |
|-----|----------------|-----|--------------------|-----------|
| 30  | 104005-60932   | 1   | COUVERCLE LATERAL  |           |
| 31  | 178810-60930   | 1   | PASSE-TIGE         |           |
| 32  | 178510-38330   | 1   | BIELLETTE STARTER  |           |
| 33  | 100905-35430   | 1   | SILENT BLOC        |           |
| 34  | 900238-05025   | 1   | VIS                |           |
| 35  | 900238-05014   | 1   | VIS                |           |
| 36  | 900238-04022   | 2   | VIS                |           |
| 37  | 100905-36030   | 1   | SILENT BLOC        |           |
| 38  | 890157-39130   | 1   | ETIQUETTE          |           |
| 39  | 436114-13930   | 1   | SOUPAPE            |           |
| 40  | 132115-04920   | 1   | PASSE-TIGE         |           |
| 41  | 132010-38331   | 1   | TUYAU, CARBURANT   |           |
| 42  | 132013-26630   | 1   | CLIP               |           |
| 43  | 131205-14930   | 1   | PLONGEUR           |           |
| 44  | 131300-56430   | 1   | EVENT CPLT         |           |
| 45  | 132012-52030   | 1   | TUYAU, CARBURANT   |           |
| 46  | 436001-39131   | 1   | BOUCHON CPLT       |           |
| 47  | + 131051-19830 | 1   | RACCORD-DE-BLOCAGE |           |
| 48  | + 900725-02025 | 1   | JOINT TORIQUE      |           |
| 50  | 131004-37931   | 1   | BOUCHON ESS. CPLT  |           |
| 51  | + 131051-19830 | 1   | RACCORD-DE-BLOCAGE |           |
| 52  | + 900720-00022 | 1   | JOINT TORIQUE      |           |



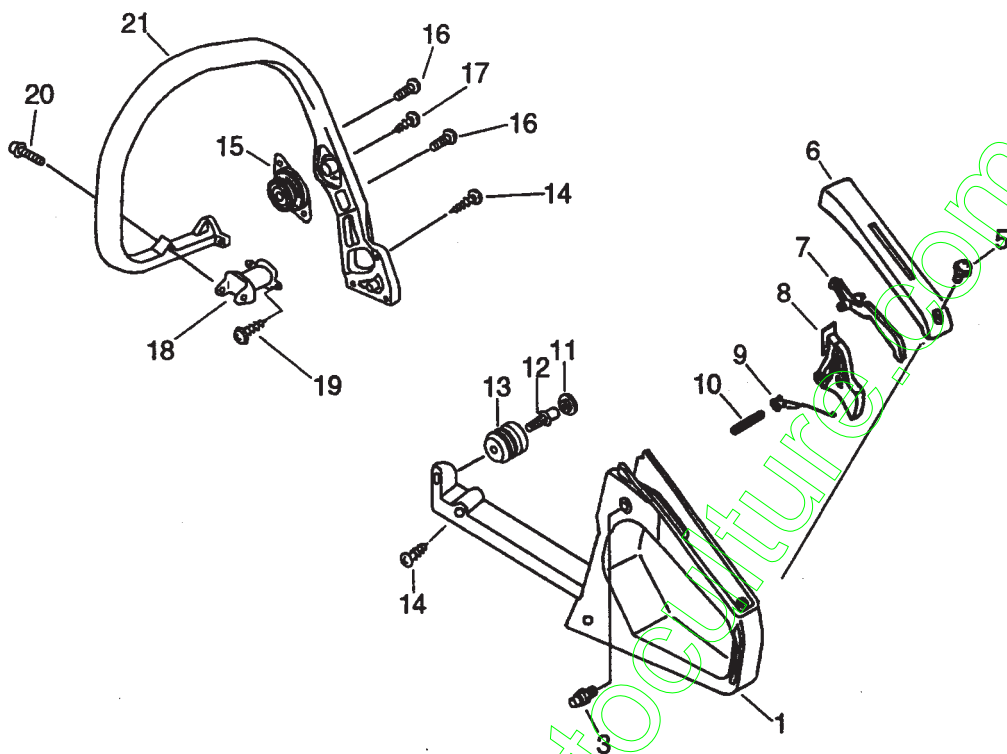
| CLE | NR. DE PIECE | QTE | DESIGNATION           | REMARQUES |
|-----|--------------|-----|-----------------------|-----------|
| 1   | 130366-39930 | 1   | SILENT BLOC           |           |
| 2   | 130007-39930 | 1   | ISOLANT               |           |
| 3   | 130010-38330 | 1   | JOINT, CARBURATEUR    |           |
| 4   | 130110-54430 | 1   | TUYAU                 |           |
| 5   | 130405-38331 | 1   | PLAQUE                |           |
| 6   | 130300-39730 | 1   | FILTRE CPLT           |           |
| 7   | 130301-39931 | 1   | BOITIER               |           |
| 8   | 900238-05050 | 2   | VIS                   |           |
| 9   | 900253-05020 | 1   | VIS TARAUDAGE         |           |
| 10  | 123000-60930 | 1   | CARBURATEUR           |           |
| 11  | 129010-33330 | 1   | PASSE-TIGE            |           |
| 12  | 129015-60931 | 1   | PASSE-VIS, CARBURATER |           |
| 13  | 145861-60930 | 1   | CAPUCHON              |           |
| 14  | 145614-60930 | 1   | PLAQUE                |           |
| 15  | 145610-60930 | 1   | POT D'ECHAPPEMENT     |           |
| 16  | 145510-60930 | 1   | JOINT DE POT          |           |
| 17  | 101023-60930 | 2   | BOULON                |           |
| 18  | 900516-00005 | 2   | ECROU                 |           |
| 19  | 178011-61530 | 1   | BIELLETTTE            |           |
| 20  | 178112-60931 | 1   | GUIDE                 |           |



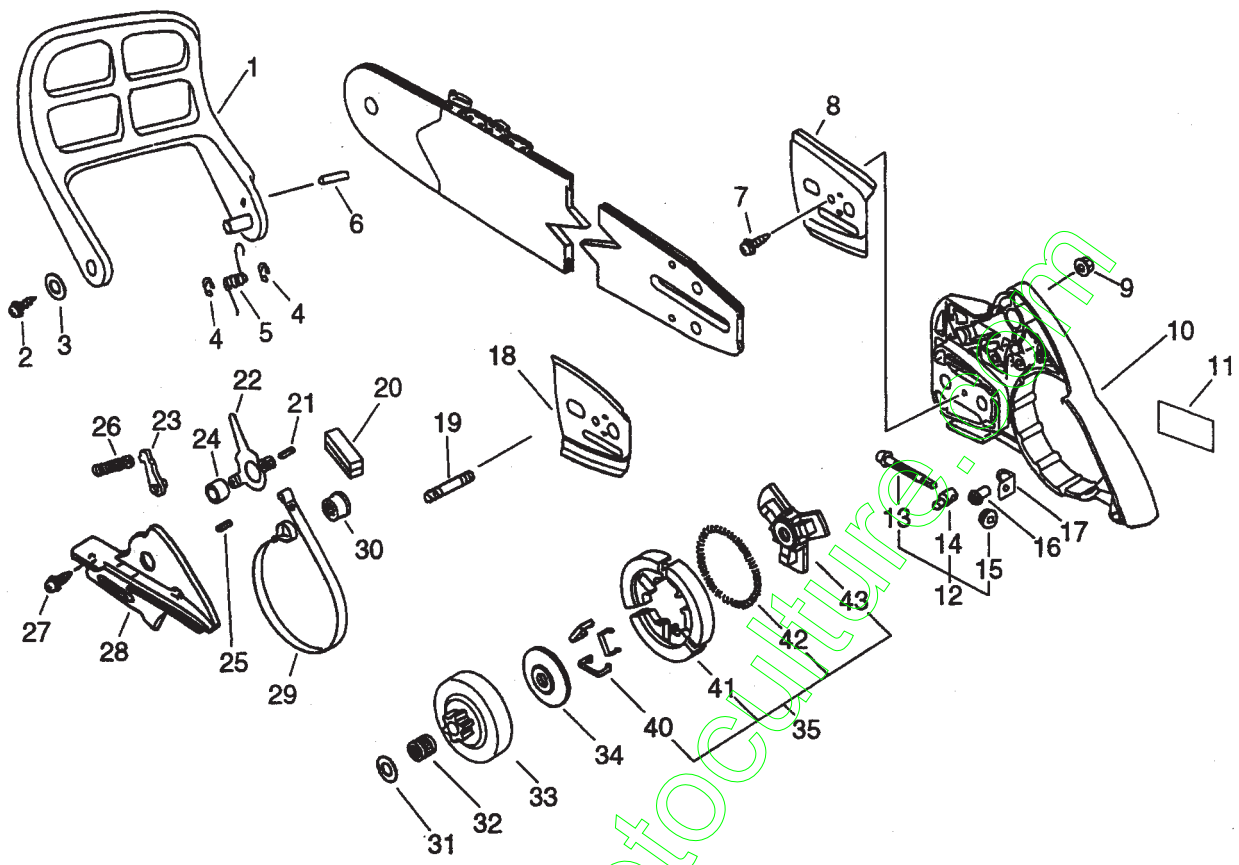
| CLE | NR. DE PIECE | QTE | DESIGNATION          | REMARQUES |
|-----|--------------|-----|----------------------|-----------|
| 1   | 151112-04630 | 1   | BAGUE CAOUTCHOUC     |           |
| 2   | 159118-60930 | 1   | GUIDE                |           |
| 3   | 159010-10230 | 1   | BOUGIE D'ALLUMAGE    |           |
| 4   | 159011-03432 | 1   | RESSORT, COIFFE      |           |
| 5   | 159012-01620 | 1   | COIFFE               |           |
| 6   | 156626-60930 | 1   | BOBINE D'ALLUMAGE    |           |
| 7   | 900238-05025 | 2   | VIS                  |           |
| 8   | 162010-60930 | 1   | FIL DE MASSE         |           |
| 9   | 162021-52130 | 1   | FIL DE MASSE         |           |
| 10  | 150117-16430 | 2   | ENTRETOISE           |           |
| 11  | 163400-35430 | 1   | INTERRUPTEUR         |           |
| 12  | 900515-00008 | 1   | ECROU                |           |
| 13  | 177234-35430 | 2   | RESSORT, CLIQUET     |           |
| 14  | 177247-04630 | 2   | ENTRETOISE           |           |
| 15  | 177218-35631 | 2   | CLIQUET              |           |
| 16  | 900603-00005 | 2   | RONDELLE             |           |
| 17  | 900216-05012 | 2   | VIS                  |           |
| 18  | 101511-60930 | 1   | COUVERCLE, VENTILATE |           |



| CLE | NR. DE PIECE   | QTE | DESIGNATION      | REMARQUES |
|-----|----------------|-----|------------------|-----------|
| 19  | 177200-60930   | 1   | LANCEUR CPLT     |           |
| 20  | + 177236-44330 | 1   | VIS              |           |
| 22  | + 177226-60930 | 1   | CORDE, LANCEUR   |           |
| 23  | + 177215-60930 | 1   | POULIE, LANCEUR  |           |
| 24  | + 177203-60930 | 1   | RESSORT SPIRAL   |           |
| 26  | + 177228-60930 | 1   | POIGNEE, LANCEUR |           |
| 27  | 900256-04016   | 4   | VIS              |           |
| 28  | 890118-49330   | 1   | ETIQUETTE        |           |
| 30  | 156800-60930   | 1   | ROTOR            |           |
| 31  | 150112-04930   | 1   | COUVERCLE        |           |
| 32  | 168114-60930   | 1   | RACCORD          |           |

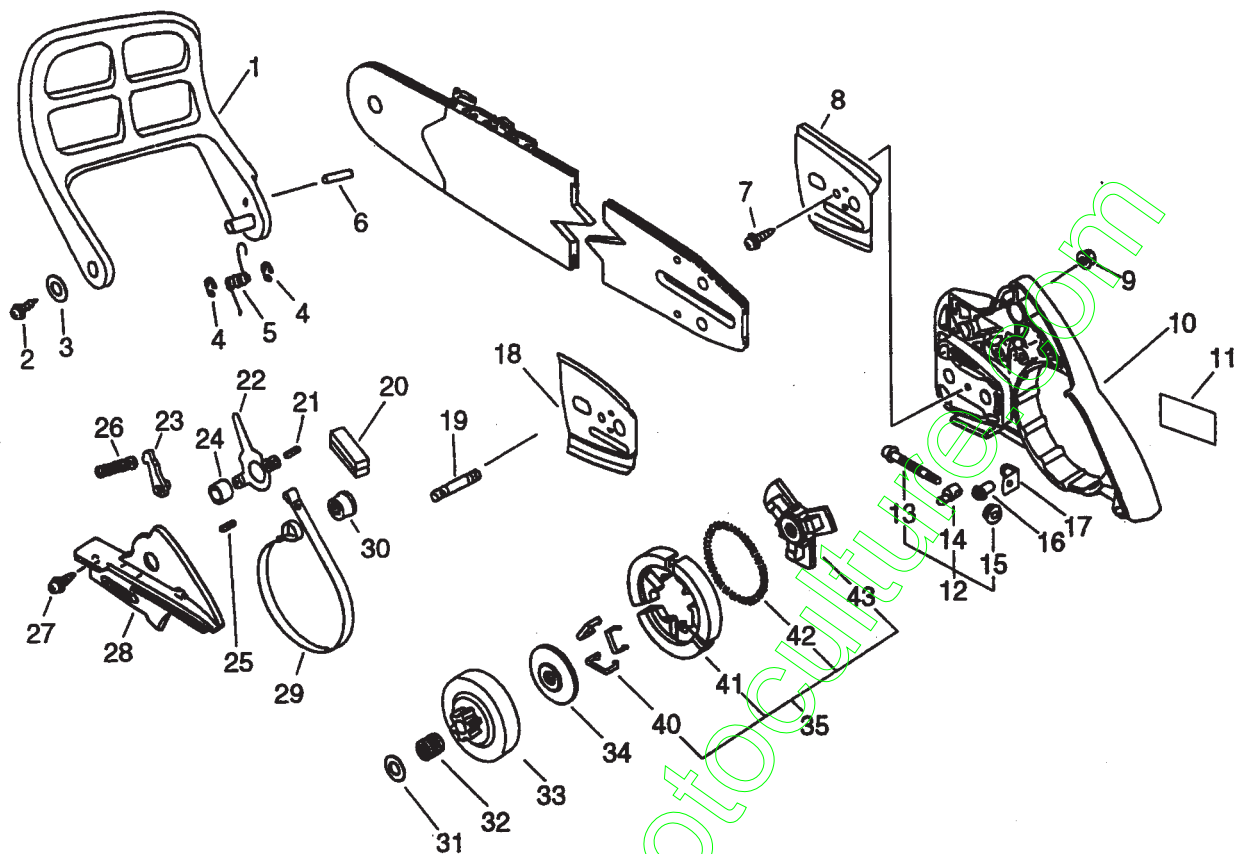


| CLE | NR. DE PIECE | Q'TE | DESIGNATION        | REMARQUES |
|-----|--------------|------|--------------------|-----------|
| 1   | 351110-60932 | 1    | POIGNEE ARRIERE    |           |
| 3   | 178302-37930 | 1    | BLOCAGE            |           |
| 5   | 900253-04012 | 1    | VIS TARAUDAGE      |           |
| 6   | 351155-35430 | 1    | COUVERCLE, POIGNEE |           |
| 7   | 178090-37930 | 1    | LOQUET             |           |
| 8   | C450-000000  | 1    | MANETTE DE GAZ     |           |
| 9   | 178043-35430 | 1    | RESSORT            |           |
| 10  | 900345-40030 | 1    | GOUPILLE ELASTIQUE |           |
| 11  | 100918-19830 | 1    | BOUCHON            |           |
| 12  | 100915-35430 | 1    | VIS                |           |
| 13  | 100910-60030 | 1    | SILENT BLOC        |           |
| 14  | 900253-05020 | 4    | VIS TARAUDAGE      |           |
| 15  | 100922-35430 | 1    | SILENT BLOC        |           |
| 16  | 900238-04016 | 2    | VIS                |           |
| 17  | 900253-05016 | 1    | VIS TARAUDAGE      |           |
| 18  | 351105-60930 | 1    | SILENT BLOC        |           |
| 19  | 900253-04012 | 2    | VIS TARAUDAGE      |           |
| 20  | 900238-04022 | 1    | VIS                |           |
| 21  | 351606-60931 | 1    | POIGNEE AVANT      |           |

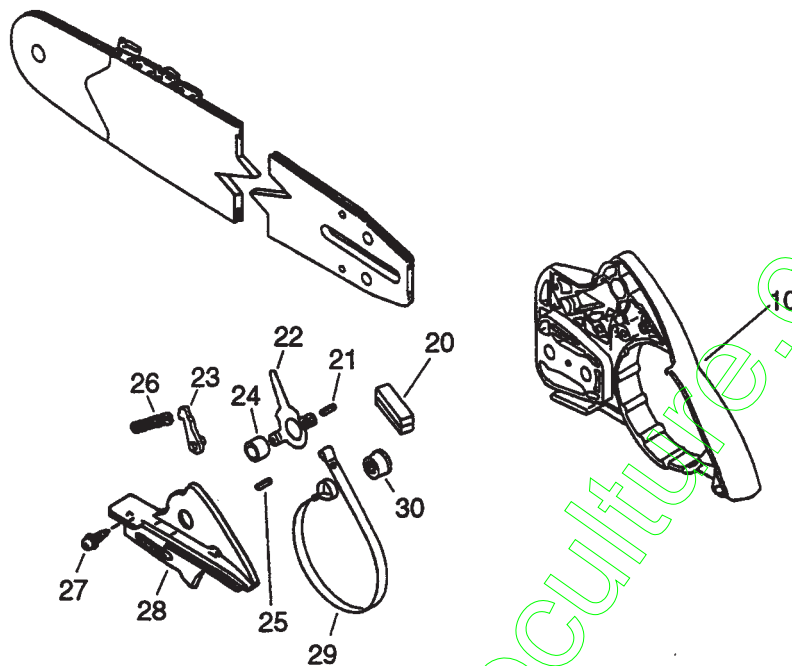


| CLE | NR. DE PIECE   | Q'TE | DESIGNATION     | REMARQUES |
|-----|----------------|------|-----------------|-----------|
| 1   | C320-000000    | 1    | POIGNEE, FREIN  |           |
| 2   | 900253-04012   | 1    | VIS TARAUDAGE   |           |
| 3   | 177214-04630   | 1    | RONDELLE        |           |
| 4   | 900700-00008   | 2    | BAGUE-E         |           |
| 5   | 433122-60930   | 1    | RESSORT         |           |
| 6   | 900330-30120   | 1    | GOUPILLE        |           |
| 7   | 900253-04010   | 1    | VIS TARAUDAGE   |           |
| 8   | 433012-60930   | 1    | PLAQUE LATERALE |           |
| 9   | 433019-03933   | 2    | ECROU DE LAME   |           |
| 10  | 433010-60931   | 1    | BOUCLIER        |           |
| 11  | X502-000000    | 1    | ETIQUETTE       |           |
| 12  | P021-000060    | 1    | TENSIONER       |           |
| 13  | + V203-000020  | 1    | VIS DE REGLAGE  |           |
| 14  | + 433014-60930 | 1    | TENSIONER       |           |
| 15  | + V651-000010  | 1    | PIGNON          |           |
| 16  | V651-000000    | 1    | PIGNON          |           |
| 17  | V150-000030    | 1    | PLAQUE          |           |
| 18  | 433013-60930   | 1    | PLAQUE LATERALE |           |
| 19  | 433011-03931   | 2    | GOUJON          |           |
| 20  | 433312-32630   | 1    | COUVERCLE       |           |
| 21  | 900330-40088   | 1    | GOUPILLE        |           |
| 22  | 433117-60930   | 1    | RACCORD         |           |
| 23  | 433209-35430   | 1    | STOPPEUR        |           |
| 24  | 433116-35430   | 1    | ENTRETOISE      |           |
| 25  | 900342-25012   | 1    | PION 2.5*12     |           |

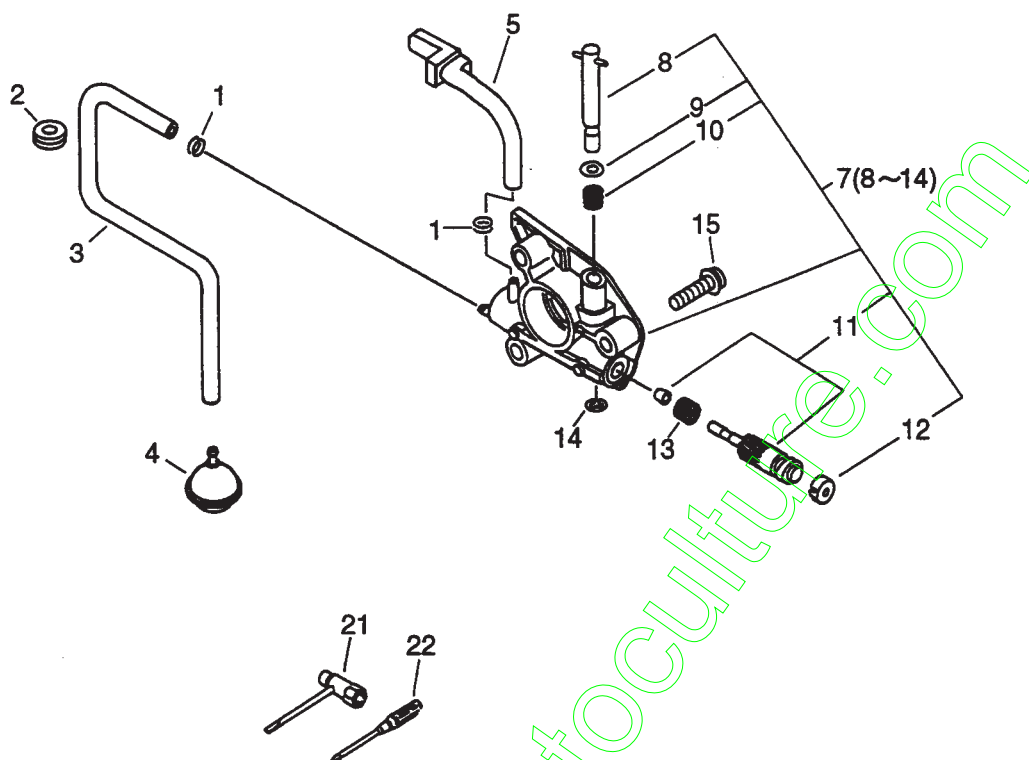




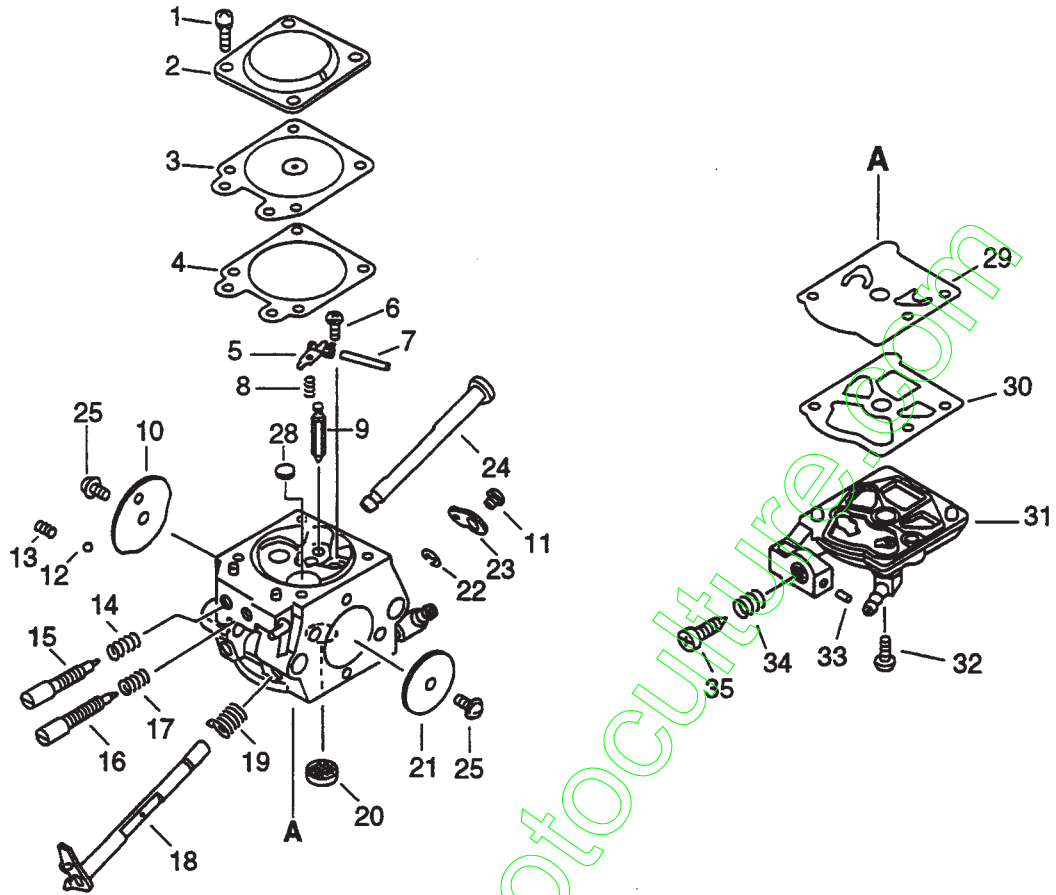
| CLE | NR. DE PIECE   | QTE | DESIGNATION          | REMARQUES |
|-----|----------------|-----|----------------------|-----------|
| 26  | 433122-35430   | 1   | RESSORT              |           |
| 27  | 900253-04012   | 3   | VIS TARAUDAGE        |           |
| 28  | 433310-60930   | 1   | JOINT                |           |
| 29  | 433123-60930   | 1   | BANDE, FREIN         |           |
| 30  | 433142-35430   | 1   | EXCENTRIQUE          |           |
| 31  | 175014-39130   | 1   | RONDELLE             |           |
| 32  | 175012-35630   | 1   | ROULEMENT'A AIGUILLE |           |
| 33  | 175005-39131   | 1   | TAMBOUR, EMBRAYAGE   |           |
| 34  | 175019-39430   | 1   | PLAQUE               |           |
| 35  | A056-000010    | 1   | EMBRAYAGE CPLT       |           |
| 40  | + 175022-59530 | 3   | RONDELLE             |           |
| 41  | + P021-000270  | 1   | PATIN, EMBRAYAGE     |           |
| 42  | + 175018-39430 | 1   | RESSORT, EMBRAYAGE   |           |
| 43  | + A552-000000  | 1   | MOYEU, EMBRAYAGE     |           |



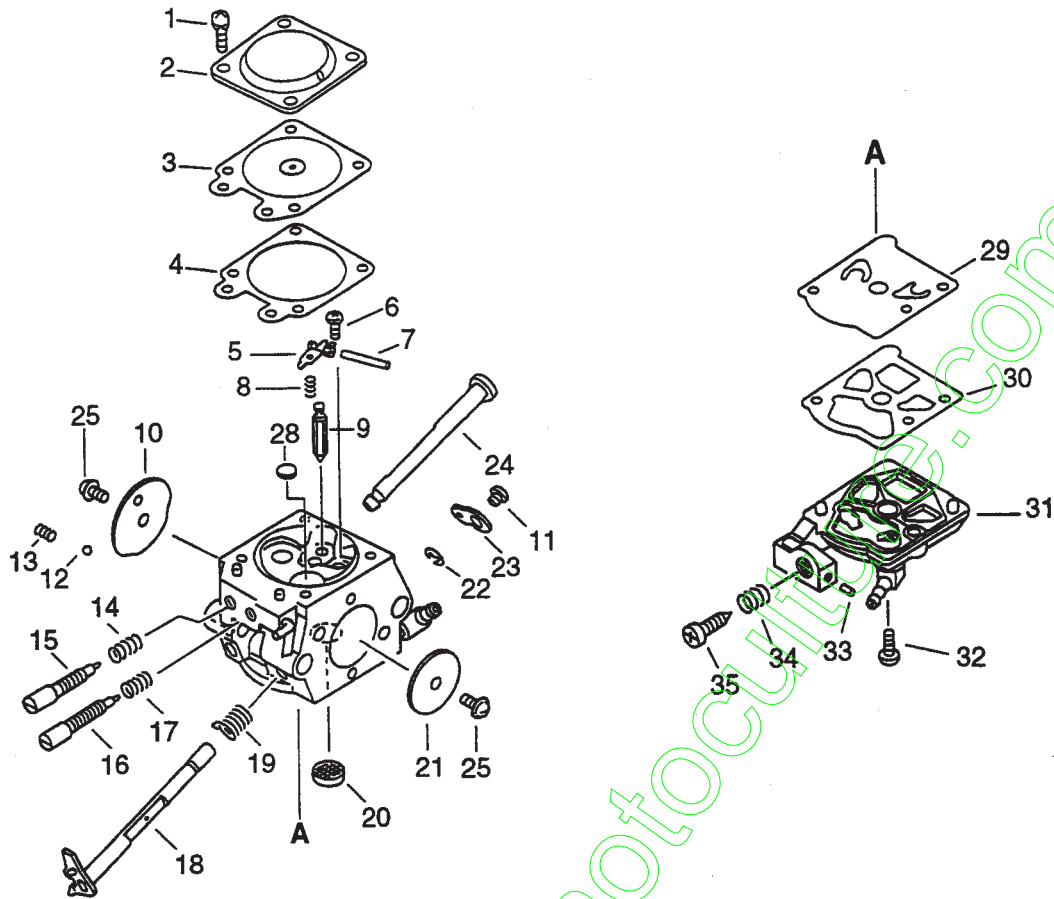
| CLE | NR. DE PIECE   | QTE | DESIGNATION     | REMARQUES |
|-----|----------------|-----|-----------------|-----------|
|     | C032-000020    | 1   | FREIN DE CHAINE |           |
| 10  | + 433010-60931 | 1   | BOUCLIER        |           |
| 20  | + 433312-32630 | 1   | COUVERCLE       |           |
| 21  | + 900330-40088 | 1   | GÓUPILLE        |           |
| 22  | + 433117-60930 | 1   | RACCORD         |           |
| 23  | + 433209-35430 | 1   | STOPPEUR        |           |
| 24  | + 433116-35430 | 1   | ENTRETOISE      |           |
| 25  | + 900342-25012 | 1   | PION 2.5*12     |           |
| 26  | + 433122-35430 | 1   | RESSORT         |           |
| 27  | + 900253-04012 | 3   | VIS TARAUDAGE   |           |
| 28  | + 433310-60930 | 1   | JOINT           |           |
| 29  | + 433123-60930 | 1   | BANDE, FREIN    |           |
| 30  | + 433142-35430 | 1   | EXCÉNTRIQUE     |           |



| CLE | NR. DE PIECE   | QTE | DESIGNATION           | REMARQUES |
|-----|----------------|-----|-----------------------|-----------|
| 1   | 132013-26630   | 2   | CLIP                  |           |
| 2   | 132115-12330   | 1   | PASSE-TIGE            |           |
| 3   | 437210-35430   | 1   | TUYAU                 |           |
| 4   | 436205-14730   | 1   | PLONGEUR, HUILE       |           |
| 5   | 437211-39133   | 1   | TUYAU                 |           |
| 7   | 437002-38330   | 1   | GRAISSAGE AUTOMATIQUE |           |
| 8   | + 437016-38330 | 1   | VIS                   |           |
| 9   | + 437029-37330 | 1   | ENTRETOISE            |           |
| 10  | + 437015-37330 | 1   | RESSORT               |           |
| 11  | + 437024-37330 | 1   | PISTON                |           |
| 12  | + 437062-38330 | 1   | BOUCHON               |           |
| 13  | + 437019-38330 | 1   | RESSORT               |           |
| 14  | + 123127-15030 | 1   | CLIP                  |           |
| 15  | 900223-04016   | 2   | VIS                   |           |
| 21  | 895410-03930   | 1   | CLE                   |           |
| 22  | 895812-03930   | 1   | TOURNEVIS             |           |



| CLE | NR. DE PIECE   | QTE | DESIGNATION          | REMARQUES |
|-----|----------------|-----|----------------------|-----------|
|     | 123000-60930   | 1   | CARBURATEUR          |           |
| 1   | + 123130-02960 | 4   | VIS                  |           |
| 2   | + 123142-03930 | 1   | COUVERCLE, DIAPHRAGM |           |
| 3   | + 123141-03930 | 1   | DIAPHRAGME           |           |
| 4   | + 123140-03930 | 1   | JOINT                |           |
| 5   | + 123123-03930 | 1   | LEVIER               |           |
| 6   | + 123139-03930 | 1   | VIS                  |           |
| 7   | + 123138-03930 | 1   | AXE, LEVIER          |           |
| 8   | + 123122-39330 | 1   | RESSORT              |           |
| 9   | + 123137-19830 | 1   | POINTEAU             |           |
| 10  | + 123132-35430 | 1   | PADILLON             |           |
| 11  | + 123114-03930 | 1   | VIS                  |           |
| 12  | + 123136-10630 | 1   | BILLE                |           |
| 13  | + 123135-10630 | 1   | RESSORT              |           |
| 14  | + 123119-22130 | 1   | RESSORT              |           |
| 15  | + 123120-10860 | 1   | VIS POINTEAU         |           |
| 16  | + 123118-38330 | 1   | VIS REGLAGE RALENTI  |           |
| 17  | + 123121-22130 | 1   | RESSORT              |           |
| 18  | + 123117-37330 | 1   | AXE DE GAZ           |           |
| 19  | + 123113-37530 | 1   | RESSORT, GAZ         |           |
| 20  | + 123126-10631 | 1   | FILTRE               |           |
| 21  | + 123116-03930 | 1   | VOLET GAZ            |           |
| 22  | + 123127-15030 | 1   | CLIP                 |           |
| 23  | + 123150-38330 | 1   | LEVIER, GAZ          |           |



| CLE | NR. DE PIECE   | QTE | DESIGNATION          | REMARQUES |
|-----|----------------|-----|----------------------|-----------|
| 24  | + 123131-35430 | 1   | AXE DE STARTER       |           |
| 25  | + 123114-38830 | 2   | VIS                  |           |
| 28  | + 123146-10631 | 1   | BOUCHON              |           |
| 29  | + 123112-15030 | 1   | DIAPHRAGME, POMPE    |           |
| 30  | + 123125-15030 | 1   | JOINT                |           |
| 31  | + 123124-38330 | 1   | COUVERCLE            |           |
| 32  | + 123110-03930 | 1   | VIS                  |           |
| 33  | + 123178-15030 | 1   | BOUCHON              |           |
| 34  | + 123133-04260 | 1   | RESSORT, VIS RALENTI |           |
| 35  | + 123134-04260 | 1   | VIS, BAS REGIME      |           |



**KIORITZ CORPORATION**

7-2 SUEHIROCHO 1-CHOME, OHME, TOKIO 198-8711, JAPON  
TEL:0428-32-6118. TELECOPIE:0428-32-6145

**MECHO.**

[contact@enc-motoculture.com](mailto:contact@enc-motoculture.com)



**X751-000070**

**IMPRIME AU JAPON  
0001B ES**