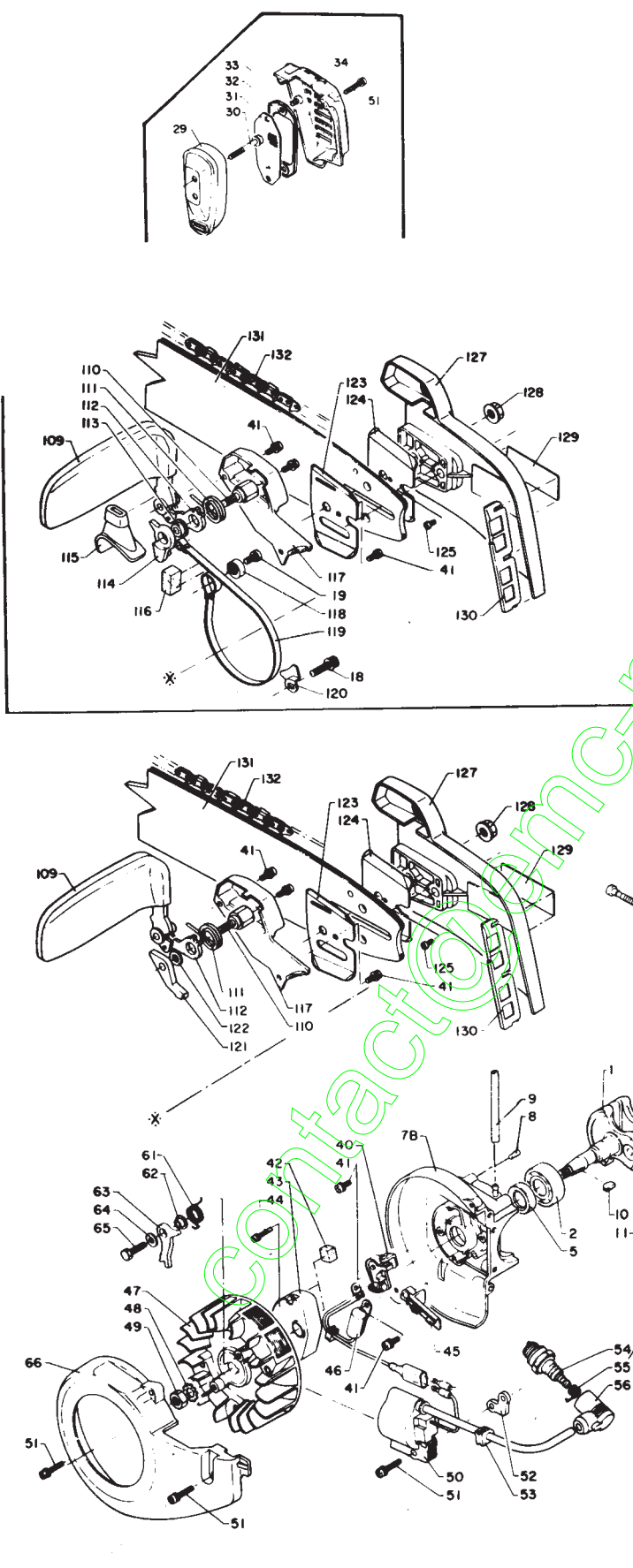
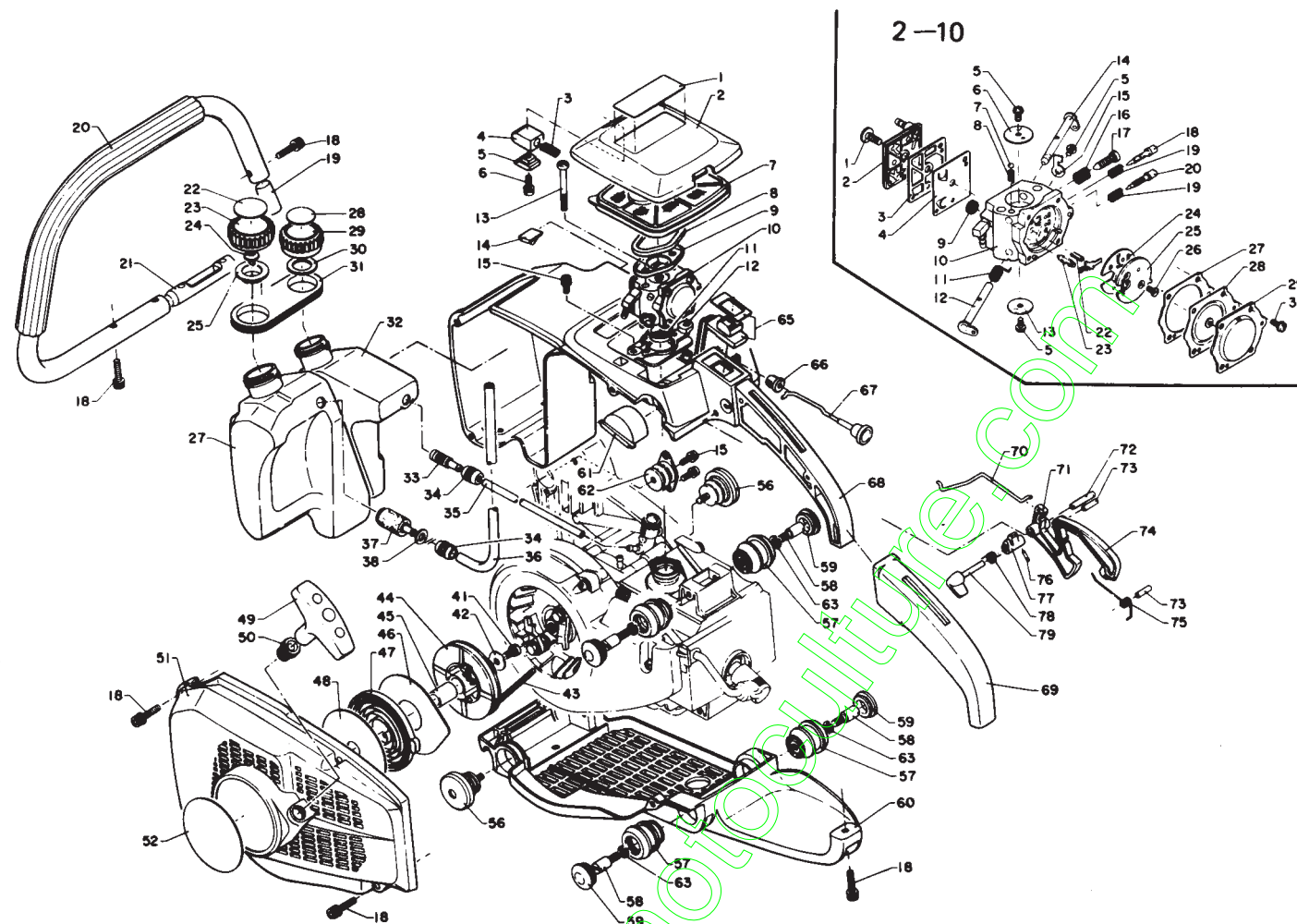


KIORITZ / modèle CS 500 VL

Key No.	Part No.	Q'ty	Description	Key No.	Part No.	Q'ty	Description
1	100 100-1233 0	1	Crankshaft ass'y	1	82	1	H.S.H. bolt 5x30 w/W, SW
2	900 810-0620 2	2	Ball bearing 6202	83	433 026-1233 0	1	Chain catcher
3	900 702-0003 5	1	Crankpin 35	84	990 011-0213 0	2	Rivet
4	100 213-0283 0	1	Oil seal	85	890 110-1233 0	1	Model plate
5	100 213-0031 0	1	Oil seal	86	175 310-1233 0	1	Plate
6	100 242-1233 0	1	Gasket, crankcase	*	175 000-1233 0	1	Clutch ass'y
7*	100 200-1233 1	1	Crankcase set	87	175 016-0343 0	1	Clutch boss
8	100 215-0383 0	2	Knock pin	88	175 017-0283 0	3	Clutch shoe
9	130 110-1233 0	1	Pipe, impulse	89	175 018-0283 0	1	Clutch spring
10	100 131-0162 0	1	Woodruff key	90	175 005-1103 0	1	Clutch drum
11	100 012-0031 0	2	Needle bearing	91	175 015-0343 0	1	Washer
12	100 015-0012 0	2	Crankpin, piston pin	92	100 129-0343 0	1	Nut, L.H
13	100 013-0041 0	1	Piston pin	96	433 028-1103 0	1	Clip
14	100 010-1233 0	1	Piston	97	433 016-1103 0	1	Screw, adjustment
15	100 011-1233 0	2	Piston ring	98	433 014-0283 0	1	Tensioner
16	101 010-1233 0	1	Gasket, cylinder base	109	433 105-1233 0	1	Hand guard (Brake handle)
17	101 011-1233 0	1	Cylinder	110	433 134-1233 0	1	Bolt
18	900 162-0620 2	9	H.S.H. bolt 5x20 w/W, SW	111	433 114-1233 0	1	Spring
19	900 241-0501 0	4	Screw 5x10 w/W, SW	112	433 116-1233 0	1	Stopper
20	130 505-1233 0	1	Adapter, intake	117	433 310-1233 0	1	Cover
21	130 010-1233 0	1	Gasket	121	351-834-1233 0	1	Stopper
22	101 514-1233 0	1	Cylinder cover	122	900 600-0000 6	1	Washer 6
23	145 510-1233 0	1	Gasket, muffler	123	433 013-1233 0	1	Side plate
24	145 610-1233 0	1	Muffler	124	433 012-1233 0	1	Side plate
25	130 031-1023 0	1	Washer	125	900 240-0300 6	2	Screw 3x6
26	900 162-0620 5	2	H.S.H. bolt 5x35 w/W, SW	127	433 010-1233 0	1	Cover, guide bar
40	156 101-1123 0	1	Breaker point set	128	433 019-1233 0	2	Flange nut
41	900 242-0401 0	8	Screw 4x10 w/W, SW	129	990 021-0363 0	1	Decal, ECHO
42	156 134-0453 0	1	Oil pad	130	432 025-1233 0	1	Protector
43	156 128-1123 1	1	Breaker cover	131	430 211-1013 0	1	Guide bar
44	900 242-0301 8	2	Screw 3x18 w/W, SW	132	431 011-1233 0	1	Saw chain
45	156 112-1233 0	1	Clamp				
46	156 104-1123 0	1	Condenser				
47	156 205-1233 0	1	Flare nut				
48	900 611-0000 8	1	Lock washer 8				
49	900 500-0000 8	1	Nut 8				
50	156 108-1233 0	1	Ignition coil				
51	900 242-0402 0	5	Screw 4x20 w/W, SW				
52	150 117-0393 0	1	Spacer				
53	150 110-0393 0	1	Grommet				
54	156 010-1233 0	1	Spark plug				
55	156 011-0343 1	1	Cap, spark plug				
56	156 012-0343 2	2	Cap, spark plug				
61	177 234-1233 0	2	Ratchet spring				
62	177 247-1233 0	2	Spacer, ratchet				
63	177 218-1233 0	2	Ratchet				
64	900 502-0000 5	2	Washer 5				
65	900 100-0501 8	2	Bolt 5x18				
66	101 535-1233 0	1	Fan cover, inner				
75	437 016-1113 0	1	Screw				
76	900 220-0501 0	2	Screw 5x10				
77	437 059 1113 2	1	Lock washer				
78*	437 002-0343 1	1	Plunger & cylinder set				
79	437 019-0283 0	3	O-ring				
80	437 019-0283 0	1	Spring, pump plunger				
81	433 011-1233 0	2	Stud bolt				
82	900 162-0620 0	1	H.S.H. bolt 5x30 w/W, SW				
83	433 026-1233 0	1	Chain catcher				
84	990 011-0213 0	2	Rivet				
85	890 110-1233 0	1	Model plate				
86	175 310-1233 0	1	Plate				
87	175 000-1233 0	1	Clutch ass'y				
88	175 016-0343 0	1	Clutch boss				
89	175 017-0283 0	3	Clutch shoe				
90	175 018-0283 0	1	Clutch spring				
91	175 005-1103 0	1	Clutch drum				
92	100 129-0343 0	1	Nut, L.H				
96	433 028-1103 0	1	Clip				
97	433 016-1103 0	1	Screw, adjustment				
98	433 014-0283 0	1	Tensioner				
109	433 105-1233 0	1	Hand guard (Brake handle)				
110	433 134-1233 0	1	Bolt				
111	433 114-1233 0	1	Spring				
112	433 116-1233 0	1	Stopper				
117	433 310-1233 0	1	Cover				
121	351-834-1233 0	1	Stopper				
122	900 600-0000 6	1	Washer 6				
123	433 013-1233 0	1	Side plate				
124	433 012-1233 0	1	Side plate				
125	900 240-0300 6	2	Screw 3x6				
127	433 010-1233 0	1	Cover, guide bar				
128	433 019-1233 0	2	Flange nut				
129	990 021-0363 0	1	Decal, ECHO				
130	432 025-1233 0	1	Protector				
131	430 211-1013 0	1	Guide bar				
132	431 011-1233 0	1	Saw chain				
145	806-1233 0	1	Adapter				
900	240-0503 5	2	Screw 5x35 w/W				
145	862-1233 0	1	Screen				
145	863-1233 0	1	Screen holder				
145	643-0373 0	2	Screw 5x8				
145	871-1233 0	1	Muffler cover				
900	242-0402 0	3	Screw 4x20 w/W, SW				
101	579-1233 0	1	Plate, cylinder cover				
900	242-0401 0	3	Screw 4x10 w/W, SW				
156	010-1233 0	1	Spark plug (R.F.I.)				
900	105-0501 2	2	H.S.H. bolt 5x12				
880	210-1233 0	1	Spikes bumper				
900	500-0000 5	2	Nut 5				
900	241-0501 0	1	Screw 5x10 w/W, SW				
433	115-1233 0	1	Spacer				
433	117-1233 0	1	Connector				
433	312-1233 0	1	Cover, brake band				
433	313-1233 0	1	Dust seal				
433	142-1233 0	1	Adjuster, brake band				
433	123-1233 0	1	Brake band				
433	144-1233 0	1	Retainer, brake band				

Remarks:
 7* Consisting of 7A, 7B and 8.
 78* Consisting of 78A and 78B.
 * Consisting of 87 thru 89.





Key No.	Part No.	Q'ty	Description	Key No.	Part No.	Q'ty	Description
2-1	890 151-1233 0	1	Decal, caution	2-27	131 010-1233 0	1	Fuel tank
*	130 302-1233 0	1	Cover ass'y, air cleaner	28	890 153-0393 0	1	Decal, oil
2	-130 313-1233 0	1	Cover, air cleaner	***	436 001-1233 0	1	Cap ass'y, oil tank
3	-130 426-1233 0	1	Spring	29	436 000-1233 0	1	Gasket, oil tank
4	-130 425-1233 0	1	Key, air cleaner cover	30	436 012-1233 0	1	Gasket, oil tank cap
5	-130 427-1233 0	1	Adapter, key	31	131 038-1233 0	1	Connector
6	900 242-0401 4	1	Screw	32	436 010-1233 0	1	Check oil tank
7	130 310-1233 0	1	Air filter	33	436 205-0283 2	1	Oil strainer
8	130 320-1233 0	1	Seal	34	132 115-1233 0	2	Grommet
9	130 420-1233 0	1	Plate	35	437 210-1233 0	1	Oil pipe
10	123 000-1233 0	1	Carburetor ass'y	36	132 010-1233 0	1	Fuel pipe
11	130 511-1233 0	1	Holder, intake adapter	37	131 205-0522 0	1	Fuel strainer
12	130 013-1233 0	1	Adapter, carburetor	38	900 600-0000 6	1	Washer 6
13	900 220-0504 2	2	Screw 5x42	****	177 200-1233 0	1	Recoil starter ass'y
14	351 137-1233 0	1	Stopper, cushion	41	900 220-0501 0	1	Screw 5x10
15	900 242-0401 0	5	Screw 4x10 w/W, SW	42	177 214-0283 0	1	Washer
18	900 162-0502 0	8	H.S.H. bolt 5x20 w/W, SW	43	177 226-0283 0	1	Starter rope
19	351 611-1053 0	1	Insert, front handle	44	177 206-1233 0	1	Recoil drum
20	351 606-1233 0	1	Front handle	45	177 216-1233 0	1	Bush
21	351 612-1233 0	1	Insert, front handle	46	177 242-1233 0	1	Side plate
22	890 154-0393 0	1	Decal, fuel mix	47	177 220-0283 4	1	Rewind spring
**	131 004-0483 1	1	Cap ass'y fuel tank	48	177 224-0283 0	1	Side plate
23	-131 017-0493 0	1	Cap, fuel tank	49	177 228-1233 0	1	Starter handle
24	-131 314-0033 0	1	Check valve	50	177 227-0023 0	1	Rope guide
25	-131 015-0493 1	1	Holder, check valve	51	101 507-1233 0	1	Fan cover

Key No.	Part No.	Q'ty	Description	Key No.	Part No.	Q'ty	Description
2-52	890 112-1233 0	1	Decal, ECHO	2-10*	123 000-1233 0	1	Carburetor ass'y
56	100 905-1233 0	2	Cushion	1	-123 110-0393 0	1	Screw, pump cover
57	100 910-1233 0	4	Cushion	2	-123 124-1233 0	1	Cover, fuel pump
58	100 915-1233 0	4	Screw	3	-123 125-1233 0	1	Gasket, fuel pump
59	100 918-1233 0	4	Plug	4	-123 112-1233 0	1	Diaphragm, fuel pump
60	351 123-1233 0	1	Supporter	5	-123 114-0393 0	3	Screw throttle valve
61	351 138-1233 0	1	Cover, cushion	6	-123 132-1233 0	1	Valve, choke
62	100 921-1233 0	1	Cushion	7	-123 136-1063 0	1	Ball, choke friction
63	900 605-0000 5	1	Spring washer 5	8	-123 135-1063 0	1	Spring, choke friction
65	163 400-1233 0	1	Switch	9	-123 126-0393 0	1	Screen, inlet
66	178 810-1233 0	1	Grommet	11	-123 113-1233 0	1	Spring, throttle return
67	178 510-1233 0	1	Choke rod	12	-123 117-1233 0	1	Shaft ass'y, throttle
68	351 111-1233 0	1	Rear handle	13	-123 116-0393 0	1	Valve, throttle
69	351 111-1233 0	1	Grp, rear handle	14	-123 131-1233 0	1	Shaft ass'y, choke
70	178 011-1233 0	1	Throttle rod	15	-123 156-1233 0	1	Throttle stop
71	178 010-1233 0	1	Throttle trigger	16	-123 133-1113 0	1	Spring, idle screw
72	900 340-5002 5	1	Spring pin 5x25	17	-123 134-0653 0	1	Screw, idle adjustment
73	900 340-4001 3	2	Spring pin 4x13	18	-123 118-0393 0	1	Needle, idle
74	178 090-1233 0	1	Safety lock	19	-123 121-0393 0	2	Spring, needle
75	178 081-1053 1	1	Spring, safety lock	20	-123 120-1233 0	1	Needle, high speed
76	900 340-1801 0	1	Spring pin 1.5x10	22	-123 122-0393 0	1	Spring, metering lever
77	178 012-0393 0	1	Throttle lock	23	-123 137-0393 0	1	Valve, inlet needle
78	178 013-0393 0	1	Spring, throttle lock	24	-123 164-1233 0	1	Gasket, circuit plate
79	178 008-0343 0	1	Lock lever, throttle	25	-123 166-1233 0	1	Plate, circuit
				26	-123 167-1233 0	2	Screw, circuit plate
				27	-123 140-1063 0	1	Gasket, metering diaphragm
				28	-123 141-1233 0	1	Screw, metering diaphragm
				29	-123 142-1233 0	1	Cover, metering diaphragm
				30	-123 144-0393 0	4	Screw
				31	-Not Available	1	Body ass'y, carburetor

Remarks:
 * Consisting of 2 thru 6.
 ** Consisting of 23 thru 25.
 *** Consisting of 29 and 30.
 **** Consisting of 41 thru 51.

Remarks:
 2-10* Consisting of 1 thru 31.
 Except 10 and 21.