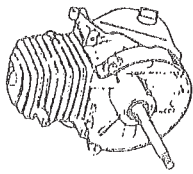


CILINDRO-MARMITTA-ACCENSIONE / CYLINDRE-POT D'ECHAPPEMENT-ALLUMAGE  
CYLINDER-MUFFLER-IGNITION / CILINDRO-ESCAPE-ENCENDIDO

DATA / DATE  
15.10.1982

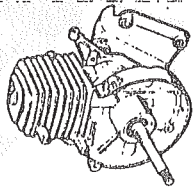
VECCHIO - OLD - ANCIEN  
SHORT BLOCK

22 CC. -  
26 CC. -

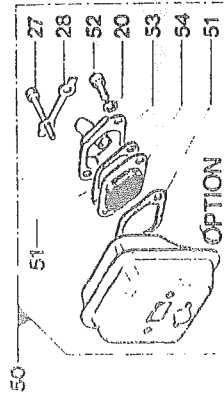
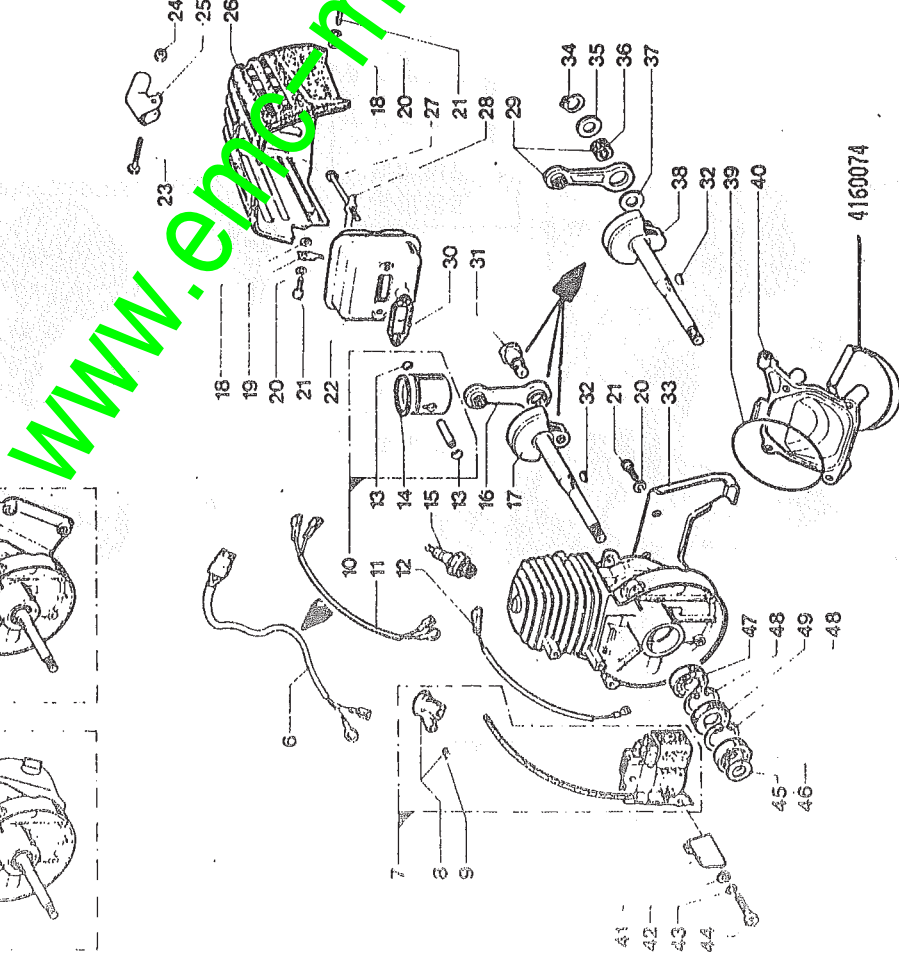
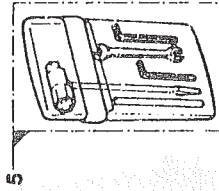


NUOVO NEW NOUVEAU  
SHORT BLOCK

22 CC. - 3  
26 CC. - 4



MODELES  
DB 23 / 011 F / DB11  
DB 24 / 011 R / DB11  
DB 28 / VAP 300  
DB 33 / 012 R  
DB 33 / 012 RD



OPTION

01

REF. PART. NO.  
SCHEMATA DA  
RIPILARE PER  
RIPILARE PER

3	4460417	
4	4460418	
5	4160337	
6	4161187	
7	4095203	
8	4098017	
9	4098064	
10	4486698	→ 4098064
11	4161030	
12	4484220	→ 4179223
13	4098417	
14	4160025	
15	4160024	
16	4161026	
17	3055035	
18	4486001	→ 4160371
19	3916005	
20	3044050	
21	3819006	
22	3801009	
23	4160079	
24	3908005	
25	4165037	
26	4160076	
27	3806027	
28	4095211	
29	4161280	
30	4161182	
31	4160066	
32	4098232	
33	4166001	
34	3074070	
35	3154035	
36	3030061	
37	4160073	
38	4160075	
39	3049020	
40	4160074	
41	4160146	
42	3316004	
43	3819005	
44	3801003	
45	4160124	
46	3035023	
47	3034010	
48	3025019	
49	3050007	
50	4160300	
51	4160301	
52	3801008	
53	4160299	
54	4160298	

\* 6 4179023  
4161454

CILINDRO-MARMITTA-ACCENSIONE / CYLINDRE-POT D'ECHAPPEMENT-ALLUMAGE  
CYLINDER-MUFFLER-IGNITION / CILINDRO-ESCAPE-ENCENDIDO

DATA / DATE  
15.10.1982

DESCRIZIONE ITALIANO	DESCRIPTION FRANCAIS	DESCRIPTION ENGLISH	DESCRIPCION ESPANOL
SHORT BLOCK 22 cc	SHORT BLOCK 22 cc	SHORT BLOCK 22 cc	SHORT BLOCK 22 cc
SHORT BLOCK 26 cc	SHORT BLOCK 26 cc	SHORT BLOCK 26 cc	SHORT BLOCK 26 cc
BUSTA ATTREZZI	TOUSSE OUTILS	TOOL KIT	SE "HERRAMIENTAS"
BOBINA	CABLE	WIRE	CABLE
PIPETTA + MOLLA	BOBINE PIFELON (extra)	COIL	BOBINA
MOLLA	CAPUCHON + RESSORT	SPRING	CAPUCHON + RESSORT
PIST. COMPL. 22 cc	PISTON COMPL. 22 cc	PISTON 22 cc	PIST COMPL. 22 cc
PIST. COMPL. 26 cc	PISTON COMPL. 26 cc	COMPL. PISTON 26 cc	PIST COMPL. 26 cc
CAVETTO	CABLE	WIRE	CABLE
ANELLO ELASTICO	CIRCLIPS	CLIPS	CIRCLIPS
SEGMENTO 22 cc	SEGMENT 22 cc	PIST. RING 22 cc	ANELLO 22 cc
SEGMENTO 26 cc	SEGMENT 26 cc	PIST. RING 26 cc	ANELLO 26 cc
CANDELA	BOUGIE	SPARK PLUG	BUJIA
BIELLA	BIELLE	ROD	BIELA
ALBERO MOTORE	VILEBREQUIN	CRANKSHAFT	CIGUENAL
ROSETTA	RONDELLE	WASHER	FRANJELA
LINGUETTA	CLAVETTE	KEY	CHAVETA
ROSETTA	RONDELLE	WASHER	ARANDELA
VITE	VS	SCREW	TORNILLO
MARMITTA	POT D'ECHAPPEMENT	MUFFLER	ESCAPE
VITE	VS	SCREW	TORNILLO
DADO	ECROU	NUT	TUERCA
DEFLETTORE	DEFLECTEUR	BAFFLE	DEFLECTOR
COPRIMARMITTA	PROTECT. POT D'ESCAP	MUFFLER COVER	TAPA ESCAPE
VITE	VS	SCREW	TORNILLO
PLAQUETTE	PLAQUETTE	PLATE	CHAPA
BIELLA	BIELLE	ROD	BIELA
GIUNTA	JOINT	GASKET	JUNTA
PERNO	MANETON	CRANK PIN	PERNO
LINGUETTA	CLAVETTE	KEY	CHAVETA
PIEDINO	SUPPORT	STAND	BASE
ANELLO ELASTICO	CIRCLIPS	CLIPS	CIRCLIPS
PASAMENTO	RONDELLE	WASHER	FRANJELA
GABBIA A RULLINI	ROULEMENTS	ROLLER BEARING	BLUE
PASAMENTO	RONDELLE	WASHER	FRANJELA
ALBERO MOTORE	VILEBREQUIN	CRANKSHAFT	CIGUENAL
OR	OR	OR	OR
COOPERCHIO	COUVERCLE	COVER	TAPA
DEFLETTORE	DEFLECTEUR	BAFFLE	DEFLECTOR
RONDELLE	RONDELLE	WASHER	ARANDELA
RONDELLE	RONDELLE	WASHER	ARANDELA
VS	VS	SCREW	TORNILLO
RONDELLE	RONDELLE	WASHER	ARANDELA
ROULEMENT	ROULEMENT	BEARING	COUINETE
CUSCINETTO	CUSCINETTO	BEARING	COUINETE
ANELLO ELASTICO	CIRCLIPS	S"MAP RING	CLIPS
BAGUE D'TANCH.	SEALING RING	RETEN	RETEN
POT D'ESCAP. COMPL.	POT D'ESCAP. COMPL.	COMPL. MUFFLER	ESCAPE
GIUNTA	JOINT	GASKET	JUNTA
VITE	VS	SCREW	TORNILLO
COOPERCHIO	COUVERCLE	COVER	TAPA
SPEGNIFFAMMA	CACHE-FLAMMES	SPARK ARRESTER	AHOGALLAMA

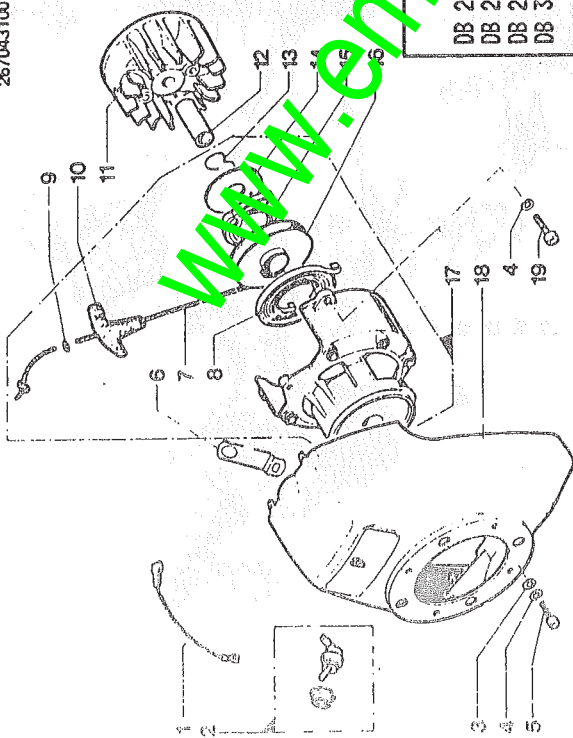
CABLE ELECT POUR WALBRO WZ (plastique)  
CABLE ELECT POUR WALBRO WYK (aluminium)

02

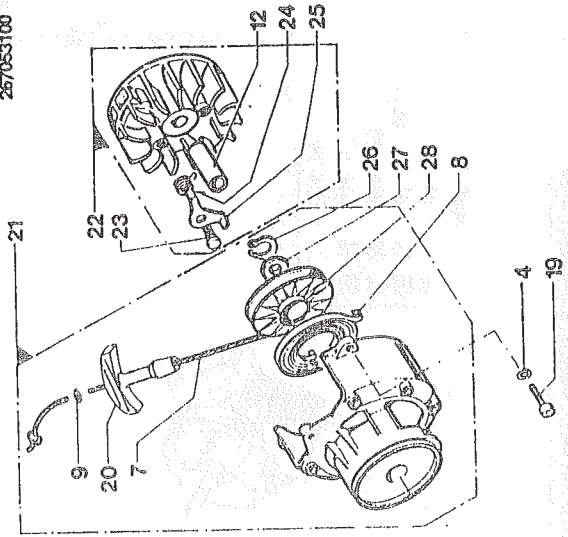
AVVIAMENTO / DEMARRAGE  
STARTER / PUESTA EN MARCHA

DATA, DATE  
15.10.1992

FINO - JUSQU'A - TILL - HASTA  
part. n. 227024100  
267043100



DAL - DEPUIS - FROM - DESDE  
part. n. 227024100  
267053100



AVVIAMENTO / DEMARRAGE  
STARTER / PUESTA EN MARCHA

DATA, DATE  
15.10.1992

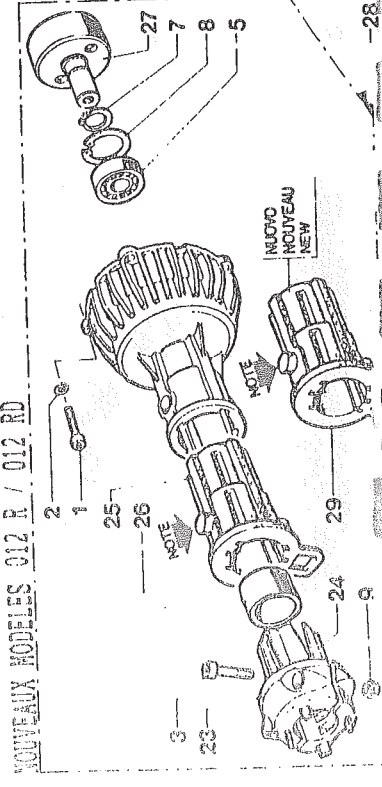
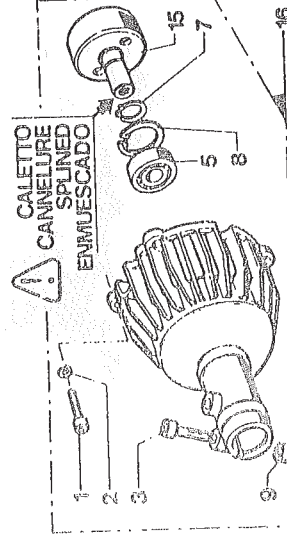
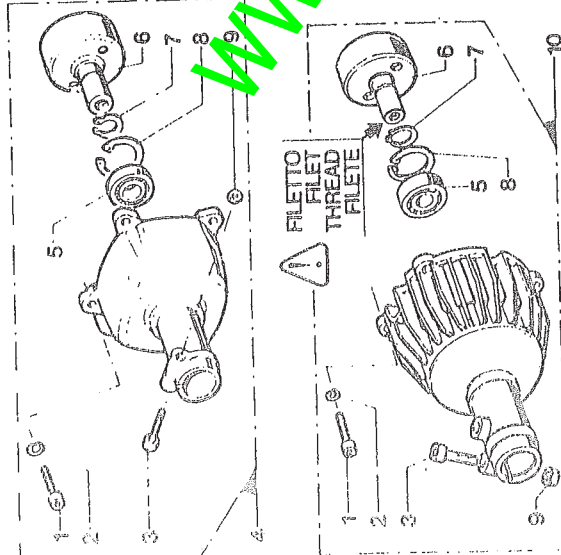
REF.	PART. NO.	SOSTITUIRE REPLACE PAR REPLAZAR BY	DESCRIZIONE ITALIANO	DESCRIPTION FRANCAIS	DESCRIPTION ENGLISH	DESCRIPCIÓN ESPAÑOL
1	4098015		CAVETTO	CABLE	WIRE	CABLE
2	2047000	→ 2317008	INTERUTTORE	INTERRUPTEUR	SWITCH	INTERUPTOR
3	3916005		ROSETTA	RONDELLE	WASHER	ARANDELA
4	3819006		ROSETTA	RONDELLE	WASHER	ARANDELA
5	3801009		VITE	VIS	SCREW	ORNILLO
6	4161007		AMIERINO	LANGUETTE	PLATE	PLACUETA
7	4160125		CORDA	CORDE	ROPE	CUERDA
8	4095034	→ 4000132	MOLLA	RESSORT	SPRING	RESORTE
9	3916004		ROSETTA	RONDELLE	WASHER	ARANDELA
10	4098000	→ 4191020	IMPUGNATURA	POIGNEE	HANDLE	EMPUÑADURA
11	4160109		VOLANO	VOLANT	FLYWHEEL	VOLANTE
12	4160072		DISTANZIALE	ENTRETOISE	SPACER	SEPARADOR
13	4160220		MOLLA	RESSORT	SPRING	RESORTE
14	4160081		LAMIERINO	RONDELLE	WASHER	ARANDELA
15	4160293		CRICCHETTO	CLUQUET	PAWL	USA
16	4160051		PULEGGIA	POULEE	PULLEY	POLEA
17	4160051		CARTER AVV. COMPL.	CARTER DEM. COMPL.	COMPL. STARTER HOUS.	CARTER ARRANDE. COMPL.
18	4460407	→ 4161281	CONVOGL. ROSSO	COUV. VENTIL. ROUGE	FAN COVER RED	CARTER ROJO
19	4460408	→ 4161294	CONVOGL. GIALLO	COUV. VENTIL. JAUNE	FAN COVER YELLOW	CARTER AMARILLO
20	4191020		6004-HEATL-ORANGE	6004-HEATL-ORANGE	6004-HEATL-ORANGE	6004-HEATL-ORANGE
21	4464460	→ 4161361	IMPUGNATURA	POIGNEE	HANDLE	EMPUÑADURA
22	4464460	→ 4161264	CARTER AVV. COMPL.	CARTER DEM. COMPL.	COMPL. ST. HOUSING	CARTER A-ARANDE. COMPL.
23	4161151		VOLANO COMPL.	VOLANT COMPL.	COMPL. FLYWHEEL	VOLANTE COMPL.
24	4161186		PERNO	AXE	PIN	PERNO
25	4464448	→ 4138441	MOLLA	RESSORT	SPRING	RESORTE
26	3024018		CRICCHETTO	CLUQUET	PAWL	USA
27	4161150		ANELLO ELASTICO	CRIPCLIPS	SNAP RING	CLIPS
28	4161148		ROSETTA	RONDELLE	WASHER	ARANDELA
			PULEGGIA	POULEE	PULLEY	POLEA

INFORMATION  
Les deux montages sont interchangeables  
comme ensemble seulement.  
Rep. 17+11 = Rep. 21+22

GRUPPO FRIZIONE / GROUPE EMBRAYAGE  
CLUTCH and DRUM ASSY / GRUPO EMBRAGUE

DATA DATE  
15.10.1982

MODELES  
DB 24 / 011 R / DB11  
DB 28 / VAP 300  
DB 33 / 012 R  
/ 012 RD



www.emc-motoculture.com

GRUPPO FRIZIONE / GROUPE EMBRAYAGE  
CLUTCH and DRUM ASSY / GRUPO EMBRAGUE

DATA DATE  
15.10.1982

SOSTITUTO DA  
REPLACE PAR  
REPLAZA BY

REF.	PART. NO.	DESCRIZIONE ITALIANO	DESCRIPTION FRANCAIS	DESCRIPTION ENGLISH	DESCRIPCION ESPANO.
1	3801011	VITE	VIS	SCREW	TORNILLO
2	3819006	ROSETTA	ROUNDELE	WASHER	ARANDELA
3	3801016	VITE	VIS	SCREW	TORNILLO
4	4160053	CUFFIA FRIZ. COMPL.	CARTER EMBR. COMPL.	CLUTCH-HOLDSING	CUBRE EMBR. COMPL.
5	3035023	CUSCINETTO	ROULEMENT	BEARING	COJINETE
6	4160056	CAMPANA FRIZ.	TAMBOUR EMBRAY	CLUTCH-DRUM	CAMPANA EMBRAGUE
7	3024012	ANELLO ELASTICO	CIRCLIPS	SNAP RING	CLIPS
8	3025019	ANELLO ELASTICO	CIRCLIPS	SNAP RING	CLIPS
9	3914003	J-ADO	ECCROU	NUT	TUERCA
10	4161279	CUFFIA FRIZ. COMPL.	CARTER EMBR. COMPL.	CLUTCH-HOLDS	CUBRE EMBR. COMPL.
11	4469859	PATTINO	MOYEU	SHOE	ZARBATA
12	4469867	TRASCRITTORE	MOYEU	DRIVER	ARRASTRADOR
13	4469864	MOLLA	RESSORT	SPRING	RESORTE
14	4469863	FRIZIONE COMPL.	EMBRAY COMPL.	COMP. CLUTCH	EMBRAGUE COMPL.
15	4161328	CAMPANA FRIZ.	TAMBOUR EMBRAY	CLUTCH DRUM	CAMPANA EMBR.
16	4161332	CUFFIA FRIZ. COMPL.	CARTER EMBR. COMPL.	COMP. CLUTCH-HOLS	CUBRE EMBR. COMPL.
17	4161199	TRASCRITTORE	MOYEU	DRIVER	ARRASTRADOR
18	3918007	ROSETTA	ROUNDELE	WASHER	ARANDELA
19	4161202	FRIZIONE COMPL.	EMBRAY COMPL.	COMP. CLUTCH	EMBRAGUE COMPL.
20	4161200	MOLLA	RESSORT	SPRING	RESORTE
21	3806035	VITE	VIS	SCREW	TORNILLO
22	4161201	DISTANZIALE	ENTRETOISE	SPACER	SEPARADOR
23	4161339	COLLARE SUP.	COLLIER SUP	UPPER COLLAR	ABRAZADERA SUP.
24	4161340	COLLARE INF.	COLLIER INF	LOWER COLLAR	ABRAZADERA INF.
25	4161338	AMMORTIZZATORE	AMORTISSEUR	ANTI-VIBRATION	ANTI-VIBRADOR
26	4161364	DISTANZIALE	ENTRETOISE	SPACER	SEPARADOR
27	4161345	CAMPANA FRIZ.	TAMBOUR EMBRAY	CLUTCH DRUM	CAMPANA EMBRAGUE
28	4161367	CUFFIA FRIZ. COMPL.	CARTER EMBR. COMPL.	COMP. CLUTCH-HOLS	CUBRE EMBR. COMPL.
29	4161428	AMMORTIZZATORE	AMORTISSEUR	ANTI-VIBRATION	ANTI-VIBRADOR

SERBATOIO / RÉSERVOIR  
GAS TANK / DEPOSITO de COMBUSTIBLE

DATA DATE  
15.10.1992

SERBATOIO / RÉSERVOIR  
GAS TANK / DEPOSITO de COMBUSTIBLE

DATA DATE  
15.10.1992

ESPAÑOL  
Español

DESCRIPCIÓN  
ESPAÑOL

DESCRIPTION  
ENGLISH

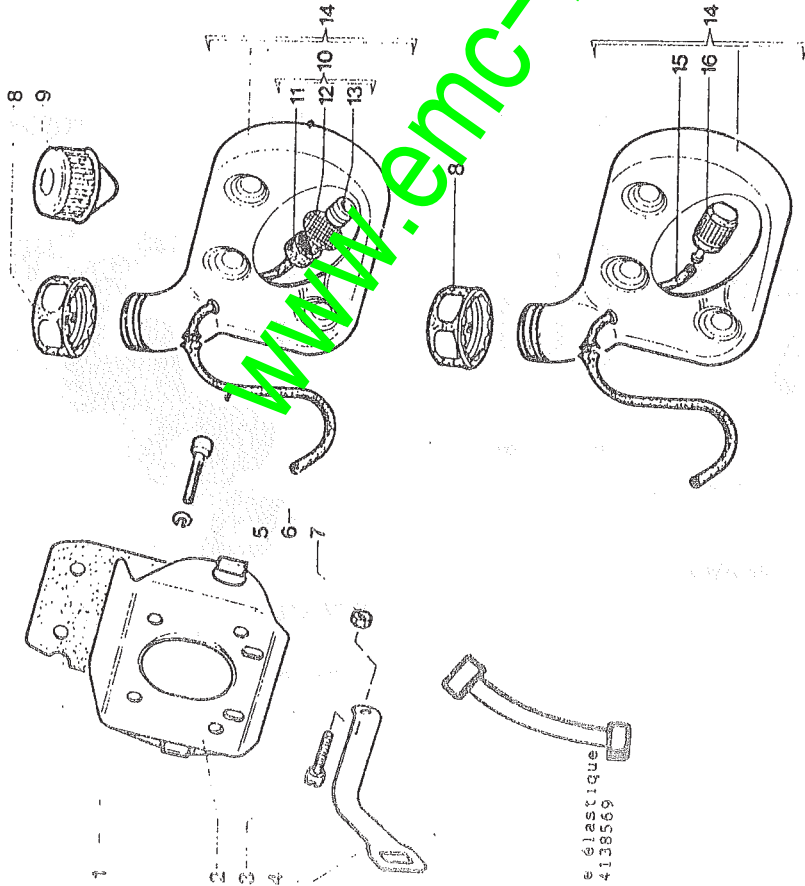
DESCRIPTION  
FRANÇAIS

DESCRIZIONE  
ITALIANO

SUBSTITUTE OR  
REPLACE PART  
REPLACED BY

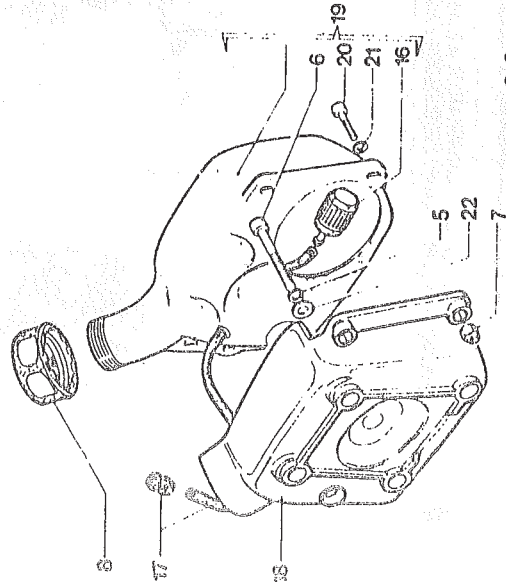
REF. PART. NO.

1	4160234	ISOLANTE	INSULANTE	ECROU THERMIQUE	INSULATOR	PANEL ATERMICO
2	4160233	SUPPORTO	SUPPORTO	SUPPORT	SUPPORT	SOPORTE
3	3908040	VITE ...	VITE ...	VIS ...	SCREW	TORNILLO
4	4160158	FASCETTA	FASCETTA	COLLIER	CLAMP	ABRAZADERA
5	3819006	ROSETTA ...	ROSETTA ...	RONDELLE	WASHER	ARANDELA
6	3801017	VITE ...	VITE ...	VIS ...	SCREW	TORNILLO
7	3914002	DADO	DADO	ECROU	NUT	TUERCA
8	4098701	TAPPO	TAPPO	BOUCHON	STOP	TAPA
9	4098466	FILTRO COMPL.	FILTRO COMPL.	BOUCHON	CAP	TAPA
10	4160099	TUBO	TUBO	FILTRE COMPL.	COMPL. FILTER	FILTRO COMPL.
11	4160099	FILTRO	FILTRO	TUYAU	FUEL LINE	TUBO
12	4160099	PESO	PESO	FILTRE	FILTER	FILTRO
13	4160099	SERBATOIO COMPL.	SERBATOIO COMPL.	RESERVOIR COMPL.	COMPL. GAS TANK	DEF. SITO COMPL.
14	4161243	TUBO	TUBO	TUYAU	FUEL LINE	TUBO
15	4151164	FILTRO	FILTRO	FILTRE	FILTER	FILTRO
16	3055091	TUBO	TUBO	TUYAU	FUEL LINE	TUBO
17	4161295	SUPPORTO	SUPPORTO	TUYAU	FUEL LINE	TUBO
18	4161146	SERBATOIO COMPL.	SERBATOIO COMPL.	RESERVOIR COMPL.	COMPL. GAS TANK	DEF. SITO COMPL.
19	4161172	VITE ...	VITE ...	VIS ...	SCREW	TORNILLO
20	3801007	ROSETTA	ROSETTA	RONDELLE	WASHER	ARANDELA
21	3918003					
22	3918005					



Sangle élastique  
réf. 4138569

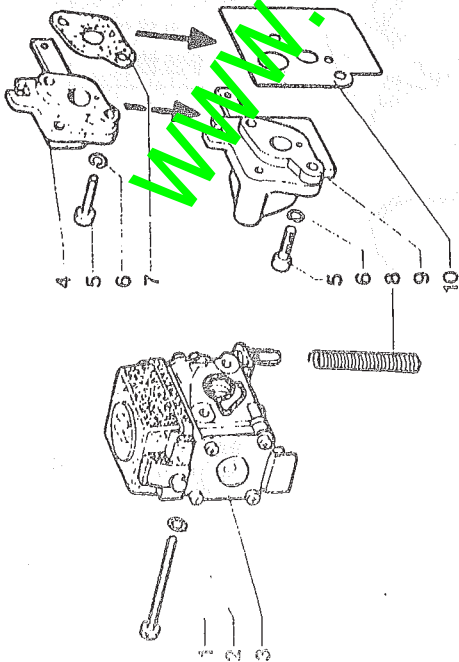
MODELES  
DB 23 / 011 F  
DB 24 / 011 R / DB11  
DB 28 / VAP 300  
DB 33 / 012 R  
/ 012 RD



62 CARBURATORE a FLANGIA TERMICA / CARBURATEUR et FLASQUE THERMIQUE  
 CARBURATOR and INSULATOR / CARBURADOR y AISLANTE

DATA DATE  
 15.10.1982

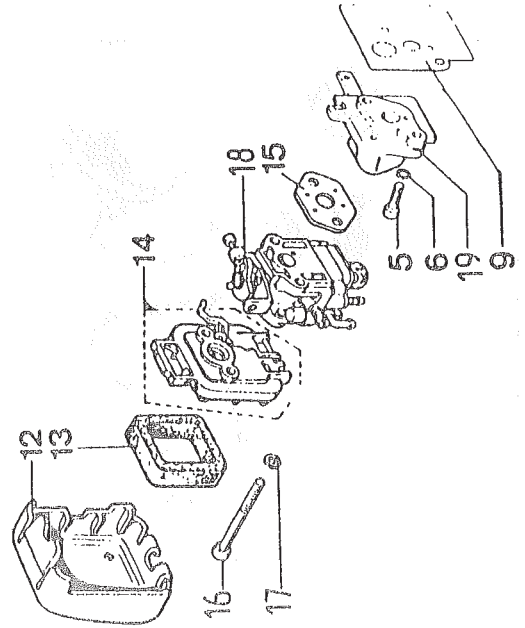
MODELES  
 DB 23 / 011 F  
 DB 24 / 011 R / DB11  
 DB 28 / VAP 300  
 DB 33 / 012 R  
 / 012 RD



▼ Ces 2 montages sont interchangeables.

Ref. 11 — comme ensemble.

▼ Commander le kit complet ref. 4160346 B

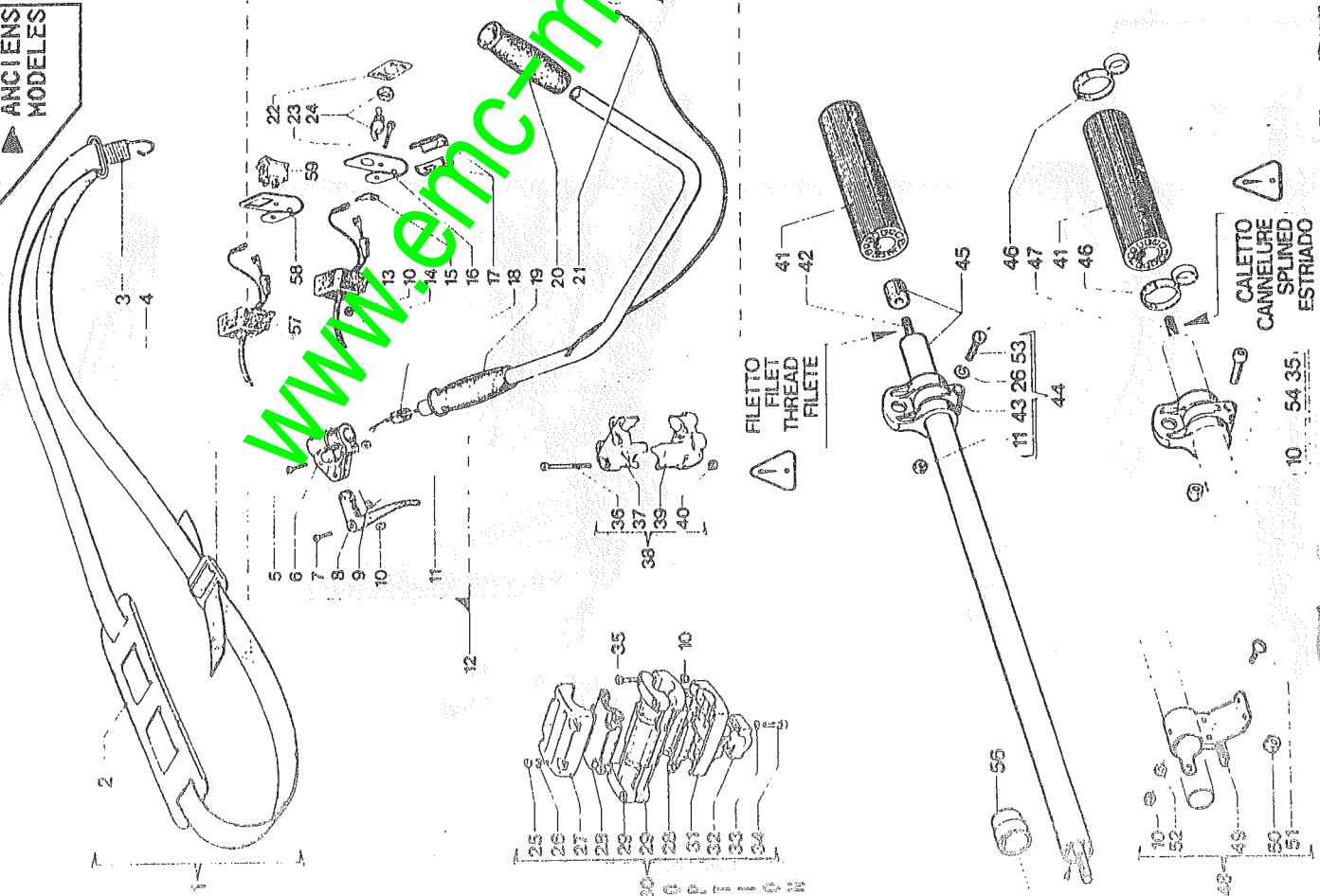


ENVIRONNEMENT CARBURATEUR 22 - 26 cm<sup>2</sup>

REP	REFERENCE	DESIGNATION
1	3908028	VIS
2	3072014	RONDELLE
3	2318260	CARBURATEUR WZ 19 COMPLET
4	4161165	ECRAN THERMIQUE (R.4160070)
5	3801013	VIS
6	3815006	RONDELLE
7	4160294	JOINT (R. 4160085)
8	4098368	RESSORT
9	4161165	ECRAN THERMIQUE
10	4160294	JOINT
11	4160346B	KIT DE TRANSFORMATION COMPLET
12	2318563	COUVERCLE DE FILTRE
13	2318562	FILTRE
14	2318564	SUPPORT DE FILTRE COMPLET
15	4161438	JOINT
16	3801012	VIS
17	3833073	RONDELLE
18	2318560	CARBURATEUR WYK-26A WALBRO
19	4160428	ECRAN THERMIQUE

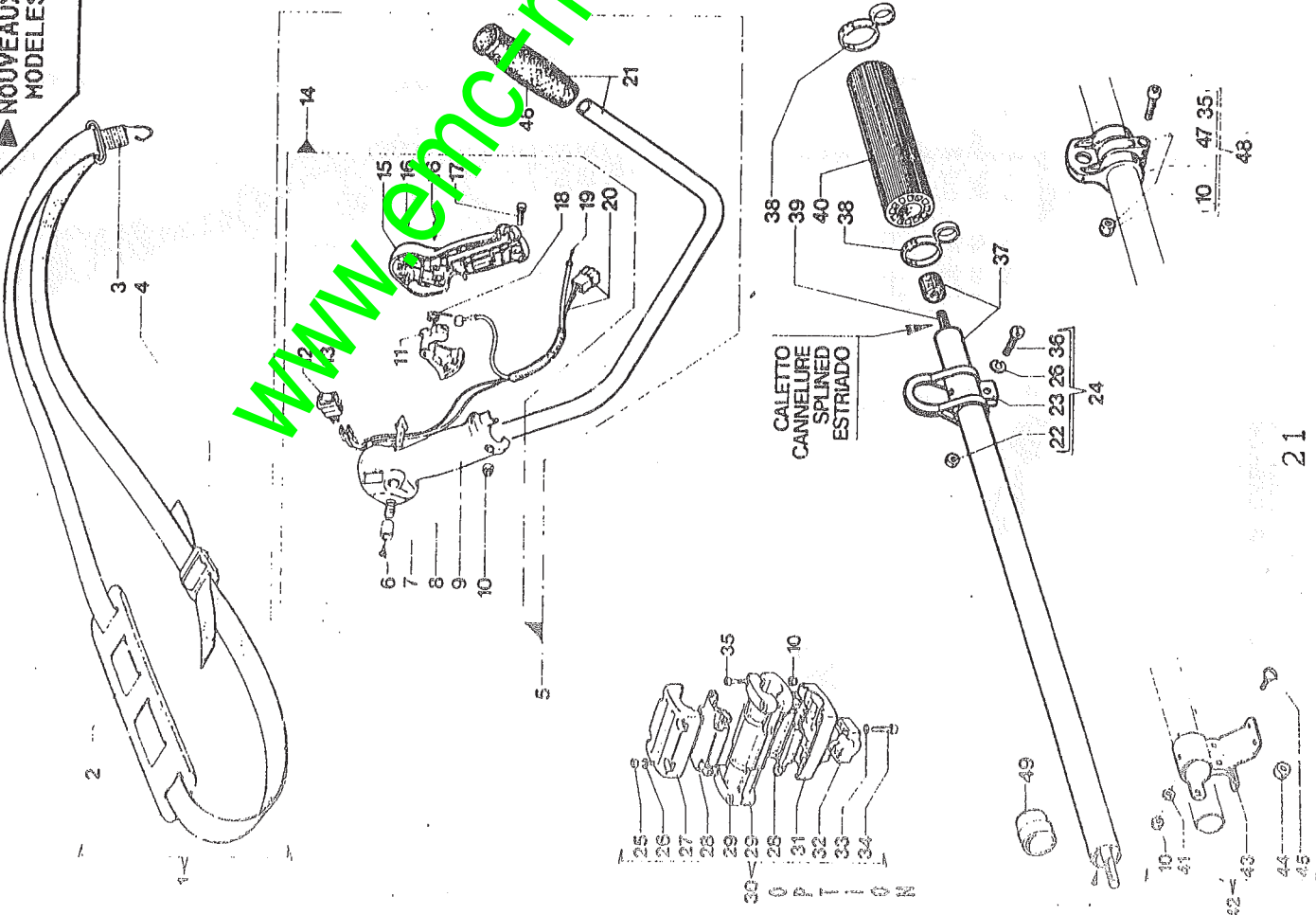
www.emc-motoculture.com

MODELES  
DB 28 / VAP 300  
DB 33 / 012 R  
ANCIENTS  
MODELES



REF. PART. NO.	SOSTITUITO OAI REPLACE PART REPLACED BY	DESCRIZIONE ITAL. NO.	DESCRIPTION FRANCAIS	DESCRIPTION ENGLISH	DESCRIZIONE ESPANOL
1	4098357	CINGHIAGGIO COMPL	HARNAS COMPL	COMPL HARNESS	CORNEAS COMPL
2	4174081	SPALLINA	EPAULETTE	STRAP	CORREA
3	4098812	MOLLA	RESSORT	SPRING	RESORTE
4	4098599	PASSANTE	BOUCLE	LOOP	"EBILLA
5	3908025	VITE	VIS	SCREW	"ORNILLO
6	4098154	SUPPORTO ACCEL	SUPP ACCELER	THROTTLE SUPP	SOPORTE ACELER
7	3908013	VITE	VIS	SCREW	"ORNILLO
8	4098148	LEVA ACCEL	LEVIER	THROTTLE LEVER	BALANZA ACELER
9	4098151	MOLLA	RESSORT	SPRING	RESORTE
10	3914003	DADO	ECROU	NUT	"LIERCA
11	3912005	DADO	ECROU	NUT	"LIERCA
12	4468985	MANUBRIO COMPL	POIGNEE COMPL	COMPL HANDLE	MANUBRIO COMPL
13	4121096	COFERCHIO	COVERCLE	COVER	"TAPA
14	4468986	CAVETTO	CABLE	CABLE	"CABLE
15	3044050	LINGUETTA	LANGUETTE	CONNECTOR	LENGUETA
16	4121080	SUPPORTO	SUPPORTO	SUPPORT	SOPORTE
17	4168007	ADATTATORE	ADAPTATEUR	ADAPTER	ADAPTADOR
18	4160093	CALOTTA	CALOTTE	CAP	CAPUCHON
19	4160032	MANOPOLA	POIGNEE	HAND GRIP	MANOPOLA
20	4160033	MANOPOLA	POIGNEE	HAND GRIP	MANOPOLA
21	4160095	FILO ACCEL	FI ACCELER	THROTTLE CABLE	MANOPOLA
22	4121081	ETICHETTA	DECALCOMANIE	DECAL	HILO ACELERADOR
23	3908031	VITE	VIS	SCREW	PLACA INTERRUPTOR
24	2317008	INTERRUTTORE	INTERRUPTEUR	SWITCH	"ORNILLO
25	3801017	VITE	VIS	SCREW	"ORNILLO
26	3819006	ROSETTA	RONDELLE	WASHER	"ORNILLO
27	4161192	COFERCHIO ROSSO	COVERCLE ROUGE	RED COVER	ARANDELA
28	4161195	COFERCHIO NERO	COVERCLE NOIR	BLACK COVER	TAPA ROJA
29	4161194	ANTIVIBRANT	AMORTISSEUR	SHOCK ABSORBER	TAPA NEGRA
30	4161197	MORSETTO	ETAU	VICE	ANTIVIBRADOR
31	4161247	SUPP COMPL ROSSO	KIT ANTIVIBR ROUGE	RED A.V. SYSTEM	SOPORTE COMPL ROJO
32	4161244	SUPP COMPL NERO	KIT ANTIVIBR NOIR	BLACK A.V. SYSTEM	SOPORTE COMPL NEGRO
33	4161193	SUPPORTO ROSSO	SUPPORTO ROUGE	RED SUPPORT	SOPORTE ROJO
34	4161246	COLLARE ROSSO	COLLIER ROUGE	RED CLAMP	SOPORTE NEGRO
35	3819010	COLLARE NERO	COLLIER NOIR	BLACK CLAMP	SOPORTE NEGRO
36	3819015	ROSETTA	RONDELLE	WASHER	ARANDELA
37	3807022	VITE	VIS	SCREW	"ORNILLO
38	4160037	MOZZO SUP	MOYEU SUP	UPPER HUB	"ORNILLO
39	4160036	MOZZO INF	SUPP MOYEU COMPL	LOWER HUB	SOPORTE A MORSA SUP
40	3912006	DADO	ECROU	NUT	SOPORTE A MORSA INF
41	4160262	MANOPOLA	POIGNEE	HANDGRIP	TUERCA
42	4160006	ASTRAGALO	ARBRE TRANSMISS.	TRANSMISSION SHAFT	MANOPOLA
43	4160046	FASCETTA	COLLIER	CLAMP	EJE TRANSMISS
44	4160047	TUBO COMPL	COLLIER COMPL	CLAMP	ABRAZADERA
45	4160011	FASCETTA	COLLIER COMPL	CLAMP	ABRAZADERA COMPL
46	4160037	FASCETTA	COLLIER COMPL	CLAMP	TUBO COMPL
47	4161330	ASTRAGALO	ARBRE TRANSMISS.	TRANSMISSION SHAFT	ABRAZADERA
48	4160236	FASCETTA	COLLIER	CLAMP	EJE TRANSMISS
49	4160236	FASCETTA	COLLIER	CLAMP	ABRAZADERA COMPL
50	4160209	DISTANZIALE	ENTRETOISE	SPACER	ABRAZADERA
51	3910006	VITE	VIS	SCREW	SEPARADOR
52	3916005	ROSETTA	RONDELLE	WASHER	"ORNILLO
53	3908009	VITE	VIS	SCREW	ARANDELA
54	4161429	FASCETTA	COLLIER	CLAMP	"ORNILLO
55	4161433	ADATTATORE	ADAPTATEUR	ADAPTER	SOPORTE COMPL
56	4161362	COFERCHIO	COVERCLE	COVER	SOPORTE COMPL
57	4121149	SUPPORTO	SUPPORT	ADAPTER	ADAPTADOR
58	4121148	INTERRUTTORE	INTERRUPTEUR	SWITCH	"TAPA
59	2317011	INTERRUTTORE	INTERRUPTEUR	SWITCH	INTERRUPTOR

MODELES  
DB 33  
012 R  
NOUVEAUX  
MODELES



www.enccmotoculture.com

REF.	PART. NO.	DESCRIZIONE ITALIANO	DESCRIPTION FRANCAIS	DESCRIPTION ENGLISH	DESCRIPCION ESPAÑOL
1	4098357	CANGIAGGIO COMPL	HARNAIS COMPL	COMPL - PRESS	"CIRREAS COMPL
2	4174081	SPALLINA	EPAULETTE	STRAP	CIRREA
3	4098812	MOLLA	RESSORT	SPRING	RESORTE
4	4098599	PASSANTE	BOUCLE	LOOP	PASACANTA
5	4161406	MANUBRIO COMPL	MANCHERON COMPL	COMPL - HANDLE	MANUBRIO COMPL
6	3960021	VITE	VIS	SCREW	"ORNILLO
7	4138359	PULSANTE	SCOUTON	SWITCH	"ORNILLO
8	4100998	MOLLA	RESSORT	SPRING	"ORNILLO
9	4161316	IMPUGNATURA SX	POIGNEE GAUCHE	HANDGRIP LEFT	"ORNILLO
10	3914003	DADO	ECROU	NUT	"ORNILLO
11	4174245	LEVA ACCELERATORE	LEVIER	LEVER	"ORNILLO
12	2317011	INTERRUTTORE	INTERLUPTEUR	SWITCH	"ORNILLO
13	4138358	PERNO	PVCT	PIN	"ORNILLO
14	4161411	IMPUGNAT COMPL	POIGNEE COMPL	COMPL HANDGRIP	"ORNILLO
15	4161317	IMPUGNATURA DX	POIGNEE DROITE	HANDGRIP RIGHT	"ORNILLO
16	3960029	VITE	VIS	SCREW	"ORNILLO
17	3801016	VITE	VIS	SCREW	"ORNILLO
18	4138361	VITE	VIS	SCREW	"ORNILLO
19	*	MOLLA	RESSORT	SPRING	"ORNILLO
20	**	CAVETTO	CABLE ACCELER.	THROTTLE CABLE	"ORNILLO
21	4161409	MANUB. + MANOPOLA	MANCH. + POIGNEE	HANDLE + HANDGRIP	"ORNILLO
22	3912005	DADO	ECROU	NUT	"ORNILLO
23	4160433	FASCETTA COMPL	COLLIER COMPL	COMPL CLAMP	"ORNILLO
24	4160433	FASCETTA	COLLIER	CLAMP	"ORNILLO
25	3801017	ROSETTA	RONDELLE	WASHER	"ORNILLO
26	3819006	ROSETTA	RONDELLE	WASHER	"ORNILLO
27	4161245	COPERCHIO ROSSO	COVERCLE ROUGE	RED COVER	"ORNILLO
28	4161195	COPERCHIO NERO	COVERCLE NOIR	BLACK COVER	"ORNILLO
29	4161194	AMORTISANTE	AMORTISSEUR	SHOCK ABSORBER	"ORNILLO
30	4161197	MORSETTO	ETAU	VICE	"ORNILLO
31	4161247	SUPP. COMPL ROSSO	KIT ANTIVIB. ROUGE	RED A.V. SYSTEM	"ORNILLO
32	4161191	SUPP. COMPL NERO	KIT ANTIVIB. NOIR	BLACK A.V. SYSTEM	"ORNILLO
33	4161244	SUPPORTO ROSSO	SUPPORT ROUGE	BLACK SUPP.	"ORNILLO
34	4161193	SUPPORTO NERO	SUPPORT NOIR	BLACK SUPP.	"ORNILLO
35	4161194	COLLARE ROSSO	COLLIER ROUGE	RED CLAMP	"ORNILLO
36	3801015	COLLARE NERO	COLLIER NOIR	BLACK CLAMP	"ORNILLO
37	3908009	ROSETTA	RONDELLE	WASHER	"ORNILLO
38	4160011	TUBO COMPL	TUYAU COMPL	COMPL TUBE	"ORNILLO
39	4100374	FASCETTA	COLLIER	CLAMP	"ORNILLO
40	4160362	MANOPOLA	ARBRE TRANSMISS.	TRANSMISS. SHIF	"ORNILLO
41	3916905	ROSETTA	POIGNEE	HANDGRIP	"ORNILLO
42	4160236	FASCETTA COMPL	COLLIER COMPL	COMPL CLAMP	"ORNILLO
43	4160236	FASCETTA	COLLIER	CLAMP	"ORNILLO
44	4160209	DISTANZIALE	ESPACER	SPACER	"ORNILLO
45	3910005	VITE	VIS	SCREW	"ORNILLO
46	4160033	MANOPOLA	POIGNEE	HANDGRIP	"ORNILLO
47	4161429	FASCETTA	COLLIER	CLAMP	"ORNILLO
48	4161430	FASCETTA COMPL	COLLIER COMPL	COMPL CLAMP	"ORNILLO
49	4161362	ADATTATORE	ADAPTEUR	ADAPTER	"ORNILLO

CABLE ACCEL POUR WALBRD WZ (plastique)  
CABLE ACCEL POUR WALBRD WYK(aluminium)

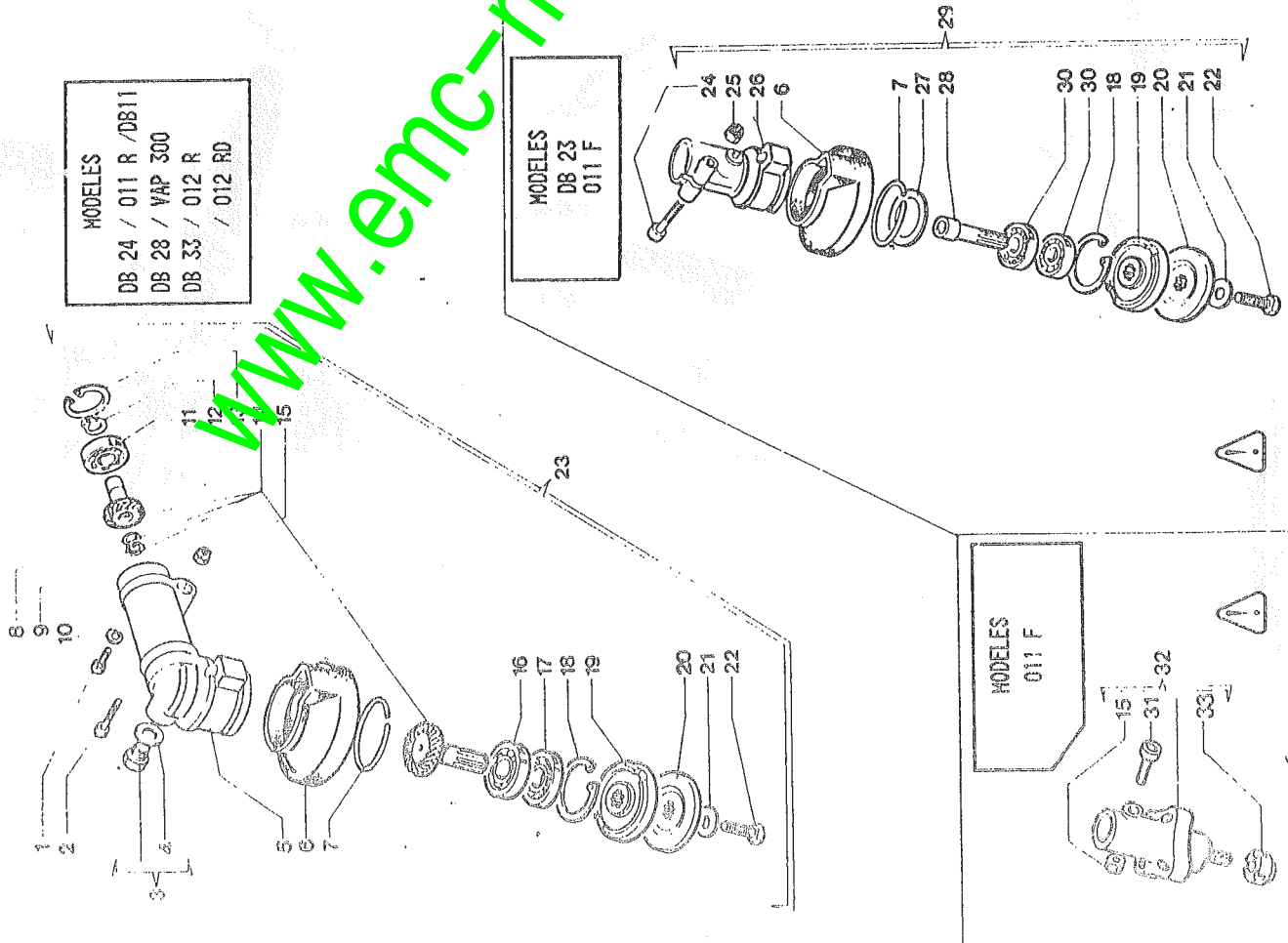
CABLE ELECT POUR WALBRD WZ (plastique)  
CABLE ELECT POUR WALBRD WYK(aluminium)

\* 19 4161386  
4161439

\*\* 20 4161385  
4161440

SCATOLA INGRANAGGI / BOITIER D'ENGRENAGES  
BEVEL GEAR / CABEZAL

DATA DATE  
15 10 1982



SCATOLA INGRANAGGI / BOITIER D'ENGRENAGES  
BEVEL GEAR / CABEZAL

DATA DATE  
15 10 1982

REF.	PART. NO.	SOSTITUITO DA / REPLACE PART / REPLAZZATO DA	DESCRIZIONE ITALIANO	DESCRIPTION FRANCAIS	DESCRIPTION ENGLIS	DESCRIPCION ESPANOL
1	3801008		VITE	VIS	SCREW	*ORNILLO
2	3801015		TAPPO COMPL.	VIS	SCREW	*ORNILLO
3	4998199	→ 4138428	GUARNIZIONE	JOINT	WASHER	*ORNILLO
4	3078011		SCATOLA ING.	BOTIER COUPE CON	TEAR "O" RING	*ORNILLO
5	4166991	→ 4160338	PROTEZIONE	PROTECTION	SEAL	*ORNILLO
6	4162177		MOLLA	RESSORT	SPRING	*ORNILLO
7	4162178		ROSETTA	RONDELLE	WASHER	*ORNILLO
8	4138311		ANELLO ELASTICO	CIRCLIPS	SNAP RING	*ORNILLO
9	3025009		ROSETTA	RONDELLE	WASHER	*ORNILLO
10	3819006		CUSCINETTO	ROULEMENT	BEARING	*ORNILLO
11	3035005		ANELLO ELASTICO	CIRCLIPS	SNAP RING	*ORNILLO
12	3024010		ANELLO ELASTICO	CIRCLIPS	SNAP RING	*ORNILLO
13	3025018		INGRANAGGI	ENGRANAGES	BEVEL GEAR	*ORNILLO
14	4150139		DAO	ECROU	NUT	*ORNILLO
15	3914003		CUSCINETTO	ROULEMENT	BEARING	*ORNILLO
16	3034011		CUSCINETTO	ROULEMENT	BEARING	*ORNILLO
17	3035012		ANELLO ELASTICO	CIRCLIPS	SNAP RING	*ORNILLO
18	3025021		FLANGIA S.P.	FLASQUE SUP	UPPER FLANGE	*ORNILLO
19	4160004		FLANGIA "F"	FLASQUE INF	LOWER FLANGE	*ORNILLO
20	4160005		ROSETTA	RONDELLE	WASHER	*ORNILLO
21	3916008		VITE SX	VIS	SCREW	*ORNILLO
22	3806069		COPPIA CON. COMPL.	REMOI D'ANGLE COMPL.	COMPL. BEVEL GEAR	*ORNILLO
23	4160012		VITE	VIS	SCREW	*ORNILLO
24	3801028		DADO	ECROU	NUT	*ORNILLO
25	3914006	→ 4162174	MOZZO	MOYEU	HUB	*ORNILLO
26	4162028		SPESORE	ENTRETOISE	SPACER	*ORNILLO
27	4162016		PERNO	PIVOT	PIN	*ORNILLO
28	4162016		MOZZO COMPL.	MOYEU COMPL.	COMPL. HUB	*ORNILLO
29	3035032		CUSCINETTO	ROULEMENT	BEARING	*ORNILLO
30	3801016		VITE	VIS	SCREW	*ORNILLO
31	4198011		MOZZO COMPL.	MOYEU COMPL.	COMPL. HUB	*ORNILLO
32	4198011		FLANGIA	FLASQUE	FLANGE	*ORNILLO
33	4198014					*ORNILLO

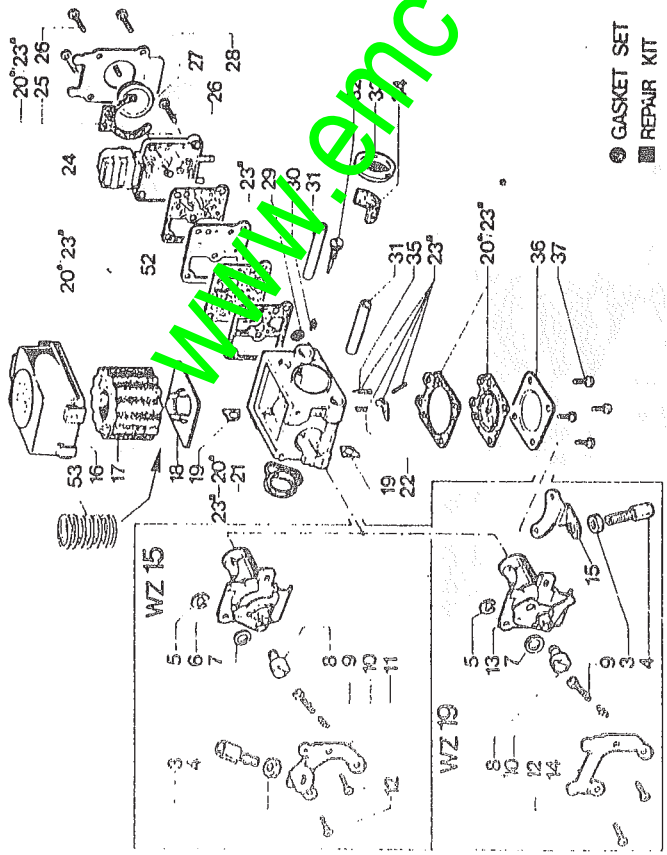
www.emc-motoculture.com



CARBURATORI / CARBURATEURS  
CARBURETORS / CARBURADOR

WALBRO WZ - WZ 15 - WZ 19

Walbro Carburetor WZ 15 1. D841P-D830-D835-D840 jusqu'à SEPT 1987  
WZ 19 2. D830-D840 depuis SEPT 1987



● GASKET SET  
■ REPAIR KIT

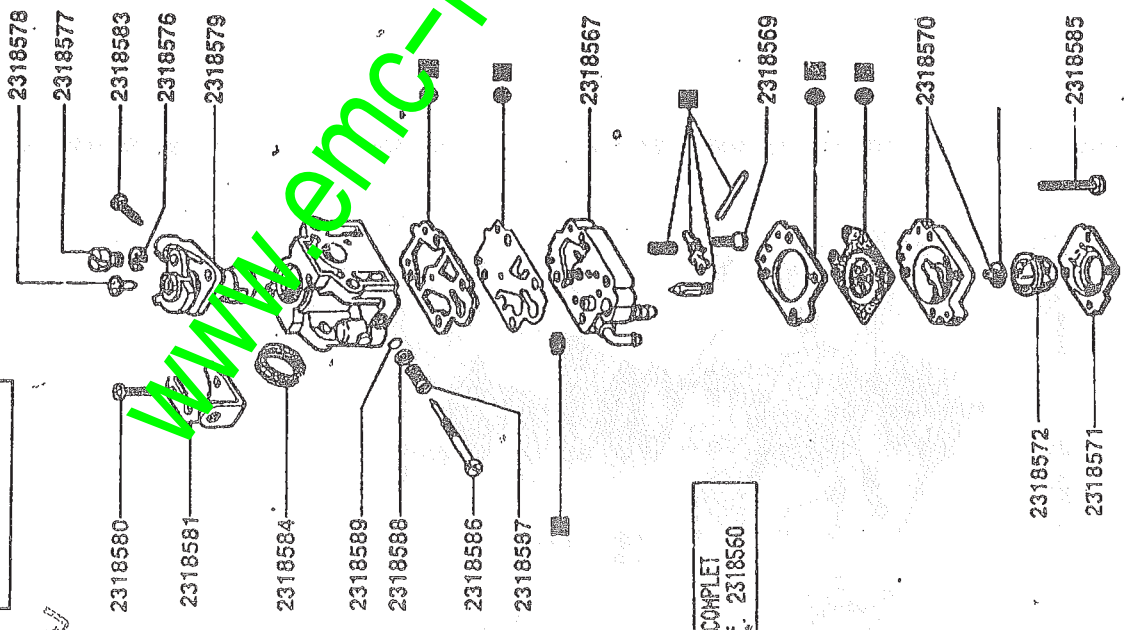
CARBURATORI / CARBURATEURS  
CARBURETORS / CARBURADOR

WALBRO WZ - WZ 15 - WZ 19

REF. PART. NO. DESCRIZIONE ITALIANO DESCRIPTION FRANÇAIS DESCRPTION ENGLISH DESCRIPCION ESPAÑOL

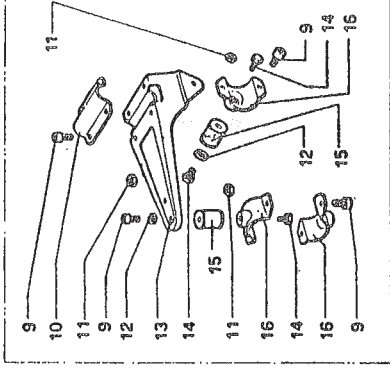
REF.	PART. NO.	DESCRIZIONE ITALIANO	DESCRIPTION FRANÇAIS	DESCRIPCION ENGLISH	DESCRIPCION ESPAÑOL
1	2318205	CARB WZ 15	CARB WZ 15	AZ 15 CARB	AZ 15 CARB
2	2318260	CARB WZ 19	CARB WZ 19	AZ 19 CARB	AZ 19 CARB
3	2318138	DADO	ECROU	NUT	NUT
4	2318135	REGISTRO	ENDEUR	INSIDER	INSIDER
5	2318189	ANELLO ELASTICO	CIRCLIPS	SWAMP RING	SWAMP RING
6	2318210	VALVOIA	VALVE	VALVE	VALVE
7	2318217	ANELLO	RONDELLE	WASHER	WASHER
8	2318211	PERNO	PYCN	PIN	PIN
9	2318186	VITE	VIS	SCREW	SCREW
10	2318214	MOLLA	RESSORT	SPRING	SPRING
11	2318219	SUPPORTO	SUPPORT	SUPPORT	SUPPORT
12	2318213	VITE	VIS	SCREW	SCREW
13	2318261	VALVOIA	VALVE	VALVE	VALVE
14	2318263	SUPPORTO	SUPPORT	SUPPORT	SUPPORT
15	2318262	SUPPORTO	SUPPORT	SUPPORT	SUPPORT
16	2318207	COPERCHIO	COUVERCLE	COVER	COVER
17	2318216	FILTRO	FILTRE	FILTER	FILTER
18	2318186	PIASTRINA	PASTILLE	PLATE	PLATE
19	2318187	SPESORE	ENTRETOISE	SPACER	SPACER
20	2318220	KIT GUARN. MEMBR.	KIT JOINTS E MEMBR.	GASKET - GUM	GASKET - GUM
21	2318206	GUARNIZIONE	JOINT	GASKET	GASKET
22	2318143	MOLLA	RESSORT	SPRING	SPRING
23	2318221	KIT RIPARAZIONE	KIT REPARATION	REPAIR KIT	REPAIR KIT
24	2318208	PRIMER	COUVERCLE	COVER	COVER
25	2318212	GUARNIZIONE	JOINT	GASKET	GASKET
26	2318136	VITE	VIS	SCREW	SCREW
27	2318139	POMPETTA	RUBBE	PRIMER PUMP	PRIMER PUMP
28	2318218	PIASTRINA	SUPPORT	SUPPORT	SUPPORT
29	2318185	FILTRO	RESSORT	FILTER	FILTER
30	2318181	MOLLA	TUYAU	SPRING	SPRING
31	2318183	TUBETTO	VIS MAX	SLEEVE	SLEEVE
32	2318186	VITE MAX	BOUCHON	HIGH SPEED SCREEN	HIGH SPEED SCREEN
33	2318209	TAPPO	FILTRE	PLUG	PLUG
34	2318215	FILTRO	FILTRE	FILTER	FILTER
35	2318144	SPILLO	POINTEAU	NEEDLE	NEEDLE
36	2318141	COPERCHIO	COUVERCLE	COVER	COVER
37	2318142	VITE	VIS	SCREW	SCREW
38	2318170	CARB WZ 15	CARB WZ 15	AZ 15 CARB	AZ 15 CARB
39	2318182	PERNO	PYCN	PIN	PIN
40	2318173	VALVOIA	VALVE	VALVE	VALVE
41	2318190	SUPPORTO	SUPPORT	SUPPORT	SUPPORT
42	2318145	VITE	VIS	SCREW	SCREW
43	2318197	PIASTRINA	SUPPORT	SUPPORT	SUPPORT
44	2318134	COPERCHIO	COUVERCLE	COVER	COVER
45	2318216	FILTRO	FILTRE	FILTER	FILTER
46	2318133	PIASTRINA	COUVERCLE	COVER	COVER
47	2318176	GUARNIZIONE	KIT	GASKET	GASKET
48	2318147	TAPPO	BOUCHON	PLUG	PLUG
49	2318184	FILTRO	FILTRE	FILTER	FILTER
50	2318194	OR	OR	OR	OR
51	2318146	ROSETTA	RONDELLE	WASHER	WASHER
52	2318188	PIASTRINA	PLAQUE	FLANGE	FLANGE
53	2318264	RESSORT	RESSORT	SPRING	SPRING

**CARBURATEUR  
HALBRO  
WYK 26 A**

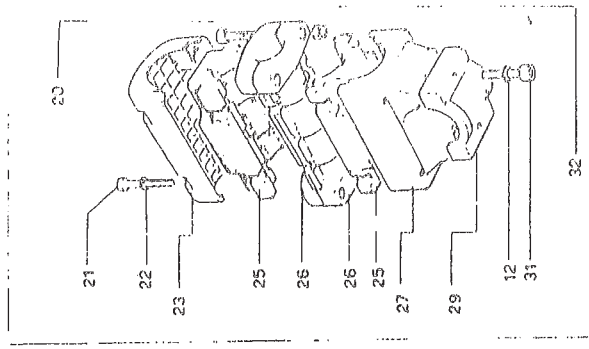


**KIT MEMBRANE & GUARNIZIONI 2318590  
DIAPHRAGM & GASKET KIT**

**ANTI VIBRATION  
AU GUIDON**



**17 - Plus livrable  
pour tube Ø 28 cm  
DB 40-A-AM / DB 15  
DB 30 / DB 35**



**18 - Pour tube Ø 28 cm  
DB40AM/DB15  
VAP450/DB47  
026 R  
028 TURBO**

**19 - Pour tube Ø 32 cm  
030 TURBO**

**SYSTEME ANTI VIBRATION GUIDON 40 CM3**

REP REFERENCE	DESIGNATION
3801019	VIS
0172094	ETRIER DE GUIDON
3819006	ECROU FREIN
2815011	RONDELLE FREIN
4180116	SUPPORT GUIDON
3808031	ETRIER DE TUBE
3058009	ETRIER DE TUBE
4138095	ETRIER DE TUBE
4138091	KIT ANTI VIBRATION ROUGE TUBE Ø 28
4098839	KIT ANTI VIBRATION NOIR TUBE Ø 28
4098840	KIT ANTI VIBRATION NOIR TUBE Ø 28
4179069	KIT ANTI VIBRATION JAUNE TUBE Ø 28
4174306	KIT ANTI VIBRATION JAUNE TUBE Ø 32 (030 TURBO)
3801015	VIS
3801017	VIS
3819006	RONDELLE FREIN
4098797	COUVERCLE ROUGE
4098837	COUVERCLE NOIR
4179050	COUVERCLE JAUNE
4098800	AMORTISSEUR
4098799	ETAU
4098796	SUPPORT ROUGE POUR TUBE Ø 28
4098836	SUPPORT NOIR POUR TUBE Ø 28
4179049	SUPPORT JAUNE POUR TUBE Ø 28
4174302	SUPPORT JAUNE POUR TUBE Ø 32 (030 TURBO)
4098798	ETRIER ROUGE POUR TUBE Ø 28
4098838	ETRIER NOIR POUR TUBE Ø 28
4179051	ETRIER JAUNE POUR TUBE Ø 28

[www.emc-motoculture.com](http://www.emc-motoculture.com)