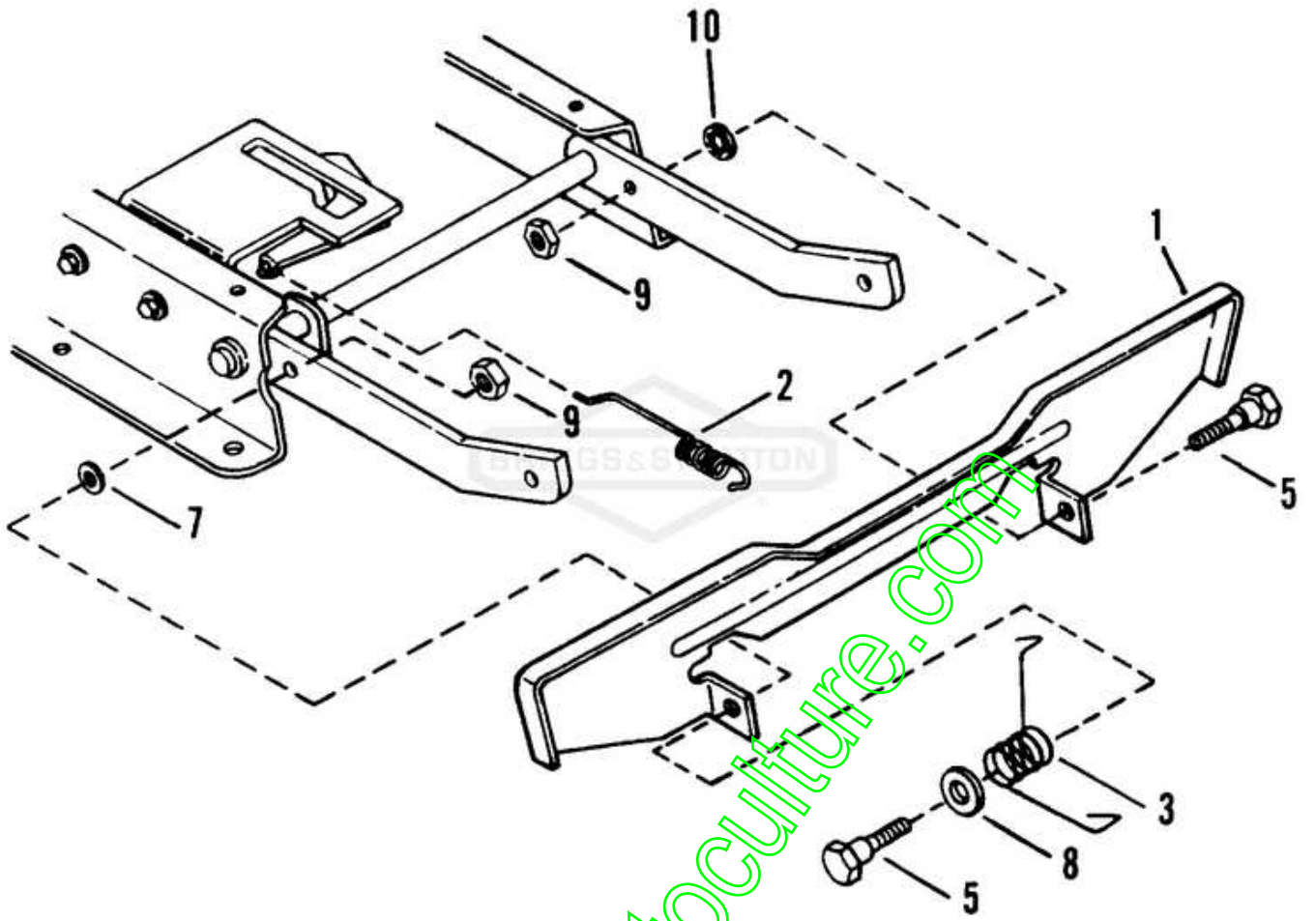


Copyright © Briggs & Stratton Corporation. All Rights reserved

www.emc-motoculture.com

Ref #	Part #	Description	Qty	Context	Note	Foot	Note
1	7022252	BELT, Drive					
2	7018781	PULLEY, Spindle					
3	7011029	PULLEY, Idler					
4	7032111	RESTRICTOR, Belt					
5	7047787	ARM, Idler					
6	7012055	ROD, Idler					
7	7041324	HANDLE, Blade Lever (On-Off)					
8	7023657	GRIP, Handle					
9	7018524	SWITCH, Deck Interlock					
10	7038021	MOUNT, Handle					
11	7014168	SPRING, Blade Handle					
12	7014314	SPACER					
13	7010740	RING, 2" External Retaining	2				
14	7032169	DRUM, Brake					
15	7052886	BAND, Brake					
16	7014304	PIN, 1/4 x 1-5/8" Clevis					
17	7014302	BOLT, 1/4-20 x 2-7/8" Eye					
18	7014303	NUT, 1/4-20 Tee					
19	7091576	NUT, 1/4-20 Hex			Was 90063		
20	7090122	WASHER, 3/8" Flat					
21	7091294	WASHER, 1/4 Flat			Was 90055		
22	7074467	NUT, 3/4-16 Hex Jam			Was 10027		
23	7090161	SCREW, 3/8-24 x 1-3/4" Hex Cap					
24	7090289	NUT, 3/8-24 Hex Lock					
25	7091597	PIN, 3/32 x 3/4" Cotter	3		Was 90037		
26	7090299	SCREW, #10-32 x 1" Self-Tap					
27	7091819	SCREW, 1/4-20 x 5/8" Self-Tap			Was 90362		
28	7015290	HUB, Pulley					
29	7010935	WASHER, 49/64 x 1-1/8" Flat	3				
30	7032027	WASHER, 49/64 x 1-1/2" Flat	2				

www.emc-motoculture.com



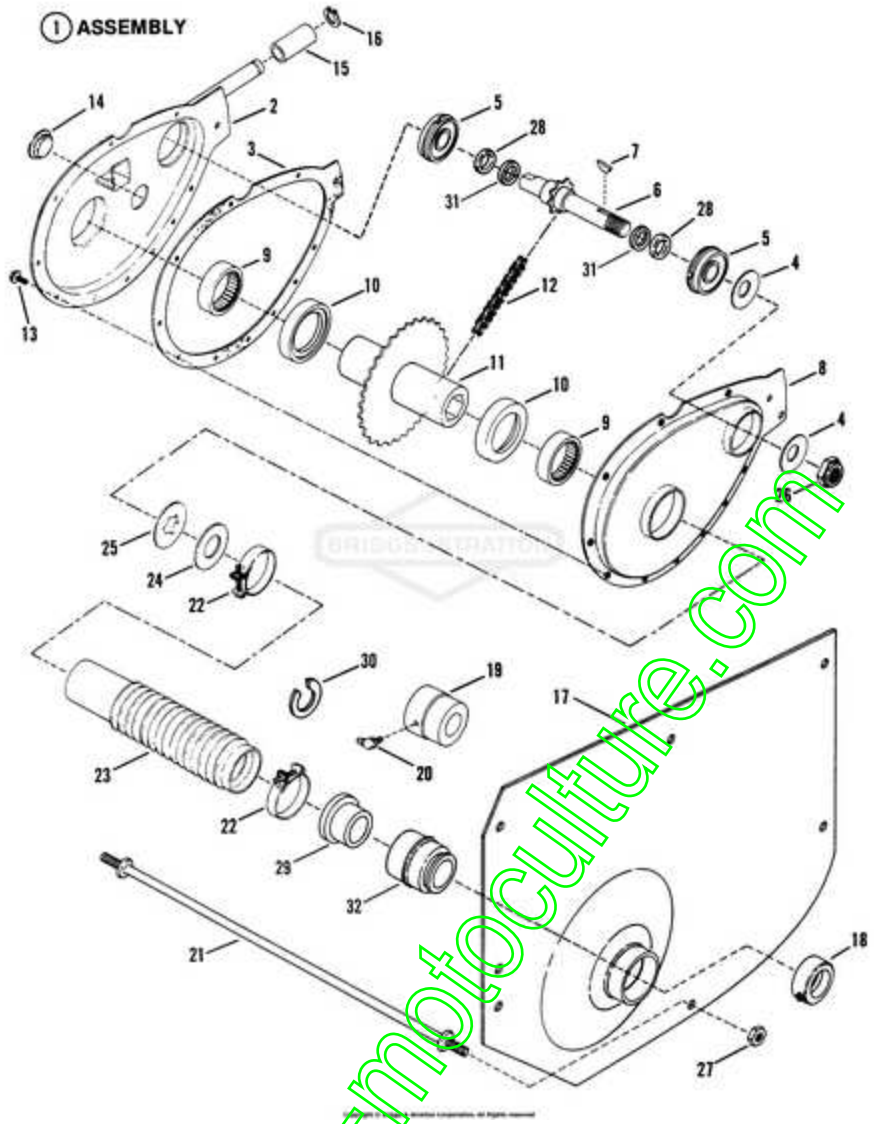
Copyright © Briggs & Stratton Corporation. All Rights reserved.

www.emc-motoculture.com

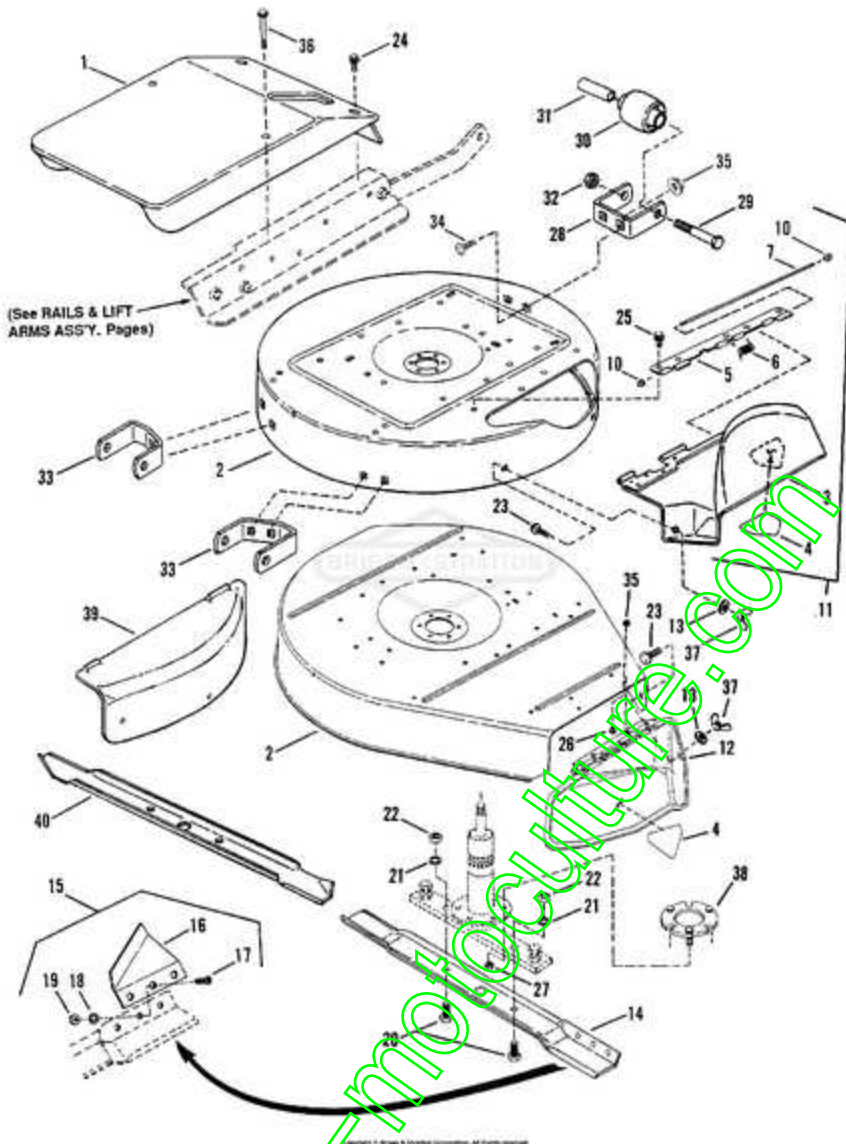
Ref #	Part #	Description	Qty	Context	Note	Foot	Note
1	7033601	PEDAL, Blade Stop Control					
2	7019410	SPRING, Latching					
3	7015448	SPRING, Pedal					
5	7015446	BOLT, 3/8-24 x 9/16" Shoulder					
7	7090122	WASHER, 3/8" Flat					
8	7090250	WASHER, 1/2 Flat	2				
9	7090289	NUT, 3/8-24 Hex Lock					
10	7090390	WASHER, 318 Internal Tooth Lock					

www.emc-motoculture.com

① ASSEMBLY



Ref #	Part #	Description	Qty	Context Note	Foot Note
1	7052683	ASSEMBLY, Chain Case		(Includes Items 2 Thru 13,15,16,31 Thru 35)	
2	7041136	CASE, Sprocket			
3	7028761	GASKET, Case Cover		Was 18059	
4	7011121	WASHER, Belleville	2		
5	7010756	BEARING, Ball	2		
6	7018963	SPROCKET & SHAFT			
7	7010614	KEY, 1/8 x 5/8" Woodruff			
8	7039778	COVER, Chain Case			
9	7010942	BEARING, Needle	2		
10	7011086	WASHER, Nylon Thrust	2		
11	7040355	HUB & SPROCKET			
12	7010941	CHAIN			
		SCREW, #10-24 x 1/2"			
13	7090913	Hex Washer Self-Tap (Torx)	10	Was 90307	
14	7011024	PLUG, Oil Fill & Check			
15	7022785	ROLLER			
16	7010776	RING, Retaining			
17	7037285	FENDER, Left Hand		(8,10,12 HP Models)	
	7037958	FENDER, Left Hand (12,5,14,16 HP Models)		51451 includes ball bearing	
18	7014625	COLLAR, Lock		(Includes #90776 Set Screw-1/4-20 x 1/4")	
19	7050918	BEARING, Left Hand Fender		(Includes Item 20) (8,10,12 HP Models)	
20	7013324	FITTING, Lube			
21	7011070	ROD, Cross-Tie			
22	7011037	CLAMP, Boot	2		
23	7075115	BOOT, Oil Seal		Was 17084	
24	7011071	WASHER, Thrust Nylon			
25	7011072	WASHER, Thrust			
26	7091505	NUT, 5/8-18 Hex Lock		Was 91062	
27	7010969	NUT, 5/16-24 Hex Flange Lock			
28	7019260	O-RING	2		
29	7023447	SPACER			
30	7012271	WASHER, Shim	AR		
31	7010690	WASHER, Shim	6		
32	7014624	BEARING, Left Hand Fender		(12.5,14,16 HP Models)	
	7051451	ASSEMBLY, Left Hand Fender		(Includes 37958 Left Hand Fender & 14624 Bearing) (12.5,14,16 HP Models)	
	7090776	SCREW, Set-1/4-20 x 1/4"			

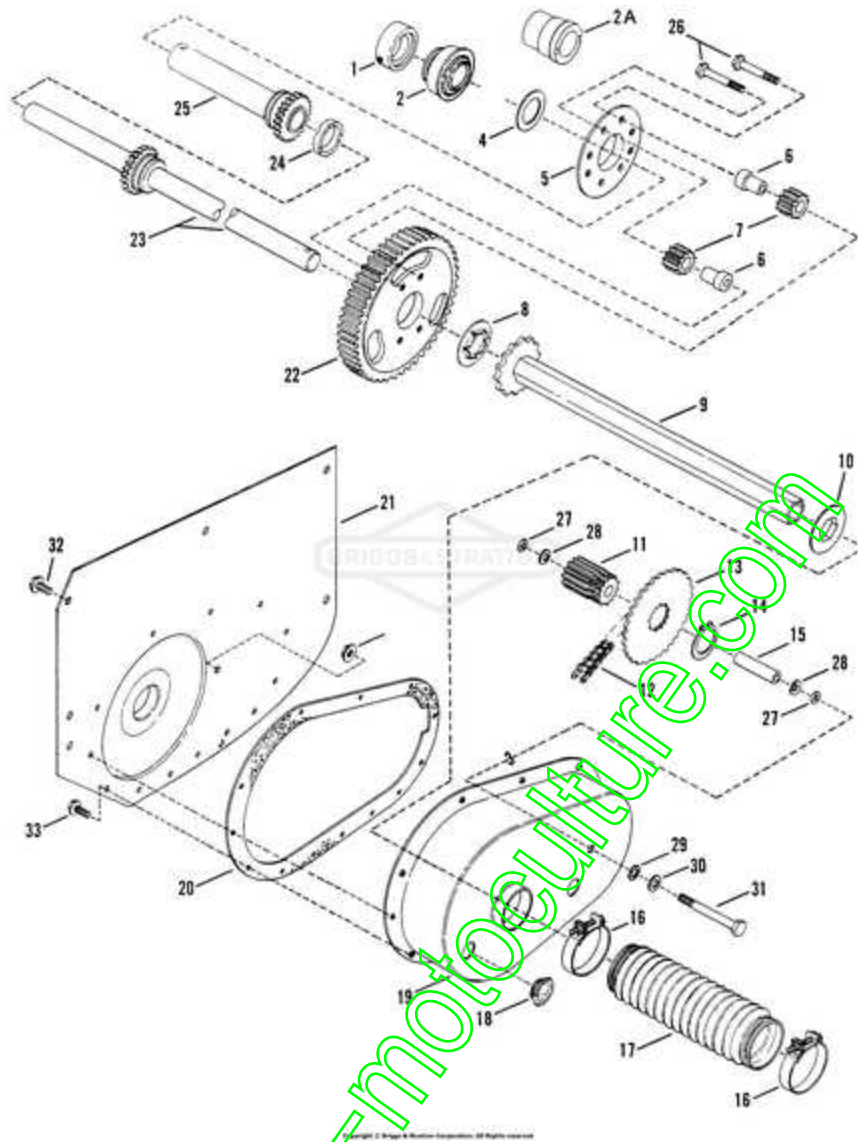


Ref #	Part #	Description	Qty	Context Note	Foot Note
1	7073434	COVER, Spindle	1	Was 26130	
2	7061969	25" DECK (Includes decals)	1	Was 61221	
2	7061970	28" DECK (Includes decals)	1		
2	7061971	30" DECK (Includes decals & deflector)	1	Was 61224	
2	7061972	33" DECK (Includes decals)	1	Was 61225	
3	7016046	DEFLECTOR, Discharge (25" Deck)	1	Does not include Hinge #7038370 & 4 Rivits #7013860	Note: #3 deflector must be removed from 25" & 28" deck when installing Grass Catcher.
3	7026233	DEFLECTOR, Discharge (28" & 33" Deck)	1		
4	7013010	DECAL, Danger (Cut Finger)	1		
5	7039586	HINGE, Deflector	1		
6	7016341	SPRING, Hinge	1		
7	7032323	PIN, Hinge	1		
10	7029840	NUT, Push	2	Was 11788	
11	7054084	ASSEMBLY, Discharge (25" Deck)	1	Was 51976 or 57624 (Includes Item 3 - 11)	
11	7052555	ASSEMBLY, Discharge (28" & 33" Deck)	1	(Includes Items 3 - 11)	
12	7052553	DEFLECTOR, Discharge (30" Deck)	1		
13	7090188	WASHER, 5/16 Flat	2		
14	7019518	25" BLADE	1		
14	7019515	28" BLADE	1		
14	7018069	30" BLADE	1		
14	7019523	33" BLADE	1		
15	7060480	AIR LIFT KIT, Hi-Vac	1	(28", 33" Models) (Includes 16 Thru 19)	
15	7060735	AIR LIFT KIT, Standard (2 hole)(Not shown)	1	(30" Models) (Includes 16 Thru 19)	
16	7037723	AIR LIFT, Hi-Vac (3 hole)	2	(28", 33" Models)	
16	7031724	AIR LIFT, Standard (2 hole)(Not shown)	2	(30" Models)	
17	7090228	SCREW, 5/16-24 x 11/16" Machine	6		
18	7090391	WASHER, 5/16-24 Internal Tooth Lock	6		
19	7091297	NUT, 5/16-24 Hex	6	Was 90223	
20	7090392	SCREW, 1/2-20 x 1" Hex Head Cap	2		

Ref #	Part #	Description	Qty	Context Note	Foot Note
21	7090509	WASHER, 1/2 Internal Tooth Lock	2		
22	7090559	NUT, 1/2-20 Hex Jam	2		
23	7091508	BOLT, 5/16-18 x 3/4" Short Neck Carriage	2	Was 90001	
24	7090741	SCREW, 1/4-20 x 5/8" Self-Tapping	4	Was 91016	
25	7090858	SCREW, 5/16-18 x 1/2" Self-Tapping	3		
26	7090721	BOLT, 5/16-18 x 1/2" Hex Flange Lock	2		
27	7091619	NUT, 3/8-16 Hex Flange Lock	9	Was 90613	
28	7033570	BRACKET, Gage Wheel (Front)	1		
29	7091532	SCREW, 3/8-24 x 3-3/4" Hex Head Cap	3	Was 90859	
30	7019190	WHEEL, Gage	3		
31	7015272	SPACER	3		
32	7090289	NUT, 3/8-24 Hex Lock	3		
33	7033571	BRACKET, Gage Wheel (Rear)	2		
34	7090731	BOLT, 5/16-18 x 1/2" Short Neck Carriage	6		
35	7091601	NUT, 5/16-18 Hex Flange Lock	8	Was 90585	
36	7091015	SCREW, 1/4-20 x 3/-1/2" Self-Tapping	2		
37	7091537	NUT, 5/16-18 Wing	2	Was 90492	
38	7053034	RING, Spindle	1		
39	7016968	COVER, 25" Mulcher	1		
39	7016983	COVER, 28" Mulcher	1		
39	7016984	COVER, 33" Mulcher	1		
40	7016967	BLADE, 25" Mulcher	1		
40	7016980	BLADE, 28" Mulcher	1		
40	7016982	BLADE, 33" Mulcher	1		
		25" ABS Deck Assy. (Series 12&13) - Complete Unit (Not shown)			
	7061226				
		28" ABS Deck Assy. (Series 12&13) - Complete Unit (Not shown)			
	7061228				
		30" ABS Deck Assy. (Series 12&13) - Complete Unit (Not shown)			
	7061229				

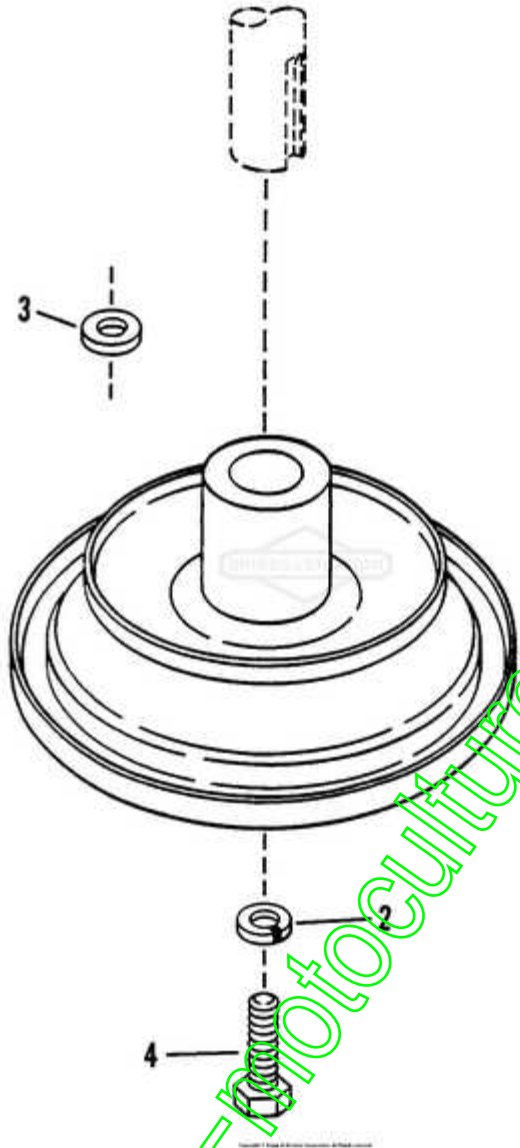
Ref #	Part #	Description	Qty	Context Note	Foot Note
	7061230	33" ABS Deck Assy. (Series 12&13) - Complete Unit (Not shown)			

www.emc-motoculture.com



Ref #	Part #	Description	Qty	Context Note	Foot Note
1	7014401	COLLAR, Lock		(Includes #90201 Set Screw)	
2	7018822	BEARING, Axle (Right Hand Fender)		(12.5,14,16 HP Models)	
2A	7012296	BEARING, Axle (Right Hand Fender)		(8,10 HP Models)	
?3	7010969	NUT, 5/16-24 Hex Flange Lock			
4	7031079	WASHER, Thrust			
5	7038067	PLATE, Differential			
6	7022115	SPACER, Pinion	4		
7	7021127	GEARS, Differential Pinion			
8	7011072	WASHER, Thrust			
9	7051584	ASSEMBLY, Drive Hex Tube			
10	7010988	WASHER, Hex Insert			
11	7010964	GEAR, 11 Teeth-10 Pitch			
12	7010941	CHAIN, 46 Pitch (#35)			
13	7021129	SPROCKET			
14	7010965	RING, Retaining			
15	7021128	SPACER			
16	7011037	CLAMP, Boot	2		
17	7075115	BOOT, Oil Seal		Was 17083	
18	7011024	PLUG, Oil Fill & Check			
19	7037279	CASE, Transmission			
20	7028762	GASKET, Transmission Case		Was 18060	
21	7037957	FENDER, Right Hand		(Commercial Models) #51452 includes ball bearing	
	7037280	FENDER, Right Hand		(Standard Models)	
22	7021158	GEAR, 63 Teeth-10 Pitch			
23	7075479	AXLE, Long		Was 47763	
24	7074431	SPACER, Differential (1.25" ID x .425 Wide)		Was 11026	
25	7057398	AXLE, Short		(Includes Gear) (Use Only With Long Axle #47763)	
26	7012333	SCREW, 5/16-24 x 1-5/8" Hex Cap Special Lock	4		
27	7011156	O-RING, 5/16"	2		
28	7011782	WASHER, Belleville	2		
29	7090395	WASHER, 5/16 External Tooth Lock			
30	7090188	WASHER, 5/16 Flat			
31	7011042	BOLT, 5/16-24 x 2-5/8" Idler			
32	7090361	SCREW, 5/16-18 x 5/8" Self-Tapping	11		
33	7091819	SCREW, 1/4-20 x 5/8" Self-Tapping 13		Was 90362	
	7060411	KIT, Differential-Standard			
	7060662	KIT, Differential-XT (Ball Bearing)			
	7090201	SCREW, Set			

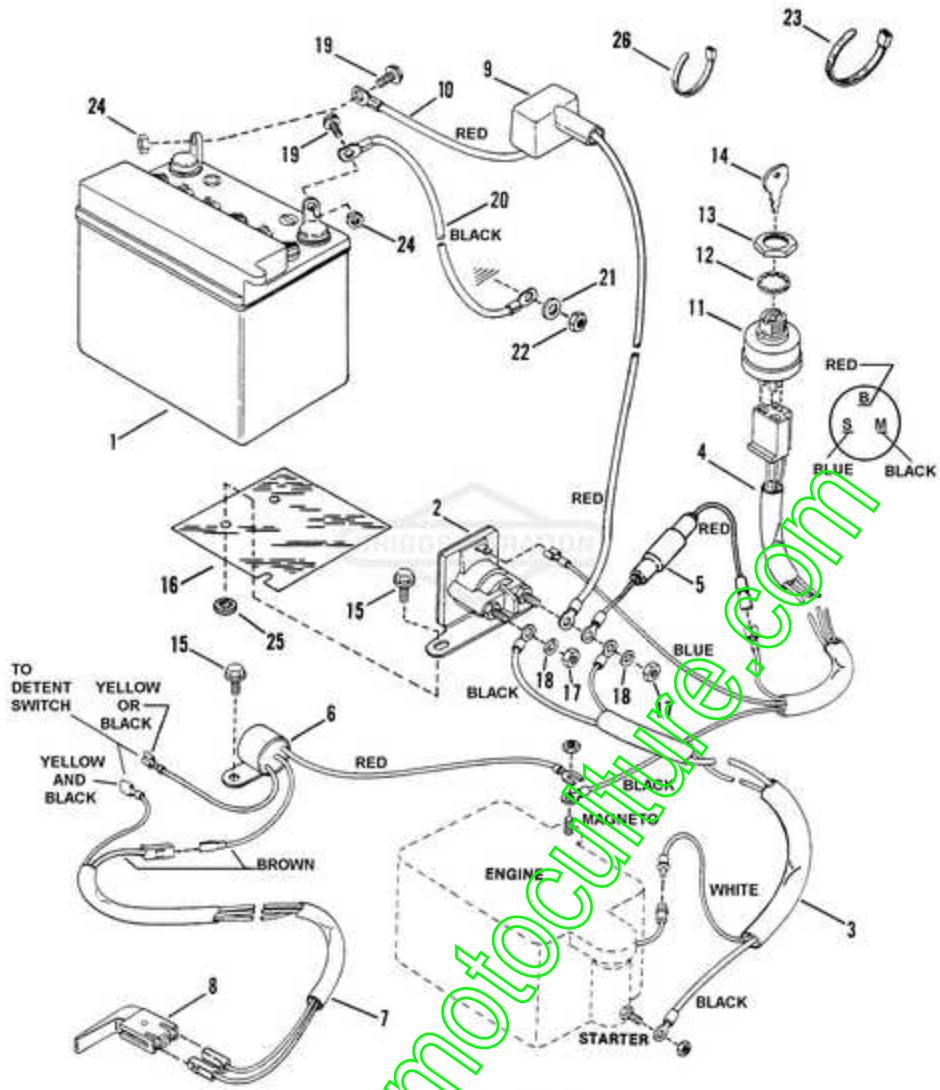
www.emc-motoculture.com



www.emc-motoculture.com

Ref #	Part #	Description	Qty	Context Note	Foot Note
1	7074187	ASSEMBLY, Drive Disc		Was 52810 (30" & 33" Models)	
	7072658	ASSEMBLY, Drive Disc		Was 52811 or 53709 (25", 28" & 42" Models)	
2	7090873	WASHER, 7/16 Internal Tooth Lock			
3	7026249	SPACER		(14 & 16 HP Engines)	
4	7090458	SCREW, 7/16-20 x 1" Hex Head Cap		(Briggs)	
	7091116	SCREW, M10-1.5 x 25mm Hex Head Cap		(Kohler)	

www.emc-motoculture.com



www.emc-motoculture.com

Ref #	Part #	Description	Qty	Context Note	Foot Note
1	7060753	KIT, 12V Dry Charge Battery			
2	7075671	SOLENOID		Was 18817	
3	7022788	HARNESS, Starter Wiring w/Square Connector		(Briggs)	
	7015430	HARNESS, Starter Wiring w/Round Connector		(Briggs)	
	7019321	HARNESS, Starter Wiring w/"Y" Connector		For Kill Module (Kohler)	
4	7019297	HARNESS, Ignition Wiring		(Briggs)	
	7019322	HARNESS, Ignition Wiring		(Kohler & Tecumseh)	
	7024237	HARNESS, Ignition Wiring		(16 HP Briggs Only)	
5	7016168	HOLDER, Fuse		(Includes Fuse)	
	7016169	FUSE (10 AMP)			
6	7063064	INTERLOCK (Briggs)		Was 23782	
	7063065	INTERLOCK (Kohler & Tecumseh)		Was 15759	
	7063064	INTERLOCK (16 HP B&S only)		Was 24236	
7	7019143	HARNESS, Deck Interlock Wiring			
8	7018524	SWITCH, Deck Interlock			
9	7012444	COVER, Battery Cable			
10	7019326	CABLE, Positive (Red)			
11	7018816	SWITCH, Ignition		Was 22880 (Used With Electric Start)	
12	7091546	WASHER, 5/8 Internal Tooth Lock		Was 90880	
13	7015438	NUT, 5/8-32 Hex			
14	7073406	KEY, Switch (With Cover)	2	Was 23504	
15	7091122	SCREW, 1/4-20 x 1/2" Self Tapping	3	Was 90539	
16	7022887	PROTECTOR, Solenoid			
17	7091576	NUT, 1/4-20 Hex	4	Was 90063	
18	7090053	WASHER, 1/4 Internal Tooth Lock	2		
19	7090072	SCREW, 1/4-20 x 5/8" Hex Head Cap	2		
20	7023812	CABLE, Negative			
21	7090391	WASHER, 5/16 Internal Tooth Lock			
22	7091511	NUT, 5/16-18 Hex		Was 90196	
23	7012080	TIE, 7" Long Cable	2		
24	7090372	NUT, 1/4-20 Hex Lock	2		
25	7012485	RETAINER, 1/4 Bolt	2		
26	7014451	TIE, 2" Long Cable			

ENGINE SPECS.

8 H.P. B & S ENGINE
SNAPPER NO. 2-2551

10 H.P. B & S ENGINE
SNAPPER NO. 2-2552

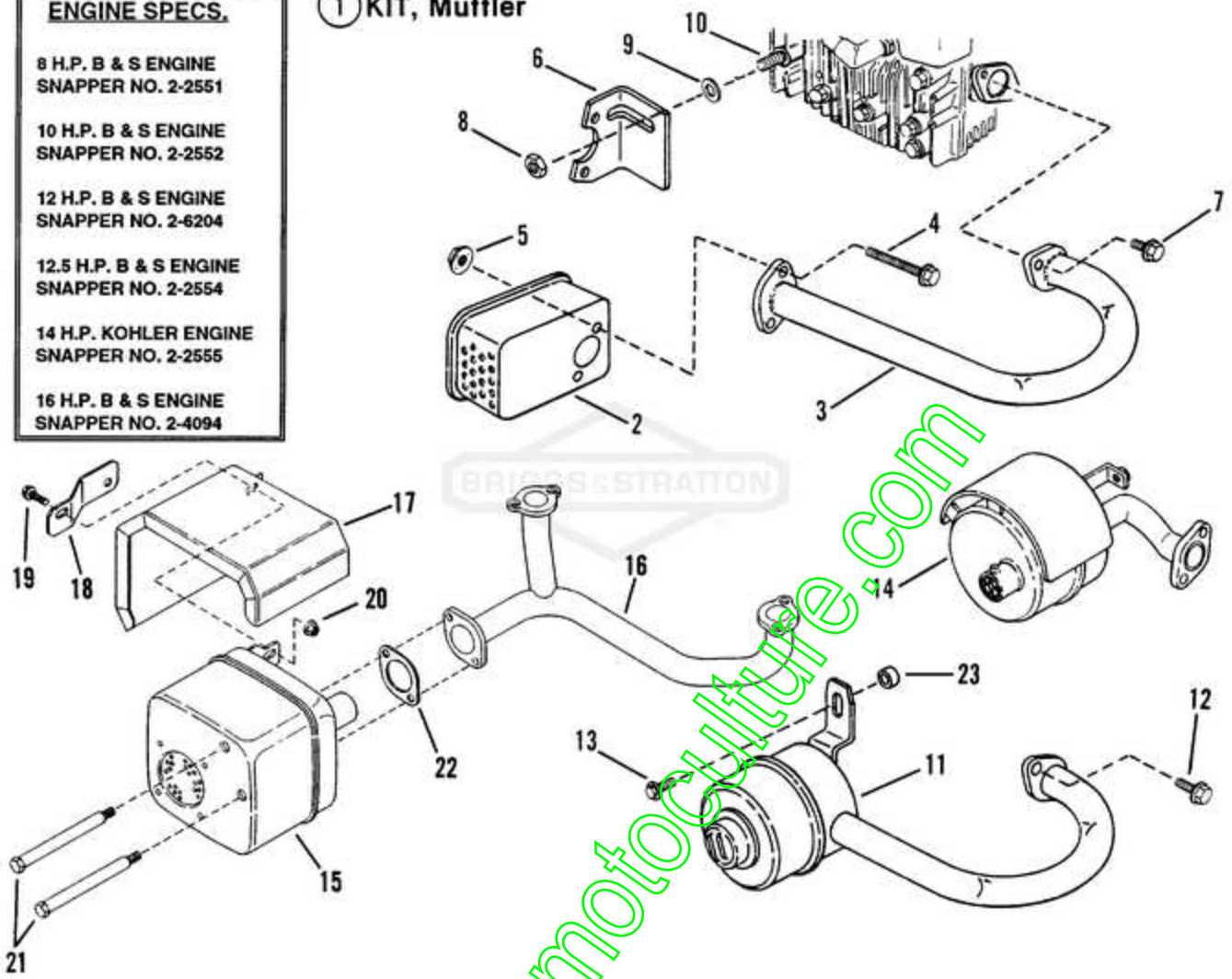
12 H.P. B & S ENGINE
SNAPPER NO. 2-6204

12.5 H.P. B & S ENGINE
SNAPPER NO. 2-2554

14 H.P. KOHLER ENGINE
SNAPPER NO. 2-2555

16 H.P. B & S ENGINE
SNAPPER NO. 2-4094

① KIT, Muffler



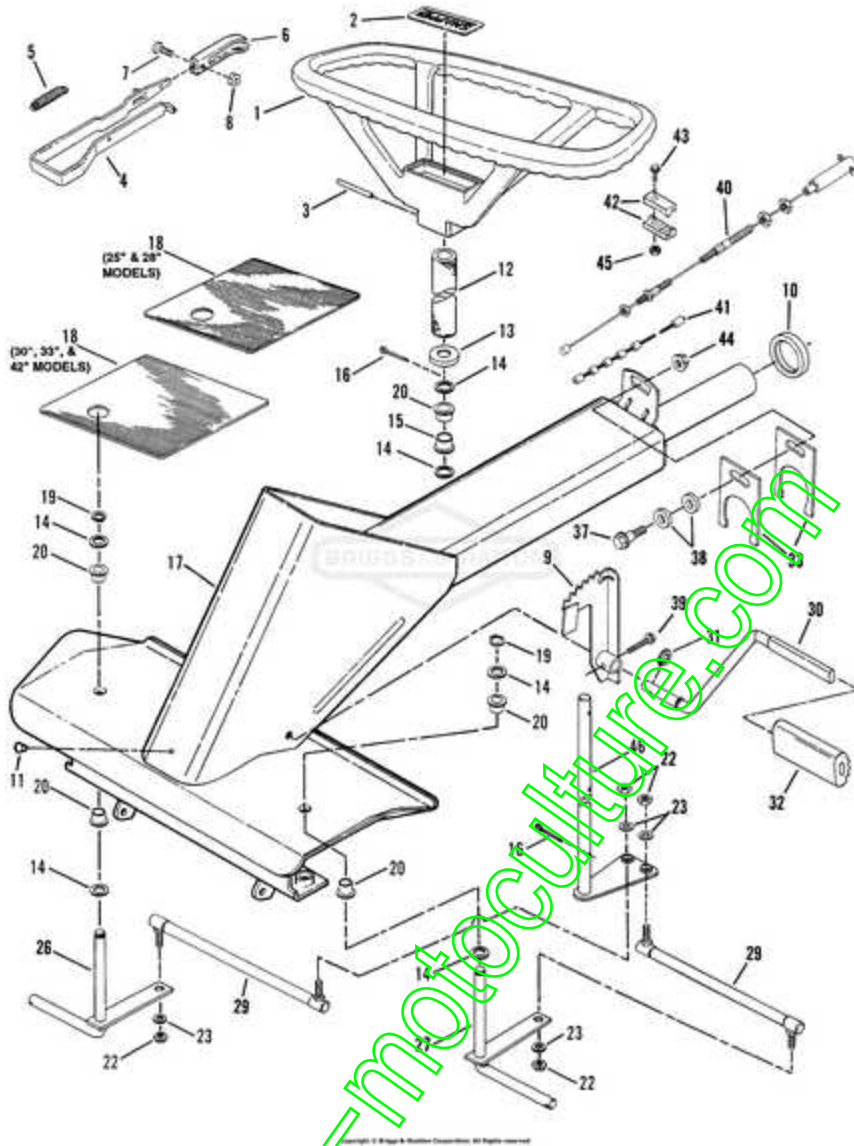
Copyright © Briggs & Stratton Corporation. All Rights reserved

www.emc-motoculture.com

Ref #	Part #	Description	Qty	Context Note	Foot Note
1	7060316	KIT, Muffler	1	(Includes Items 2 Thru 10) (8 HP Models)	
2	7018198	MUFFLER	1		
3	7018197	TUBE, Exhaust	1		
4	7091830	SCREW, 5/16-18 x 3" Hex Head Cap	2	Was 90553	
5	7091601	NUT, 5/16-18 Hex Flange Lock	2	Was 90585	
6	7032414	BRACKET, Muffler	1		
7	7090072	SCREW, 1/4-20 x 5/8" Hex Head Cap	2		
8	7091511	NUT, 5/16-18 Hex	1	Was 90196	
9	7012418	WASHER, 21/64 Flat	1		
10	7012419	STUD, Cylinder Head	1		
11	7051996	MUFFLER	1	(10,11.5,12.5 HP Briggs)	
12	7091318	SCREW, 5/16-18 x 3/4" Hex Head Cap	2	Was 90206	
13	7091495	SCREW, 1/4-20 x 3/4" Hex Head Cap	1	Was 90073 (12.5 HP Models)	
13	7091127	SCREW, 1/4-20 x 7/8" Machine	1	(10 & 11.5 Models)	
14	7019358	MUFFLER	1	(14 HP Kohler)	
15	7024241	MUFFLER	1	(16 HP Briggs) (42" Models Only)	
16	7052779	MANIFOLD, Exhaust	1	(42" Models Only)	
17	7033594	SHIELD, Muffler	1	(42" Models Only)	
18	7033589	BRACE, Muffler	1	(42" Models Only)	
19	7090596	BOLT, 1/4-20 x 5/8" Hex Flange Lock	1	(42" Models Only)	
20	7091584	NUT, 1/4-20 Hex Flange Lock	1	Was 90583 (42" Models Only)	
21	7024161	BOLT, 5/16-18 (1/2") x 4" Shoulder	2	(42" Models Only)	
22	7014509	GASKET, Exhaust	1	(42" Models Only)	
23	7021866	SPACER	1	(10 HP Models)	
		* ENGINE, 8 HP (B&S 195707-0133-01)	1		Note: * Purchase engine parts from engine manufacturer dealer.
		* ENGINE, 10 HP B & S	1		
		* ENGINE, 12 HP (B&S 283707-0136-01)	1		
		* ENGINE, 12.5 H.P. B & S	1		
		* ENGINE, 14 HP (Kohler CV14ST PS-1469)	1		

Ref #	Part #	Description	Qty	Context Note	Foot Note
		* ENGINE, 16 HP (B&S 303777-0418-01)	1		
7060489		BAG Hardware (Not shown)	1	(Includes Items 4 Thru 10)	

www.emc-motoculture.com

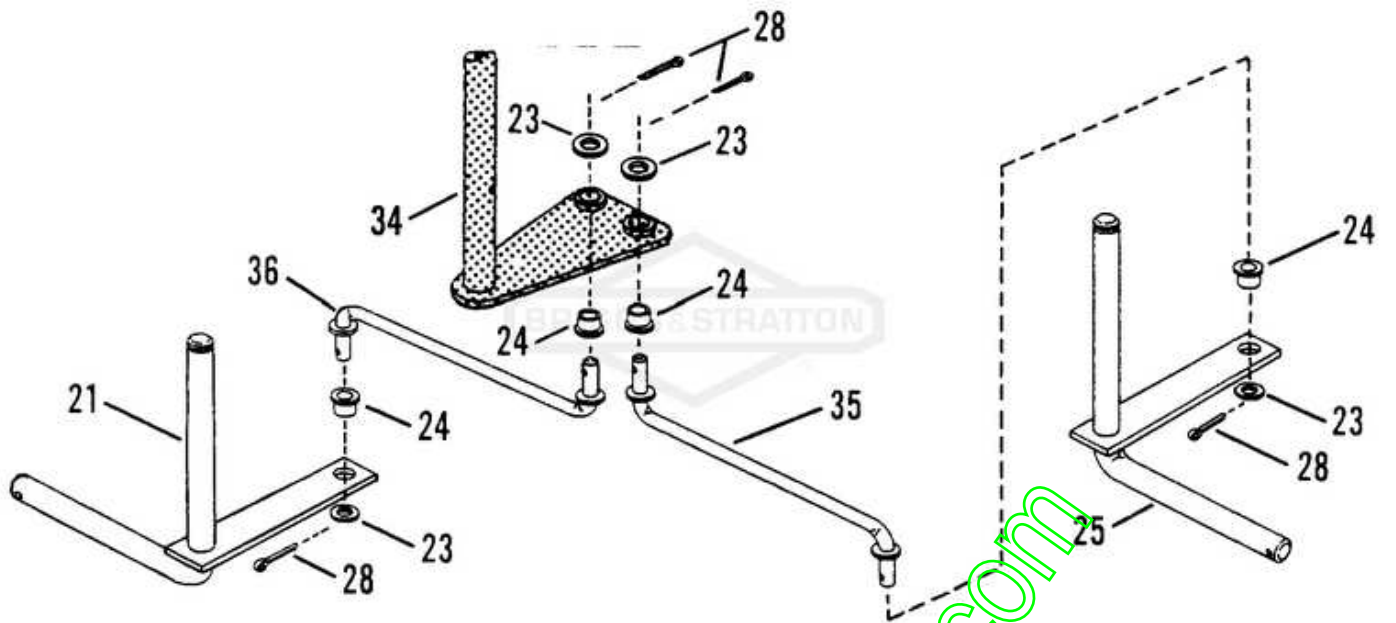


www.emc-motoculture.com

Ref #	Part #	Description	Qty	Context Note	Foot Note
1	7051941	ASSEMBLY, Steering Wheel		(Includes Item 2)	
2	7023781	DECAL, Snapper			
3	7013862	PIN, 1/4 x 1-1/2" Roll			
4	7041144	BRACKET, Clutch/Brake			
5	7023666	SPRING			
6	7023655	KNOB			
7	7091017	SCREW, #8-32 x 3/8" Cross Recess			
8	7091018	NUT, #8-32 Hex			
9	7041004	ARM, Clutch/Brake			
10	7022372	SPACER, Main Tube			
11	7016704	PLUG			
12	7023667	COVER, Steering Shaft (Foam)			
13	7023671	COVER			
14	7010935	WASHER, 314 Flat			
15	7019166	BUSHING, 3/4" Steering Shaft			
16	7091515	PIN, 3/16 x 1-1/2" Cotter	2	Was 90753	
17	7041654	FRAME, Front		Was 41393 (25" & 28" Models)	
	7041653	FRAME, Front		Was 41398 (30", 33" & 42" Models)	
18	7023660	PAD, Foot		(Right Side Shown) (25" & 28" Models)	
	7023663	PAD, Foot		(Right Side Shown) (30", 33", & 42" Models)	
	7023659	PAD, Foot		(Left Side 25" & 28" Models) (Not Shown)	
	7023662	PAD, Foot		(Left 33", & 42" Models) (Not Shown)	
19	7010746	RING, Retaining	2		
20	7010986	BEARING	5		
22	7091297	NUT, 5/16-24 Hex	4	Was 90223	
23	7090187	WASHER, 5/16 Split Lock	4		
26	7041686	PIN, Wide King (Right Side)		Was 41396	
27	7041397	PIN, Wide King (Left Side)			
29	7024935	TIE-ROD	2	(30", 33" 42" Models)	
30	7024735	PEDAL, Clutch/Brake			
31	7010739	RING, 5/8" External Retaining			
32	7012661	PAD, Clutch/Brake Pedal			
33	7028395	SPACER, Pivot		Was 22589	
37	7024267	BOLT, 318-24 x 5/8" Hex Shoulder			
38	7022881	SPACER	2		
39	7091524	SCREW, 5/16-18 x 1-1/4" Self-Tapping		Was 91151	
40	7022344	CABLE, Brake			
41	7029913	CABLE, Clutch		Was 22451	
42	7034174	UNION, Cable			

Ref #	Part #	Description	Qty	Context Note	Foot Note
43	7091495	BOLT, 1/4-20 x 3/4" Hex Flange Lock		Was 90073	
44	7090962	NUT, 3/8-24 Hex Flange Lock			
45	7090372	NUT, 1/4-20 Hex Center Lock			
46	7041553	SHAFT, Steering (Wide Front End)		Was 41395	

www.emc-motoculture.com

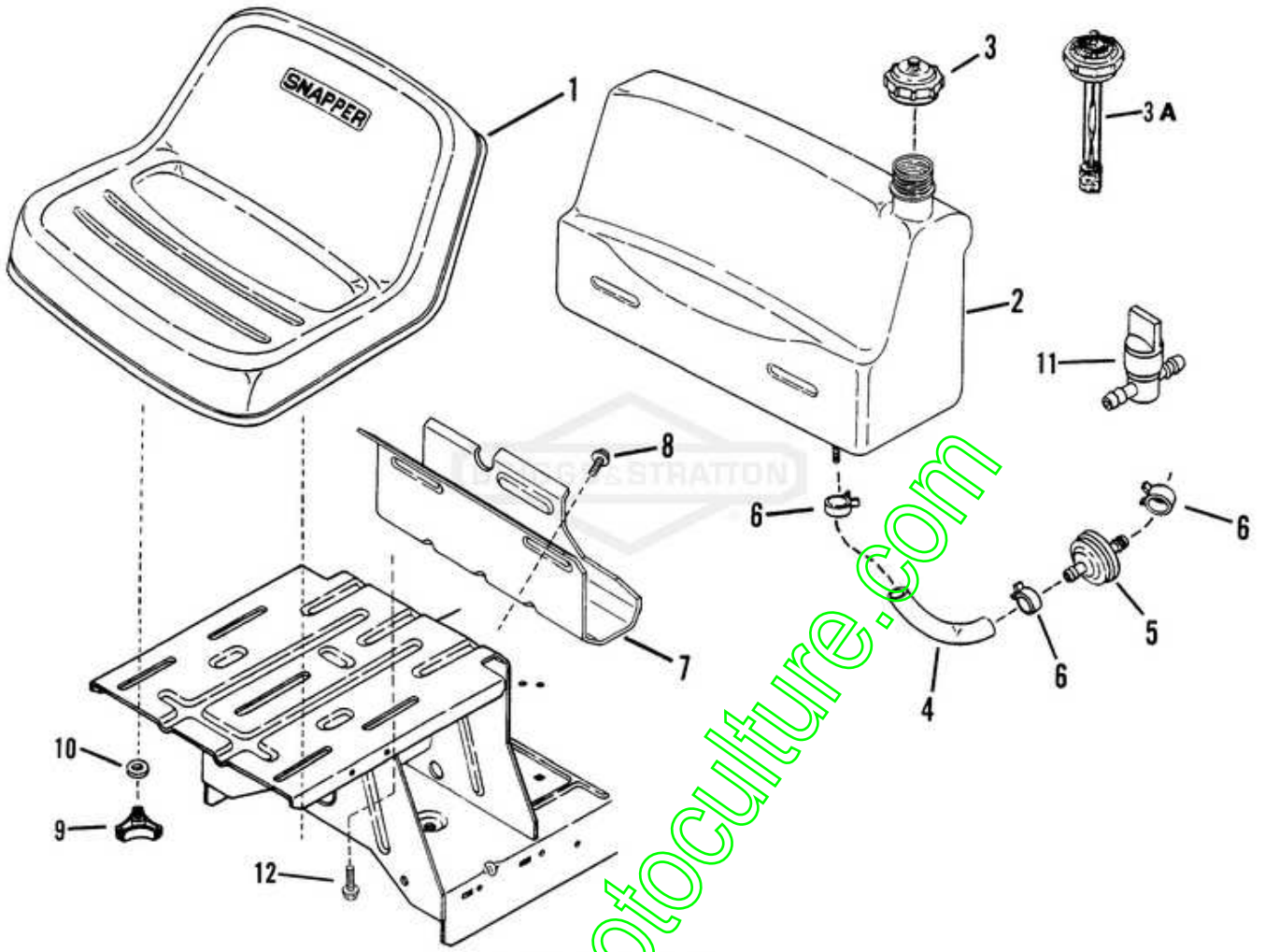


Copyright © Briggs & Stratton Corporation. All Rights reserved

www.emc-motoculture.com

Ref #	Part #	Description	Qty	Context Note	Foot Note
21	7041688	PIN, Narrow King (Right Side)		Was 41382	
23	7090187	WASHER, 5/16 Split Lock	4		
24	7013321	BUSHING	4		
25	7041383	PIN, Narrow King (Left Side)			
28	7091516	PIN, 5/32 x 1" Cotter	2	Was 90364	
34	7041381	SHAFT, Steering (Narrow Front End)			
35	7024915	TIE-ROD, Left Side		(25" & 28" Models)	
36	7024916	TIE-ROD, Right Side		(25" & 28" Models)	

www.emc-motoculture.com

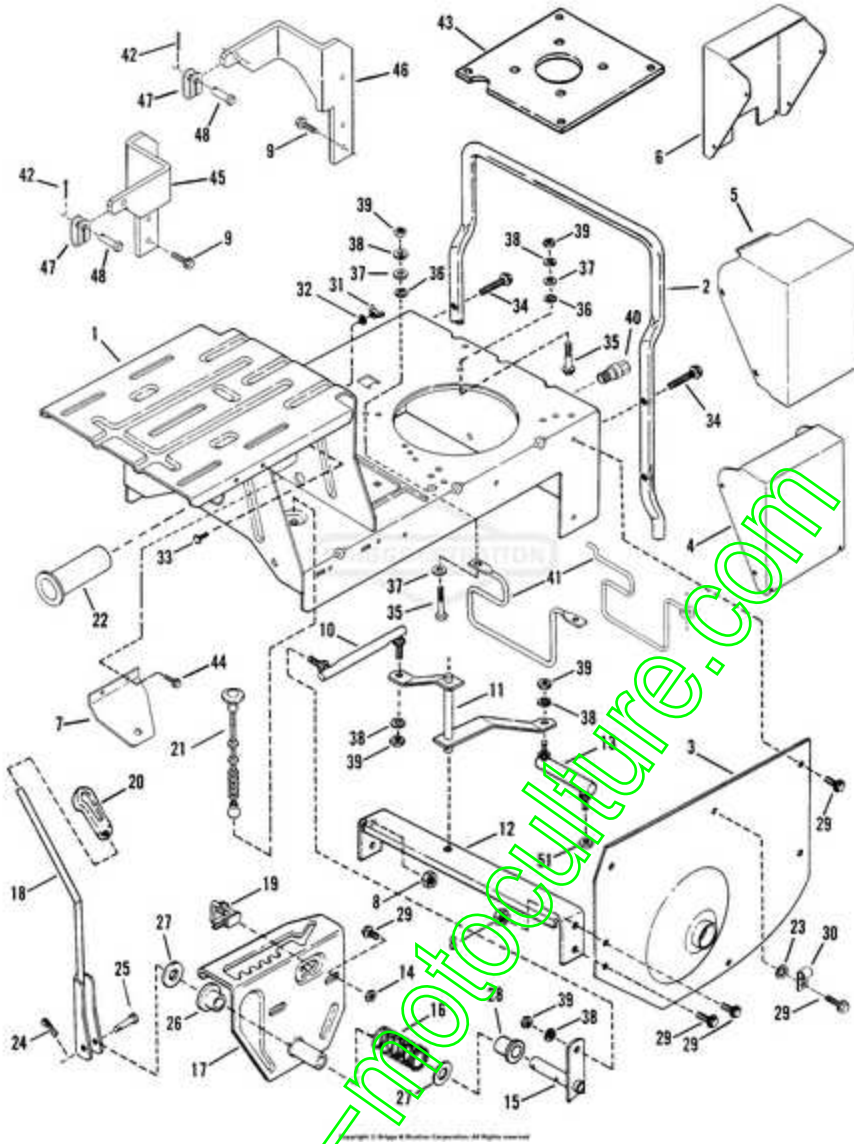


Copyright © British Magnesium Corporation. All Rights reserved

www.emc-motoculture.com

Ref #	Part #	Description	Qty	Context Note	Foot Note
1	7028650	SEAT, Operator		Was 16749 (25" Models)	
	7028650	SEAT, Operator		Was 16082 (25" & 28" Recycling Models)	
	7028650	SEAT, Operator		Was 24093 (28" & 30" 10 HP Models)	
	7024264	Replacement Seat Cover		(For 24093 Seat)	
	7028650	SEAT, Operator		Was 22585 (28", 30", 33", 42" 11.5, 12.5, 14, 16 HP Models)	
2	7051905	ASSEMBLY, Fuel Tank		(Includes Item 3)	
	7052435	ASSEMBLY, Fuel Tank		(Includes Item 3A) (42" Models Only)	
3	7012515	CAP, Fuel Tank			
3A	7019377	CAP, Fuel Tank/with Gauge		(42" Models Only)	
4	7032015	HOSE, Fuel (7" Long)			
	7073240	HOSE, Fuel (5" Long)		Was 32038	
	7076272	HOSE, Fuel (8-1/2" Long)			
	7024247	HOSE, Fuel (24-1/4" Long)			
5	7014359	FILTER, Fuel (In-Line)			
6	7029900	CLAMP, Fuel Line	4	Was 12222	
7	7033377	BRACKET, Fuel Tank (Rear)			
8	7091001	SCREW, 5/16-18 x 5/8" Self-Tapping	2		
9	7023191	KNOB, Seat Adjusting	2		
10	7013849	SPACER, 5/16	2		
11	31212	VALVE, Fuel Shut-Off (Metal)			
12	7091038	BOLT, 5/16-18 x 1/2" Hex Flange Lock	2		

www.emc-motoculture.com

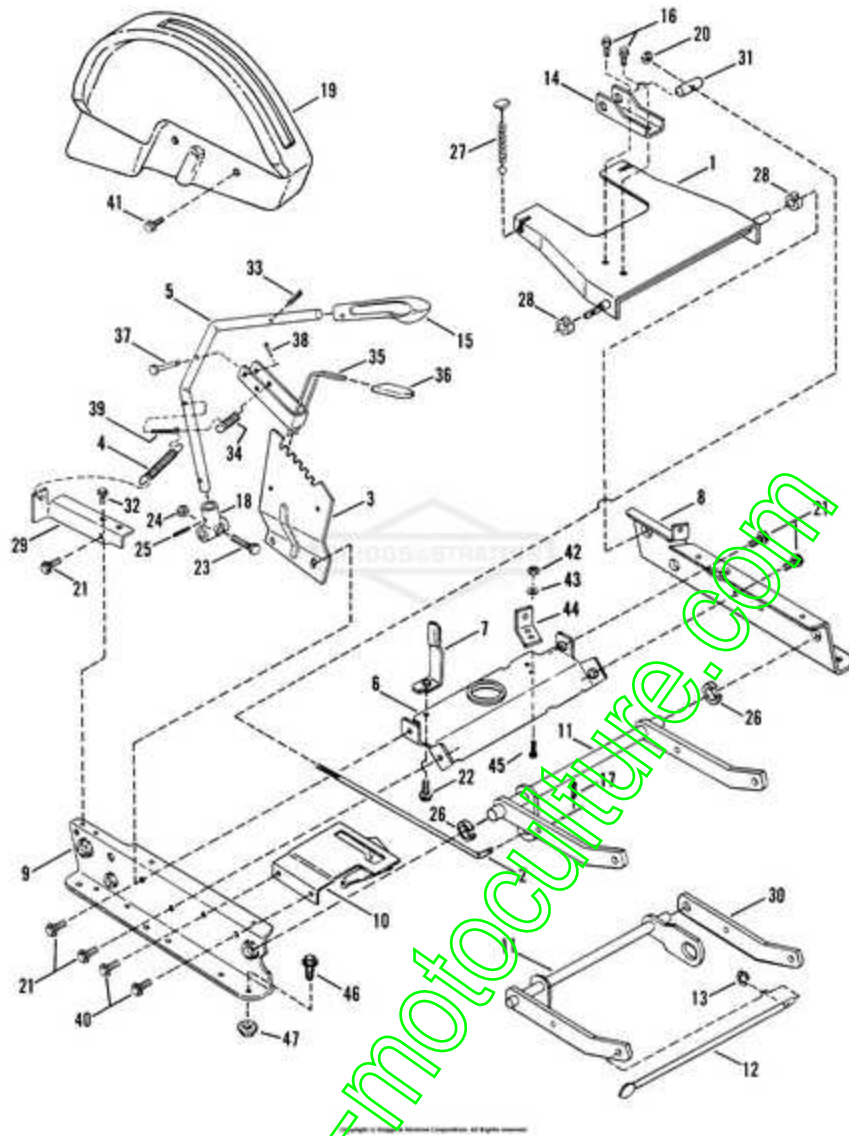


www.emc-motoculture.com

Ref #	Part #	Description	Qty	Context Note	Foot Note
1	7041356	CASE, Main		(Standard)	
2	7036367	BUMPER, Rear			
	7033587	BUMPER, Rear		(42" Models Only)	
3	7037958	FENDER, Left Hand		(See "Chain Case, L.H. Fender" illustration and parts list for related parts)	
4	7028989	COVER		Was 16085 (European Models Only)	
5	7028990	COVER, Battery		Was 16084 or 24319	
	7028990	COVER, Battery		Was 17605 or 24319 (42" Models Only)	
6	7028989	COVER, Switch		Was 17074	
7	7033569	PLATE, Choke		(42" Models Only)	
8	7091601	NUT, 5/16-18 Hex Flange Lock	2	Was 90585	
9	7090369	SCREW, 5/16-18 1" Self-Tapping	6		
10	7023676	LINK, Shift (Long)			
11	7041384	ARM, Shift			
12	7033799	BRACE, Cross			
13	7011018	LINK, Shift (Short)			
14	7091511	NUT, 5/16-18 Hex	2	Was 90196	
15	7040598	ARM, Shift Handle			
16	7010754	SPRING, Shift Handle			
17	7041232	DETENT, Shift		Was 41385	
18	7059212	HANDLE, Shift		Was 40599 (Now 59212 + 23656)	
19	7015707	SWITCH, Seat			
20	7023656	KNOB, Shift Handle			
		CABLE, Deck			
21	7027429	Support 5.0", 7 Furrrels (Used on 25" thru 33" models)		Was 26274	
22	7074650	BUSHING, Pilot		Was 22509	
23	7090391	WASHER, 5/16 Internal Tooth Lock			
24	7091597	PIN, 3/32 x 3/4" Cotter		Was 90037	
25	7023914	PIN, 1/4 x 1-3/4" Tapered Clevis			
26	7019245	BUSHING, Nylon			
27	7031036	WASHER, Thrust	2		
28	7019246	BUSHING, Nylon	2		
29	7090361	SCREW, 5/16-18 x 5/8" Self-Tapping	14		
30	7012656	CLIP, Wire			
31	7091039	NUT, #10-24 Locking Wing	8		
32	7091037	RETAINER, #10 Bolt	8		
33	7090530	BOLT, #10-24 x 1/2" Carriage	8		

Ref #	Part #	Description	Qty	Context Note	Foot Note
34	7091506	SCREW, 5/16-18 x 1-1/2" Self-Tapping	4	Was 90484	
35	7090244	SCREW, 5/16-24 x 1-3/4" Hex Head Cap	4		
36	7011791	RETAINER, 5/16 Bolt	4		
37	7090188	WASHER, 5/16" Flat	4		
38	7090187	WASHER, 5/16" Split Lock	8		
39	7091297	NUT, 5/16-24 Hex	8	Was 90223	
40	7022486	DRAIN, Oil (Short)			
41	7017653	GUIDE, Belt		(25" & 28" Models)	
41	7017604	GUIDE, Belt		(30" 10 HP & 11.5 HP, 33" 12.5 HP)	
41	7024164	GUIDE, Belt		(16 HP 42" Models)	
41	7027974	GUIDE, Belt		(14 HP Kohler)	
42	7091597	PIN, 3/32 x 3/4" Cotter	2	Was 90037	
43	7032982	PLATE, Engine			
44	7091819	SCREW, 1/4-20 x 5/8" Self-Tapping	2	Was 90362	
45	7033223	DECK WING, Rear 42" Models (Left)		(Early Production Model Shown); See "42" Rails, Lift Arms, Cam Lift" illustration and parts list for all Deck-Wings and related parts.	
46	7033224	DECK WING, Rear 42" Models (Right)		(Early Production Model Shown); See "42" Rails, Lift Arms, Cam Lift" illustration and parts list for all Deck-Wings and related parts.	
47	7032276	BRACKET, Cable		Was 33313	
48	7029687	PIN, 3/8 x 1 1/16" Clevis	2	Was 10736	
51	7010969	NUT, 5/16-24 Hex Flange Lock			

www.eric-motoculture.com

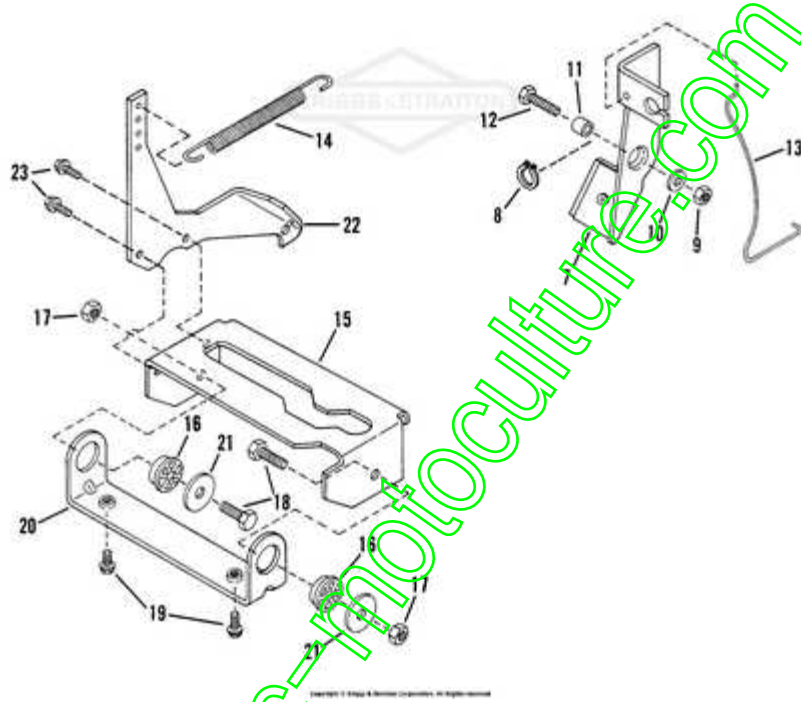
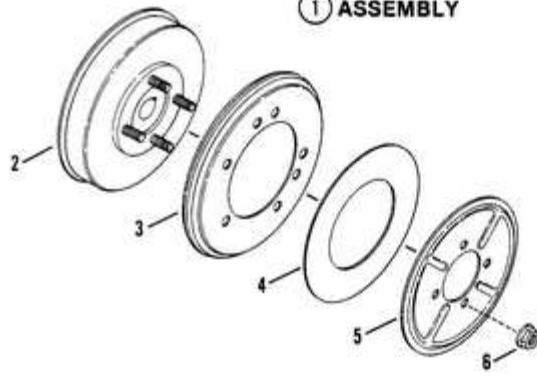


Ref #	Part #	Description	Qty	Context Note	Foot Note
1	7041389	ARM, Rear Lift			
2	7016122	ROD, Leveling			
3	7033765	QUADRANT, Lift Lever			
4	7024914	SPRING, Extension			
5	7024878	LEVER, Lift			
6	7031838	BRACE, Top			
7	7031855	GUIDE, Belt			
8	7063062	RAIL, Left Hand		Was 33779	
9	7036430	RAIL, Right Hand		Was 33766	
10	7058969	ASSEMBLY, Clutch Plate		Was 51310	
11	7040684	ARM, Front Lift, Non-Adjustable		(25" & 28" Models)	
	7040685	ARM, Front Lift, Adjustable		(30", 33" Models)	
12	7022717	ROD, Support (Front Lift Arm to Front End)			
13	7017847	RING, 7/16 Retaining			
14	7033008	ARM, Leveling			
15	7023658	GRIP, Height Adjustment Lever			
16	7091001	SCREW, 5/16-18 x 5/8" Self-Tapping (Torx)	2		
17	7091598	PIN, 1/8 x 3/4" Cotter		Was 90365	
18	7025049	HUB, Deck Lift			
19	7026394	COVER, Height of Cut			
20	7090854	NUT, 3/8-24 Hex Nyloc			
21	7091198	SCREW, 3/8-16 x 5/8" Self-Tapping	6		
22	7090361	SCREW, 5/16-18 x 5/8" Self-Tapping			
23	7011035	BOLT, 5/16-24 x 1-5/8" Tapered Axle			
24	7090480	NUT, 5/16-24 Hex Flange Lock			
25	7013550	PIN, 3/16 x 1" Roll			
26	7012067	RING, Red	2		
27	7027429	CABLE, Rear Deck 5.0", 7 Furrels		Was 26274	
28	7022112	RING, White			
29	7024762	BRACKET, Deck Lift			
30	7032997	ARM, Front Lift-Left		(30" & 33" Models)	
31	7022082	PIVOT, Leveling			
32	7091084	SCREW, 1/4-20 x 3/8" Self-Tapping			
33	7090844	PIN, 3/16 x 3/4" Roll			
34	7026292	SPRING, Latch			
35	7041470	LATCH			
36	7026286	GRIP, Lift Latch			
37	7011021	PIN, Clevis			
38	7090360	PIN, 1/16 x 3/4" Cotter			
39	7091515	PIN, 3/16 x 1 1/2" Cotter		Was 90753	
40	7090858	SCREW, 5/16-18 x 1/2" Self-Tapping			
41	7090741	SCREW, 1/4-20 x 5/8" Hex Head, Self-Tapping		Was 91016	
42	7091297	NUT, 5/16-24 Hex 2	2	Was 90223	
43	90321	WASHER, 5/16 Internal Tooth Lock	2		

Ref #	Part #	Description	Qty	Context Note	Foot Note
44	7032243	ANCHOR			
45	7090233	SCREW, 5/16-24 x 3/4" Hex Head Cap	2		
46	7090606	BOLT, 5/16-18 x 5/8" Hex Flange Lock			
47	7091601	NUT, 5/16-18 Hex Flange Lock		Was 90585	
	7061803	KIT, Wide Chain			

www.emc-motoculture.com

① ASSEMBLY

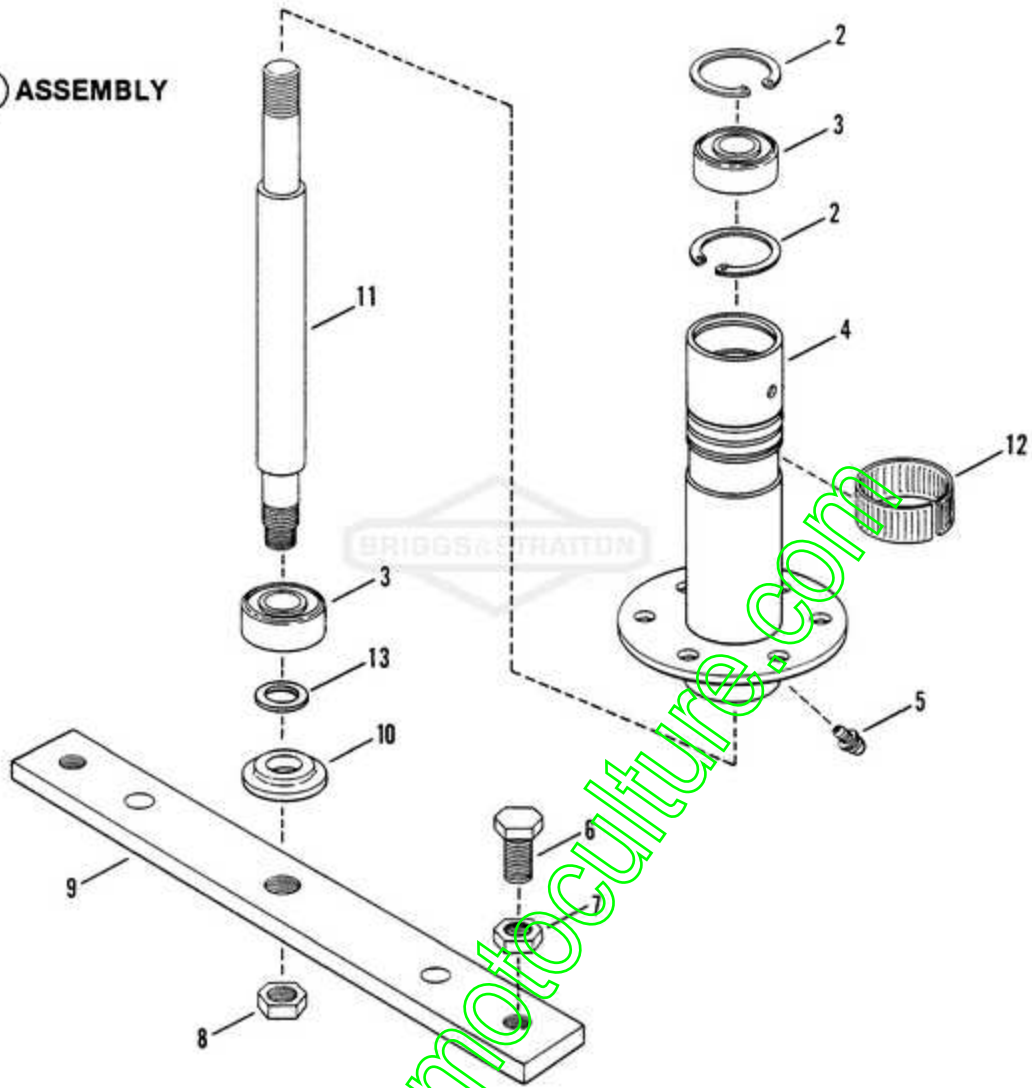


www.emc-motoculture.com

Ref #	Part #	Description	Qty	Context Note	Foot Note
1	7053114	ASSEMBLY, Smooth Clutch		(Includes Items 2 Thru 6)	
2	7059443	HUB, Driven Disc		Was 57338	
3	7053103	DISC, Driven			
4	7014523	WASHER, Thrust			
5	7032331	PLATE			
6	7091601	NUT, 5/16-18 Hex Flange Lock	4	Was 90585	
7	7052497	ASSEMBLY, Brake Lever		(Includes Brake Lining & Rivet)	
8	7012313	RING, Retaining			
9	7090303	NUT, 1/4-28 Hex Top Lock			
10	7091294	WASHER, 1/4 Flat		Was 90055	
11	7010916	SPACER			
12	7090535	SCREW, 1/4-28 x1" Hex Head Cap			
13	7061197	SPRING, Brake Return		Was 22371	
14	7012264	SPRING, Clutch Brake			
15	7033292	LIFT, Yoke			
16	7011048	BEARING, Yoke	2		
17	7092062	NUT, 5/16-24 Hex Center Lock	2	Was 11201	
18	7090238	SCREW, 5/16-24 x 1" Hex Head Cap	2		
19	7090815	SCREW, 3/8-16 x 1/2" Self-Tapping		Was 90506	
20	7033291	COLLAR, Yoke			
21	7011763	WASHER, 5/16 Flat	2		
22	7033293	ARM, Yoke			
23	7091084	SCREW, 1/4-20 x 3/8" Self-Tapping	2		

www.emc-motoculture.com

① ASSEMBLY



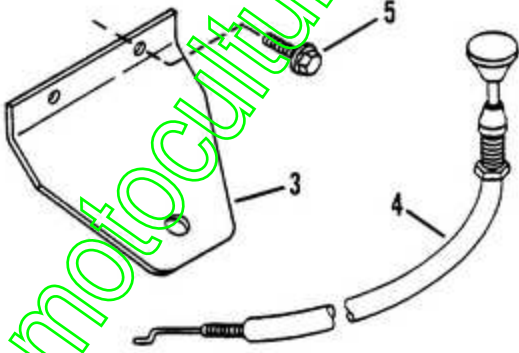
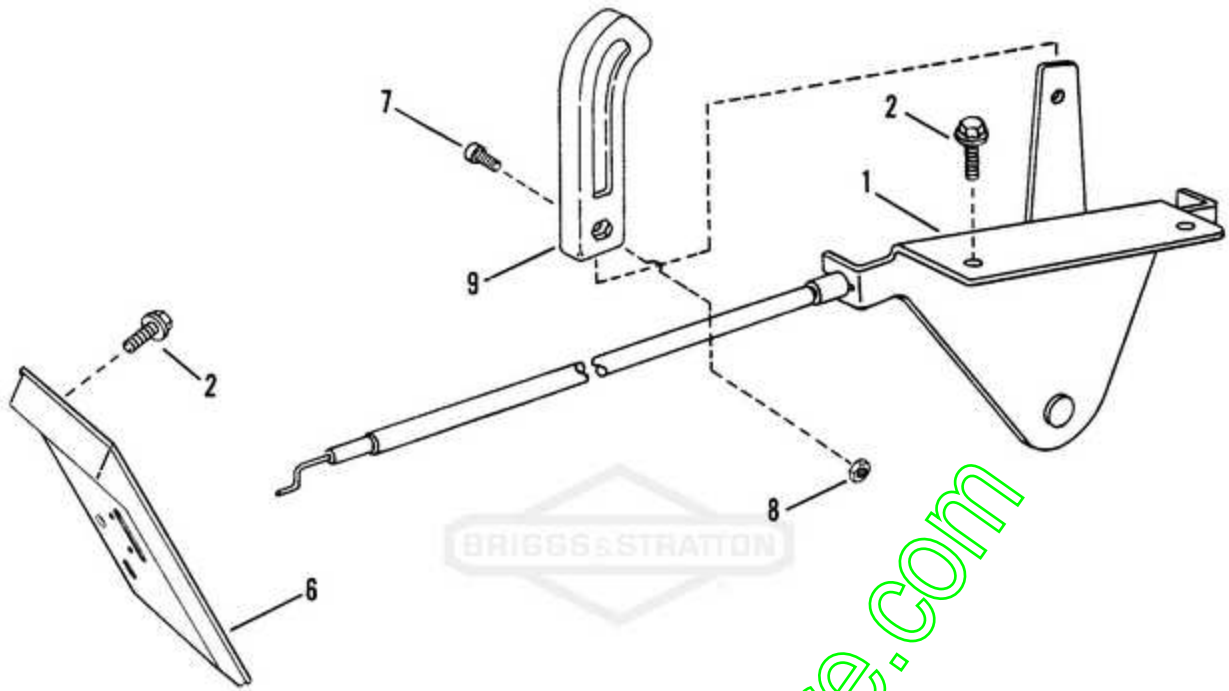
BRIGGS & STRATTON

www.emc-motoculture.com

Copyright © 2000 Briggs & Stratton Corporation. All rights reserved.

Ref #	Part #	Description	Qty	Context Note	Foot Note
1	7054531	ASSEMBLY, Spindle Housing		Was 59813 (Includes 2 thru 11)	
2	7012491	RING, Retaining	2		
3	7013313	BEARING, Spindle	2		
4	7050696	HOUSING, Spindle		(Includes Item 5)	
5	7010817	FITTING, Lube (Press fit for .187 hole-no ball)			
6	7090392	SCREW, 1/2-20 x 1" Hex Head Cap (GR. 5)	2		
7	7090559	NUT, 1/2-20 Hex Jam	2		
8	7090356	NUT, 5/8-18 Hex Lock			
9	7037751	HOLDER, Blade			
10	7014407	WASHER, Spindle			
11	7044785	SPINDLE, Shaft (10.237" Long)		Was 21742	
12	7012670	RING, Tolerance			
13	7010121	WASHER, Shim			

www.emc-motoculture.com



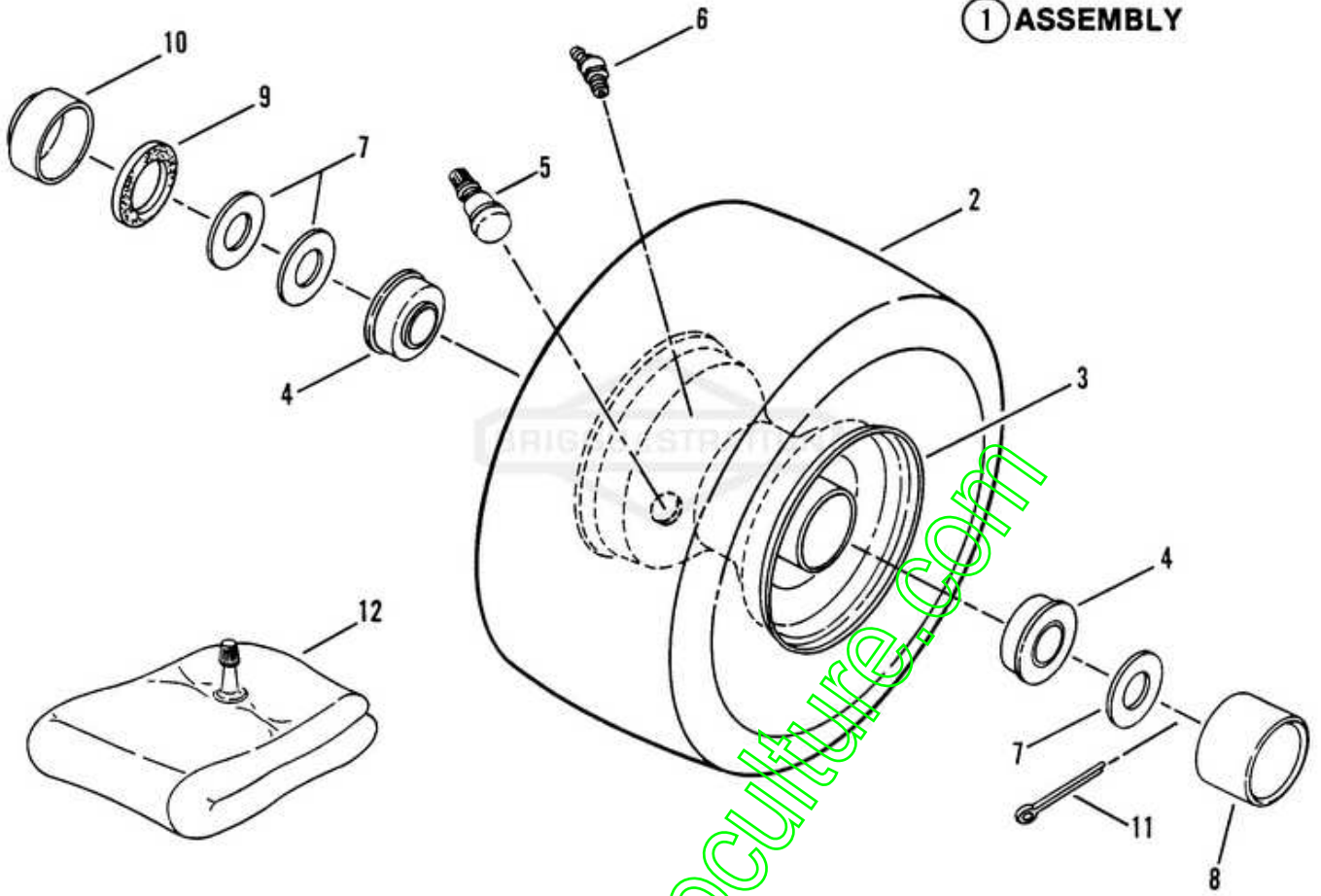
Copyright © Briggs & Stratton Corporation. All Rights reserved.

www.emc-motoculture.com

Ref #	Part #	Description	Qty	Context Note	Foot Note
1	7024155	CONTROL, Throttle			
	7022483	CONTROL, Throttle		(14 HP Kohler)	
	7024242	CONTROL, Throttle		(16 HP Briggs)	
2	7090913	SCREW, #10-24 x 1/2" Hex Washer Self-Tap (Torx)	5		
3	7033569	PLATE, Throttle Control		(41" Models Only)	
4	7024185	CONTROL, Choke		(41" Models Only)	
5	7091819	SCREW, 1/4-20 x 5/8" Self-Tapping	2	Was 90362	
6	7023665	COVER, Dash Panel			
7	7091017	SCREW, #8-32 x 3/8" Cross Recess Filister	2		
8	7091018	NUT, #8-32 Hex	2		
9	7023655	KNOB, Throttle Control			

www.emc-motoculture.com

① ASSEMBLY



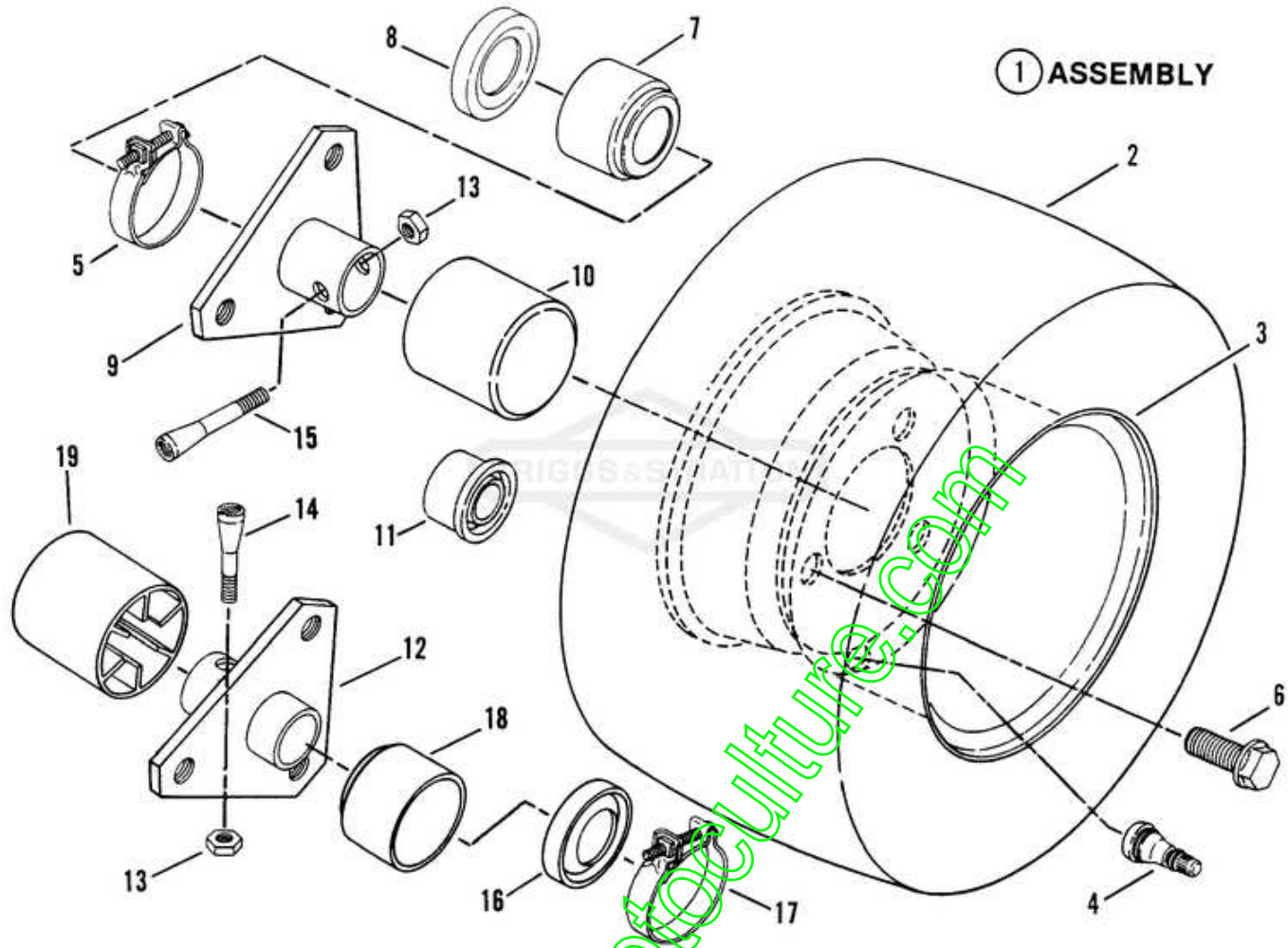
Copyright © Briggs & Stratton Corporation. All rights reserved.

www.emc-motoculture.com

Ref #	Part #	Description	Qty	Context Note	Foot Note
1	7052267	ASSEMBLY, Front Tire & Rim (Complete)		(Includes Items 2,3,4,6,12)	
	7052268	ASSEMBLY, Tire & Rim		(Includes Items 2,3,4,5,6)	
2	7023828	TIRE, Pneumatic 4.10/3.50 x 4			
3	7017146	RIM		(For 4.10/3.50 x 4 Tire)	
4	7011807	BEARING, Ball			
5	7012234	VALVE, Air (Snap-in)(8, 10 HP)			
6	7014247	FITTING Lube			
7	7010935	WASHER			
8	7011022	CAP, Hub			
9	7011032	SEAL, Felt			
10	7031038	CAP, Dust			
11	7091516	PIN, 5/32 x 1" Cotter		Was 90364	
12	7010821	TUBE, Inner		(For 4.10/3.50 x 4 Tire) (11.5, 12.5, 14, 16 HP)	

www.emc-motoculture.com

① ASSEMBLY



Copyright © Briggs & Stratton Corporation. All Rights reserved

www.emc-motoculture.com

Ref #	Part #	Description	Qty	Context Note	Foot Note
1	7052269	ASSEMBLY, Rear Tire & Rim 16x4.80-8		(Includes Items 7023889, 7017145, 7012234) (25" Models)	
1	7052270	ASSEMBLY, Rear Tire & Rim 16x6.50-8		(Includes Items 7046245, 7012163, 7012234) (28" & 30" Models)	
1		ASSEMBLY, Rear Tire & Rim (NLA)		Was 52671 (Now 7022584, 7012163, 7012234) (33" & 42" Models)	
2	7023889	TIRE, Std., 16x4.80-8			
2	7046245	TIRE, Wide, 16x6.50-8		Was 15968	
2	7022584	TIRE, Ext Wide, 16x7.50-8			
3	7017145	WHEEL/RIM, 4.80/4.06x8 (3 hole) Gray		Was 12162 (For 16x4.80-8 Tire)	
3	7012163	WHEEL/RIM, 5.375x8 (3 hole) Gray		(For 16x6.50-8 and 16x7.50-8 Tire)	
4	7012234	VALVE, Air (Snap-in)			
5	7011037	CLAMP, 1 7/8" Right Hand		(8 & 10 HP)	
5	7014542	CLAMP, 2.69" Right Hand		(11.5, 12.5, 14, & 16 HP)	
6	7091502	BOLT, 1/2-20 x 3/4" Lug	6	Was 90367	
7	7031732	CAP, Seal 1.0" ID x 1.67" OD Right Hand		(8 & 10 HP)	
7	7014541	CAP, Seal .93" ID x 2.625" OD Right Hand		(11.5, 12.5, 14 & 16HP)	
8	7011817	SEAL, Oil 1.22" ID x 1.875" OD			
9	7040433	HUB, Rear Wheel (Right Hand) 1.126" ID			
10	7023895	CAP, Hub			
11	7014658	CAP, Seal L.H. 3/4" ID		Was 10967 (Now 14658 + 14662 + 12332)	
12	7040434	HUB, Rear Wheel .75" ID (Left Hand)			
13	7092062	NUT, 5/16-24 Hex Center Lock		Was 11201	
14	7011035	BOLT, 5/16-24 x 1-5/8" Tapered (Left Hand)			
15	7011013	BOLT, 5/16-24 x 2" Tapered (Right Hand)			
16	7014662	SEAL, Oil .750" ID x 1.832" OD (Left Hand)			
17	7012332	CLAMP (Left Hand)		(11.5, 12.5, 14 & 16HP)	
18	7014658	BOLT (Left Hand)		(11.5, 12.5, 14 & 16HP)	
19	7023522	CAP, Hub (Left Hand)			

www.emc-motoculture.com