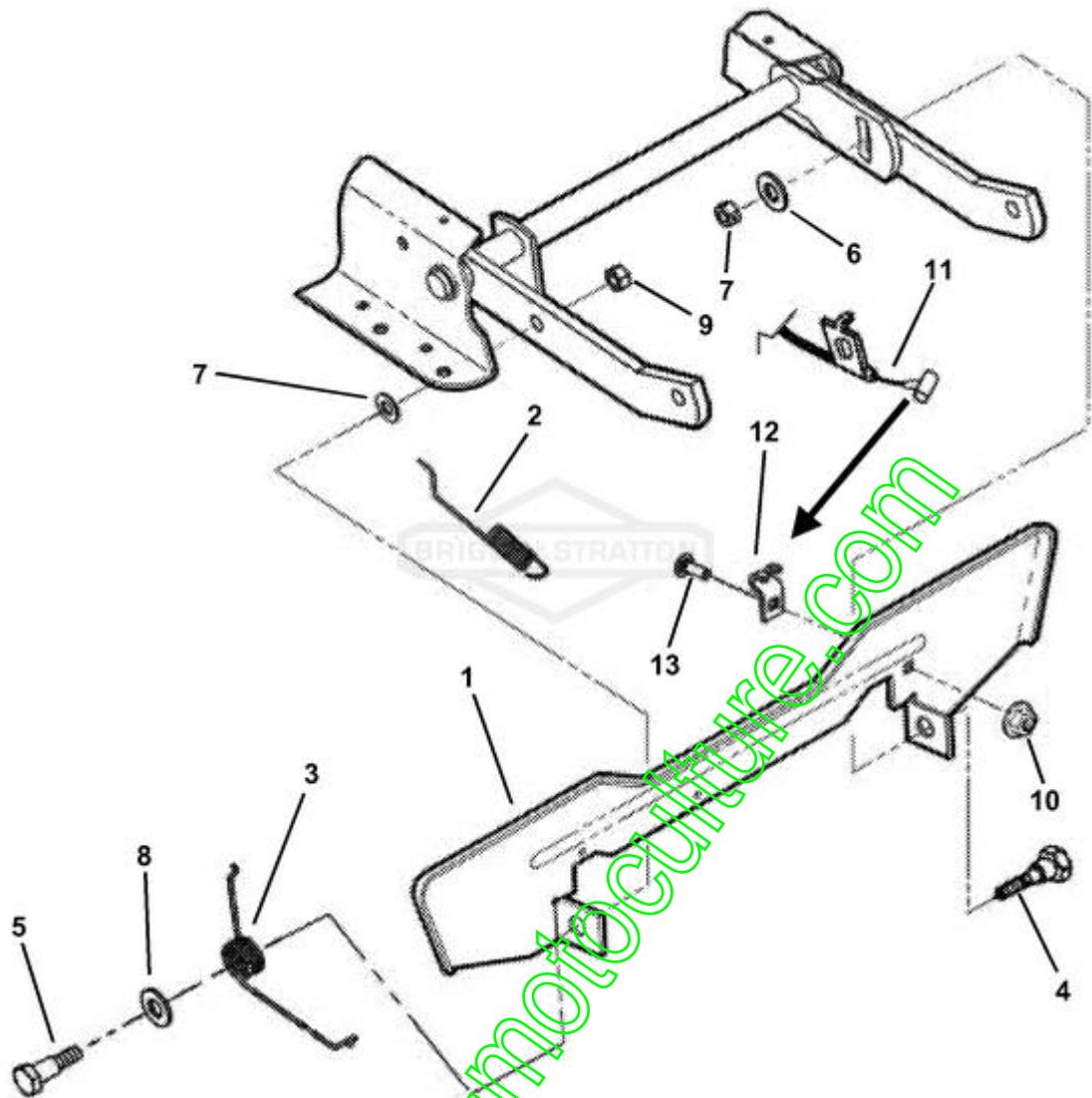


* SEE PAGE 16, ITEM 38

www.emc-motoculture.com

Ref #	Part #	Description	Qty	Context Note	Foot Note
1	7043844	BELT, Drive, (33" Deck) (73.75" AA Section)			Belt part numbers appear on belts.
	7022252	BELT, Drive (28" & 30" Deck) (72.75" AA Section)			Belt part numbers appear on belts.
2	7074467	NUT, 3/4-16 Hex Jam, Grade 8			
3	7032027	WASHER, 49/64" I.D. x 1-1/2" O.D. Flat	2		
4	7018781	PULLEY, Spindle			
5	7015290	HUB, Pulley			
6	7091299	NUT, 3/8-16 Nyloc	2		
7	7029624	PULLEY, 4" Idler	2		
8	7091497	SCREW, 3/8-16 x 1-1/2" Hex Head Cap, Grade 5	2		
9	7035728	BRACKET, Fixed Idler (33" Models Only)			
10	7036526	BRACE, Fixed Idler Bracket (33" Models Only)			
11	7090858	SCREW, 5/16-18 x 1/2" Hex Washer Self-Tap	5		
12	7046567	HANDLE, Blade Engage (Flip)			
13	7010740	RING, 2" External Retaining	2		
14	7091597	PIN, 3/32 x 3/4" Cotter	3	Was 90037	
15	7036521	SPRING, Extension, 4" x 1/2" Diameter			
16	7047787	ARM, Idler (weldment)			
17	7014314	SPACER			
18	7046874	GRIP, Handle			
19	7090122	WASHER, 3/8" Flat	2	Was 91514	
20	7035378	DRUM, Brake			
21	7014304	PIN, 1/4" x 1 5/8" Clevis			
22	7034852	BAND, Brake			
23	7090122	WASHER, 3/8" Flat	2		
24	7091294	WASHER, 1/4" Flat	4	Was 90055	
25	7046677	EYE-BOLT, 1/4-20 x 4"			
26	7046648	SPRING, Flip Handle			
27	7091974	PIN, 3/16 x 1" Clevis			
28	7059254	HANDLE, Blade Lever (ON-OFF)			
29	7014168	SPRING, Blade Handle			
30	7012055	ROD, Idler			
31	7090299	SCREW, #10-32 x 1" Hex Washer			
32	7018524	SWITCH, Deck Interlock (NO)			
33	7038021	MOUNT, Handle/Switch			
34	7091819	SCREW, 1/4-20 x 5/8" Hex Washer Self-Tap	2	Was 90362	
35	7091597	PIN, 3/32 x 1/2" Cotter		Was 90555	
36	7091705	NUT, 1/4-20 Hex Top Lock		Was 90761	
37	7014343	BUSHING			
38	7046782	SPRING			
39	7032111	RESTRICTOR, Belt			

www.emc-motoculture.com



BRIGGS & STRATTON

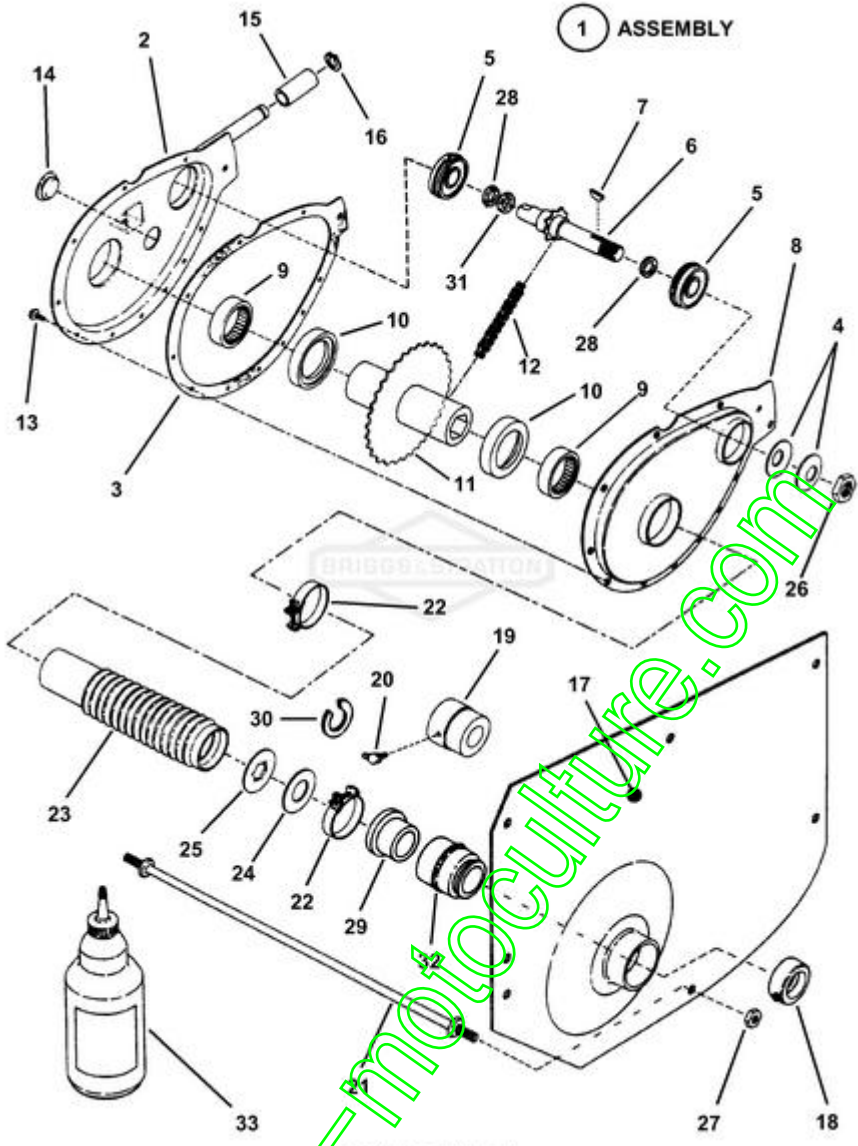
Copyright © Briggs & Stratton, LLC. All rights reserved.

www.emc-motoculture.com

Ref #	Part #	Description	Qty	Context Note	Foot Note
1	7073267	PEDAL, Blade Stop Control			
2	7035669	SPRING, Latching			
3	7015448	SPRING, Pedal			
4	7015495	BOLT, 3/8-24 Shoulder, Grade 5			
5	7015446	BOLT, 3/8-24 x 9/16" Shoulder			
6	7012063	WASHER, Cone 13/32" I.D.			
7	7091630	NUT, 3/8-24 Hex, Grade B			Was 90155
8	7090250	WASHER, 1/2" Flat	2		
9	7090289	NUT, 3/8-24 Hex Center Lock			
10	7091584	NUT, 1/4-20 Hex Flange Lock, Grade 5			
11	7073216	CABLE, No Reverse In Mow			
12	7073217	CLIP, Cable			
13	7091530	BOLT, 1/4-20 x 3/4" Square Neck Carriage, Grade 5			Was 91776

www.emc-motoculture.com

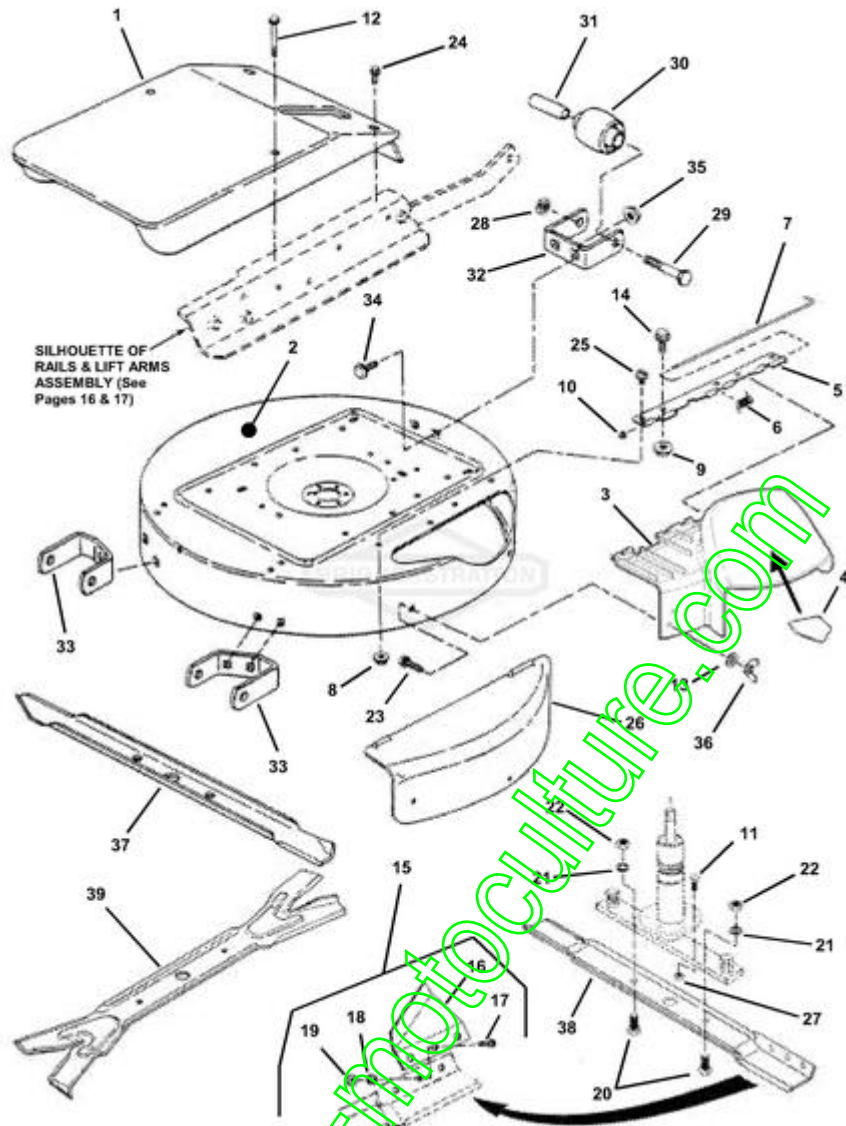
1 ASSEMBLY



www.emc-moloculture.com

Copyright © Bridge & Weir, Ltd. All rights reserved.

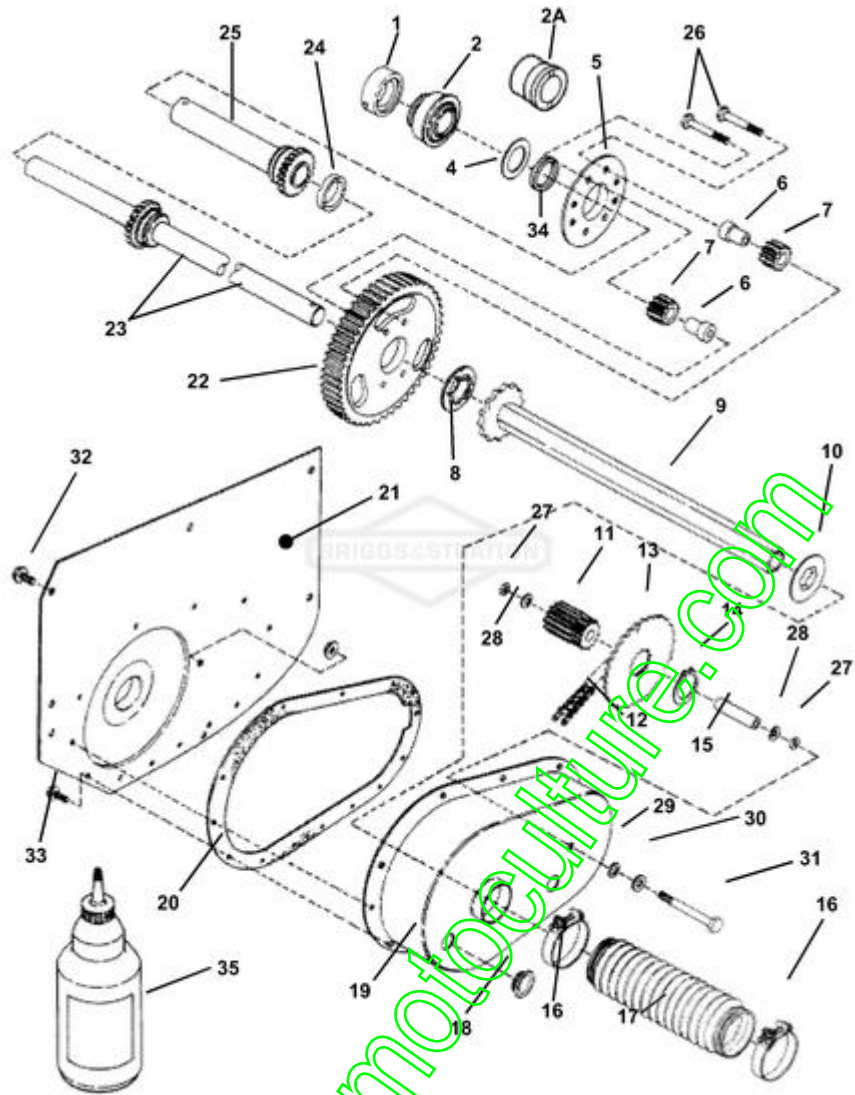
Ref #	Part #	Description	Qty	Context Note	Foot Note
1	7052683	ASSEMBLY, Chain Case		(Includes Items 2 Thru 13,15,16, & 31 Thru 33)	
2	7041136	CASE, Sprocket			
3	7028761	GASKET, Case Cover			
4	7011121	WASHER, Belleville	2		
5	7010756	BEARING, Ball	2		
6	7018963	SPROCKET & SHAFT			
7	7010614	KEY, 1/8 x 5/8" Woodruff			
8	7039778	COVER, Chain Case			
9	7010942	BEARING, Needle	2		
10	7011086	WASHER, Nylon Thrust	2		
11	7040355	HUB & SPROCKET			
12	7010941	CHAIN			
13	7090913	SCREW, #10-24 x 1/2" Hex Washer Self-Tap (Torx)	10	Was 90307	
14	7011024	PLUG, Oil Fill & Check			
15	7022785	ROLLER			
16	7010776	RING, 1/2" External Retaining (Heavy Duty)			
17	7037285	FENDER, Left Hand		(25" & 28" Models) (1.628" I. D. hole)	
	7037958	FENDER, Left Hand		(33" Models) (1.744" I. D. hole)	
18	7014625	COLLAR, Lock		(Includes P.N. 90776 Set Screw, 1/4-20 x 1/4")	
19	7050918	BEARING, Left Hand Fender		(Includes Item 20)	
20	7013324	FITTING, Lube			
21	7011070	ROD, Cross-Pie			
22	7012332	CLAMP, Boot	2		
23	7075115	BOOT, Oil Seal			
24	7011071	WASHER, Thrust Nylon			
25	7011072	WASHER, Thrust			
26	7091505	NUT, 5/8-18 Hex Nyloc			
27	7010969	NUT, 5/16-24 Hex Flange Lock			
28	7019260	O-RING	2		
29	7023447	SPACER			
30	7012271	WASHER, Shim	A/R		
31	7027981	WASHER, Shim	6		
32	7014624	BALL BEARING, Left Hand Fender		(33" Models)	
	7051451	ASSEMBLY, Left Hand Fender		(Includes Fender P.N. 37958 & Bearing P.N. 14624) (33" Models, 15 HP)	
33	7061017	GREASE, Transmission		(Use 2 oz. maximum)	
	7090776	Set Screw, 1/4-20 x 1/4"			



Ref #	Part #	Description	Qty	Context Note	Foot Note
1	7073434	COVER, Spindle			
2	7061970	DECK, 28" Replacement (Painted deck with decals)			
2	7061972	DECK, 33" Replacement (Painted deck with decals)			
3	7057786	DEFLECTOR, Discharge (28" & 33" Deck)		(Includes Items 4, 5, 6, 7 & 10)	
4	7022841	DECAL, DANGER (Cut Finger)			
5	7033780	HINGE, Deflector			
6	7016341	SPRING, Hinge			
7	7026234	PIN, Hinge			
8	7091601	NUT, 5/16-18 Hex Flange Lock		Was 91070	
9	7091584	NUT, 1/4-20 Hex Flange Lock		Was 90583	
10	7026483	NUT, Push	2		
11	7091588	BOLT, 3/8-16 x 3/4" Hex Flange Lock	3	Was 90612	
12	7091015	SCREW, 1/4-20 x 3-1/2" Hex Washer Self-Tap, Gr. 5	2		
13	7090188	WASHER, 5/16 Flat	2	Was 91296	
14	7090584	BOLT, 1/4-20 x 1/2" Hex Flange Lock			
15	7060480	AIR LIFT KIT, Hi-Vac		(28" & 33" Models); (Includes 16 Thru 19)	
16	7037723	AIR LIFT, Hi-Vac (3 hole)	2	(33" Models);	
17	7090228	SCREW, 5/16-24 x 11/16" Machine	6		
18	7090391	WASHER, 5/16-24 Internal Tooth Lock	6		
19	7091297	NUT, 5/16-24 Hex	6	Was 90223	
20	7090392	SCREW, 1/2-20 x 1" Hex Head Cap, Grade 5	2		
21	7090509	WASHER, 1/2 Internal Tooth Lock	2		
22	7090559	NUT, 1/2-20 Hex Jam	2		
23	7091508	BOLT, 5/16-18 x 3/4" Short Neck Carriage, Grade 5	2		
24	7090741	SCREW, 1/4-20 x 5/8" Hex Self-Tap w/ Captured Washer	4	Was 91016	
25	7090606	BOLT, 5/16-18 x 1/2" Hex Flange Lock	3	Was 91510	
26	7016983	COVER, 28" Mulcher			
26	7016984	COVER, 33" Mulcher			
27	7091619	NUT, 3/18-16 Hex Flange Lock	9	Was 90613	
28	7091518	NUT, 3/8-24 Hex Nyloc	3		
29	7091532	SCREW, 3/8-24 x 3-3/4" Hex Head Cap, Grade 5	3		
30	7019190	WHEEL, Gage	3		
31	7015272	SPACER	3		
32	7033570	BRACKET, Gage Wheel (Front)			
33	7033571	BRACKET, Gage Wheel (Rear)	2		
34	7090731	BOLT, 5/16-18 x 1/2" Short Neck Carriage, Grade 5	6		

Ref #	Part #	Description	Qty	Context Note	Foot Note
35	7091601	NUT, 5/16-18 Hex Flange Lock	8	Was 91070	
36	7091537	NUT, 5/16-18 Wing	2	Was 90492	
37	7016980	BLADE, 28" Mulcher			
37	7016982	BLADE, 33" Mulcher			
38	7019515	28" BLADE			
38	7019523	33" BLADE			
39	7026453	BLADE, Ninja, 28"			
39	7024741	BLADE, Ninja, 33"			

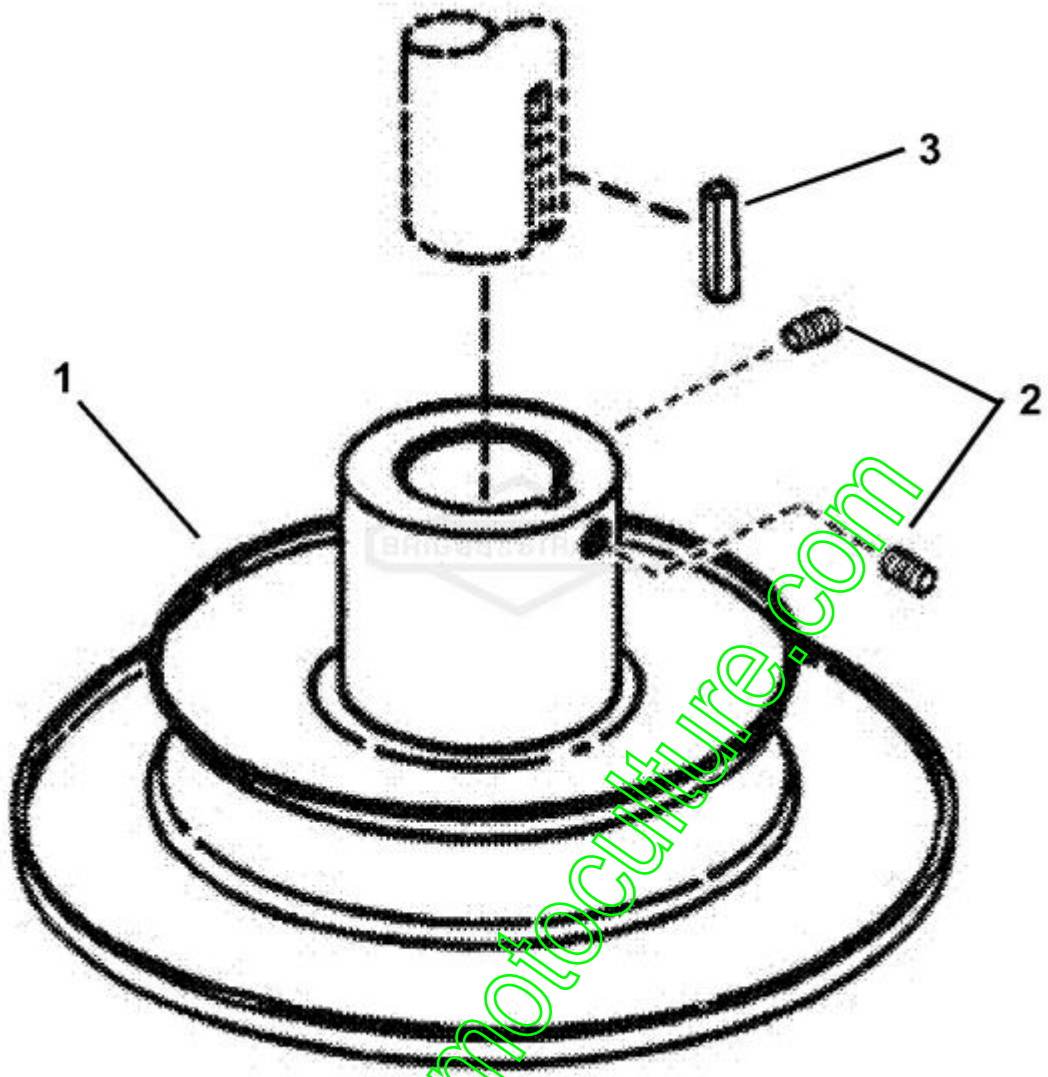
www.emc-motoculture.com



Ref #	Part #	Description	Qty	Context Note	Foot Note
1	7014401	COLLAR, Lock		(Includes P.N. 9-0201 Set screw)	
2	7018822	BALL BEARING, Axle (R. H. Fender)		(33" Models - 13, 14, 15 HP)	
2A	7012296	BEARING, Axle (R. H. Fender)		(25" & 28" Models - 8, 10 & 13HP)	
?3	7010969	NUT, 5/16-24 Hex Flange Lock			
4	7031079	WASHER, Thrust			
5	7038067	PLATE, Differential			
6	7022115	SPACER, Pinion	4		
7	7021127	GEARS, Differential Pinion			
8	7011072	WASHER, Thrust			
9	7051584	ASSEMBLY, Drive Hex Tube			
10	7010988	WASHER, Hex Nylon Splash			
11	7010964	GEAR, 11 Teeth-10 Pitch			
12	7010941	CHAIN, 46 Pitch (#35)			
13	7021129	SPROCKET			
14	7010965	RING, Retaining			
15	7021128	SPACER			
16	7012332	CLAMP, Boot	2		
17	7075115	BOOT, Oil Seal		Was 17083	
18	7011024	PLUG, Oil Fill & Check			
19	7037279	CASE, Transmission			
20	7028762	GASKET, Transmission Case			
21	7037957	FENDER, Right Hand		(33" Ball Bearing Differential Models) (2.498" hole)	
	7037280	FENDER, Right Hand		(25" & 28" Bushing Differential Models) (1.62" hole)	
22	7021158	GEAR, 63 Teeth-10 Pitch			
23	7075479	AXLE, Long		Was 47763	
24	7074431	SPACER, Differential (1.25" ID x .425 Wide)		Was 11026	
25	7057398	AXLE, Short		(Includes Gear) (Use Only With Long Axle P.N. 47763)	
26	7012333	SCREW, 5/16-24 x 1-5/8" Hex Cap Special Lock	4		
27	7011156	O-RING, 5/16"	2		
28	7011782	WASHER, Belleville	2		
29	7090395	WASHER, 5/16 External Tooth Lock			
30	7090188	WASHER, 5/16 Flat			
31	7011042	BOLT, 5/16-24 x 2-5/8" Idler			
32	7090361	SCREW, 5/16-18 x 5/8" Self-Tapping	11		
33	7091819	SCREW, 1/4-20 x 5/8" Self-Tapping	13	Was 90362	
34	7032107	SPACER, Short Axle			
35	7061017	GREASE, Transmission		(24 oz. Required)	

Ref #	Part #	Description	Qty	Context Note	Foot Note
	7060411	KIT, Differential		(Includes items 2A & 37280 Fender)	
	7060662	KIT, Differential		(Includes items 2 & 37957 Fender)	

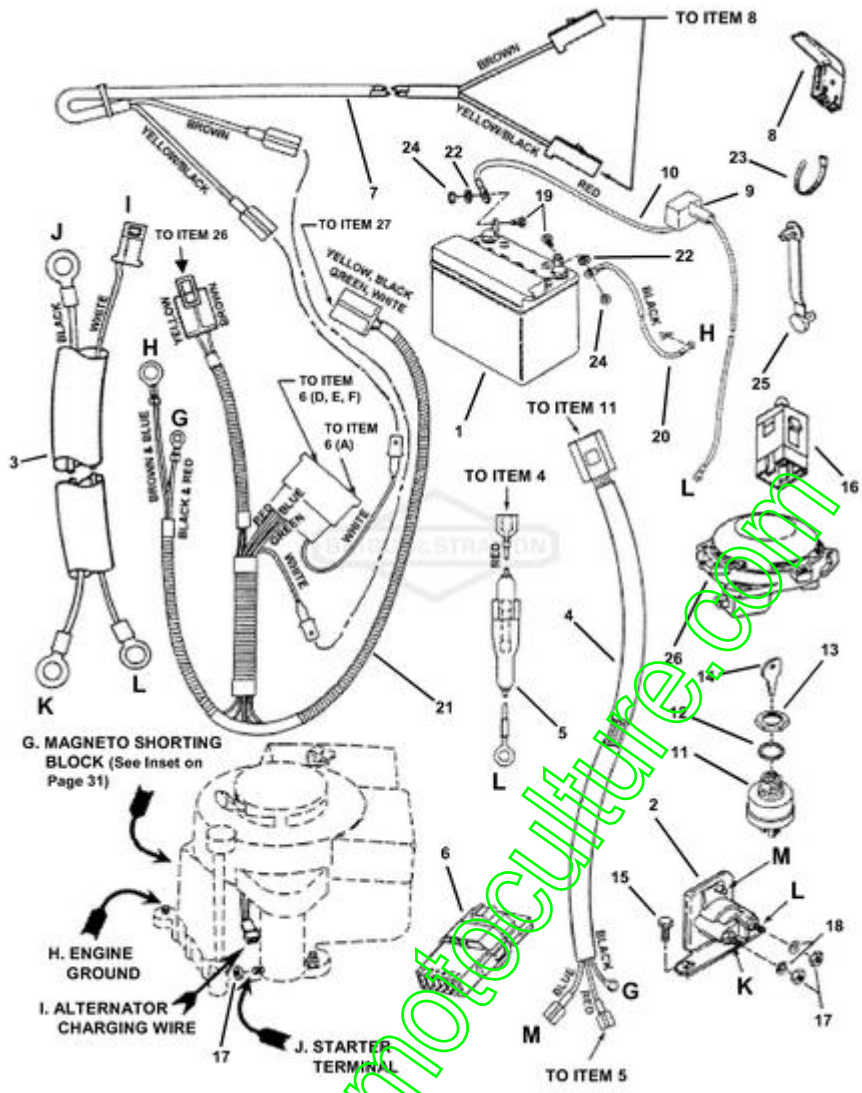
www.emc-motoculture.com



Copyright © Briggs & Stratton, LLC. All rights reserved.

Ref #	Part #	Description	Qty	Context Note	Foot Note
1	7074187	WELDMENT, 5.25" O.D. Drive Disc		(33" Models)	
	7072658	WELDMENT, 5.75" O.D. Drive Disc		(28", 30" & 42" Models)	
2	7090132	SCREW, 3/8-16 x 3/8" Set	2		
3	7010210	KEY, 1/4" Square x 2"			

www.emc-motoculture.com



G. MAGNETO SHORTING BLOCK (See Inset on Page 31)

H. ENGINE GROUND

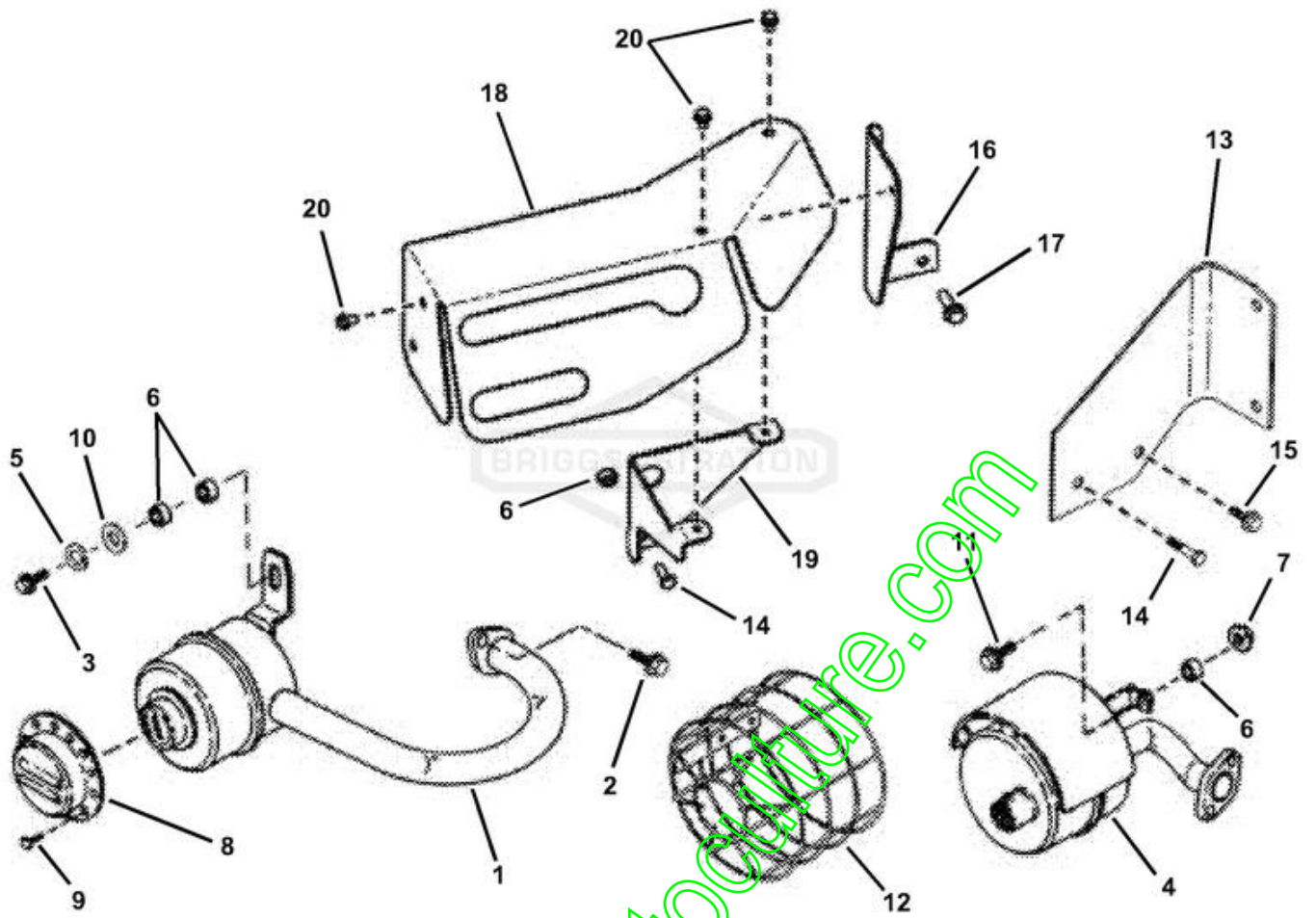
I. ALTERNATOR CHARGING WIRE

J. STARTER TERMINAL

www.emc-motoculture.com

Ref #	Part #	Description	Qty	Context Note	Foot Note
1	7060753	KIT, 12Volt Dry Charge Battery			
2	7075671	SOLENOID		Was 18817	
3	7022788	HARNESS, Starter Wiring (Briggs Engines)			
4	7019297	HARNESS, Ignition Wiring (Briggs Engines)			
5	7016168	HOLDER, Fuse		(Includes Fuse)	
	7016169	FUSE (10 AMP)			
6	7063064	INTERLOCK Module (Briggs)		Was 28606	
7	7028386	HARNESS (Deck Interlock Wiring)			
8	7018524	SWITCH, Deck Interlock (NO)			
9	7012444	COVER, Battery Cable			
10	7019326	CABLE, Positive (17" Long, Red)			
11	7018816	SWITCH, Ignition		(Used With Electric Start)	
12	7091546	WASHER, 5/8 Internal Tooth Lock		Was 90880	
13	7015438	NUT, 5/8-32 Hex			
14	7011138	KEY, Switch			
15	7091122	SCREW, 1/4-20 x 1/2" Hex Washer Self-Tap	3	Was 90539	
16	7022886	SWITCH, Operator Presence Control (OPC) Traction (NC/NO)			
17	7091576	NUT, 1/4-20 Hex, Grade 5 or B	5		
18	7090053	WASHER, 1/4 Internal Tooth Lock	2		
19	7090072	SCREW, 1/4-20 x 5/8" Hex Head Cap, Grade 5	2	Was 27172	
20	7028027	CABLE, Negative (15" Long)			
21	7028607	HARNESS, Operator Presence Control (OPC) Wire			
22	7012485	RETAINER, 1/4" Bolt	2		
23	7012080	TIE, 7" Long Cable	2		
24	7090372	NUT, 1/4-20 Hex Center Lock	2		
25	7014451	TIE, 2" Long Cable			
26	7029211	SWITCH, Seat (8, 10, & 13 HP Engines) (NC)			

WWW.EMC-MOTORCULTURE.COM

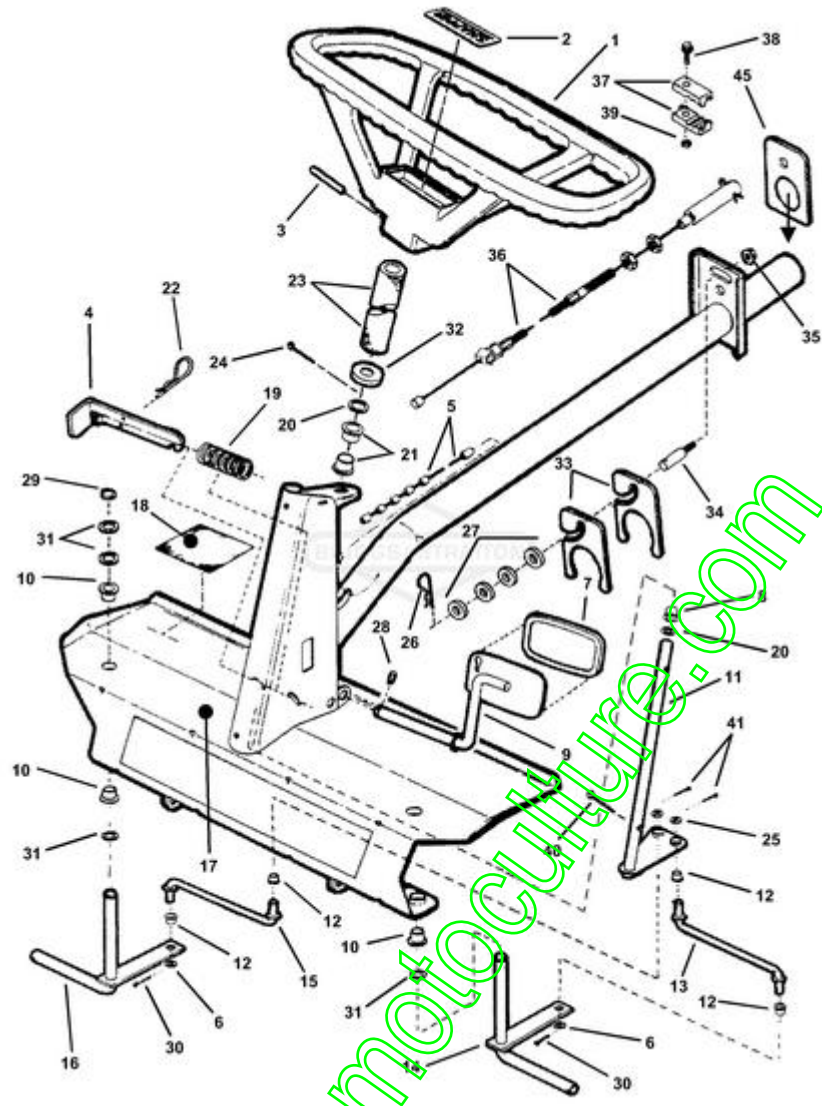


Copyright © Briggs & Stratton, LLC. All rights reserved.

www.emc-motoculture.com

Ref #	Part #	Description	Qty	Context Note	Foot Note
1	7051996	MUFFLER (B&S 9-13 HP)		(Includes items 8 & 9)	Note: * Purchase engine parts from engine manufacturer dealer.
2	7091318	SCREW, 5/16-18 x 3/4"	2	Was 90206	
3	7091814	SCREW, 1/4-20x1-1/4" Hex			
4	7019358	MUFFLER (Kohler 14/15 HP)			
5	7090052	WASHER, 1/4" Split Lock			
6	7013849	SPACER	2		
7	7091584	NUT, 1/4-20 Hex Flange Lock		Was 91065	
8	7019257	DEFLECTOR, Heat			
9	7023023	SCREW #8-18 x 3/8" Type AB			
10	7091294	WASHER, 1/4" Flat			
11	7091495	SCREW, 1/4-20 x 3/4" Hex			
12	7024356	GUARD, Muffler (Kohler)			
13	7033564	BRACKET, Muffler Guard (Kohler)			
14	7027230	SCREW, 1/4-20 x 1" Hex		Was 91059	
15	7090741	SCREW, 1/4-20 x 5/8" Hex Head Self-Tap	2	Was 91016	
16	7058580	BRACKET, Heat Shield			
17	7090369	SCREW, 5/16-18 x 1"			
18	7058578	HEAT SHIELD			
19	7058579	BRACKET, Heat Shield, Front			
20	7091084	SCREW, 1/4-20 x 3/8"	3	Was 91293	

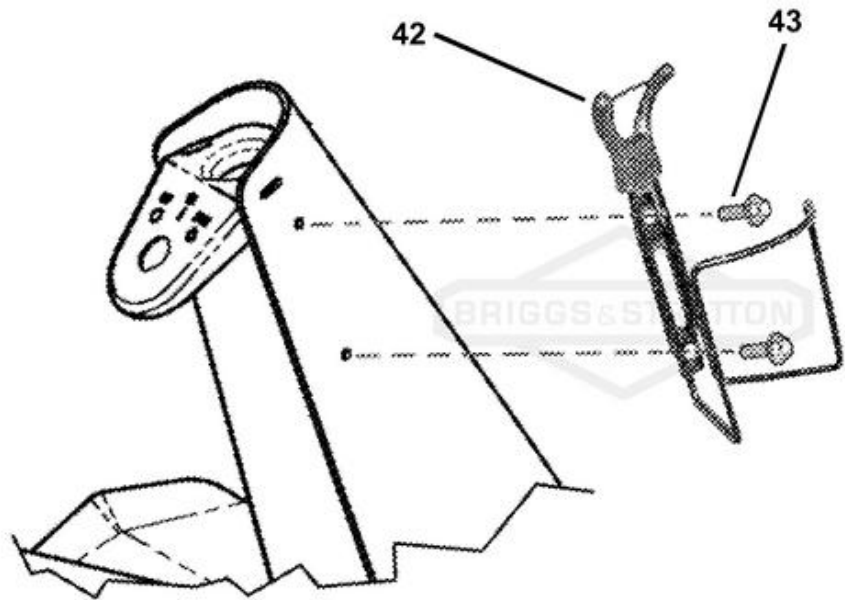
www.emc-motoculture.com



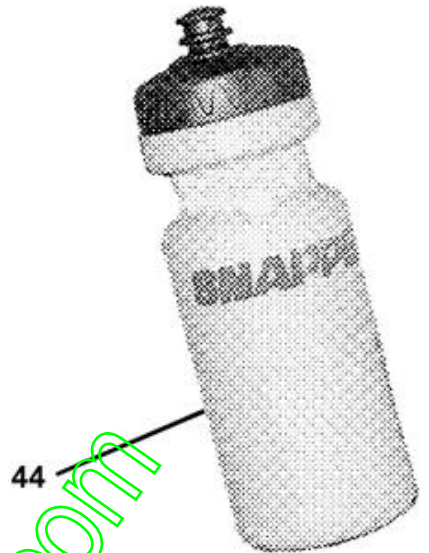
Ref #	Part #	Description	Qty	Context Note	Foot Note
1	7058030	STEERING WHEEL		(For 5/8" shaft); (includes item 2)	
2	7023781	LOGO, Steering Wheel			
3	7013862	PIN, 1/4 x 1-1/2" Roll			
4	7038243	LATCH, Parking Brake			
5	7022449	CABLE, Clutch/Brake (54.32")		(For 28" & 30" Decks)	
	7074131	CABLE, Clutch (55" long)		(For 33" & 42" Decks)	
6	7090122	WASHER, 3/8" Flat	2		
7	7011815	PAD, Clutch/Brake Pedal			
8	7010694	BUSHING, Nylon			
9	7047888	PEDAL, Clutch/Brake (weldment)			
10	7010986	BEARING, Nylon	4		
11	7046232	SHAFT, Steering (weldment)			
12	7013321	BUSHING, Tie-Rod	4		
13	7013023	TIE-ROD, Left Hand (7.41" long)			
	7012541	TIE-ROD, Left Hand (9.91" long)			
14	7041687	KING-PIN Weldment, Left Hand			
15	7012933	TIE-ROD, R. H. (7.41" long)			
	7012540	TIE-ROD, R. H. (9.91" long)			
16	7041688	KING-PIN, Weldment Right Hand			
17	7058040	WELDMENT, Front Axle, Narrow (28" & 30" Deck)			
	7059197	WELDMENT, Front Axle, Wide (33" Deck)			
18	7014049	FOOT PAD, Short	2		
	7014048	FOOT PAD, Long	2		
19	7015444	SPRING, Parking Brake			
20	7090183	WASHER, 21/32 Dia.	2		
21	7046158	BUSHING, Nylon	2		
22	7011714	PIN, Hair			
23	7023667	FOAM COVER, Steering Shaft			
24	7090296	PIN, 3/16 x 1" Cotter			
25	7090122	WASHER, 3/8" Flat	2	Was 91514	
26	7012867	PIN, 1/8" Hair			
27	7022881	SPACER, 1/2"	5		
28	7010776	RING, 1/2" External Retaining (Heavy Duty)			
29	7010746	RING, 3/4" Ext. Retaining	2		
30	7091598	PIN, 1/8 x 3/4" Cotter	2	Was 90365	
31	7010935	WASHER, 5/8 Flat	6		
32	7023671	COVER, Steering Shaft			
33	7028395	SPACER, Pivot			
34	7028332	STUD, Shoulder (3/8-24 Thread)			
35	7090854	NUT, 3/8-24 Hex Nyloc			
36	7072648	CABLE, Brake (29" long)			
37	7034174	CONNECTOR, Cable	2		
38	7091495	SCREW, 1/4-20 x 3/4", Gr. 5			

Ref #	Part #	Description	Qty	Context Note	Foot Note
39	7090372	NUT, 1/4-20 Hex Center Lock			
40	7091515	PIN, 3/16" x 1-1/2" Cotter		Was 90753	
41	7091516	PIN, 5/32" x 1" Cotter	2	Was 90364	
45	7074599	PLATE, Thrust			

www.emc-motoculture.com



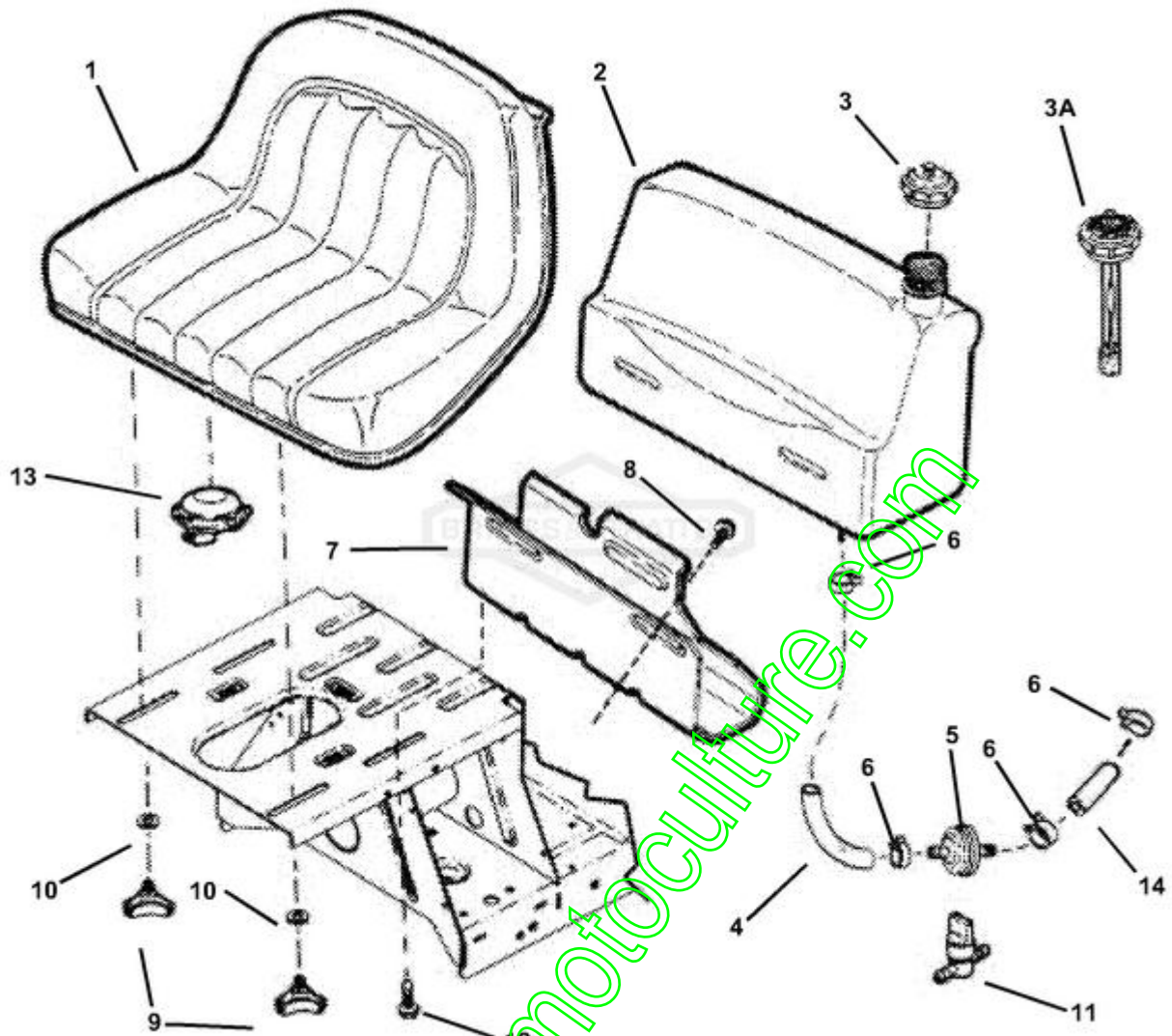
Copyright © Briggs & Stratton, LLC. All rights reserved.



www.emc-motoculture.com

Ref #	Part #	Description	Qty	Context Note	Foot Note
42	7074560	HOLDER, Wire- Bottle			
43	7090913	SCREW, #10-24 x 1/2" Hex Washer Self-Tap (Torx)	2		
44	7074561	BOTTLE, Water			

www.emc-motoculture.com

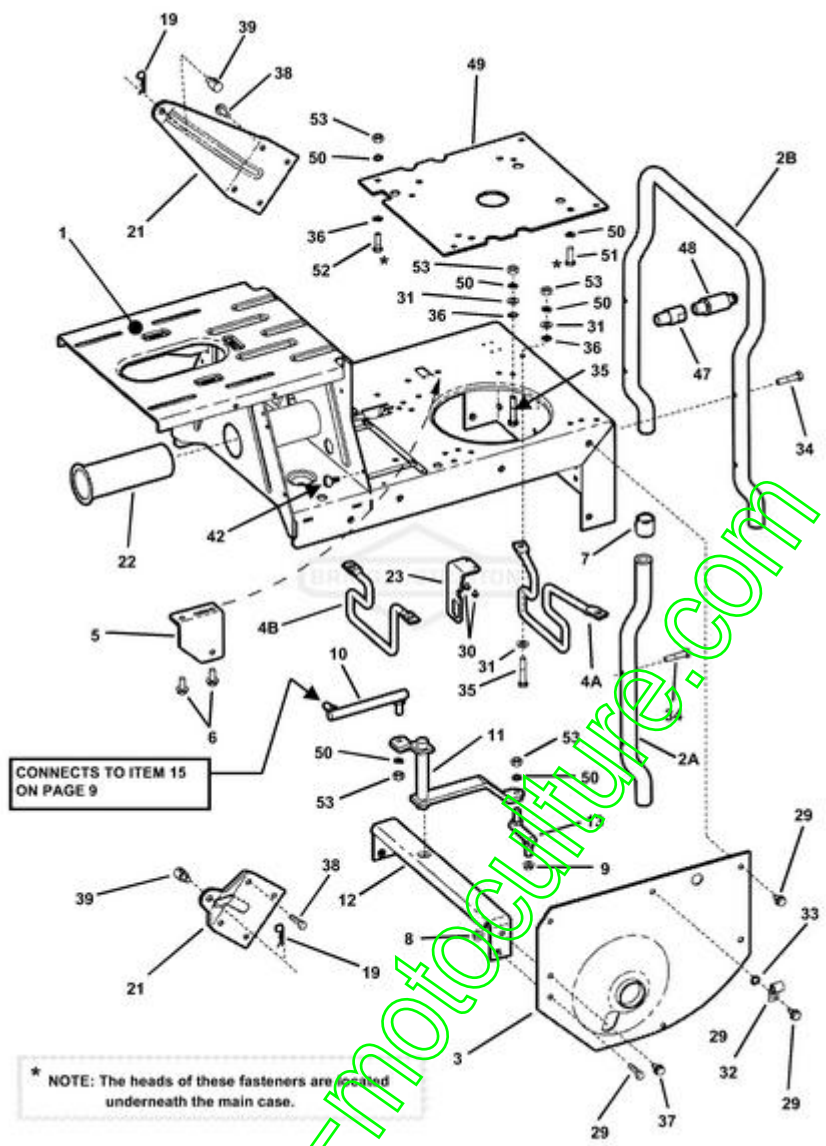


Copyright © Briggs & Stratton, LLC. All rights reserved.

www.emc-motoculture.com

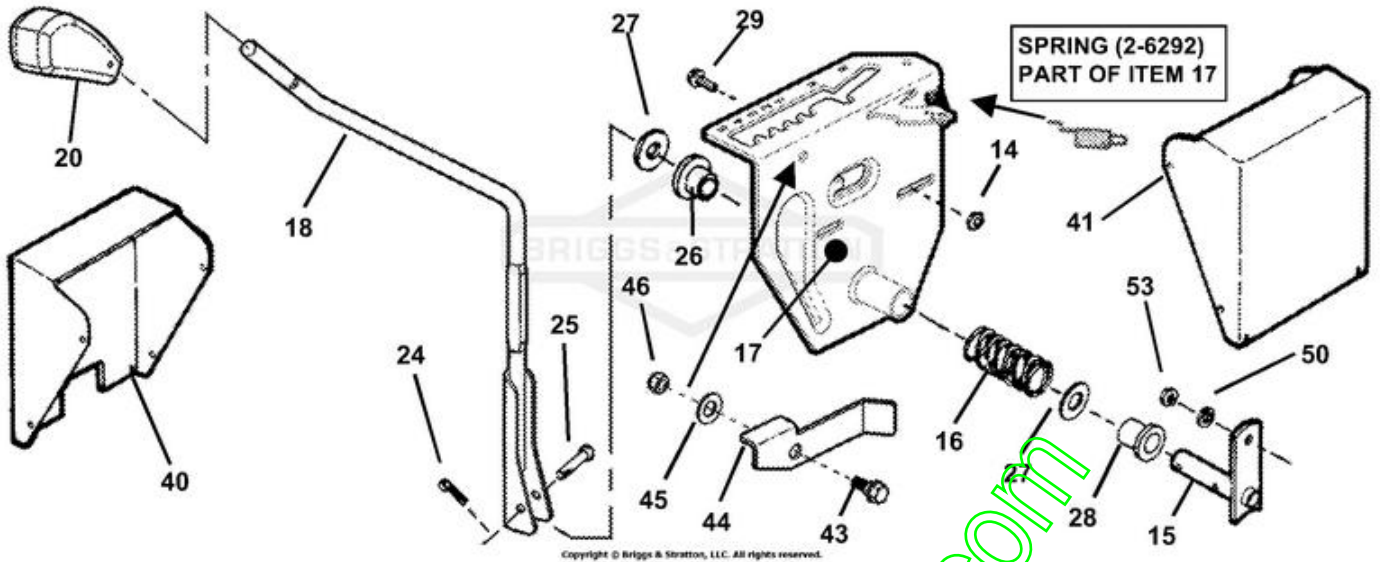
Ref #	Part #	Description	Qty	Context Note	Foot Note
1	7028595	SEAT, Operator		(12, 14.5 & 15HP Models) (Shown)	
	7028650	SEAT, Operator		(9 & 10HP Models) (Not shown)	
2	7051905	ASSEMBLY, Fuel Tank		(9 & 10HP Models)	(Includes Item 3)
	7052435	ASSEMBLY, Fuel Tank with Gauge		(12, 14.5 & 15HP Models)	(Incl. Item 3A)
3	7012515	CAP, Fuel Tank			
3A	7019377	CAP, Fuel Tank (With Gauge)			
4	7076272	HOSE, Fuel (8-1/2" Long)		(Briggs & Stratton: 8HP thru 14HP)	
	7012638	HOSE, Fuel (12-1/2" Long)		Was 12912 (Kohler Only)	
5	7014359	FILTER, Fuel (In-Line)			
6	7029900	CLAMP, Fuel Line	4	Was 12222	
7	7033377	BRACKET, Fuel Tank (Rear)			
8	7091542	SCREW, 5/16-18 x 5/8" Pan Head Self-Tap (Torx #T-40)	2		
9	7023191	KNOB, Seat Adjusting	2		
10	7013849	SPACER, 5/16	2		
11	7034212	VALVE, Fuel Shut-Off		Was 24507 (Accessory)	
12	7091038	BOLT, 5/16-18 x 1/2" Hex Flange Lock w/Nylon Patch	2		
13	7029211	SWITCH, Seat (Normally Closed)			
14		HOSE, Fuel (3-1/2" Long)			

www.emc-motoculture.com



www.emc-motoculture.com

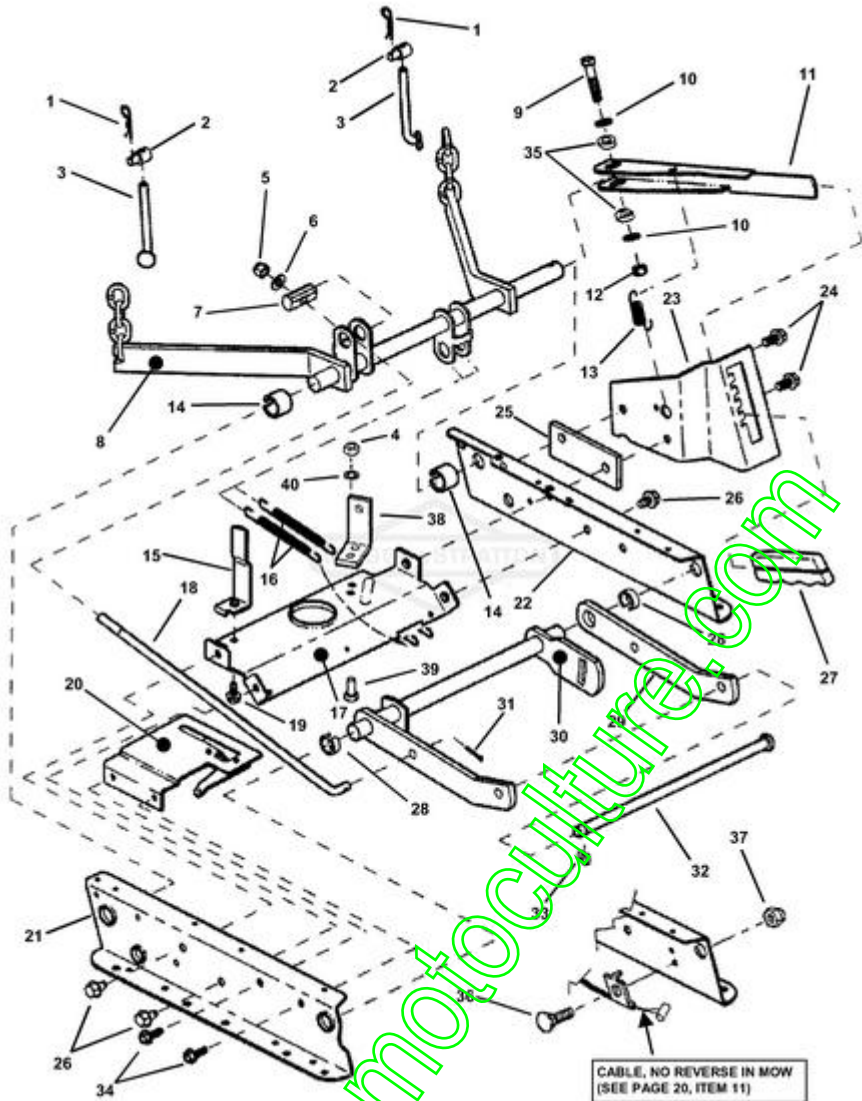
Ref #	Part #	Description	Qty	Context Note	Foot Note
1	7058044	WELDMENT, Main Case			
	7059202	WELDMENT, Main Case		E331522KVE Model only	
2A	7030798	BUMPER, Rear	2		
2B	7036367	BUMPER (1-piece) (33" Deck)			
3	7037285	FENDER, Left Hand			
4A	7036419	GUIDE, Belt		E331522KVE Model only	
4B	7017653	GUIDE, Belt			
5	7047189	BRACKET, Drive Support			
6	7090595	BOLT, 5/16-18 X 3/4" Hex Flange Lock, Grade 5	2		
7	7010153	CAP, Bumper	2		
8	7091601	NUT, 5/16-18 Hex Fl. Lock	6	Was 90585	
9	7010969	NUT, 5/16-24 Hex Flange Lock			
10	7023676	LINK, Shift (Long)			
11	7041384	ARM, Shift			
12	7033799	BRACE, Cross			
13	7011018	LINK, Shift (Short)			
19	7091503	HAIRPIN, 3/32 X 1-1/2"	2		
21	7034299	WING, Rear	2		
22	7074650	BUSHING, Pilot		Was 22509	
23	7073735	BRACKET, Switch			
29	7090361	SCREW, 5/16-18 x 5/8" Self Tap	14		
30	7090981	SCREW, #10-32 x 1/4" Hex Washer Self-Tap	2		
31	7090188	WASHER, 5/16" Flat	4	Was 91296	
32	7012652	CLIP, Wire			
33	7090391	WASHER, 5/16" Internal Tooth Lock			
34	7091506	SCREW, 5/16-18 x 1-1/2"	4	Was 90484	
35	7091513	SCREW, 5/16-24 x 1-1/2" Hex Head Cap, Grade 5	4		
36	7011791	RETAINER, 5/16 Bolt	4		
37	7091318	SCREW, 5/16-18 x 3/4" Cap		Was 90206	
38	7090793	SCREW, 5/16-18 X 3/4" Hex Self-Tap	4		
39	7028200	SWIVEL	2		
42	7091272	FASTENER, 1/4" Ratchet	7		
47	7022486	OIL DRAIN, Short			
48	7027972	ASSEMBLY, Oil Valve			
49	7074946	PLATE, Engine (Kohler engine)		Was 74190	
50	7091315	WASHER, 5/16" Split Lock	8		
51	7077692	BOLT, M8-1.25 x 25mm, Self-Tap (Kohler)			
52	7090238	SCREW, 5/16-24 x 1" Gr. 5	4		
53	7091297	NUT, 5/16-24 Hex, Grade 5	8		



www.emc-motoculture.com

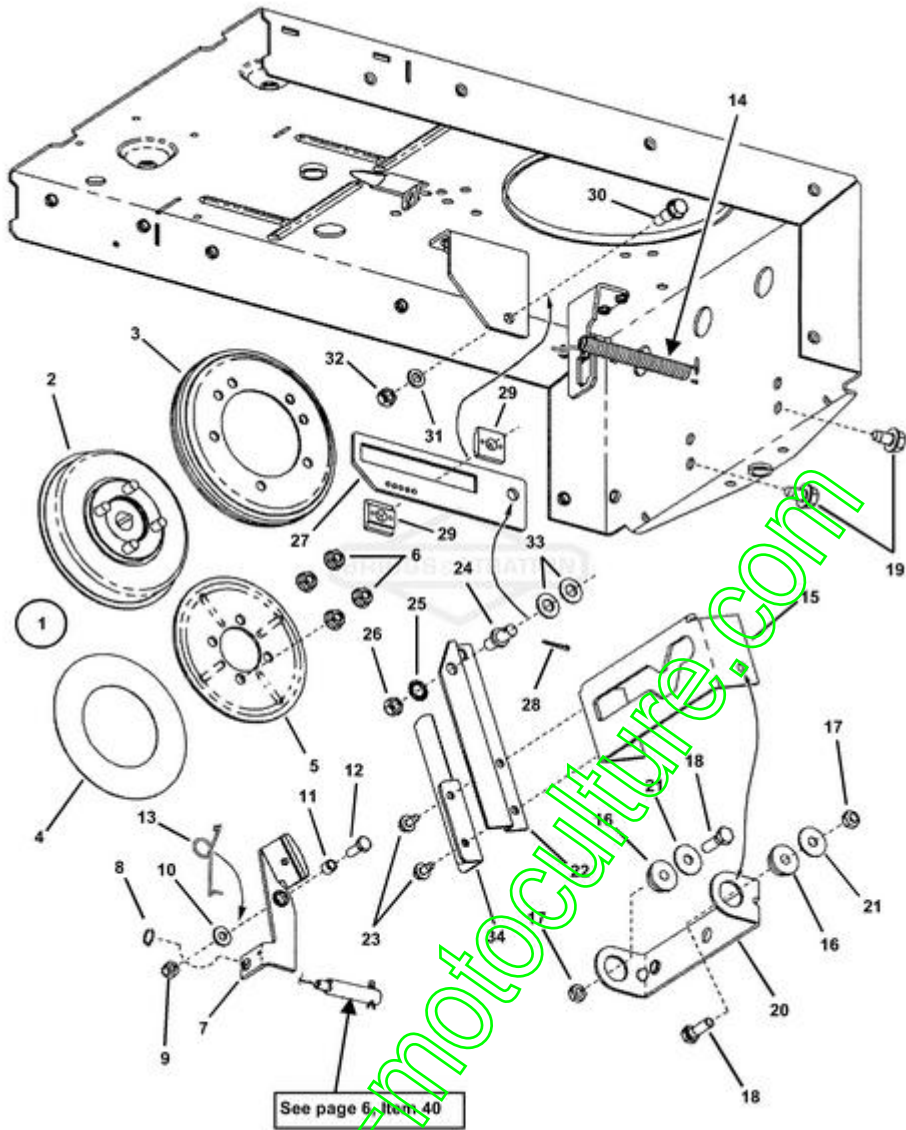
Ref #	Part #	Description	Qty	Context Note	Foot Note
14	7091511	NUT, 5/16-18 Hex, Gr. 5 or B		Was 90196	
15	7040598	ARM, Shift Handle (weldment)			
16	7010754	SPRING, Shift Handle			
17	7058763	ASSEMBLY, Shift Detent		(Incl. Spring, part no. 26292)	
18	7059212	HANDLE, Shift (weldment)			
20	7023656	GRIP, Shift Handle			
24	7091597	PIN, 3/32 x 3/4" Cotter		Was 90037	
25	7023914	PIN, 1/4 x 1-3/4" Tapered Clevis			
26	7019245	BUSHING, Nylon			
27	7031036	WASHER, Thrust	2		
28	7019246	BUSHING, Nylon	2		
29	7090361	SCREW, 5/16-18 x 5/8" Self Tap	14		
40	7028989	COVER, Switch			
	7073268	COVER, Solenoid (Kohler)			
41	7028990	COVER, Battery			
43	7015761	BOLT, 5/16-18 Shoulder			
44	7073289	LEVER, Over-Ride			
45	7091595	WASHER, 7/16" Flat			
46	7091298	NUT, 5/16-18 Nyloc			
50	7091315	WASHER, 5/16" Split Lock	8		
53	7091297	NUT, 5/16-24 Hex, Grade 5	8		

www.emc-motoculture.com



Copyright © Briggs & Stratton, LLC. All rights reserved.

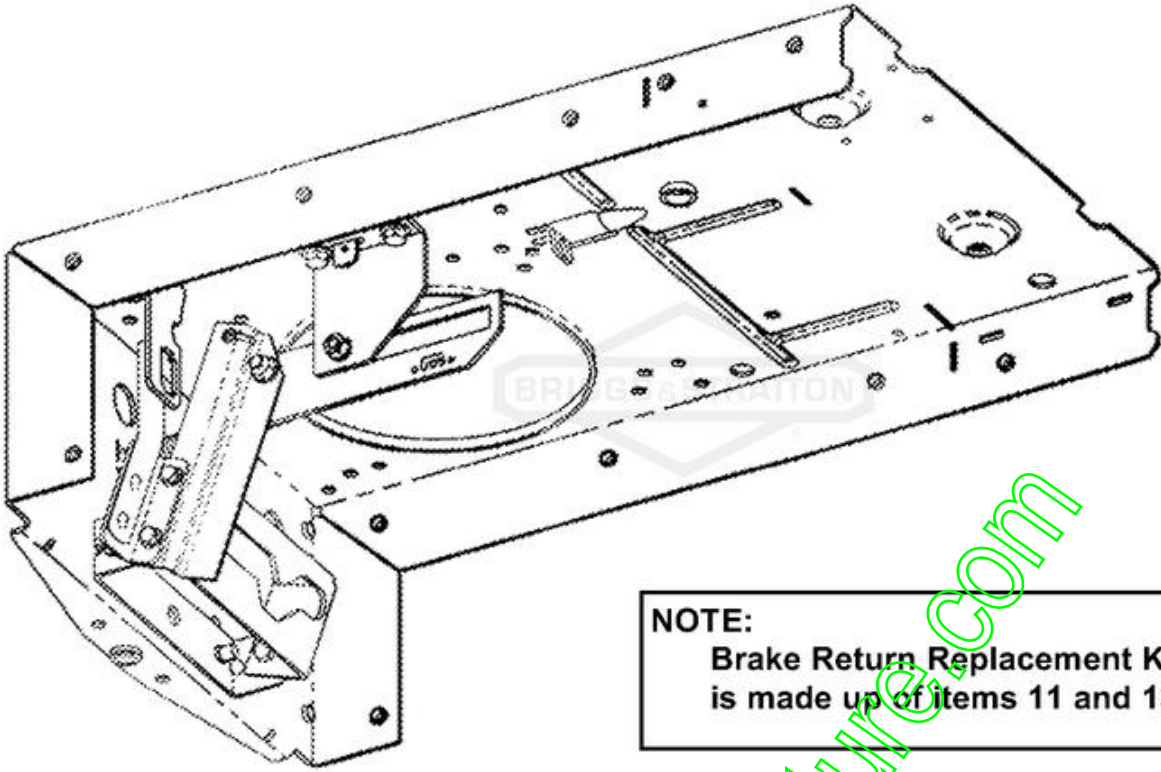
Ref #	Part #	Description	Qty	Context Note	Foot Note
1	7091503	HAIRPIN, 3/32" X 1-1/2"	2		
2	7028200	SWIVEL	2		
3	7028728	HOOK, Chain	2		
4	7091297	NUT, 5/16-24 Hex	2	Was 90223	
5	7090854	NUT, 3/8-24 Hex Nyloc			
6	7090122	WASHER, 3/8" Flat			
7	7034213	PIVOT, Leveling			
8	7059324	ARM, Rear Lift (weldment)			
9	7090483	SCREW, 3/8-24 X 1-3/4" Hex Head Cap Grade 5			
10	7032030	WASHER, 13/32" Flat	2		
11	7046155	LEVER, Height of Cut			
12	7090289	NUT, 3/8-24 Hex Center Lock			
13	7046159	SPRING, Lever			
14	7012068	RING, Blue	2		
15	7031855	GUIDE, Belt			
16	7046163	SPRING, Assist	2		
17	7031838	BRACE, Top			
18	7016122	ROD, Leveling			
19	7090361	SCREW, 5/16-18 x 5/8" Self-Tap			
20	7058969	ASSEMBLY, Clutch Plate			
21	7036430	RAIL, Deck Lift, Right Hand		Was 43848	
22	7073269	RAIL, Deck Lift, Left Hand			
23	7046157	DETENT, Height Adjust			
24	7090324	SCREW, 3/8-16 x 1" Hex Washer Self-Tap	2		
25	7046217	DETENT, Spacer			
26	7091198	SCREW, 3/8-16 x 5/8" Hex Washer Self-Tap	3		
27	7026420	GRIP, Height Adjustment Lever			
28	7012067	RING, Red	2		
29	7032997	ARM, Front Lift			
30	7058041	ARM, Front Lift (Weldment)			
31	7091598	PIN, 1/8 x 3/4" Cotter		Was 90365	
32	7022717	ROD, Support (Front Lift Arm to Front End)			
33	7017847	SNAP RING, 7/16"			
34	7090858	SCREW, 5/16-18 X 1/2" Hex Washer Self-Tap	2		
35	7071920	SPACER, Deck Lift	2		
36	7092051	BOLT, #10-24 x 1" Flat Head Square Neck			
37	7091290	NUT, #10-24 Hex Nyloc			
38	7032243	ANCHOR			
39	7090233	SCREW, 5/16-24 x 3/4" Hex Head Cap, Grade 5	2		
40	7090391	WASHER, 5/16" Internal Tooth Lock	2		



Copyright © 2000 Harley-Davidson, LLC. All rights reserved.

www.emc-motoculture.com

Ref #	Part #	Description	Qty	Context Note	Foot Note
1	7053114	ASSEMBLY, Smooth Clutch		(Includes Items 2 thru 6)	
2	7059443	ASSEMBLY, Driven Disc Hub		Was 54243	
3	7053103	DISC, Driven (rubber tire bonded to rim)			
4	7014523	WASHER, Thrust			
5	7032331	PLATE, Drive Disc			
6	7091601	NUT, 5/16-18 Hex Flange Lock	4	Was 90585	
7	7052497	ASSEMBLY, Brake Lever		(Includes Brake Lining & Rivet)	
8	7012313	RING, 3/8" External Retaining			
9	7090303	NUT, 1/4-28 Hex Top Lock			
10	7091294	WASHER, 1/4" Flat			
11	7072593	SPACER			
12	7091504	SCREW, 1/4-28 x 1" Hex Head Cap, Grade 5 (washer face)			
13	7072406	SPRING, Brake Return			
14	7013885	SPRING, Clutch Brake			
15	7046162	LIFT, Yoke			
16	7011048	BEARING, Yoke	2		
17	7092062	NUT, 5/16-24 Hex Center Lock	2	Was 11201	
18	7090238	SCREW, 5/16-24 x 1" Hex Head Cap, Grade 5	2		
19	7091198	SCREW, 3/8-16 x 5/8" Hex Washer Self-Tap			
20	7033291	COLLAR, Yoke			
21	7011763	WASHER, 5/16" Flat	2		
22	7073733	ARM, Yoke			
23	7091122	SCREW, 1/4-20 x 1/2" Hex Washer Self-Tap	2	Was 90539	
24	7015464	STUD (3/8-24 thread)			
25	7090390	WASHER, 3/8" Internal Tooth			
26	7091630	NUT, 3/8-24 Hex, Grade 5 or B			
27	7047190	BRACKET, Slide			
28	7091597	PIN, 3/32 x 3/4" Cotter		Was 90037	
29	7014663	SLIDE HALF	2		
30	7014664	BOLT, 5/16-18 Shoulder			
31	7090187	WASHER, 5/16" Split Lock			
32	7091511	NUT, 5/16-18 Hex, Grade 5 or B		Was 90196	
33	7090122	WASHER, 3/8" SAE Flat	2		
34	7059068	ASSEMBLY, Leaf Spring			



NOTE:
Brake Return Replacement Kit (6-1197)
is made up of items 11 and 13.

Copyright © Briggs & Stratton, LLC. All rights reserved.

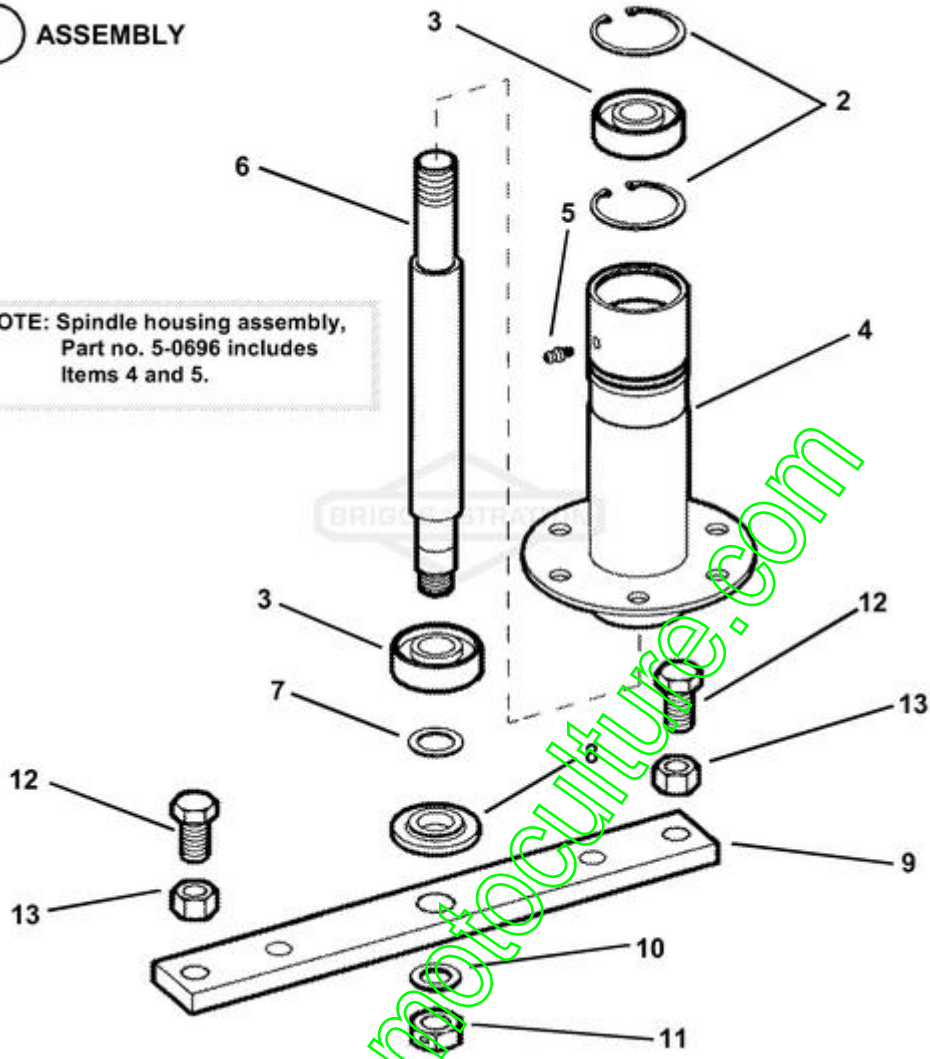
www.emc-motoculture.com

Ref #	Part #	Description	Qty	Context	Note	Foot	Note
61197	7061197	BRAKE RETURN SPRING REPLA					
11	7072593	SPACER					
13	7072406	SPRING, Brake Return					

www.emc-motoculture.com

1 ASSEMBLY

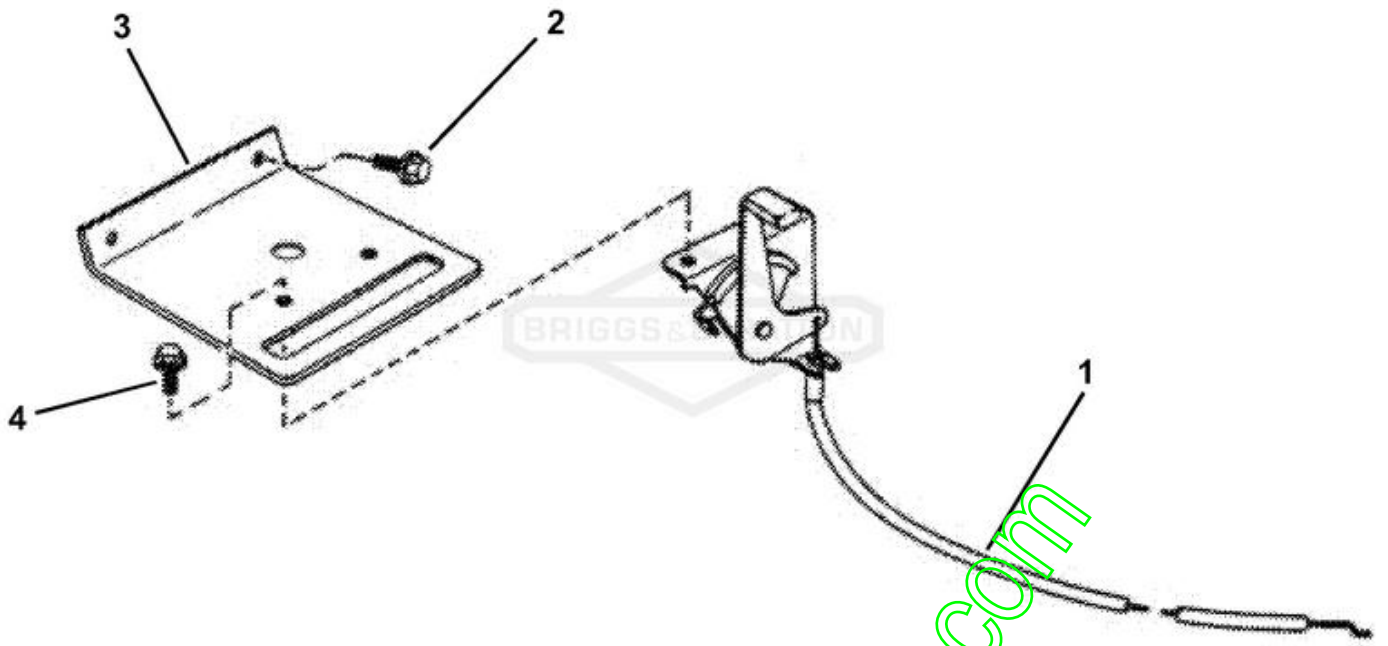
NOTE: Spindle housing assembly,
Part no. 5-0696 includes
Items 4 and 5.



www.emc-robotics.com

Ref #	Part #	Description	Qty	Context Note	Foot Note
1	7054531	ASSEMBLY, Spindle Housing		(Includes Items 2 Thru 13)	
2	7012491	RING, 1.85" Internal Retaining	2		
3	7013313	BEARING, Spindle	2		
4	7050696	WELDMENT, Spindle Housing		Was 40460	
5	7010817	FITTING, Lube (Press fit for .187 hole-no ball)		(For 3/16" diameter hole)	
6	7044785	SPINDLE, Shaft (10.237" Long)			
7	7010935	WASHER, 3/4" Shim			
8	7014407	WASHER, Spindle			
9	7037751	HOLDER, Blade			
10	7044782	SPACER, Blade Centering			
11	7090356	NUT, 5/8-18 Hex Center Lock			
12	7090491	SCREW, 1/2-20 x 1-1/4" Hex Head Cap, Grade 5	2		
13	7091939	NUT, 1/2-20 Hex Jam	2		

www.emc-motoculture.com



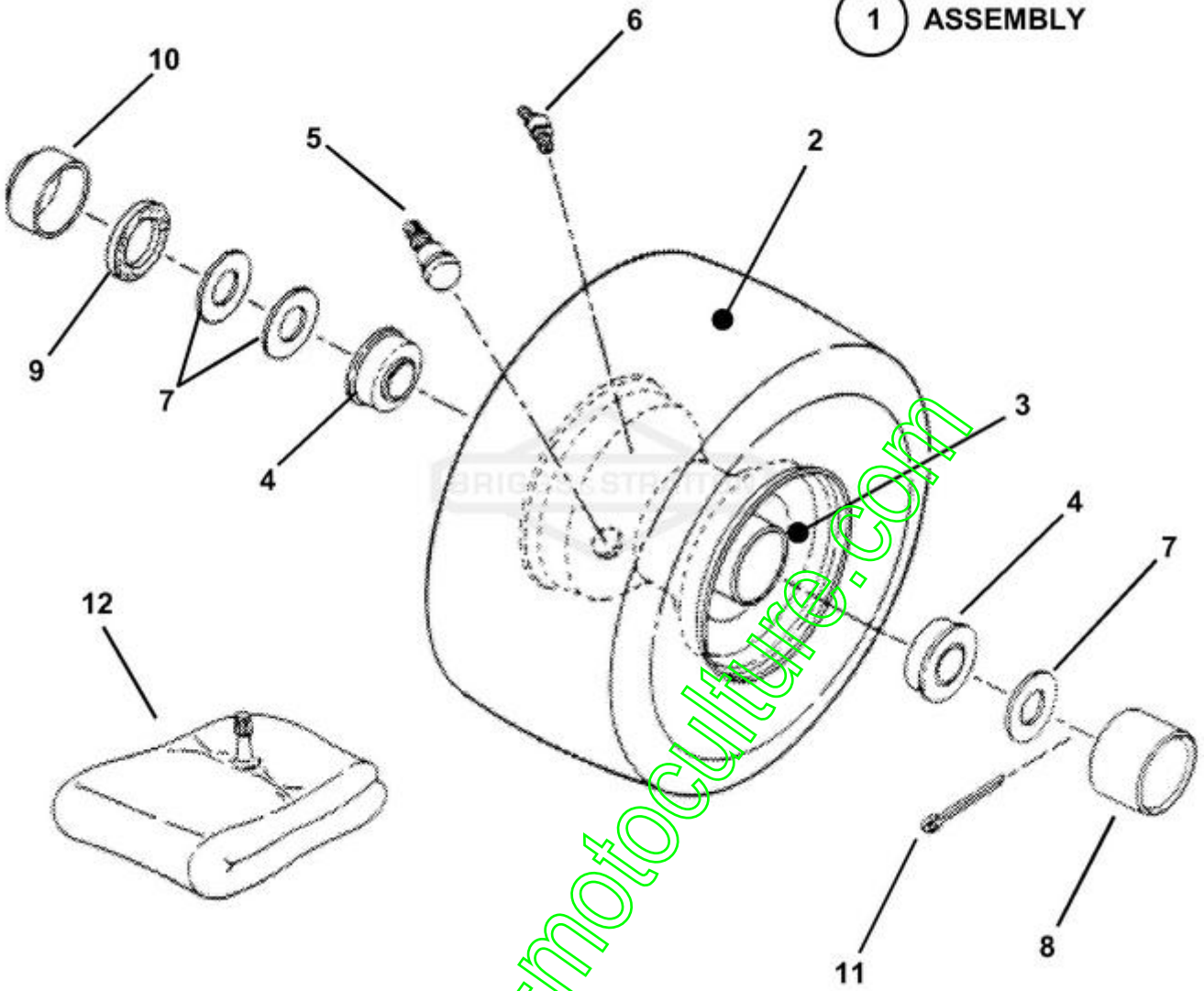
Copyright © Briggs & Stratton, LLC. All rights reserved.

www.emc-motoculture.com

Ref #	Part #	Description	Qty	Context Note	Foot Note
1	7022751	CONTROL, Throttle (23.6" long) (Briggs Engines)			
	7074320	CONTROL, Throttle (34.6" long) (Kohler Engine)			
2	7091122	SCREW, 1/4-20 x 1/2" Hex Washer Self-Tap	2	Was 90539	
3	7033470	PLATE, Throttle Control			
4	7090913	SCREW, #10-24 x 1/2" Hex Washer Self-Tap (Torx)	2		

www.emc-motoculture.com

1 ASSEMBLY

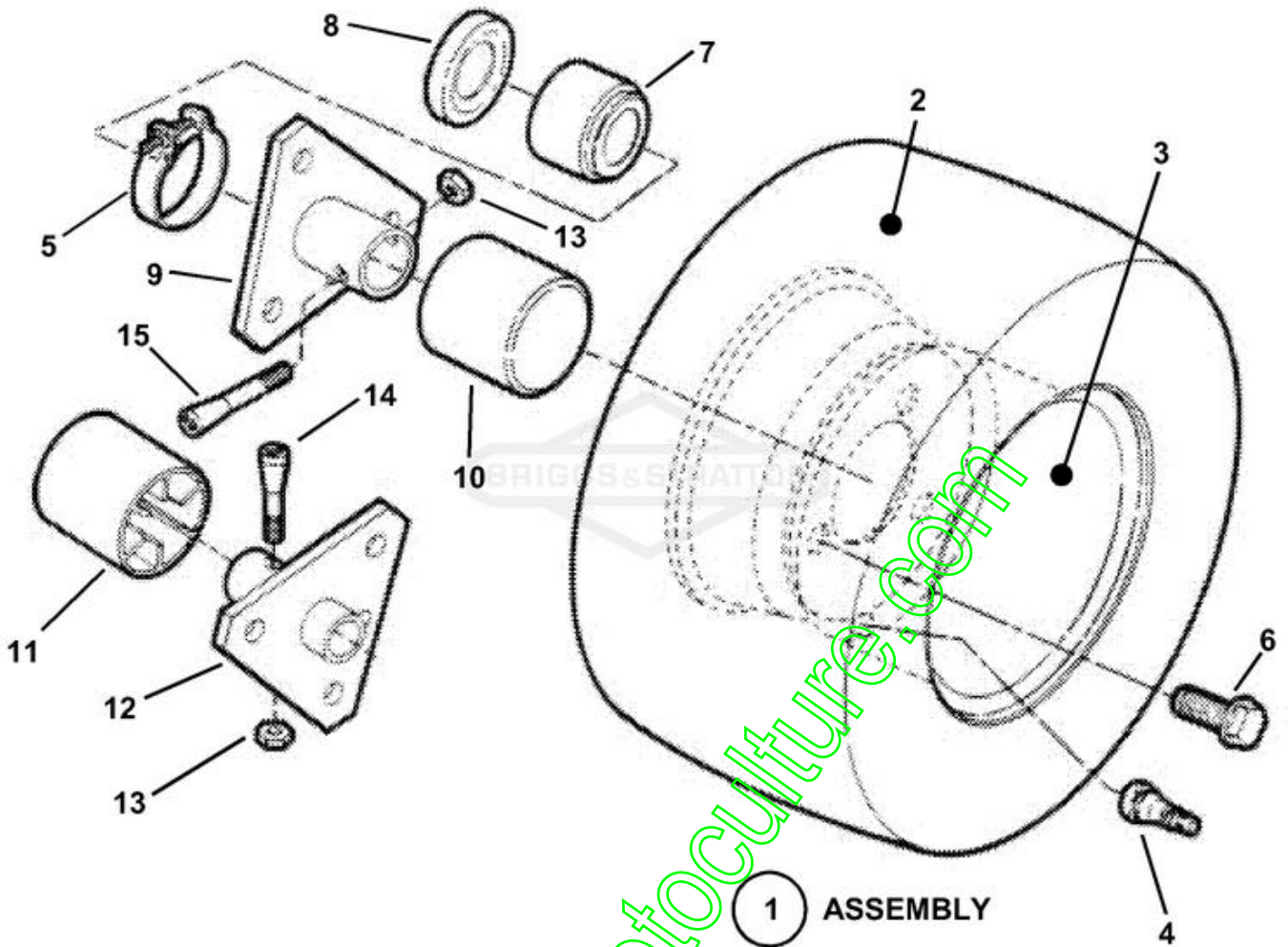


Copyright © Briggs & Stratton, LLC. All rights reserved.

www.emc-motoculture.com

Ref #	Part #	Description	Qty	Context Note	Foot Note
1	7058943	ASSEMBLY, Front Tire & Rim		(Complete); (Includes Items 2, 3, 4, 5 & 6)	
2	7073563	TIRE, 11 x 4.00-4 (Kenda)			
3	7017146	RIM		(For 4.10/3.50 x 4 Tire)	
4	7011807	BEARING, Ball			
5	7012234	VALVE, Air (Snap-in)			
6	7014669	FITTING Lube			
7	7010935	WASHER, 3/4" I.D.			
8	7011022	CAP, Hub			
9	7011032	SEAL, Felt			
10	7031038	CAP, Dust			
11	7091516	PIN, Cotter 5/32 x 1"	2		
12	7010821	TUBE, Inner		(For 4.10/3.50 x 4 Tire)	

www.emc-motoculture.com



Copyright © Briggs & Stratton, LLC. All rights reserved.

www.emc-motoculture.com

Ref #	Part #	Description	Qty	Context Note	Foot Note
1	59851	ASSEMBLY, Rear Tire & Rim		(Includes Items 2B, 3B & 4) (33" Models)	
2	7073584	TIRE, 16-6.50 x 8		(33" Models)	
3	7012163	RIM, Extra Wide		Was 17147 (For 16/7.50 x 8 Tire) (33" Models)	
4	7012234	VALVE, Air (Snap-in)			
5	7012332	CLAMP, Right Hand (8, 10 & 13 HP)			
	7014542	CLAMP, Right Hand (12, 14 & 15 HP)			
6	7091502	BOLT, 1/2-20 x 3/4" Lug (6)			
7	7031732	BOOT, Right Hand (8 & 10 HP)			
8	7011817	SEAL, Oil			
9	7040433	HUB, Rear Wheel R. H. (Weldment)			
10	7023895	CAP, Hub			
11	7023522	CAP, Hub (Left Hand)			
12	7040434	HUB, Rear Wheel L.H. (Weldment)			
13	7092062	NUT, 5/16-24 Hex Center Lock		Was 11201	
14	7011035	BOLT, 5/16-24 x 1-5/8" Tapered (Left Hand)			
15	7011013	BOLT, 5/16-24 x 2" Tapered (Right Hand)			

www.emc-motoculture.com

www.emc-motoculture.com