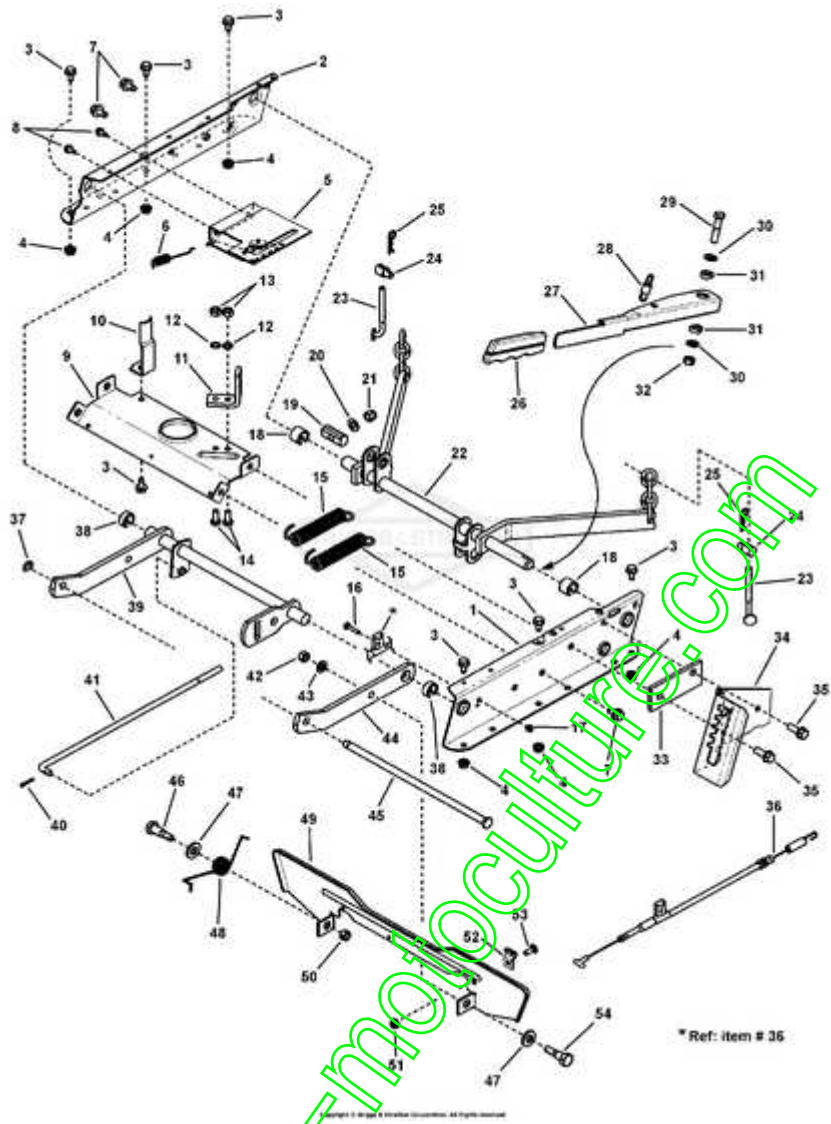


Ref #	Part #	Description	Qty	Context Note	Foot Note
1	1751632	DECAL, SNAPPER/w Turtle	1	(Was 7071916)	
2	7029948	DECAL, Battery Storage	1		
3	7073206	DECAL, Safety Instructions (Spanish/Italian)	1		
3	7035974	DECAL, Safety Instructions (English/Dutch)	1		
3	7035973	DECAL, Safety Instructions (French/German)	1		
3	7105591	DECAL, 8-Panel Symbols, Euro RER (replaces items 7029113, 7029114, 7073199, 7073200, 7029345, 7029346, 7101166 & 7103905)	1		
4	7100739	DECAL, Deck Symbols- International	1	(Was 7022841)	
5	7103440	DECAL, Height of Cut	1	(Was 7046218)	
6	7023992	DECAL, 25 Inch (Hi-Vac)	1		
6	7104786	DECAL, 64cm (25 Inch) (Hi-Vac)	1		
6	7023996	DECAL, 28 Inch (Hi-Vac)	1		
6	7104787	DECAL, 72cm (28 Inch) (Hi-Vac)	1		
7	7029947	DECAL, Battery Caution, Multi-Language	1		
7	7101164	DECAL, Battery Orientation, Euro RER	1	(Was 7029947)	
8	7101163	DECAL, Remove Battery, Symbols, Euro	1		
9	7029113	DECAL, Caution, Fuel Leakage (English)	1		
9	7029114	DECAL, Caution, Fuel Leakage (Dutch)	1		
9	7073199	DECAL, Caution, Fuel Leakage (Italian)	1		
9	7073200	DECAL, Caution, Fuel Leakage (Spanish)	1		
9	7029345	DECAL, Caution, Fuel Leakage (French)	1		
9	7029346	DECAL, Caution, Fuel Leakage (German)	1		
9	7101165	DECAL, Caution, Fuel Leakage	1	(Was 7029113)	
10	7024052	DECAL, Deflector, French/German	1		
10	7029839	DECAL, Deflector Caution (English/Dutch)	1		
10	7101167	DECAL, Blade Caution, Euro RER	1		
11	7073201	DECAL, Brake Operation (Italian)	1		
11	7073202	DECAL, Brake Operation (Spanish)	1		
11	7022215	DECAL, Brake Operation (German)	1		
11	7022216	DECAL, Brake Operation (French)	1		
11	7022218	DECAL, Brake Operation (Dutch)	1		
12	7028514	DECAL, Clutch Brake	1		
13	7029776	DECAL, Euro Community (CE)	1		
14	7100579	DECAL, European Noise Control (98 dB)	1		
14	7074135	DECAL, European Noise Control (100 dB)	1		
15	7105591	DECAL, No Mow in Reverse (Euro)	1	(Was 7074480, 7103905)	
16	7029784	DECAL, Deck/Chute International Warning	1		
17	7075608	DECAL, Service Parts, Euro	1		
18	7103905	DECAL, ISO (EURO) No Mow In Reverse	1		
19	7103219	DECAL, ID, Parking Lock	1		

Ref #	Part #	Description	Qty	Context Note	Foot Note
20		DECAL, ID Tag, Model/Serial # (Not a Sellable Item)	1		
21	380393	LABEL, Equip. Soley for Export, Exempt	1		
22	7104796	DECAL, Reverse Lockout	1		
--	7074548	DECAL, 2002 Year of Manufacture	1	(not shown)	
--	7075378	DECAL, 2003 Year of Manufacture	1	(not shown)	
--	7029490	DECAL, 2004 Year of Manufacture	1	(not shown)	
--	7011279	DECAL, 2005 Year of Manufacture	1	(not shown)	
--	7100611	DECAL, 2006 Year of Manufacture	1	(not shown)	
--	7101285	DECAL, 2007 Year of Manufacture	1	(not shown)	
--	7022841	DECAL, Danger, (Cut Finger) International Symbol	1	(used on some Discharge Deflectors)	
--	7029470	DECAL, Patent #'s (Not Shown)	1		
--	7105593	DECAL, Symbol, Blade/Belt Part #'s (Not Shown)	1		

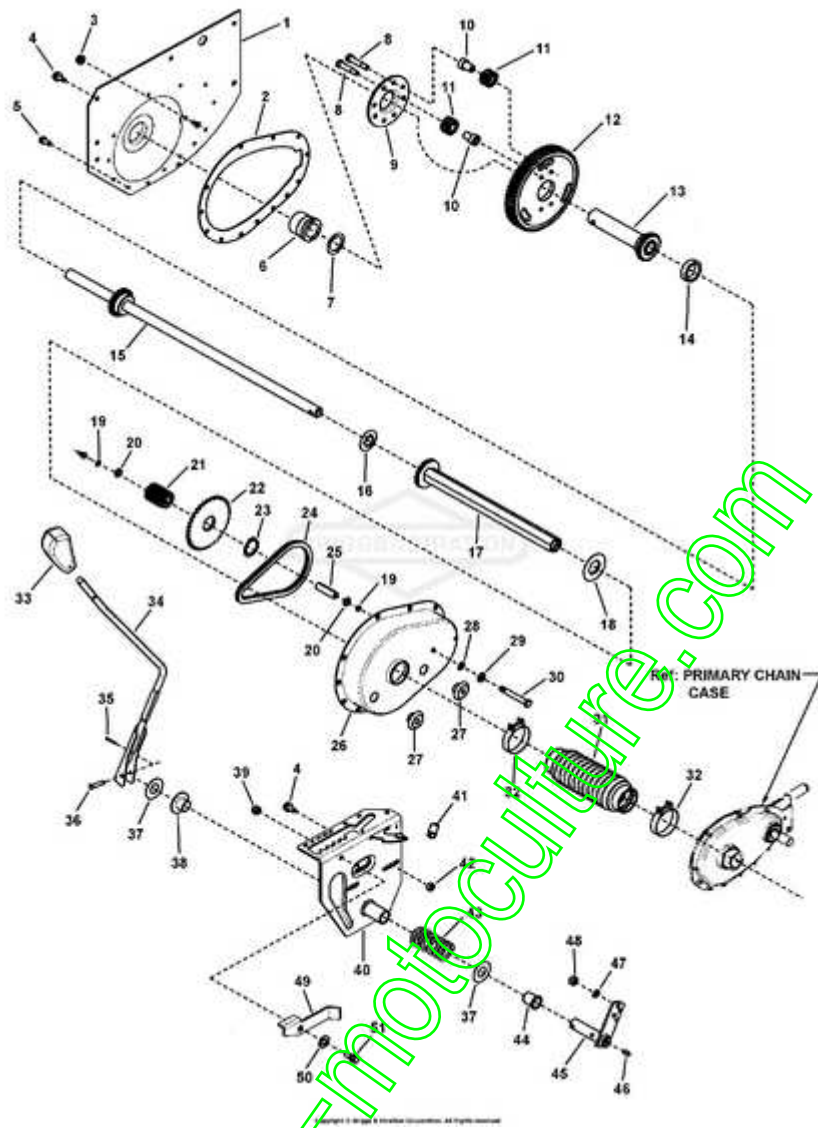
www.emc-motoculture.com



Ref #	Part #	Description	Qty	Context Note	Foot Note
1	7073269	RAIL, Deck Lift, Left Hand	1		
2	7036430	RAIL, Deck Lift, Right Hand	1		
3	7090361	SCREW, 5/16-18 x 5/8 Hex Washer Self-Tap	7		
4	703409	NUT, Serrated Lock Flange, 5/16-18	6		
5	7058969	ASSEMBLY, Clutch Plate	1		
6	7074649	SPRING, Latching	1		
7	7091198	SCREW, 3/8-16 x 5/8 Hex Washer Self-Tap	3		
8	7091867	SCREW, 5/16-18 x 1/2 Hex Washer Self-Tap	2		
9	7031838	BRACE, Top	1		
10	7031855	GUIDE, Belt	1		
11	7032243	ANCHOR	1		
12	703587	WASHER, 5/16, Internal Lock, Zinc/Clear	2		
13	703331	NUT, 5/16-24, GR5, Serated Flange, Zinc/Clear	2		
14	7090233	SCREW, 5/16-24 x 3/4 Hex Head Cap, GR 5	2		
15	7046163	SPRING, Assist	2		
16	7092051	BOLT, #10-24 x 1 Flat Head Square Neck	1		
17	703412	NUT, Nylock, #10-24	1		
18	7012068	RING, Rear Lift Arm (Blue)	2		
19	7034213	PIVOT, Leveling	1		
20	7090122	WASHER, 3/8 Flat SAE	1		
21	7090854	NUT, 3/8-24 Hex Nyloc	1		
22	7058042	WELDMENT, Rear Lift Arm	1	(used on 25 decks)	
22	7059324	WELDMENT, Rear Lift Arm	1	(used on 28 decks)	
23	7028728	ADJUSTER, Chain (5/16-18 thread)	2		
24	7028200	SWIVEL, Adjustable	2		
25	7091503	HAIR PIN, 3/32 x 1-1/2"	2		
26	7105356	GRIP, Height Adjustment Lever	1		
27	7046155	LEVER, Height of Cut	1		
28	7046159	SPRING, Lever	1		
29	7090483	SCREW, 3/8-24 x 1-3/4 Hex Head Cap, GR 5	1		
30	7032030	WASHER, 13/32 x 1-1/4 Flat	2		
31	7071920	SPACER, Deck Lift	2		
32	7090289	NUT, 3/8-24 Hex Center Lock	1		
33	7046217	SPACER, Detent	1		
34	7046157	DETENT, Height Adjust	1		
35	7090324	SCREW, 3/8-16 x 1 Hex Washer Self-Tap	2		
36	7073216	CABLE ASSEMBLY, No Reverse in Mow	1		
37	7017847	RING, .438 External Retaining	1		
38	7012067	RING, Front Lift Arm (Red)	2		
39	7058041	WELDMENT, Front Lift Arm	1		
40	7091598	PIN, 1/8 x 3/4 Cotter	1		
41	7016122	ROD, Leveling (3/4-24 thread)	1		
42	7091630	NUT, 3/8-24 Hex, GR B	1		
43	7032030	WASHER, Flat 13/32 ID x 1.25 x 1/8 Thick ZP	1		

Ref #	Part #	Description	Qty	Context Note	Foot Note
44	7032997	ARM, Front Lift	1		
45	7022717	ROD, Deck Support (Front Lift Arm to Front End)	1		
46	7015446	SHOULDER BOLT, 3/8-24 x 9/16"	1		
47	704123	WASHER, 1/2 Flat SAE, GRB, Zinc/Clear	2		
48	7015448	SPRING, Pedal	1		
49	7073267	FOOT PEDAL, Blade Stop Control	1		
50	7090289	NUT, 3/8-24 Hex Center Lock	1		
51	703233	NUT, 1/4-20 Hex Flange Lock, GR 5	1		
52	7073217	CLIP, Cable	1		
53	703575	BOLT, 1/4-20 x 3/4 Square Neck Carriage, GR 5	1		
54	7015495	SHOULDER BOLT, 3/8-24 w/Nylon Patch, GR 5	1		

www.emc-motoculture.com



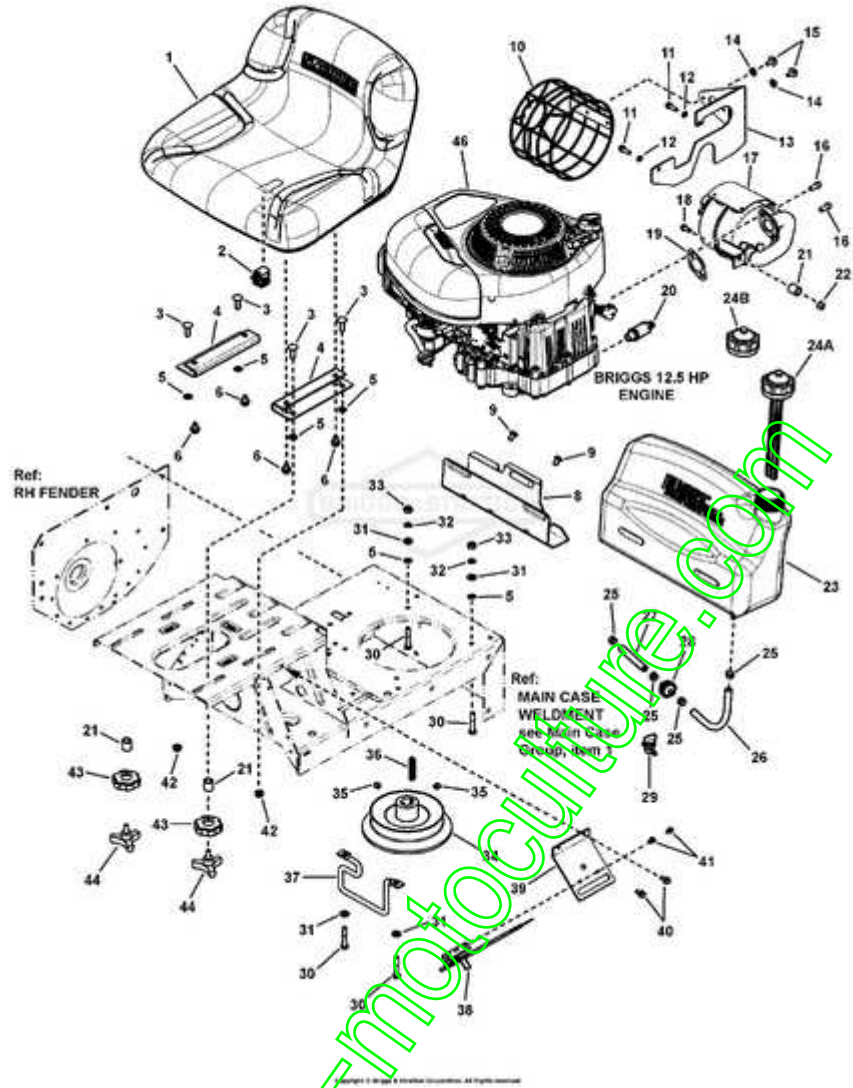
Ref #	Part #	Description	Qty	Context Note	Foot Note
1	7037280	FENDER, Right Hand (1.62 Dia. Hole)	1		
2	7028762	GASKET, Transmission Case	1		
3	7010969	NUT, 5/16-24 Flange Lock (Large)	1		
4	7090361	SCREW, 5/16-18 x 5/8 Hex Washer Self-Tap	10		
5	7091819	SCREW, 1/4-20 x 5/8 Hex Washer Head Self-Tap	13		
6	7012296	BEARING, Axle (R. H. Fender)	1		
7	7031079	WASHER, Thrust	1		
8	7012333	BOLT, 5/16-24 x 1-5/8 Hex Special Lock (Vibresist)	4	(replace after each use)	
9	7038067	PLATE, Differential	1	(Note: 4 holes offset - align properly to prevent binding.)	
10	7022115	SPACER, Pinion	4		
11	7021127	GEAR, Differential Pinion (12T 12P)	4		
12	7021158	GEAR, 63 Tooth 10 Pitch (4 Hole)	1		
13	7057398	ASSEMBLY Short Axle, 23T (Includes Gear)	1		
14	7074431	SPACER, Differential (1.25 ID x .425 Wide)	1		
15	7075479	KIT - Long Axle (Includes welded Gear and item #24)	1		
16	7011072	WASHER, Thrust	1		
17	7051584	* ASSEMBLY, Drive Hex Tube	1		Note: * Assembly includes two bearings inside hex tube (p/n 7015140, not shown) & one nylon washer (p/n 7010988, item 18).
18	7010988	WASHER, Nylon	1		
19	7011156	O-RING, 5/16"	2		
20	7011782	WASHER, 5/16 Belleville	2		
21	7200128	GEAR, 11 Tooth, 10 Pitch	1		

Ref #	Part #	Description	Qty	Context Note	Foot Note
22	7021129	SPROCKET, 34T, 3/8P	1		
23	7010965	RING, 1-3/16 External Retaining	1		
24	7010941	CHAIN, 46 Pitch (#35 Endless)	1		
25	7021128	SPACER, Differential Case	1		
26	7037279	CASE, Transmission	1		
27	7011024	PLUG, 1/2 Cup Insert	1		
28	703138	WASHER, External Lock, 5/16	1		
29	7090188	WASHER, .34 x .69 x .08 Flat	1		
30	7011042	SCREW, 5/16-24 x 2-5/8 Hex Head Cap	1		
31	7075115	BOOT, Oil Seal (Short Axle)	1		
32	7012332	BOOT CLAMP, 2"	2		
33	7023656	GRIP, Shift Handle	1		
34	7059212	WELDMENT, Shift Handle	1		
35	703312	PIN, 3/32 X 3/4, GR5, Cotter, Zinc/Clear	1		
36	7023914	PIN, 1/4 X 1-3/4 Tapered Clevis	1		
37	7031036	WASHER, Thrust	2		
38	7019245	BUSHING, 3/4 x 1.62 Flange (Nylon)	1		
39	7091298	NUT, 5/16-18 Hex Nyloc	1		
40	7058763	* ASSEMBLY, Speed Adjustment Latch	1		NOTE: * Assembly is comprised of: Shift Detent Weldment (7041232), Shoulder Rivet (7029022), Reverse Stop (7073218) & item 41.
41	7026292	SPRING	1	(part of Speed Adjustment Latch Ass'y)	
42	703465	NUT, 5/16-18, GRB, Zinc/Clear	1		
43	7010754	SPRING, Shift Detent	1		

Ref #	Part #	Description	Qty	Context Note	Foot Note
44	7019246	BUSHING, 3/4 x I.O. Flange (Nylon)	1		
45	7043201	WELDMENT, Arm, Shift Handle (w/grease ftg. Hole)	1		
46	7010817	LUBE FITTING, 3/16 Press-In	1		
47	7091315	WASHER, .32 x .58 x .08 Split Lock	1		
48	703331	NUT, 5/16-24, GR5, Serated Flange, Zinc/Clear	1		
49	7073289	LEVER, Over- Ride	1		
50	703183	WASHER, .922 X .469 X .065, Flat, Zinc/Clear	1		
51	7015761	SHOULDER BOLT, 5/16-18	1		
--	7061017	GREASE, Transmission, 00, (24 oz. Required) (Not shown)			
--	7060411	KIT, Differential (4 Pinion) (Includes items 1 thru 30)			
--	7060412	KIT, Long & Short Axle (Includes items 23, 24, & 25)			

www.9mc-motoculture.com

Ref #	Part #	Description	Qty	Context Note	Foot Note
1	7060753	KIT, Battery, 12 Volt, 220CCA, Dry Charge	1	(includes decal (7012358)	
2	7075671	SOLENOID, Super-Trombetta	1		
3	7022788	HARNESS, Starter Wiring (Briggs Engines)	1		
4	7073715	HARNESS, Ignition Wiring (Briggs Engines)	1		
5	7016168	HOLDER, Fuse (Includes Fuse)	1		
--	7016169	FUSE, 10 Amp (Not shown)	1		
6	7028606	INTERLOCK MODULE, Briggs	1		
7	7028386	HARNESS (Deck Interlock Wiring)	1		
8	7018524	SWITCH, Deck Interlock (NO)	1		
9	7012444	COVER, Battery Cable	1		
10	7019326	WIRE, Positive (Red, 17 long)	1		
11	7073797	SWITCH, Ignition, 4 Terminal, Indak	1		
12	7090880	WASHER, 5/8 Internal Tooth Lock	1		
13	7015438	NUT, 5/8-32 Hex	1		
14	7011138	IGNITION KEY, Pair	1		
14	1737837	KEYS, Blister Pk (KIDS+MWRs DON'T MIX) English/French (set of two, one coated)	1		
15	704130	HHCS, 1/4-20 X .500, GR5 Zinc/Clear Hex Washer HD Tapite	3		
16	7022886	SWITCH, Operator Presence Control (OPC) Traction (NC/NO)	1		
17	703127	NUT, 1/4-20, Zinc/Clear	5		
18	7090053	WASHER, 1/4 Internal Tooth Lock	2		
19	703338	HHCS, 1/4-20 X 0.625, GR5 Zinc/Clear	2		
20	7028027	WIRE, Negative, Black (15 long)	1		
21	7028607	HARNESS, Operator Presence Control (OPC) Wire	1		
22	7012485	RETAINER, 1/4 Bolt	2		
23	7012080	CABLE TIE, 7"	2		
24	7090372	NUT, 1/4-20 Hex Center Lock, GR 5 or B	2		
25	7014451	CABLE TIE, 3.19 long	1		
26A	7029211	SWITCH, Seat (NC)	1	(used on 11 & 13HP Engines)	
26B	7023354	SWITCH, Seat (NC)	1		



www.emc-motoculture.com

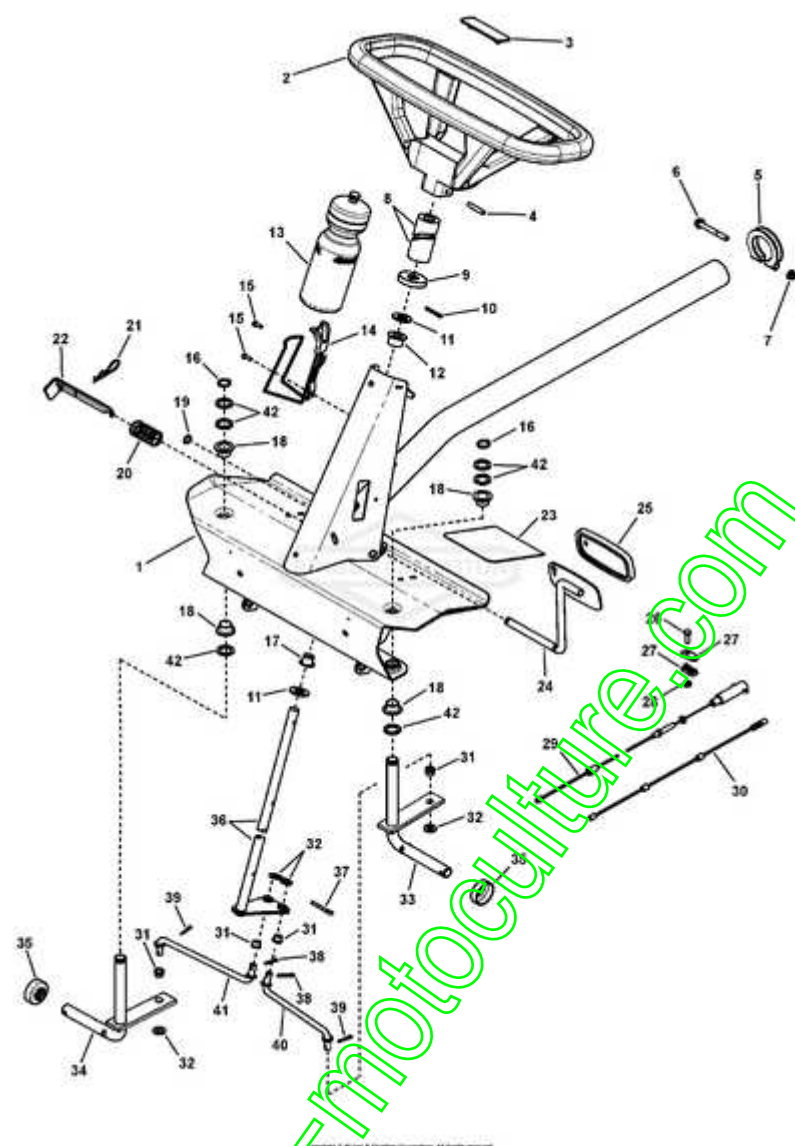
Ref #	Part #	Description	Qty	Context Note	Foot Note
1	7075071	SEAT, Operator (12 tall) (Michigan V-2400 Series - Steel Back)	1	(used on early 28" models)	
1	7600194	SEAT KIT, Operator (12 tall) (Milsco V-3405 Series - Plastic Back) (includes seat + #80003531 bolts)	1	(used on later 7800655 & 7800659 models)	
1	7075376	SEAT, Operator (9 tall) (Michigan V-2300 Series - Steel Back)	1	(used on E25 models & 7084886)	
1	7600195	SEAT KIT, Operator (9 tall) (Milsco V-3305 Series - Plastic Back) (includes seat + #80003531 bolts)	1	(Service Kit)	
2	7023354	SWITCH, Seat (NC) (Gray)	1		
3	703800	BOLT, 5/16-18 x 1 Square Neck Carriage, GR 5 YZ	4		
4	7075018BM	PLATE, Seat Adapter	2		
5	703297	RETAINER, 5/16, GR5 Zinc/Clear	8		
6	7091038YP	BOLT, 5/16-18 x 1/2 Hex Flange Nyloc	4		
8	7033377BM	BRACKET, Fuel Tank (Rear)	1		
9	7091542	SCREW, 5/16-18 x 1/2 Pan Head Self-Tap (Torx #1-40)	2		
10	7024356	MUFFLER GUARD, Kohler	1		
11	7090290	SCREW, 1/4-20 x 3/4 Hex Washer Self-Tap	2		
12	704133	WASHER, 1/4, Split Lock, GR5, Zinc/Clear	2		
13	7074965BM	HEAT SHIELD, Muffler	1		
14	703332	WASHER, Flat, 1/4	2		
15	7091016	SCREW, 1/4-20 x 5/8 Hex Head w/Free Spinning Washer	2		
16	7091738	SET SCREW, 5/16-18 x 3/4 Socket Head, GR 8	2		
17	7074453	MUFFLER w/Heat Shield (Briggs 11 & 13HP)	1		
18	7090362	SCREW, 1/4-20 x 5/8 Hex Washer Self-Tap	1		
19	7015352	GASKET, Exhaust	1		
20	7027972	ASSEMBLY, Oil Valve	1		
21	7013849	SPACER, .33 x .63 x .156	3		
22	703233	NUT, 1/4-20, GR5, Ser. Flng, Zinc/Clear	1		
23	7052435	ASSEMBLY, Fuel Tank with Gauge (Includes Cap, item 24A)	1		
23	7051905	ASSEMBLY, Fuel Tank (Includes Cap, item 24B)	1	(used on 10HP Models)	
24A	7019377	CAP, Fuel Tank w/Gage	1		

Ref #	Part #	Description	Qty	Context Note	Foot Note
24B	7012515	CAP, Fuel Tank	1		
25	7029900	CLAMP, Fuel Line (.490 X .31)	4		
26	1734994	HOSE, Fuel (1/4 I.D. x 8-1/2 long)	1	(used on 7800718 model)	
27	7077351	HOSE, Fuel (1/4 I.D. x 3-1/2 long)	1		
28	7014359	FILTER, Fuel (In-Line)	1		
29	7024507	VALVE, Fuel Shut-Off (Accessory)	1		
30	7028725	SCREW, 5/16-24 x 2 Hex Head Cap, GR 5	4		
31	7090188	WASHER, 11/32 Flat	6		
32	7091315	WASHER, .32 x .58 x .08 Split Lock	4		
33	703331	NUT, 5/16-24, GR5, Serated Flange, Zinc/Clear	4		
34	7072658	WELDMENT, 5.75 O.D. Drive Disc	1		
35	7090132	SET SCREW, HRSS, 3/8-16 x 3/8"	2		
36	7010210	KEY, 1/4 Square x 2 Long	1		
37	7105172BM	BELT GUIDE, 25, 26", 28" & 41"	1		
38	7022751	CONTROL, Throttle (23.6 long) (Briggs Engines)	1		
39	7033470	PLATE, Throttle Control	1		
40	704130	HHCS, 1/4-20 X .500, GR5 Zinc/Clear Hex Washer HD Taptite	2		
41	7090913	SCREW, #10-24 x 1/2 Hex Washer Self-Tap (Torx)	2		
42	7090672	NUT, 5/16-18 Hex Flange Top Lock	2		
43	7105085	KNOB, Fluted 5-Prong, 5/16-18 internal thread (2.15 O.D.)	2		
44	7023191	KNOB, 3-Prong, 5/16-18 x 3/4 external thread	2		
--	703127	NUT, 1/4-20, Zinc/Clear (not shown) (attaches to starter terminal)	1		
46	219907-0123-E1	* ENGINE, 12.5HP Briggs Intek OHV	1	(used on 7084651, 7085626, 84651, 85626 & 85636)	Note: * Purchase engine parts from engine manufacture dealer.
46	219907-0125-B1	* ENGINE, 12.5 Gross H.P. Briggs	1	(used on 7800117 & 7800500)	Note: * Purchase engine parts from engine manufacture dealer.

Ref #	Part #	Description	Qty	Context Note	Foot Note
46	219907-0126-B1	* ENGINE, 12.5 Gross H.P. Briggs	1	(used on 7800499)	Note: * Purchase engine parts from engine manufacture dealer.
46	219907-0172-E1	* ENGINE, 12.5 Gross H.P. Briggs	1	(used on 7800116 & 7800139)	Note: * Purchase engine parts from engine manufacture dealer.
46	219977-0129-B1	* ENGINE, 12.5HP Briggs Euro (w/oil filter)	1	(used on 7800658)	Note: * Purchase engine parts from engine manufacture dealer.
46	219977-0167-B1	* ENGINE, 12.5HP Briggs Euro (w/oil filter)	1	(used on 7800653 & 7800657)	Note: * Purchase engine parts from engine manufacture dealer.
46	21A907-0123-E1	* ENGINE, 11HP Briggs	1	(used on 84886)	Note: * Purchase engine parts from engine manufacture dealer.
46	21A907-0123-E1	* ENGINE, 12HP Briggs	1	(used on 84886)	Note: * Purchase engine parts from engine manufacture dealer.
46	21A907-0125-E1	* ENGINE, 13HP Briggs	1	(used on 84887 & 85627)	Note: * Purchase engine parts from engine manufacture dealer.
46	21B907-0139-E1	* ENGINE, 13.5HP Briggs Intek OHV	1	(used on 7085686, 7800118, & 85686)	Note: * Purchase engine parts from engine manufacture dealer.
46	21B977-0164-B1	* ENGINE, 13.5HP Briggs Euro (w/oil filter)	1	(used on 7800501)	Note: * Purchase engine parts from engine manufacture dealer.
46	21B977-0167-B1	* ENGINE, 13.5HP Briggs Euro (w/oil filter)	1	(used on earlier 7800655 & 7800659)	Note: * Purchase engine parts from engine manufacture dealer.

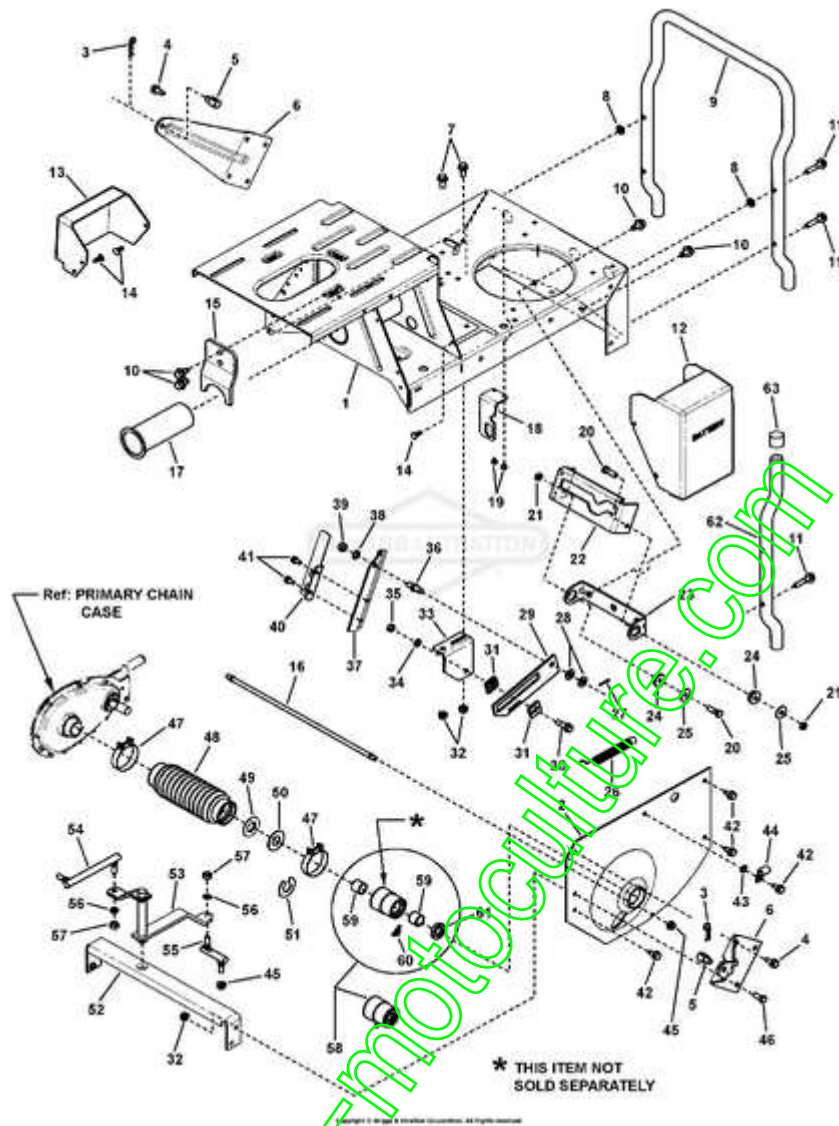
Ref #	Part #	Description	Qty	Context Note	Foot Note
46	21B977-0168-B1	* ENGINE, 13.5HP Briggs Euro (w/oil filter)	1	(used on earlier 7800655 & 7800659)	Note: * Purchase engine parts from engine manufacture dealer.
46	21B977-0168-H1	* ENGINE, 13.5HP Briggs Euro (w/oil filter)	1	(used on 7800655 & 7800659)	Note: * Purchase engine parts from engine manufacture dealer.
46	TBD-1	* Engine, 14.5 Briggs Euro (w/oil filter)	1	(used on 7800790)	Note: * Purchase engine parts from engine manufacture dealer.

www.emc-motoculture.com



www.emc-motoculture.com

Ref #	Part #	Description	Qty	Context Note	Foot Note
1	7054378	WELDMENT, Front Axle, Narrow	1		
2	7058030	ASSEMBLY, Steering Wheel (for 5/8 shaft)	1	(Includes item 3)	
3	7023781	LOGO, Steering Wheel	1		
4	7013862	ROLL PIN, 1/4 x 1-1/2"	1		
5	7031100	TUBE CLAMP	1		
6	7090358	SCREW, 5/16-24 x 2-1/2 Hex Head Cap, GR 5	1		
7	7010969	NUT, 5/16-24 Flange Lock (Large)	1		
8	7023667	FOAM COVER, Steering Shaft	1		
9	7023671	COVER, Steering Shaft	1		
10	7090296	PIN, 3/16 x 1 Cotter	1		
11	7090183	WASHER, .66 x 1.31 x .09 Flat	2		
12	7046158	BUSHING, Nylon	1		
13	7074561	BOTTLE, Water	1		
14	7074560	HOLDER, Bottle (Wire)	1		
15	7090913	SCREW, #10-24 x 1/2 Hex Washer Self Tap (Torx)	2		
16	7010746	RING, 5/8 External Retaining	2		
17	7010694	BUSHING, Nylon	1		
18	7010986	BEARING, Nylon	4		
19	7010776	RING, 1/2 External Retaining (Heavy Duty)	1		
20	7015444	SPRING, Parking Brake Latch	1		
21	7011714	HAIR PIN 2-1/4	1		
22	7038243D	LATCH, Parking Brake	1		
23	7105147	FOOT PAD, Short (5.5 x 4.7)	2	(Was 7014049)	
24	7047888BM	WELDMENT, Clutch Pedal	1		
25	7011815	PAD, Pedal	1		
26	80002712	HHCS, 1/4-20 X 0.750, GR5 Zinc/Clear	1	(Was 7091495)	
27	7034174	CONNECTOR, Cable	2		
28	7090372	NUT, 1/4-20 Hex Center Lock, GR 5 or B	1		
29	7101192	CABLE, Brake, Snap-In	1	(Was 7072648)	
30	7022449	CABLE, Clutch/Brake (54.32 long)	1		
31	7013321	BUSHING, Tie Rod	4		
32	7090122	WASHER, 3/8 Flat SAE	4	(Was 7091514)	
33	7041687	WELDMENT, King Pin, Left Hand	1		
34	7041688	WELDMENT, King Pin, Right Hand	1		
35	7031038	CAP, Dust	2		
36	7046232	WELDMENT, Steering Shaft	1		
37	7090753	PIN, 3/16 x 1-1/2 Cotter	1		
38	7090364	PIN, 5/32 x 1 Cotter	2		
39	7090365	PIN, 1/8 x 3/4 Cotter	2		
40	7013023	TIE ROD, Left Hand (7.41 long)	1		
41	7012933	TIE ROD, Right Hand (7.41 long)	1		
42	7010935	WASHER, .77 x 1.13 x .06 Flat	6		

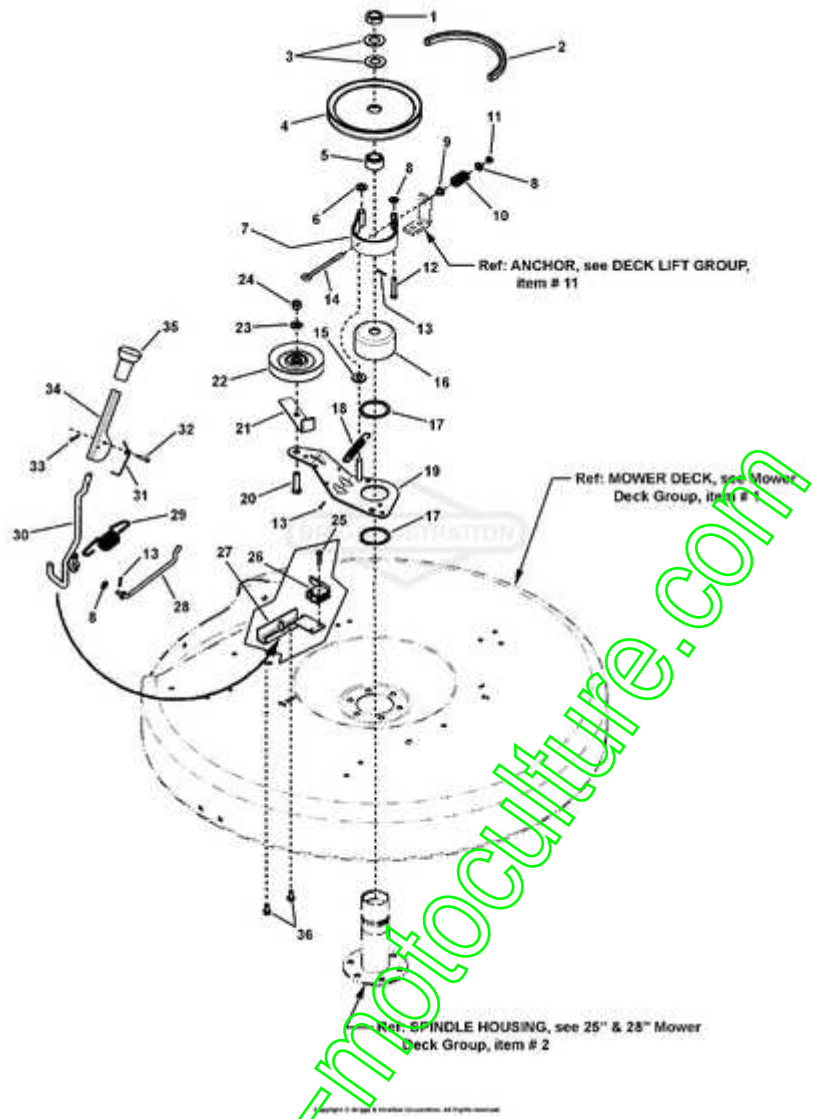


www.emc-motoculture.com

Ref #	Part #	Description	Qty	Context Note	Foot Note
1	7053697	WELDMENT, Main Case (Standard)	1		
2	7037285	FENDER, Left Hand (1.628 I. D. Hole)	1		
3	7091503	HAIR PIN, 3/32 x 1-1/2"	2		
4	7090793	SCREW, 5/16-18 x 3/4 Hex Washer Self-Tap	4		
5	7028200	SWIVEL, Adjustable	2		
6	7034299	WING, Rear	2		
7	7090595	BOLT, 5/16-18 x 3/4 Hex Flange Lock, GR 5	2		
8	7090188	WASHER, 11/32 Flat	2		
9	7036367BM	BUMPER, (1-Piece)	1		
10	7091198	SCREW, 3/8-16 x 5/8 Hex Washer Self-Tap	2		
11	7091506	SCREW, 5/16-18 x 1-1/2 Hex Washer Self-Tap	4		
12	7028990	COVER, Battery	1		
13	7073268	COVER, Solenoid	1		
14	7091272	FASTENER, 1/4 Ratchet	7		
15	7074210	BRACKET, Belt Adjuster	1		
16	7011070	TIE ROD (5/16-24 thread- both ends)	1		
17	7074650	BUSHING, Pivot	1		
18	7073735	BRACKET, Switch	1		
19	7090981	SCREW, #10-32 x 1/4 Hex Washer Self-Tap	2		
20	7090238	SCREW, 5/16-24 x 1 Hex Head Cap, GR 5	4		
21	7011201	NUT, 5/16-24 Hex Center Lock	2		
22	7046162	LIFT, Yoke	1		
23	7033291	COLLAR, Yoke	1		
24	7011048	BEARING, Yoke	2		
25	7011763	FENDER WASHER, 5/16"	2		
26	7013885	SPRING, Clutch & Brake	1		
27	703312	PIN, 3/32 X 3/4, GR5, Cotter, Zinc/Clear	1		
28	7090122	WASHER, 3/8 Flat SAE	2		
29	7047190	BRACKET, Slide	1		
30	7014664	BOLT, 5/16-18 Shoulder	1		
31	7014663	SLIDE HALF	2		
32	703409	NUT, Serrated Lock Flange, 5/16-18	6		
33	7047189	BRACKET, Drive Support	1		
34	7090187	WASHER, 5/16 Split Lock	1		
35	703465	NUT, 5/16-18, GRB, Zinc/Clear	1		
36	7015464	STUD, Clutch Link (3/8-24 thread)	1		
37	7073733	ARM, Yoke	1		
38	7090390	WASHER, 3/8 Internal Tooth Lock	1		
39	7091630	NUT, 3/8-24 Hex, GR 5 or B	1		
40	7059068	ASSEMBLY, Leaf Spring	1		
41	704130	HHCS, 1/4-20 X .500, GR5 Zinc/Clear Hex Washer HD Taptite	2		
42	7090361	SCREW, 5/16-18 x 5/8 Hex Washer Self-Tap	14		
43	703587	WASHER, 5/16, Internal Lock, Zinc/Clear	1		
44	7012652	CLIP, Wire	1		

Ref #	Part #	Description	Qty	Context Note	Foot Note
45	7010969	NUT, 5/16-24 Flange Lock (Large)	1		
46	704287	HHCS, 5/16-18 X 0.750, GR5 Zinc/Clear	1		
47	7012332	BOOT CLAMP, 2"	2		
48	7075115	BOOT, Rear Axle, Thick Flange	1		
49	7011072	WASHER, Thrust	1		
50	7011071	THRUST WASHER	1		
51	7012271	WASHER, Shim	1	(or quantity as required)	
52	7033799	CROSS BRACE	1		
53	7041384	WELDMENT, Shift Arm	1		
54	7023676	SHIFT LINK, Long (5/16-24 both ends)	1		
55	7011018	SHIFT LINK, Short (5/16-24 thread)	1		
56	7091315	WASHER, .32 x .58 x .08 Split Lock	7		
57	703331	NUT, 5/16-24, GR5, Serated Flange, Zinc/Clear	7		
58	7052827	ASSEMBLY, DX Bearing	1		
59	7074182	BEARING, DX	2		
60	7075848	FITTING, Lube, 45 Degree, 3/16 w/Hex (long shank)	1		
61	7074500	SEAL, Axle (Dust/Grease)	1		
62	7030798Z	BUMPER, Rear	2		
63	7010153	CAP, Bumper	2		

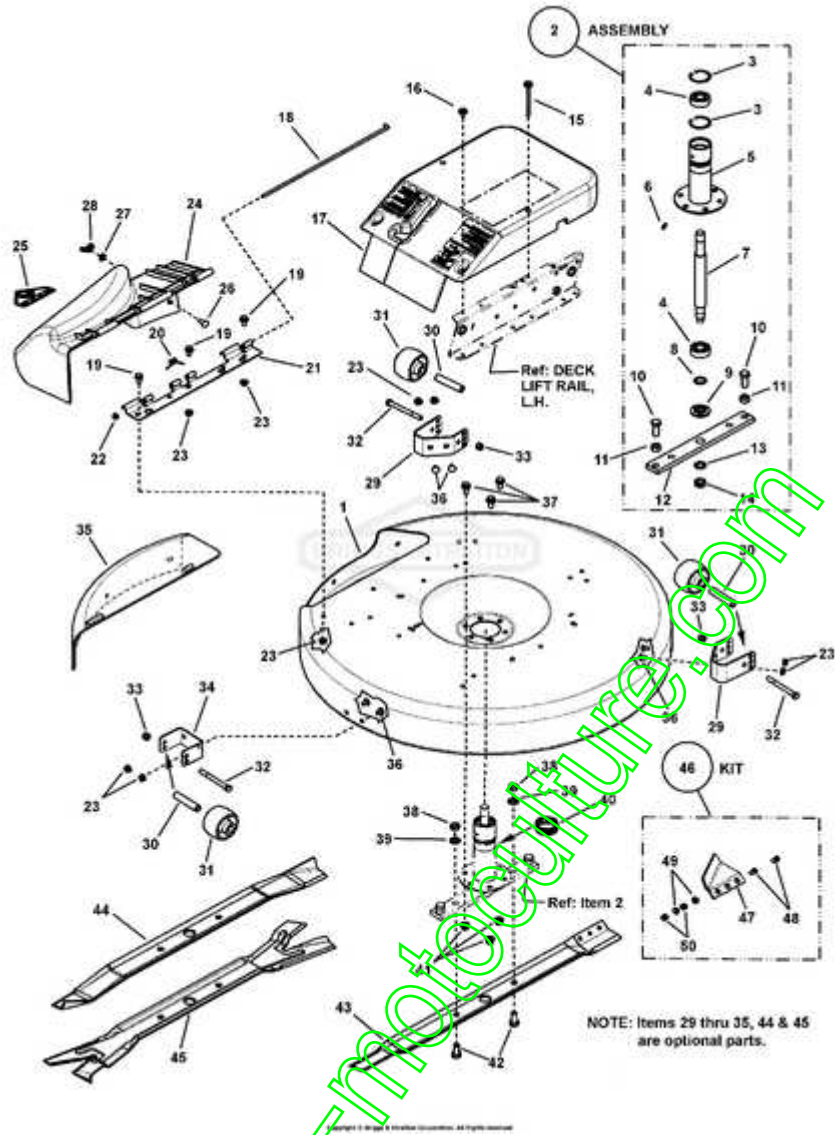
www.emc-motoculture.com



Ref #	Part #	Description	Qty	Context Note	Foot Note
1	7074467	NUT, 3/4-16 Hex Jam, GR 8	1		
2	7022252	* BELT, Drive (72.75 AA Section)	1	(used on 25 & 28 Decks)	NOTE: * Belt part numbers are printed on belts.
3	7032027	WASHER, 49/64 I.D. x 1-1/2 O.D. Flat	2		
4	7018781	PULLEY, Deck	1		
5	7015290	PULLEY, Hub (Powdered Metal)	1		
6	7090122	WASHER, 3/8 Flat SAE	1		
7	7034852	BAND, Brake (Formed)	1		
8	703332	WASHER, Flat, 1/4	4		
9	7014343	BUSHING, Flange .27 x .35 x .4	1		
10	7046782	SPRING, Rectangular Wire Die, Blue	1		
11	7091705	NUT, 1/4-20 Hex Top Lock	1		
12	7014304	PIN, 1/4 x 1-5/8 Clevis	1		
13	703312	PIN, 3/32 X 3/4, GR5, Cotter, Zinc/Clear	3		
14	7046677	EYE-BOLT, 1/4-20 x 4"	1		
15	7014314	SPACER, .39 x 1.0 x .31 Nylon	1		
16	7035378	DRUM, Brake Spindle (3 OD, 1.6 Tall)	1		
17	7010740	RING, 2 External Retaining	2		
18	7036521	SPRING, Extension, 4 x 1/2 Diameter	1		
19	7047787	WELDMENT, Idler Arm	1		
20	7091497	SCREW, 3/8-16 x 1-1/2 Hex Head Cap, GR 5	1		
21	7032111	RESTRICTOR, Belt	1		
22	7029624	PULLEY, Idler (3/8 ID, 4 OD)	1		
23	7091514	WASHER, 3/8 Flat	1		
24	703117	NUT, 3/8-16, Nylock, Zinc/Clear	2		
25	7090299	SCREW, #10-32 x 1 Hex Washer Head Self-Tap	1		
26	7018524	SWITCH, Deck Interlock (NO)	1		
27	7038021	MOUNT, Handle/Switch	1		
28	7012055	ROD, Idler Control	1		
29	7014168	SPRING, Blade Handle	1		
30	7059254	WELDMENT, Blade Engagement Handle	1		
31	7046648	SPRING, Torsion, Flip Handle	1		
32	7091974	PIN, 3/16 x 1 Clevis	1		
33	7090555	PIN, 3/32 x 1/2 Cotter	1		

Ref #	Part #	Description	Qty	Context Note	Foot Note
34	7046567BM	HANDLE, Blade Engagement (Flip)	1		
35	7046874	GRIP, Handle	1		
36	7091819	SCREW, 1/4-20 x 5/8 Hex Washer Head Self-Tap	2		

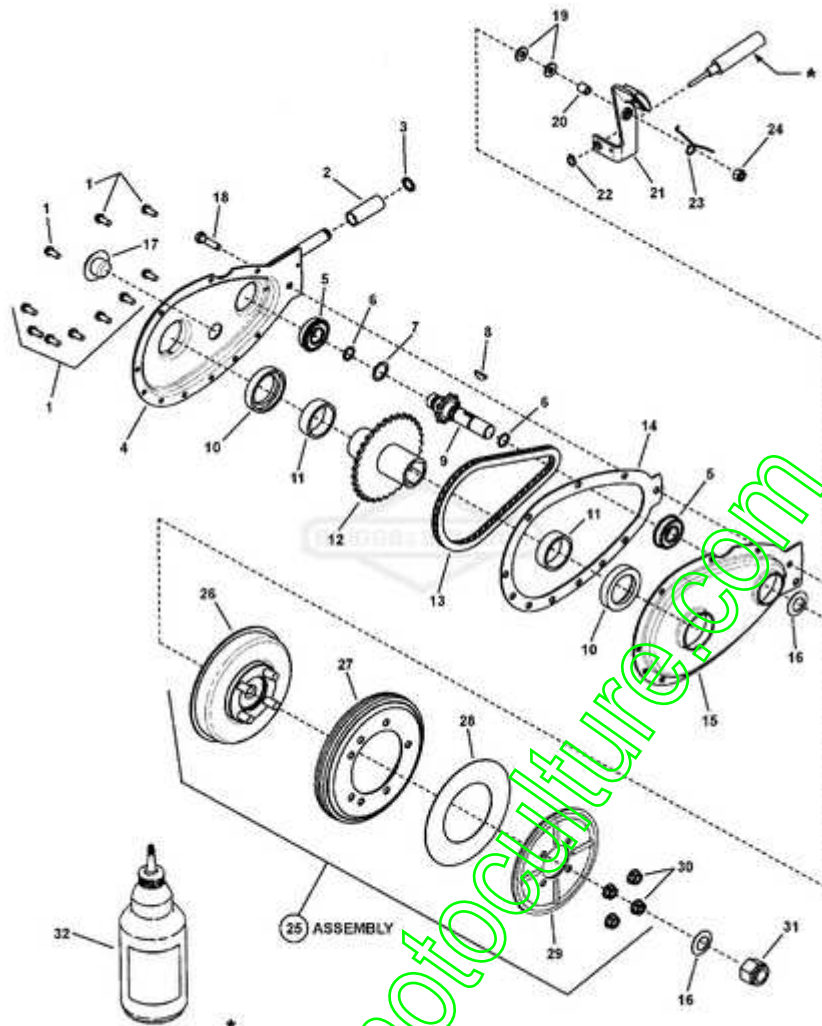
www.emc-motoculture.com



Ref #	Part #	Description	Qty	Context Note	Foot Note
1	7061969	DECK, 25 Replacement (painted deck w/decals)	1		
1	7061970	DECK, 28 Replacement (painted deck w/decals)	1		
2	7054531BM	ASSEMBLY, Spindle Housing (Incl. items 3 thru 14)	1		
3	7012491	RING, 1.85 Internal Retaining	2		
4	7013313	BEARING, Spindle	2		
5	7050696	ASSEMBLY, Housing (Incl. grease fitting, 7010817)	1		
6	7010817	LUBE FITTING, 3/16 Press-In	1		
7	7044785	SPINDLE, Rider (10.327 overall length)	1		
8	7010935	WASHER, .77 x 1.13 x .06 Flat	1		
9	7014407	WASHER, Spindle	1		
10	7090491	SCREW, 1/2-20 x 1-1/4 Hex Head Cap, GR 5	2		
11	7091939	NUT, 1/2-20 Hex, GR 5 or B	2		
11	7031184	HOLDER, Blade (for 25 deck)	1		
12	7037751	HOLDER, Blade (for 28 Deck)	1		
13	7044782	SPACER, Blade Centering	1		
14	7090356	NUT, 5/8-18 Hex Center Lock Jam	1		
15	7091015	SCREW, 1/4-20 x 3-1/2 Hex Head w/Free Spinning Washer	2		
16	7091016	SCREW, 1/4-20 x 5/8 Hex Head w/Free Spinning Washer	4		
17	7073434	COVER, Spindle	1		
18	7105174	PIN, Hinge, .25" X 16.25"	1		
19	7090606	BOLT, 5/16-18 x 5/8 Hex Flange Lock, GR 5	3		
20	7016341	SPRING, Hinge	1		
21	7300886BM	HINGE, Deflector (Deck side)	1		
22	7091020	PUSH NUT, 1/4 BZ	2		
23	703409	NUT, Serrated Lock Flange, 5/16-18	9		
24	7500276	ASSEMBLY, Discharge Deflector, 25 & 28 (w/o decal)	1	(incl. items 18, 20, 21, 22 & p/n 7026233)	
24	7026233	DEFLECTOR, Discharge, 28"	1		
25	7022841	DECAL, Danger, (Cut Finger) International Symbol	1		
26	7091508	BOLT, 5/16-18 x 3/4 Short Neck Carriage, GR 5	2		
27	7090188	WASHER, 5/16 Flat	2		
28	7091537	NUT, 5/16-18 Wing	2		
29	7033571	BRACKET, Gage Wheel (Rear)	2	(optional)	
30	7015272	SPACER	3	(optional)	
31	7019190	WHEEL, Gage	3	(optional)	

Ref #	Part #	Description	Qty	Context Note	Foot Note
32	7091532	SCREW, 3/8-24 x 3-3/4 Hex Head Cap, GR 5	3	(optional)	
33	7091518	NUT, 3/8-24 Hex Nyloc	3	(optional)	
34	7033570	BRACKET, Gage Wheel (Front)	1	(optional)	
35	7016983	COVER, 28 Mulcher	1	(optional)	
36	7090731	BOLT, 5/16-18 x 1/2 Short Neck Carriage, GR 5	6		
37	7091588	BOLT, 3/8-16 x 3/4 Hex Flange Lock	3		
38	7090559	NUT, 1/2-20 Hex Jam	2		
39	7090509	WASHER, 1/2 Internal Tooth Lock	2		
40	7012670	RING, Tolerance	1		
41	703333	NUT, 3/8-16, GR5, Flanged, Zinc/Clear	9		
42	7090392	SCREW, 1/2-20 x 1 Hex Head Cap, GR 5	2		
43	7019518YP	BLADE, 25"	1		
43	7019515BZYP	BLADE, 28"	1		
44	7016967	BLADE, 25 Mulcher	1		
44	7016980BZYP	BLADE, 28 Mulcher	1		
45	7029143BMYP	BLADE, Ninja, 25"	1		
45	7104083BZ	BLADE, Ninja, 28"	1		
46	7060480	KIT, Air Lift, Hi-Vac (Includes items 47, 48, 49 & 50)	1		
47	7037723	AIR LIFT, Hi-Vac (3 hole)	2		
48	7090228	SCREW, 5/16-24 x 11/16 Oval Head Machine	6		
49	703587	WASHER, 5/16, Internal Lock, Zinc/Clear	6		
50	7090223	NUT, 5/16-24 Hex	6		

www.emsculture.com



* Ref: BRAKE CABLE: see Front End Ass'y Group, item 24

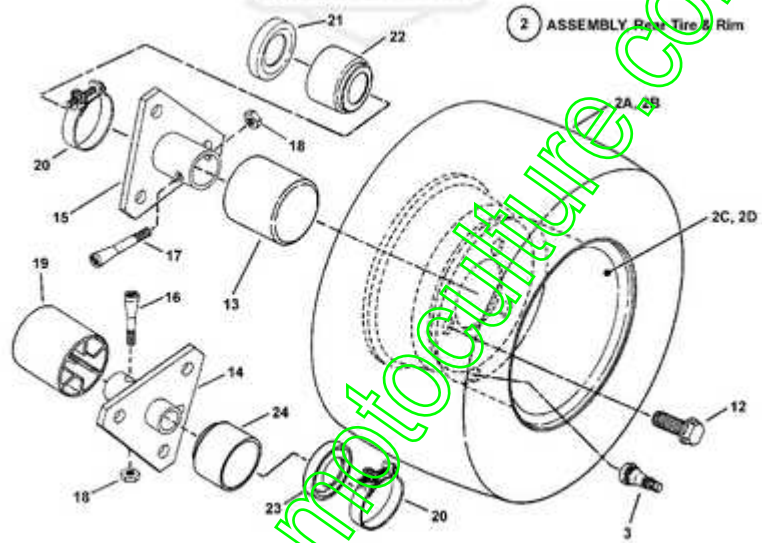
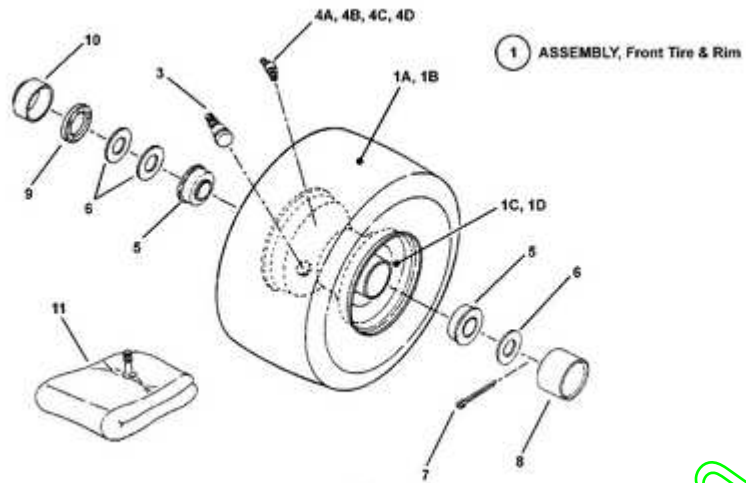
www.emc-motoculture.com

Ref #	Part #	Description	Qty	Context Note	Foot Note
--	7052683	ASSEMBLY, Primary Chain Case	1	(Includes the following 16 items)	
1	7090307	SCREW, 10-24 x 1/2 Hex Washer Self-Tap	10		
2	7022785	ROLLER, 1-3/8 Long	1		
3	7010776	RING, 1/2 External Retaining (Heavy Duty)	1		
4	7041136	WELDMENT, Primary Chain Case Half, Right Hand	1		
5	7010756	BEARING, .625 x 1.37 x .435	2		
6	7019260	O-RING, 1/2 x 5/8"	2		
7	7027981	WASHER, Shim .625 x .875	1		
8	7010614	KEY, #5 Woodruff	1		
9	7018963	WELDMENT, Sprocket & Shaft	1		
10	7011086	THRUST WASHER, Nylon	2		
11	7010942	BEARING, Needle 1.355 ID x 1.6245 OD x .5 Wide	2		
12	7040355	WELDMENT, Hub & Sprocket	1		
13	7010941	CHAIN, 46 Pitch (#35 Endless)	1		
14	7028761	GASKET, Primary Chain Case	1		
15	7039778	PRIMARY CHAIN CASE HALF, Left Hand	1		
16	7011121	WASHER, 5/8 Belleville	2		
17	7011024	PLUG, 3/4 Cup Insert	1		
18	7091504	SCREW, 1/4-28 x 1 Hex Head Cap, (Washer Face) GR 5	1		
19	703332	WASHER, Flat, 1/4	2		
20	7072593	SPACER, Brake Arm Pivot (.418/.403 long)	1	(replaces 7010916 (.300/.285 long))	
21	7052497	ASSEMBLY, Brake Lever (Includes brake pad & rivet)	1		
22	7012313	RING, 3/8 External Retaining	1		
23	7072406	* SPRING, Torsional Brake Return	1		

* NOTE: Brake return replacement kit (7061197) is made of items 20 & 23.

Ref #	Part #	Description	Qty	Context Note	Foot Note
24	7090303	NUT, 1/4-28 Hex Top Lock	1		
25	7053114	ASSEMBLY, Smooth Clutch (non-asbestos)	1	(Includes the following 5 items)	
26	7059443	HUB, Driven Disc (assembly)	1	(replaces 7054243 (voided))	
27	7053103	DISC, Driven (rubber tire bonded to rim)	1		
28	7014523	THRUST WASHER	1		
29	7032331	PLATE, Drive Disc	1		
30	7092081	NUT, 5/16-24 Hex Flange Lock	4		
31	7091505	NUT, 5/8-18 Hex Nyloc	1		
32	7061017	** GREASE, Transmission (Use 2 oz. Maximum)	1 qt		** NOTE: Use 2 oz. maximum (Overfilling may cause leakage at 7010756 bearing)

www.emc-motoculture.com

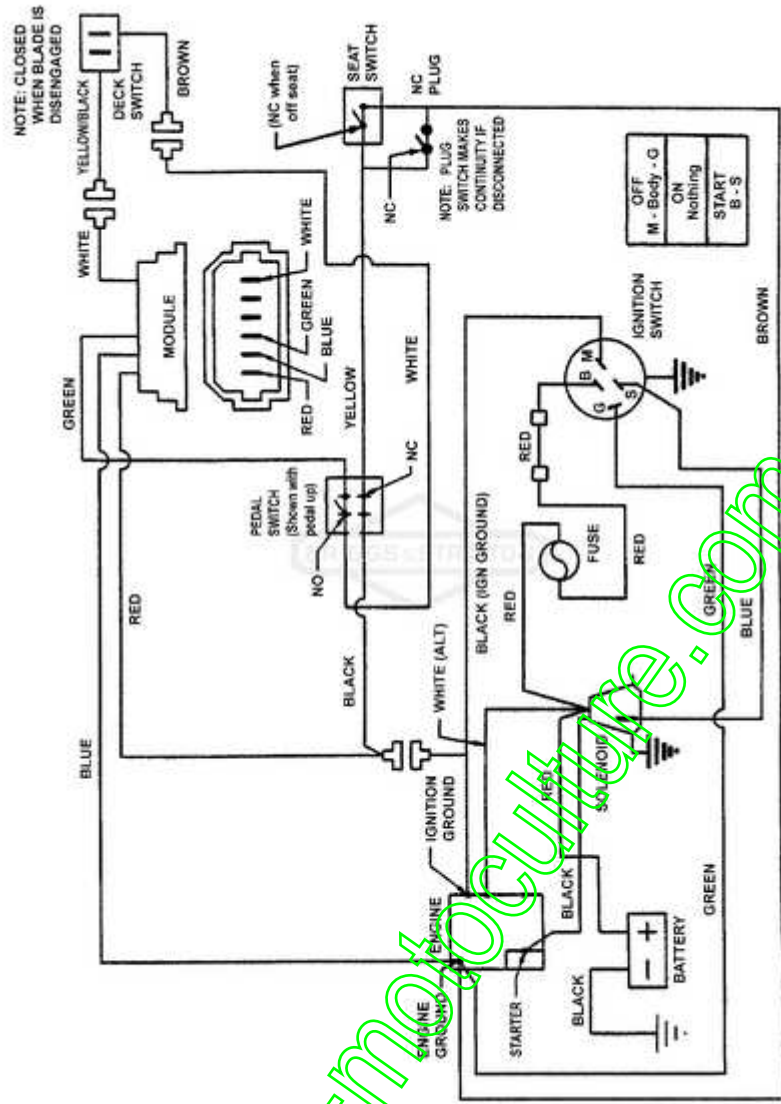


www.emc-motoculture.com

Ref #	Part #	Description	Qty	Context Note	Foot Note
1	7058943	ASSEMBLY, Front Tire & Rim (Complete)	2	(Includes Items 1A, 1C, 3, 4A, & 5)	
1	7058944	ASSEMBLY, Front Tire & Rim (Complete)	2	(Includes Items 1B, 1D, 3, 4D & 5)	
1A	7073563	TIRE, 11 x 4.00-4 (Kenda)	1	(per front tire ass'y.)	
1B	7073564	TIRE, 11 x 4.10-4, (Carlisle)	1	(per front tire ass'y.)	
1C	7017146	RIM, (For 4.10/3.50 x 4 Tire)	1	(per front tire ass'y.)	
1D	7073588	RIM	1	(per front tire ass'y.)	
2	7058951	ASSEMBLY, Rear Tire & Rim	2	(Includes Items 2A, 2C & 3)	
2	7052269	ASSEMBLY, Rear Tire & Rim (25 Models)	2	(Includes Items 2B, 2D & 3)	
2A	7073584	TIRE, 16-6.50 x 8 (28 & 33 Models)	1	(per rear tire ass'y.)	
2B	7023889	TIRE, 16 x 4.80-8 Turf (25 Models)	1	(per rear tire ass'y.)	
2C	7012163	RIM, Extra Wide (For 16/7.50 x 8 Tire)	1	(Was 7017147)	
2D	7017145	RIM (4.80/4.00X8) 3 LUG	1	(per rear tire ass'y.)	
3	7012234	VALVE STEM, Snap In	1		
4A	7014669	* LUBE Fitting, Straight (for 3/16 hole)	1		NOTE* Different size holes used, measure hole for proper fit.
4B	7076998	* LUBE Fitting, Straight (for 1/4 hole)	1		NOTE* Different size holes used, measure hole for proper fit.
4C	7010909	* LUBE Fitting, 90 Degree, Ball Check (for 1/4 hole)	1		NOTE* Different size holes used, measure hole for proper fit.
4D	7104428	* LUBE Fitting, 90 Degree, Ball Check (for 5/16 hole)	1		NOTE* Different size holes used, measure hole for proper fit.
5	7011807	BALL BEARING, Flange (3/4 I.D.)	2		
6	7010935	WASHER, .77 x 1.13 x .06 Flat	3		
7	7091516	COTTER PIN, 5/32 x 1"	1		
8	7011022	HUB CAP	1		
9	7011032	FELT SEAL	1		
10	7031038	CAP, Dust	1		
11	7010821	TUBE, Inner (For 4.10/3.50 x 4 Tire)	1		
12	7091502	BOLT, 1/2-20 x 3/4 Lug, GR 5	3		

Ref #	Part #	Description	Qty	Context Note	Foot Note
13	7023895	HUB CAP, R.H. (1.35 ID x 2.25) (Short Axle)	1		
14	7040434	HUB, Wheel LH, 3 Hole 3/4 ID	1	(per left rear tire ass'y)	
15	7040433	HUB, Wheel RH, 3 Hole 1 ID	1	(per right rear tire ass'y)	
16	7011035	BOLT, 5/16-24 x 1-5/8 Tapered (Left Hand)	1	(per left rear tire ass'y)	
17	7011013	BOLT, 5/16-24 x 2 Tapered (Right Hand)	1	(per right rear tire ass'y)	
18	703459	NUT, 5/16-24, Hex Crown Lock,GR C, Zinc/Clear	1	(was 7011201 (per rear tire ass'y))	
19	7023522	HUB CAP, L. H. (.975 ID x 2.25) (Long Axle)	1	(per left rear tire ass'y)	
20	7012332	CLAMP, Boot, 2"	2	(used on older models)	
21	7011817	SEAL, 1.22 ID x 1.875 OD	1	(used on older models)	
22	7031732	CAP, Seal 1.0 ID x 1.67 OD	1	(used on older models)	
23	7014662	SEAL, OIL .750 ID x 1.832 OD	1	(used on older models)	
24	7014658	CAP, Seal 3/4 ID x 1.875 OD	1	(used on older models)	

www.emc-motoculture.com



Copyright © 2004 by Harley-Davidson. All rights reserved.

www.emc-motoculture.com

Ref #	Part #	Description	Qty	Context Note	Foot Note
--		* Wiring Schematic incl. harness #'s 7022788, 7073715, 7028386 & 7028607			NOTE: * For harness # image & description see: Electrical Group (For 10, 11, 12.5 & 13HP Briggs) page.

www.emc-motoculture.com

www.emc-motoculture.com