



PIÈCES DÉTACHÉES

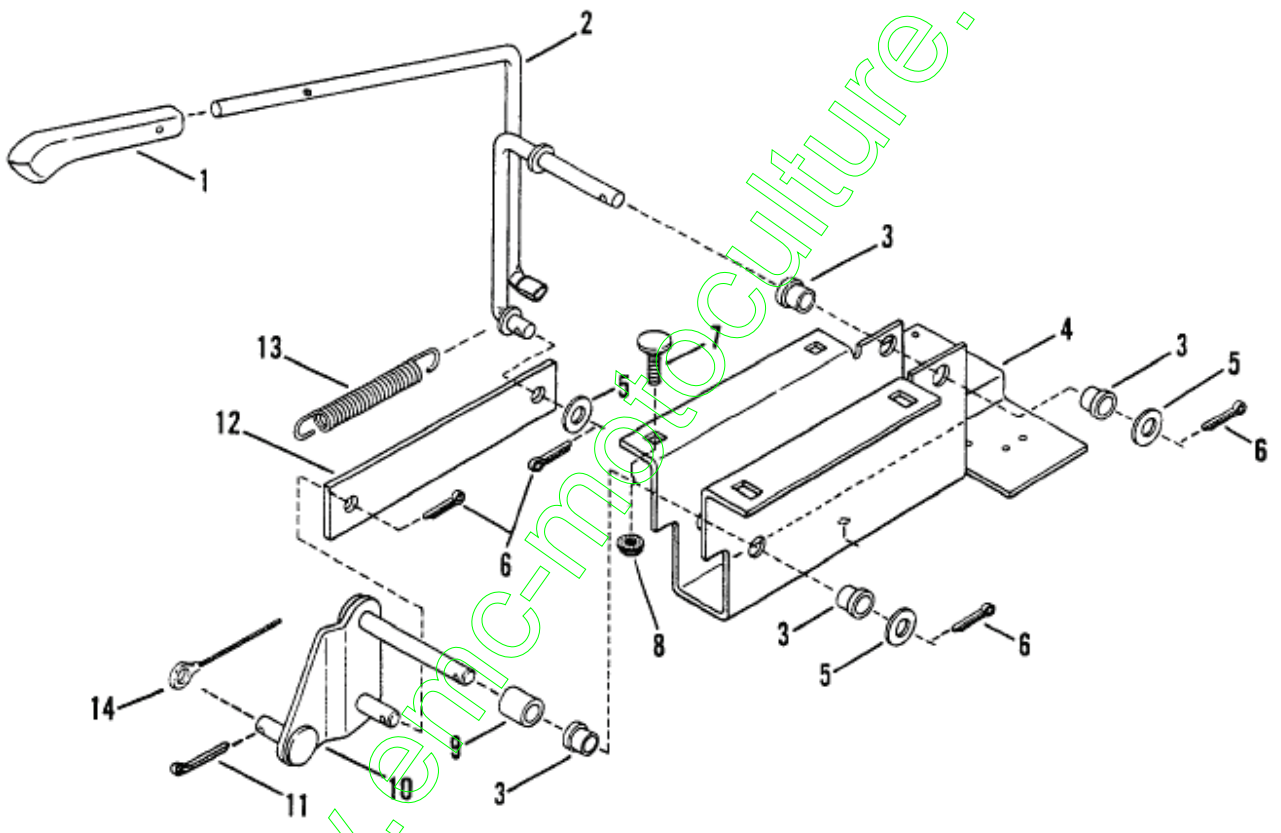
Tondeuse autoportée

ELT125D33 1KV



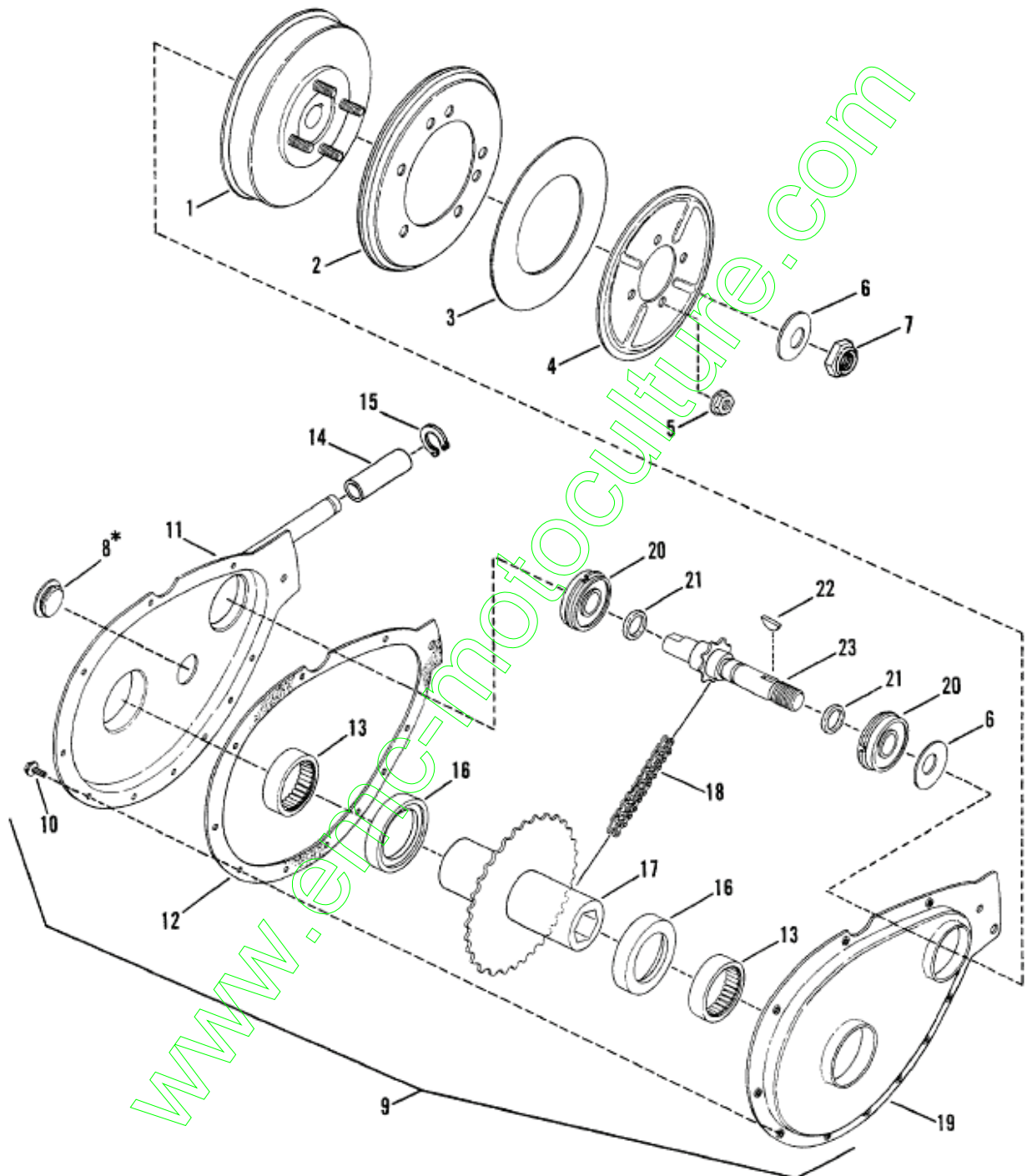
Yvan Béal - 21, av. de l'Agriculture - B.P. 16
Z.I. du Brézet - 63014 Clermont-Ferrand Cedex 2
Tél : 04 73 91 93 51 - Télécopie : 04 73 90 23 11
www.yvanbeal.fr - E-mail : info@yvanbeal.fr
R.C.S. Clermont-Fd B 304 973 886 S.A.S. au capital de 612 000 e

03-001020-090730

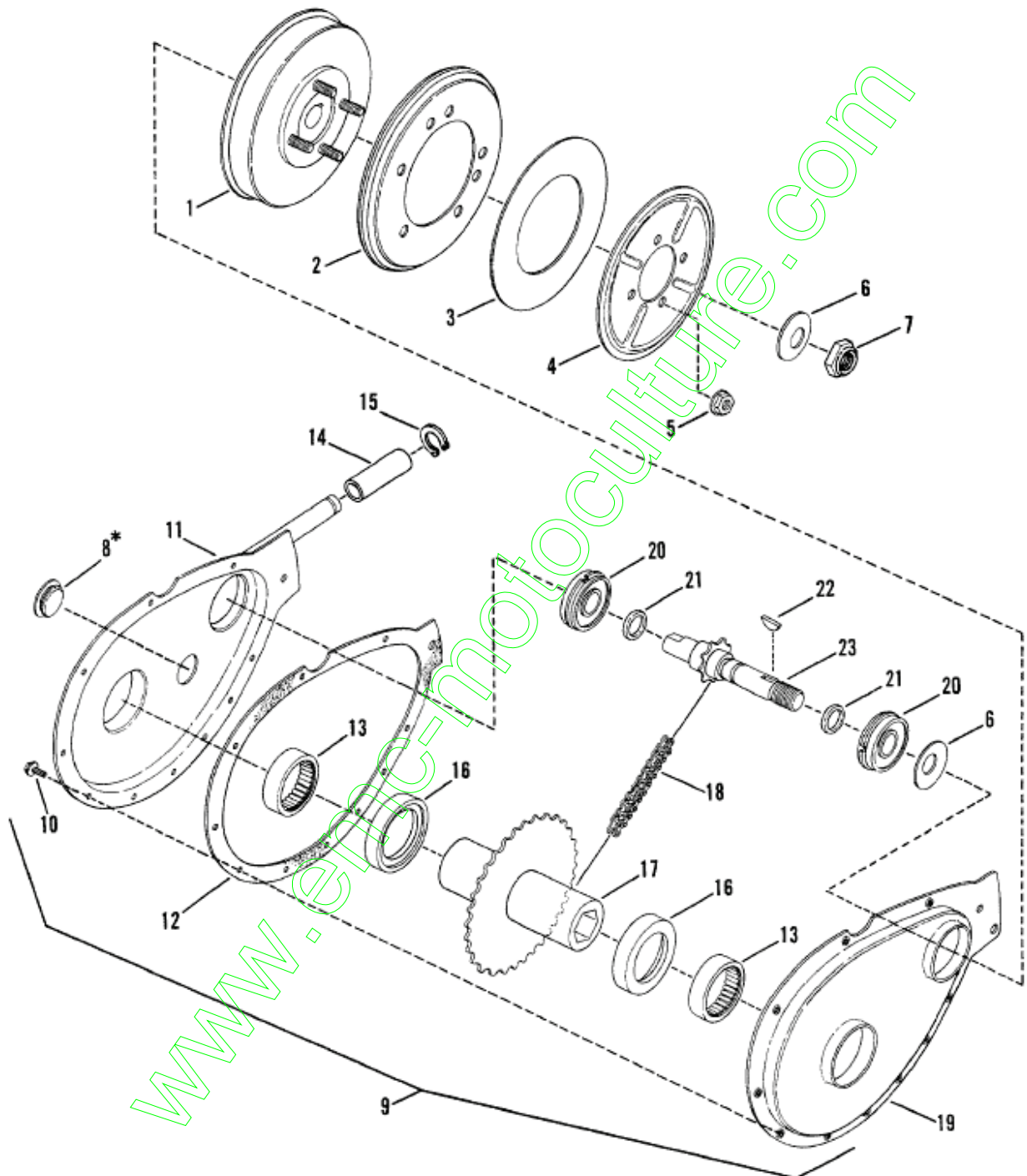


www.enic-nano-culture.com

		Description	Qty	Context Note	Foot Note	UOM
1	7016356	KNOB, Handle				
2		HANDLE, Blade Engagement (No longer available, try using 7040674)		Was 40996		
3	7013321	BUSHING	4			
4	7033364	BRACKET, Handle				
5	7090122	WASHER 3/8 Flat	3			
6	7091597	PIN, 3/32 x 3/4" Cotter	2	Was 90037		
7	7090803	BOLT, 1/4-20 x 5/8" Flat Head Carriage	4			
8	7091584	NUT, 1/4-20 Hex Flange Lock	4	Was 90583		
9	7023206	SPACER				
10	7040570	ASSEMBLY, Pivot Arm				
11	7091313	PIN, 3/32 x 1" Cotter		Was 90038		
12	7032712	LINK				
13	7023165	SPRING, Return				
14	7035434	CABLE, Blade (33" Models) 28.5"		Was 19040		
14	7026194	CABLE, Blade (38" Models) 31.0"				

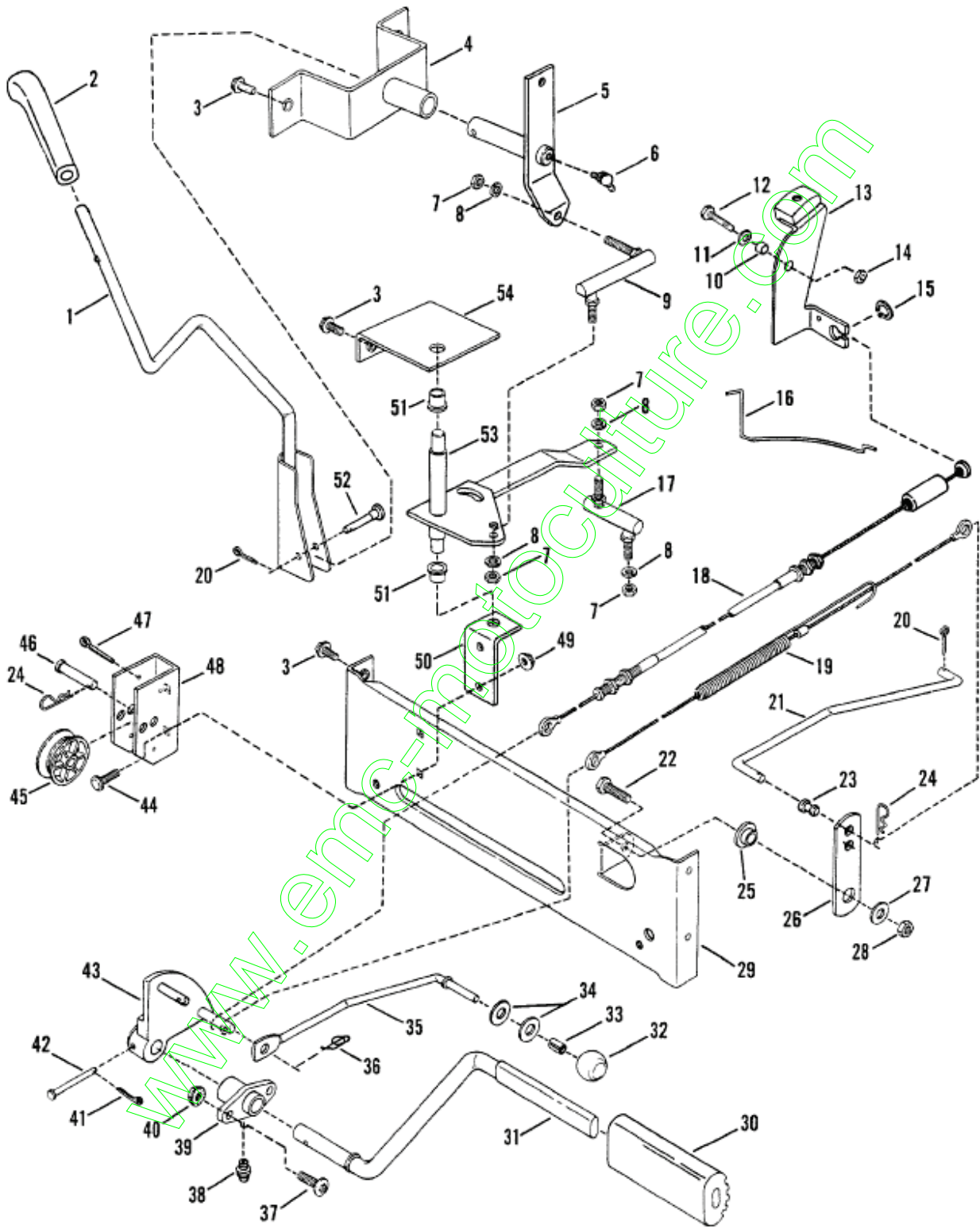


Ref #	Part #	Description	Qty	Context Note	Foot Note	UOM
1	7059443	HUB, Driven Disc		Was 57338		
2	7053103	DISC, Driven				
3	7014523	WASHER, Thrust				
4	7032331	PLATE				
5	7091601	NUT, 5/16-18 Hex Flange Lock	4	Was 90585		
6	7011121	WASHER, Belleville	2			
7	7091006	NUT, 5/8-18 Hex Lock				
8	7011024	PLUG, Oil Fill & Check		Item is not included with Assembly 52683		
9	7052683	ASSEMBLY, Chain Case		(Includes items 10 Thru 23 & 1 ea. item 6)		
10	7090913	SCREW, #10-24 x 1/2" Hex Washer Self-Tap (Torx)	10			
11	7041136	CASE, Sprocket				
12	7028761	GASKET, Case Cover		Was 18059		
13	7010942	BEARING, Needle	2			
14	7022785	ROLLER				
15	7010776	RING, Retaining				
16	7011086	WASHER, Nylon Thrust	2			
17	7040355	ASSEMBLY, Hub & Sprocket				
18	7010941	CHAIN				
19	7039778	COVER, Chain				

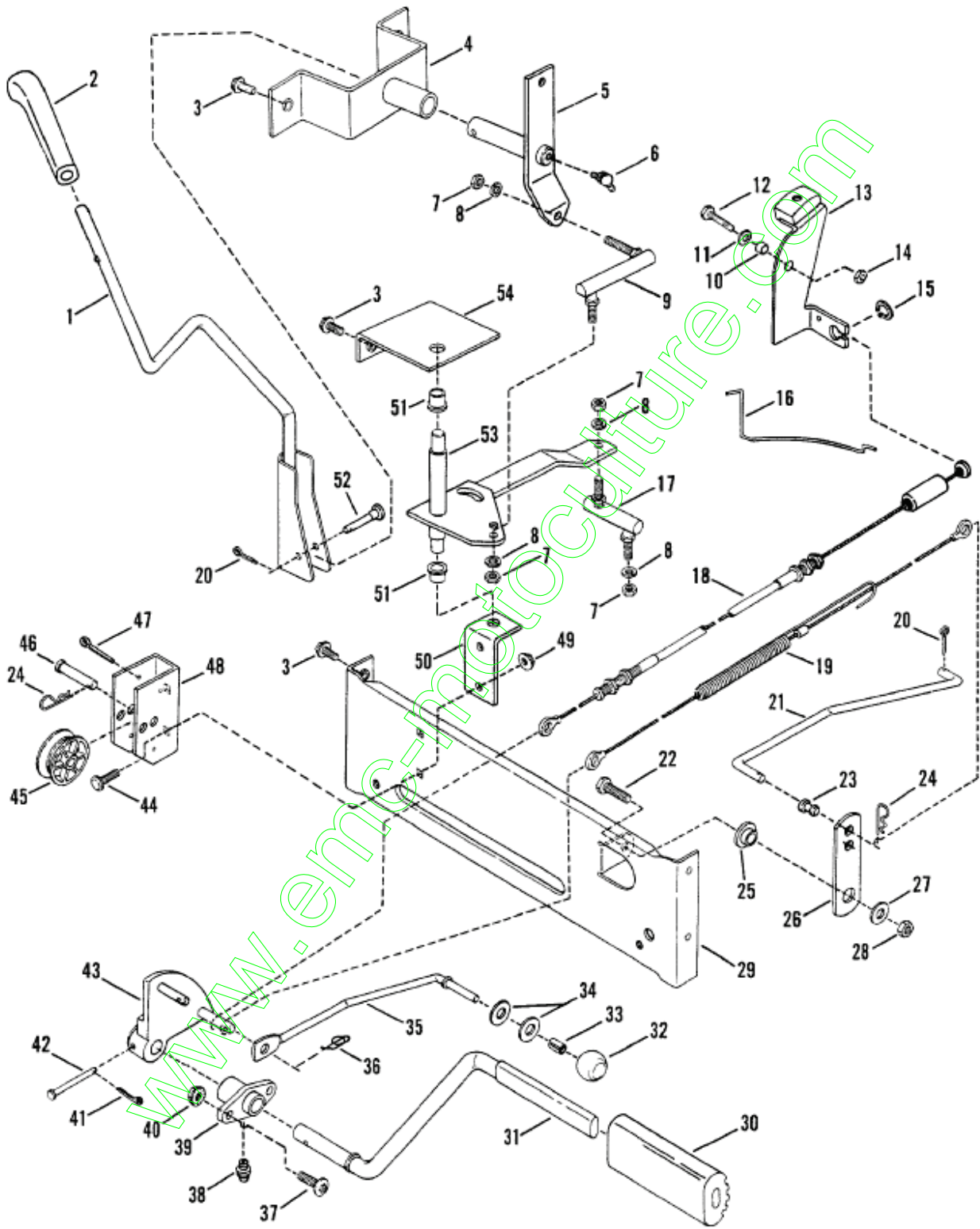


		Case	
20	<u>7010756</u>	BEARING, Ball	2
21	<u>7019260</u>	"O" RING	2
22	<u>7010614</u>	KEY, 1/8 x 5/8" Woodruff	
23	<u>7018963</u>	ASSEMBLY, Sprocket & Shaft	

www.emc-motoculture.com

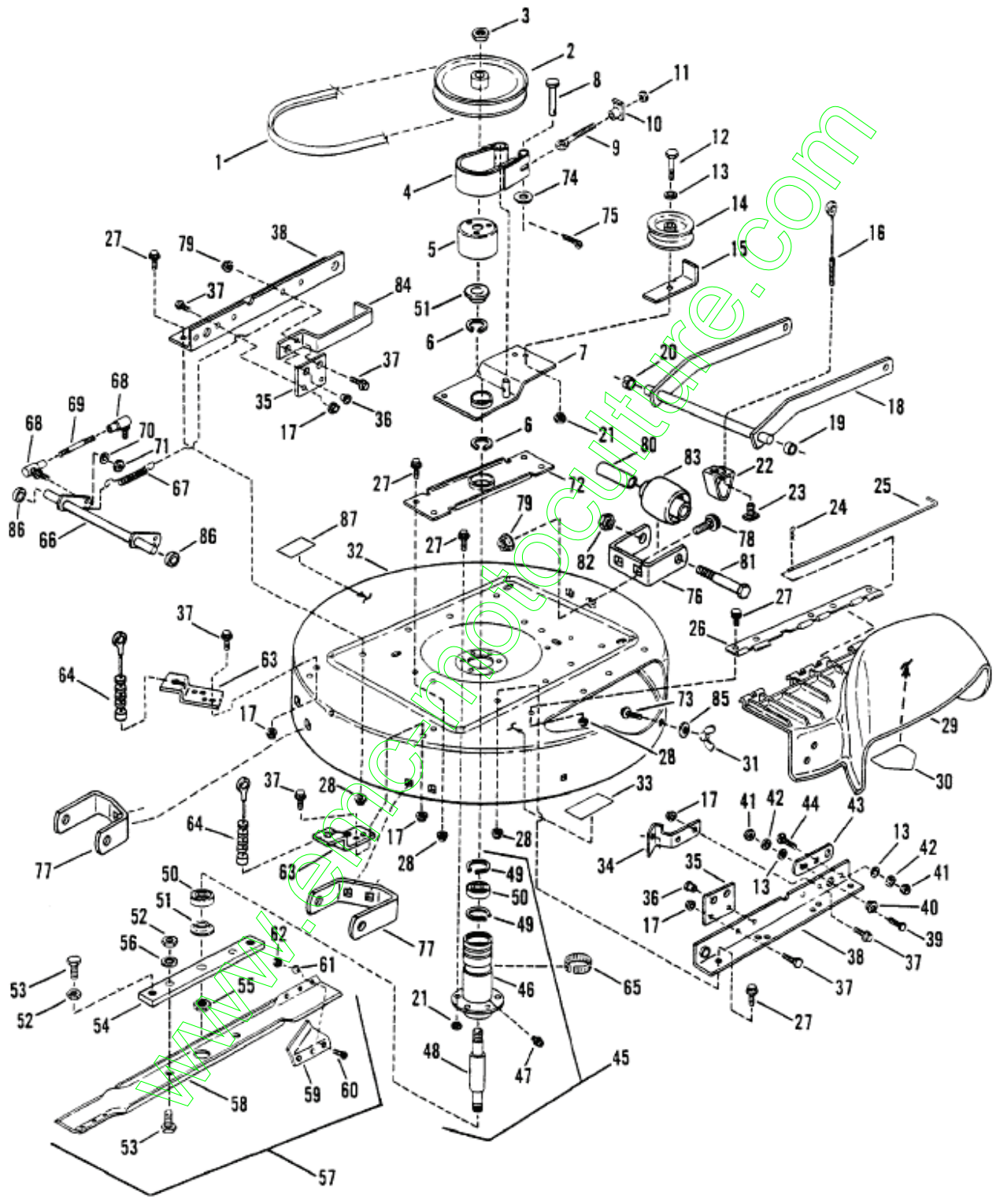


Ref #	Part #	Description	Qty	Context Note	Foot Note	UOM
1	7059443	HUB, Driven Disc		Was 57338		
2	7053103	DISC, Driven				
3	7014523	WASHER, Thrust				
4	7032331	PLATE				
5	7091601	NUT, 5/16-18 Hex Flange Lock	4	Was 90585		
6	7011121	WASHER, Belleville	2			
7	7091006	NUT, 5/8-18 Hex Lock				
8	7011024	PLUG, Oil Fill & Check		Item is not included with Assembly 52683		
9	7052683	ASSEMBLY, Chain Case		(Includes items 10 Thru 23 & 1 ea. item 6)		
10	7090913	SCREW, #10-24 x 1/2" Hex Washer Self-Tap (Torx)	10			
11	7041136	CASE, Sprocket				
12	7028761	GASKET, Case Cover		Was 18059		
13	7010942	BEARING, Needle	2			
14	7022785	ROLLER				
15	7010776	RING, Retaining				
16	7011086	WASHER, Nylon Thrust	2			
17	7040355	ASSEMBLY, Hub & Sprocket				
18	7010941	CHAIN				
19	7039778	COVER, Chain				

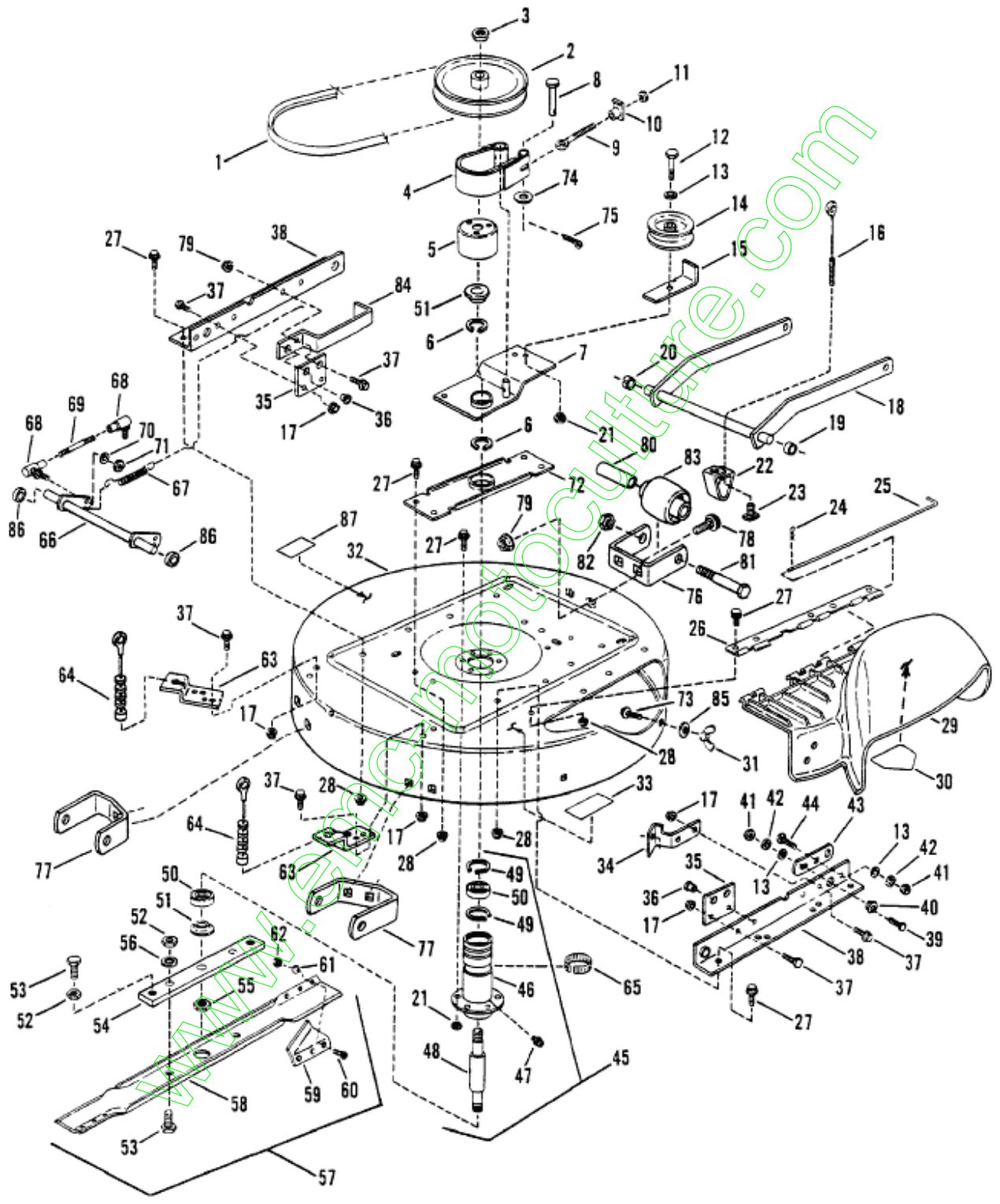


		Case	
20	<u>7010756</u>	BEARING, Ball	2
21	<u>7019260</u>	"O" RING	2
22	<u>7010614</u>	KEY, 1/8 x 5/8" Woodruff	
23	<u>7018963</u>	ASSEMBLY, Sprocket & Shaft	

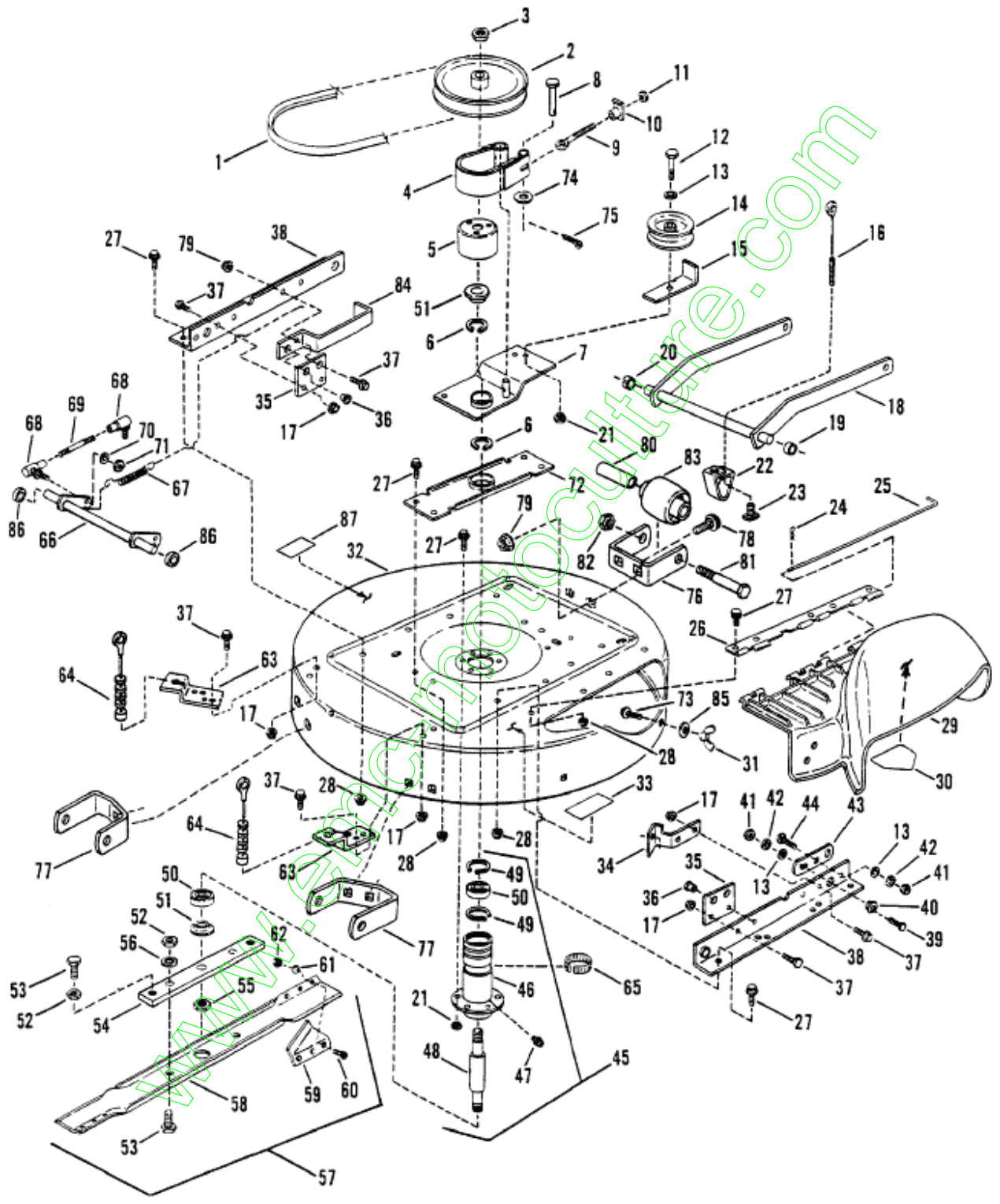
www.emc-motoculture.com



Ref #	Part #	Description	Qty	Context Note	Foot Note	UOM
1	7023710	BELT, 33" Drive Kevlar (A-59 61" OD)				
2	7018581	PULLEY, 8" O.D.				
3	7074467	NUT, 3/4-16 Hex Jam		Was 10027		
4	7052886	BAND, Brake				
5	7032169	DRUM, Brake				
6	7010740	RING, 2" External Retaining	2			
7	7047961	ARM, Idler				
8	7014304	PIN, 1/4 x 1 1/4" Clevis				
9	7014302	BOLT, 1/4-20 Eye				
10	7014303	NUT, 1/4-20 Tee				
11	7091576	NUT, 1/4-20 Hex GR 5 YZ		Was 90063		
12	7090164	SCREW, 3/8-24 x 1 1/2" Hex Head Cap				
13	7090122	WASHER, 3/8" Flat	3			
14	7018574	PULLEY, Idler, 4.12 O.D.				
15	7032368	GUIDE, Belt				
16	7023180	CABLE, Front Lift 6.12"				
17	7091601	NUT, 5/16-18 Hex Flange Lock)	10	Was 90585		
18	7047959	LIFT, Front Arm				
19	7012067	RING, Red				

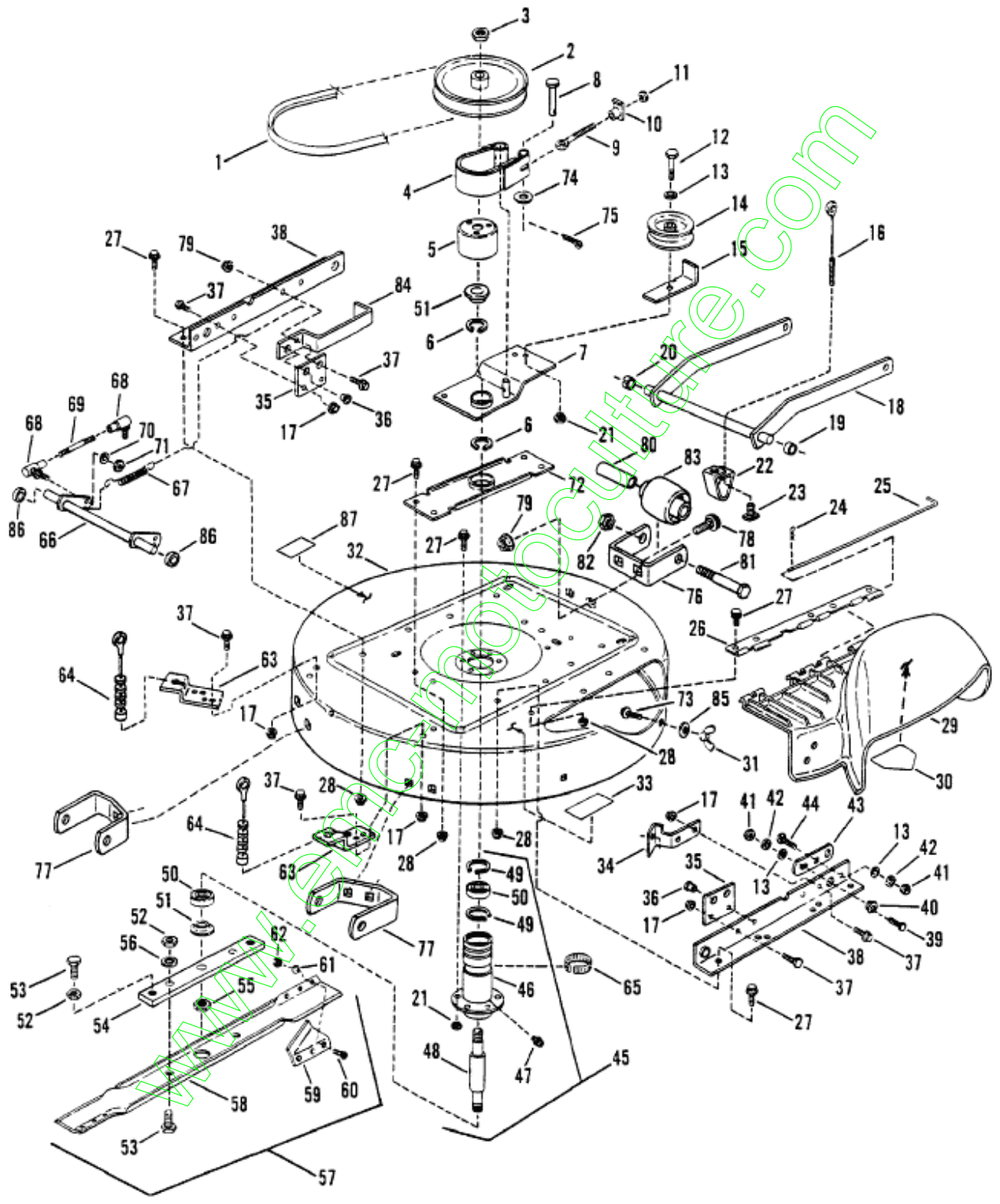


		(Right Side)		
20	7023791	RING, Black (Left Side)(5/8" ID x .44" Wide)		Was 10996
21	7090289	NUT, 3/8-24 Hex Lock	7	
22	7038043	BRACKET, Front Lift Hanger		
23	7090388	T-NUT, 5/16- 18		
24	7091503	PIN, Hair 3/32" x 1.5"		Was 15067
25	7032323	PIN, Hinge		Was 31914
26	7039586	HINGE, Deflector		
27	7091588	BOLT, 3/8-16 x 3/4" Hex Flange Lock)	14	Was 90612
28	7091619	NUT, 3/8-16 Hex Flange Lock	14	Was 90613
29	7052555	ASSEMBLY, Deflector		(Includes item 30)
30	7013010	DECAL, Danger (Cut Finger)		
31	7091537	NUT, 5/16-18 Wing		Was 90492
32	7061972	DECK, Cutting, 33"		Was 51917 or 60978 (Now 61972 + 52555)(Includes items 33 & 87)
33	7014852	DECAL, Caution (Deflector)		
34	7038455	ANCHOR, Brake		
35	7032803	BRACKET, Cross-Shaft	2	
36	7011016	BEARING, Cross-Shaft	2	



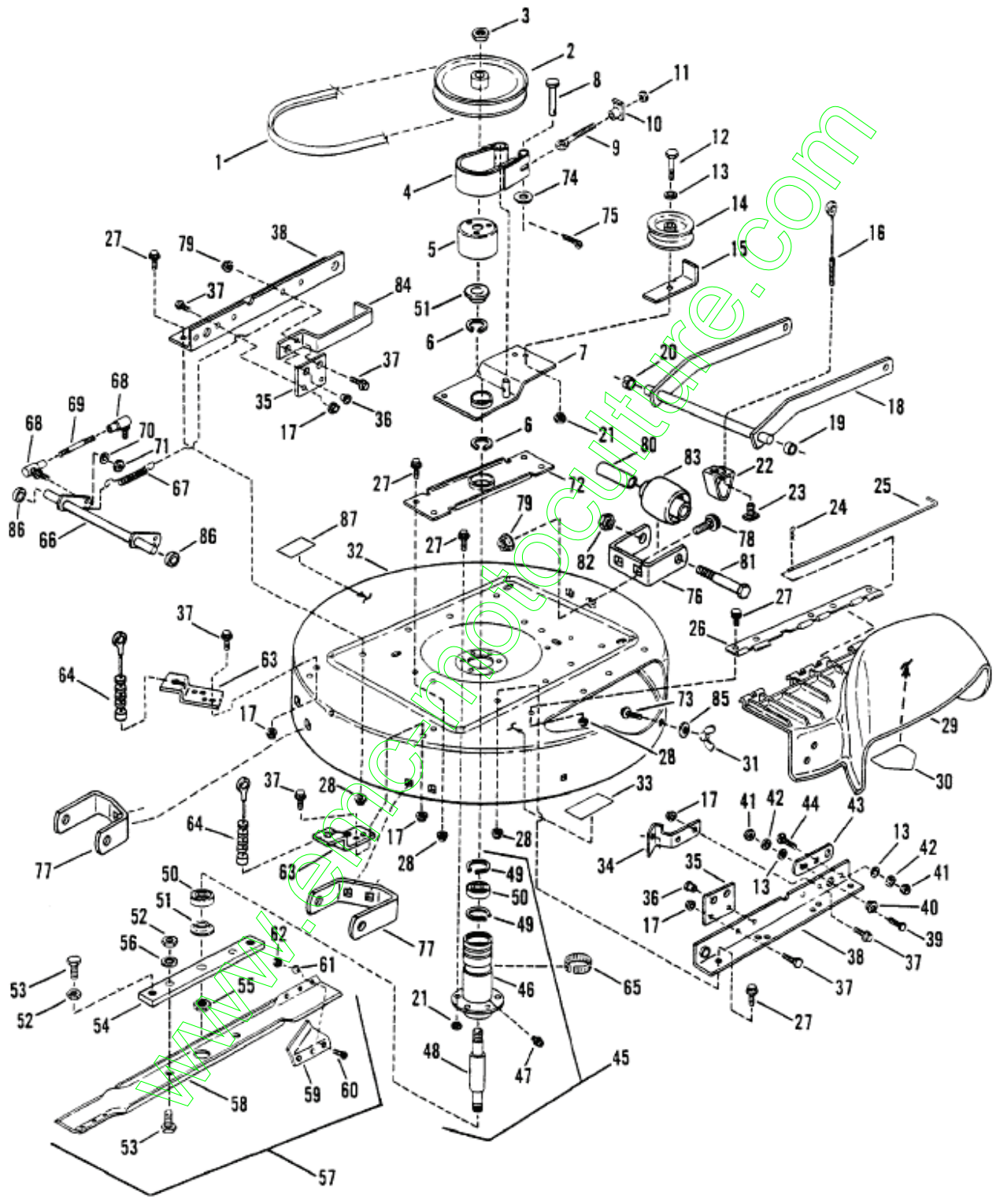
		Bracket			
37	<u>7090721</u>	BOLT, 5/16-18 x 1/2" Hex Flange Lock)	10		
38	<u>7038453</u>	RAIL, Side	2		
39	<u>7091304</u>	SCREW, 3/8-16 x 1" Hex Head Cap		Was 90563	
40	<u>7015012</u>	ECCENTRIC, Leveling			
41	<u>7091302</u>	NUT, 3/8-16 Hex	2	Was 90130	
42	<u>7090118</u>	WASHER, 3/8 Split Lock	2		
43	<u>7032432</u>	LINK, Adjustment			
44	<u>7091547</u>	BOLT, 3/8-16 x 3/4" Carriage		Was 90850	
45	<u>7059784</u>	ASSEMBLY, Spindle		(Includes items 46 thru 55); See "Wheels - Front" for Spindle Parts	
50	<u>7013313</u>	BEARING, Spindle	2		
51	<u>7014407</u>	WASHER, Spindle	2		
52	<u>7090559</u>	NUT, 1/4-20 Hex Jam	4		
46	<u>7052294</u>	HOUSING, Spindle 5.575" Tall		(Includes item 47)	
47	<u>7010817</u>	FITTING, Lube (Press into .187" hole, no ball)			
48	<u>7027711</u>	SPINDLE, 33" Mower Deck 8.26" Long			
49	<u>7012491</u>	RING, Retaining EXT 1.75"	2	(2 in Assembly)	
53	<u>7090392</u>	SCREW, 1/2-20 Hex Head Cap	4	(2 in Assembly)	

www.enclomoto.com

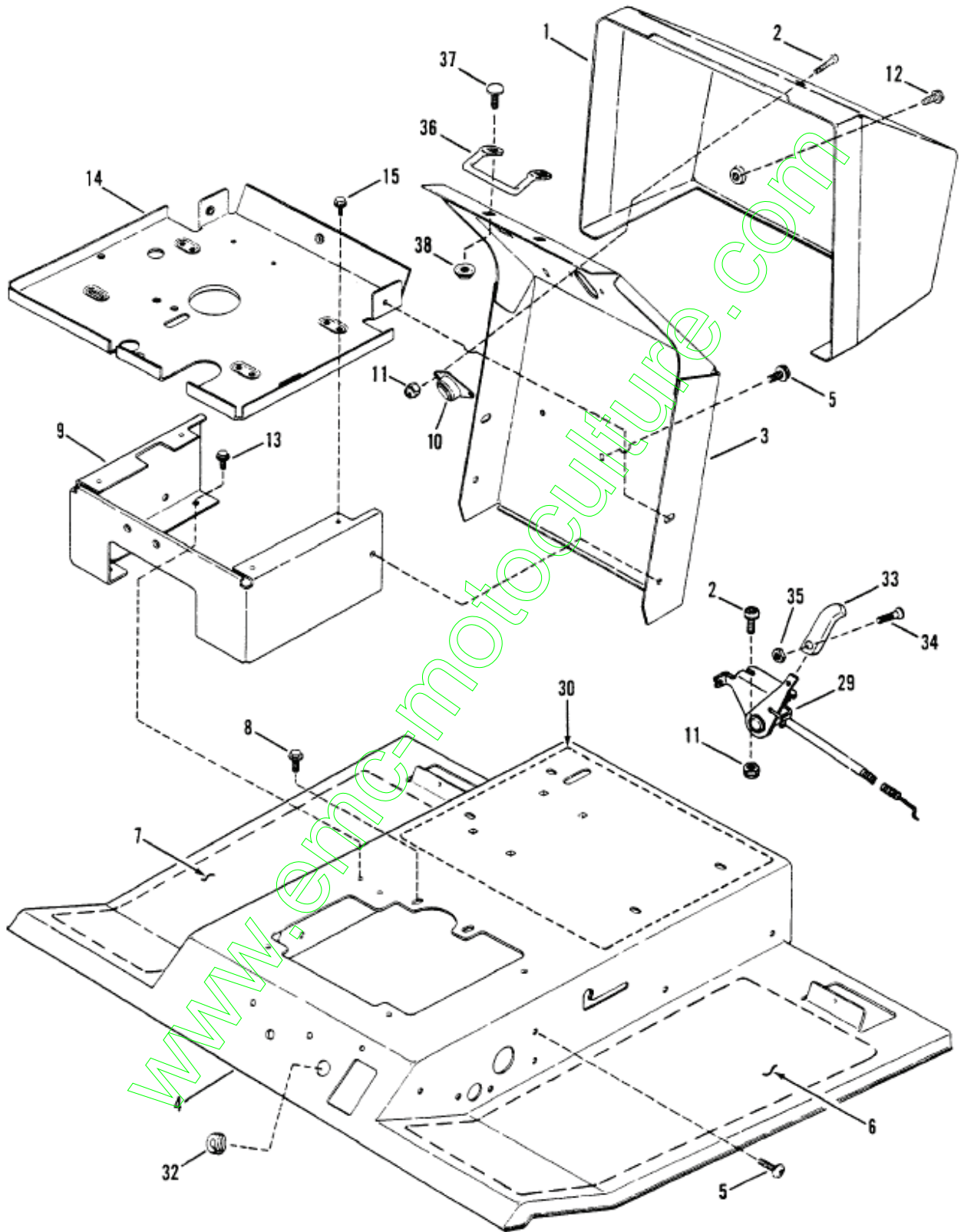


(4)

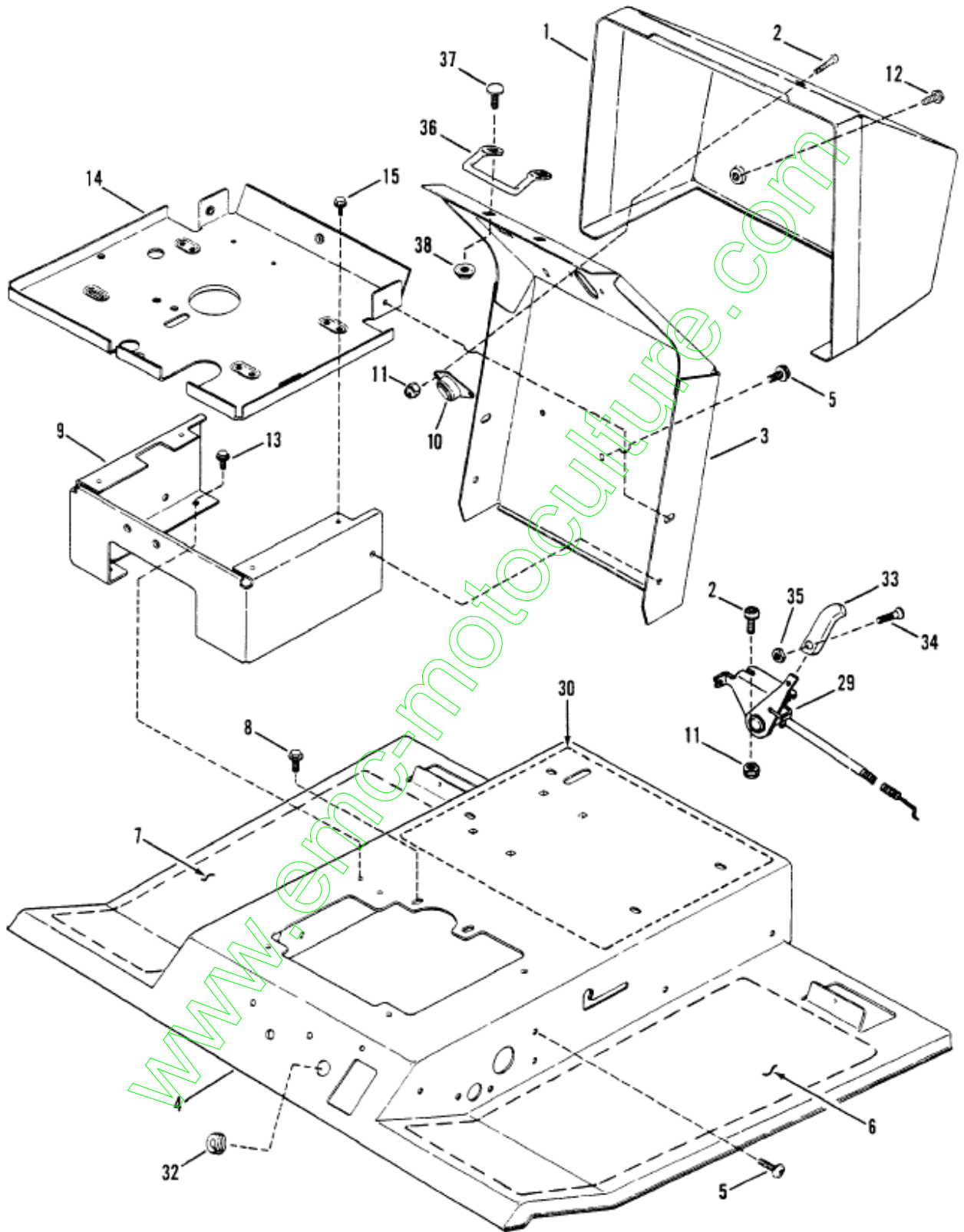
54	<u>7037751</u>	HOLDER, Blade		
55	<u>7090356</u>	NUT, 5/8-18 Hex Lock		
56	<u>7090509</u>	WASHER, 1/2 Int. Tooth Lock	2	
58	<u>7019523</u>	BLADE, 33" Mower Deck	1	
58	<u>7024741</u>	BLADE, 33" Mower Deck Ninja (Mulching) Not shown		(Not Included With This Assembly)
58	<u>7016982</u>	BLADE, 33" Mower Deck (Recycling) Not shown	1	(Not Included With This Assembly)
59	<u>7037723</u>	LIFT, Air	2	
60	<u>7090228</u>	SCREW, 5/16- 24 x 11/16" Machine	6	
61	<u>7090391</u>	WASHER, 5/16 Int. Tooth Lock	2	
62	<u>7091297</u>	NUT, 5/16-24 Hex	6	Was 90223
63	<u>7033115</u>	BRACKET, Rear Lift	2	
64	<u>7016844</u>	CABLE, Support 4.25" 8 Spacers	2	
65	<u>7012670</u>	RING, Tolerance 2.0"		
66	<u>7047960</u>	CROSS- SHAFT		
67	<u>7028652</u>	SPRING		Was 16153
68	<u>7015753</u>	BALL-JOINT	2	
69	<u>7023687</u>	LINK, Ball Joint		
70	<u>7090053</u>	WASHER, 1/4 Int. Tooth Lock	2	



71	7090095	NUT, 1/4-28 Hex	2	
72	7038018	BRACE, Spindle		
73	7091508	BOLT, 5/16-18 x 3/4" Carriage		Was 90001
74	7091294	WASHER .28 x .63 x .065 YZ		Was 90055
75	7091597	PIN, 3/32 x 3/4" Cotter		Was 90037
76	7033570	BRACKET, Gage Wheel (Front)		Was 38451
77	7033571	BRACKET, Gage Wheel (Rear)	2	Was 38450
78	7090731	BOLT, 5/16-18 x 1/2" Short Neck Carriage	6	Was 90004
79	7091601	NUT, 5/16-18 Hex Flange Lock	7	Was 90585
80	7015272	SPACER .625 OD x .423 ID x 3" L	3	
81	7091532	SCREW, 3/8-24 x 3/4" Hex Cap	3	Was 90859
82	7090289	NUT, 3/8-24 Hex Lock	3	
83	7019190	WHEEL, Gage	3	
84	7033352	GUIDE, Belt		
85	7090188	WASHER, 5/16 Flat	2	
86	7020908	SPACER	2	
87	7014852	DECAL, Caution (Rotating blades)	1	Was 16973
	7060993	CUTTER Unit, Assembly 33"		

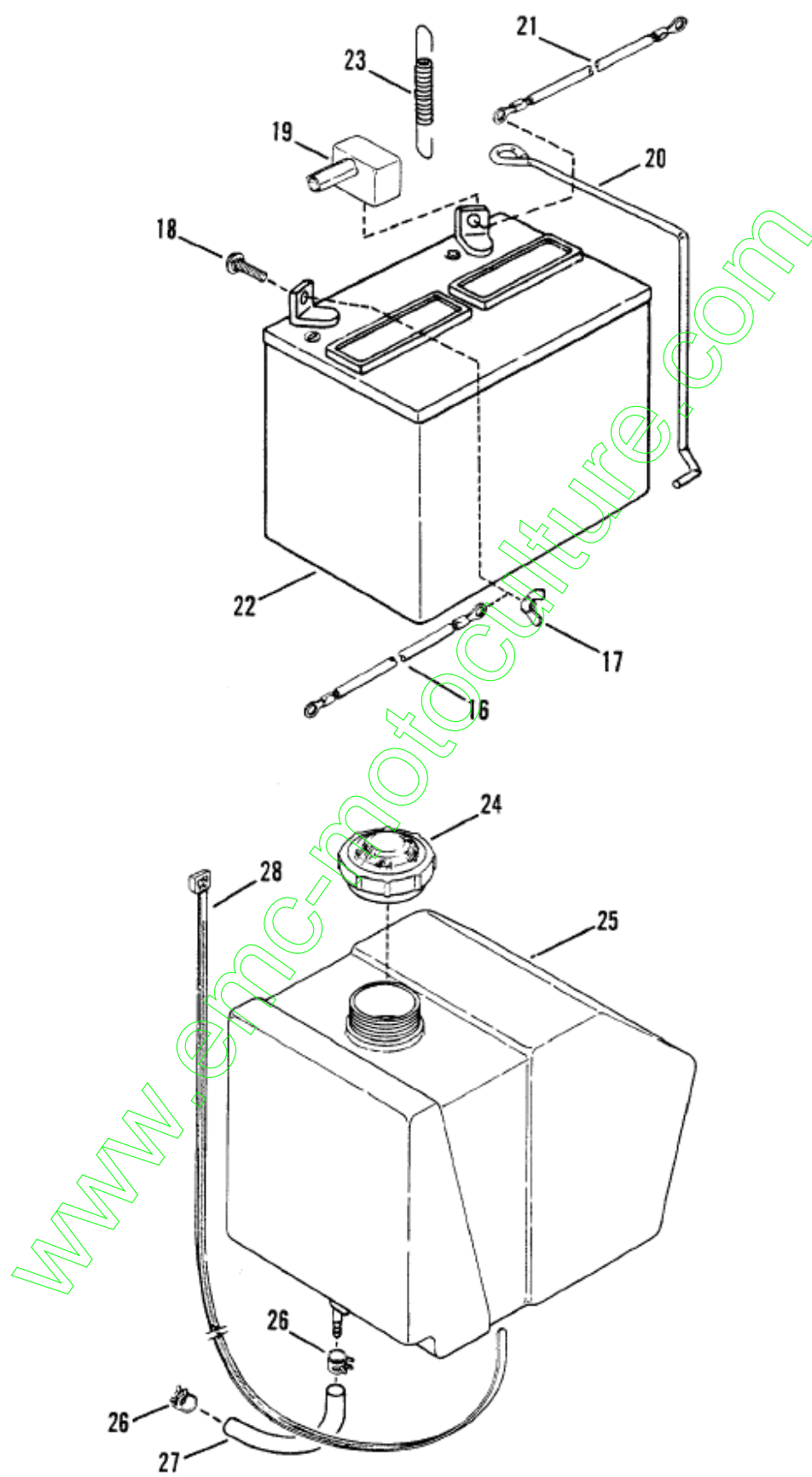


Ref #	Part #	Description	Qty	Context Note	Foot Note	UOM
1	7052997	PANEL, Dash				
2	7090996	SCREW, 1/4-20 x 1" Phillips	4			
3	7040734	SUPPORT, Steering Shaft				
4	7051915	CHANNEL, Foot Rest		(Includes Item 30)		
5	7091000	SCREW, 5/16-18 x 7/8" Self-Tapping	14	Was 91001		
6	7019047	TREAD, Left Side (Non-Skid)				
7	7019046	TREAD, Right Side (Non-Skid)				
8	7090361	SCREW, 5/16-18 x 5/8" Self-Tapping	2			
9	7033073	MOUNT, Fuel Tank/Battery				
10	7026196	ASSEMBLY, Steering Shaft Flange		Was 23173		
11	7076978	NUT, 1/4-20 Hex	4			
12	7090896	SCREW, #10-24 x 1/2" Self-Tapping	2	Was 90853		
13	7090858	SCREW, 5/16-18 x 1/2" Self-Tapping	4			
14	7033078	PLATE, Fuel Tank & Battery Mount				
15	7091122	SCREW, 1/4-20 x 1/2" Self-Tapping	4	Was 90539		
29	7022277	CONTROL, Throttle				
30	7017026	DECAL, Caution & Instruction				
32	7014856	GROMMET, 5/16" I.D. x 1" O.D. Split				
33	7023655	HANDLE, Throttle Control				
34	7091017	SCREW, #8-32 x 3/8" Fillister Head				



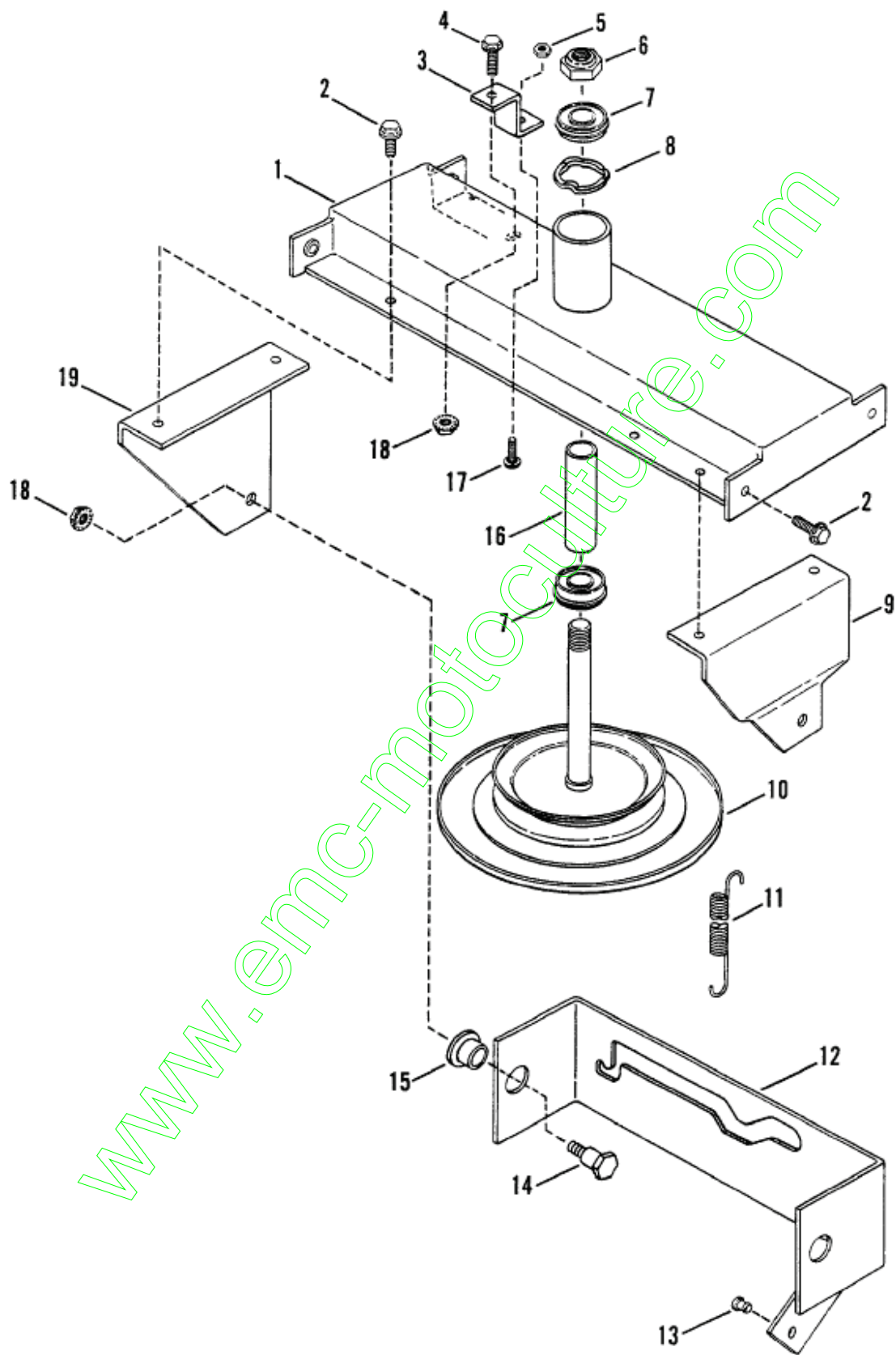
35	<u>7091018</u>	NUT, #8-32 Hex		
36	<u>7017345</u>	ROD, Hood Latch		
37	<u>7090803</u>	BOLT, 1/4-20 x 5/8" Flat Head Carriage	6	
38	<u>7091584</u>	NUT, 1/4-20 Hex Flange Lock	6	Was 90583

www.emc-motoculture.com



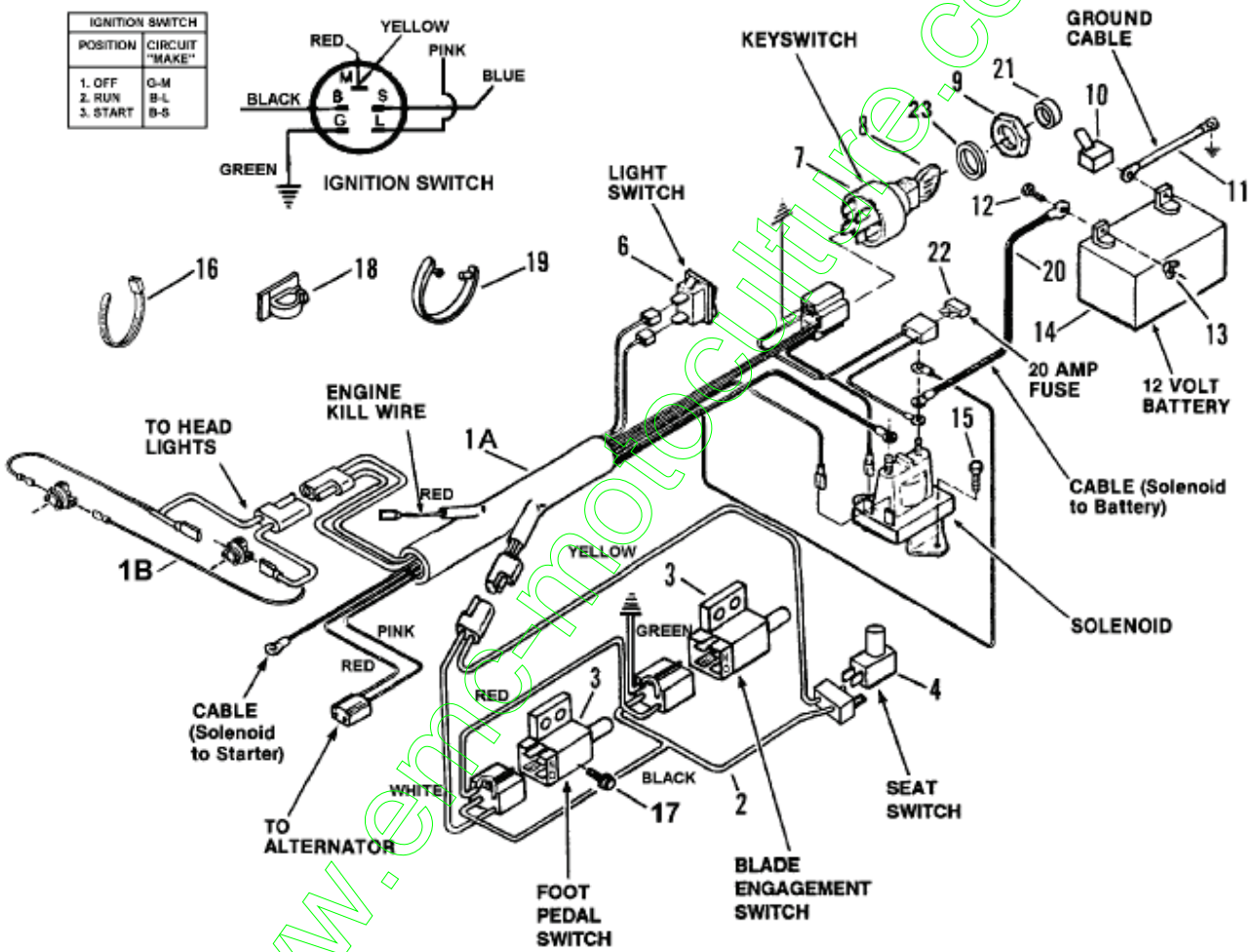
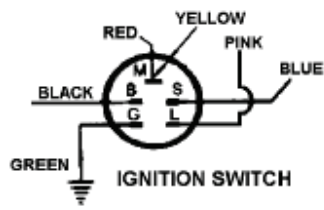
Ref #	Part #	Description	Qty	Context Note	Foot Note	UOM
16	7014475	CABLE, Negative Terminal				
17	7091568	NUT, 1/4-20 Wing	2	Was 90311		
18	7091530	BOLT, 1/4-20 x 3/4" Short Neck Carriage	2	Was 90074		
19	7012444	COVER, Positive Terminal				
20	7022366	CLAMP, Battery				
21	7014476	CABLE, Positive Terminal				
22	7060618	KIT, Battery (12 Volt)				
23	7022696	SPRING, Battery Bracket				
24	7012515	CAP, Fuel Tank		Was 17808		
25	7052258	TANK, Fuel		(Includes Item 24)		
26	7029900	CLAMP, Fuel Line	2	Was 12222		
27	7073240	LINE, Fuel (5" Long)		Was 32038		
28	7023195	TIE, Cable (Fuel Tank Hold Down)				

www.emc-motoculture.com



Ref #	Part #	Description	Qty	Context Note	Foot Note	UOM
1	7049764	SUPPORT ASSEMBLY, Disc Drive				
2	7090858	SCREW, 5/16-18 x 1/2" Self-Tapping	8			
3	7051958	ASSEMBLY, Yoke Stop				
4	7090595	BOLT, 5/16-18 x 3/4" Hex Flange Lock				
5	7090197	NUT, 5/16-18 Hex Jam				
6	7091006	NUT, 5/8-18 Hex Lock				
7	7010756	BEARING	2			
8	7016233	WASHER, Wave				
9	7038385	BRACKET, Yoke Pivot (Left Hand)				
10	7017021	ASSEMBLY, Disc Drive				
11	7014659	SPRING				
12	7041131	YOKE, Clutch				
13	7016353	BEARING, Nyliner				
14	7014664	BOLT, 5/16-18 x 1- 5/16" Shoulder	2			
15	7013321	BEARING, Yoke	2			
16	7022074	SPACER				
17	7090192	BOLT, 5/16-18 x 1- 1/2" Carriage				
18	7091601	NUT, 5/16-18 Hex Flange Lock	2	Was 90585		
19	7038384	BRACKET, Yoke Pivot, R.H.				

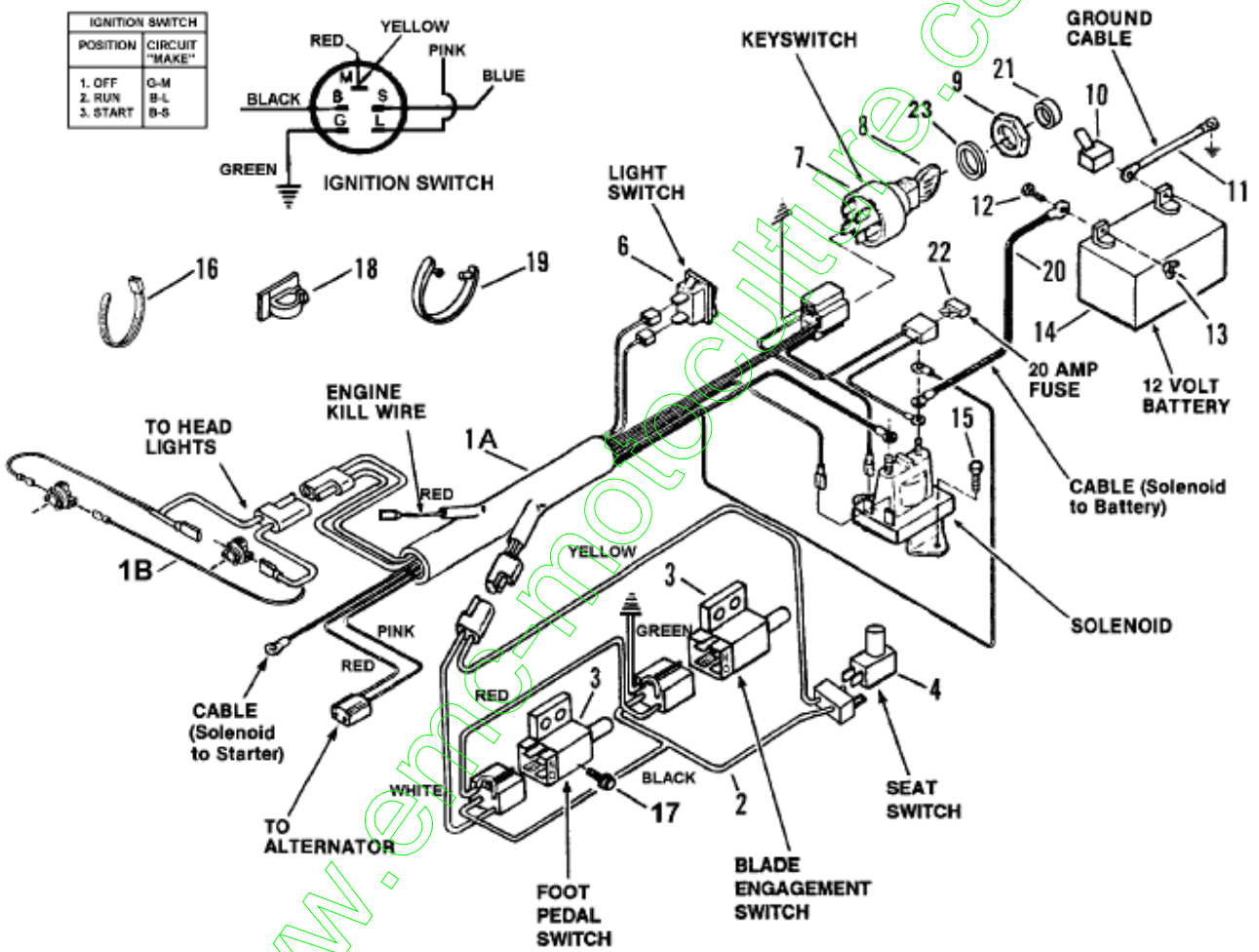
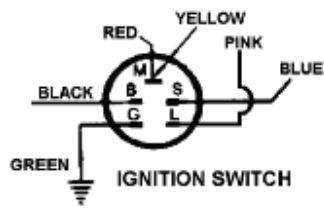
IGNITION SWITCH	
POSITION	CIRCUIT "MAKE"
1. OFF	O-M
2. RUN	B-L
3. START	B-S



www.EngineeringBooksPdf.com

Ref #	Part #	Description	Qty	Context Note	Foot Note	UOM
1A	7017025	HARNESS, Wiring (B.& S.)				
1B	7026171	HARNESS, Light				
2	7024126	HARNESS, Interlock				
3	7023355	SWITCH, Clutch & PTO	2			
4	7023354	SWITCH, Seat NC		Was 17590,		
5	7075622	SOLENOID		Was 18604		
6	7023187	SWITCH, Light				
7	7027698	SWITCH, Key		Was 18562		
8	7073406	KEY, Switch (With Cover)	2	Was 23504		
9	7023505	NUT, 5/8-32 Hex				
10	7012444	COVER, Positive Terminal				
11	7014475	CABLE, Negative 15"				
12	7091530	BOLT, 1/4-20x3/4" Carriage	2	Was 90074		
13	7091568	WING NUT, 1/4-20	2	Was 90311		
14	7060618	KIT, Battery				
15	7091122	SCREW, 1/4- 20x1/2" Self- Tapping		Was 90539		
16	7014451	TIE, Wire	2			
17	7090913	SCREW, #10-24 x 1/2" Hex Washer Self-Tap (Torx)		Was 90307		
18	7012691	CLIP				
19	7012080	TIE, Cable 7"	2			

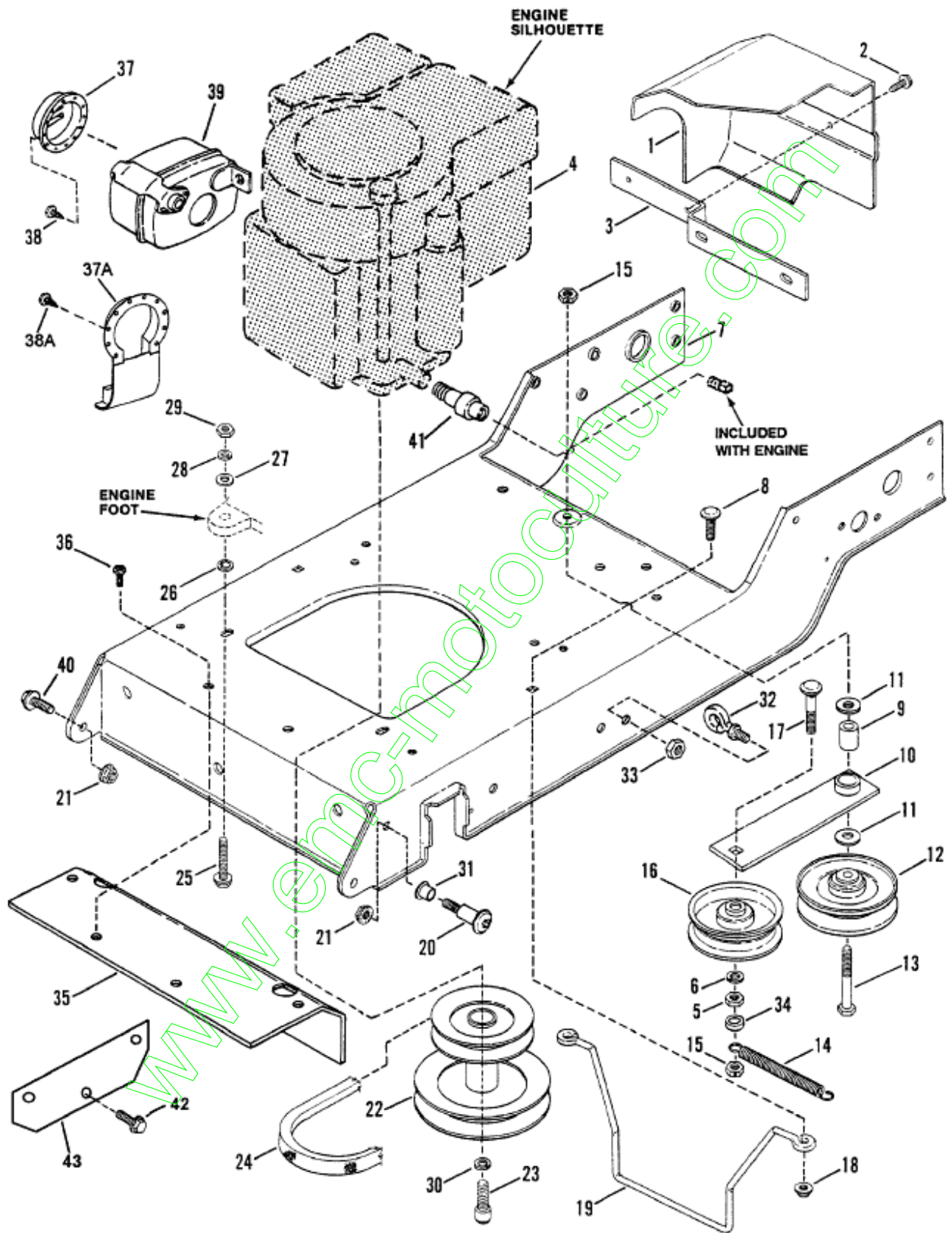
IGNITION SWITCH	
POSITION	CIRCUIT "MAKE"
1. OFF	O-M
2. RUN	B-L
3. START	B-S



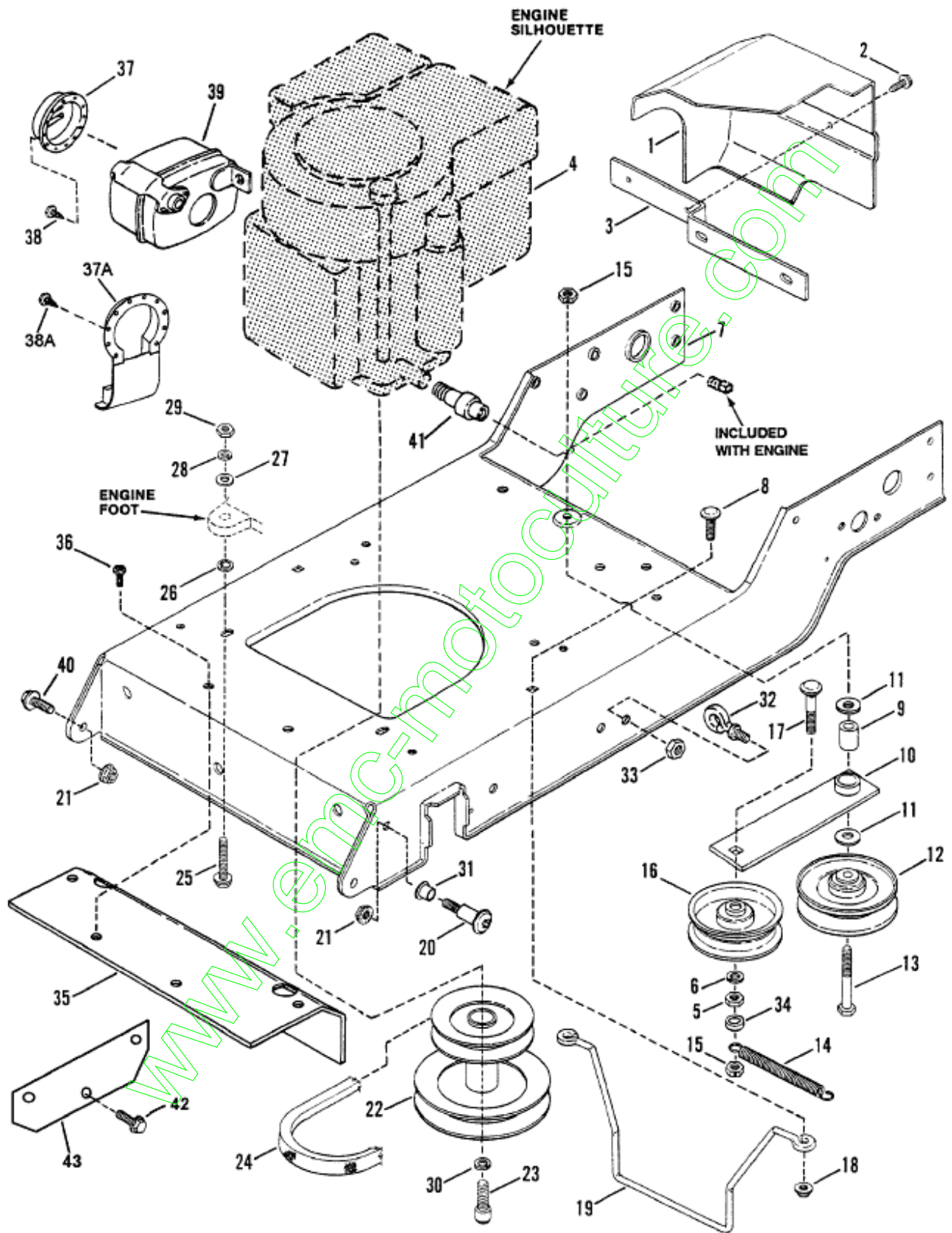
www.EngineeringBooksPdf.com

20	7014476	CABLE, Positive 11"
21	7023506	BEZEL
22	7023653	FUSE, 20 Amp
23	7016132	SPACER, 5/8 Flat

www.emc-motoculture.com

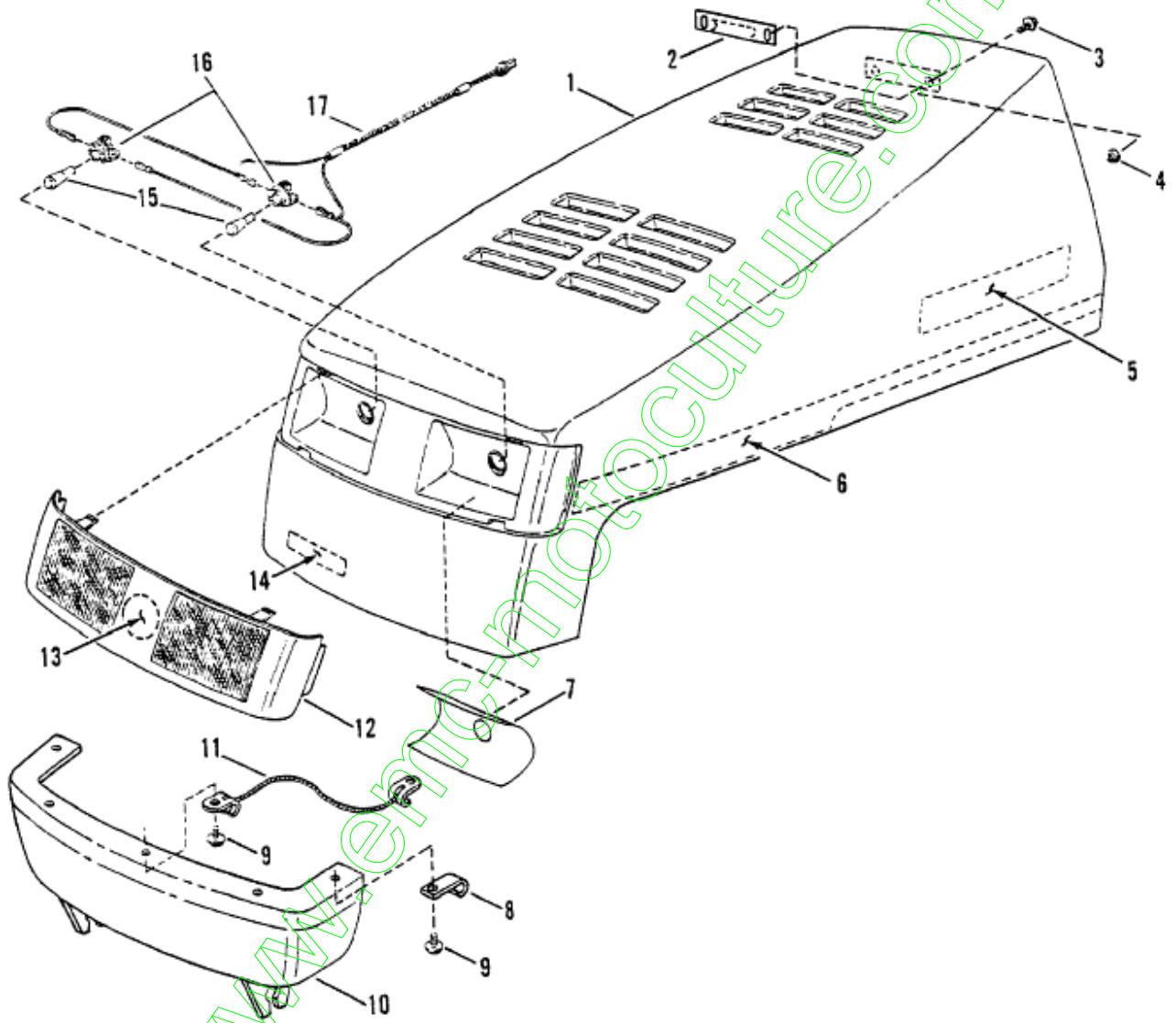


Ref #	Part #	Description	Qty	Context Note	Foot Note	UOM
1	<u>7017022</u>	SHIELD, Heat				
2	<u>7090896</u>	SCREW, #10-24 x 1/2" Self-Tapping	2	Was 90853		
3	<u>7033535</u>	BRACKET, Heat Shield				
4		* ENGINE, Briggs & Stratton 12HP			Note: * Purchase engine parts from engine manufacturer dealer.	
5	<u>7091302</u>	NUT, 3/8-16 Hex		Was 90130		
6	<u>7090118</u>	WASHER, 3/8 Split	2			
7	<u>7033088</u>	BASE, Engine				
8	<u>7091508</u>	BOLT, 5/16-18 x 3/4" Short Neck Carriage	2	Was 90788		
9	<u>7044752</u>	BUSHING, Idler		Was 22062		
10	<u>7040565</u>	ARM, Idler				
11	<u>7090517</u>	WASHER, 3/8" Flat	2	Was 90600		
12	<u>7011029</u>	PULLEY, Idler (4" O.D.)				
13	<u>7090629</u>	SCREW, 3/8-16 x 2-1/4" Hex Head Cap				
14	<u>7027856</u>	SPRING, Idler Arm		Was 17807		
15	<u>7091585</u>	NUT, 3/8-16 Hex Center Lock	2	Was 90546		
16	<u>7023199</u>	PULLEY, Idler (3-3/4" O.D.)				
17	<u>7091008</u>	BOLT, 3/8-16 x 2-1/2" Short				



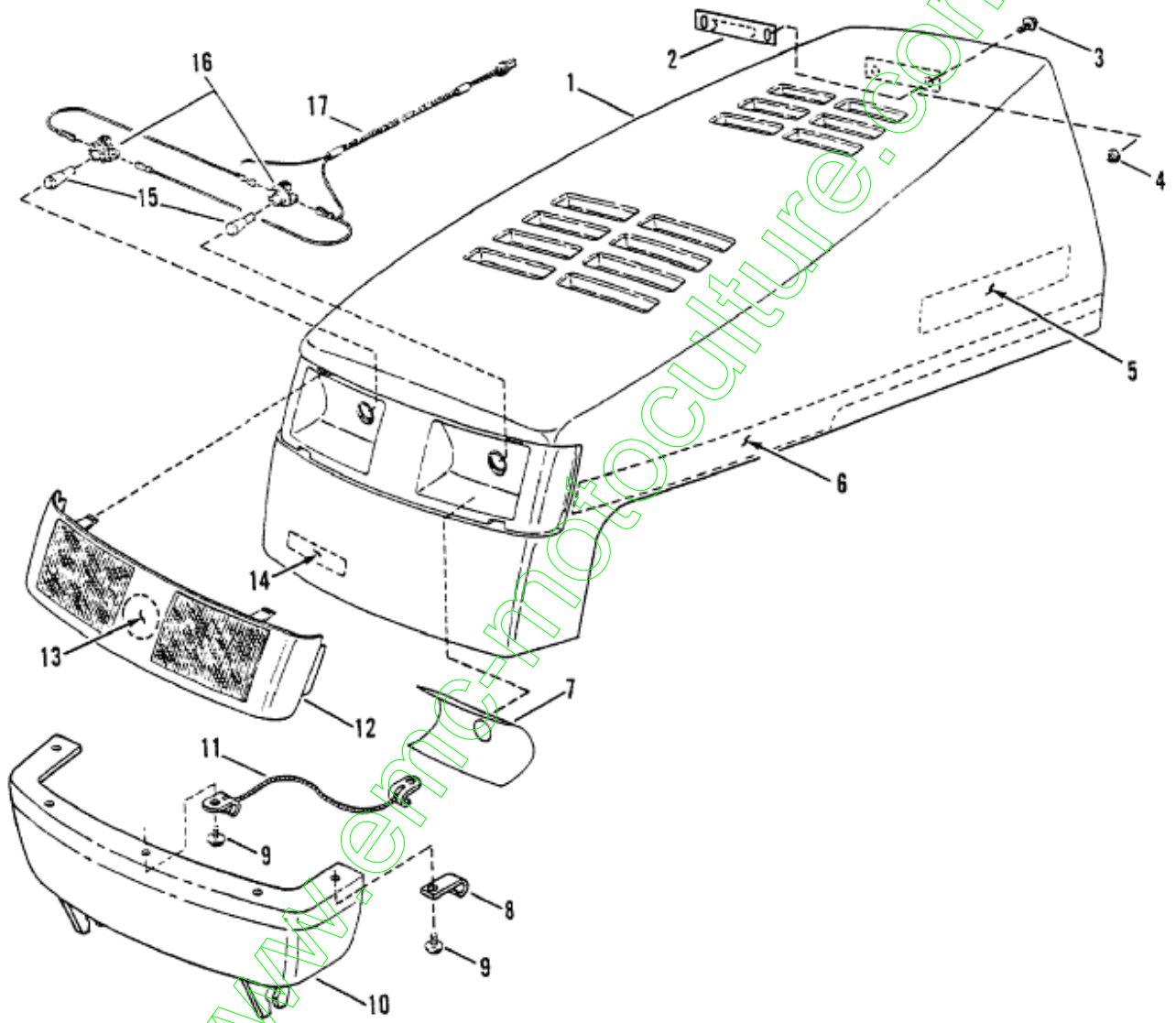
		Head (Torx)	
37	<u>7019257</u>	DEFLECTOR, Exhaust	
37A	<u>7041537</u>	DEFLECTOR, Exhaust	
38	<u>7023023</u>	SCREW, #8-18 x 3/8" Hex Head (Tapered)	4
38A	<u>7091581</u>	SCREW, #8-18 x 1/2" Hex Head (Tapered)	4
39	<u>7041824</u>	ASSEMBLY, Muffler	Was 52691 (Includes 37 & 38)
40	<u>7090721</u>	BOLT, 5/16- 18x 1/2" Hex Flange Lock	
41	<u>7022486</u>	EXTENSION, Oil Drain	
42	<u>90186</u>	SCREW, HHC 3/8-16x3/4	2
43	<u>7026281</u>	BRACKET, Hood Kit	2 (Put #20 in two top holes)

www.emc-moloculture.com



www.electricmotorculture.com

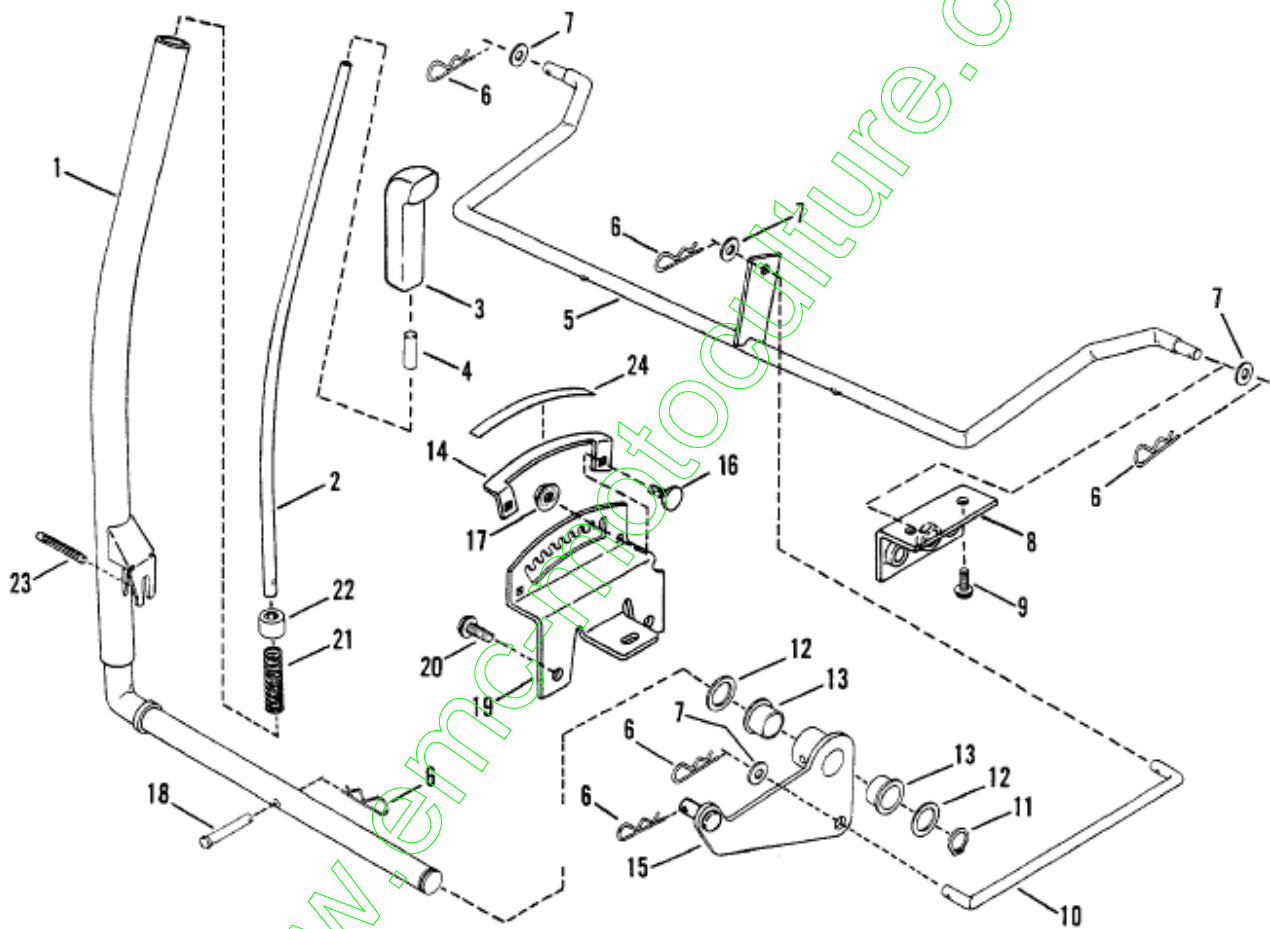
Ref #	Part #	Description	Qty	Context Note	Foot Note	UOM
1	7063298	HOOD		Was 24605		
2	7024718	LATCH, Spring				
3	7090999	SCREW, 1/4-20 x 5/8" Truss Head (Torx)				
4	7076978	NUT, 1/4-20 Hex Nyloc	2			
5	7024980	DECAL, SNAPPER 8" Molded Logo				
6	7024963	DECAL, Hood, (Right Side) (33" Models)				
6	7024964	DECAL, Hood, (Left Side) (33" Models)				
7	7017174	DECAL, Lens (Right Side)				
7	7017175	DECAL, Lens (Left Side)				
8	7026482	CLIP "J"				
9	7091106	SCREW, M4.8 x 1.59 x 16mm Special	5			
10	7029620	BUMPER, Front				
11	7026114	LANYARD, Hood				
12	7024893	LENS, Clear				
13	7024982	DECAL, Molded Medallion, Convertible Mower				
14	7024979	DECAL, SNAPPER, 4" Molded Logo				
15	7026172	BULB, Headlights	2			
16	7024709	SOCKET, Headlight Bulb	2			
17	7026171	HARNESS,				



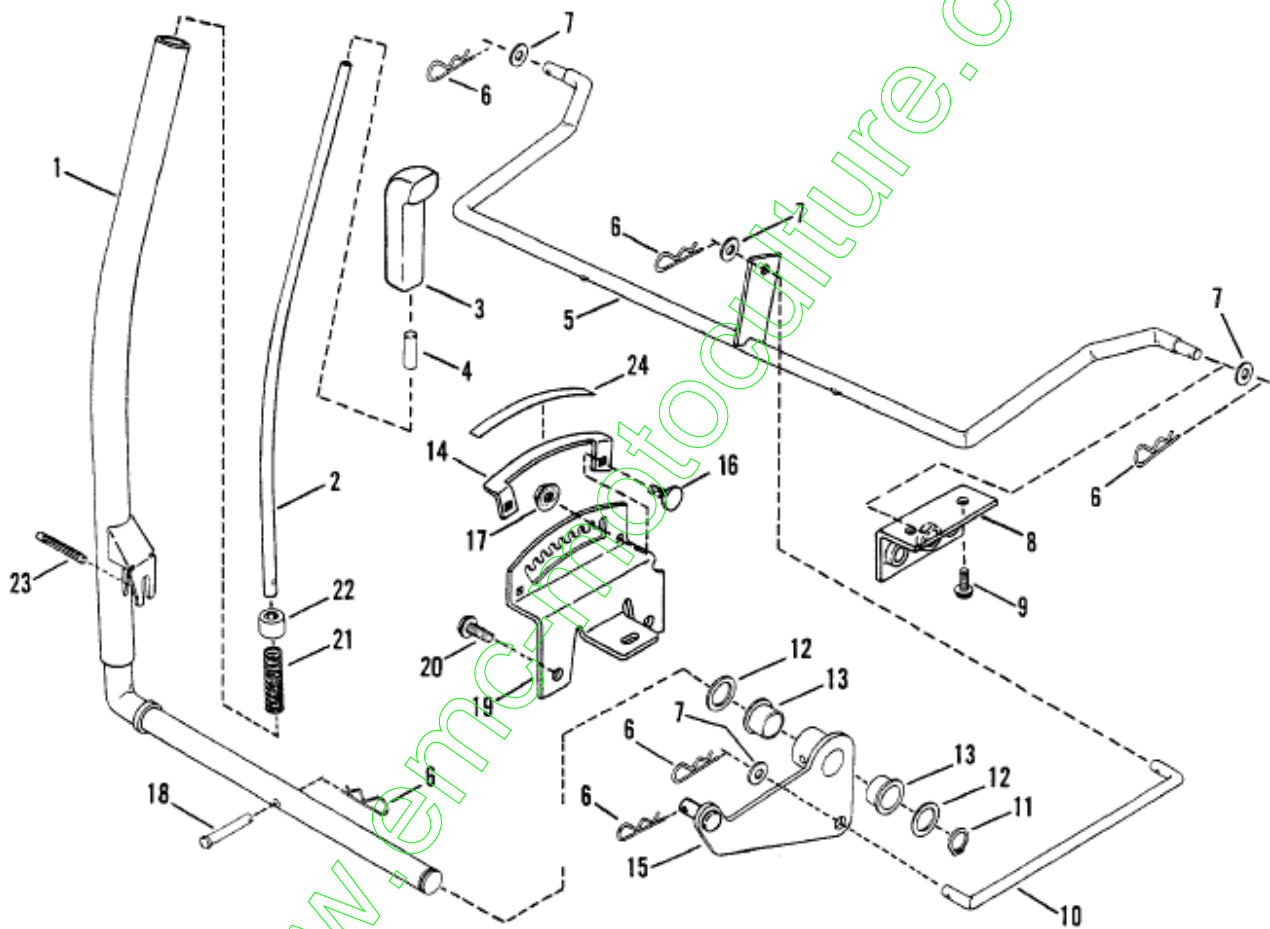
Headlight Wiring
7063298 KIT, Hood
Replacement

Was 61383

www.emc-motoculture.com

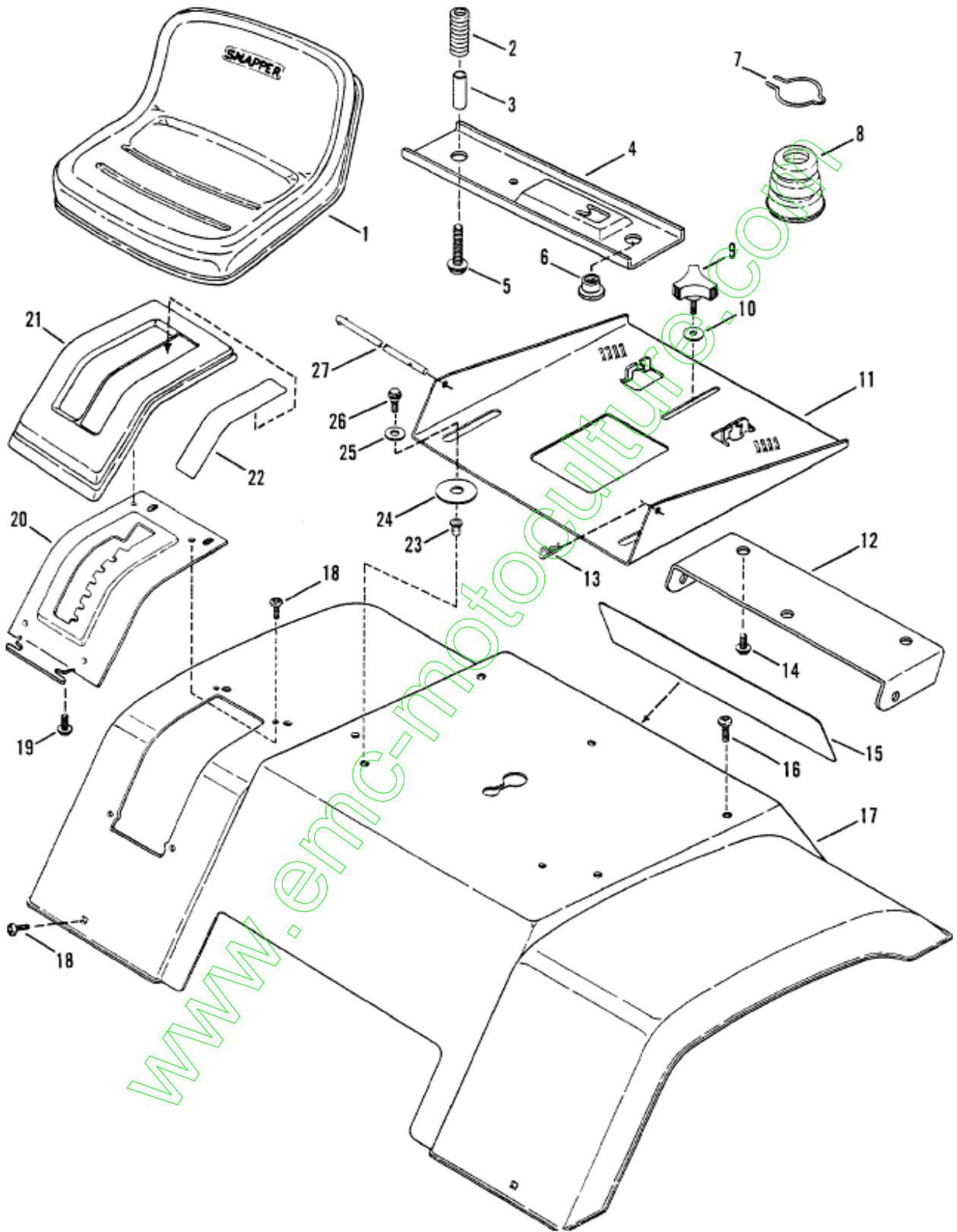


Ref #	Part #	Description	Qty	Context Note	Foot Note	UOM
1	7040698	ARM, Implement Lift Lever				
2	7033047	ROD, Lift Lever				
3	7019363	GRIP, Lift Lever				
4	7014361	CAP, Lift Release				
5	7047967	ARM, Rear Lift				
6	7091503	PIN, 3/32 x 1 1/2" Hair	4	Was 15067		
7	7090122	WASHER, 3/8" Flat	4			
8	7033737	BRACKET, Hanger	2			
9	7090361	SCREW, 5/16-18 x 5/8" Self Tap.	4			
10	7023171	LIFT-ROD				
11	7015020	RING, Retaining				
12	7014354	WASHER, Lift Lever	2			
13	7023197	BEARING, Lift Lever	2			
14	7033176	INDICATOR, Cut Height				
15	7047933	PIVOT ASSEMBLY, Lift Lever				
16	7090803	BOLT, 1/4-20 x 5/8" Flat Head Carr.	2			
17	7091584	NUT, 1/4-20 Hex Flange Lock	2	Was 90583		
18	7029841	PIN, 5/16 x 1 11/16" Clevis		Was 12407		
19	7033046	QUADRANT, Lift Lever				
20	7091001	SCREW, 5/16-18 x 5/8" Self-Tap	3			

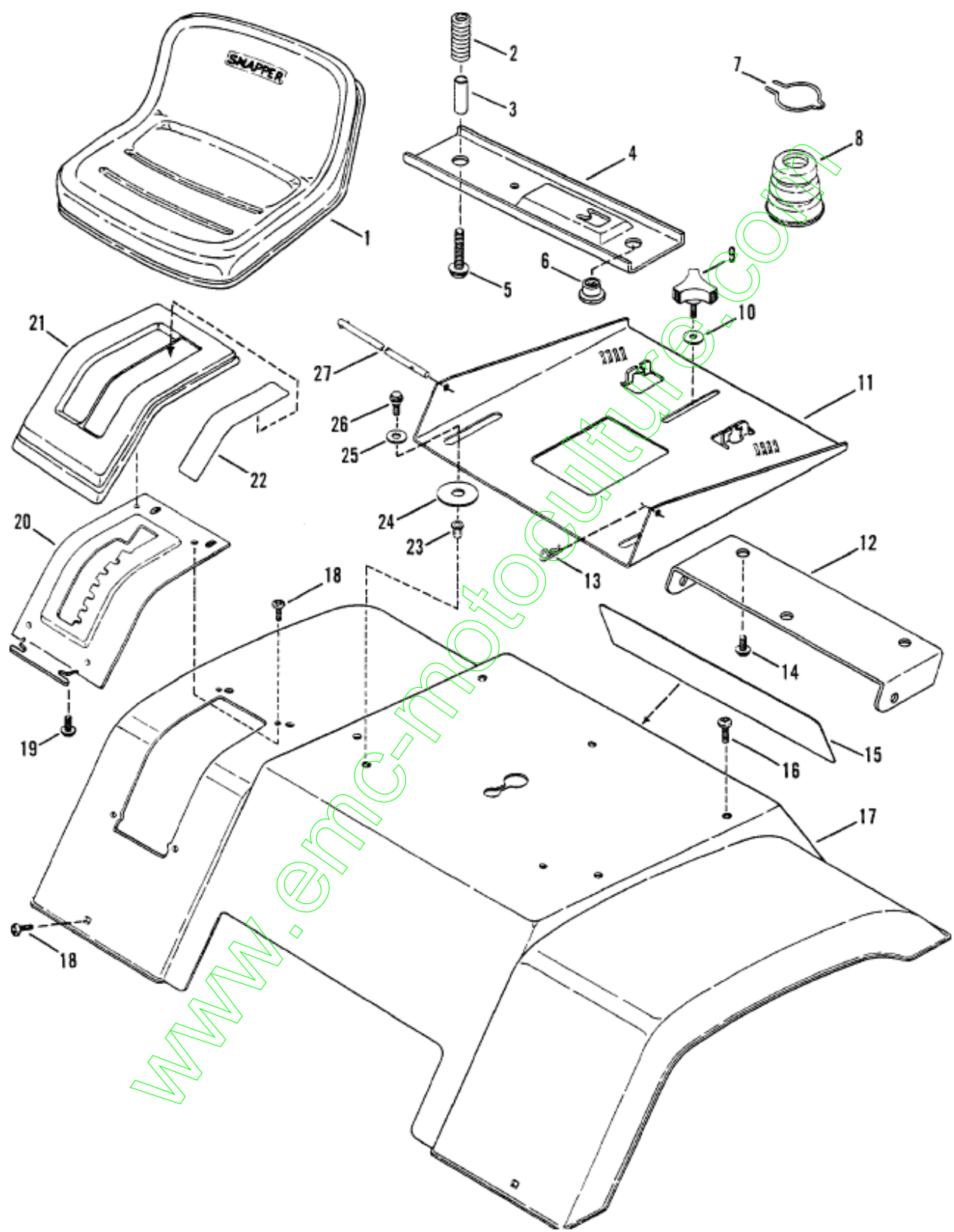


21	<u>7014432</u>	SPRING, Lift Lever
22	<u>7015019</u>	PLUG, Lift Lever
23	<u>7090881</u>	PIN, 3/16 x 2" Groove
24	<u>7017445</u>	DECAL, Cut Height

www.emc-motoculture.com



Ref #	Part #	Description	Qty	Context Note	Foot Note	UOM
1	7022545	SEAT, Operator's				
2	7022278	SPRING, Seat Switch	2			
3	7022794	SPACER, Seat	2			
4	7033362	HOLDER, Seat Switch				
5	7091592	BOLT, 5/16-18 x 2" Hex Flange Lock	2	Was 90586.		
6	7022793	BUSHING, Seat	2			
7	7019348	CLIP, Seat Bumper	2			
8	7019109	CUSHION, Seat	2			
9	7023191	KNOB, Seat Adjustment				
10	7011763	WASHER, 5/16 x 1" Flat				
11	7033360	SUPPORT, Seat				
12	7033361	BRACKET, Seat Support				
13	7012431	PIN, 1/4 Hair				
14	7090721	BOLT, 5/16-18 x 1/2" Hex Flange Lock	3			
15	7024981	DECAL, SNAPPER, Molded Logo				
16	7091000	SCREW, 5/16-18 x 7/8" Self-Tapping (Torx)	4			
17	7033049	FENDER, Rear				
18	7090999	SCREW, 1/4-20 x 5/8" Self-Tapping (Torx)	6			
19	7091105	SCREW, #10-16 x 1/2" Self-Tapping	4			

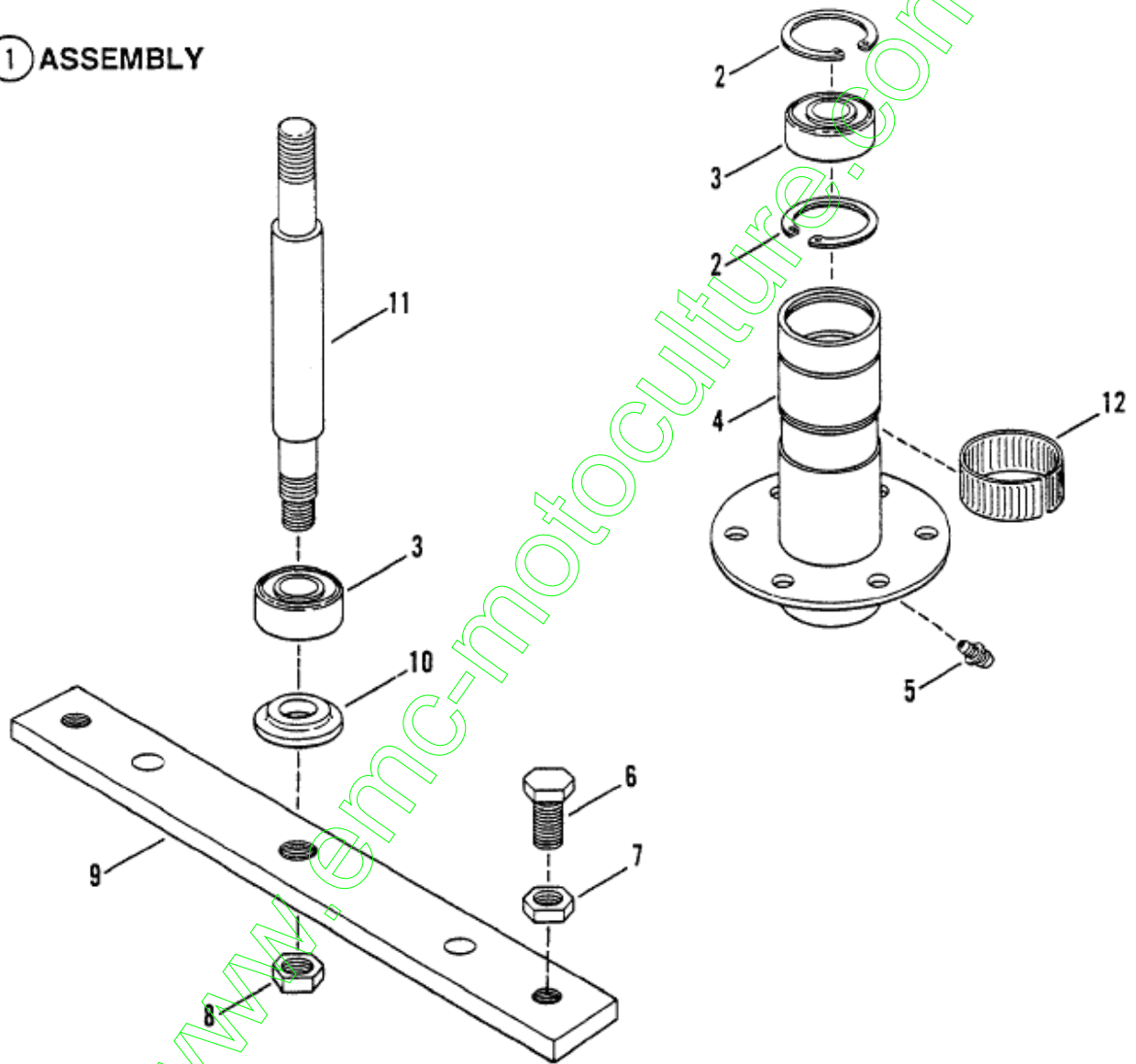


www.emc-motoculturi.com

20	<u>7033048</u>	DETENT, Shift	
21	<u>7024894</u>	COVER, Shift Detent	
22	<u>7073424</u>	DECAL, Shift Cover	Was 16576
23	<u>7023193</u>	RIV-NUT, 5/16-18 Hex	3
24	<u>7032692</u>	SPACER	3
25	<u>7023192</u>	WASHER, 7/16 x 1" Dia. Flat	2
26	<u>7015761</u>	BOLT, 5/16-18 x 3/4" Shoulder	2
27	<u>7019035</u>	ROD, Seat Hinge	

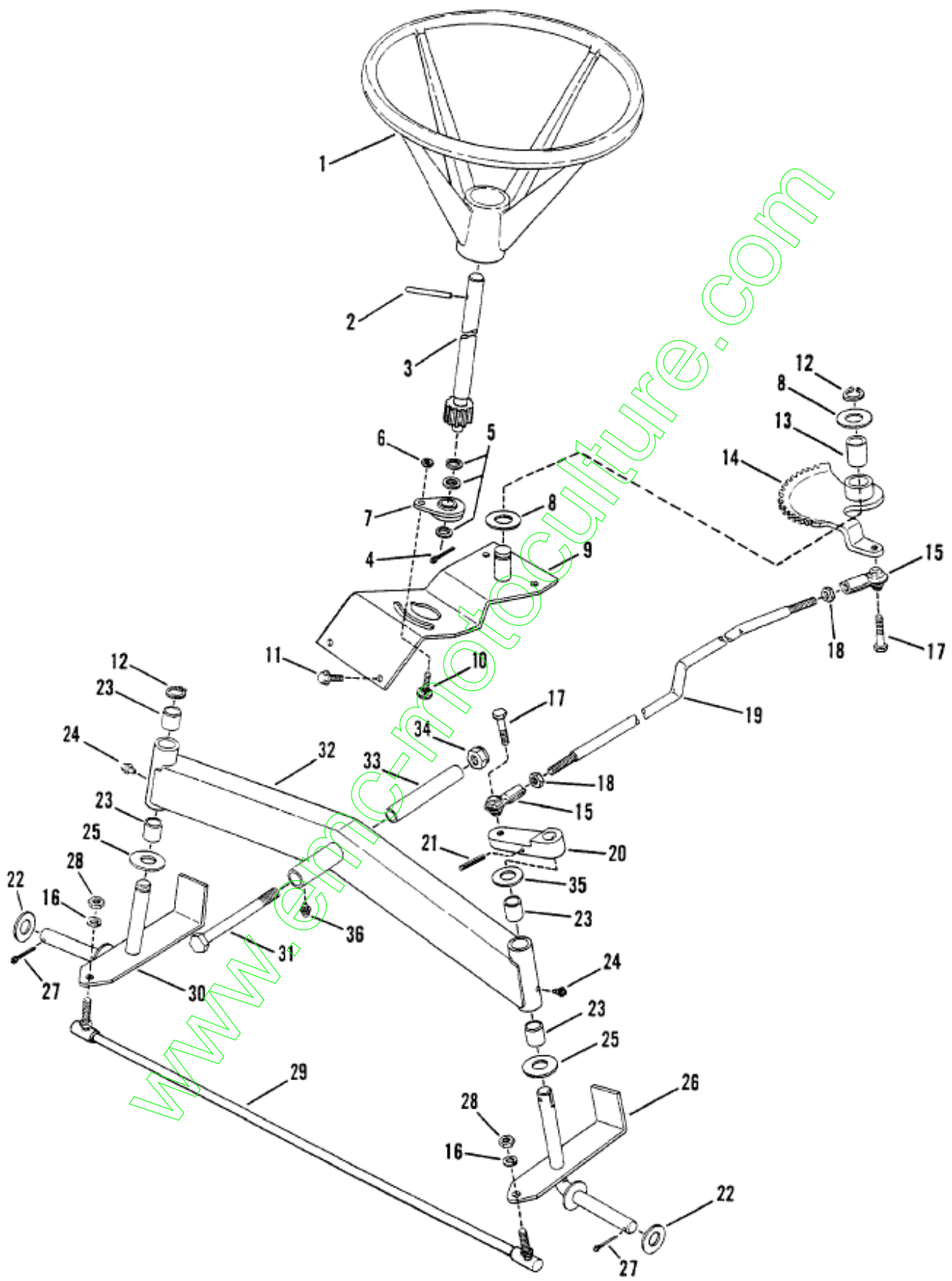
www.emc-motoculture.com

① ASSEMBLY

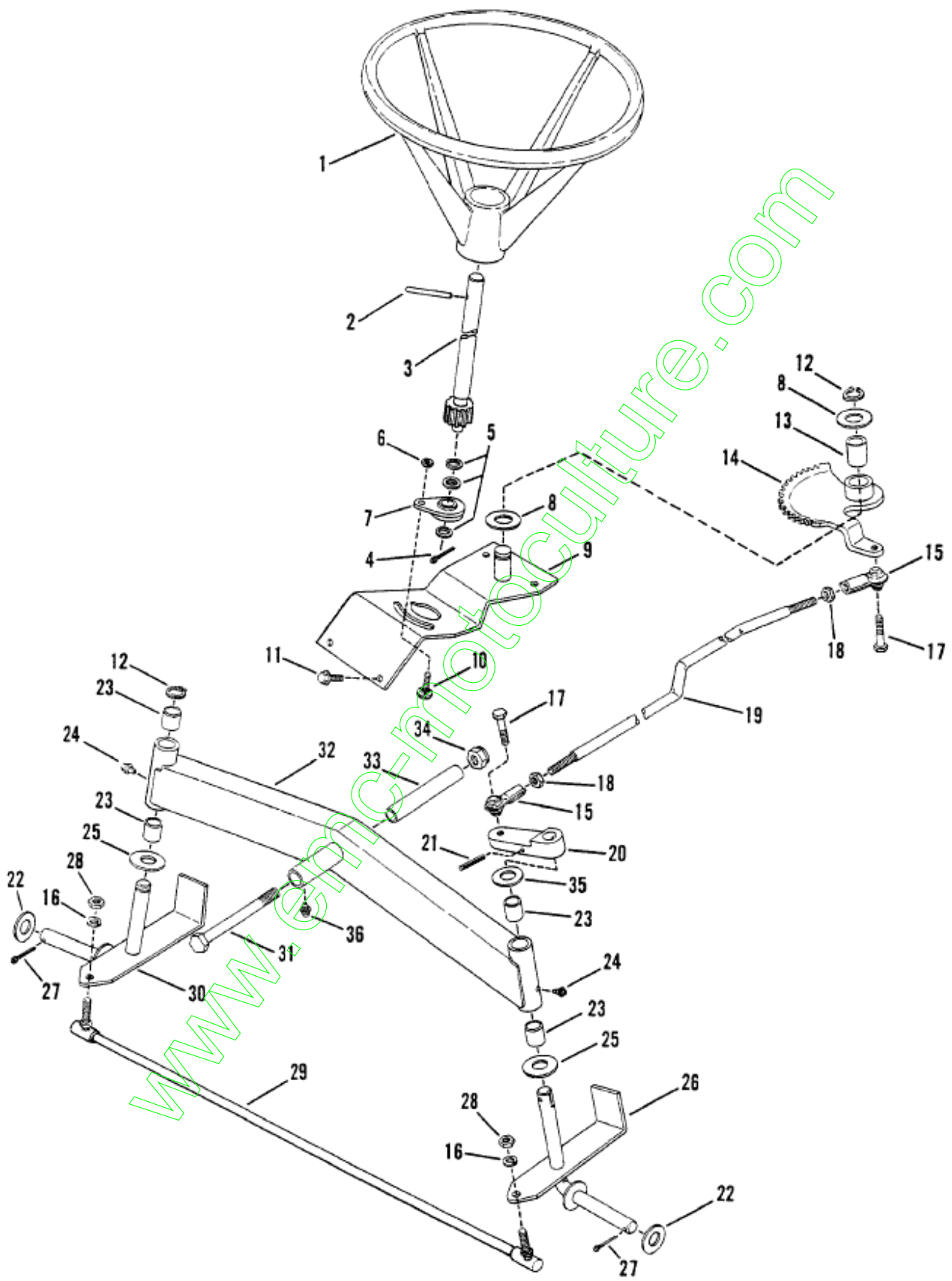


Ref #	Part #	Description	Qty	Context Note	Foot Note	UOM
1	<u>7052917</u>	ASSEMBLY, Spindle Housing, 33" Cutting Deck		(Includes items 2 thru 11)		
2	<u>7012491</u>	RING, Retaining	2			
3	<u>7013313</u>	BEARING, Spindle	2			
4	<u>7052294</u>	HOUSING, Spindle		(Includes item 5)		
5	<u>7010817</u>	FITTING, Lube (Press fit for .187 hole-no ball)				
6	<u>7090392</u>	SCREW, 1/2-20 x 1" Hex Head Cap, (Gr. 5)	2			
7	<u>7090559</u>	NUT, 1/2-20 Hex Jam	2			
8	<u>7090356</u>	NUT, 5/8-18 Hex Lock				
9	<u>7037751</u>	HOLDER, Blade				
10	<u>7014407</u>	WASHER, Spindle				
11	<u>7024687</u>	SPINDLE 7.54"				
12	<u>7012670</u>	RING, Tolerance				

www.emc-motoculture.com



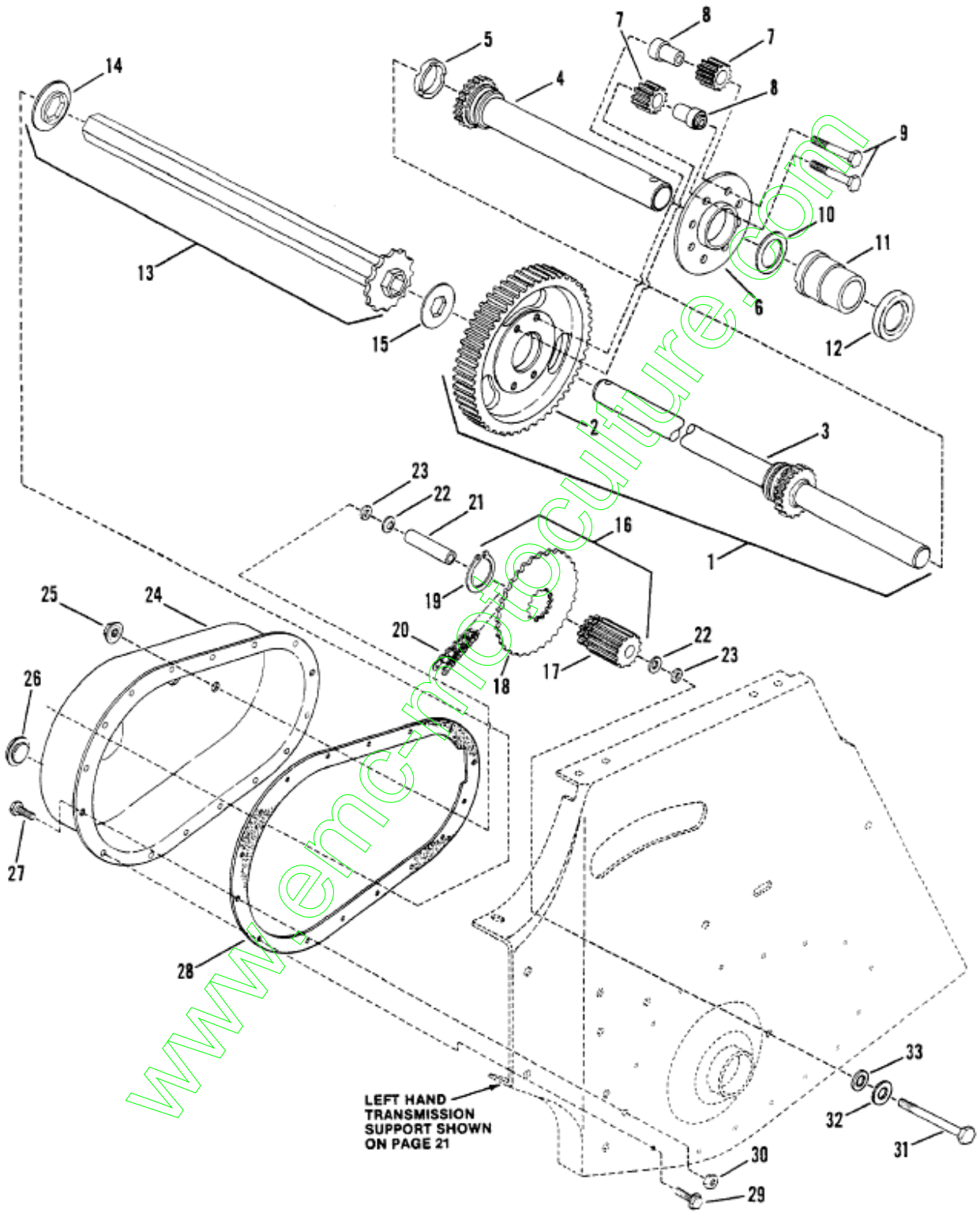
Ref #	Part #	Description	Qty	Context Note	Foot Note	UOM
1	7017040	WHEEL, Steering				
2	7012765	PIN, 1/4 x 2-1/4" Roll				
3	7040610	SHAFT, Steering				
4	7091313	PIN, Cotter 3/32 x 1"		Was 90038		
5	7014296	WASHER, 1/2 x 3/4" Dia. Shim	3			
6	7091584	NUT, 1/4-20 Hex Flange Lock		Was 90583		
7	7052562	ADJUSTER, Steering		Was 51751		
8	7011071	WASHER, Thrust	2			
9	7047938	ASSEMBLY, Steering Support				
10	7091573	BOLT, 1/4-20 x 5/8" Short Neck Carriage		Was 90551		
11	7090361	SCREW, 5/16-18 x 5/8" Self- Tapping	4			
12	7010746	RING, Retaining				
13	7015048	BEARING				
14	7051752	ASSEMBLY, Sector				
15	7027936	BALL JOINT, Drag Link 3/8-24	2	Was 23200		
16	7090118	WASHER, 3/8 Split Lock	4			
17	7090163	SCREW, 3/8-24 x 1 1/4" Hex Head Cap				
18	7090482	NUT, 3/8-24 Hex Jam	4			
19	7016062	DRAG-LINK				



www.enrprofoculture.com

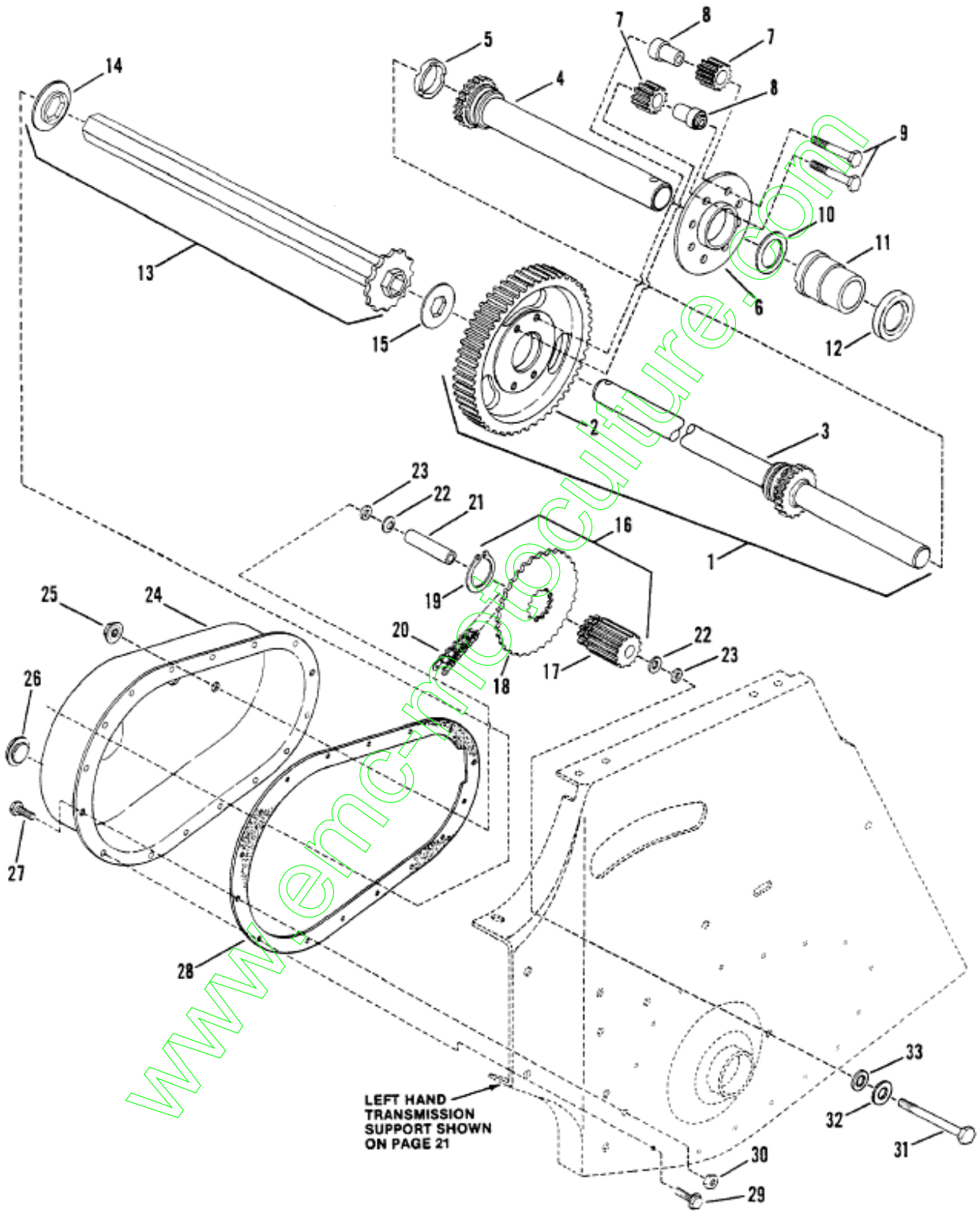
20	7019034	ARM, Steering		
21	7090842	PIN, 1/4x1-1/4" Roll		
22	7032027	WASHER, 49/64 x 1-1/2" Dia. Flat	3	
23	7012706	BEARING, Sleeve	4	
24	7013864	LUBE FITTING, Straight (press-fit for .187 dia. Hole)	2	
25	7031036	WASHER, Thrust		
26	7040977	ASSEMBLY, Spindle (Left Hand)		
27	7091516	PIN, 5/32 x 1" Cotter	2	Was 90364
28	7091630	NUT, 3/8-24 Hex	2	Was 90155
29	7017608	TIE-ROD		
30	7040976	ASSEMBLY, Spindle (Right Hand)		
31	7090993	SCREW, 1/2-20 x 4 1/2" Hex Head Cap		
32	7057536	ASSEMBLY, Front Axle		(Includes four item 23, two item 24, one item 36)
33	7022070	SPACER, Axle Pivot		
34	7090819	NUT, 1/2-20 Hex Lock		
35	7010935	WASHER, 3/4 x 1-1/8" Dia.		
36	7014871	FITTING, Lube		

www.enmotoculture.com



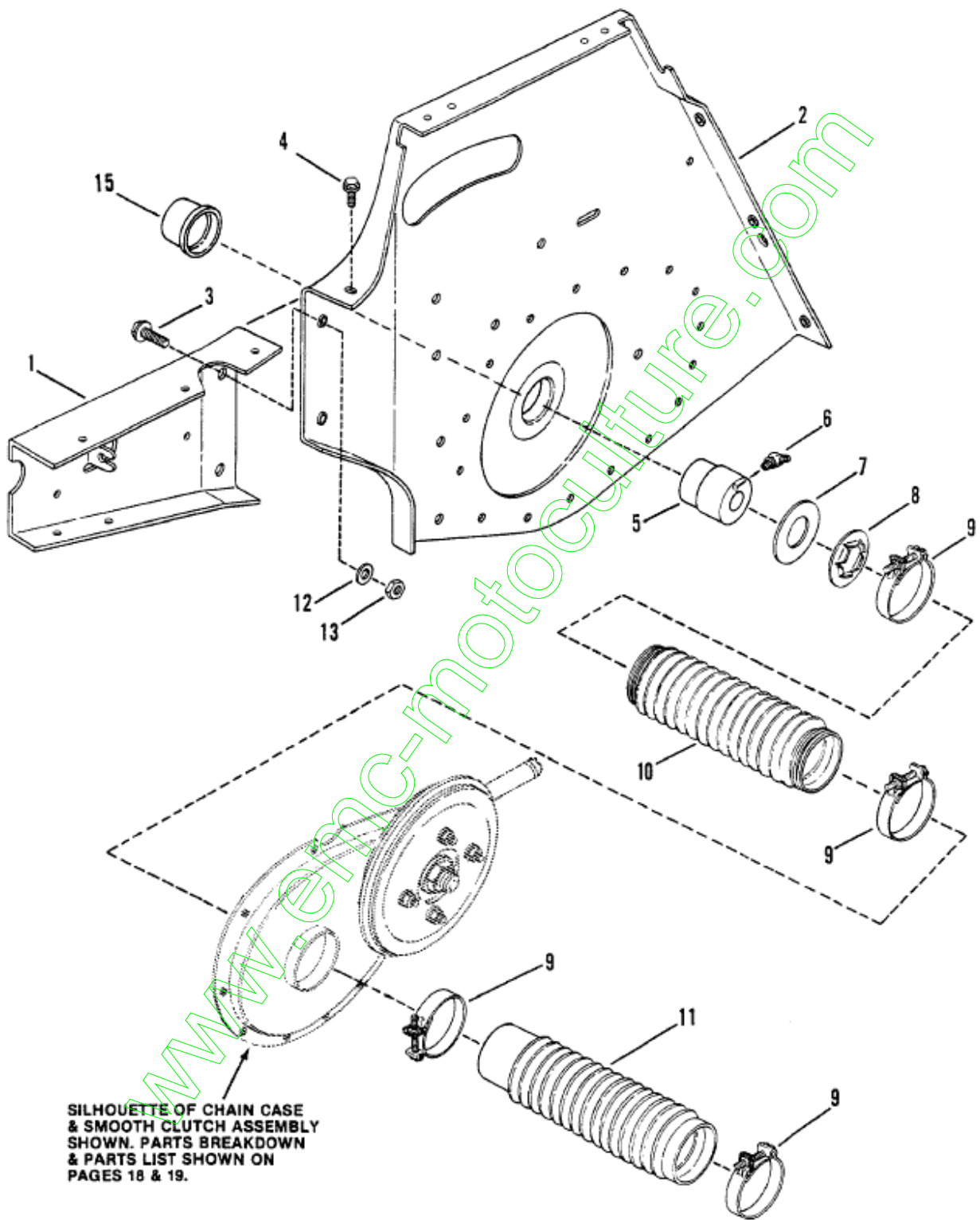
LEFT HAND
TRANSMISSION
SUPPORT SHOWN
ON PAGE 21

Ref #	Part #	Description	Qty	Context Note	Foot Note	UOM
1	7059742	ASSEMBLY, Differential		(Includes items 2 thru 33)		
2	7021158	GEAR, 63 Teeth, 10 Pitch				
3	7047935	AXLE, Long		(Includes Gear)		
4	7057532	AXLE, Short		(Includes Gear & 2 Internal Bearings)		
5	7074431	SPACER, Differential (1.25" ID x .425 Wide)		Was 11026		
6	7038067	PLATE, Differential				
7	7021127	PINION GEARS, Differential	4			
8	7022115	SPACER, Pinion	4			
9	7012333	BOLT, 5/16-24x1- 5/8" Hex, Special Lock Cap	4			
10	7031079	WASHER, Thrust				
11	7012296	BEARING, Axle, L.H. Transmission Support (Listed with L.H. Fender Assm'y. on Page 21)				
12	7011817	SEAL, Oil				
13	7051584	ASSEMBLY, Drive Hex Tube		(Includes item 14)		
14	7010988	WASHER, Hex Insert				
15	7011072	WASHER, Thrust				
16	7050257	ASSEMBLY, Gear & Sprocket		(Includes items 17,18, & 19)		
17	7010964	GEAR, 11 Teeth, 10 Pitch				
18	7021129	SPROCKET				

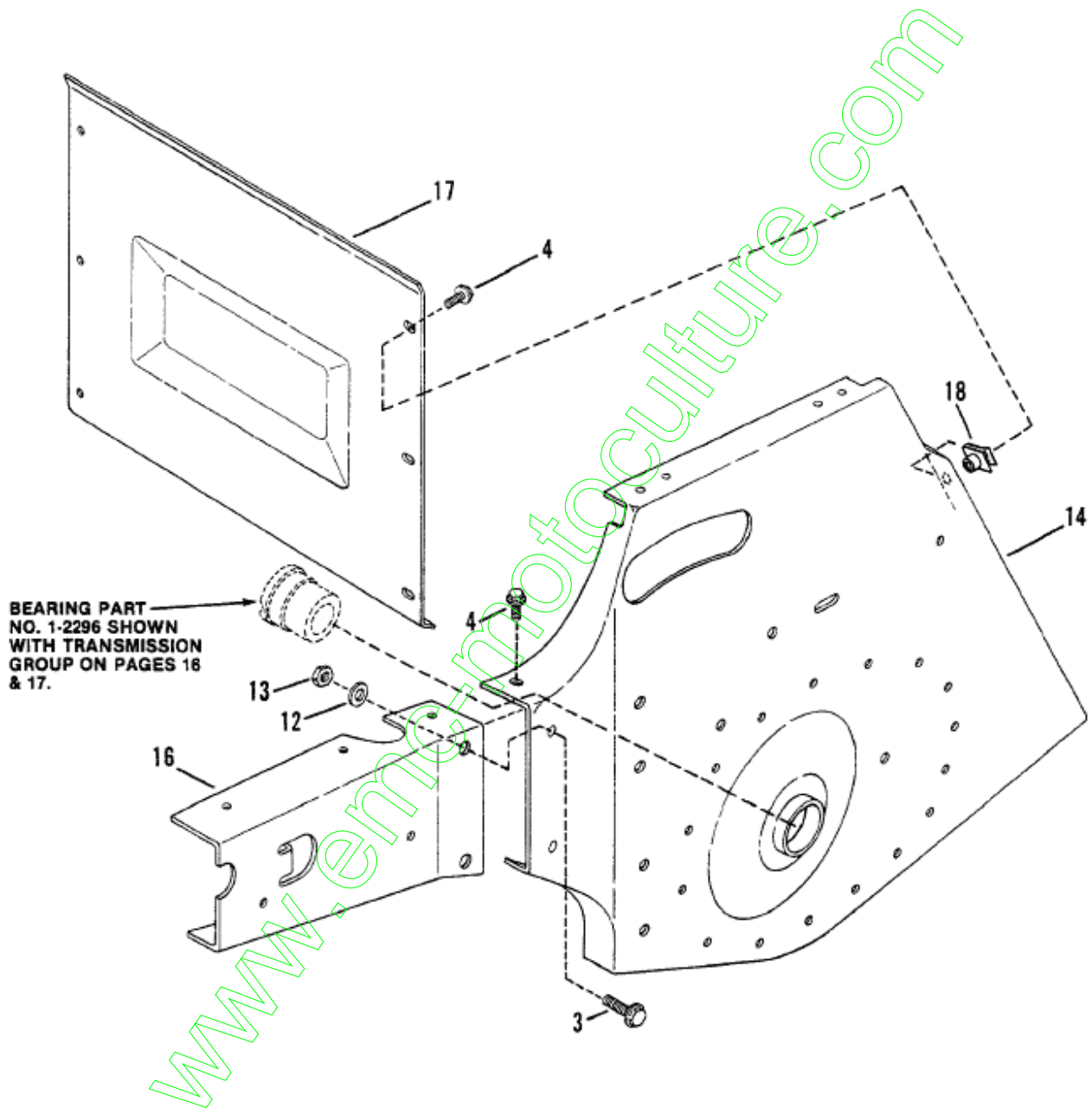


LEFT HAND
TRANSMISSION
SUPPORT SHOWN
ON PAGE 21

19	7010965	RING, Retaining		
20	7010941	CHAIN, 46 Pitch (#35)		
21	7021128	SPACER		
22	7011782	WASHER, Belleville	2	
23	7011156	O-RING, 5/16"	2	
24	7036257	CASE, Transmission		
25	7010969	NUT, 5/16-24 Hex Flange Lock		
26	7011024	PLUG, Oil Fill & Check	2	
27	7090072	SCREW, 1/4- 20x5/8" Hex Head Cap	2	
28	7028762	GASKET, Transmission Case		Was 18060
29	7091819	SCREW, 1/4- 20x5/8" Self- Tapping	14	Was 90362
30	7090372	NUT, 1/4-20 Hex Lock	2	
31	7011042	BOLT, Idler, 5/16- 24x2-5/8"		
32	7090188	WASHER, Flat		
33	7090395	WASHER, 5/16" Internal Tooth Lock		



Ref #	Part #	Description	Qty	Context Note	Foot Note	UOM
1	<u>7035180</u>	EXTENSION, Transmission support (Right Hand)				
2	<u>7035144</u>	SUPPORT, Transmission (Right Hand)				
3	<u>7027198</u>	BOLT, 3/8-16 x 1" Hex Flange Lock	4	Was 90582		
4	<u>7090361</u>	SCREW, 5/16-18 x 5/8" self- Tapping	8			
5	<u>7050918</u>	ASSEMBLY, Axle Bearing		Was 51746 (Includes item 6)		
6	<u>7013324</u>	FITTING, Lube				
7	<u>7011071</u>	WASHER, Thrust				
8	<u>7011072</u>	WASHER, Thrust (Hex Drive Tube)				
9	<u>7011037</u>	CLAMP, Boot	4			
10	<u>7075115</u>	BOOT, Oil Seal		Was 17083		
11	<u>7016303</u>	BOOT, Oil Seal				
12	<u>7090122</u>	WASHER, 318 Flat	4			
13	<u>7091585</u>	NUT, 3/8-16 Hex Center Lock	4	Was 90546		
15	<u>7014658</u>	CAP, Seal L.H. 3/4"		Was 10967 (Now 14658 + 14662 + 12332)		
	<u>7012296</u>	Bearing				

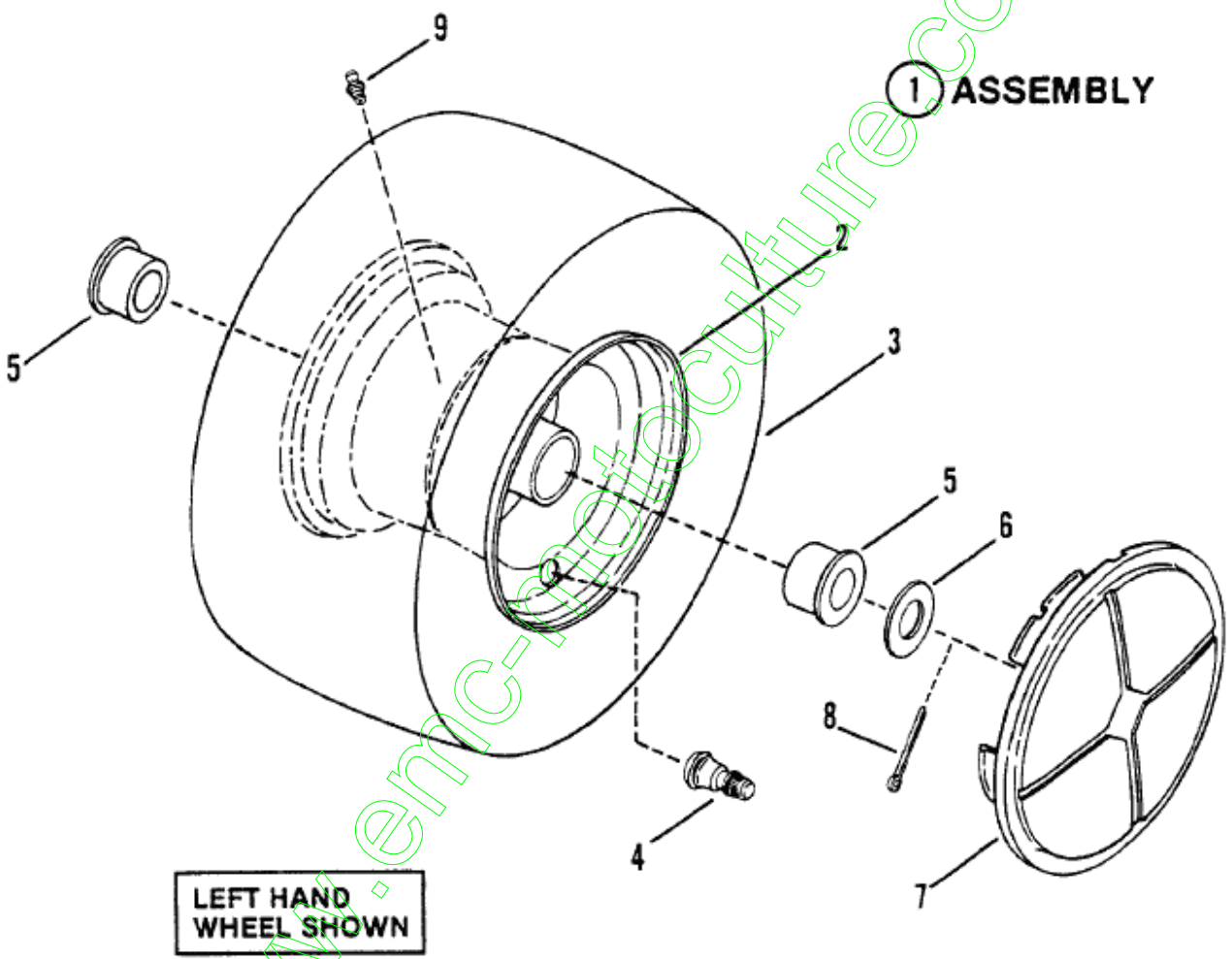


Ref #	Part #	Description	Qty	Context Note	Foot Note	UOM
3	7027198	BOLT, 3/8-16 x 1" Hex Flange Lock	4	Was 90582		
4	7090361	SCREW, 5/16-18 x 5/8" self- Tapping	8			
12	7090122	WASHER, 318 Flat	4			
13	7091585	NUT, 3/8-16 Hex Center Lock	4	Was 90546		
14	7051759	SUPPORT, Transmission (Left Hand)			(Includes Bearing #1- 2296)	
16	7035179	EXTENSION, Transmission Support (Left Hand)				
17	7036252	COVER, Rear				
18	7016116	NUT, 5/16 Push On				
	7012296	Bearing				

www.emc-motoculture.com

www.emc-photoculture.com

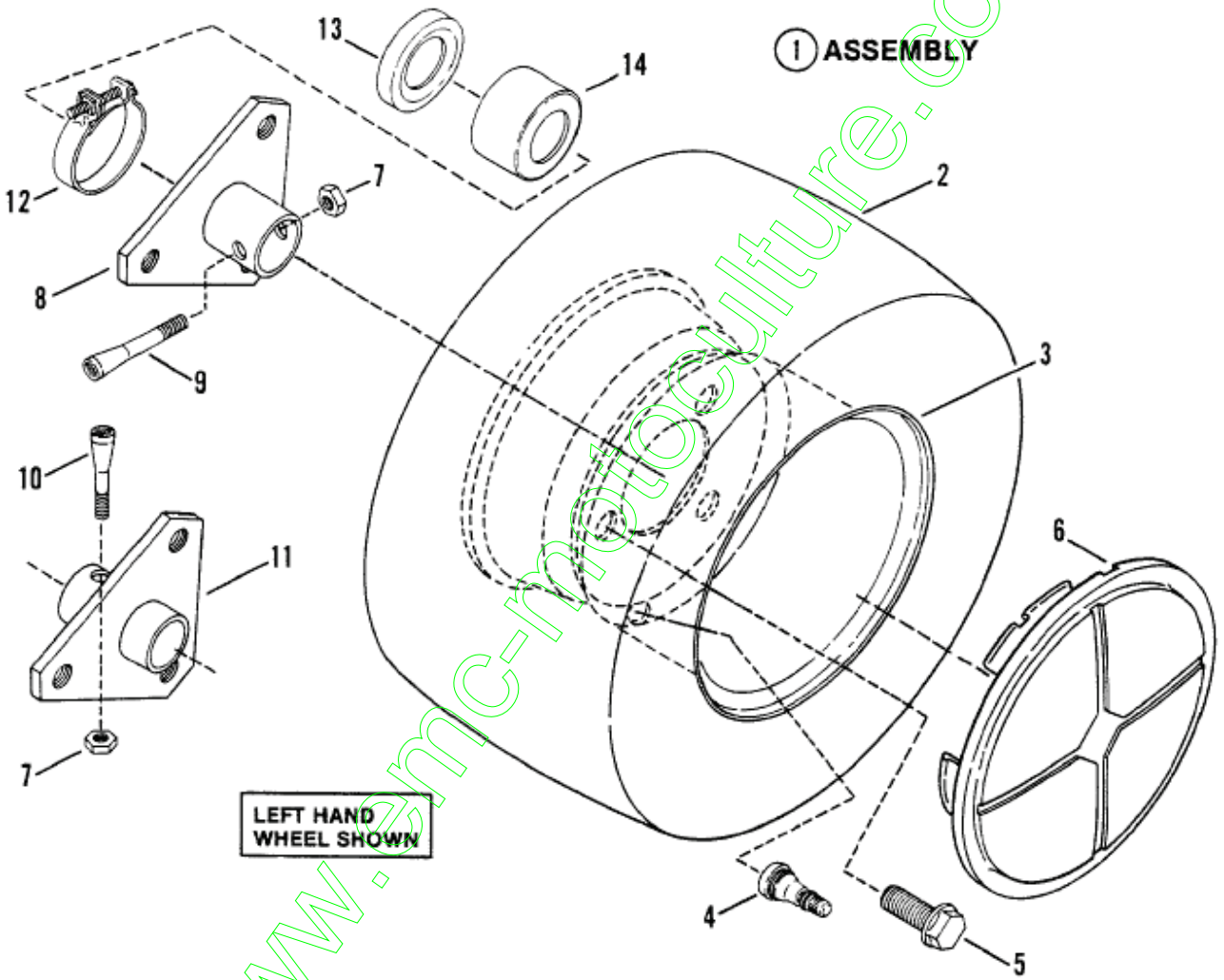
1 ASSEMBLY



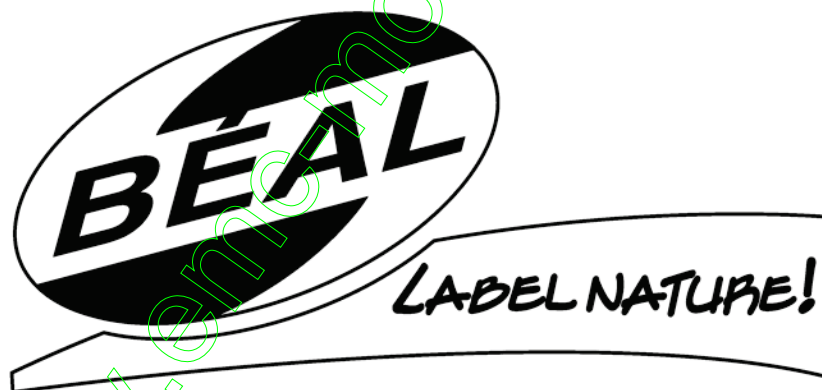
LEFT HAND
WHEEL SHOWN

Ref #	Part #	Description	Qty	Context Note	Foot Note	UOM
1	<u>7058517</u>	ASSEMBLY, Front Tire & Rim		Was 52957 (Includes 2, 3, & 4)		
2	<u>7022772</u>	RIM, 6 x 4.50				
3	<u>7072704</u>	TIRE, 15-6.00 x 6		Was 26109		
4	<u>7012234</u>	VALVE, Air (Snap-In)				
5	<u>7014483</u>	BEARING, Wheel	2			
6	<u>7032027</u>	WASHER, 49/64 x 1-1/2" O.D. Flat				
7	<u>7019417</u>	COVER, Wheel				
8	<u>7091516</u>	PIN, 5/32 x 1" Cotter		Was 90364		
9	<u>7076998</u>	FITTING, Lube 1/4-28 Tapered Thread		Was 13876		

www.emc-motoculture.com



Ref #	Part #	Description	Qty	Context Note	Foot Note	UOM
1	7052675	ASSEMBLY, Rear Tire & Rim (33" Deck) (LT120D33)		(Includes items 2, 3, & 4)		
2	7022688	TIRE, 18-7.50 x 8		(Used with 33" Deck)		
3	7016741	RIM, 8 x 5-3/8		(Used with 33" Deck)		
4	7012234	VALVE, Air (Snap-in)				
5	7091502	BOLT, 1/2-20 x 3/4" Lug	3	Was 90367		
6	7019418	WHEEL COVER				
7	7092062	NUT, 5/16-24 Hex Lock	2	Was 11201		
8	7040433	HUB, Rear Wheel (Left Hand) 1.126" ID				
9	7011013	BOLT, 5/16-24 x 2" Tapered (Left Hand)				
10	7011035	BOLT, 5/16-24 x 1 5/8" Tapered (Right Hand)				
11	7040434	HUB, Rear Wheel (Right Hand) .75" ID				
12	7011037	CLAMP				
13	7011817	SEAL, Oil (Left Hand)				
14	7031732	CAP, Seal (Left Hand)				



**Yvan Béal - 21, av. de l'Agriculture - B.P 16
Z.I. du Brézet - 63014 Clermont-Ferrand Cedex 2
Tél: 04 73 91 93 51 - Télécopie : 04 73 90 23 11
www.yvanbeal.fr - E-mail : info@yvanbeal.fr
R.C.S. B 304 973 886 - S.A.S. au capital de 612 000 €**