



PIÈCES DÉTACHÉES

Autoportée

ELT125G33BB

LT120G30BB

LT125G33BB

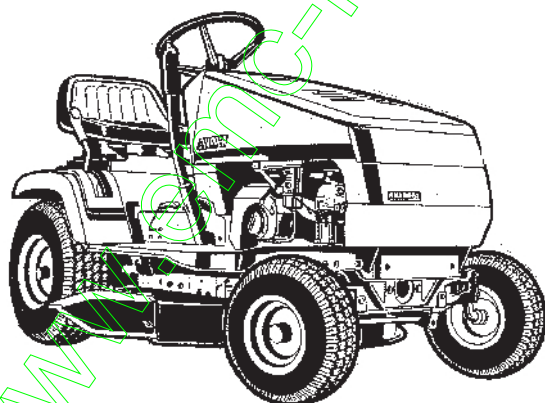
LT140H33BBV

ELT140H33BBV

LT140H38BBV

LT150H38BBV

LT155H42BBV



Série B



Yvan Béal - 21, av. de l'Agriculture - B.P. 16
Z.I. du Brézet - 63014 Clermont-Ferrand Cedex 2
Tél : 04 73 91 93 51 - Télécopie : 04 73 90 23 11
www.yvanbeal.fr - E-mail : info@yvanbeal.fr
R.C.S. Clermont-Fd B 304 973 886 S.A.S. au capital de 612 000 €

03-000689-060301

CONTENTS

<u>PAGE</u>	<u>GROUP</u>
4, 5	HOOD, BUMPER, HEADLIGHTS & COMPONENTS
6, 7	STEERING WHEEL, CONSOLE, FUEL TANK
8, 9	SEAT, REAR FENDER & COMPONENTS
10, 11	FRONT AXLE & FRONT WHEEL PARTS
12, 13	TRANSMISSION GROUP (Hydro Drive) & REAR WHEELS
14, 15	TRANSMISSION GROUP (Gear Drive) & REAR WHEELS
16, 17	FRAME, CLUTCH, BRAKE & STEERING COMPONENTS
18, 19	BLADE ENGAGEMENT & TRANSMISSION CONTROLS
20, 21	30" CUTTING DECK, BELTS, BRAKES
22	SPINDLE - 30" CUTTING DECK
23	ELECTRICAL COMPONENTS
24, 25	33" CUTTING DECK, BELTS, BRAKES
26, 27	38" CUTTING DECK, BELTS, BRAKES
28	SPINDLE - 38" CUTTING DECK
29	IMPLEMENT LIFT PARTS
30, 31	42" CUTTING DECK (Belt, Blade Brake Shown On Page 32)
32	BELT, BLADE BRAKE - 42" CUTTING DECK
33	SPINDLE ASSEMBLY - 42" CUTTING DECK
34, 35	ENGINE COMPONENTS
36	ELECTRICAL - Brigg's & Stratton Engines (14, 15, & 15.5 HP)
37	ELECTRICAL - Brigg's & Stratton Engines (12 & 12.5 HP)

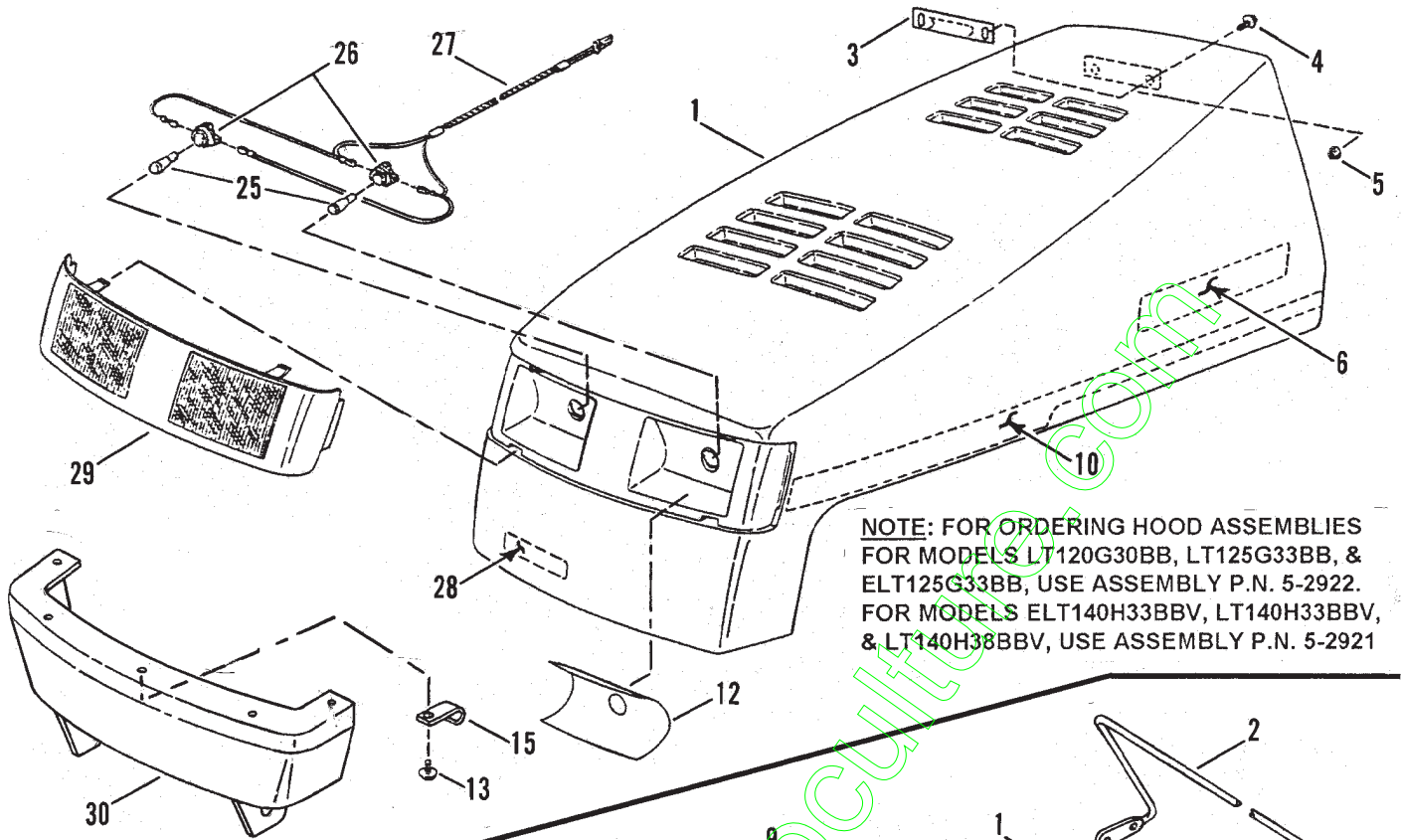
ALWAYS USE “GENUINE” SNAPPER PARTS...

To Our Dealer's:

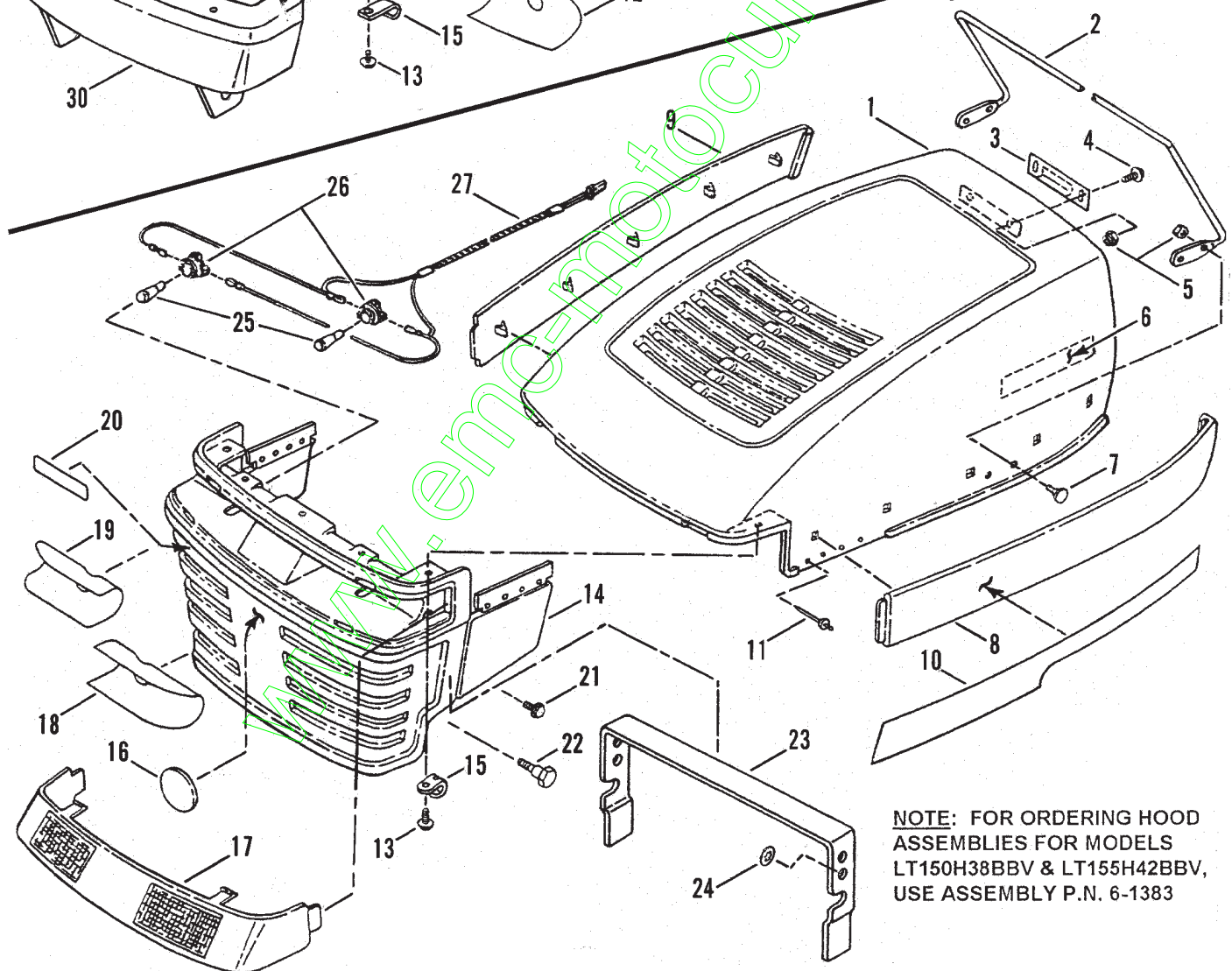
As a professional, you take pride in your business. You have the skill and the expertise to perform the latest technology in the repair of high quality lawn cutting equipment. You recognize the importance of keeping abreast of the ever-changing advancements in lawn cutting technology. A SNAPPER Lawn Tractor proves its worth over years of big, tough jobs. SNAPPER builds the same superb quality in all of their products, from mowers to tillers. SNAPPER has a long-term commitment to providing customer satisfaction by building equipment that reflects the highest standards of manufacturing excellence and by offering quality service and parts to keep them operating at peak performance. Gaining customer loyalty and repeat business is accomplished by your dedication to providing “Superior Service”.

NO ONE DESERVES ANYTHING LESS THAN THE EFFICIENCY AND DURABILITY OF A SNAPPER.

HOOD, BUMPER, HEADLIGHTS & COMPONENTS



NOTE: FOR ORDERING HOOD ASSEMBLIES FOR MODELS LT120G30BB, LT125G33BB, & ELT125G33BB, USE ASSEMBLY P.N. 5-2922. FOR MODELS ELT140H33BBV, LT140H33BBV, & LT140H38BBV, USE ASSEMBLY P.N. 5-2921



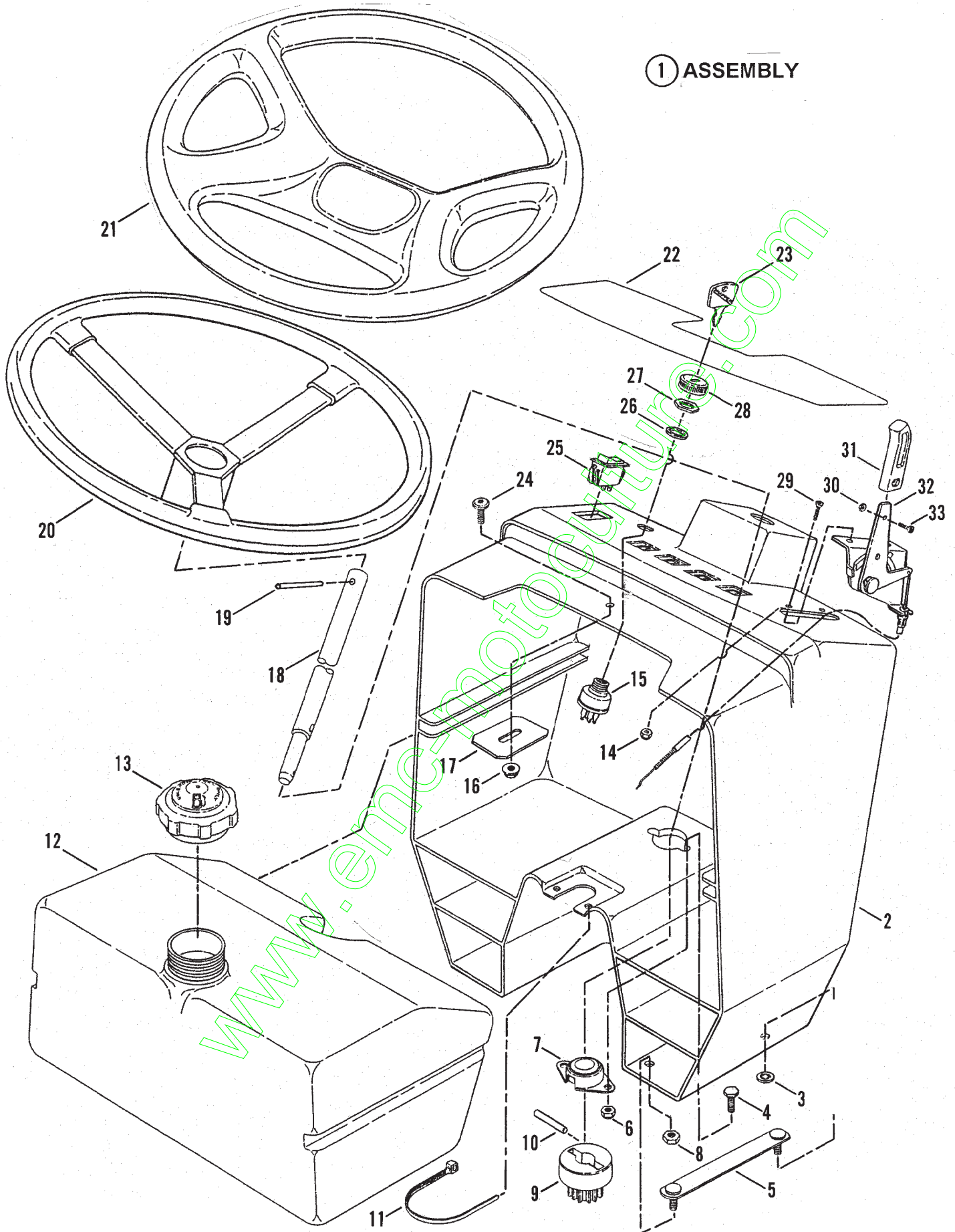
NOTE: FOR ORDERING HOOD ASSEMBLIES FOR MODELS LT150H38BBV & LT155H42BBV, USE ASSEMBLY P.N. 6-1383

HOOD, BUMPER, HEADLIGHTS & COMPONENTS

ITEM	PART NO.	DESCRIPTION
1	2-4605	HOOD, (30", 33", & ELT33" Gear Drive Models) (ELT 33" & 38" Hydro Drive Models) (1995) (30", 33", & ELT33" Gear Drive Models) (38" Hydro Drive Models) (1996)
--	2-4471	HOOD, Mozart (LT150H38BBV & LT155H42BBV Hydro Drive Models) (Model Year 1995) (LT150H38BBV, LT155H42BBV & ELT140H33BBV Hydro Drive Models) (Model Year 1996)
2	1-6766	ROD, Hood Support
3	2-4718	LATCH, Spring
4	9-0999	SCREW, 1/4-20 x 5/8" Truss Head, Torx (2)
5	7-6978	NUT, 1/4-20 Hex Nyloc (6)
6A	2-4903	DECAL - SNAPPER, 8" Molded Logo, White Letters (Gear Dr. Mdls. LT120G30BB, LT125G33BB, & ELT125G33BB)
--	1-6974	DECAL - SNAPPER, 8" Molded Logo, Silver Letters (Hydro Dr. Mdls. ELT140H33BBV, LT140H33BBV, LT140H38BBV, LT150H38BBV, & LT155H42BBV)
6B	2-6228	LOGO - BLACKHAWK (Models BH140H33BBV & BH140H38BBV) (2)
7	9-0803	BOLT, 1/4-20 x 5/8" Flat Head Carriage (4)
8	2-9572	PANEL, Hood (Left Hand) (Black)
9	2-9571	PANEL, Hood (Right Hand) (Black)
10A	2-7840	DECAL, Hood (Right Hand) (Model ELT140H33BBV & LT140H33BBV) (Hydro Drive)
--	2-7841	DECAL, Hood (Left Hand) (Model ELT140H33BBV & LT140H33BBV) (Hydro Drive)
--	2-7832	DECAL, Hood (Right Hand) (Model LT140H38BBV) (Hydro Drive)
--	2-7833	DECAL, Hood (Left Hand) (Model LT140H38BBV) (Hydro Drive)
--	2-9585	DECAL, Hood (Right Hand) (Model LT150H38BBV) (Hydro Drive)
--	2-9586	DECAL, Hood (Left Hand) (Model LT150H38BBV) (Hydro Drive)
--	2-9587	DECAL, Hood (Right Hand) (Model LT155H42BBV) (Hydro Drive)
--	2-9588	DECAL, Hood (Left Hand) (Model LT155H42BBV) (Hydro Drive)
--	2-7824	DECAL, Hood (Right Hand) (Model LT120G30BB) (Gear Drive)
--	2-7825	DECAL, Hood (Left Hand) (Model LT120G30BB) (Gear Drive)
--	2-7826	DECAL, Hood (Right Hand) (Models LT125G33BB & ELT125G33BB) (Gear Drive)
--	2-7827	DECAL, Hood (Left Hand) (Models LT125G33BB & ELT125G33BB) (Gear Drive)
10B	2-6706	DECAL, Hood (Right Side) (Models BH140H33BBV & BH140H38BBV)
--	2-6707	DECAL, Hood (Left Side Shown) (Models BH140H33BBV & BH140H38BBV)
11	9-1095	RIVET, 1/8" Pop (8)
12	1-7175	DECAL, Clear Lens (Left Hand)
--	1-7174	DECAL, Clear Lens (Right Hand)
13	9-1106	SCREW, M4.8 x 1.59 x 16.00MM, Special (5)
14	2-9570	GRILLE, Hood
15	2-6482	CLIP, "J"
16	7-1544	DECAL, Molded Medallion (Hydro Models Only!)
17	2-9602	LENS, Grille (Headlights)
18	2-6180	DECAL, Reflect (Left Hand)
19	2-6179	DECAL, Reflect (Right Hand)
20	2-2968	DECAL - SNAPPER, 4" Molded Logo (Silver Letters - Blue Stripe) (Hydro Mdls. Only!)
21	9-0858	SCREW, 5/16-18 x 1/2" Self-Tapping (4)
22	2-4061	BOLT, Shoulder, 3/8-16 x 1 1/4" Hex Socket, Torx (2)
23	3-4324	BRACE, Hood Support
24	1-1791	RETAINER, Bolt
25	2-6172	BULB, Headlights (2)
26	2-4709	SOCKET, Headlight Bulb (2)
27	2-6171	HARNES, Headlight Wiring
28	2-4904	DECAL - SNAPPER, 4" Molded Logo (White Letters & Stripe) (Gear Drive Mdls. Only!)
29	2-4892	LENS, Solid Black (Models without Headlights)
--	2-4893	LENS, Clear (Models with Headlights)
30	2-9620	BUMPER, Front Hood Support

STEERING WHEEL, CONSOLE, FUEL TANK

① ASSEMBLY

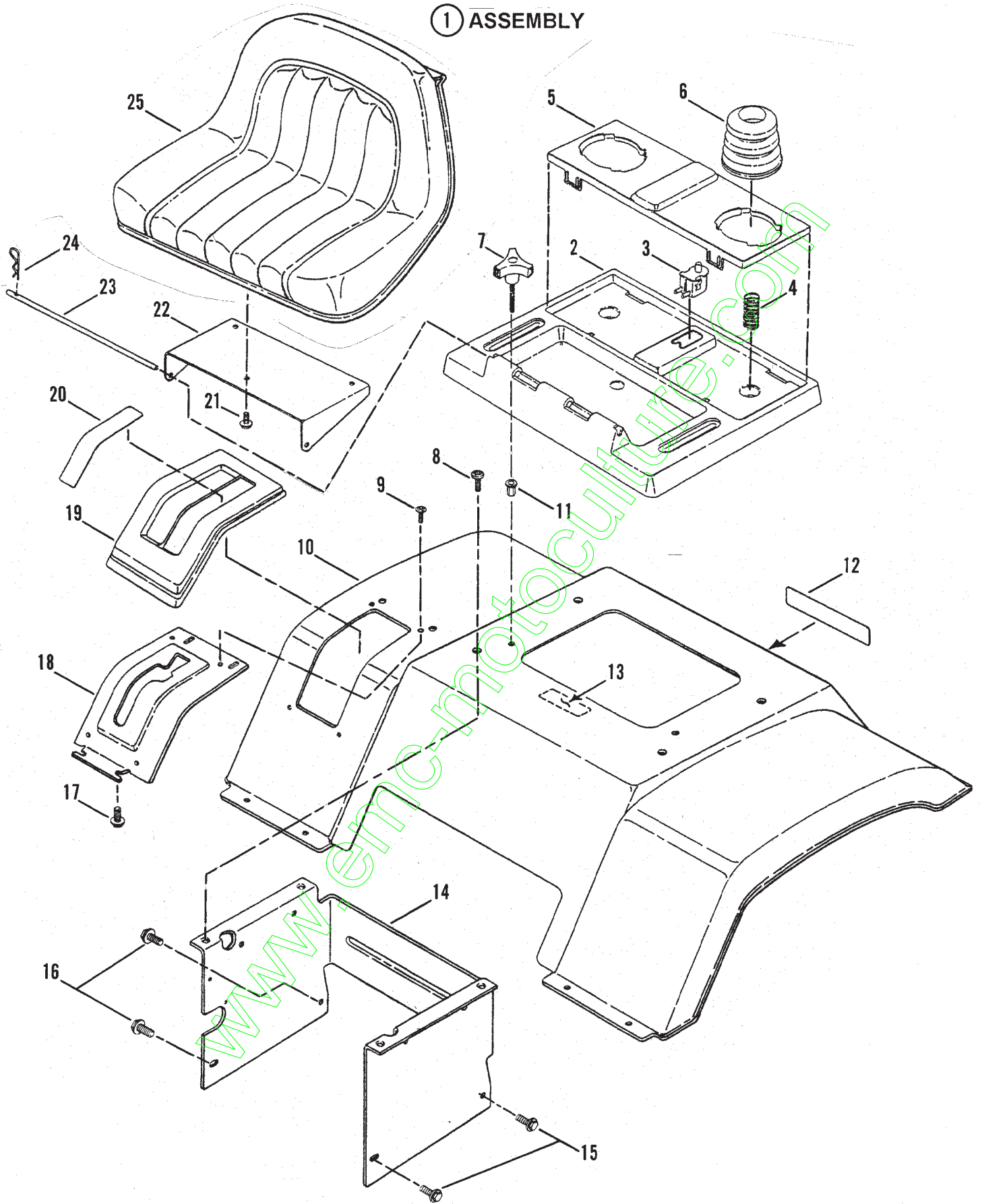


STEERING WHEEL, CONSOLE, FUEL TANK

ITEM	PART NO.	DESCRIPTION
1	5-2825	ASSEMBLY, Console (Includes items 2 thru 7)
2	2-4376	CONSOLE
3	1-1791	RETAINER (4)
4	9-1495	SCREW, 1/4-20 x 3/4" Hex Head Cap, Grade 5 (2)
5	5-2891	ASSEMBLY, Strap-Clinch Stud (2)
6	7-6978	NUT, 1/4-20 Hex Nyloc (2)
7	2-6196	ASSEMBLY, Flange Bearing
8	9-1575	NUT, 5/16-18 Hex Center Lock (4)
9	2-2368	GEAR, Pinion, Steering Shaft
10	2-2369	PIN, Dowel, 1/4 x 1 1/4"
11	2-4641	TIE, Wire
12	5-2907	ASSEMBLY, Fuel Tank (Includes item 13)
13	1-4363	CAP, Fuel Tank
14	9-1599	NUT, #10-24 Hex Nyloc (2)
15	1-8562	KEYSWITCH (Includes item 27) (Gear Drive Models)
--	2-6343	KEYSWITCH (Includes item 27) (Hydro Drive Models)
16	9-0951	NUT, 5/16-18 Hex Flange Lock
17	3-3883	BRACKET, Hood Latch Catch
18	2-2380	SHAFT, Steering
19	1-2765	ROLL-PIN
20	2-7865	STEERING WHEEL (Models LT120G30BB, LT125G33BB, & ELT125G33BB) (Gear Drive) (Model Year 1995)
--	2-8622	STEERING WHEEL (Models LT120G30BB, LT125G33BB, & ELT125G33BB) (Gear Drive) (Model Year 1996)
21	2-9595	STEERING WHEEL (Models ELT140H33BBV, LT140H33BBV, LT140H38BBV, LT150H38BBV, & LT155H42BBV) (Hydro Drive)
--	2-2388	STEERING WHEEL (Not Shown) (Models BH140H33BBV & BH140H38BBV) (Hydro Drive)
22	2-4627	DECAL, Console (Models LT120G30BB, LT125G33BB, & ELT125G33BB) (Gear Drive)
--	2-7835	DECAL, Console (ELT140H33BBV, LT140H33BBV, LT140H38BBV, LT150H38BBV, & LT155H42BBV) (Hydro Drive - With Lights)
--	2-6709	DECAL, Console (Models BH140H33BBV & BH140H38BBV)
23	2-3504	KEY, Special (With Cover)
24	9-1001	SCREW, 5/16-18 x 5/8" Truss Head, Torx
25	2-3187	SWITCH, Lights (Hydro Drive Models Only!)
26	2-9714	SPACER
27	2-9721	NUT, 5/8-32 Hex
28	2-3506	BEZEL
29	9-1188	SCREW, #10-24 x 5/8" Machine (2)
30	9-1018	NUT, #8-32 Hex
31	2-3655	HANDLE, Throttle Control
32	2-4642	CONTROL, Throttle
33	9-1017	SCREW, #8-32 x 3/8" Cross-Recessed, Fillester Head

SEAT, REAR FENDER & COMPONENTS

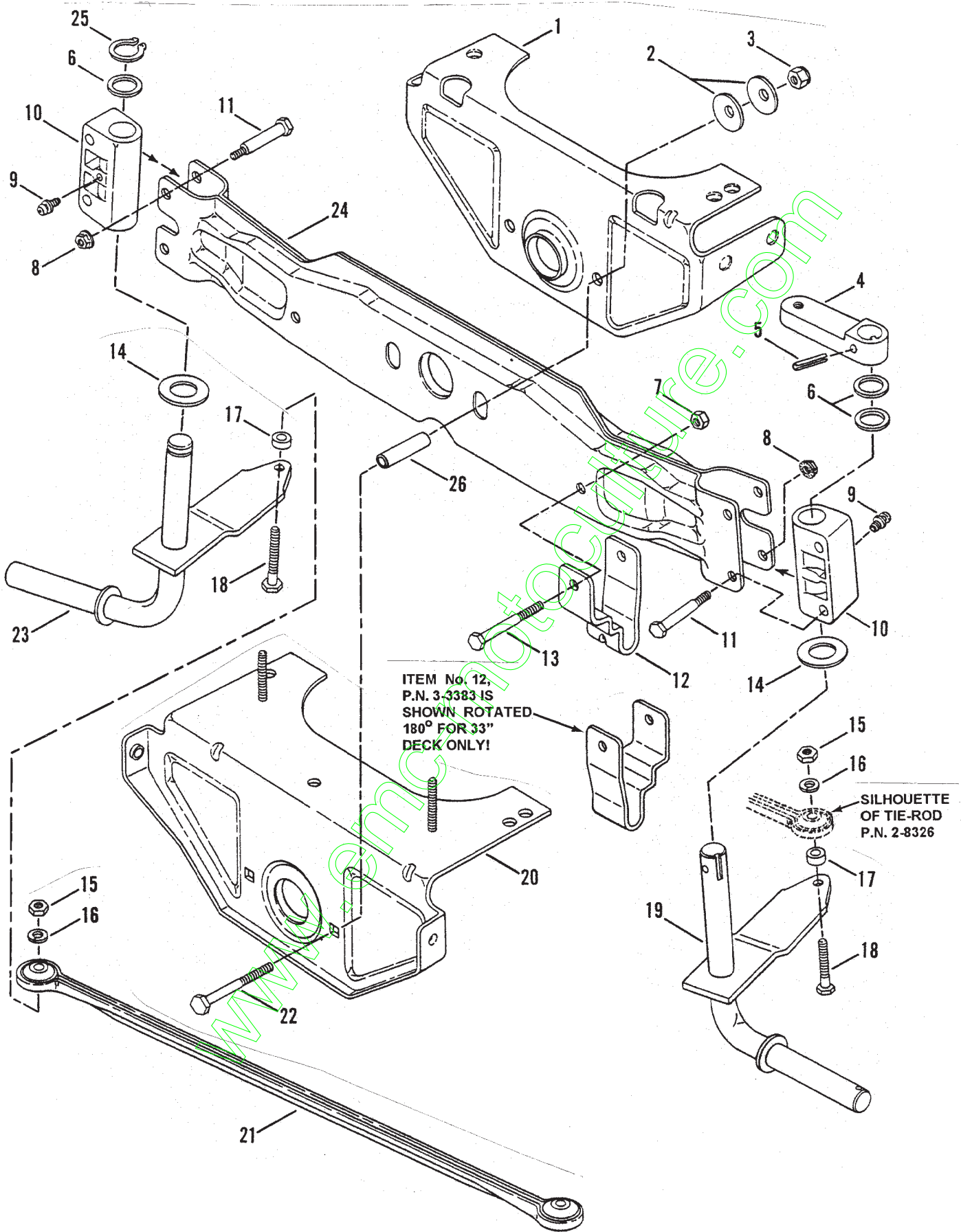
① ASSEMBLY



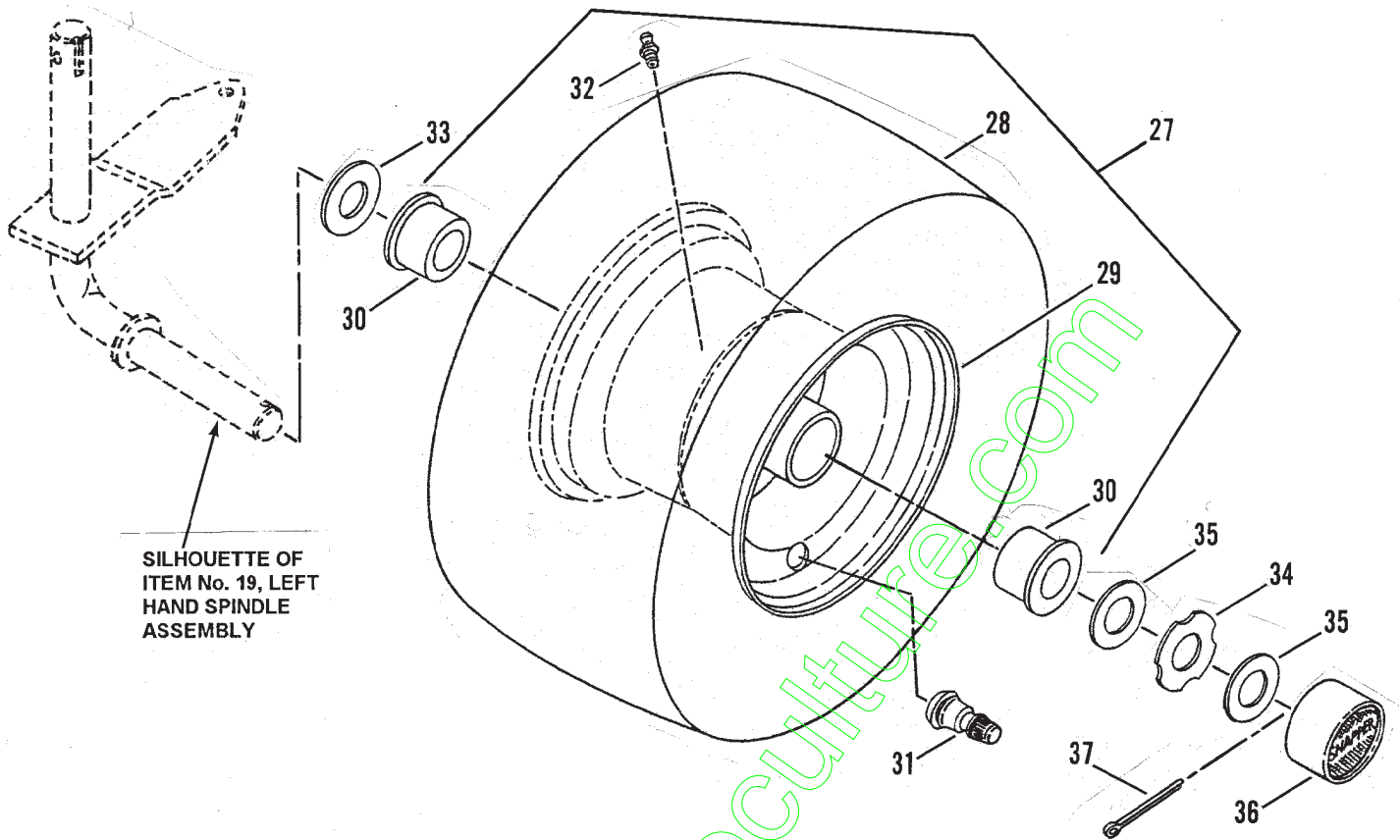
SEAT, REAR FENDER & COMPONENTS

ITEM	PART NO.	DESCRIPTION
1	5-2606	ASSEMBLY, Seat Support (Includes items 2, 3, 5, & 2 item 4)
2	1-7852	SUPPORT, Seat
3	2-3354	SWITCH, Seat
4	2-2759	SPRING (2)
5	1-7851	HOLDER, Cushion
6	1-9109	CUSHION, Seat (2)
7	1-7875	KNOB, Seat Adjustment (2)
8	9-1001	SCREW, 5/16-18 x 5/8" Truss Head, Torx (4)
9	9-0362	SCREW, 1/4-20 x 5/8" Hex Washer Head, Self-Tapping (4)
10	3-3314	PAN, Seat (Fender)
11	9-1761	RIV-NUT, 5/16-18 Round (2)
12	2-4905	DECAL - SNAPPER, 7.28" Molded Logo, White Letters & Stripe (Gear Drive Models)
--	2-2971	DECAL - SNAPPER, 7.28" Molded Logo, Silver Letters & Blue Stripe (Hydro Drive Models)
--	2-6228	DECAL - BLACKHAWK, Molded Logo (Models BH140H33BBV & BH140H38BBV)
13	2-6415	DECAL - CAUTION, Battery Location
14	3-4711	SUPPORT, Fender
15	9-1523	SCREW, 5/16/18 x 5/8" Hex Washer Head, Swage Form (2 ea. on Right Side & 2 ea. on Left Side for Gear Drive Models Only!) (2 ea. on Left Side for Hydro Drive Models Only!) (4)
16	9-1524	SCREW, 5/16-18 x 1 1/4" Hex Washer Head, Swage Form (Used on Right Side for Hydro Models Only!) (2)
17	9-1105	SCREW, #10-16 x 1/2" Hex Washer Head, Self-Tapping (4)
18	3-4420	DETENT, Shift (Gear Drive) (30" & 33" Models)
--	3-3120	DETENT, Shift (Hydro Drive) (ELT 33", 38", & 42" Models)
19	2-4894	COVER, Shift
20	2-9623	DECAL, Shift Cover, 5-Speed (Gear Drive) (30" & 33" Models)
--	1-6576	DECAL, Shift Cover, 5-Speed (Hydro Drive) (30", ELT 33", 38", & 42" Models)
21	9-1525	BOLT, 5/16-18 x 1/2" Hex Flange Lock (3)
22	3-3316	BRACKET, Seat Support
23	3-3435	ROD, Seat Hinge
24	9-1503	PIN, 3/32 x 1 1/2" Hair
25	1-7879	SEAT, Operator's (30" & 33" Models, LT120G30BB & LT125G33BB Only!)
--	7-1564	SEAT, Operator's (ELT125G33BB & All Domestic Hydro Models) (Model Year 1995)
--	2-8621	SEAT, Operator's (ELT125G33BB & ELT140H33BBV) (Model Year 1996)

FRONT AXLE & FRONT WHEEL PARTS



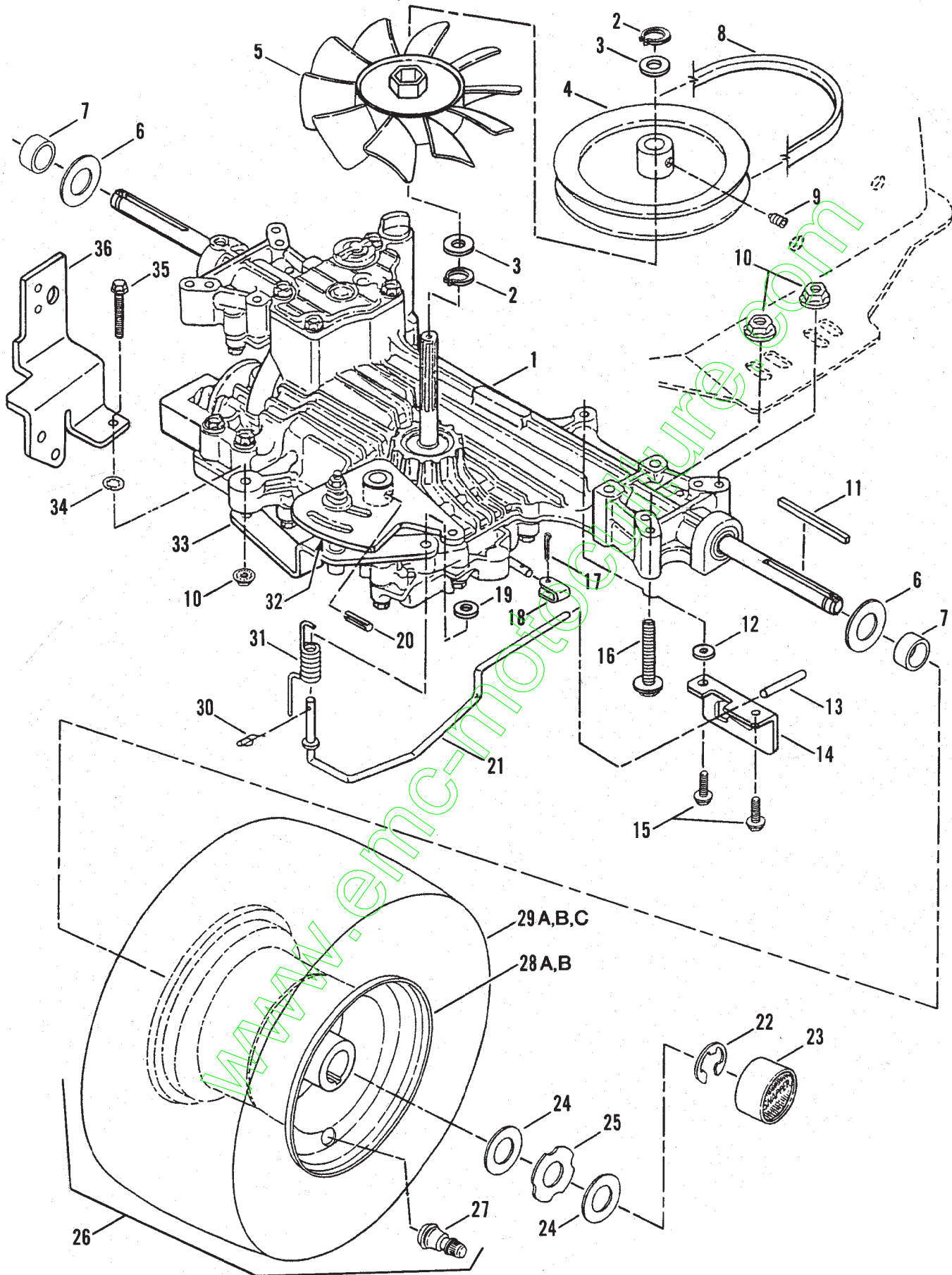
FRONT AXLE & FRONT WHEEL PARTS



SILHOUETTE OF
ITEM No. 19, LEFT
HAND SPINDLE
ASSEMBLY

ITEM	PART NO.	DESCRIPTION	ITEM	PART NO.	DESCRIPTION
1	3-3374	BRACKET, Axle (Rear)	21	2-8326	TIE-ROD
2	1-2063	WASHER, Cone (4)	22	9-0590	BOLT, 3/8-16 x 3" Hex Head (2)
3	7-6979	NUT, 3/8-16 Nyloc (2)	23	4-1245	SPINDLE ASSY., Right Hand, Long (For 13" Tires - 30" & 33" Decks)
4	1-9034	ARM, Steering	-	4-1251	SPINDLE ASSY., Right Hand, Short (For 15" Tires - 38" & 42" Decks)
5	9-0842	ROLL-PIN, 1/4 x 1 1/4"	24	4-0986	AXLE, Front
6	1-0935	WASHER, Shim (3)	25	1-0746	RING, Retaining
7	9-0184	NUT, 5/16-18 Center Lock (2)	26	2-6595	SPACER (2)
8	9-0477	NUT, 1/4-20 Hex Flg. Top-Lock (2)	27	5-2681	ASSEMBLY, Front Tire & Rim, 30" & 33" Decks (Includes items 28 thru 32)
9	1-3864	FITTING, Lube (2)	-	5-2957	ASSEMBLY, Front Tire & Rim, 38" & 42" Decks (Includes items 28 thru 32)
10	1-9467	BEARING, Spindle (2)	28	2-2773	TIRE, 13 x 5.00 (30" & 33" Decks)
11	2-2758	BOLT, 1/4-20 x 1 41/64" Shoulder (4)	-	2-6109	TIRE, 15 x 6.00 (38" & 42" Decks)
12	3-3383	BRACKET, Deck Hanger (2)	29	2-2772	RIM, 5.50 x 4.00
13	9-1046	SCREW, 5/16-18 x 2 1/2" Hex Head Cap (2)	30	1-4483	BEARING, Wheel (2)
14	3-1036	WASHER, Thrust (2)	31	1-2234	VALVE, Air (Snap-In)
15	9-1302	NUT, 3/8-16 Hex, Grade 5 (2)	32	1-3876	FITTING, Lube
16	9-1320	WASHER, 3/8 Split Lock (2)	33	3-4453	WASHER, Flat, .15 x .78 I.D. x 1.5" O.D.
17	2-4180	SPACER, Tie-Rod (2)	34	2-9618	WASHER, Hub-Cap Retaining
18	9-1497	SCREW, 3/8-16 x 1 1/2" Hex Head Cap, Grade 5 (2)	35	2-9617	WASHER, Flat, .07 x .77 I.D. x 1.31" O.D. (2)
19	4-1246	SPINDLE ASSY., Left Hand, Long (For 13" Tires - 30" & 33" Decks)	36	1-1022	HUB-CAP
-	4-1250	SPINDLE ASSY., Left Hand, Short (For 15" Tires - 38" & 42" Decks)	37	9-1516	COTTER-PIN, 5/32 x 1"
20	5-2490	BRACKET ASSEMBLY, Axle (Front)			

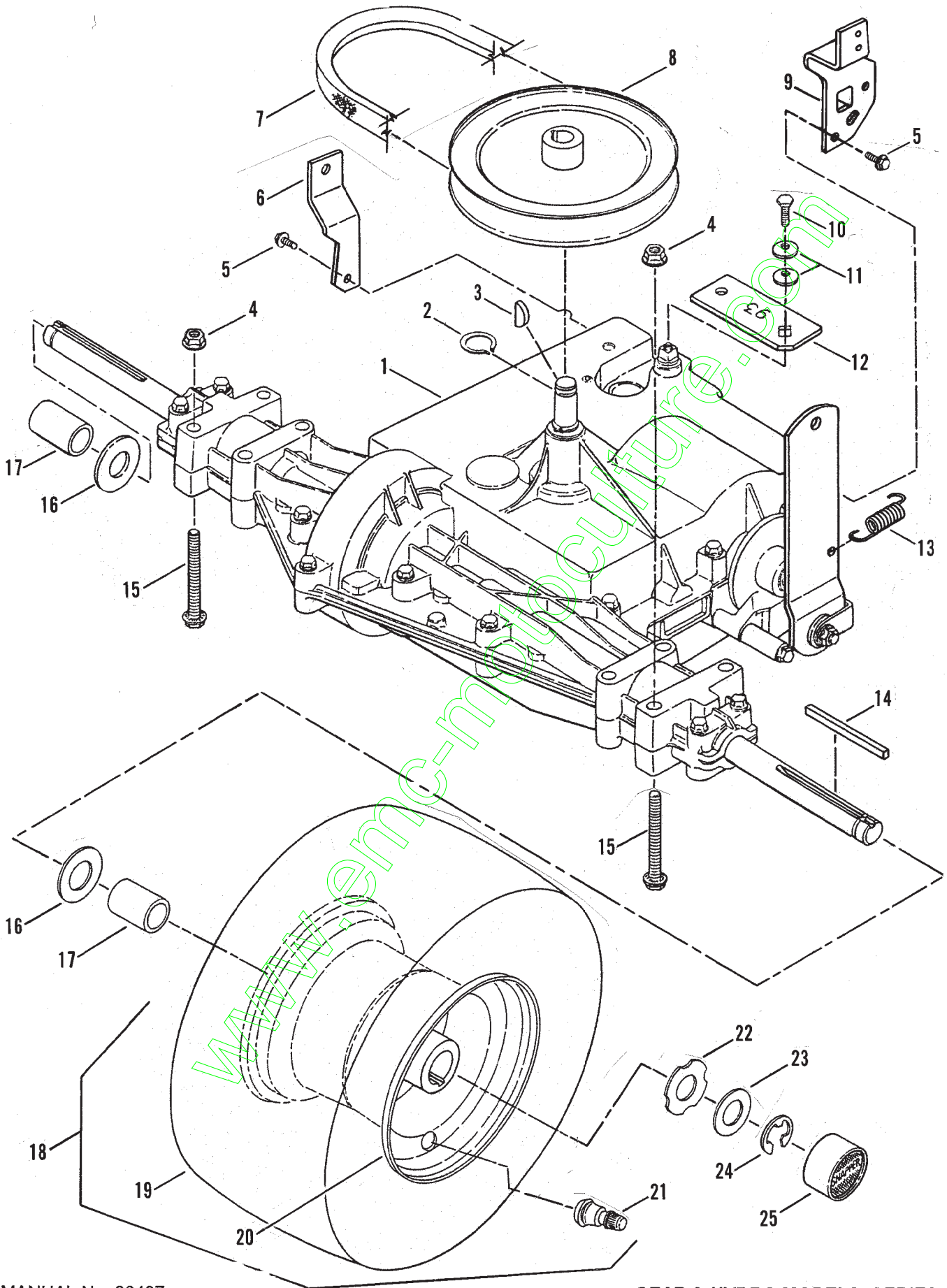
TRANSMISSION GROUP (Hydro Drive) & REAR WHEELS



TRANSMISSION GROUP (Hydro Drive) & REAR WHEELS

ITEM	PART NO.	DESCRIPTION
1	2-8083	TRANSAXLE, Hydro Drive, Tuff-Torq Model K50 (Models ELT140H33BBV, LT140H33BBV, LT140H38BBV, LT150H38BBV, & LT155H42BBV)
2	2-8078	RING, Retaining (2)
3	2-8084	WASHER, Fan/Hub (2)
4	2-8077	PULLEY, Drive
5	2-8076	FAN
6	3-4453	WASHER, Flat, .132 x .781 I.D. x 1.5 O.D. (2)
7	2-8049	SPACER (2)
8	2-8334	BELT, Traction Drive (Models LT140H33BBV, ELT140H33BBV, LT140H38BBV, LT150H38BBV, & LT155H42BBV) (Hydro Drive Only!) (Note: This Part No. used on Models LT140H33BBV & ELT140H33BBV Model Year 1995 Only!)
--	2-8585	BELT, Traction Drive (Models LT140H33BBV & ELT140H33BBV) (Model Year 1996)
9	9-1277	SETSCREW, 1/4-20 x 5/16" Locking
10	9-1601	NUT, 5/16-18 Hex Flange Lock (5)
11	1-7173	KEY, Square, 3/16 x 3/16 x 2 1/2" (2)
12	3-2070	WASHER, Flat, 3/4" O.D.
13	3-4137	GRIP, Roll Release
14	3-4139	DETENT, Roll Release
15	9-1284	SCREW, 3/8-16 x 1 3/4" Self-Tapping (2)
16	9-0702	BOLT, 5/16-18 x 2 1/4" Hex Flange Lock (4)
17	9-1516	COTTER-PIN, 5/32 x 1"
18	3-4154	LINK, Roll Release
19	9-1296	WASHER
20	3-4146	ROLL-PIN, Speed Control Arm
21	3-4140	WIREFORM, Roll Release
22	2-9738	RING, Retaining
23	1-1022	HUB-CAP
24	2-9617	WASHER, Flat, .07 x .77 I.D. x 1.31 O.D. (2)
25	2-9618	WASHER, Hub-Cap Retaining
26	5-2845	ASSEMBLY, Rear Tire & Rim (Models ELT140H33BBV & LT140H33BBV) (Includes items 27, 28A, & 29A)
--	5-2846	ASSEMBLY, Rear Tire & Rim (Model LT140H38BBV) (Includes items 27, 28B, & 29B)
--	5-3563	ASSEMBLY, Rear Tire & Rim (Models LT150H38BBV & LT155H42BBV) (Includes items 27, 28B, & 29C)
27	1-2234	VALVE, Air (Snap-in)
28A	2-4453	RIM, 8 x 5.375 (Models ELT140H33BBV & LT140H33BBV)
28B	2-4454	RIM, 8 x 7.00 (Models LT140H38BBV, LT150H38BBV, & LT155H42BBV)
29A	2-6112	TIRE, 18 x 7.50 (Models ELT140H33BBV & LT140H33BBV)
29B	2-6113	TIRE, 18 x 8.50 (Model LT140H38BBV)
29C	2-9589	TIRE, 18 x 9.50 (Models LT150H38BBV & LT155H42BBV)
30	3-4162	COTTER-PIN, 5/16 Self-locking
31	3-4155	SPRING, Torsion (Roll Release)
32	5-3386	ASSEMBLY, Speed Control/Friction (Includes Part No's. Listed Below)
--	4-1612	WELDMENT, Speed Control Arm
--	2-8036	SPRING
--	3-4192	STUD, Friction
--	9-0593	NUT, 3/8-16 Hex Flange Lock
--	9-1331	WASHER, .120 x .406 I.D. x 1.5 O.D. (2)
--	3-4267	WASHER, Friction Pad (2)
33	5-3380	SUPPORT, Friction Stud Assembly (Includes Part No's. Listed Below)
--	1-2306	BUSHING, Flange
--	3-4178	SUPPORT, Friction Stud
34	1-1791	RETAINER, 5/16 Bolt
35	9-1592	BOLT, 5/16-18 x 2" Hex Flange Lock
36	3-4400	BRACKET, Spool

TRANSMISSION GROUP (Gear Drive) & REAR WHEELS

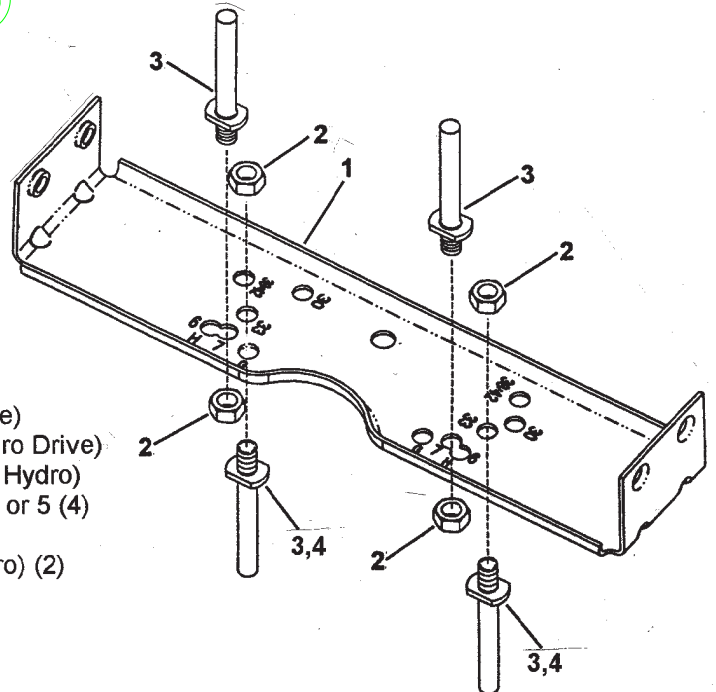


TRANSMISSION GROUP (Gear Drive) & REAR WHEELS

ITEM	PART NO.	DESCRIPTION
1	*205-514	TRANSAXLE, Gear Drive, Peerless Model MST205, 5-Speed (Models LT120G30BB, LT125G33BB, & ELT125G33BB)
2	1-2763	RING, Retaining
3	1-0211	KEY, Woodruff, 3/16 x 3/4", No. 9
4	9-1601	NUT, 5/16-18 Hex Flange Lock (4)
5	9-0361	SCREW, 5/16-18 x 5/8" Hex Washer Head, Self-Tapping (3)
6	3-3951	BRACKET, Torque
7	2-9641	BELT, Traction Drive (Models LT120G30BB, LT125G33BB, & ELT125G33BB) (Gear Drive Only!)
8	2-4831	PULLEY, Drive
9	3-4439	BRACKET, Axle/Spool
10	9-1165	BOLT, 1/4-28 x 5/8" Hex Head
11	9-0746	WASHER, Bellville (2)
12	3-3754	ARM, Shift Link Lever
13	2-2437	SPRING, Brake Return
14	1-7173	KEY, Square, 3/16 x 3/16 x 2 1/2" (2)
15	9-0702	BOLT, 5/16-18 x 2 1/4" Hex Flange Lock (4)
16	3-1036	WASHER, Flat (2)
17	2-4857	SPACER (2)
18	5-2845	ASSEMBLY, Rear Tire & Rim (Models LT120G30BB, LT125G33BB, & ELT125G33BB) (Includes items 19, 20, & 21)
19	2-6112	TIRE, 18 x 7.50 (Models LT120G30BB, LT125G33BB, & ELT125G33BB)
20	2-4453	RIM, 8 x 5.375 (Models LT120G30BB, LT125G33BB, & ELT125G33BB)
21	1-2234	VALVE, Air (Snap-in)
22	2-9618	WASHER, Hub-Cap Retaining
23	2-9617	WASHER, Flat, .07 x .77 I.D. x 1.31 O.D.
24	1-2705	RING, Retaining
25	1-1022	HUB-CAP

*VENDOR PART NUMBER

BELT GUIDE ASSEMBLY

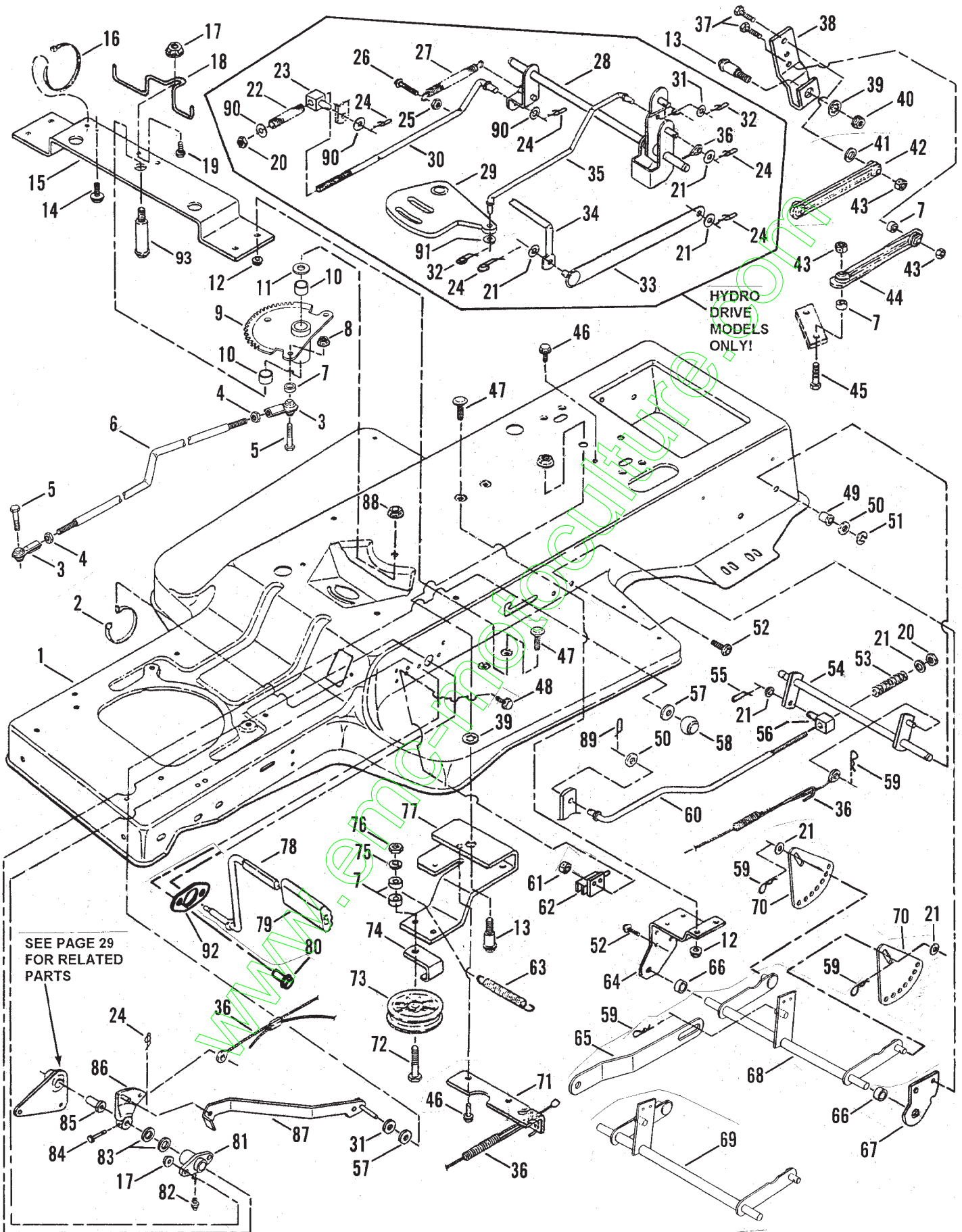


ITEM	PART NO.	DESCRIPTION
1	3-5963	BRACKET, Belt Guide (33" Gear Drive)
--	3-4320	BRACKET, Belt Guide (38" & 42" Hydro Drive)
--	3-4858	BRACKET, Belt Guide (30" Gear, 33" Hydro)
2	9-1575	NUT, 5/16-18 Hex Center Lock, Gr. B or 5 (4)
3	2-8303	STUD, Belt Guide, 2-7/8" L* (2 or 4)
4	2-8304	STUD, Belt Guide, 2-1/2" L* (33" Hydro) (2)

*Overall Length (including threads)

NOTE: ORDER COMPONENTS FOR BELT GUIDE BRACKET INDIVIDUALLY & ASSEMBLE FOR YOUR PARTICULAR MODEL. REFER TO ABOVE EXAMPLE, PAGE 19 DETAIL & THE BELT GUIDE ASSEMBLY ON YOUR TRACTOR.

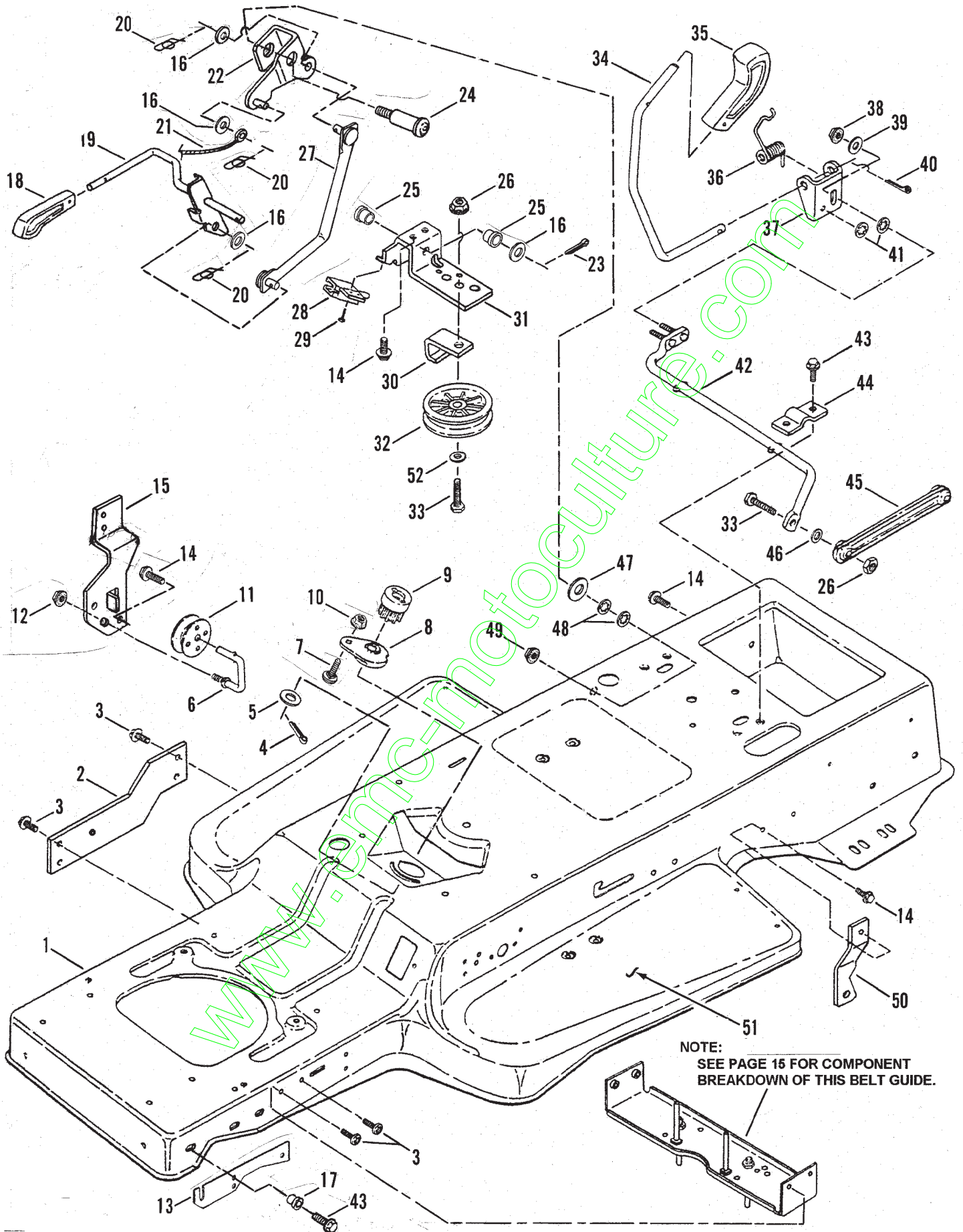
FRAME, CLUTCH, BRAKE & STEERING COMPONENTS



FRAME, CLUTCH, BRAKE & STEERING COMPONENTS

ITEM	PART NO.	DESCRIPTION	ITEM	PART NO.	DESCRIPTION
1	3-4705	FRAME, Tractor	52	9-1001	SCREW, 5/16-18 x 5/8" Truss Head (Torx) (5)
2	1-4451	TIE, Wire	53	2-4381	SPRING, Brake
3	2-7936	ROD END (2)	54	4-1347	WELDMENT, Brake Pivot
4	9-0482	NUT, 3/8-24 Hex Jam (2)	55	2-4874	PIN, 1/6 x 1 27/64" Cotter (Self-Locking)
5	9-0163	SCREW, 3/8-24 x 1 1/4" Hex Head Cap (2)	56	2-4586	SWIVEL, Brake Link
6	2-8420	LINK, Drag	57	2-3649	WASHER, 5/16 Nylon (2)
7	2-4180	SPACER (5)	58	2-8362	KNOB, Push/Pull
8	9-0613	NUT, 3/8-16 Hex Flange Lock	59	1-5067	PIN, 3/32 x 1 1/2" Hair (4)
9	5-3568	ASSEMBLY, Sector Gear (Includes item 10)	60	2-4430	ROD, Brake
10	1-2706	BEARING, Sector Gear (2)	61	9-0376	NUT, #10-32 Hex Nyloc (2)
11	3-1036	WASHER, 3/4 Thrust	62	2-3355	SWITCH
12	9-0583	NUT, 1/4-20 Hex Flange Lock (6)	63	2-4383	SPRING
13	2-2381	BOLT, 1/2-13 x 2" Hex Flng. Lk. (2)	64	3-3521	BRACKET, Rear Lift/PTO Lever
14	9-0913	SCREW, #10-24 x 1/2" S.T. (Torx)	65	3-4850	LINK, Lift (Models: LT140H38BBV, LT150H38BBV, & LT155H42BBV)
15	3-3627	BRACE, Sector Gear	--	3-4347	LINK, Lift (Models: LT125G33BB, ELT125G33BB, LT140H33BBV, & ELT140H33BBV)
16	1-2080	TIE, Cable	--	3-4386	LINK, Lift (Model: LT120G30BB)
17	9-0585	NUT, 5/16-18 Hex Flange Lock (3)	66	3-4384	SPACER (2)
18	2-8314	GUIDE, Drive Belt	67	3-3520	BRACKET, Deck Hang Pivot
19	9-0595	BOLT, 5/16-18 x 3/4" Hex Flng. Lk.	68	4-1256	WELDMENT, Rear Lift (Models: LT140H38BBV, LT150H38BBV, & LT155H42BBV)
20	9-1299	NUT, 3/8-16 Hex Nyloc	69	4-1249	WELDMENT, Rear Lift (Models: LT120G30BB, LT125G33BB, ELT125G33BB, ELT140H33BBV, & LT140H33BBV)
21	9-0122	WASHER, 3/8 Flat (7)	70	3-4377	PLATE, Lift Sector (2)
22	2-8091	SPRING, Brake	71	3-3595	EXTENSION, Idler Arm
23	2-8037	SWIVEL, Inline Brake	72	9-1560	SCREW, 3/8-16 x 2 1/4" Hex Head Cap
24	9-1593	PIN, 3/64 x 1 7/32" Cotter (Self-Lkg.)	73	2-3954	PULLEY
25	9-0184	NUT, 5/16-18 Hex Center Lock	74	3-3556	GUIDE, Pulley
26	9-1151	SCREW, 5/16-18 x 1 1/4" Self-Tapp.	75	9-1320	WASHER, 3/8 Split Lock
27	1-2264	SPRING	76	9-1302	NUT, 3/8-16 Hex
28	4-1589	WELDMENT, Brake Arm	77	3-3557	ARM, Idler (Traction Drive)
--	4-1703	WELDMENT, Brake Arm (LT140H33BBV & ELT140H33BBV) (Model Year 1996)	78	2-2743	PEDAL, Park Brake
29	4-1612	ARM, Transmission Speed Control	79	1-2661	PAD, Pedal
30	2-8034	ROD, Brake	80	9-1000	SCREW, 3/8-16 x 7/8" Truss Head (Torx) (2)
31	9-0188	WASHER, 5/16 Flat	81	5-2431	ASSEMBLY, Foot Shaft Pivot (Includes item 82)
32	3-4162	PIN, 5/16 Cotter, Self-locking (2)	82	1-4871	FITTING, Lube
33	4-1590	WELDMENT, Shift Link	83	1-5992	WASHER, 5/8 Flat (2)
34	5-2920	ASSEMBLY, Shift Lever (Lower)	84	2-3645	PIN, 3/16 x 1 1/2" Clevis
35	3-4159	LINK, Speed	85	2-2742	BEARING, Flange
--	3-4704	LINK, Speed (LT140H33BBV & ELT140H33BBV) (Model Year 1996)	86	4-1236	ASSEMBLY, Clutch Brake Arm
36	2-4115	ASSEMBLY, Clutch/Brake Cable	87	4-1244	LATCH, Park Brake
37	9-0143	SCREW, 3/8-16 x 1 1/4" H. H. C. (2)	88	9-0975	NUT, 1/2-13 Hex Center Lock
38	3-3555	BELLCRANK, Shift Lever	89	9-1594	PIN, 1/16 x 1 27/64 Cotter (Self-Locking)
39	9-0509	WASHER, 1/2 Internal Tooth Lk. (2)	90	9-1514	WASHER, 3/8 Flat
40	9-0619	NUT, 1/2-13 Hex Flange Lock (2)	91	9-1296	WASHER, 11/32" Flat Grade 5
41	9-0118	WASHER, 3/8 Split Lock (2)	92	4-6778	WASHER, Pivot- Stiffener
42	2-4286	LINK, Shift Lever	93	2-4604	BOLT, Shoulder 1/2-13x3 7/8"
43	9-1585	NUT, 3/8-16 Hex Center Lock (3)			
44	2-5041	LINK, Shift Lever (Twisted)			
45	9-1497	SCREW, 3/8-16 x 1 1/2" H. H. C.			
46	9-0361	SCREW, 5/16-18 x 5/8" Self-Tap (3)			
47	9-0803	BOLT, 1/4-20 x 5/8" Carriage (6)			
48	9-1240	SCREW, #10-32 x 5/8" H. W. H. (2)			
49	1-1016	BEARING, Nylon (2)			
50	9-1587	WASHER, 1/2 Flat			
51	1-4341	RING, 1/2" External Retaining (2)			

BLADE ENGAGEMENT & TRANSMISSION CONTROLS

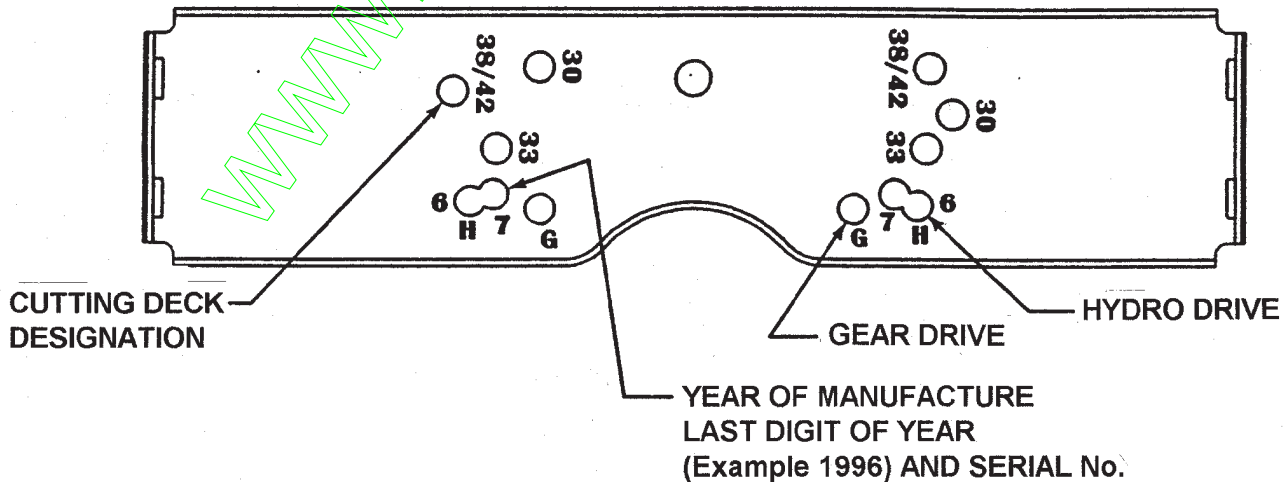


BLADE ENGAGEMENT & TRANSMISSION CONTROLS

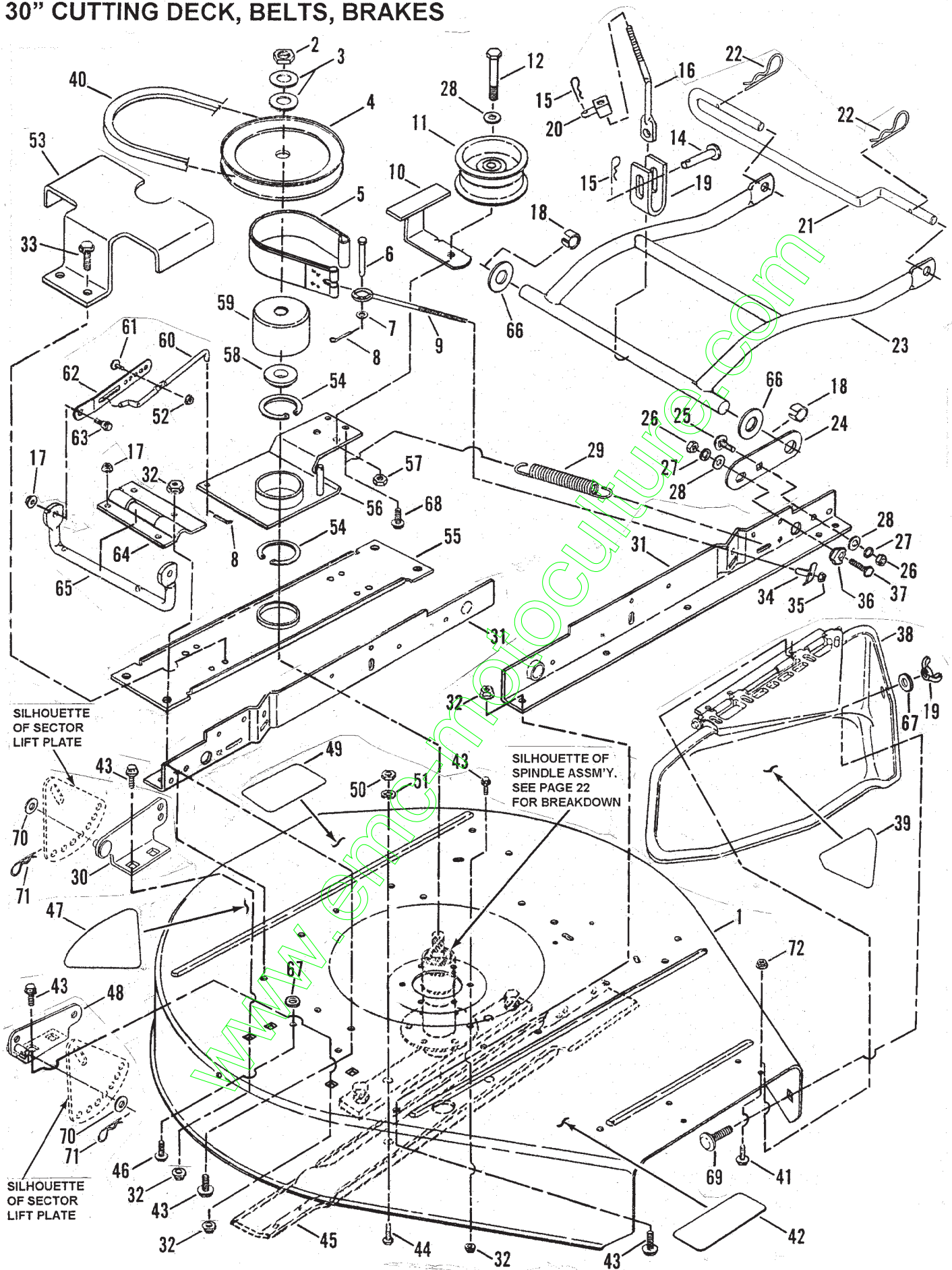
ITEM	PART NO.	DESCRIPTION	ITEM	PART NO.	DESCRIPTION
1	3-3301	FRAME, Tractor	29	9-0913	SCREW, #10-24 x 1/2" Self-Tapp. (2)
2	3-4842	BRACE, Frame (2)	30	3-3556	GUIDE, Belt
3	9-1001	SCREW, 5/16-18 x 5/8" Truss Head (Torx) (13)	31	3-4332	SUPPORT, PTO Lever
4	9-1598	PIN, 1/8 x 3/4" Cotter	32	2-4344	PULLEY
5	1-4296	WASHER, 1/2 Shim (2)	33	9-1497	SCREW, 3/8-16 x 1 1/2" Hex Hd. Cap
6	2-9600	ROD, Spool Pivot	34	2-3957	LEVER, Shift
7	9-1584	NUT, 1/4-20 Hex Flange Lock	35	2-3656	KNOB, Deck Lift Lever
8	5-2562	ASSEMBLY, Steering Adjuster	36	2-4069	SPRING, Shift Lever
9	2-2368	GEAR, Steering Pinion	37	3-3541	BRACKET, Shift Lever (Upper)
10	9-1573	BOLT, 1/4-20 x 5/8" Short Neck Carriage	38	7-6978	NUT, 1/4-20 Hex Flange Lock
11	2-3182	SPOOL	39	9-0055	WASHER, 1/4 Flat
12	9-0585	NUT, 5/16-18 Hex Flange Lock	40	9-0364	PIN, 5/32 x 1" Cotter
13	3-3488	BRACKET, Hood Pivot	41	9-1023	WASHER, 1/4 Internal Tooth Lock (2)
14	9-0361	SCREW, 5/16-18 x 5/8" Self-Tap. (4)	42	5-2920	ASSEMBLY, Shift Lever (Lower)
15	3-4439	BRACKET, Axle/Spool	43	9-1151	SCREW, 5/16-18 x 1 1/4" Self-Tap. (4)
16	9-0122	WASHER, 3/8 Flat (3)	44	3-3554	CLIP (2)
17	2-4616	BUSHING, Flange (2)	45	2-4286	LINK, Shift Lever
18	2-3657	KNOB, Deck Engagement	46	2-4180	SPACER
19	4-1619	WELDMENT, PTO Lever	47	3-1036	WASHER, Thrust
20	2-4159	PIN, 3/64 x 1 7/32" (Self-Locking) (3)	48	9-0509	WASHER, 1/2 Internal Tooth Lock (2)
21	2-8366	CABLE, Blade (Models: LT120G30BB, LT125G33BB, ELT125G33BB, & LT140H33BBV)	49	9-0619	NUT, 1/2-13 Hex Flange Lock
	2-9152	CABLE, Blade (Mods: ELT140H33BBV, & LT140H33BBV)	50	3-3951	BRACKET, Torque (Gr. Dr. Mdls. Only!)
	2-8367	CABLE, Blade (Models: LT140H38BBV & LT150H38BBV)	51	2-4455	PAD, Foot Sandpaper (Models: LT120G30BB, LT125G33BB, & ELT125G33BB)
	2-8368	CABLE, Blade (Model: LT155H42BBV)		2-8203	PAD, Foot, Rubber Deluxe (Models: LT140H33BBV, ELT140H33BBV, LT140H38BBV, LT150H38BBV, & LT155H42BBV)
22	4-1238	WELDMENT, PTO Bellcrank	52	9-1514	WASHER, 3/8 Flat
23	9-0037	PIN, 3/32 x 3/4" Cotter			
24	2-4518	BOLT, 1/2-13 x 2 11/32" Shoulder			
25	1-3321	BUSHING (2)			
26	9-1585	NUT, 3/8-16 Hex Center Lock			
27	4-1237	ROD, PTO Link			
28	2-3355	SWITCH			

DECALS NOT SHOWN
 (Shipped Loose in Bag)
 P/N 2-2840, P/N 2-2841
 P/N 2-3008, P/N 2-3009
 P/N 2-6250, P/N 2-6251
 P/N 2-6252, P/N 2-6253
 P/N 2-6254, P/N 2-6255

TOP VIEW OF BELT GUIDE BRACKET, Part No. 3-5963 (see page 15)
 (Cutting Deck, Drive and Year of Manufacture Designations Imprinted in Bracket as shown)



30" CUTTING DECK, BELTS, BRAKES



30" CUTTING DECK, BELTS, BRAKES

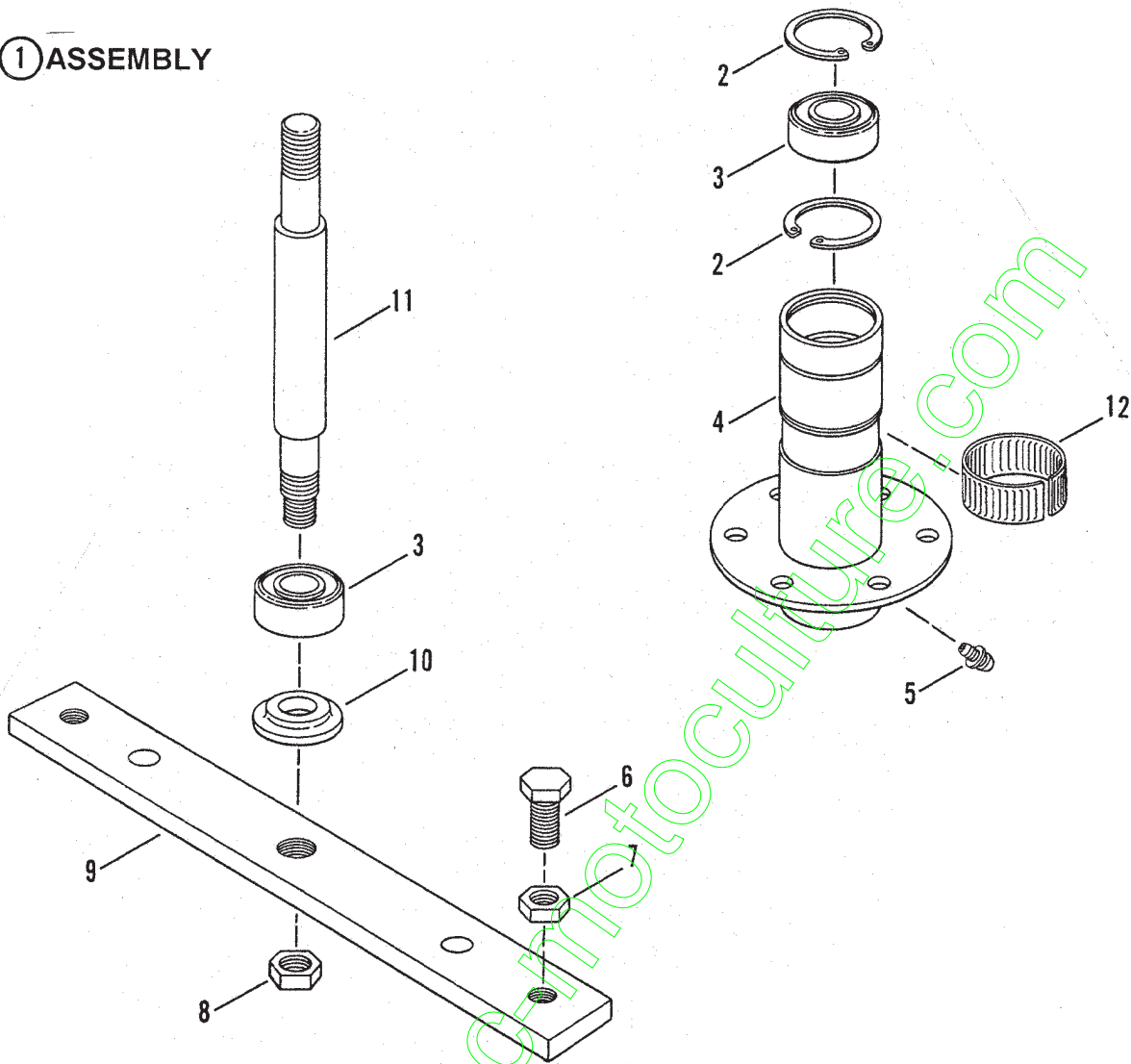
ITEM	PART NO.	DESCRIPTION	ITEM	PART NO.	DESCRIPTION
1	5-3689	DECK, 30" Cutting (Includes items 42 & 49)	39	1-3010	DECAL - DANGER (Cut Finger)
2	1-0027	NUT, 3/4-16 Hex Jam	40	2-2786	BELT, Drive, 30" Cutting Deck
3	3-2027	WASHER, Flat (2)	41	9-1525	BOLT, 5/16-18 x 1/2" Hex Flange Lock (2)
4	2-2715	PULLEY, Spindle, 6 1/2" O.D.	42	1-4852	DECAL - CAUTION
5	5-2886	ASSEMBLY, Brake Band	43	9-0612	BOLT, 3/8-16 x 3/4" Hex Flange Lock (17)
6	1-4304	PIN, 1/4 x 1 1/4" Clevis	44	9-0392	SCREW, 1/2-20 x 1" Hx. Hd. Cap (2)
7	9-0055	WASHER, Flat	45	1-8069	BLADE, 30" Cutting Deck
8	9-0037	COTTER-PIN, 3/32 x 3/4" (2)	46	9-0595	BOLT, 5/16-18 x 3/4" Hx. Flg. Lk. (2)
9	2-2879	BOLT, 1/4-20 Eye	47	2-3997	DECAL, 30"
10	4-1487	GUIDE, Belt	48	4-1252	BRACKET, Rear Deck Lift, Right Side
11	2-7717	PULLEY, Idler, 3 1/4" O.D.	49	1-6973	DECAL - CAUTION, Rotating Blades
12	9-1553	SCREW, 3/8-16 x 1 3/4" Hx. Hd. Cap	50	9-0559	NUT, 1/2-20 Hex Jam (2)
13	3-3938	BRACKET, Front Lift Hanger	51	9-0509	WASHER, 1/2 Internal Tooth Lock (2)
14	1-3460	PIN, 3/8 x 1 1/2" Clevis	52	9-0583	NUT, 1/4-20 Hex Flange Lock (2)
15	9-1503	PIN, Hair, 3/32 x 1 19/32" (2)	53	3-3918	GUIDE, Belt
16	2-6639	ROD, Front Lift	54	1-0740	RING, Retaining (2)
17	9-0585	NUT, 5/16-18 Hex Flange Lock (2)	55	3-8018	BRACE, Spindle
18	1-2067	RING, Front Lift Arm (2)	56	4-1311	ARM, Idler
19	9-0492	NUT, 5/16-18 Wing	57	9-1585	NUT, 3/8-16 Hex Center Lock
20	2-9694	SWIVEL, Brake	58	1-4407	WASHER, Spindle
21	2-7471	PIN, Front Deck Hanger	59	3-2169	DRUM, Brake
22	9-1596	PIN, .148 x 2.62" Hair (2)	60	2-4192	ROD, Link, Clutch/Brake
23	4-1141	LIFT, Front Arm	61	9-0584	BOLT, 1/4-20 x 1/2" Hex Flg. Lock
24	3-2432	LINK, Adjustment	62	3-3586	BRACKET, Link, Clutch/Brake
25	9-0850	BOLT, 3/8-16 x 3/4" Carriage	63	1-5761	SCREW, 5/16-18 x 3/4" Shoulder
26	9-0130	NUT, 3/8-16 Hex (2)	64	3-3578	BRACKET, Pivot Arm
27	9-0118	WASHER, 3/8 Split Lock (2)	65	2-4183	ARM, Pivot
28	9-0122	WASHER, Flat, 3/8 SAE (3)	66	3-2027	WASHER, Flat (2)
29	1-2264	SPRING, Clutch & Brake	67	9-0188	WASHER, 5/16 Flat (3)
30	4-1258	BRACKET, Rear Deck Lift, Left Side	68	9-0368	SCREW, 5/16-18 x 3/4" Self-Tapping
31	3-3499	RAIL, 30" Cutting Deck (2)	69	9-1508	BOLT, 5/16-18 x 3/4" Short Neck Carriage
32	9-0613	NUT, 3/8-16 Hex Flange Lock (17)	70	9-1514	WASHER, Flat, .41 I.D. x .81 O.D. (2)
33	9-0361	SCREW, 5/16-18 x 5/8" S.T. (2)	71	9-1503	PIN, .093 x 1.50" Hair (2)
34	1-4303	T-NUT, 1/4-20 Thread	72	9-1601	NUT, 5/16-18 Hex Flange Lock
35	9-0063	NUT, 1/4-20 Hex			
36	1-5012	ECCENTRIC, Leveling			
37	9-0563	SCREW, 3/8-16 x 1" Hex Hd. Cap			
38	5-2553	ASSEMBLY, Deflector (Includes item 39)			

NOTE: 30" CUTTING DECK USED ON MODEL LT120G30BB ONLY! FOR ORDERING COMPLETE CUTTER UNIT ASSEMBLY, ORDER KIT No. 6-1415.

<p>AIR LIFT KIT P.N. 6-0735 AVAILABLE FOR 30" CUTTING DECK INCLUDES:</p> <p>(2 ea.) P.N. 3-1724 AIR LIFTS</p> <p>(6 ea.) P.N. 9-0228 SCREWS</p> <p>(6 ea.) P.N. 9-0391 WASHERS</p> <p>(6 ea.) P.N. 9-0223 NUTS</p> <p style="text-align: center;">(NOT SHOWN)</p>
--

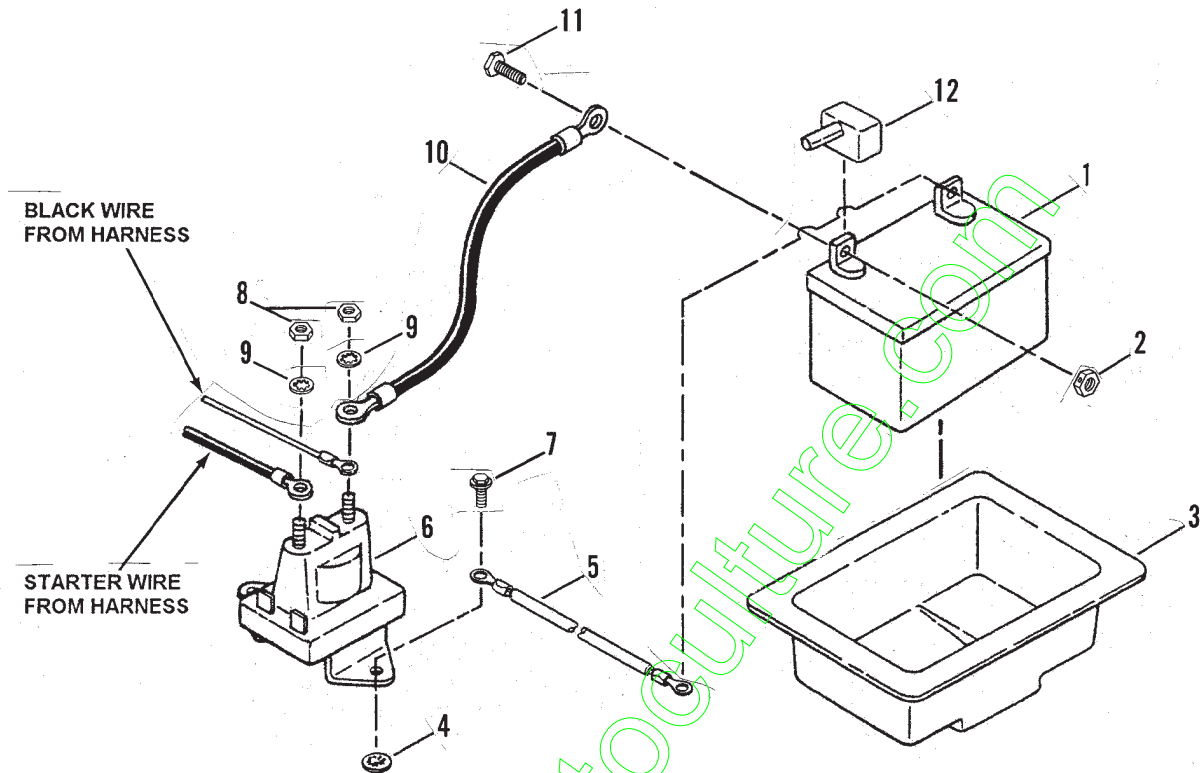
SPINDLE - 30" CUTTING DECK

① ASSEMBLY



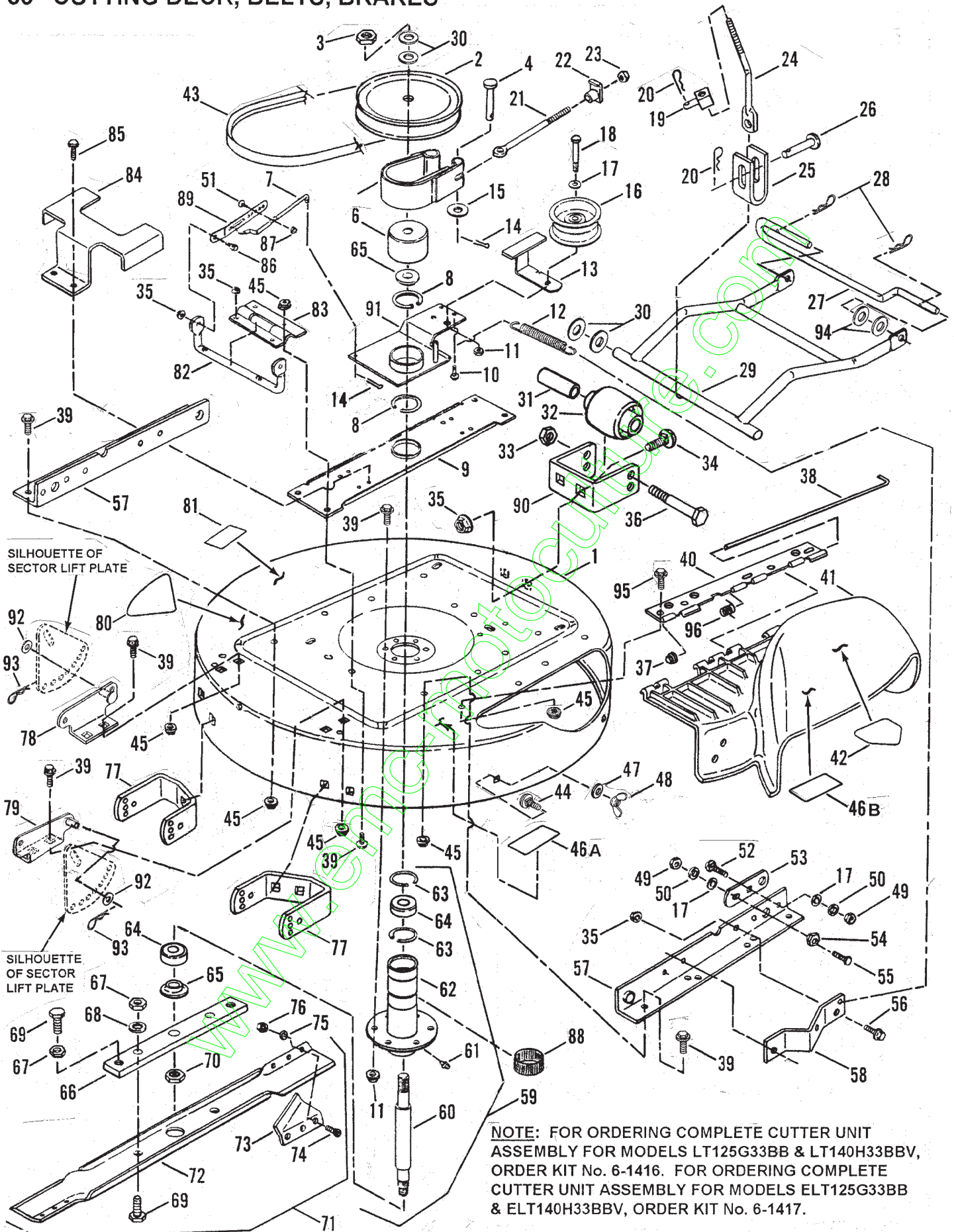
ITEM	PART NO.	DESCRIPTION
1	5-2917	ASSEMBLY, Spindle Housing, 30" Cutting Deck (Model LT120G30BB) (Includes items 2 thru 11)
2	1-2491	RING, Retaining (2)
3	1-3313	BEARING, Spindle (2)
4	5-2294	HOUSING, Spindle (Includes item 5)
5	1-0817	FITTING, Lube
6	9-0392	SCREW, 1/2-20 x 1" Hex Head Cap, Grade 5 (2)
7	9-0559	NUT, 1/2-20 Hex Jam (2)
8	9-0356	NUT, 5/8-18 Hex Lock
9	3-7751	HOLDER, Blade
10	1-4407	WASHER, Spindle
11	2-4687	SPINDLE
12	1-2670	RING, Tolerance

ELECTRICAL COMPONENTS



ITEM	PART NO.	DESCRIPTION
1	6-0618	KIT, Battery (Includes Decal P.N. 1-6134 & Battery Without Acid)
2	9-0372	NUT, 1/4-20 Hex Center Lock (2)
3	1-7853	TRAY, Battery
4	1-2485	RETAINER, Screw
5	2-6414	CABLE, Ground (Black)
6	1-8604	SOLENOID
7	9-0539	SCREW, 1/4-20 x 1/2" Self-Tapping (2)
8	9-0977	NUT, 1/4-20 Hex Jam (2)
9	9-1314	WASHER, 1/4 Internal Tooth Lock (2)
10	1-4476	CABLE, Positive (Red)
11	2-7172	SCREW, 1/4-20 x 5/8" Hex Head Cap (2)
12	1-2444	COVER, Positive Terminal

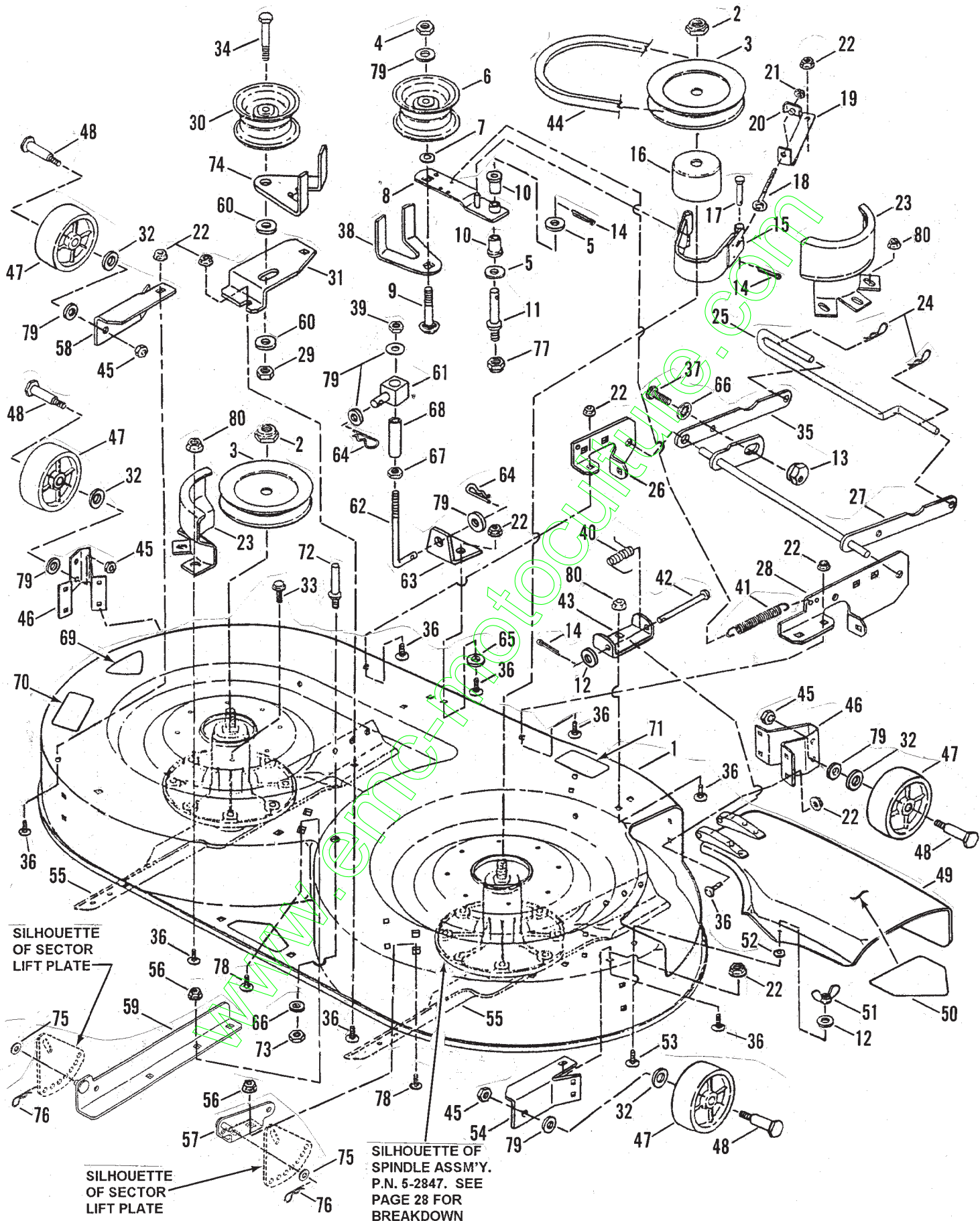
33" CUTTING DECK, BELTS, BRAKES



33" CUTTING DECK, BELTS, BRAKES

ITEM	PART NO.	DESCRIPTION	ITEM	PART NO.	DESCRIPTION
1A	5-3690	ASSEMBLY, Deck, 33" Cutting (Includes items 46A & 81) (Mdl's. LT125G33BB & LT140H33BBV)	48	9-0492	NUT, 5/16-18 Wing
1B	5-3693	ASSEMBLY, Deck, 33" Cutting (Includes items 46B & 81) (Models: ELT125G33BB & ELT140H33BBV)	-	9-1511	NUT, 5/16-18 Hex, Grade 5 (Euro Models Only!)
2	2-6558	PULLEY, Spindle, 7" O.D.	49	9-0130	NUT, 3/8-16 Hex (2)
3	1-0027	NUT, 3/4-16 Hex Jam	50	9-0118	WASHER, 3/8 Split Lock (2)
4	1-4304	PIN, 1/4 x 1 1/4" Clevis	51	9-0584	BOLT, 1/4-20 x 1/2" Hex Flange Lock
5	5-2886	ASSEMBLY, Brake Band	52	9-0850	BOLT, 3/8-16 x 3/4" Carriage
6	3-2169	DRUM, Brake	53	3-2432	LINK, Adjustment
7	2-4192	ROD, Link, Clutch/Brake	54	1-5012	ECCENTRIC, Leveling
8	1-0740	RING, Retaining (2)	55	9-0563	SCREW, 3/8-16 X 1" Hex Head Cap
9	3-8018	BRACE, Spindle	56	9-0721	BOLT, 5/16-18 x 1/2" Hex Flange Lock (4)
10	9-0368	SCREW, 5/16-18 x 3/4" Self-Tapping	57	3-8453	RAIL, Side (2)
11	9-1585	NUT, 3/8-16 Hex Center Lock	58	3-3952	ANCHOR, Brake
12	1-2264	SPRING, Clutch & Brake	59	5-2917	ASSEMBLY, Spindle (Includes items 60 thru 70)
13	4-1487	GUIDE, Belt	60	2-4687	SPINDLE
14	9-0037	COTTER-PIN, 3/32 x 3/4" (2)	61	1-0817	FITTING, Lube
15	9-0055	WASHER, Flat	62	5-2294	HOUSING, Spindle (Incl. item 61)
16	2-7717	PULLEY, Idler, 4" O.D.	63	1-2491	RING, Retaining (2)
17	9-0122	WASHER, 3/8 SAE Flat (3)	64	1-3313	BEARING, Spindle (2)
18	9-1553	SCREW, 3/8-16 x 1 3/4" Hx. Hd. Cap.	65	1-4407	WASHER, Spindle (2)
19	2-9694	SWIVEL, Brake	66	3-7751	HOLDER, Blade
20	1-2431	PIN, 1/4 x 1 1/8" Hair (2)	67	9-0559	NUT, 1/2-20 Hex Jam (4) (2 in assembly)
21	2-6677	BOLT, 1/4-20 Eye	68	9-0509	WASHER, 1/2 Int. Tooth Lock (2)
22	1-4303	NUT, 1/4-20 Tee	69	9-0392	SCREW, 1/2-20 Hex Head Cap (4) (2 in assembly)
23	9-0063	NUT, 1/4-20 Hex	70	9-0356	NUT, 5/8-18 Hex Lock
24	2-6639	ROD, Front Lift	71	5-7482	ASSEMBLY, Blade & Air Lift (Includes items 72 thru 76)
25	3-3938	BRACKET, Front Lift Hanger	72	1-9523	BLADE, 33" Cutting Deck
26	1-3460	PIN, 3/8 x 1 1/2" Clevis	73	3-7723	AIR-LIFT (2)
27	2-7471	PIN, Front Deck Hanger	-	3-4468	AIR-LIFT (2) (Euro Models Only!)
28	9-1596	PIN, Hair, .148 x 2.62" (2)	74	9-0228	SCREW, 5/16-24 x 11/16" Machine (6)
29	4-1495	LIFT, Front Arm	75	9-0391	WASHER, 5/16 Int. Tooth Lock (6)
30	3-2028	WASHER, Flat (4)	76	9-0223	NUT, 5/16-24 Hex (6)
31	1-5272	SPACER (3)	77	3-3571	BRACKET, Gage Wheel (Rear) (2)
32	1-9190	WHEEL, Gage (3)	78	4-1258	BRACKET, Rear Deck Lift, Left Side
33	9-1600	NUT, 3/8-24 Hex Center Lock (3)	79	4-1252	BRACKET, Rear Deck Lift, Right Side
34	9-0004	BOLT, 5/16-18 x 1/2" Short Neck Carriage (6)	80	2-2991	DECAL, 33" Hi-Vac
35	9-0585	NUT, 5/16-18 Hex Flange Lock (9)	81	1-6973	DECAL - CAUTION (Rotating Blades)
36	9-1532	SCREW, 3/8-24 x 3 3/4" Hex Head Cap, Grade 5 (3)	82	2-4183	ARM, Pivot
-	5-2555	ASSEMBLY, Deflector (Includes items 37, 38, 40, 41, 42, & 96)	83	3-3578	BRACKET, Pivot Arm
37	2-6483	PAL-NUT, 1/4 Hex	84	3-3926	GUIDE, Belt
38	2-6234	PIN, Hinge	85	9-0361	SCREW, 5/16-18 x 5/8" Self-Tap. (2)
39	9-0612	BOLT, 3/8-16 x 3/4" Hx. Flge. Lk. (15)	86	1-5761	SCREW, 5/16-18 x 3/4" Shoulder
40	3-3780	HINGE, Deflector	87	9-0583	NUT, 1/4-20 Hex Flange Lock
41	2-6233	DEFLECTOR, Discharge	88	1-2670	RING, Tolerance
42	2-6831	DECAL, Danger (Cut Finger)	89	3-3586	BRACKET, Link, Clutch/Brake
43	2-6546	BELT, Drive, 33" Cutting Deck	90	3-3570	BRACKET, Gage Wheel (Front)
44	9-1508	BOLT, 5/16-18 x 3/4" Short Neck Carriage, Grade 5	91	4-1311	ARM, Idler
45	9-0613	NUT, 3/8-16 Hex Flange Lock (18)	92	9-1514	WASHER, Fl., .406 I.D. x .812 O.D. (2)
46A	1-4852	DECAL - CAUTION, Deflector (Models LT125G33BB & LT140H33BBV)	93	9-1503	PIN, Hair, .093 x 1.50" (2)
46B	2-2841	DECAL - CAUTION, Deflector (Models ELT125G33BB & ELT140H33BBV)	94	9-1587	WASHER, Flat (2)
47	9-1296	WASHER, 5/16 Flat (2)	95	9-1588	BOLT, 3/8-16 x 3/4" Hex Flange Lock, Grade 5 (3)
			96	1-6341	SPRING, Hinge

38" CUTTING DECK, BELTS, BRAKES



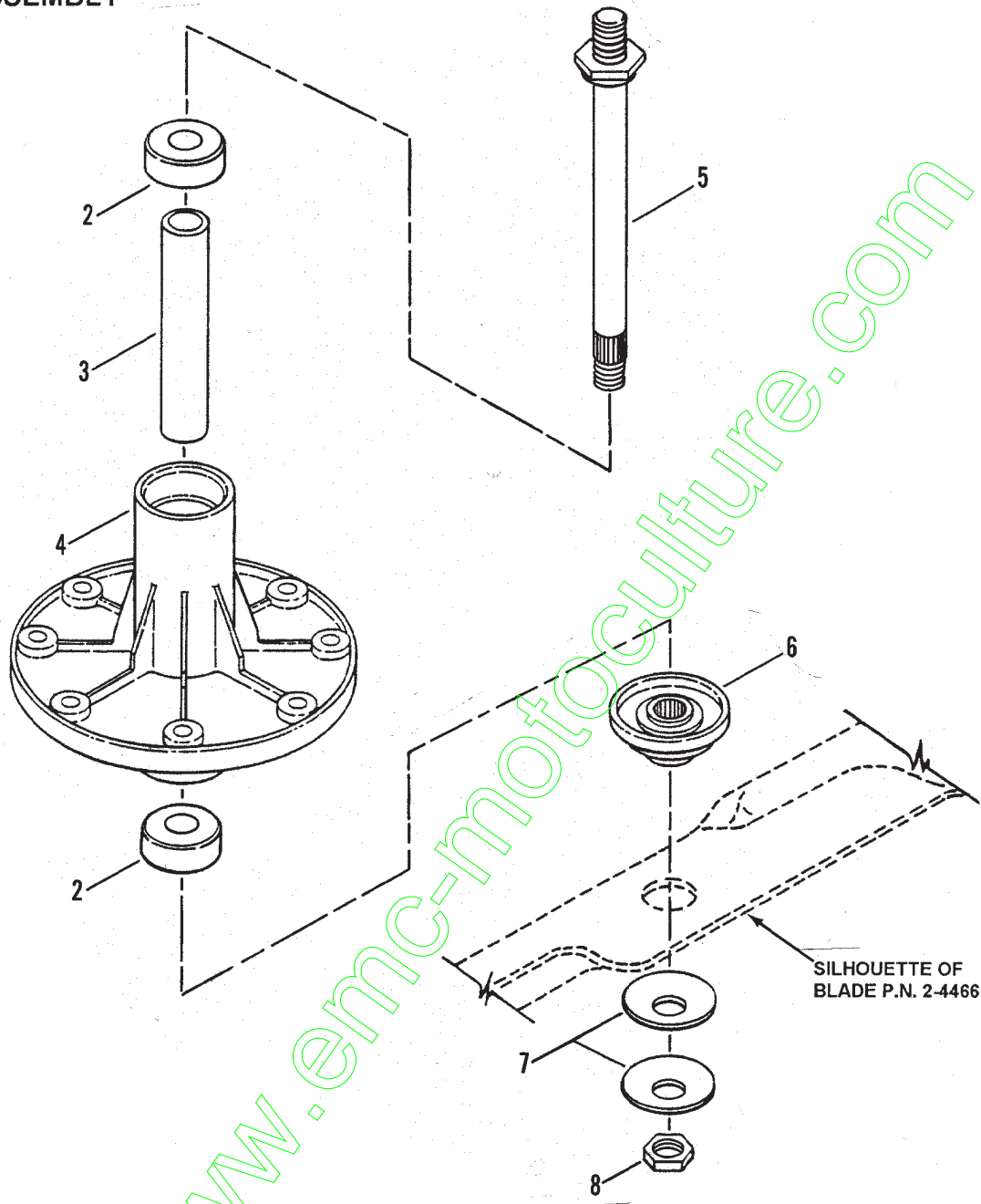
38" CUTTING DECK, BELTS, BRAKES

ITEM	PART NO.	DESCRIPTION	ITEM	PART NO.	DESCRIPTION
1	5-3691	ASSEMBLY, Deck, 38" Cutting (Includes items 70 & 71)	42	2-6161	PIN, 5/16 x 3 3/16" Clevis
2	9-1006	NUT, 5/8-16 Hex Nyloc (2)	43	2-6750	HINGE, Chute Deflector
3	2-7792	PULLEY, Spindle (2)	44	2-5042	BELT, Drive, 38" Cutting Deck
4	7-6979	NUT, 3/8-16 Hex Nyloc (2)	45	9-0289	NUT, 3/8-24 Hex Lock (4)
5	9-0122	WASHER, 3/8 Flat (2)	46	3-3756	BRACKET, Gage Wheel, Front (2)
6	2-4725	PULLEY, Idler	47	2-6122	WHEEL, Gage (4)
7	1-3847	RETAINER, 3/8 Bolt	48	9-1526	BOLT, 3/8-24 Shoulder (4)
8	4-1392	ARM, Idler Pulley	49	5-3226	ASSEMBLY, Chute Deflector (Includes 1 each item 12 & 14, & items 40, 42, 43, & 50)
9	9-0738	BOLT, 3/8-16 x 2 3/4" Short Neck Carriage, Grade 5	50	2-6831	DECAL, Danger
10	1-2306	BUSHING, Flange (2)	51	9-0492	NUT, 5/16-18 Wing
11	2-6618	STUD, Idler	52	1-1791	RETAINER, 5/16 Bolt
12	9-1296	WASHER, Flat (2)	53	9-1508	BOLT, 5/16-18 x 3/4" Short Neck Carriage, Grade 5
13	1-5447	ECCENTRIC, Leveling	54	3-3890	BRACKET, Wheel (Right Side)
14	9-1597	COTTER-PIN, 3/32 x 3/4" (3)	55	2-4466	BLADE, 38" Cutting Deck (2)
15	5-2886	ASSEMBLY, Brake Band	56	9-0613	NUT, 3/8-16 Hex Flange Lock (4)
16	3-3816	DRUM, Brake	57	4-1259	BRACKET, Rear Deck Lift (Right Side)
17	1-4304	PIN, 1/4 x 1 5/8" Clevis	58	3-3891	BRACKET, Wheel (Left Side)
18	1-4302	BOLT, 1/4-20 Eye	59	4-1257	BRACKET, Rear Deck Lift (Left Side)
19	3-3825	ANCHOR, Blade Brake	60	9-1152	WASHER, .406 I.D. x 1.50 O.D. x .20 (2)
20	2-4908	NUT, 1/4-20 "T" Lock	61	2-6648	SWIVEL, Lift
21	9-0063	NUT, 1/4-20 Hex	62	2-9718	BOLT, "J"
22	9-0585	NUT, 5/16-18 Hex Flange Lock (24)	63	2-6634	BRACKET, Angle (Front)
23	2-4801	GUARD, Belt (2)	64	9-1310	PIN, Hair (2)
24	9-1596	PIN, Hair (2)	65	9-0500	WASHER, 7/16 Flat
25	2-7471	PIN, Deck Hanger	66	9-0390	WASHER, 3/8 Internal Tooth Lk.
26	2-6757	BRACKET, Front Lift Arm (Left Side)	67	9-1302	NUT, 3/8-16 Hex, Grade 5
27	4-1371	LIFT, Front Arm	68	2-6649	SPACER, Lift
28	2-8365	BRACKET, Front Lift Arm (Right Side)	69	2-6154	DECAL, 38"
29	9-1325	NUT, 1/2-13 Hex Nyloc	70	1-6973	DECAL - CAUTION (Rotating Blades)
30	2-6310	PULLEY, Idler	71	1-4852	DECAL - CAUTION
31	3-3728	BRACKET, Idler	72	1-4583	STOP, Deck
32	9-1587	WASHER, 1/2 Flat (4)	73	9-0155	NUT, 3/8-24 Hex
33	9-0815	SCREW, 3/8-16 x 3/4" Self- Tapping (10)	74	3-4045	GUIDE, Belt
34	9-1558	BOLT, 1/2-13 x 3 1/2" Hx. Hd. Cap	75	9-1514	WASHER, Flat, .406 I.D. x .812 O.D. (2)
35	3-3751	ARM, Front Lift	76	9-1503	PIN, Hair, .093 x 1.50" (2)
36	9-0799	BOLT, 5/16-18 x 5/8" Short Neck Carriage (29)	77	1-1201	NUT, 5/16-24 Hex Lock
37	9-0163	SCREW, 3/8-24 x 1 1/4" Hex Head Cap, Grade 2	78	9-0850	BOLT, 3/8-16 x 3/4" Carriage
38	3-3929	GUIDE, Belt	79	9-1514	WASHER, Flat
39	9-1585	NUT, 3/8-16 Hex Center Lock	80	9-1601	NUT, 5/16-18 Hex Lock, Gr. 5 (7)
40	2-6158	SPRING, Chute Deflector Hinge			
41	2-6173	SPRING, Blade Brake			

**NOTE: 38" CUTTING DECK USED
ON MODELS LT140H38BBV &
LT150H38BBV ONLY! FOR ORDERING
COMPLETE CUTTER UNIT ASSEMBLY,
ORDER KIT No. 6-1418.**

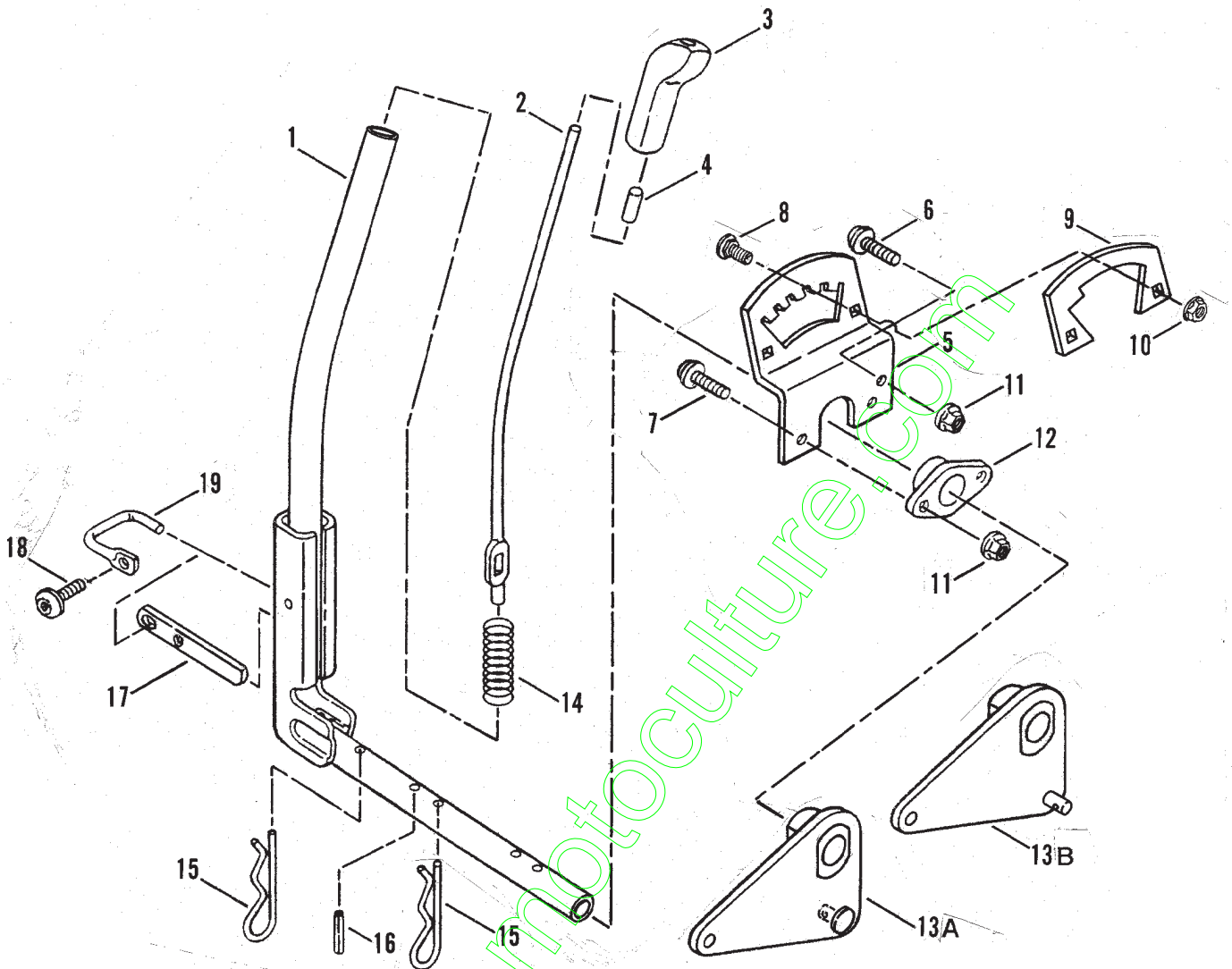
SPINDLE - 38" CUTTING DECK

① ASSEMBLY



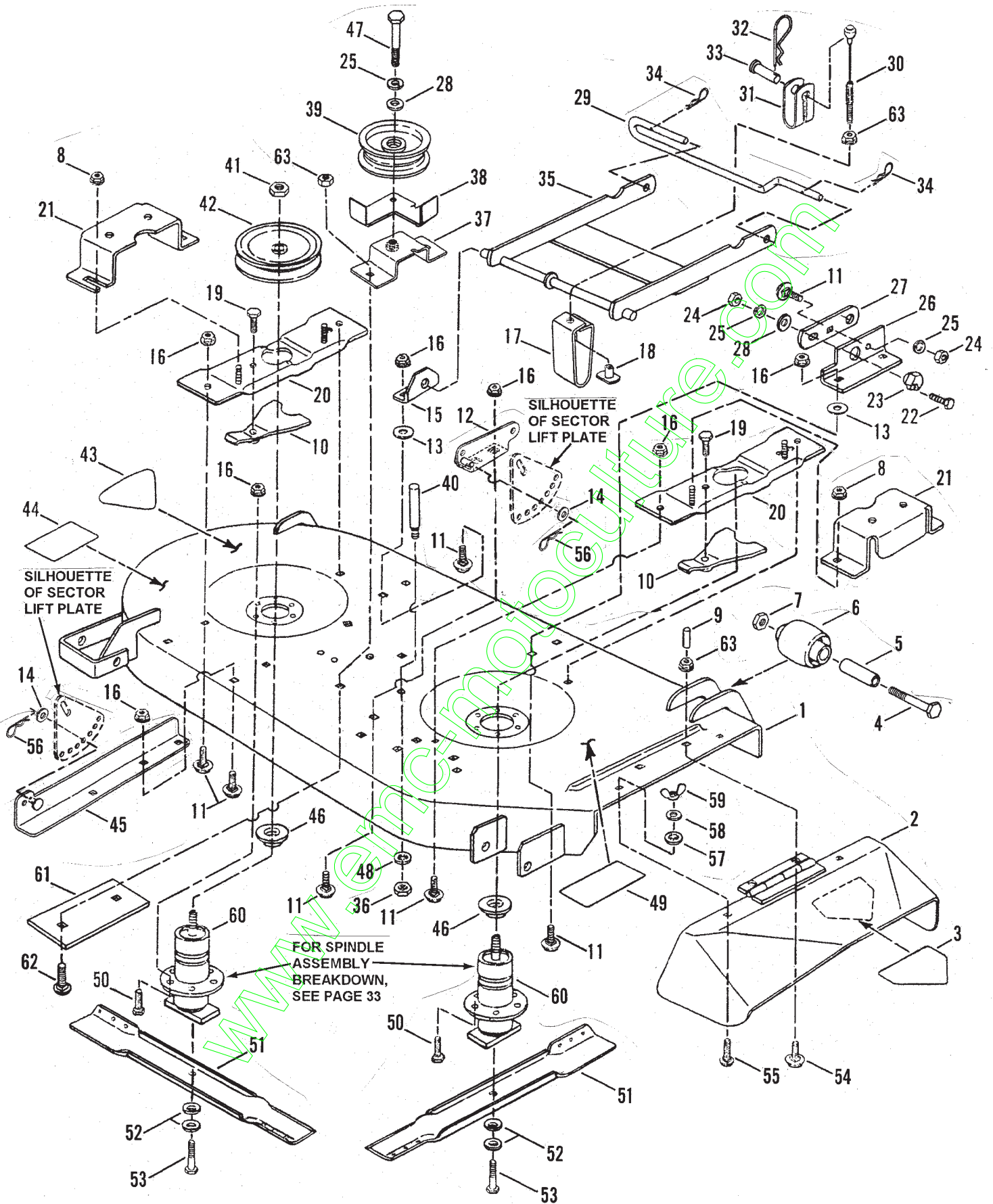
ITEM	PART NO.	DESCRIPTION
1	5-2847	ASSEMBLY, Spindle Housing, 38" Cutting Deck (Models LT140H38BBV & LT150H38BBV) (Includes items 2 thru 8)
2	2-6808	BEARING, Spindle (2)
3	2-4465	SPACER, Spindle Housing
4	2-4461	HOUSING, Spindle
5	2-6754	SPINDLE
6	2-4463	SPACER, Blade
7	2-4467	WASHER, Belleville, 19/32" I.D. x 1 3/4" O.D. (2)
8	9-1633	NUT, 9/16-18 Hex Jam

IMPLEMENT LIFT PARTS



ITEM	PART NO.	DESCRIPTION
1	4-1015	LEVER, Implement Lift (Models: LT120G30BB, LT140H38BBV, & LT150H38BBV)
-	4-1655	LEVER, Implement Lift (Models: LT125G33BB, ELT125G33BB, LT140H33BBV, ELT140H33BBV, & LT155H42BBV)
2	2-2565	ROD, Lift Lever
3	1-9363	KNOB, Lift Lever
4	1-4361	CAP, Lift Lever Rod
5	3-3449	QUADRANT, Lift Lever
6	9-1001	SCREW, 5/16-18 x 5/8" Truss Head (Torx)
7	9-1000	SCREW, 5/16-18 x 7/8" Truss Head (Torx) (2)
8	9-0005	BOLT, 1/4-20 x 1/2" Short Neck Carriage (2)
9	3-4559	DETENT, Highcut Lockout (Euro Models Only!)
10	9-0583	NUT, 1/4-20 Hex Flange Lock (2)
11	9-0585	NUT, 5/16-18 Hex Flange Lock (2)
12	2-2567	PIVOT, Lift Lever
13A	4-1254	BELLCRANK, Lift Lever (Models: LT125G33BB, ELT125G33BB, ELT140H33BBV, & LT140H33BBV)
13B	4-1255	BELLCRANK, Lift Lever (Models: LT120G30BB, LT140H38BBV, LT150H38BBV, & LT155H42BBV)
14	2-2566	SPRING
15	1-3844	PIN, Hair, 5/32 x 2 5/8" (2)
16	2-2895	PIN, Dowel, 1/4 x 1 1/8"
17	2-2568	DETENT, Latch
18	9-0999	SCREW, 1/4-20 x 5/8" Truss Head (Torx)
19	2-4742	LATCH, Pivot

42" CUTTING DECK (Belt, Blade Brake Shown On Page 32)

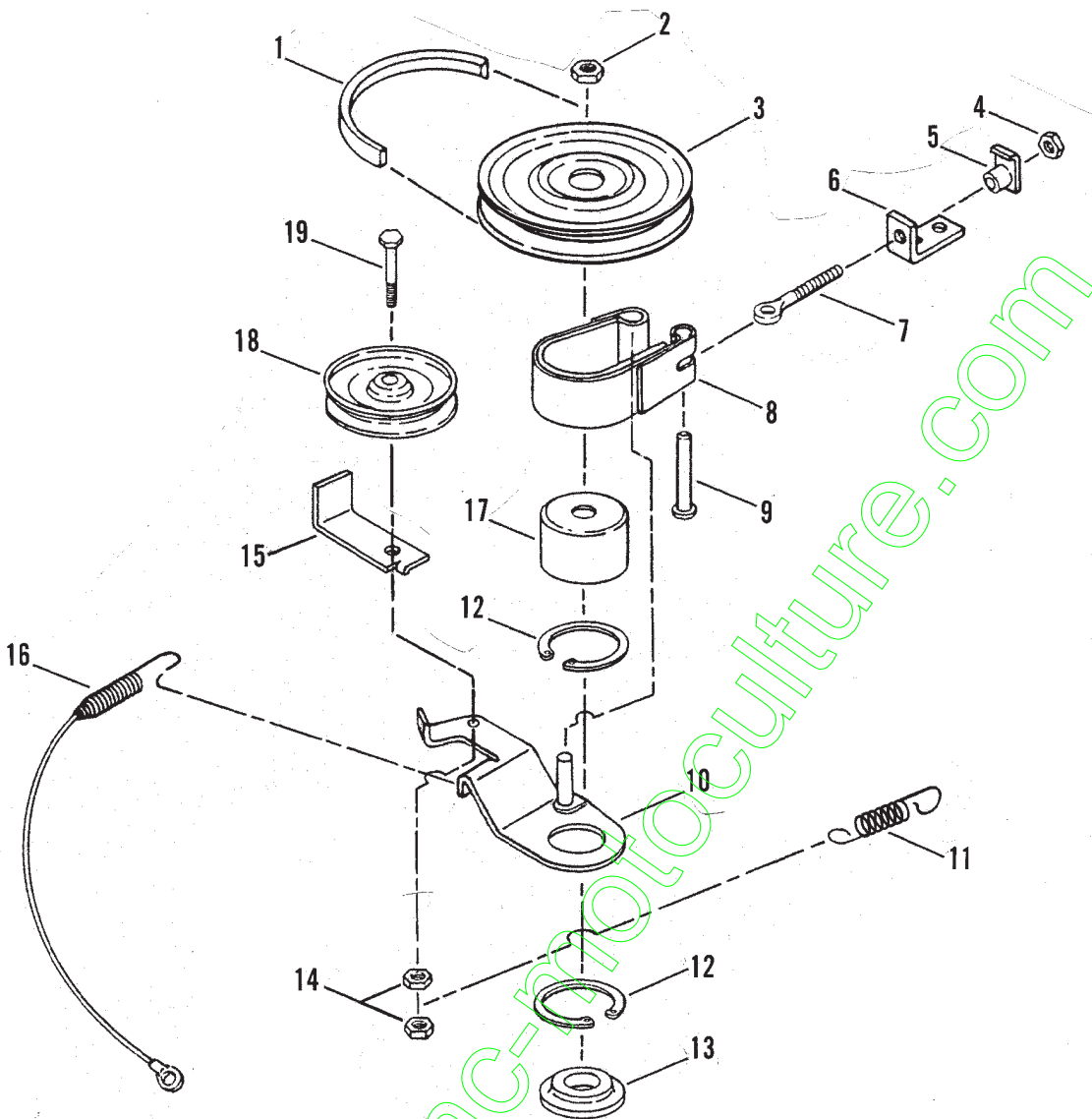


42" CUTTING DECK (Belt, Blade Brake Shown On Page 32)

ITEM	PART NO.	DESCRIPTION	ITEM	PART NO.	DESCRIPTION
1	5-3692	ASSEMBLY, Deck, 42" Cutting (Includes items 44 & 49)	36	9-0155	NUT, 3/8-24 Hex
2	5-1401	DEFLECTOR, Side Discharge (Includes item 3)	37	5-3567	BRACKET, Idler
3	1-3010	DECAL - DANGER	38	3-4041	GUIDE, Belt
4	9-1532	SCREW, 3/8-24 x 3 3/4" Hex Head Cap (4)	39	1-8574	PULLEY, Idler
5	1-5272	SPACER (4)	40	1-4583	STUD, Idler
6	1-9190	WHEEL, Gage (4)	41	1-0027	NUT, 3/4-16 Hex Jam (2)
7	9-1600	NUT, 3/8-24 Hex Center Lock, Grade 5 (4)	42	2-4863	PULLEY, Spindle (2)
8	9-0585	NUT, 5/16-18 Hex Flange Lock (10)	43	2-4910	DECAL, 42" Deck
9	2-3606	CAP, Vinyl (2)	44	1-6973	DECAL - CAUTION (Rotating Blades)
10	5-1747	ASSEMBLY, Spindle Lock (2)	45	4-1253	BRACKET, Deck Lift (Left Side)
11	9-0850	BOLT, 3/8-16 x 3/4" Carriage (10)	46	1-4407	WASHER, Spindle (2)
12	4-1252	BRACKET, Lift (Right Side)	47	9-0167	BOLT, 3/8-24 x 2" Hex Head Cap, Grade 5
13	9-0600	WASHER, Flat (4)	48	9-0390	WASHER, 3/8 Internal Tooth Lock
14	9-1514	WASHER, Flat, .406 I.D. x .812 O.D. (2)	49	1-4852	DECAL - CAUTION (Deflector in Place)
15	3-2297	BRACKET, Front Hanger (Left Side)	50	9-0612	BOLT, 3/8-16 x 3/4" Hex Flange
16	9-0613	NUT, 3/8-16 Hex Flange Lock (15)	51	2-6691	BLADE, 21" Cutter (2)
17	3-8043	BRACKET, Front Lift Arm Hanger	52	1-2063	WASHER, Cone, 13/32 x 1 13/32" Diameter (4)
18	9-1567	T-NUT, 5/16-18	53	9-0824	SCREW, 3/8-24 x 1 1/4" Hex Head Cap, Grade 5 (2)
19	9-0582	BOLT, 3/8-16 x 1" Hex Flange Lock (2)	54	9-1303	BOLT, 5/16-18 x 1" Short Neck Carriage, Grade 5 (2)
20	5-2487	ASSEMBLY, Spindle Brace (2)	55	9-0799	BOLT, 5/16-18 x 5/8" Carriage (2)
21	3-4409	GUARD, Pulley (2)	56	9-1503	PIN, Hair, .093 x 1.50" (2)
22	9-0563	SCREW, 3/8-16 x 1" Hex Head Cap	57	1-1791	RETAINER, 5/16 Bolt (2)
23	1-5012	ECCENTRIC, Leveling	58	9-1315	WASHER, 5/16 Split Lock (2)
24	9-0130	NUT, 3/8-16 Hex (2)	59	9-1537	WING-NUT, 5/16-18 (2)
25	9-0118	WASHER, 3/8 Split Lock (3)	60	5-9723	ASSEMBLY, Spindle (2)
26	3-8382	BRACKET, Front (Right Side)	61	3-4202	PLATE, Support
27	3-2432	LINK, Adjustment	62	9-0636	SCREW, 5/16-18 x 1" Hex Head Cap, (2)
28	9-0122	WASHER, 3/8 Flat (2)	63	9-1601	NUT, 5/16-18 Hex Flange Lock Grade 5 (3)
29	2-7471	PIN, Deck Hanger			
30	2-2893	CABLE, Deck Lift			
31	3-2276	CLEVIS, Lift Cable			
32	9-1503	PIN, Hair, 3/32 x 1 1/2"			
33	2-9687	PIN, Clevis, 3/8 x 1 1/16"			
34	9-1596	PIN, Hair, .148 x 2.62" (2)			
35	4-1480	ASSEMBLY, Front Hanger			

**NOTE: 42" CUTTING DECK USED
ON MODEL LT155H42BBV ONLY!
FOR ORDERING COMPLETE CUTTER
UNIT ASSEMBLY, ORDER KIT No. 6-1419.**

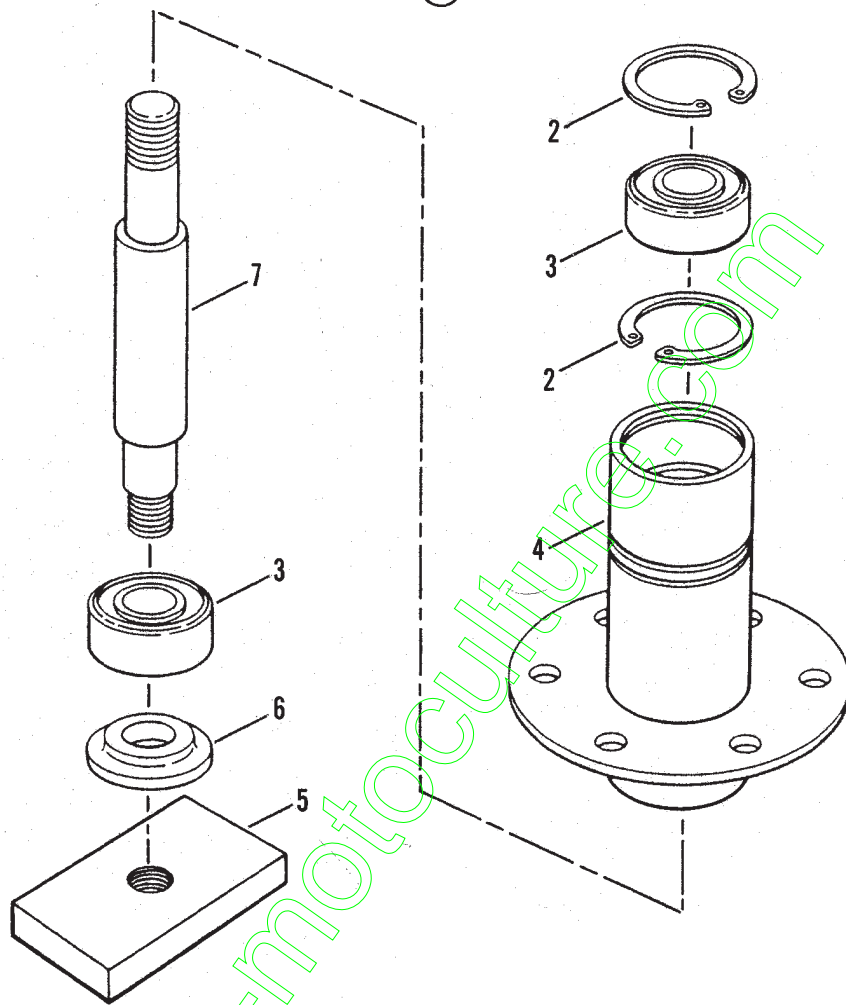
BELT, BLADE BRAKE - 42" CUTTING DECK



ITEM	PART NO.	DESCRIPTION
1	2-7737	BELT, Drive
2	1-0027	NUT, 3/4-16 Hex Jam
3	2-4863	PULLEY, Drive
4	9-0063	NUT, 1/4-20 Hex
5	1-4303	TEE-NUT, 1/4-20
6	3-2587	ANCHOR, Brake
7	1-4302	BOLT, 1/4-20 Eye
8	5-2886	ASSEMBLY, Brake Band
9	1-1021	PIN, Clevis, 1/4 x 1 1/4"
10	4-7912	ASSEMBLY, Brake Arm
11	2-9788	SPRING, Blade Brake
12	1-0740	RING, Retaining (2)
13	1-4407	WASHER, Spindle
14	9-1600	NUT, 3/8-24 Hex Center Lock, Grade 5 (2)
15	3-4043	GUIDE, Belt
16	2-8368	CABLE, Blade
17	3-2169	DRUM, Brake
18	1-8574	PULLEY, Idler
19	9-0167	SCREW, 3/8-24 x 2" Hex Head Cap

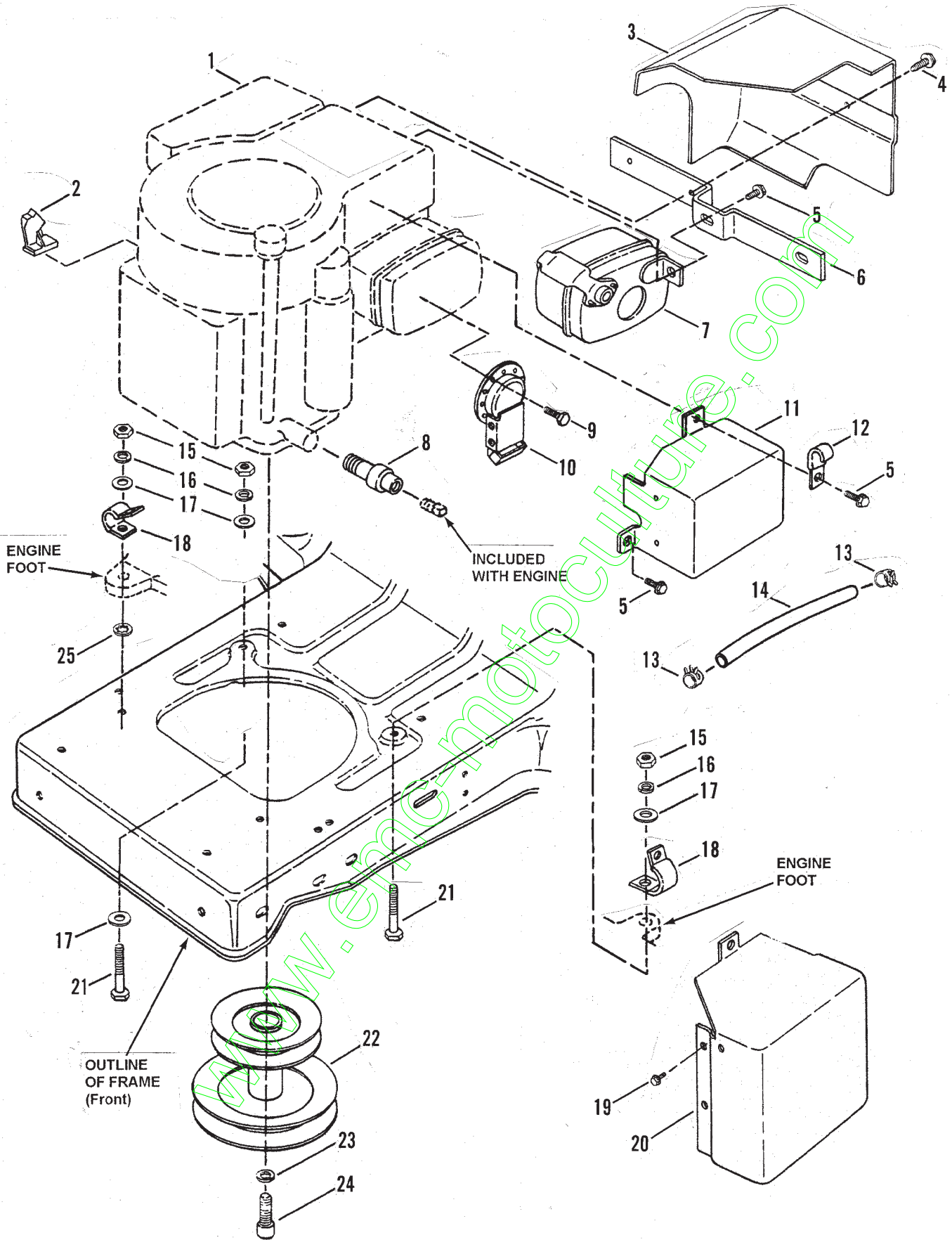
SPINDLE ASSEMBLY - 42" CUTTING DECK

① ASSEMBLY



ITEM	PART NO.	DESCRIPTION
1	5-9723	ASSEMBLY, Spindle Housing, 42" Cutting Deck (Model LT155H42BBV) (Includes items 2 thru 7)
2	1-2491	RING, Retaining (2)
3	1-3313	BEARING, Spindle (2)
4	4-7917	HOUSING, Spindle
5	3-2294	HOLDER, Blade
6	1-4407	WASHER, Spindle
7	2-7668	SPINDLE

ENGINE COMPONENTS

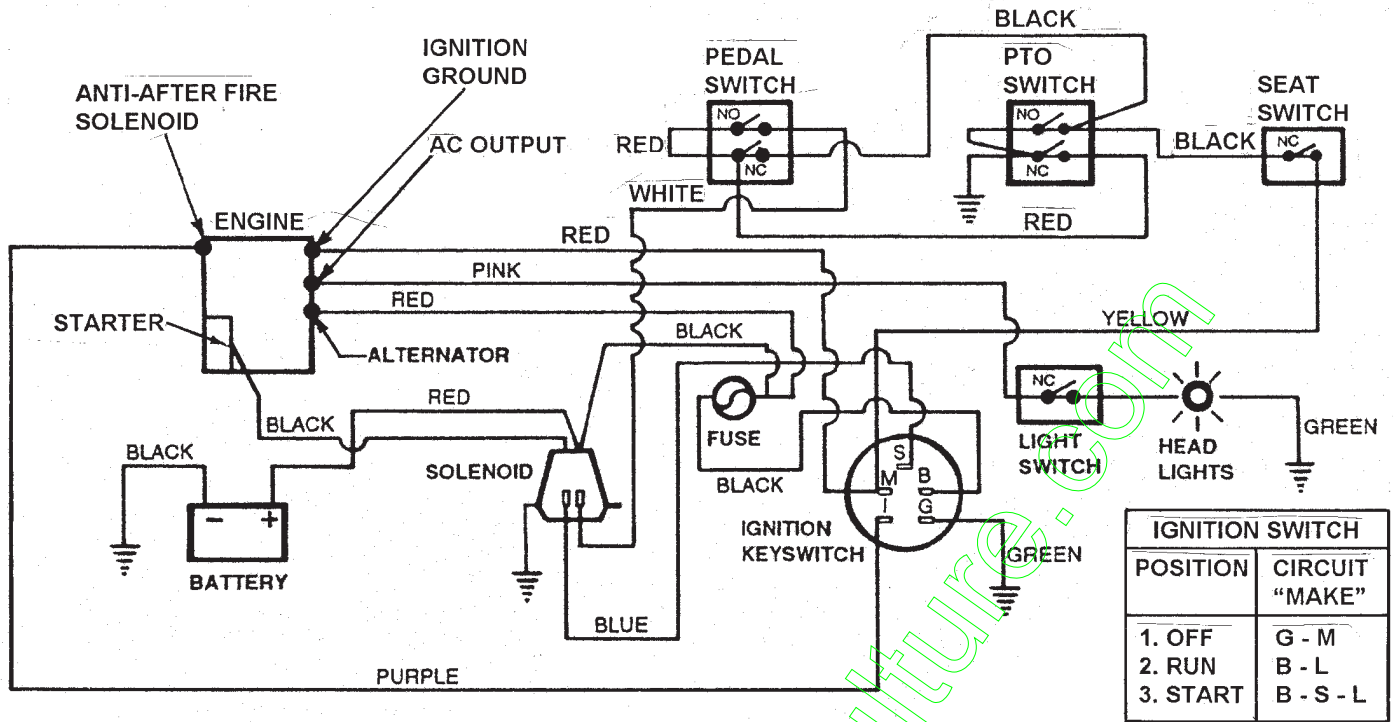


ENGINE COMPONENTS

ITEM	PART NO.	DESCRIPTION
1	**	ENGINE, B. & S. 12HP, Model 283707, Type 0134 (Model: LT120G30BB)
-	**	ENGINE, B. & S. 12.5HP I/C, 3100 RPM, Model 289707, Type 0117, Trim 01 (Model: LT125G33BB)
-	**	ENGINE, B. & S. 12.5HP I/C, 2900 RPM, Model 289707, Type 0120, Trim 01 (Model: ELT125G33BB)
-	**	ENGINE, B. & S. 14HP OHV, Model 287707, Type 0229 (Models: LT140H33BBV & ELT140H33BBV)
-	**	ENGINE, B. & S. 14HP OHV, Model 287707, Type 0119 (Model: LT140H38BBV)
-	**	ENGINE, B. & S. 15.5HP OHV, Model 28Q777, Type 0155, Trim 02 (Model: LT150H38BBV)
-	**	ENGINE, B. & S. 15.5HP OHV, Model 28Q777, Type 0155, Trim 01 (Model: LT155H42BBV)
2	2-5079	CLIP, Speed
3	1-7022	HEAT SHIELD (Models: LT120G30BB & LT125G33BB Only!)
4	9-0307	SCREW, #10-24 x 1/2" Hex Washer Head, Self-Tapping (2)
5	9-1579	BOLT, 1/4-20 x 1/2" Hex Flange Lock (3)
6	3-8374	BRACKET, Heat Shield (Gear Drive Models Only!)
7	5-2691	MUFFLER, Exhaust (Gear Drive Models Only!)
8	2-2486	EXTENSION, Oil Drain (Shown) (Gear Drive Models Only!)
-	2-7972	ASSEMBLY, Oil Valve (Not Shown) (Hydro Drive Models Only!)
9	9-1581	SCREW, #8-18 x 1/2" Hex Head, Self-Tapping (3)
10	4-1537	EXTENSION, Muffler (All Hydro Models & Gear Drive Model ELT125G33BB)
11	4-1269	HEAT SHIELD, Muffler (Shown) (Hydro Models Only!)
-	4-1680	HEAT SHIELD, Muffler (Not Shown) (Model: ELT125G33BB Only!)
12	2-6482	CLIP, "J" Type (Hydro Models Only!)
13	1-2222	CLAMP, Fuel Line (2)
14	2-3479	LINE, Fuel, 16" Long (Models: LT140H33BBV, ELT140H33BBV, LT140H38BBV, LT150H38BBV, & LT155H42BBV)
-	3-2015	LINE, Fuel, 7" Long (Models: LT120G30BB, LT125G33BB, & ELT125G33BB)
15	9-1511	NUT, 5/16-18 Hex (4)
16	9-1315	WASHER, 5/16 Split Lock (4)
17	9-1296	WASHER, 5/16 Flat (5)
18	1-5861	CLIP, Wiring Harness (2)
19	9-1075	SCREW, #10-24 x 5/8" Hex Washer Head, Self-Tapping (4)
20	4-1677	HEAT SHIELD, Muffler (Shown) (Models: ELT140H33BBV, LT140H33BBV, & LT140H38BBV Only!)
-	4-1679	HEAT SHIELD, Muffler (Not Shown) (Models: LT125G33BB & ELT125G33BB)
21	9-0669	SCREW, 5/16-18 x 1 3/4" Hex Head Cap (2)
22	2-7767	ASSEMBLY, Engine Pulley (Models: LT120G30BB, LT125G33BB, & ELT125G33BB)
-	2-8028	ASSEMBLY, Engine Pulley (Models: LT140H33BBV & ELT140H33BBV)
-	2-8033	ASSEMBLY, Engine Pulley (Models: LT140H38BBV, LT150H38BBV, & LT155H42BBV)
23	9-1301	WASHER, 7/16 Split Lock
24	9-1531	SCREW, 7/16-20 x 1" Hex Cap, Socket Head
25	9-0391	WASHER, 5/16 Internal Tooth Lock

**** PURCHASE ENGINE & ENGINE PARTS,
OTHER THAN THOSE LISTED, FROM
ENGINE SERVICE OUTLETS.**

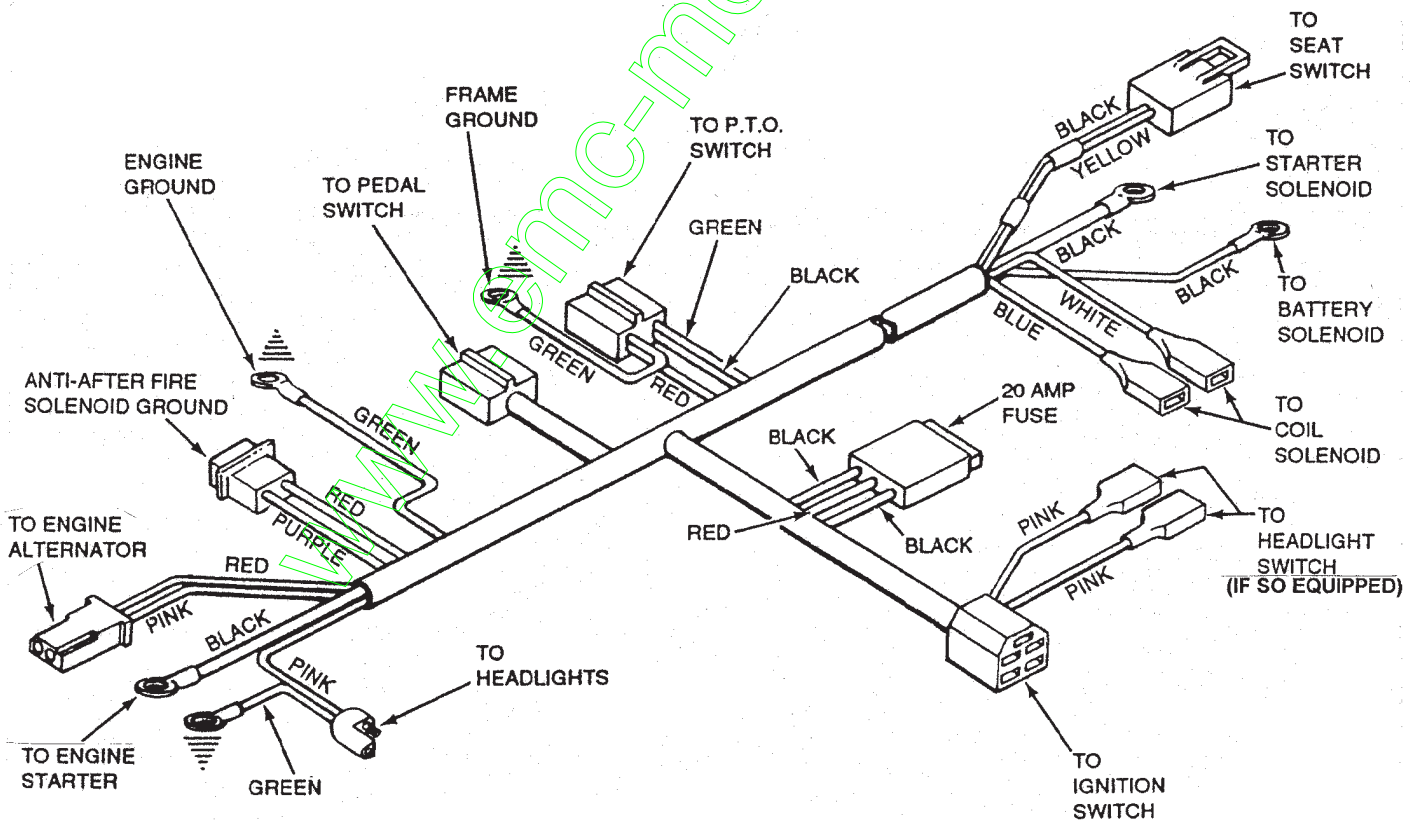
ELECTRICAL - Brigg's & Stratton Engines



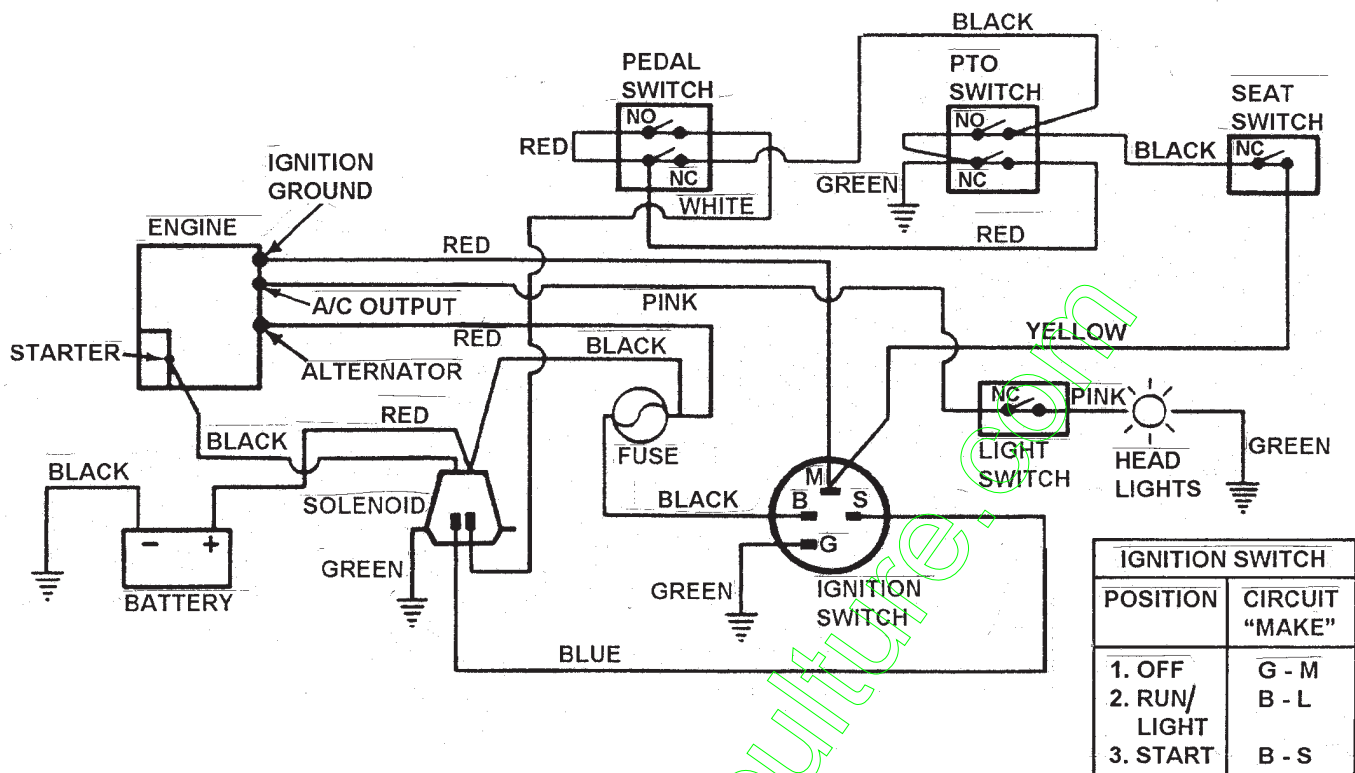
SCHEMATIC - WIRING DIAGRAM P.N. 2-6616

(MODELS: LT140H33BBV, ELT140H33BBV, LT14038BBV, LT150H38BBV, & LT155H42BBV)

ILLUSTRATED DIAGRAM

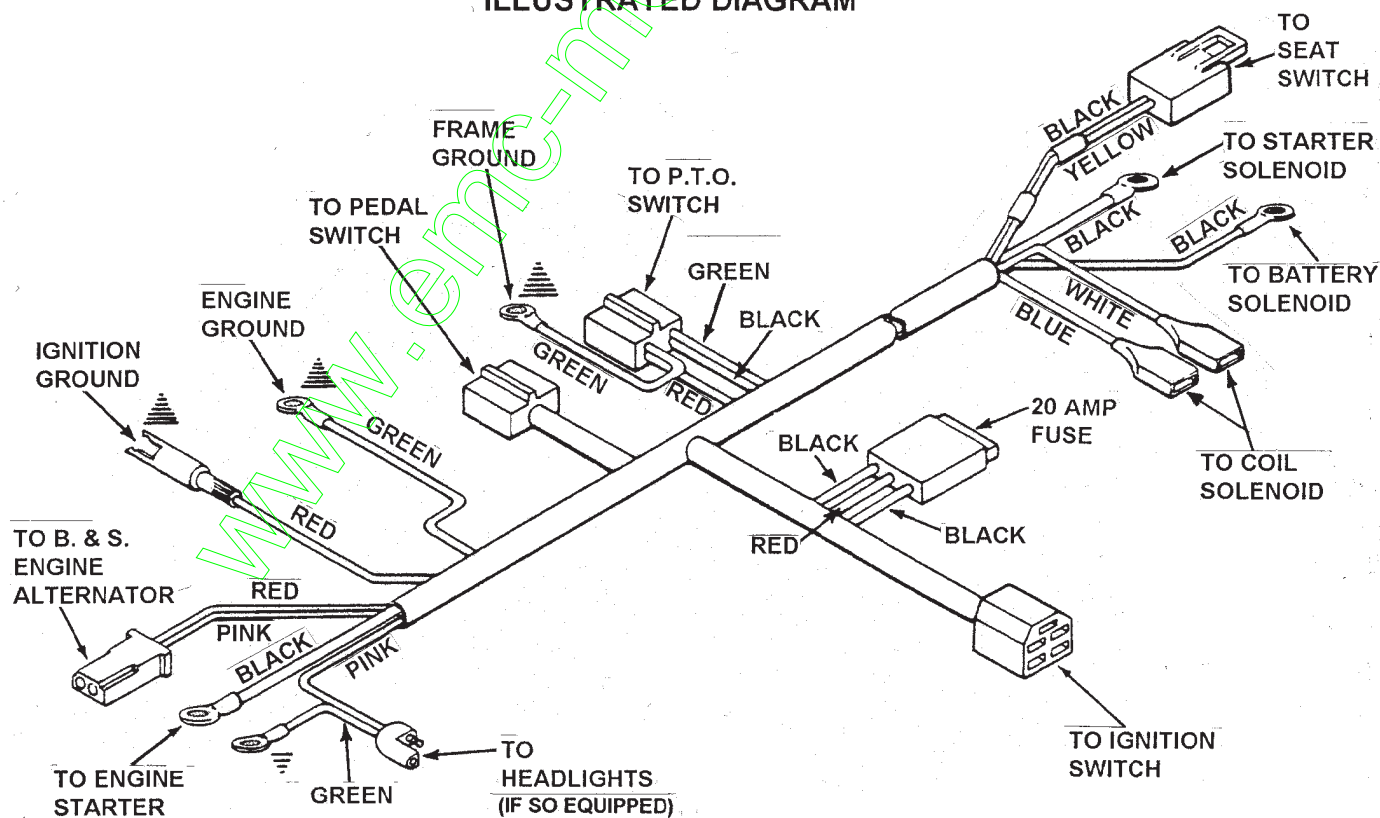


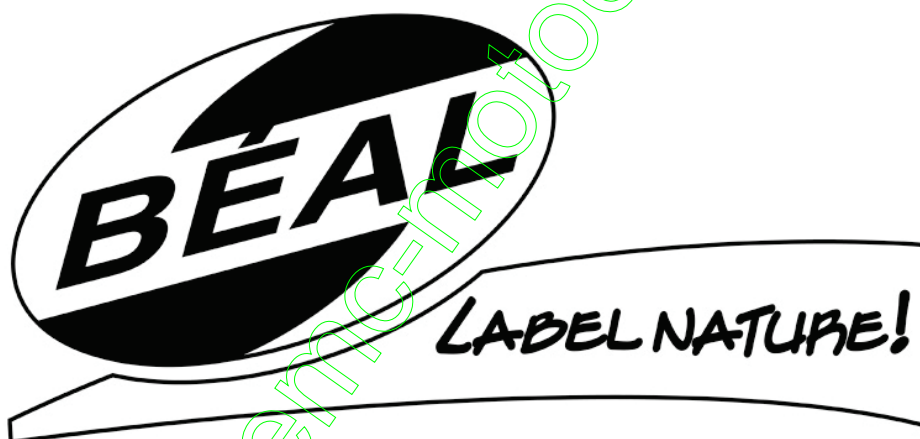
ELECTRICAL - Brigg's & Stratton Engines



SCHEMATIC - WIRING DIAGRAM P.N. 2-4364
(MODELS: LT120G30BB, LT125G33BB, & ELT125G33BB)

ILLUSTRATED DIAGRAM





**Yvan Béal - 21, av. de l'Agriculture - B.P 16
Z.I. du Brézet - 63014 Clermont-Ferrand Cedex 2
Tél : 04 73 91 93 51 - Télécopie : 04 73 90 23 11
www.yvanbeal.fr - E-mail : info@yvanbeal.fr
R.C.S. B 304 973 886 - S.A.S. au capital de 612 000 €**