

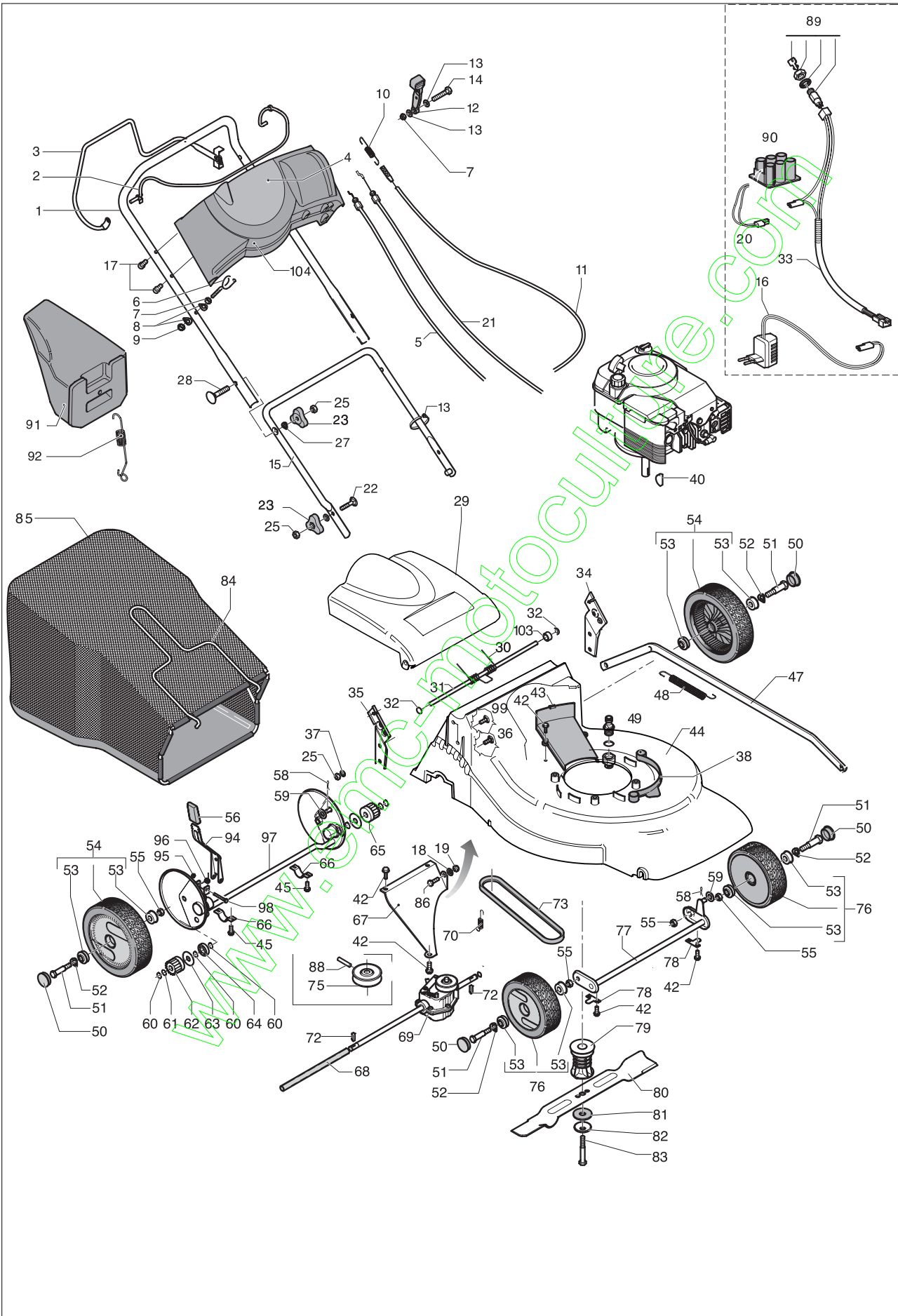
POWER PRODUCTS

VIPL2007 V250000010

BRAND	MODEL	PnC
AUCHAN-ERMA	ER50B51CD	962000173

**Spare parts**  
**Ersatzteile**  
**Pièces détachées**  
**Reserve onderdelen**  
**Repuestos**  
**Reservdelar**

[www.emc-motoculture.com](http://www.emc-motoculture.com)



Pos.	PN °	Fct.ry Pln°	DESCRIPTION	Q.ty	Pos.	PN °	Fct.ry Pln°	DESCRIPTION	Q.ty
1	531205112	10121203	HANDLE	1	52	531206644	10275100	WASHER	4
2	531205168	10121463	LEVER-BRAKE	1	53	531205214	10121900	BALL-BEARING	8
3	531205168	10121463	LEVER-CLUTCH	1	54	531204461	9135294	WHEEL	2
4	531211176	10175422	PLUG	1	55	531207978	20101700	NUT M10	6
5	531211141	10141500	ACCELERATOR	1	56	531207986	20107203	SHEATHING	1
6	531205169	10121470	CABLE-HOOK	2	58	531206653	10281400	COTTER-PIN	2
7	531207165	10501200	NUT M6	2	59	531204906	10069200	WASHER	2
8	531204961	10115900	WASHER	4	60	531208772	20655800	SEEGER	6
9	531205213	10121890	NUT M5	2	61	531208859	20761300	WASHER	2
10	531205215	10121910	SPRING	1	62	531205045	10120160	PINION DX	1
11	531211143	10141520	CABLE- CLUTCH	1	63	531207847	10831200	WASHER	2
12	531205139	10121263	LEVER	1	64	531208778	20657600	BALL-BEARING	2
13	531206666	10284700	WASHER	2	65	531205046	10120170	PINION SX	1
14	531207836	10830000	SCREW	1	66	531206652	10281200	SUPPORT	2
15	531205118	10121213	HANDLE LOWER	1	67	501966001	501966001	DEFLECTOR	1
16	531200904	bs991812	BATTERY CHRGR	1	68	531207697	10766503	TUBE	1
17	531208844	20734900	SCREW	4	69	531213408	9180180	GEAR-BOX	1
18	531206666	10284700	WASHER	4	70	531206289	10160070	SPRING	1
19	531208492	20282100	NUT M5	1	72	531205108	10121160	KEY	2
20	531212818	10173660	CONNECTION	1	73	531206701	10294900	BELT	1
21	502288301	502288301	BRAKE CABLE	1	75	531208899	20768203	PULLEY	1
22	531204921	10114100	SCREW	2	76	531205023	10120061	WHEEL	2
23	531204923	10114303	KNOB	4	77	544459101	544459101	CAXLE	1
25	531207982	20106300	NUT M8	7	78	531205536	10135270	SUPPORT	2
26	531205581	10135600	CLAMP	2	79	531207848	10831300	BLADE ADAPTER	1
27	531207090	10402402	PLATE	1	80	504113301	504113301	BLADE	1
28	531207089	10402401	SCREW M8	2	81	531207243	10531700	WASHER	1
29	501322303	501322303	DEFLECTOR	1	82	531207237	10530900	WASHER	1
30	501322501	501322501	SPRING	1	83	531206649	10280901	SCREW 3/8X65	1
31	531213344	10180190	TIE-ROD	1	84	531213532	10180343	GRASS BAG FRAME	1
32	531210824	10175400	WASHER	1	85	531213545	10180354	SAC	1
33	531213414	BS991006/2	WIRING	1	86	531207838	10830300	SCREW TE 5/16	1
34	531206538	10175243	SUPPORT	1	87	531205989	10146243	SHEATHING	1
35	531206536	10175233	SUPPORT	1	88	531207703	10768400	COTTER-PIN	1
36	531204921	10114100	SCREW M8 X 25	4	89	531212514	10141880	KEY SWITCH	1
37	531207981	20106200	WASHER	10	90	531212821	10173690	BATTERY	1
38	531206308	10160273	HOUSING	1	91	531213226	10180153	MULCHING-PLUG	1
39	531213845	10176050		3	92	531205831	10141150	SPRING	1
40	531204907	10100900	KEY	1	93	531204922	10114200	WASHER	1
42	531207856	10831800	SCREW	9	94	531212364	17546ZC	LEVER	1
43	531213225	10180123	BELT HOUSING	1	95	531208492	20282100	NUT M5	1
44	531213412	10180012	DECK	1	96	531210817	10175450	SPRING	1
45	531207385	10602800	SCREW	4	97	531213446	1017342ZC	/AXLE	1
47	531213222	10180103	ROD	1	98	531206346	10162910	SCREW	1
48	531205715	10140090	SPRING	1	99	531205741	10140310	SCREW M8 X16	1
49	531205848	10141313	CONNECTION	1	103	531211966	10155560	SPACER H10	1
					104	531210949	10175412	DASH BOARD	1