

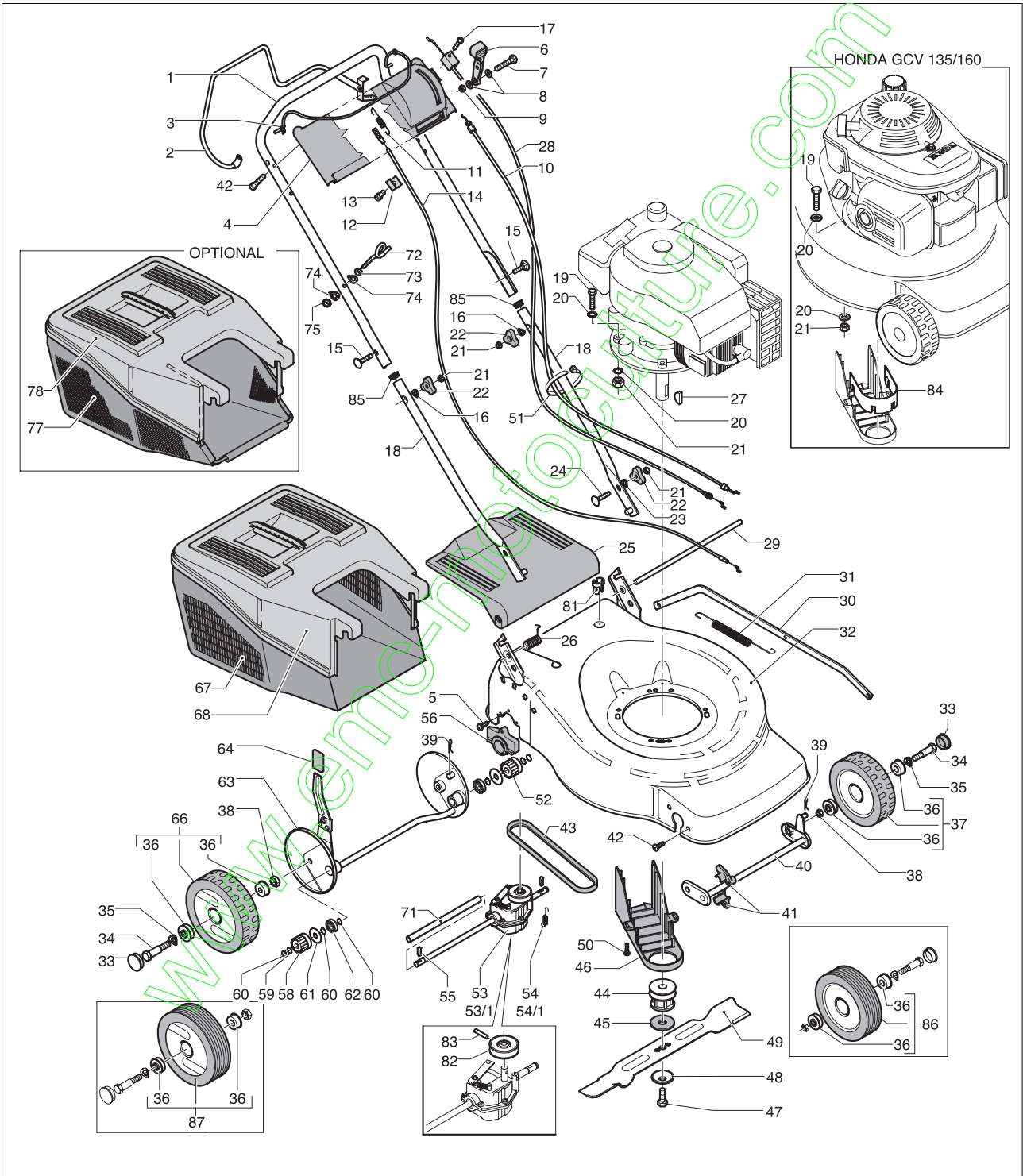
brand	<b>MEP</b>
-------	------------

date	JAN/02	SHEET 1/3
------	--------	-----------

Model

<b>MP - ER 546SL</b>

Product number

brand	<b>MEP</b>
-------	------------

date	JAN/02	SHEET 2/3
------	--------	-----------

**MP - ER 546SL**

Pos.	PN ELX	PN MEP	DESCRIZIONE	DESCRIPTION	DESCRIPTION	Q.ty	NOTE
1	531205112	10121203	manico superiore	upper handle	guidon superieur	1	
2	531205208	10121823	maniglia frizione	lever	manette	1	
3	531205168	10121463	maniglia freno	clutch lever	manette	1	
4	531205133	10121252	plancia comandi	dash-board	planche	1	
4	531205132	10121251	plancia comandi	dash-board	planche	1	
5	531208216	20135720	vite	screw	vis	2	TCTC2FD5x16 AC
6	531205139	10121263	leva acceleratore	accelerator lever	levier de accelerateur	1	
7	531207836	10830000	vite	screw	vis	1	TE M5x25 UNI 5739-8,8-ZB
8	531206666	10284700	rondella piana	washer	rondelle	2	5/15/1,5 ZB
9	531208492	20282100	dado	nut	ecrou	1	M5 H7UNI7473-ZB
10	531207754	10800400	cavo acceleratore	accelerator cable	cable accelerateur	1	B&S mm 1385/80
10	531206033	10146730	cavo acceleratore	accelerator cable	cable accelerateur	1	TECNA mm 1100/80
11	531205215	10121910	molla cavo	spring	ressort	1	
11	531205596	10135710	molla frizione	spring	ressort	1	
12	531207923	10876103	supporto cavo	bearing	support	1	
13	531207937	10878000	vite	screw	vis	1	TCTC 3,9x16
14	531206000	10146340	cavo frizione	clutch cable	cable d'embrayage	1	
15	531207089	10402401	vite	screw	vis	2	TTSQM8x50TFZB
16	531207090	10402402	rondella ondulata	washer	rondelle	2	8,5
17	531208217	20135730	vite	screw	vis	1	TCTC 2FD 5x25
18	531206071	10150133	manico inferiore	handle lower	guidon inferieur	2	
19	531205196	10121700	vite	screw	vis	3	TE M8x35 UNI 5739-8,8-ZB
19	531207044	10390800	vite	screw	vis	3	TE M8x40 UNI 5737-8,8-ZB
19	531206681	10291000	vite	screw	vis	1	TE M8x60
	531205196	10121700	vite	screw	vis	2	TE 8X35
20	531207981	20106200	rondella dent.	washer	rondelle	6	D.8E DIN 6798
21	531207982	20106300	dado	nut	ecrou	7	M8 H8 UNI 5587-6S ZB
22	531204923	10114303	pomolo	knob	poignée	4	
23	531204922	10114200	rondella piana	washer	rondelle	2	8x16x1,5 ZB
24	531204921	10114100	vite	screw	vis	2	TTSQ M8x25 T.FIL. ZB
25	531205982	10146211	paratoia	deflector	deflecteur	1	MP
25	531205983	10146212	paratoia	deflector	deflecteur	1	ER
26	531205999	10146330	molla paratoia	spring	ressort	1	
27	531204907	10100900	chiavetta	key	clavette	1	4x6,5 UNI6606 WODRUF
28	531205192	10121620	cavo freno	cable	cable	1	TECNA 1420/141,5
28	531205191	10121610	cavo freno	cable	cable	1	B&S 1097/148
28	531205813	10140950	cavo freno	cable	cable	1	HONDA 1130-152
29	531205060	10120530	tirante paratoia	tie rod	entretoise	1	
30	531205069	10120653	asta alzaruote	rod	tige	1	
31	531205056	10120460	molla	spring	ressort	1	
32	531210830	10172682	scocca	deck	chassis	1	ER
32	531210730	10172681	scocca	deck	chassis	1	MP
33	531204936	10114804	tappo ruota	plug	bouchon	4	
34	531205042	10120090	vite ruota spec.	screw	vis	4	
35	531206644	10275100	rosetta	washer	rondelle	4	UNI 8840- B12(13/24/0,8
36	531205214	10121900	cuscinetto ruota	ball-bearing	roulement	8	
37	531204371	09120084	ruota anteriore	front wheel	roue anterieur	2	D170/26 TAC
38	531207978	20101700	dado	nut	ecrou	6	M10 H8 UNI 5588-6S ZB



brand	<b>MEP</b>
-------	------------

date	JAN/02	SHEET 3/3
------	--------	-----------

<b>MP - ER 546SL</b>
----------------------

Pos.	PN ELX	PN MEP	DESCRIZIONE	DESCRIPTION	DESCRIPTION	Q.ty	NOTE
39	531206653	10281400	coppiglia	cotter pin	goupille	2	1,8 x 33
40	531205051	10120290	assale anteriore	front axle	assieu avant	1	
41	531205057	10120473	supporto ass.ant.	bearing	support	4	
42	531208844	20734900	vite	screw	vis	8	TCTC 4,3x16 FIX ZB
43	531207280	10548500	cinghia	belt	courroie	1	Z 27 3L 285
44	531205048	10120200	supporto lama	bearing blade	support lame	1	
45	531207243	10531700	rondella friz.	washer	rondelle	1	17,2x50x1,5+0,1
46	531205047	10120183	carter cinghia	belt housing	carter de courroie	1	
47	531208008	20120580	vite	screw	vis	1	TE 3/8 UNFx37- 8,8 1/2F ZB
48	531207237	10530900	rondella elastica	washer	rondelle	1	11x50x2,5
49	531205072	10120680	lama	blade	lame	1	
50	531207856	10831800	vite	screw	vis	3	TEFR 5x10 ZB PASSO
51	531205581	10135600	fascetta	clamp	colier	4	160X4,5
52	531205046	10120170	pignone	pinion	pignon	1	SX
53	531204758	09767800	riduttore completo	reducer complet	reducteur complete	1	
53	531204755	09767400	riduttore completo	reducer complet	reducteur complete	1	
54	531206182	10155210	molla	spring	ressort	1	
54	531205216	10121920	molla	spring	ressort	1	
55	531205108	10121160	chiavetta	key	clavette	2	"S" 5x5(- 0,05)x19,2 DIAG
56	531205944	10146093	supporto ass.post.	support	support	2	
58	531205045	10120160	pignone	pinion	pignon	1	DX
59	531208859	20761300	rondella temp.	washer	rondelle	2	D.12,4x17x0,3
60	531208772	20655800	seeger	seeger	seeger	6	D.12E DIN 471
61	531207847	10831200	rondella piana	washer	rondelle	2	D.12/34/0,7 ZB
62	531208778	20657600	cuscinetto	ball-bearing	roulement	2	D.12/28/8 6001/2RS
63	531205101	10121090	assale posteriore	rear axle	assieu arriere	1	
64	531207986	20107203	guaina	sheating	gaine	1	
66	531205181	10121564	ruota posteriore	posterior wheel	roue posterieur	2	D.190/13-ER
67	531208306	20146303	sacco nero	sac	sac	1	
68	531205949	10146113	cop.sacco con telaio	sack frame upper	cadre du sac uperieur	1	
71	531207697	10766503	tubetto distanziale	spacer tube	toyau entretoise	1	
72	531205169	10121470	gancio	cable hook	crochet	1	
73	531207165	10501200	dado	nut	ecrou	1	M6 H6 UNI 5587-6S-ZB
74	531204961	10115900	rondella ondulata	washer	rondelle	2	6,5E
75	531208491	20281800	dado	nut	ecrou	1	M6 H8 UNI7473- ZB
77	531208296	20146113	coperchio cestello	grass catcher upper	bac superieur	1	
78	531208313	20146593	fondo cestello	grass catcher bottom	bac inferieur	1	
81	531205557	10135413	fermacavo	cable lock	arret du cable	1	
82	531208899	20768203	puleggia riduttore	gear pulley	poulie reducteur	1	
83	531207703	10768400	spina elastica	resilient pin	goupille expansible	1	
84	531206031	10146690	innesto copricinghia	belt housing	carter courroie	1	
85	531208950	20833303	tappo	plug	bouchon	2	
86	531204395	09121574	ruota anteriore	front wheel	roue anterieur	2	D170/26 RIG-ER
87	531205177	10121554	ruota	wheel	roue	2	D.190/26RIG-ER

