



### ELECTROLUX OUTDOOR PRODUCTS

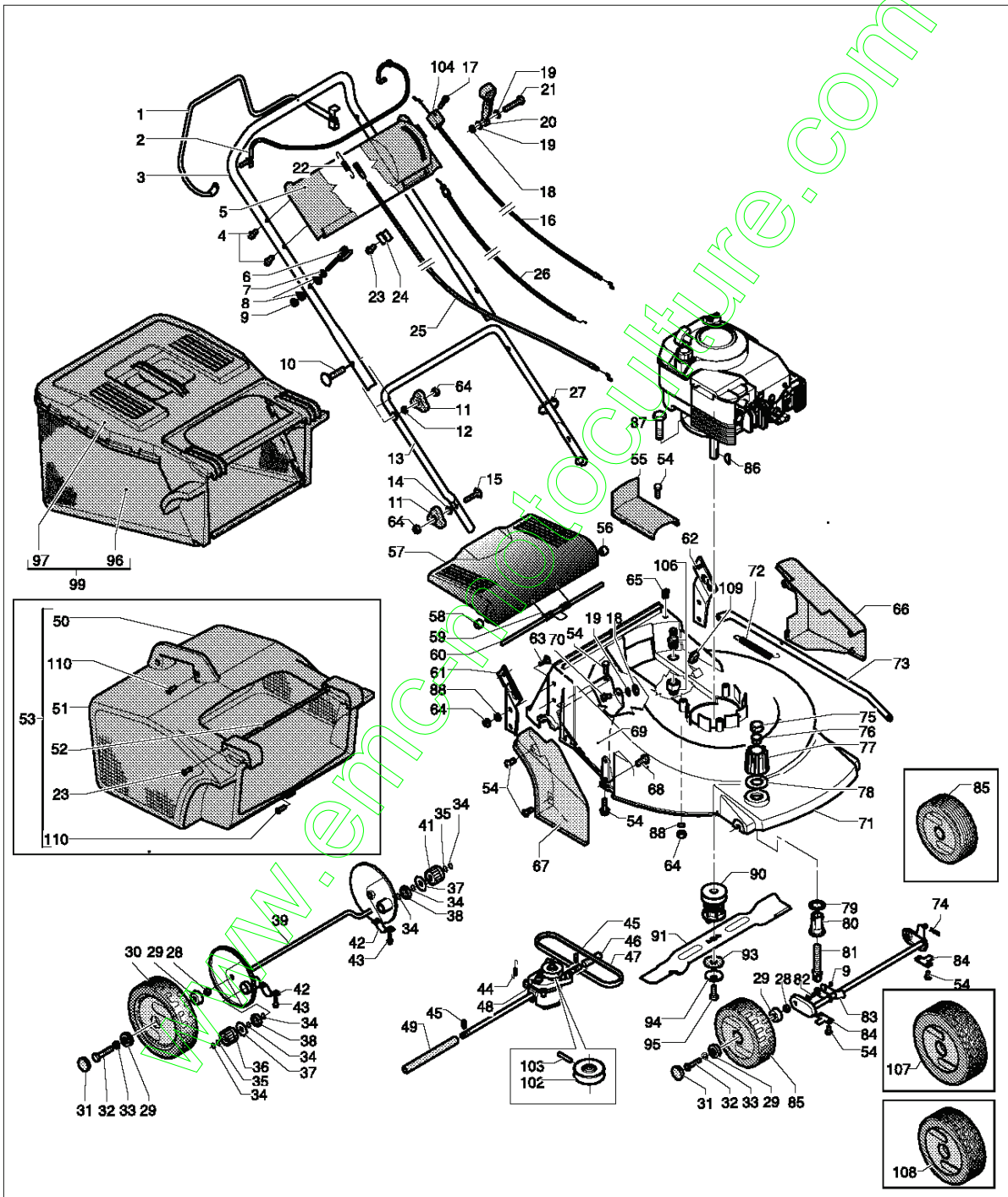
brand	<b>MEP</b>
-------	------------

date	JAN/02	SHEET 1/3
------	--------	-----------

Model

**MP - ER 550S**

Product number



The Electrolux Group. The world's No.1 choice.



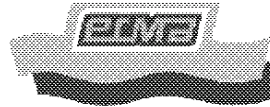
## ELECTROLUX OUTDOOR PRODUCTS

brand	MEP
-------	-----

date	JAN/02	SHEET 2/3
------	--------	-----------

## MP - ER 550S

Pos.	PN ELX	PN MEP	DESCRIZIONE	DESCRIPTION	DESCRIPTION	Q.ty	NOTE
1	<b>531205618</b>	<b>10135883</b>	maniglia frizione	clutch lever	manette d'embrayage	1	
2	531205618	10135893	maniglia freno	lever	manette	1	
3	531205589	10135663	manico superiore	upper handle	guidon superieur	1	
4	531208844	20734900	vite	screw	vis	4	TCTC 4,3x16 FIX ZB
5	531205608	10135772	plancia comandi	dash-board	planche	1	ER
5	531205607	10135770	plancia comandi	dash-board	planche	1	MP
6	531205169	10121470	gancio	cable hook	crochet	1	
7	531207165	10501200	dado	nut	ecrou	1	M6 H6 UNI 5587-6S-ZB
8	531204961	10115900	rondella ondulata	washer	rondelle	2	6,5E
9	531208491	20281800	dado	nut	ecrou	2	M6H8UNI7473ZB
10	531207089	10402401	vite	screw	vis	2	TTSQ M8x50 TF ZB
11	531204923	10114303	pomolo	knob	poignée	4	
12	531207090	10402402	rondella ondulata	washer	rondelle	2	8,5
13	531205711	10140053	manico inferiore	handle lowere	guidon inferieur	1	
14	531204922	10114200	rondella piana	washer	rondelle	2	8x16x1,5 ZB
15	531204921	10114100	vite	screw	vis	2	TTSQ M8x25 T.FIL. ZB
16	531205813	10140950	cavo freno	cable	cable	1	HONDA-1130-152
16	531205191	10121610	cavo freno	cable	cable	1	B&S-1097/148
16	531205192	10121620	cavo freno	cable	cable	1	TECNA-1420/141,5
17	531208217	20135730	vite	screw	vis	1	TCTC 2F D 5x25
18	531208492	20282100	dado	nut	ecrou	3	M5 H7 UNI7473-ZB
19	531206666	10284700	rondella piana	washer	rondelle	3	5/15/1,5 ZB
20	531205139	10121263	leva acceleratore	lever	levier	1	
21	531207836	10830000	vite	screw	vis	1	TE M5x25 UNI 5739-8,8-ZB
22	531205596	10135710	molla frizione	spring	ressort	1	
23	531207937	10878000	vite	screw	vis	3	TCTC 3,9x16
24	531207923	10876103	supporto cavo	bearing	support	1	
25	531206000	10146340	cavo frizione	clutch cable	cable d'embrayage	1	
26	531206033	10146730	cavo acceleratore	accelerator cable	cable accellerateur	1	mm 1100/80 TEC/HON
26	531207754	10800400	cavo acceleratore	accelerator cable	cable accellerateur	1	mm 1385/80 B&S
27	531205581	10135600	fascetta	clamp	colier	2	160X4,5
28	531207978	20101700	dado	nut	ecrou	4	M10 H8 UNI 5588-6S ZB
29	531205214	10121900	cuscinetto ruota	ball-bearing	roulement	8	
30	531204461	09135294	ruota posteriore	posterior wheel	roue posterieur	2	D210/26 TAC
31	531204936	10114804	tappo ruota	plug	bouchon	4	
32	531205042	10120090	vite	screw	vis	4	
33	531206644	10275100	rosetta	washer	rondelle	4	UNI 8840- B12(1 3/24/0,8
34	531208772	20655800	seeger	seeger	seeger	6	D.12E D IN 471
35	531208859	20761300	rondella temp.	washer	rondelle	2	D.12,4x17x0,3
36	531205045	10120160	pignone	pinion	pignon	1	DX
37	531207847	10831200	rondella piana	washer	rondelle	2	D.12/34/0,7 ZB
38	531208778	20657600	cuscinetto	ball-bearing	roulement	2	D.12/28/8 6001/2RS
39	531205705	10140023	assale posteriore	rear axle	assieu arriere	1	
41	531205046	10120170	pignone	pinion	pignon	1	SX
42	531206652	10281200	supporto superiore	bearing	support	2	
43	531207385	10602800	vite	screw	vis	4	TEFR 5x12 Z.B. Pa
44	531205754	10140350	molla	spring	ressort	1	
45	531205108	10121160	chiavetta	key	clavette	2	"S" 5x5(- 0,05)x19,2 DIAG
46	531205771	10140453	tubetto distanziale	spacer tube	toyau entretoise	1	MM. 98
47	531207375	10601400	cinghia	belt	courroie	1	Z 30-3/4 (10x785)3L320
48	531207699	10767700	riduttore	reducer	reducteur	1	HA/25 550-025MZ6
49	531207697	10766503	tubetto distanziale	spacer tube	toyau entretoise	1	
50	531208207	20135323	cestello sinistro	left side grass catcher	bac côte gauche	1	
51	531208203	20135313	cestello destro	right side grass catcher	bac côte droit	1	
52	531205547	10135330	tirante	tie rod	entretoise	1	D.8 x 330
53	531205545	10135303	cestello completo	grass catcher	bac complet	1	





## ELECTROLUX OUTDOOR PRODUCTS

brand	MEP
-------	-----

date	JAN/02	SHEET 3/3
------	--------	-----------

## MP - ER 550S

Pos.	PN ELX	PN MEP	DESCRIZIONE	DESCRIPTION	DESCRIPTION	Q.ty	NOTE
54	531207856	10831800	vite	screw	vis	13	TEFR 5x10
55	531205751	10140343	carter cinghia	belt housing	carter de courroie	1	
56	531205733	10140223	distanziale	spacer	entretoise	1	H.15
57	531205486	10135072	paratoia	deflector	dellecteur	1	ER
57	531205485	10135071	paratoia	deflector	dellecteur	1	MP
58	531205732	10140213	distanziale	spacer	entretoise	4	H.5
59	531206180	10155190	molla paratoia	spring	ressort	1	
60	531205731	10140190	tirante	tie rod	entretoise	1	
61	531205728	10140163	supporto manico	handle bearing	support guidon	1	
62	531205730	10140173	supporto manico	handle bearing	support guidon	1	
63	531205741	10140310	vite	screw	vis	4	TTSQ M8x16TF QUAD.H2,5 ZB
64	531207982	20106300	dado	nut	ecrou	11	M8 H8 UNI 5587-6S ZB
65	531205557	10135413	fermacavo	cable lock	arret du cable	1	
66	531205747	10140333	copriuota	housing	carter	1	SX
67	531205743	10140323	copriuota	housing	carter	1	DX
68	531205740	10140290	vite	screw	vis	4	TTTCFR D4x12 2F
69	531205734	10140250	convogliatore	deflector	dellecteur	1	
70	531207838	10830300	vite	screw	vis	1	E M5x16 UNI 5739-8,8-ZB
71	531205699	10140012	scocca	deck	chassis	1	MP
71	531205698	10140011	scocca	deck	chassis	1	ER
72	531205715	10140090	molla asta	spring	ressort	1	
73	531205736	10140263	asta	rod	tige	1	
74	531206653	10281400	copiglia	cotter pin	goupille	2	1,8 x 33
75	531205720	10140113	tappo	plug	bouchon	1	
76	531205726	10140147	distanziale	spacer	entretoise	1	
77	531205717	10140103	manopola	knob	poignée	1	
78	531205738	10140270	rondella	washer	rondelle	1	D.38,5x73x1
79	531205739	10140280	rondella	washer	rondelle	1	D.38,5x50x1
80	531205724	10140137	bussola	bush	douille	1	
81	531205723	10140127	vite	screw	vis	1	
82	531208425	20228705	vite	screw	vis	1	TE M6x35 UNI 5737-8,8-ZB
83	531205706	10140033	assale anteriore	front axle	assieu avant	1	D170/26 TAC
84	531205536	10135270	supporto ass.ant.	support	support	2	
85	531204395	09121574	ruota anteriore	front wheel	roue anterieur	2	D170/26 RIG-ER
85	531204371	09120084	ruota anteriore	front wheel	roue anterieur	2	D170/26 TAC-MP
86	531204907	10100900	chiavetta	key	clavette	2	4x6,5 UNI6606 WODRUF
87	531207107	10407800	vite	screw	vis	3	TE M8x65 UNI 5737-8,8-ZB
87	531206681	10291000	vite	screw	vis	2	TE M8x60
	531205768	10140420				1	TE 8x90
88	531207981	20106200	rondella dent.	washer	rondelle	7	D.8E DIN 6798
90	531207848	10831300	supporto lama	support	support	1	
91	531207622	10700100	lama	blade	lame	1	
93	531207243	10531700	rondella frizione	washer	rondelle	1	FRIZ.17,2x50x1,- 5+0,1
94	531207237	10530900	rondella elastica	washer	rondelle	1	11x50x2,5
95	531206649	10280901	vite lama	screw	vis	1	TE D.3/8" UNFX65(8,8)
96	531208259	20140373	sacco nero	sac	sac	1	
97	531205763	10140393	copr.sacco /telaio	sack frame upper	cadre sac superieur	1	
99	531204522	09140413	sacco completo	grass catcher	sac complete	1	
102	531208899	20768203	puleggia riduttore	gear pulley	poulie reducteur	1	
103	531207703	10768400	spina elastica	resilient pin	goupille expansible	1	
104	531208043	20121983	supporto cavo	support	support	1	
106	531205848	10141313	innesto	clutch	embrayage	1	D.1/2"
107	531204609	09141294	ruota	wheel	roue	2	D210/26-OPT
108	531204607	09141284	ruota	wheel	roue	2	D170/26 -OPT
109	531205850	10141333	tappo	plug	bouchon	1	
110	531208216	20135720	vite	screw	vis	3	TCTC 2F.D.5x16AC

