

# ST. S.P.A.

## FW 33 B (2013)

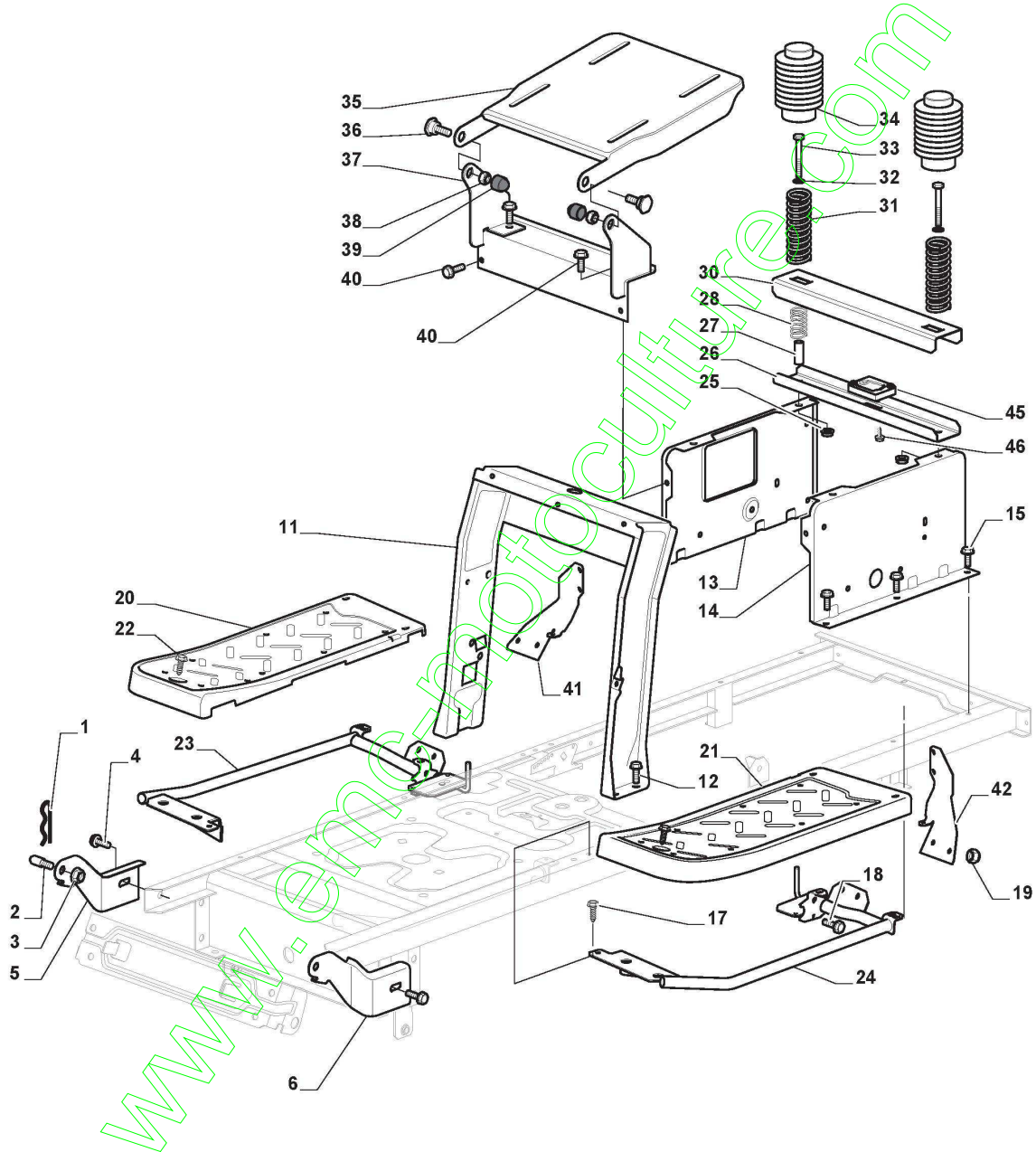
2T2000207/VL

**Spare parts list**  
**Reservdelar**  
**Repuestos**  
**Ersatzteile**  
**Pièces détachées**  
**Reserve onderdelen**  
**Catalogo ricambi**

[www.emc-motoculture.com](http://www.emc-motoculture.com)

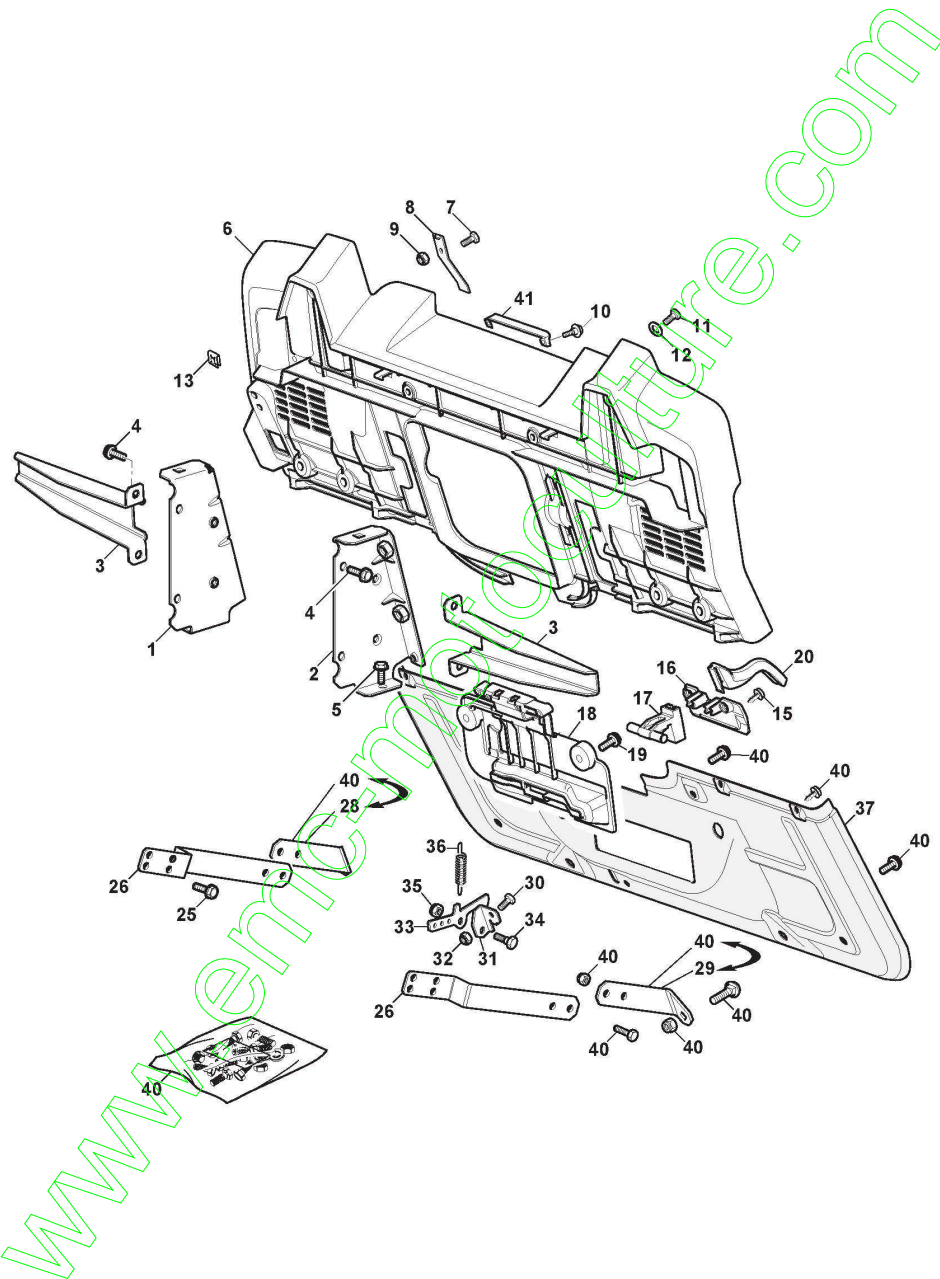
- Use ST. S.p.A. Genuine Spare Parts specified in the parts list for repair and/or replacement.
- The contents described in the parts list may change due to improvement.
- The drawings of the spare parts are only indicative And might Not represent the part in question exactly.
- The indications "right" - "left" - "front" - "rear" refer to the position of the operator when using the machine.
- When placing orders of parts for repair And/Or replacement, make sure that the illustrated parts list Is the one applying to the machine's year of manufacture, as shown on the identification plate attached to the machine.

All rights reserved. No part Of this material may be reproduced Or transmitted, in any form Or by any means, electronic Or mechanical, including photocopying, recording Or by any information storage And retrieval system, without permission in writing from ST. S.p.A.



# Chassis

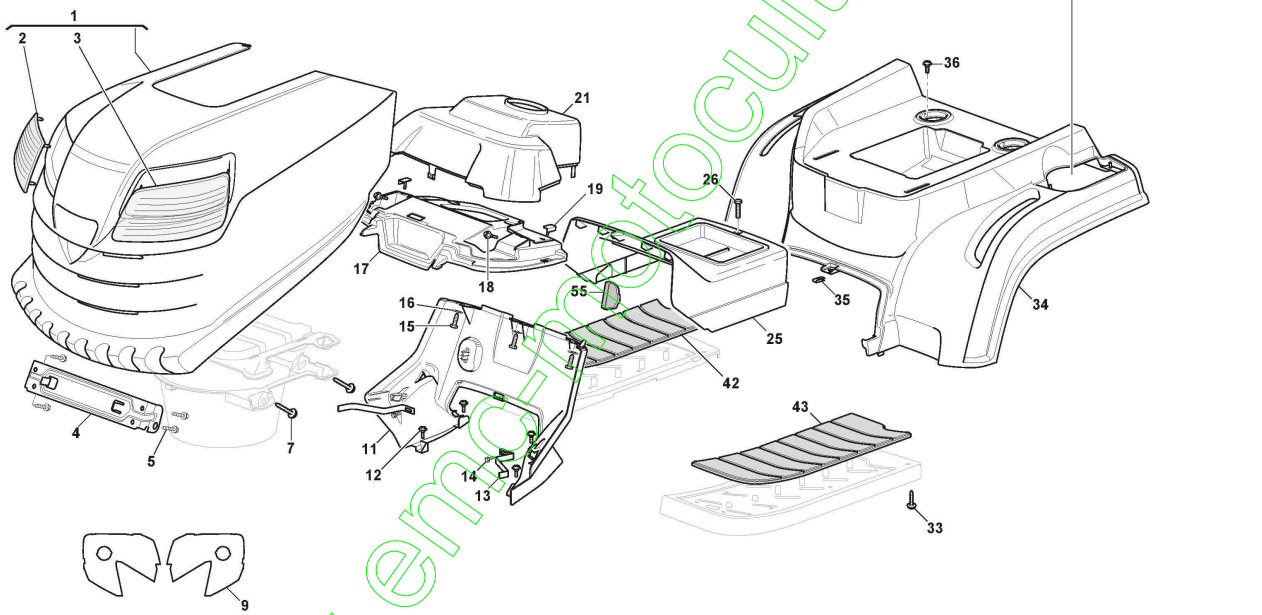
Réf. N°	Q.té :	Code article	Description	Articles	De	Jusqu'à
1	1	124487998/0	Goupille			
2	2	125510079/0	Pivot			To S/N
2	2	125510169/0	Pivot		From S/N 19DA3RON 003315	
3	2	112155000/0	Ecrou			
4	2	112735599/0	Vis			
5	1	325547225/0	Plaquette Droit			
6	1	325547227/0	Plaquette Gauche			
11	1	382785169/1	Support Tube De Direction			
12	4	125943009/0	Vis			
13	1	325785331/1	Support Siege Droit			
14	1	325785333/1	Support Siege Gauche			
15	6	125943009/0	Vis			
17	2	125943009/0	Vis			
18	2	125943009/0	Vis			
19	10	112155000/0	Ecrou			
20	1	325500041/1	Marchepied Droit			
21	1	325500043/1	Marchepied Gauche			
22	2	112735599/0	Vis			
23	1	382785223/0	Support Marchepied			
24	1	382785221/0	Support Marchepied			
25	2	112293201/0	Ecrou			
26	1	325820109/1	Support Siege			
27	2	125160048/0	Entretoise		From 01-Septem ber-2014	To
27	2	125160077/0	Entretoise			
28	2	125430263/0	Ressort			
30	1	325820111/0	Barre support interrupteur de siège			
31	2	125430264/0	Ressort			
32	2	112521350/0	Rondelle			
33	2	112691400/0	Vis			
34	2	325122002/0	Protecteur			
35	1	382547061/0	Plaquette			
36	2	122524970/2	Pivot			From S/N
36	2	122524970/3	Goupille		From S/N 88153	To S/N
37	1	382820151/0	Support Siege			
37	1	382820151/1	Support Siege		From S/N 20EA3RON 000612	
38	2	112155010/0	Ecrou			
39	2	118203854/0	Capot			
40	12	125943009/0	Vis			
41	1	325650155/0	Support			To S/N
41	1	325650155/1	Support		From S/N 00271854	To S/N
41	1	325650155/2	Support		From S/N 20BA3RON 006585	To S/N
42	1	325650157/0	Support			
42	1	325650157/1	Support		From S/N DD325495	To S/N
42	1	325650157/2	Support		From S/N	20AA3RON 007470
45	1	325785379/0	Support			
46	2	112728686/0	Vis			



# Frame - Rear Plate

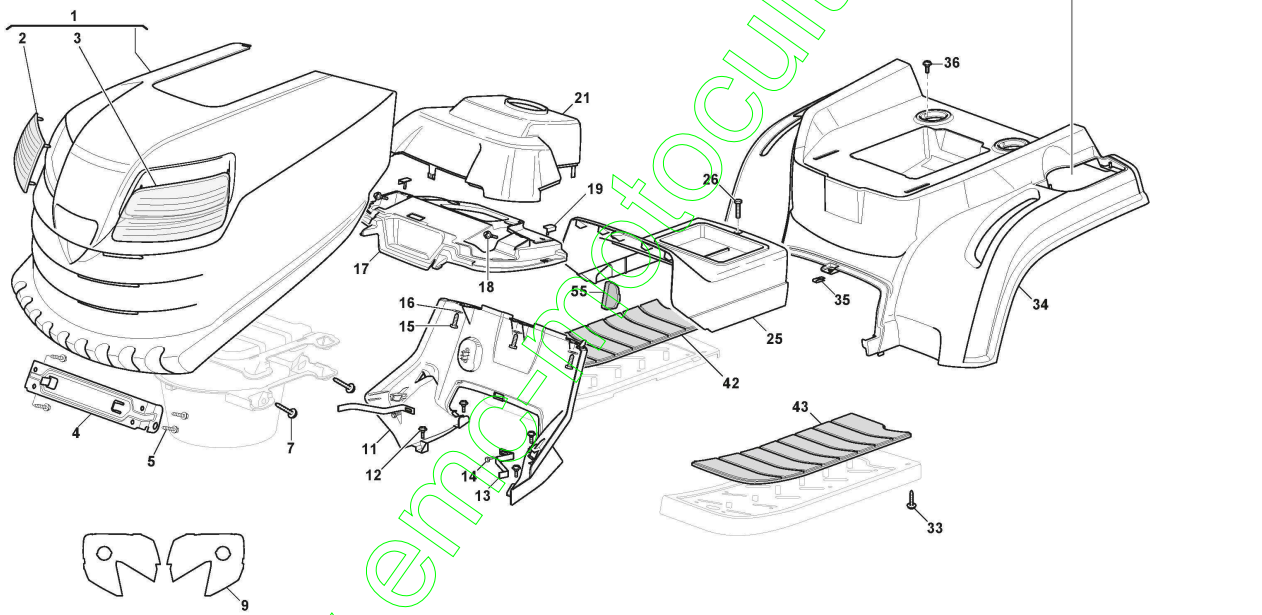
Réf. N°	Q.té :	Code article	Description	Articles	De	Jusqu'à
1	1	325774501/0	Bride Droit			
2	1	325774507/0	Etrier Gauche			
3	2	325650163/0	Renforcement			
4	8	125943009/0	Vis			
5	2	125943009/0	Vis			
6	1	325547299/0	Plaque Arriere, Partie Superieur			
7	1	112789008/0	Vis			
8	1	127430554/0	Ressort			To
8	1	127430600/0	Ressort		From 01-Septem ber-2013	
9	1	112154330/0	Ecrou			
10	4	125943010/0	Vis			
11	6	112789008/0	Vis			
12	6	112521320/0	Rondelle			
13	6	112437503/0	Plaquette			
15	2	112728686/0	Vis			
16	1	325109522/0	Couvercle Protection			
17	1	325318276/0	Levier			
18	1	325785400/0	Support			To
18	1	325785428/0	Support		From 01-Septem ber-2012	
19	2	125943010/0	Vis			
20	1	325318277/0	Levier			
25	4	125943009/0	Vis			
26	2	325774521/0	Etrier			
28	1	325650151/0	Renforcement			
29	1	325650153/0	Renforcement			
30	1	112789008/0	Vis			
31	1	325755061/0	Etrier			
32	1	112154330/0	Ecrou			
33	1	325774533/0	Etrier			
34	1	125510080/1	Pivot			To
34	1	125510080/2	Pivot		From 01-Septem ber-2015	
35	1	112154510/0	Ecrou			
36	1	125430282/0	Ressort			
37	1	382547071/0	Plaque Arriere, Partie Inferieur			
40	1	382180121/0	Dotation Visserie			
41	1	325600107/0	Protection Micro			

www.emc-motoculture.com



# Carrosserie

Réf. N°	Q.té :	Code article	Description	Articles	De	Jusqu'à
1	1	325076899/0	Capot Noir	Only Bonnet - Grill must be ordered separately		To S/N DD232843
1	1	325076899/1	Capot Noir	Only Bonnet - Grill must be ordered separately	From S/N DD232844	
1	1	325076916/0	Capot Blanc	Only Bonnet - Grill must be ordered separately		To S/N DD238067
1	1	325076916/1	Capot Blanc	Only Bonnet - Grill must be ordered separately	From S/N DD238068	
1	1	382076954/0	Capot du moteur, Rouge			To S/N DD238067
1	1	382076954/1	Capot du moteur, Rouge		From S/N DD238068	To S/N DD238067
1	1	382076954/2	Capot du moteur, Rouge		From S/N DD279549	
1	1	382076955/0	Capot du moteur, Jaune			To S/N DD279548
1	1	382076955/1	Capot du moteur, Jaune		From S/N DD238068	To S/N DD279548
1	1	382076955/2	Capot du moteur, Jaune		From S/N DD238068	
1	1	382076958/0	Capot du moteur, Gris			To S/N DD238067
1	1	382076958/1	Capot du moteur, Gris		From S/N DD238068	
1	1	382076978/0	Capot du moteur, Rouge			
2	1	325410887/0	Panneau Droit			
3	1	325410888/0	Panneau Gauche			
4	1	325785317/0	Support Capot			
5	4	112735403/0	Vis			
7	4	112728692/0	Vis			
9	1	114363452/0	Autocollant Parabole Phare			
11	1	325785298/0	Support Tableau Comm.			
12	4	125943010/0	Vis			
13	2	325270325/0	Guide			
14	2	112735599/0	Vis			
15	3	112735406/0	Vis			
16	3	112523040/0	Rondelle			
17	1	325120209/0	Console			To S/N DD251286
17	1	325120259/0	Console		From S/N 88417	To S/N DD251286
17	1	325120259/1	Console		From S/N DD230508	To S/N DD230508
17	1	325120259/2	Console		From S/N 230508	
18	2	125943010/0	Vis			
19	2	325260003/0	Caoutchouc			
21	1	325120203/0	Couverture de tableau			
25	1	325110383/1	Couvre, Rouge			To S/N DD274539
25	1	325110383/2	Couvre, Rouge		From S/N DD274539	
25	1	325110396/1	Couvre Central Jaune			To S/N DD292451
25	1	325110396/2	Couvre Central, Jaune		From S/N DD292451	
25	1	325110397/1	Couvre Central Noir			
25	1	325110398/1	Couvre Central Gris			
25	1	325110423/0	Couvre, Blanc			
25	1	325110478/0	Couvre Central Rouge			
26	1	125943010/0	Vis			
33	4	112735406/0	Vis			
34	1	325110432/0	Couvre Roues Rouge			To S/N DD197342
34	1	325110432/1	Couvre Roues Rouge		From S/N DD197342	
34	1	325110433/0	Couvre-Roues Blanc			
34	1	325110435/0	Couvre-Roues Noir			

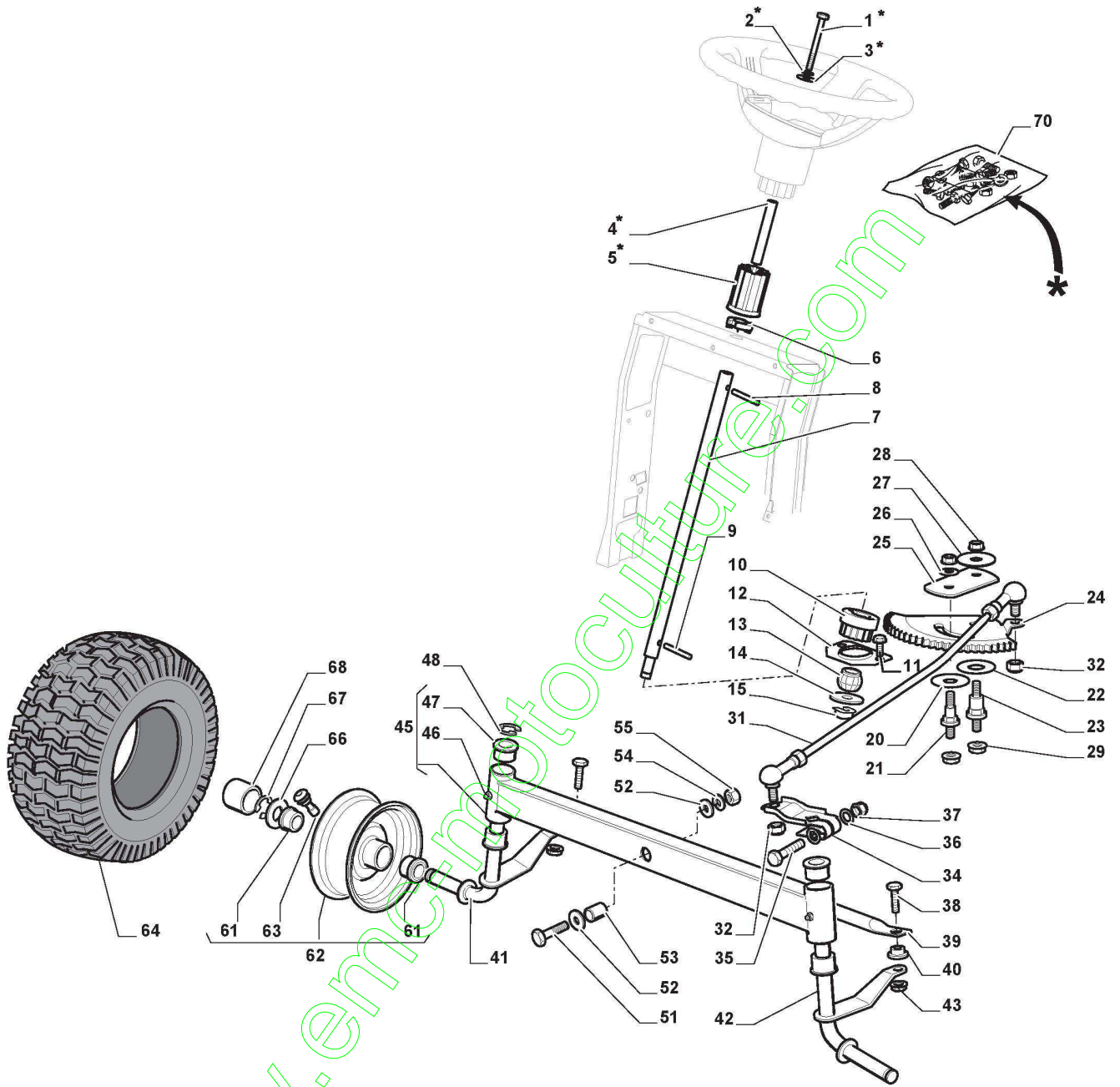




# Carrosserie

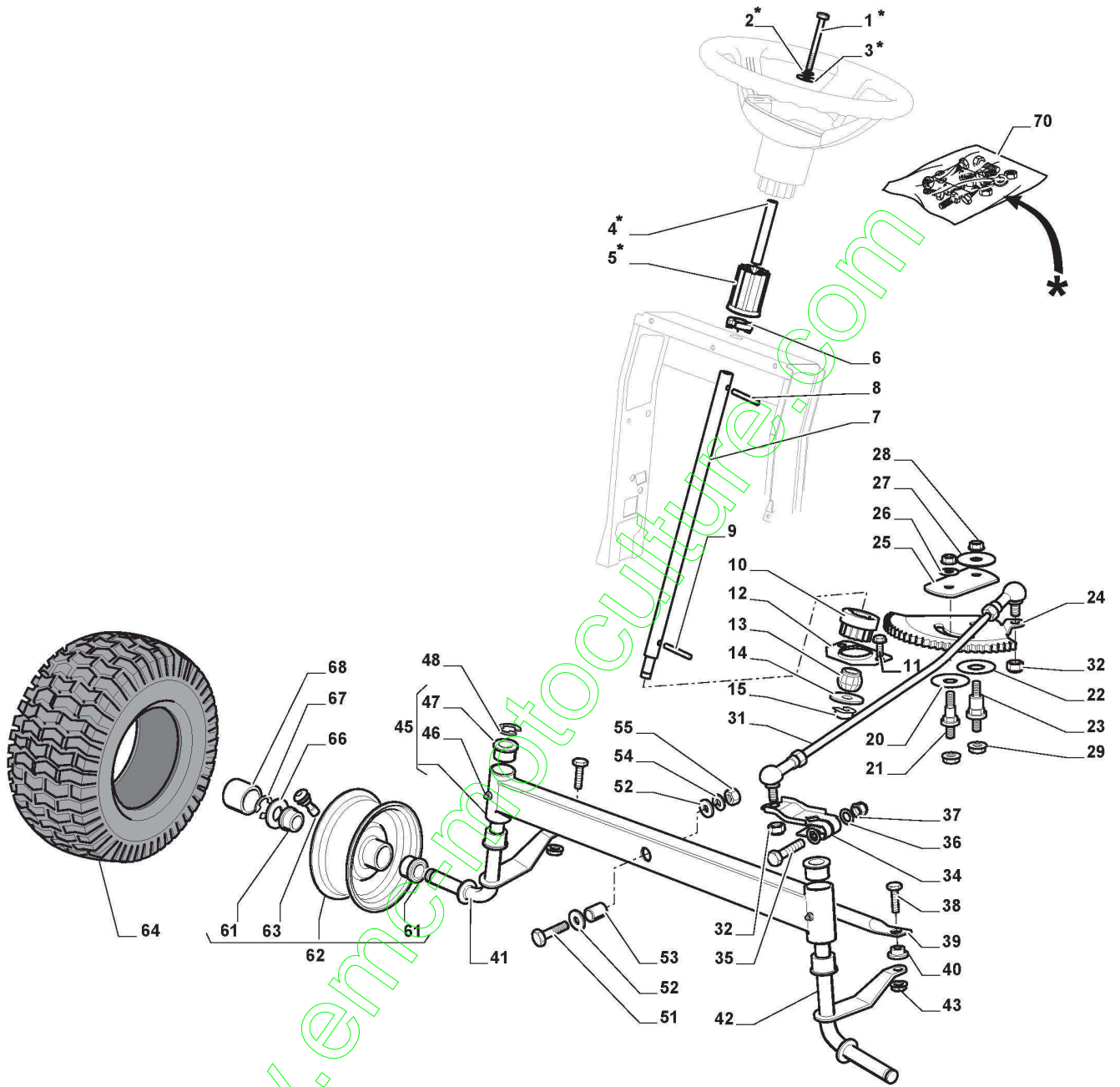
Réf. N°	Q.té :	Code article	Description	Articles	De	Jusqu'à
34	1	325110438/0	Couvre Roues Jaune			To S/N 231153
34	1	325110438/1	Couvre Roues Jaune		From S/N 231153	
34	1	325110442/0	Couvre Roues Gris			
34	1	325110480/0	Couvre Roues Rouge			
35	1	112437506/0	Plaquette			
36	2	125943010/0	Vis			
42	1	325110384/0	Couvre Marchepied Droit	As Optional - Not present on all assortment		
43	1	325110385/0	Couvre Marchepied Gauche	As Optional - Not present on all assortment		
55	1	325207191/0	Plaquette	Not needed for Hydro Models		
60	1	325207198/0	Couvercle			
61	1	325207199/0	Couvercle			
62	4	112735403/0	Vis			
63	1	325207196/0	Couvercle			
64	1	325207197/0	Couvercle			

www.emc-motoculture.com



## Barre De Direction

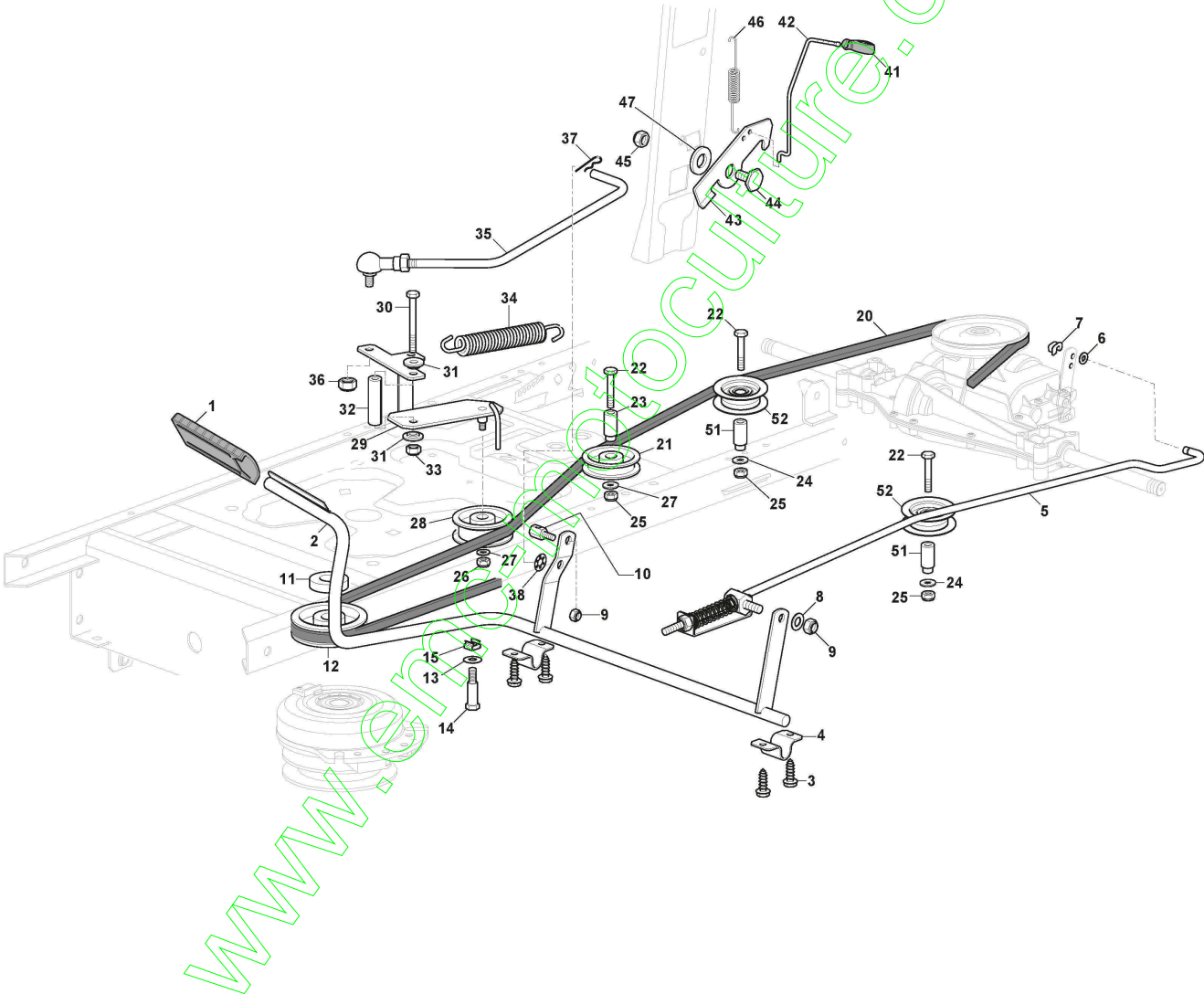
Réf. N°	Q.té :	Code article	Description	Articles	De	Jusqu'à
1	1	112692050/0	Vis			
2	1	112540260/0	Rondelle			
3	1	112523070/0	Rondelle			
4	1	125160047/0	Entretoise			
5	1	325785318/0	Support			
6	1	325038008/0	Douille			
7	1	125520007/0	Tube De Direction			
8	1	112620300/0	Goupille 6x50			
9	1	112622650/0	Goupille			
10	1	125570003/0	Pignon			
11	2	127943051/0	Vis			
12	1	325785213/1	Support			
13	1	325743000/0	Joint			
14	1	112521370/0	Rondelle			
15	1	112436030/0	Plaquette			
20	1	322672151/0	Rondelle Antifriction			
21	1	125510104/0	Pivot			
22	1	125670023/0	Rondelle			
23	1	125510109/0	Pivot			
24	1	325735519/0	Secteur Direction			
25	1	325547233/0	Plaquette			
26	1	112369500/0	Disque Elastique			
27	1	122160400/0	Disque Elastique			
28	2	112155010/0	Ecrou			
29	2	112154210/0	Ecrou			
31	1	382000566/1	Barre De Direction			
32	2	112156602/0	Ecrou			
34	1	325318243/0	Levier			
35	1	112692390/0	Vis			
36	2	112521360/0	Rondelle			
37	1	112156602/0	Ecrou			
38	2	125510103/0	Pivot			
39	1	325840029/0	Tirant			
40	2	325038007/0	Douille			
41	1	382230373/0	Fuseau Droit			
42	1	382230375/0	Fuseau Gauche			
43	2	112155000/0	Ecrou			
45	1	382034030/0	Balancier Avec Douille Et Graisseur			
46	2	112379511/0	Graisseur			
47	4	125034002/1	Douille			
48	1	112001010/0	Anneau Benzing			
51	1	112692695/0	Vis			
52	2	112523100/0	Rondelle			
53	1	125160016/0	Entretoise			To
53	1	125160016/1	Entretoise		From 01-Septem ber-2013	
54	1	112587100/0	Grower			
55	1	112295300/0	Ecrou			
61	4	125122200/2	Roulement			



# Barre De Direction

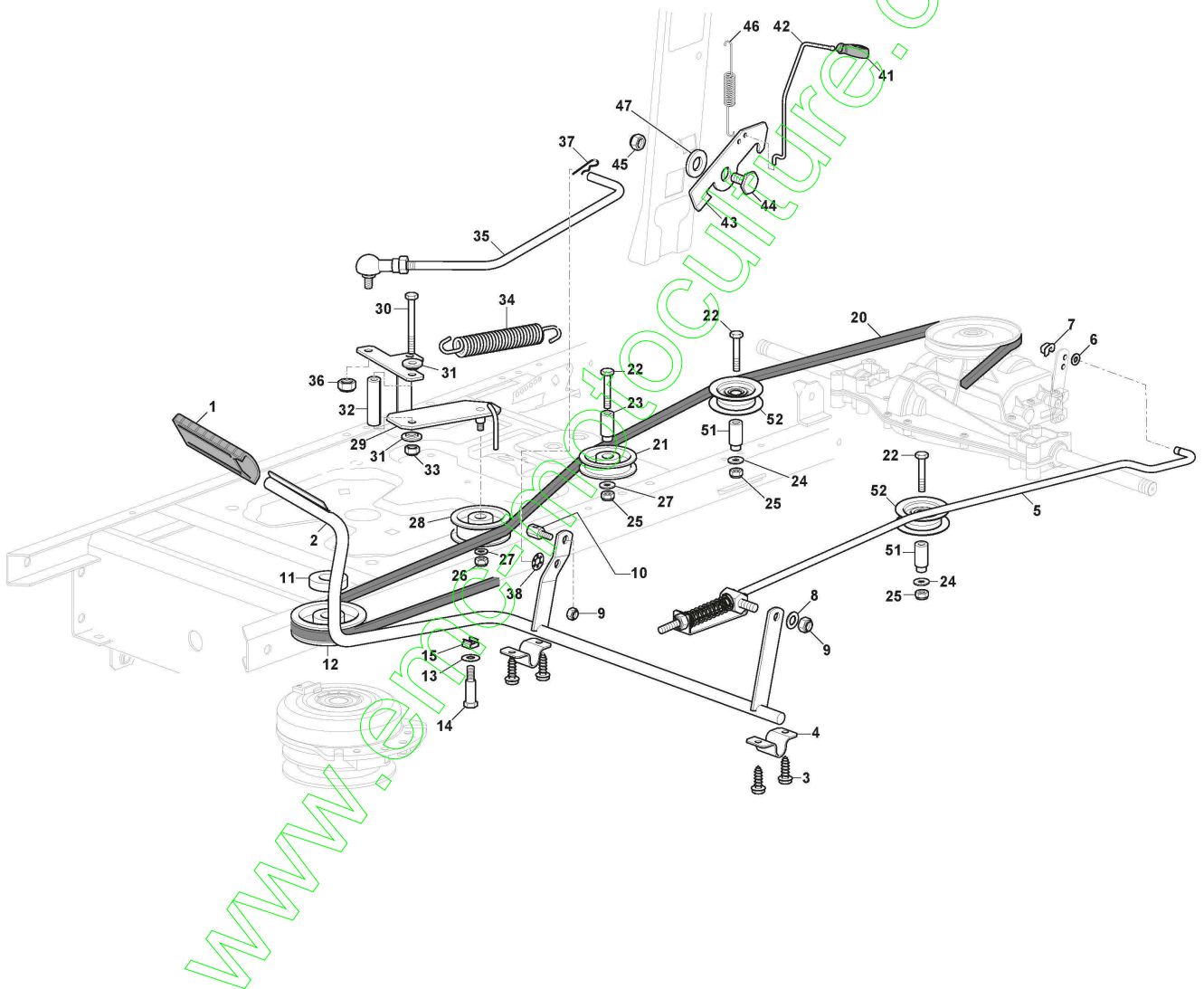
Réf. N°	Q.té :	Code article	Description	Articles	De	Jusqu'à
62	2	182000598/0	Bandage Roue			
63	2	125950000/0	Vanne			
64	2	125590019/0	Pneu 15x6.00-6 P512 (WANDA)	For other ST Brand	From 01-September-2016	To
64	2	127590066/0	Pneu 15x6.00-6 WANDA	For other ST Brand		To
66	2	125670005/1	Rondelle			To
66	2	125670005/2	Rondelle		From	To 31-August-2014
67	2	112001010/0	Anneau Benzing			
68	2	322110233/0	Couvre Moyeu			
70	1	382180124/0	Dotation Visserie			

www.emc-motoculture.com



# Commande Frein Et Boite De Vitesse

Réf. N°	Q.té :	Code article	Description	Articles	De	Jusqu'à
1	1	325110391/0	Couvre Etrier			
2	1	382500047/0	Pedal			To S/N 00000000
2	1	382500047/1	Pedal		From S/N 00088627	
3	4	112735599/0	Vis			
4	2	325547231/0	Plaquette			
5	1	382000568/0	Tige			
6	4	112521350/0	Rondelle			
7	1	112436050/0	Plaquette			
8	1	325670011/0	Rondelle Antifriccion			
9	4	112155000/0	Ecrou			
10	1	125510116/0	Pivot			
11	1	125160021/0	Entretoise			
12	1	125601567/0	Poulie			
13	2	112524010/0	Rondelle			
14	2	125580030/0	Cheville Guide De Courroie			
15	2	112360425/0	Ecrou			
20	1	135062012/0	Courroie			
20	1	135062018/0	Courroie			
21	1	125601555/0	Poulie	Bearing hole ø16		
21	1	325601599/0	Poulie	Bearing hole ø15		
22	3	112691400/0	Vis			
23	1	125160051/0	Entretoise			To S/N 00000000
23	1	125160083/0	Entretoise		From S/N 00088194	
24	3	112523060/0	Rondelle			
25	3	112155000/0	Ecrou			
26	1	112155000/0	Ecrou			
27	1	112523060/0	Rondelle			
28	1	125601554/0	Poulie			
29	1	382318283/0	Levier			
30	1	112691600/0	Vis			
31	2	125038002/1	Douille			To S/N DD266855
31	2	125038021/0	Douille		From S/N 00000000	
32	1	125160027/0	Entretoise			
33	1	112155000/0	Ecrou			
34	1	125430262/0	Ressort			
35	1	382820016/1	Ens. Tirant			
36	1	112293201/0	Ecrou			
37	1	124487997/0	Goupille			
38	1	112604899/0	Fixateur A Couronne			
41	1	125394509/1	Poignée			
42	1	125033113/0	Tige			
43	1	325253011/1	Accrochage			
44	1	122524970/2	Pivot			From S/N 88152
44	1	122524970/3	Goupille		From S/N 00000000	
45	1	112155000/0	Ecrou			
46	1	125430213/0	Ressort			
47	1	112523060/0	Rondelle			
51	2	125160068/0	Entretoise			

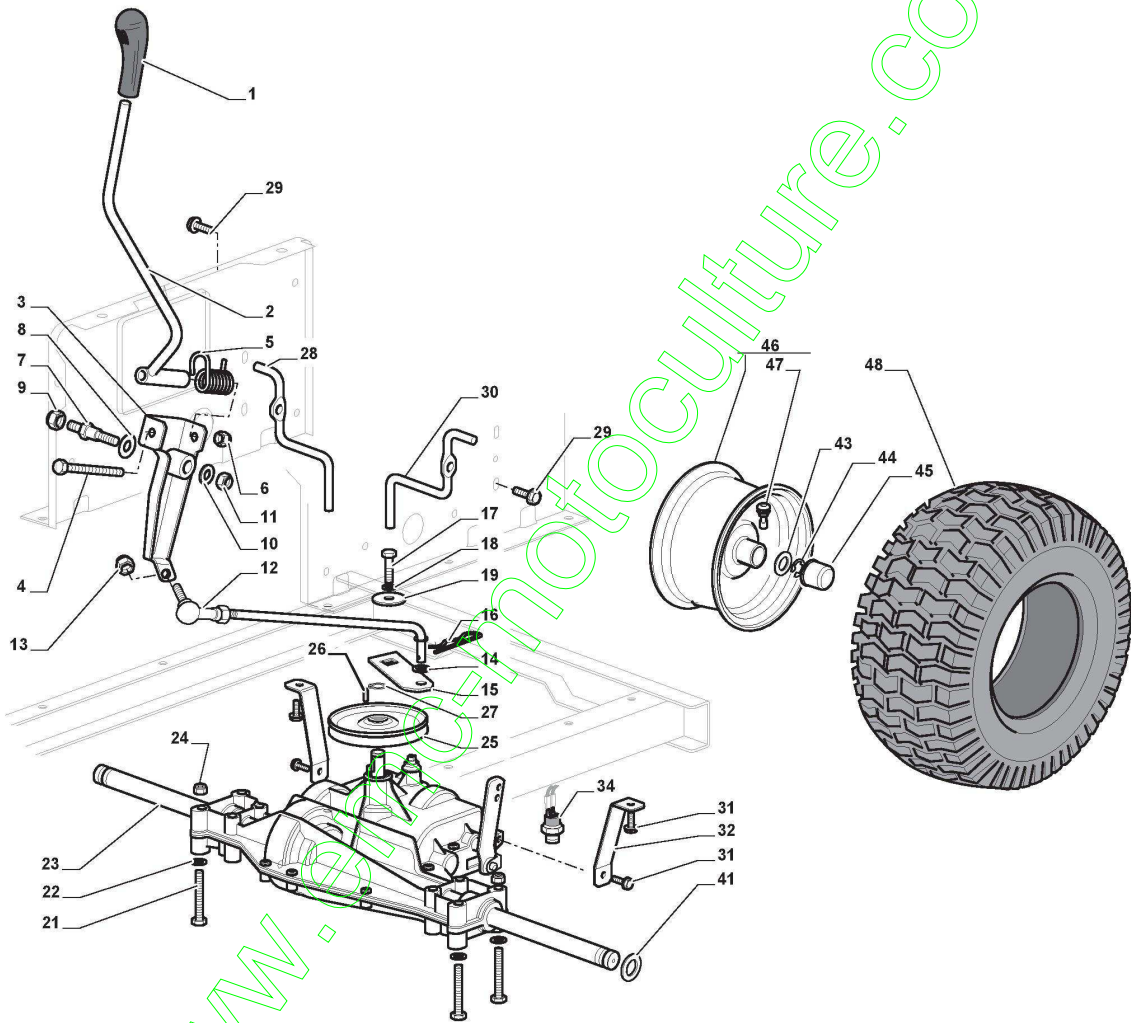




Commande Frein Et Boite De Vitesse

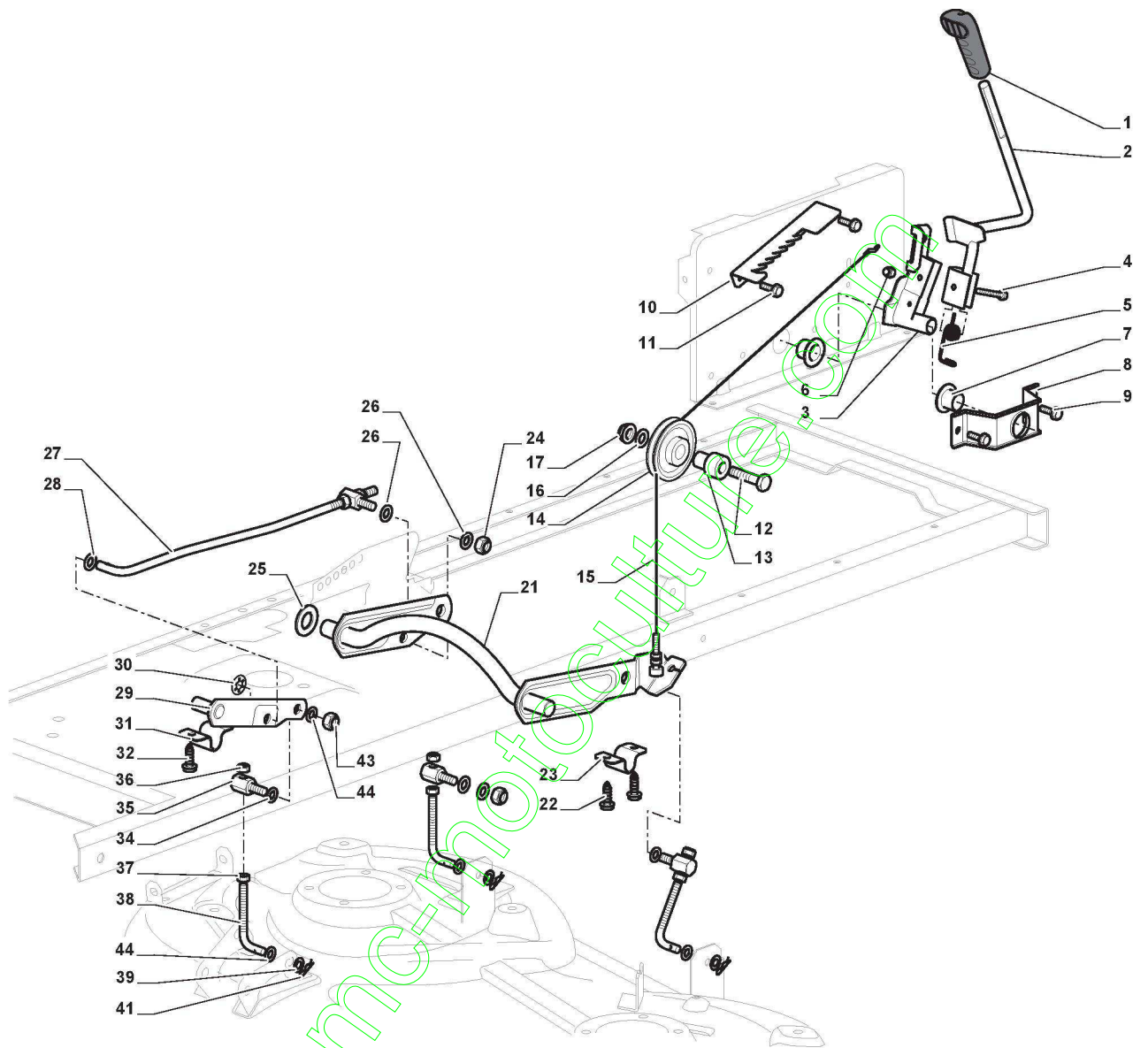
Réf. N°	Q.té :	Code article	Description	Articles	De	Jusqu'à
52	2	125601592/0	Poulie			

www.emc-motoculture.com



## Transmission Mécanique - Peerless

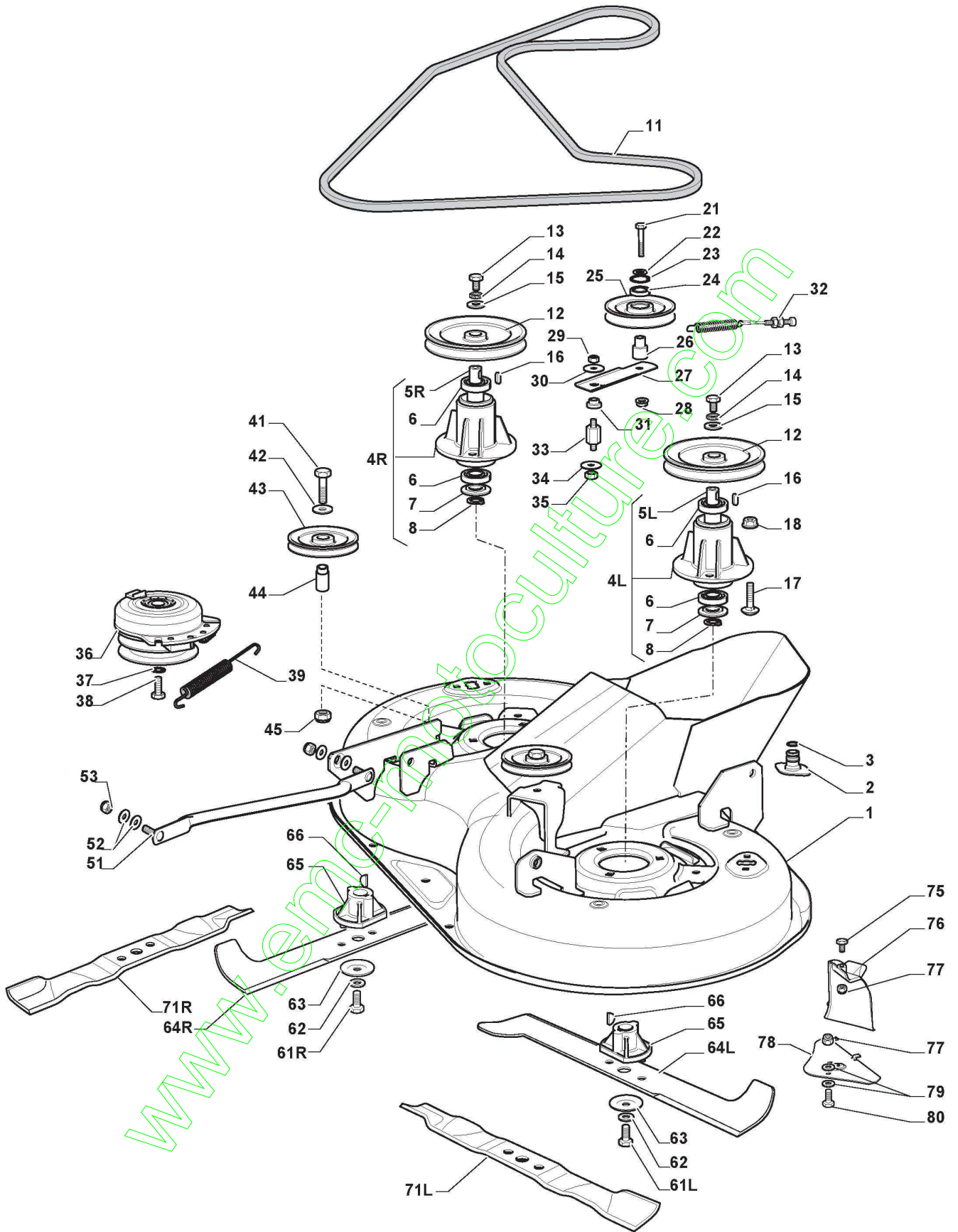
Réf. N°	Q.té :	Code article	Description	Articles	De	Jusqu'à
1	1	325394532/0	Poignée			
2	1	382318257/0	Levier			
3	1	382774259/0	Etrier			
4	1	112692050/0	Vis			
5	1	125430226/0	Ressort			
6	1	112155000/0	Ecrou			
7	1	125510035/0	Pivot			
8	1	322672151/0	Rondelle Antifriction			
9	1	112155010/0	Ecrou			
10	1	112523060/0	Rondelle			
11	1	112155010/0	Ecrou			
12	1	382000649/0	Tige			
13	1	112154210/0	Ecrou			
14	1	112521340/0	Rondelle			
15	1	325318235/0	Levier			
16	1	112141418/0	Goupille			
17	1	112735520/0	Vis			
18	1	112540040/0	Rondelle			
19	1	322680009/0	Rondelle			
21	4	112691600/0	Vis			
22	4	112521350/0	Rondelle			
23	1	118400910/2	Boîte-pont Mécanique - Peerless (MST 205-535G)			
24	4	112155000/0	Ecrou			
25	1	182601509/0	Poulie			
26	1	112139430/0	Languette			
27	1	112608950/0	Seeger			
28	1	125270329/0	Guide Curroire			
29	2	112735599/0	Vis			
30	1	125270330/0	Guide Curroire			
31	4	125943009/0	Vis			
32	2	325785315/0	Support			
34	1	119410608/1	Micro. Point Mort (Mec.)			
41	2	125670005/1	Rondelle			
43	6	125670005/1	Rondelle			
44	2	112001010/0	Anneau Benzing			
45	2	322110233/0	Couvre Moyeu	Standard Black Cover		
46	2	182000599/0	Bandage Roue			
47	2	125950000/0	Vanne			
48	2	125590015/0	Pneu 18x8.50-8 P332 (WANDA)			



www.energimotoculture.com

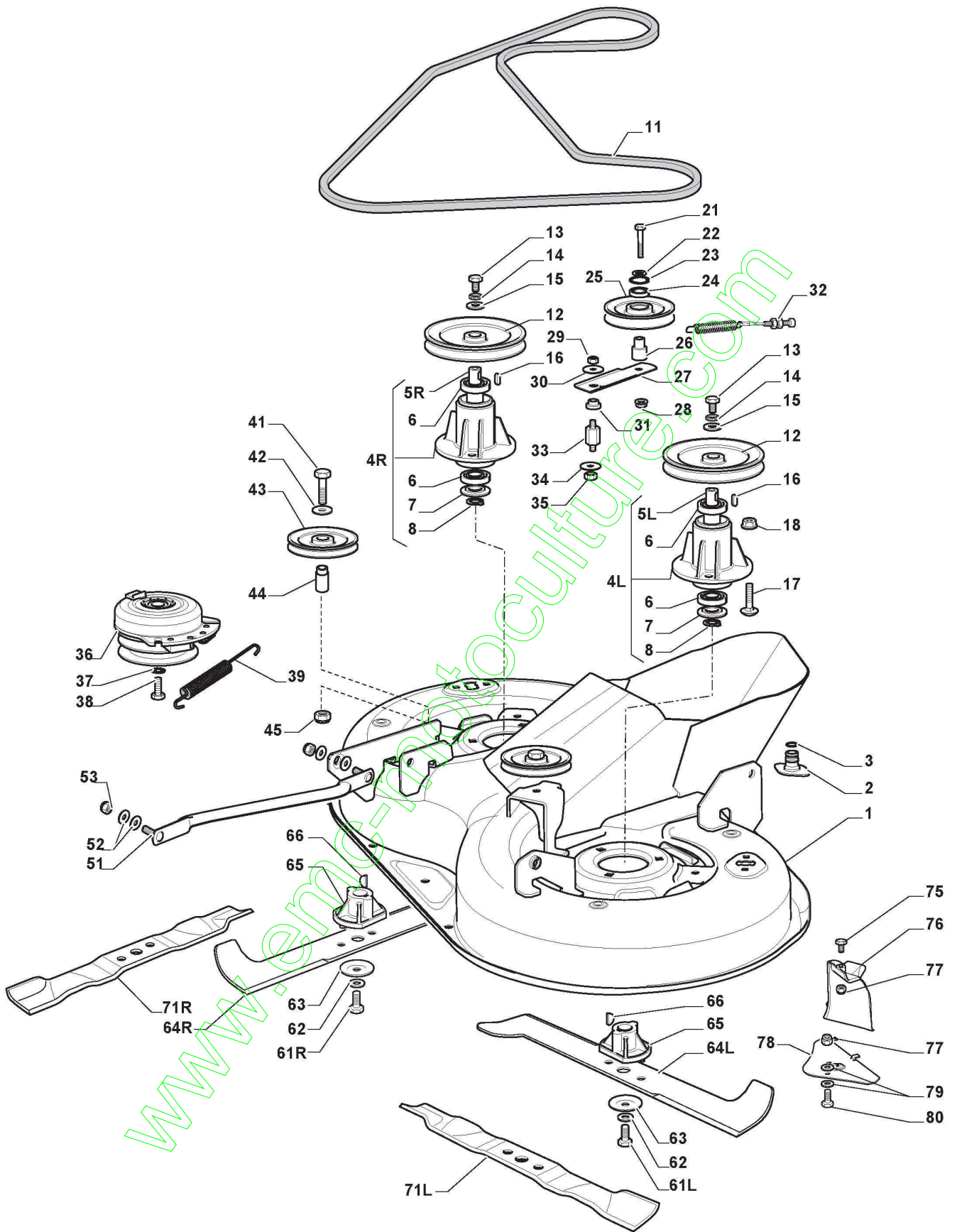
# Soulevement Plateau De Coupe

Réf. N°	Q.té :	Code article	Description	Articles	De	Jusqu'à
1	1	325394533/0	Poignée			
2	1	382318255/0	Levier			
3	1	382318231/0	Axe			
4	1	112674700/0	Vis			
5	1	125430261/0	Ressort			
6	1	112154510/0	Ecrou			
7	2	325038006/0	Douille			
8	1	325785297/0	Support			
9	2	125943009/0	Vis			
10	1	325735515/0	Secteur Direction			
11	2	125943009/0	Vis			
12	1	112793701/0	Vis			
13	1	125040636/0	Douille			
14	1	125601579/0	Poulie			
15	1	382004620/0	Fil			
16	1	112523060/0	Rondelle			
17	1	112293201/0	Ecrou			
21	1	382318253/0	Axe	for correct replacement, please check Service Bulletin RO_043		
22	4	112735599/0	Vis			
23	2	325547231/0	Plaquette			
24	1	112155000/0	Ecrou			
25	2	112521390/0	Rondelle			
26	2	325670011/0	Rondelle Antifriction			
27	1	382000569/1	Tige De Connexion	for correct replacement, please check Service Bulletin RO_043		
28	1	112521350/0	Rondelle			
29	1	382318237/0	Axe	for correct replacement, please check Service Bulletin RO_043		
30	1	112604899/0	Fixateur A Couronne			
31	1	325547231/0	Plaquette			
32	2	112735599/0	Vis			
34	3	325670008/1	Rondelle			
35	3	125510107/1	Pivot			
36	3	112156602/0	Ecrou			
37	3	112295200/0	Ecrou			
38	1	125840012/0	Tirant			
39	3	112523060/0	Rondelle			
39	3	325670008/1	Rondelle		From	To 31-August- 2013
41	3	124487998/0	Goupille			
43	3	112156602/0	Ecrou			
44	6	325670008/1	Rondelle			



# Plateau De Coupe avec Embrayage Electromagnétique

Réf. N°	Q.té :	Code article	Description	Articles	De	Jusqu'à
1	1	382564114/0	Plateau De Coupe Noir			
2	2	325033086/0	Raccord Tuyau D'Eau			
3	2	119035000/0	Joint Or			
4	1	382207205/0	Ensamble Bride	Pos. 4R		To
4	1	382207205/1	Ensamble Bride	Pos. 4R	From	
4	1	382207206/0	Ensamble Bride	Pos. 4L	01-Septem ber-2015	To
4	1	382207206/1	Ensamble Bride	Pos. 4L	From	To
5	1	125020804/0	Arbre Lame	Pos. 5L	01-Septem ber-2015	31-August- 2016
5	1	125020805/0	Arbre Lame, Droite	Pos. 5R		
6	4	119216041/0	Roulement		From	
6	4	119216049/0	Roulement			To
7	2	325160501/0	Protege-Poussiere			31-August- 2014
8	2	112609260/0	Seeger			
11	1	135061508/0	Courroie			
12	2	125601585/1	Poulie			
13	2	112793102/0	Vis			
14	2	112540260/0	Rondelle			
15	2	125670007/0	Rondelle			
16	2	112139480/0	Clavette			
17	6	112818690/0	Vis			
18	6	112154210/0	Ecrou			
21	1	112691400/0	Vis			
22	1	112524010/0	Rondelle			
23	1	112610800/0	Anneau Ressort			
24	1	119216041/0	Roulement		From	
24	1	119216048/0	Roulement		01-Septem ber-2014	To
25	1	125601595/0	Poulie			
26	1	125160052/0	Entretoise			
27	1	325318289/0	Levier			
28	1	112293201/0	Ecrou			
29	1	112155020/0	Ecrou			
30	1	125670022/0	Rondelle			
31	1	125040635/0	Douille			
32	1	382004618/0	Fil			
33	1	125160049/0	Entretoise			
34	1	112523080/0	Rondelle			
35	1	112156602/0	Ecrou			
36	1	118399069/0	Embrayage électromagnétique	Warner		
37	1	112543000/0	Rondelle			
38	1	112737320/0	Vis			
39	1	125430277/0	Ressort			
41	2	112691400/0	Vis			
42	2	112523060/0	Rondelle			
43	2	125601555/0	Poulie	Bearing hole ø16		To
43	2	325601599/0	Poulie	Bearing hole ø15	From	
44	2	125160069/0	Entretoise		01-Septem ber-2013	To S/N
44	2	125160082/0	Entretoise		From S/N	0008100
45	2	112155000/0	Ecrou		00088194	

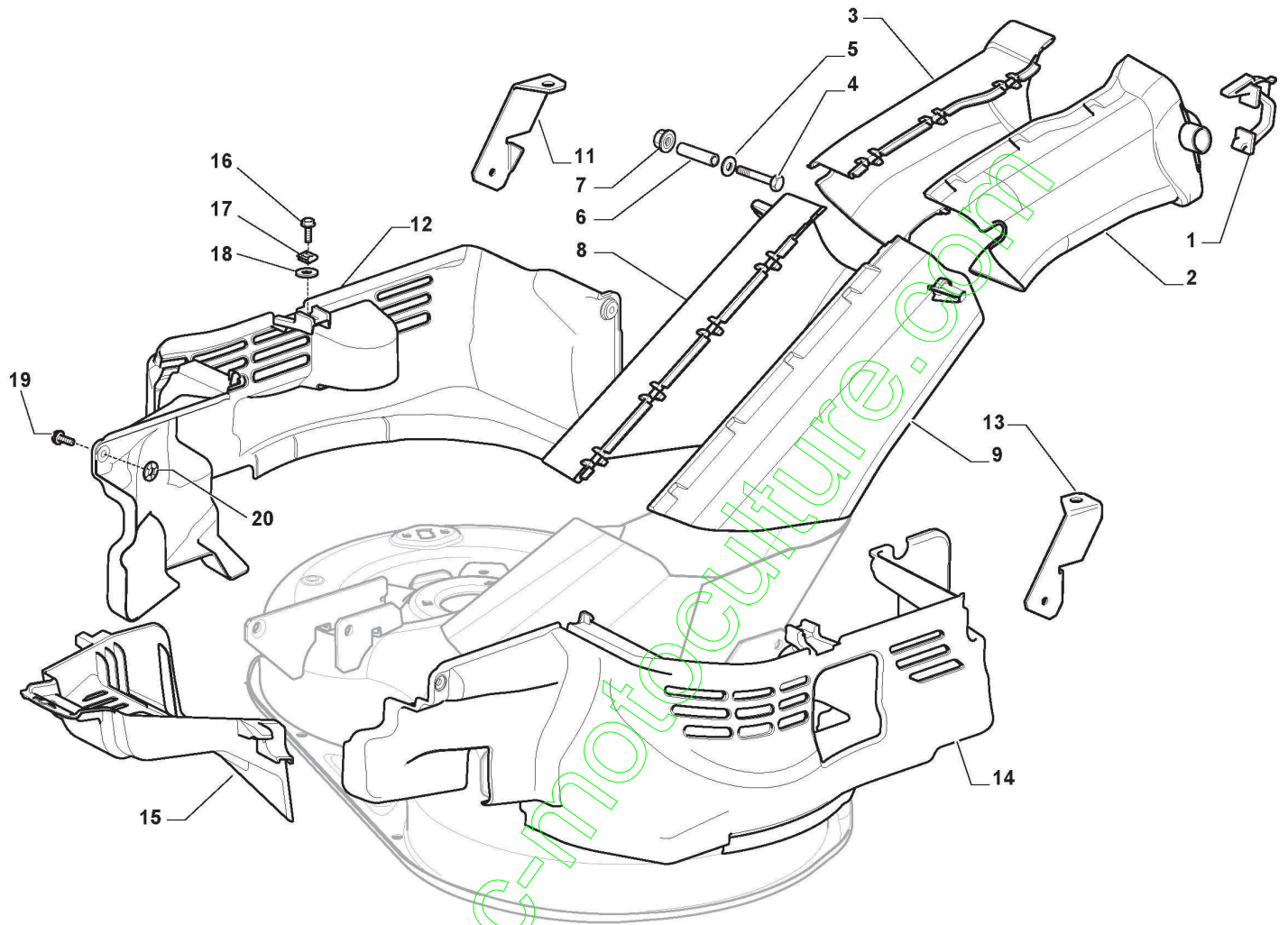




# Plateau De Coupe avec Embrayage Electromagnétique

Réf. N°	Q.té :	Code article	Description	Articles	De	Jusqu'à
51	2	382000565/0	Tige Balancier			
52	8	325670008/1	Rondelle			
53	4	112156602/0	Ecrou			
61	1	112735694/0	Vis	Pos. 61L		
61	1	112735695/1	Vis	Pos. 61R		
62	2	112523080/0	Rondelle			
63	2	122160400/0	Disque Elastique			
64	1	182004358/0	Lame Droit, Aillettee	Pos. 64R		
64	1	182004359/0	Lame Gauche, Aillettee	Pos. 64L		
65	2	125463200/0	Moyeu Lame			
66	2	112139100/0	Langnette			
71	1	182004360/0	Lame Droit Mulching	Pos. 71R		
71	1	182004361/0	Lame Gauche Mulching	Pos. 71L		
75	3	112791213/1	Vis			
76	1	325140108/0	Deflecteur			
77	4	112154510/0	Ecrou			
78	1	325785418/0	Support			
79	4	112523040/0	Rondelle			
80	1	112790781/0	Vis			

www.emc-motoculture.com

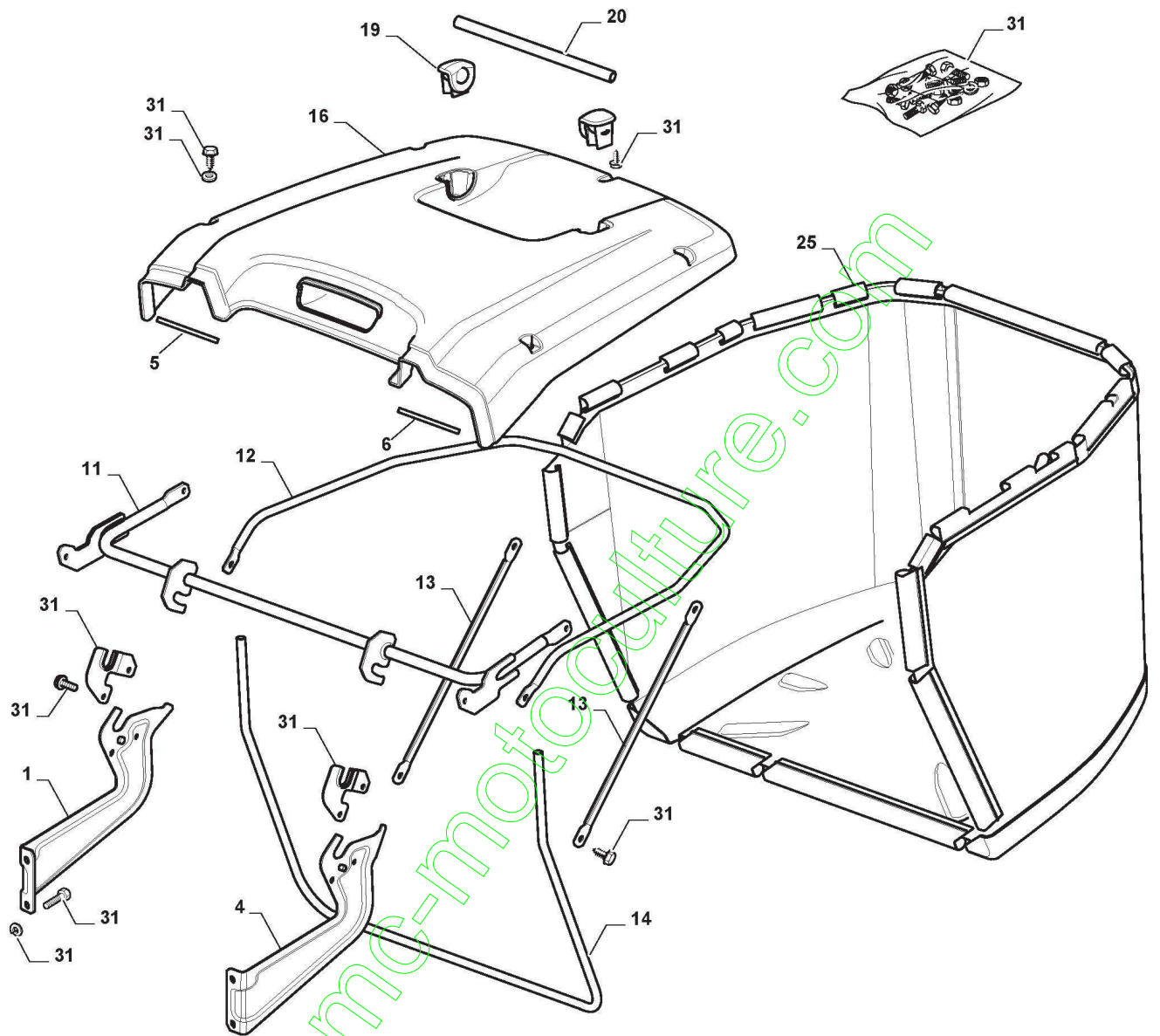


www.emc-motoculture.com

# Protections

Réf. N°	Q.té :	Code article	Description	Articles	De	Jusqu'à
1	2	325774499/0	Etrier			
2	1	325108057/0	Convoyeur			
3	1	325108056/0	Convoyeur			
4	2	112792425/0	Vis			
5	2	112521330/0	Rondelle			
6	2	125160071/0	Entretoise			
7	2	112292102/0	Ecrou			
8	1	325108064/0	Convoyeur			
9	1	325108065/0	Convoyeur			
11	1	325774527/0	Etrier			
12	1	325060164/0	Carter			
13	1	325774529/0	Etrier			
14	1	325060165/0	Carter			
15	1	325060166/0	Protection			
16	2	112789008/0	Vis			
17	2	112437503/0	Plaque			
18	2	112521320/0	Rondelle			
18	2	112523020/0	Rondelle		From	To 31-August- 2014
19	4	125943011/0	Vis			
20	4	112604899/0	Fixateur A Couronne			

www.emc-motoculture.com

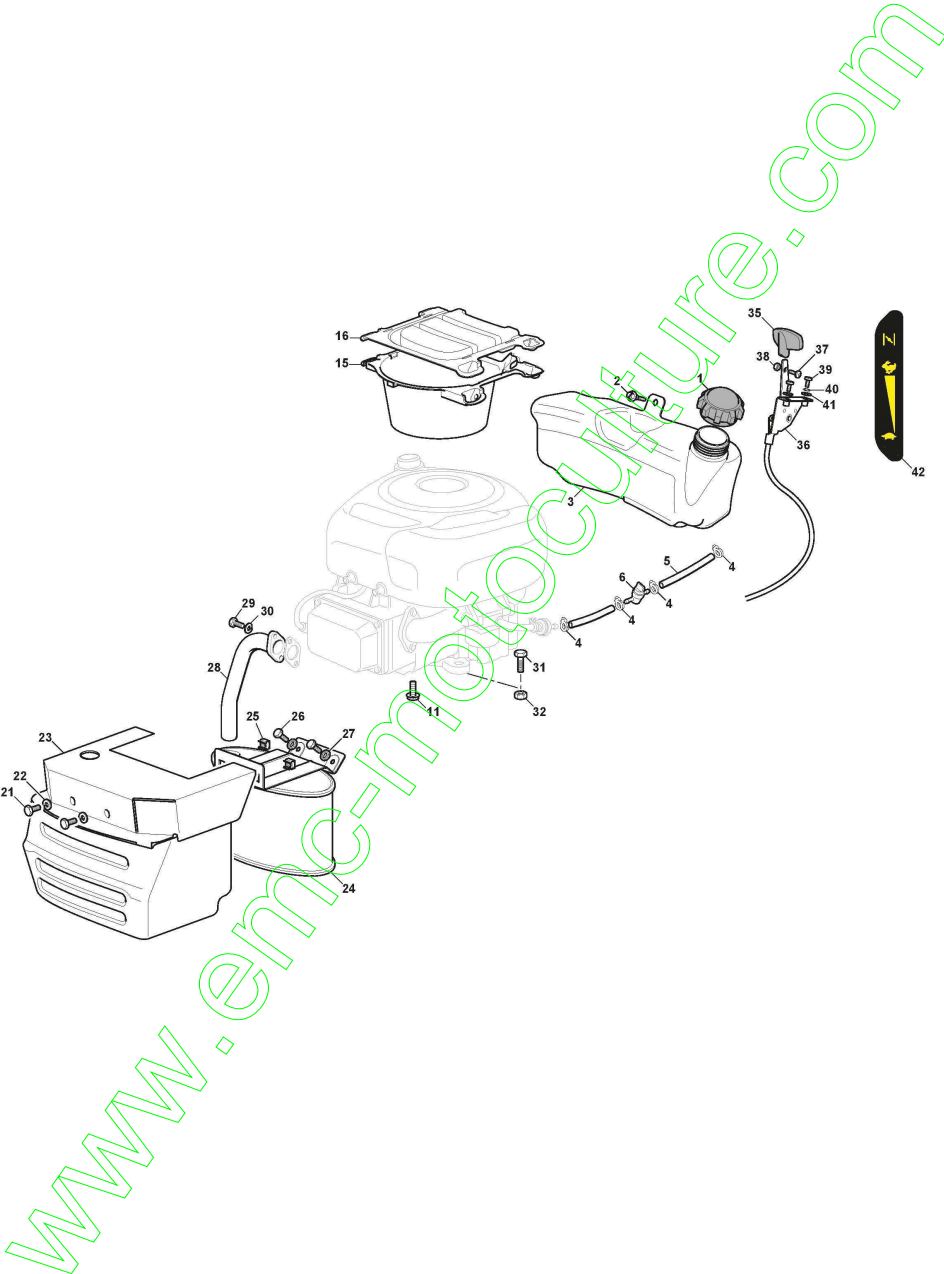


www.emc-motoculture.com

Bac

Réf. N°	Q.té :	Code article	Description	Articles	De	Jusqu'à
1	1	325785377/0	Support			
4	1	325785383/0	Support			
5	2	125270802/0	Garniture			
6	2	125270803/0	Garniture			
11	1	382800147/0	Chassis Superieur			
12	1	382800145/0	Chassis Superieur			
13	2	325650161/0	Renforcement			
14	1	382800143/0	Chassis Avant			
16	1	325110437/0	Couvre-Bac Noir			
19	2	325785417/0	Support			
20	1	325394538/0	Poignee			
25	1	182105942/0	Bac	Black without Logo		
31	1	382180122/0	Dotation Visserie			

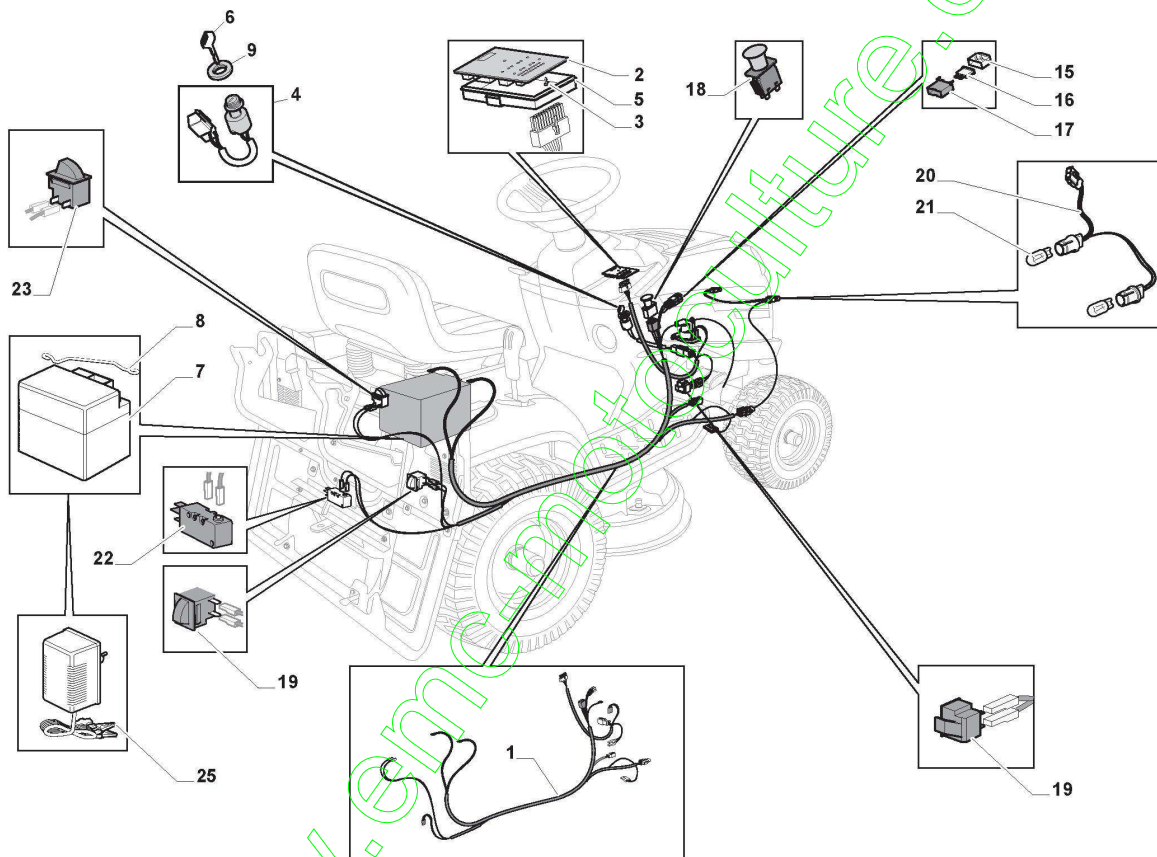
www.emc-motoculture.com



# Moteur - B&S

Réf. N°	Q.té :	Code article	Description	Articles	De	Jusqu'à
1	1	125795001/1	Bouchon			
2	4	125943010/0	Vis			
3	1	325735126/0	Réservoir à carburant			To S/N DD305061
3	1	325735126/1	Reservoir		From S/N DD305061	
4	4	118375051/1	Fixation De Cable			
5	1	325869057/0	Tube De Connexion			
6	1	118562996/0	Rubinet			To S/N 21GA3RON 003918
6	1	118566119/0	Rubinet		From S/N 21GA3RON	
11	3	112735108/1	Vis			
15	1	325108044/1	Convoyeur	if foreseen in assortment		
16	1	325263302/1	Capot avant noir	if foreseen in assortment		To S/N 21FA3RON 003869
16	1	325263318/0	Grille D'Aspiration	if foreseen in assortment	From S/N 21FA3RON	
21	2	112792611/0	Vis			
22	2	112540260/0	Rondelle			
23	1	382598047/0	Protection Silencieux			To S/N 19HA3RON 000651
23	1	382598047/1	Protection Silencieux		From S/N 19HA3RON	
23	1	382598047/2	Protection Silencieux		From S/N 22LA3RON 005573	
24	1	182750010/0	Silencieux			
25	2	112360425/0	Ecrou			
26	2	112792611/0	Vis			
27	2	112540260/0	Rondelle			
28	1	118738224/0	Tuyau de raccord d'échappement			
29	2	112737450/0	Vis			
30	2	112540260/0	Rondelle			
31	1	112691115/0	Vis			
32	3	112154210/0	Ecrou			
35	1	325394531/0	Poignée			
36	1	182000216/0	Accelérateur			
37	1	112726388/0	Vis	White Galvanized		
37	1	112726389/0	Vis	Black Galvanized		
38	1	112290800/0	Ecrou			
39	2	112726388/0	Vis	White Galvanized		
39	2	112726389/0	Vis	Black Galvanized		
40	2	112540020/0	Rondelle			
41	2	112521310/0	Rondelle			
42	1	114363697/0	Étiquette d'accélérateur			

www.emc-motoculture.com





## Parties Electriques

Réf. N°	Q.té :	Code article	Description	Articles	De	Jusqu'à
1	1	182040183/0	Ens. Cablages	For Mechanical/Gear Models		
2	1	125722437/0	Carte Electronique			
3	1	112735101/0	Vis			
4	1	118450075/0	Interrupteur Demarrage			
5	1	325600090/0	Protection De Carte			
6	1	118210023/0	Clef A Demarrage			
7	1	118120002/1	Batterie 12V 18AH			
8	1	125430265/1	Ressort			
9	1	118400863/0	Bague Vissée			
15	2	133215000/0	Couvercle			
16	1	133340036/0	Fusible 25 A			
16	1	133340040/0	Fusible 10 A			
17	2	133500007/0	Tableau De Fusible			
18	1	118450074/0	Interrupteur Embrajage	Red		
19	2	119410613/0	Microinterrupteur			
19	1	119410633/0	Micro-interrupteur de siège			
20	1	182040186/0	Cables	For Lamp models		
21	2	118459100/0	Ampoule De Phares			
22	1	119410605/1	Microinterrupteur			
25	1	182180090/0	Chargeur De Batteries 12V 1A - CE Plugg	CE plug		
25	1	182180091/0	Chargeur De Batteries 12V 1A - UK Plugg	BS plug		

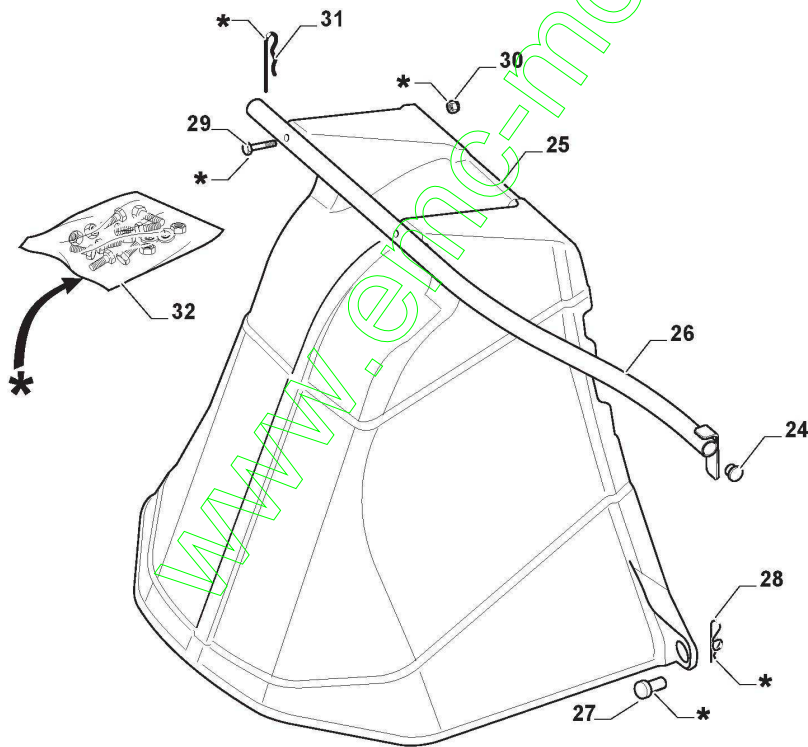
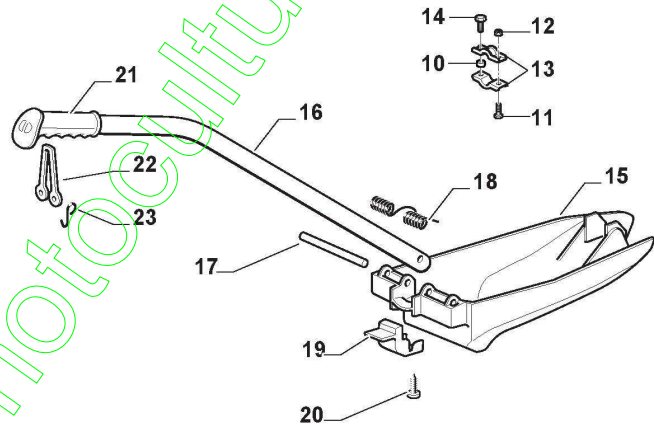
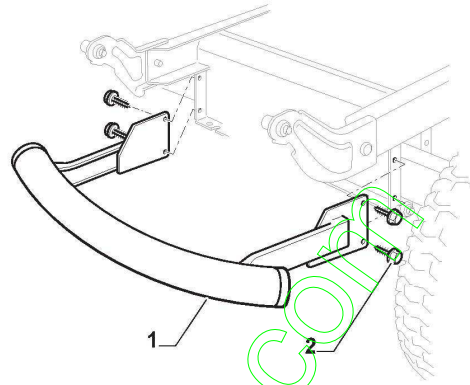
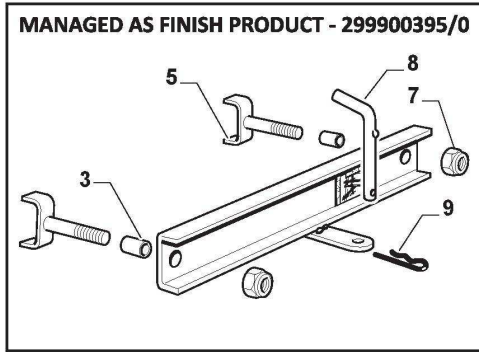
www.emc-motoculture.com



# Etiquettes

Réf. N°	Q.té :	Code article	Description	Articles	De	Jusqu'à
1	1	114361553/1	Étiquette de prescription 6 pictogrammes	No more used from 01.11.2022		
2	1	114366141/0	Etiquette			
3	1	114363699/0	Etiquette phare			
4	1	114361438/0	Etiquette D'Engagement D'Embrayage			
5	1	114363701/0	Étiquette de levage de plaque			
5	1	114366142/0	Étiquette de levage de plaque		From	To 31-August- 2014
6	1	114363700/0	Etiquette			
7	1	114364961/3	Etiquette			
8	1	114356699/1	Etiquette De Plaque De Danger			
9	1	114363697/0	Étiquette d'accélérateur			
10	1	114364617/0	Étiquette d'accélérateur			

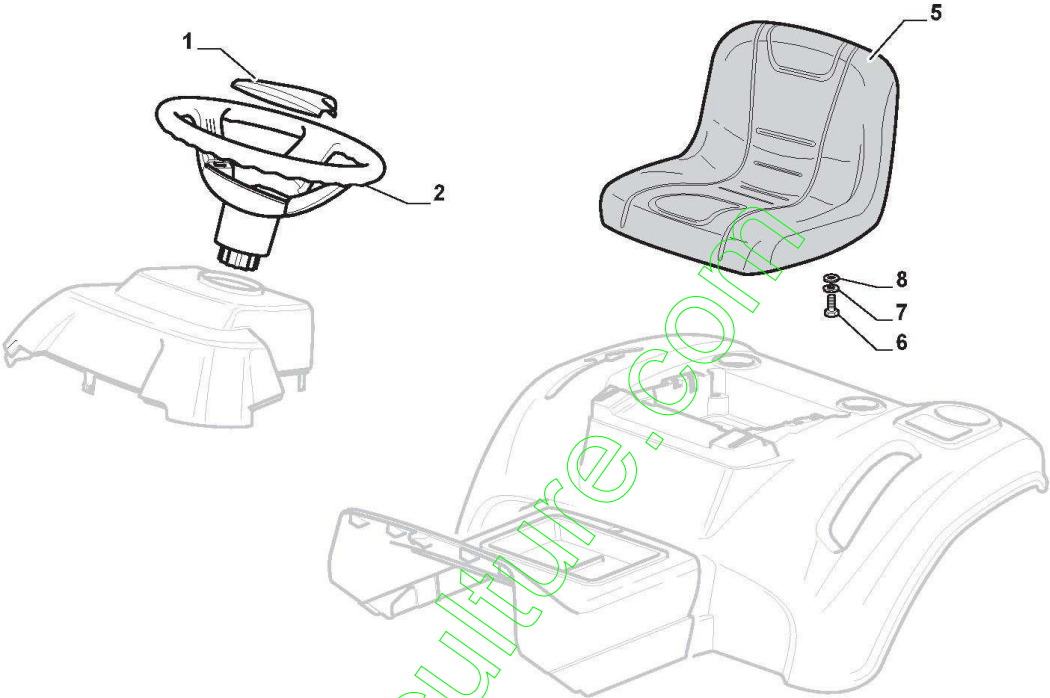
www.emc-motoculture.com



# Accessoires Sur Demande

Réf. N°	Q.té :	Code article	Description	Articles	De	Jusqu'à
1	1	382869038/0	Protection Silencieux			
2	4	112735599/0	Vis			
3	2	125160074/0	Entretoise			
3	2	125160108/0	Entretoise		From S/N	To S/N
5	2	382650211/0	Renforcement			19JA3RON 001409
7	2	112155000/0	Ecrou			
8	1	125510021/1	Pivot			
9	1	124487999/0	Goupille			
10	1	122170600/0	Entretoise			
11	1	112792099/0	Vis			
12	3	112292102/0	Ecrou			
13	2	327546015/2	Plaquette			
14	1	112791400/0	Vis			
15	1	325140104/1	Deflecteur			
16	1	325394021/0	Guidon			
17	1	125510077/0	Pivot			
18	1	125430245/0	Ressort			
19	1	325547320/0	Plaque			
20	1	112735402/0	Vis			
21	1	325280000/1	Branche			
22	1	125840011/1	Tirant			
23	2	125253004/0	Crochet Fixage Kit Mulching			
24	2	118566112/0	Bouchon Tube Guidon			
25	1	325600093/0	Protection Sortie			To
25	1	325600093/1	Protection Sortie		From	
26	1	382869044/0	Support		01-Septem	
27	2	125510022/1	Pivot		ber-2017	
28	2	124487998/0	Goupille			
29	2	112689515/0	Vis			
30	2	112154510/0	Ecrou			
31	1	124487999/0	Goupille			
32	1	382180028/0	Dotation Visserie			

www.emc-motoculture.com



# Siege & Volant

Réf. N°	Q.té :	Code article	Description	Articles	De	Jusqu'à
1	1	325580503/0	Plaque Volant			
2	1	325961219/0	Volant			
5	1	125722472/0	Siege			
6	4	112792611/0	Vis			
7	4	112540260/0	Rondelle			
8	4	112523060/0	Rondelle			

www.emc-motoculture.com