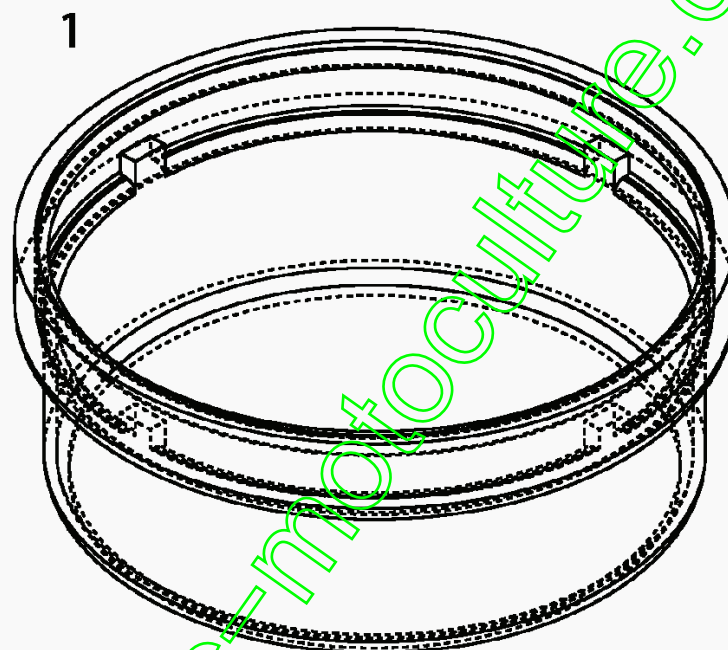


JN 150 A/13AA488N678 (2004)/Enjoliveurs



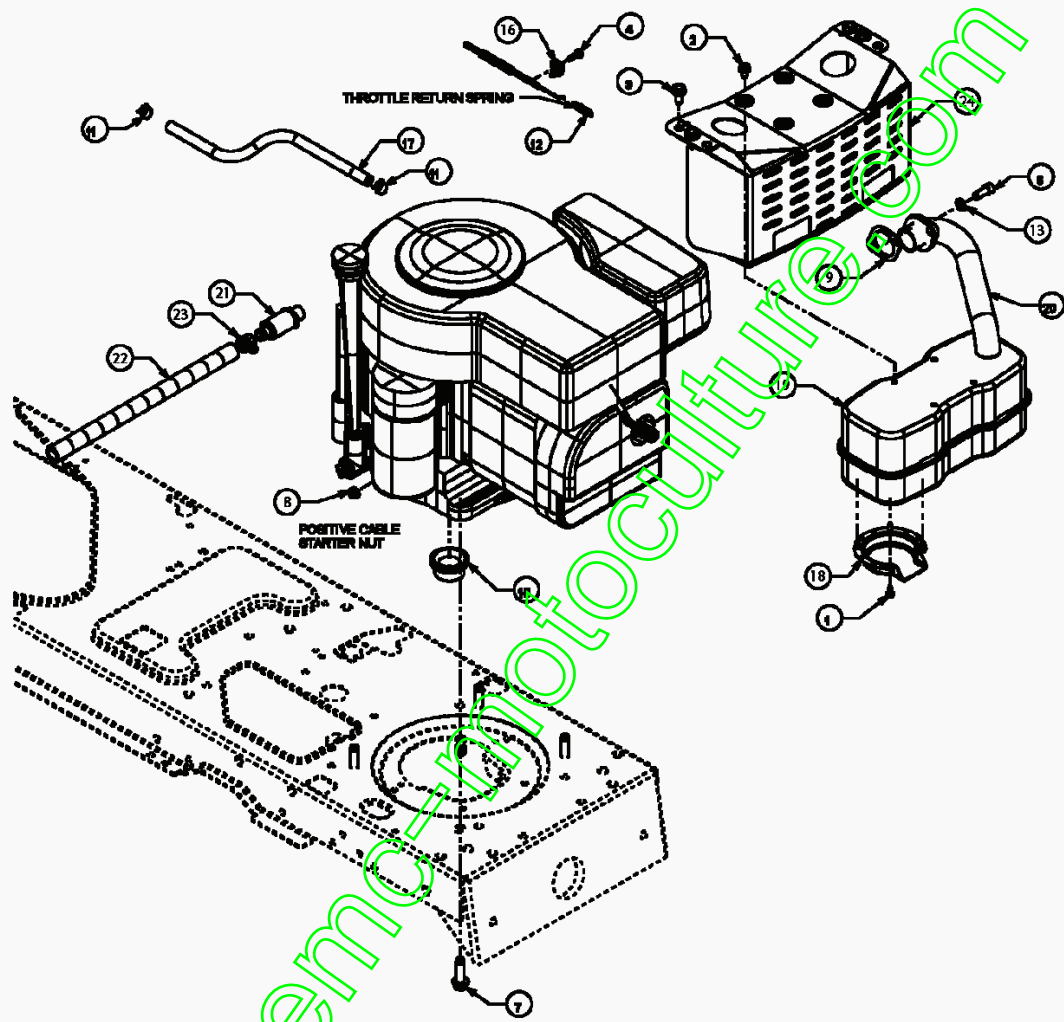
E3-02002A-01

Enjoliveurs

Position	Partnumber	Quantity	Designation	Standard	Additional
1	731-0484A	2	ENJOLIVEUR	FINISH: SCHWARZ 931-0484A	

www.emc-motoculture.com

JN 150 A/13AA488N678 (2004)/Accessoires moteur

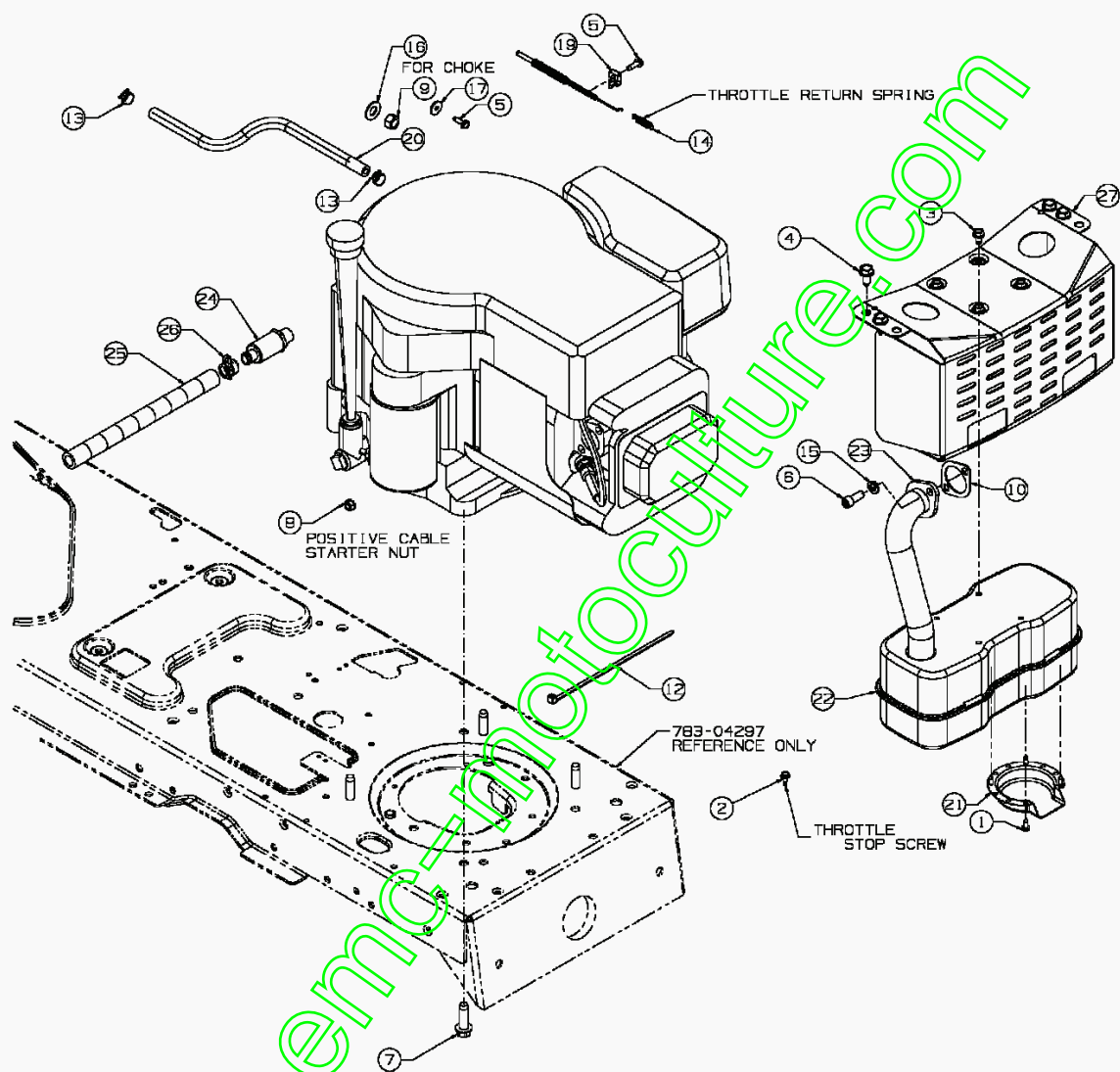


E3-02013A-01

Accessoires moteur

Position	Partnumber	Quantity	Designation	Standard	Additional
1	710-0148	4	VIS	FINISH:701-01002 910-0148	
2	710-0599	4	VIS	FINISH:MTD SPEC-701-01002	
3	710-0726	4	VIS 5/16-12:0.750:HXINDWS	FINISH:701-01002	
4	710-1237	1	VIS	FINISH:MTD STD 701-01002	
6	710-1314A	2	VIS	GR.8 FINISH:PHOS & OIL	
7	710-1315	4	VIS	FINISH:MTD SPEC-701-01002	
8	712-0271	1	ECROU 1/4-20"+ DISQUE DENTÉ	FINISH:701-010015	
8	721-0208	1	JOINT ECHAP B/S MONO CILYNDRE	272293	
11	726-0205	2	CLIPS	FINISH:PHOS UND GELB LACKIERT	
12	732-0966	1	RESSORT DE CABLE	732-0966	
13	736-0119	2	RONDELLE 5/16	FINISH:701-01001	
15	750-0956	1	ENTRETOISE 1,010x1.400x.825	750-0956	
16	751B213146	1	SERRE CABLE	FINISH:VERZINKT	
17	751-0535	1	TUYAU ESSENCE	Ø12,7+/-5.84 / Ø6,35+/-0,41	
18	751-0564	1	PROTECTION ECHAPPEMENT	751-0564	
19	751-0617A	1	POT D'ECHAPPEMENT		
20	751-0618	1	TUYAU D ECHAPPEMENT	751-0618	
21	751-3140	1	EMBOUT DE VIDANGE	FINISH:SIEHE ZG. 951-3140	
22	751-3141	1	CHAMBRE AIR 260X		
23	751-3142	1	BOUCHON VIDANGE	FINISH:GELB 951-3142	
24	783-0615B	1	PROTECTION D ECHAPPEMENT	SCHWARZ GEPULVERT	

www.emc-motoculture.com

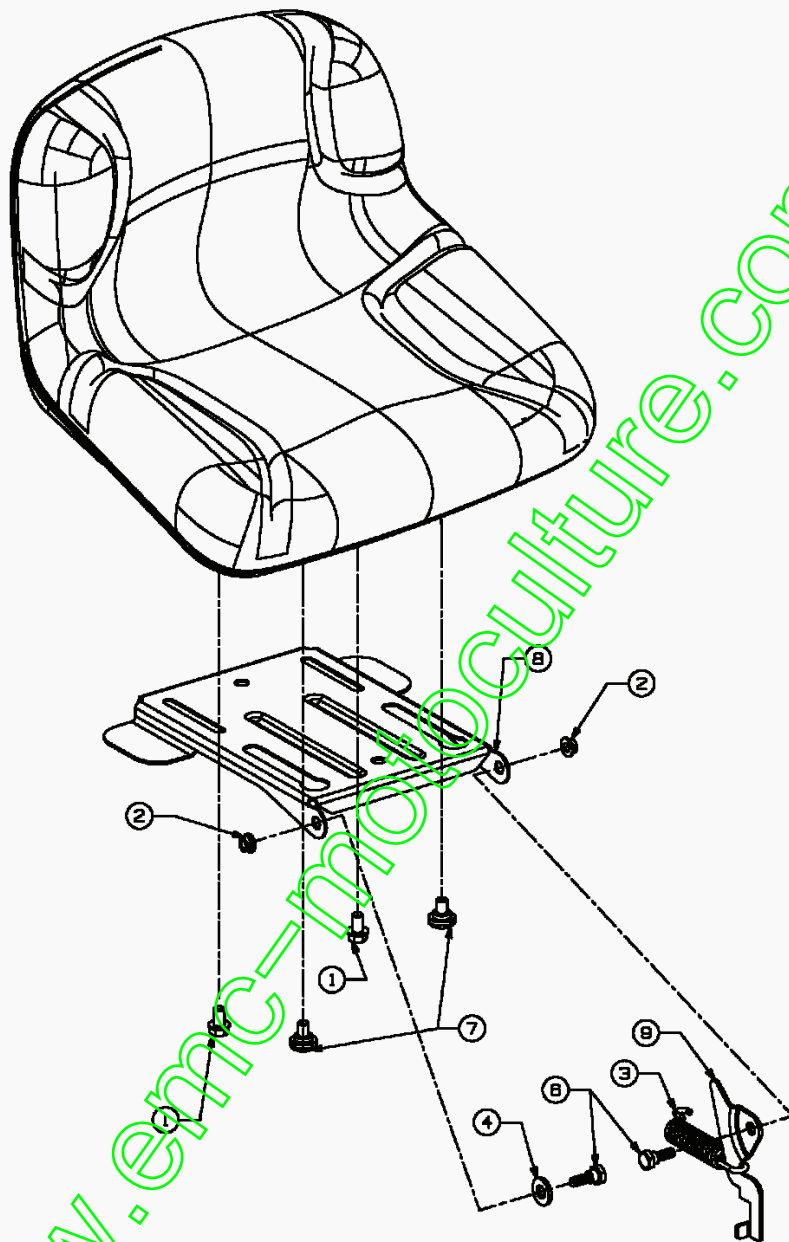


E3-02004A-01

Accessoires moteur

Position	Partnumber	Quantity	Designation	Standard	Additional
1	710-0227	4	VIS:#8-18:0.500:HXIN	FINISH:MTD STD 701-01002	
2	710-0456	1	VIS	FINISH:701-01002	
3	710-0599	4	VIS	FINISH:MTD SPEC-701-01002	
4	710-0726	4	VIS 5/16-12:0.750:HXINDWS	FINISH:701-01002	
5	710-1237	2	VIS	FINISH:MTD STD 701-01002	
6	710-1314A	2	VIS	GR.8 FINISH:PHOS & OIL	
7	710-1315	4	VIS	FINISH:MTD SPEC-701-01002	
8	712-0271	1	ECROU 1/4-20"+ DISQUE DENTÉ	FINISH:701-010015	
9	712-3017	1	ECROU	FINISH:701-01000	
10	721-0208	1	JOINT ECHAP B/S MONO CILYNDRE	272293	
12	725-0157	1	COLLIER CABLE 3/16X.05x7.4	PB-Nr. 5652 schwarz	
13	726-0205	2	CLIPS	FINISH:PHOS UND GELB LACKIERT	
14	732-0966	1	RESSORT DE CABLE	732-0966	
15	736-0119	2	RONDELLE 5/16	FINISH:701-01001	
16	736-0300	1	RONDELLE .406X.875 X .059	FINISH:MTD SPEC-100015	
17	736-0400	1	RONDELLE	FINISH:701-01000	
19	751B213146	1	SERRE CABLE	FINISH:VERZINKT	
20	751-0535	1	TUYAU ESSENCE	Ø12,7+/-5.84 / Ø6,35+/-0,41	
21	751-0564A	1	DEFLECTEUR:POT D'ECHAP.		
22	751-0617A	1	POT D'ECHAPPEMENT		
23	751-0619A	1	PIPE D ECHAPPEMENT	FINISH:PLAINE/BARE	
24	751-3140	1	EMBOUT DE VIDANGE	FINISH:SIEHE ZG. 951-3140	
25	751-3141	1	CHAMBRE AIR 260X		
26	751-3142	1	BOUCHON VIDANGE	FINISH:GELB 951-3142	
27	783-0615B	1	PROTECTION D ECHAPPEMENT	SCHWARZ GEPULVERT	

www.emc-motoculture.com



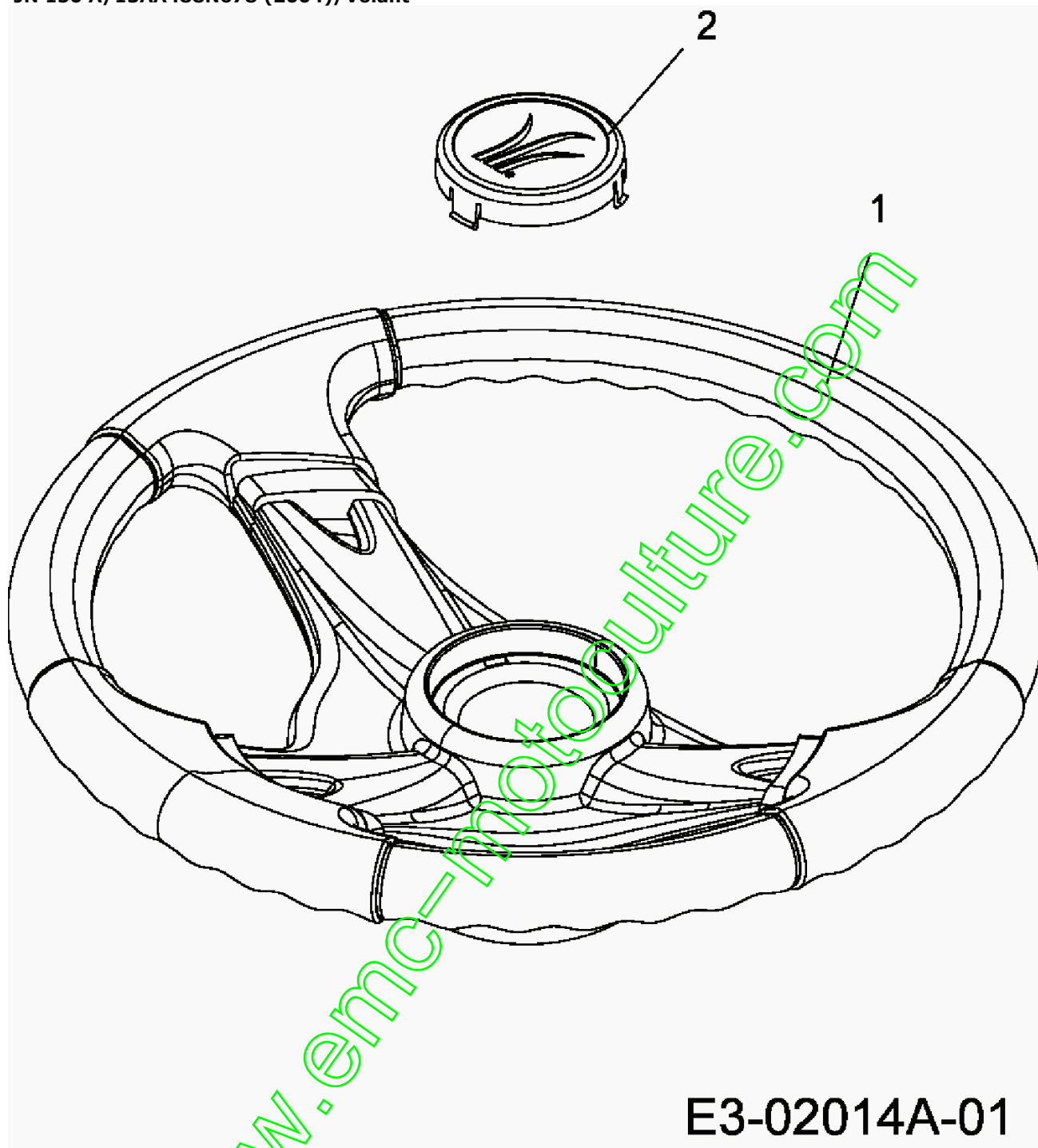
E3-02012A-01

Plaque de siège

Position	Partnumber	Quantity	Designation	Standard	Additional
1	710-0870	2	VIS	710-0870 / 910-0870	
2	712-0429	2	ECROU:5/16-18:GR5:NYLON	FINISH:701-01000	
3	732-1184	1	RESSORT	500er:FINISH:MTD STD 701-01000	
4	736-0696	1	RONDELLE	AD25 x ID12 X 3 (24.6484.25)	
6	738-0296	2	VIS	FINISH:701-01000	
7	738-04012	2	VIS DE SIEGE	3/8-16	
8	783-04081A	1	SUPPORT DE SIEGE	(MANUELLE VERSTELLUNG)	
9	783-1366	1	PATTE CONTACTEUR	VERZINKT	

www.emc-motoculture.com

JN 150 A/13AA488N678 (2004)/Volant



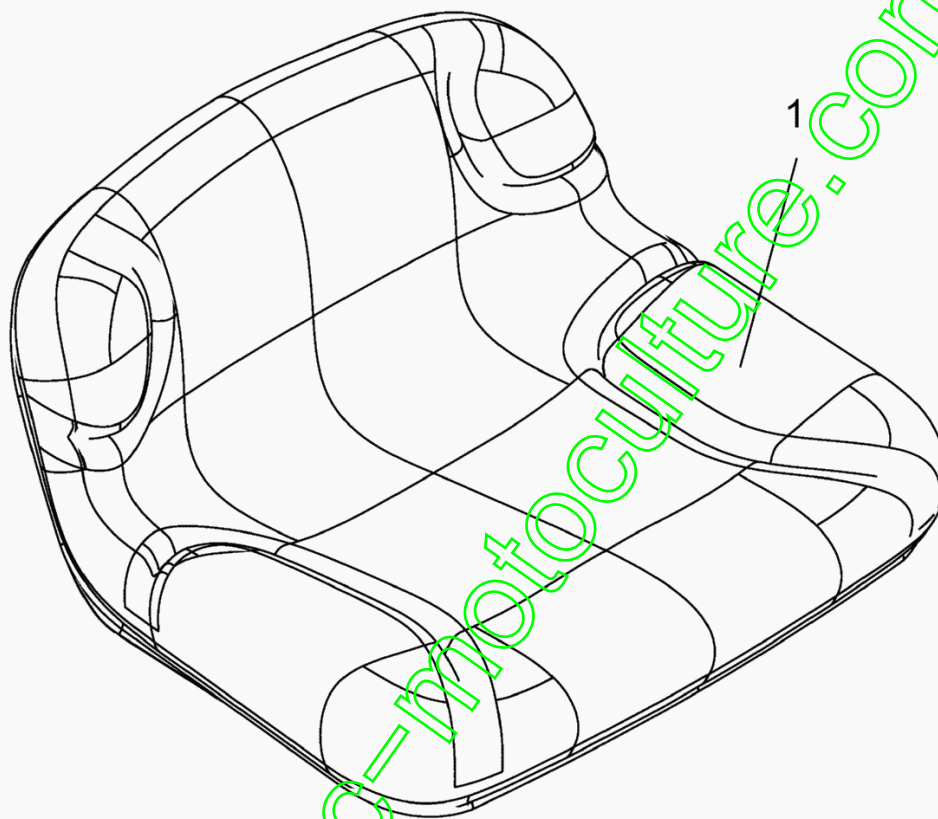
E3-02014A-01

Volant

Position	Partnumber	Quantity	Designation	Standard	Additional
1	631-04028	1	VOLANT		
2	731-04040	1	COUVERCLE DE VOLANT	MIT LOGO	

www.emc-motoculture.com

JN 150 A/13AA488N678 (2004)/Siège



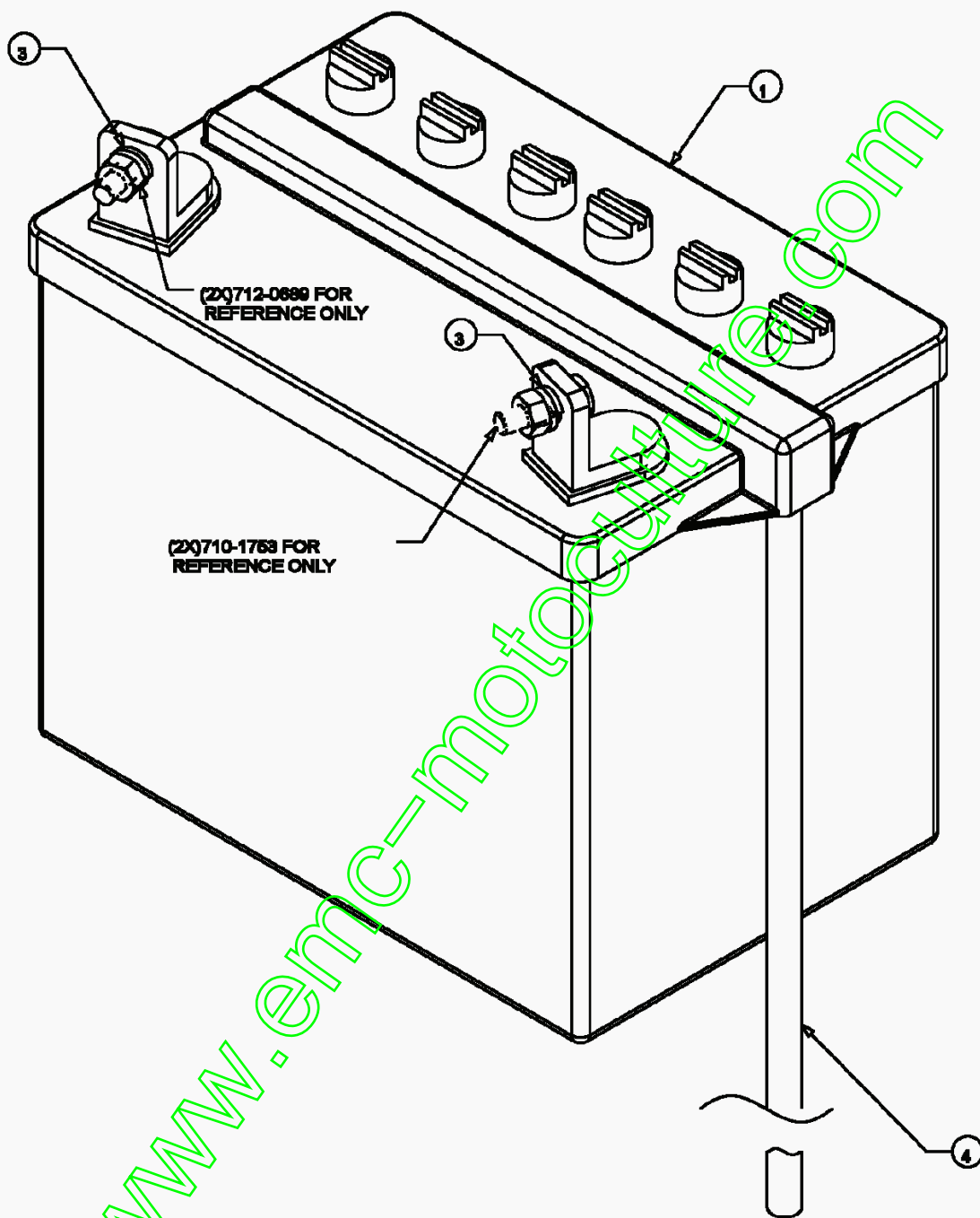
E3-02087A-01

Siège

Position	Partnumber	Quantity	Designation	Standard	Additional
1	757-04002A	1	SIEGE		

www.emc-motoculture.com

JN 150 A/13AA488N678 (2004)/Batterie

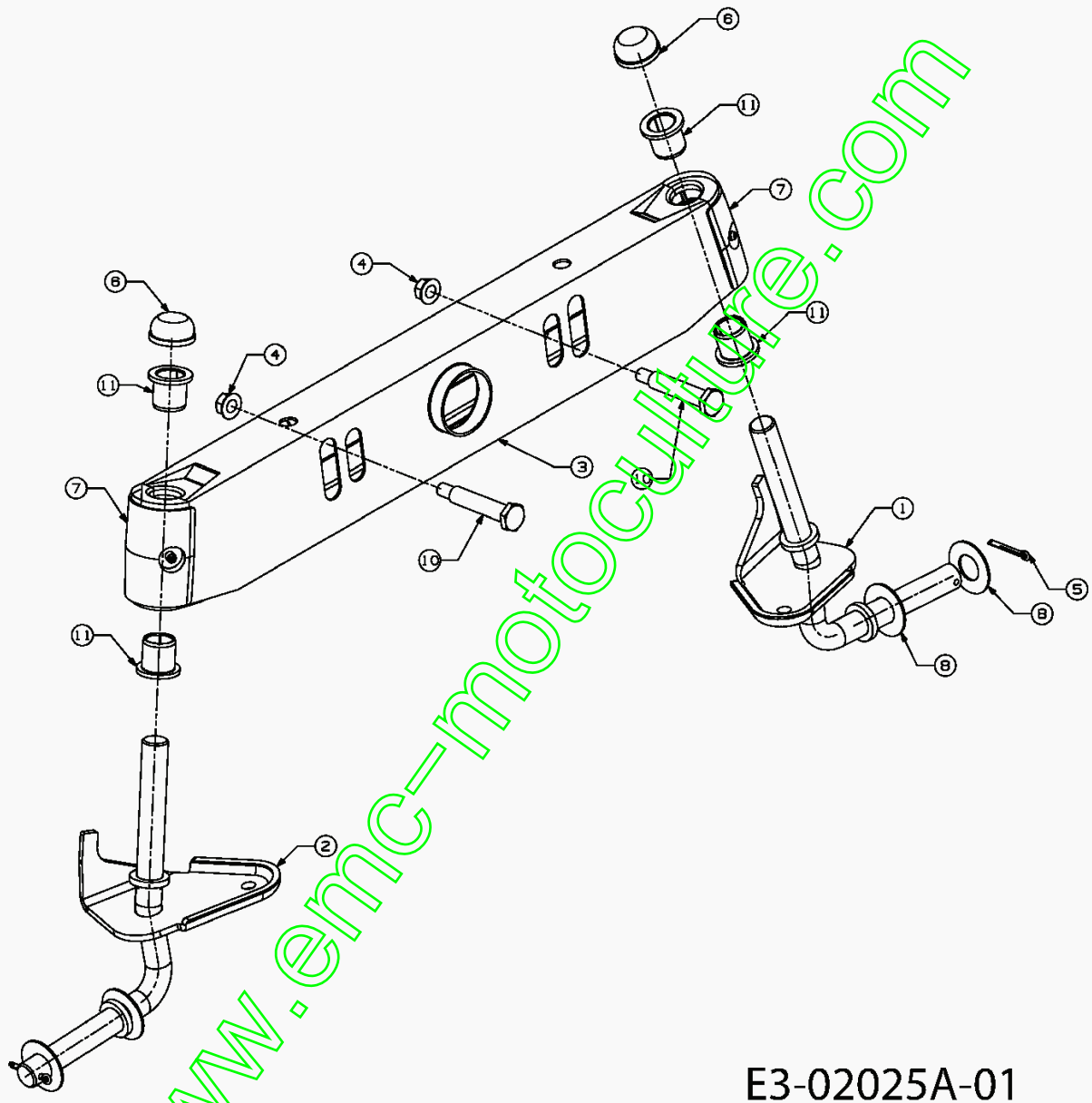


Batterie

Position	Partnumber	Quantity	Designation	Standard	Additional
1	725-2057	1	BATTERIE	U1-9 (725-1707D)	
3	736-0648	2	RONDELLE	FINISH:SPEC-100016 24.8195.14	
4	750-04016	1	TUYAU TROP PLEIN ACIDE	6-0.5x1x700 PVC glasklar	

www.emc-motoculture.com

JN 150 A/13AA488N678 (2004)/Essieu avant



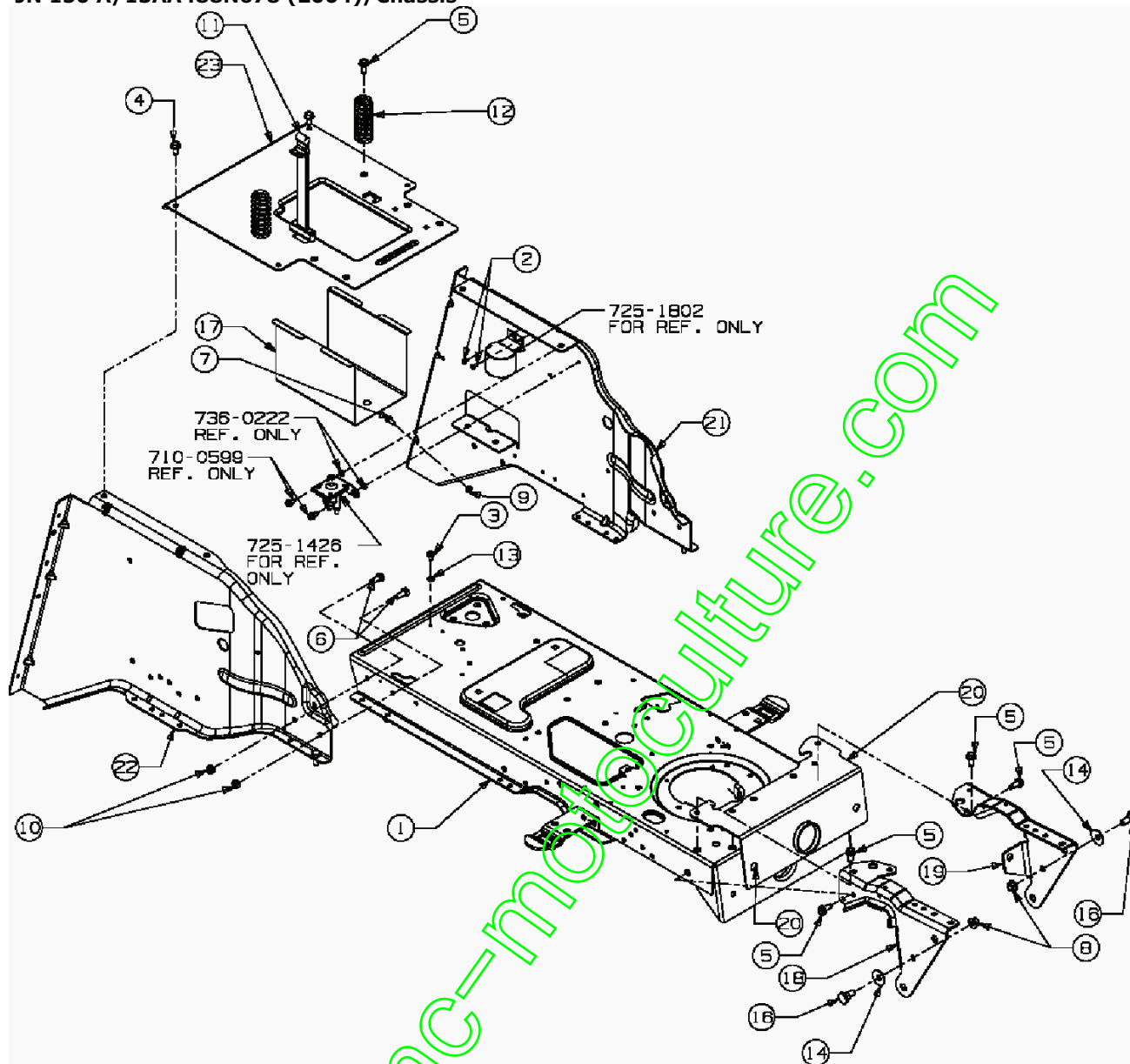
E3-02025A-01

Essieu avant

Position	Partnumber	Quantity	Designation	Standard	Additional
1	611-04038	1	FUSEE GAUCHE	SCHWEIBTEIL	
2	611-04039	1	FUSEE DROITE	SCHWEIBTEIL	
3	683-0128B637	1	ESSIEU AVANT	SCHWARZ GEPULVERT	
4	712-04065	2	ECROU	FINISH:701-01000 912-04065	
5	714-0162	2	EPINGLE	714-0162	
6	726-0341	2	CLIPS CAPUCHON	FINISH: SCHWARZ	
7	731-1291A	2	COUVERCLE DE PROTECTION	MATERIAL:PP SCHWARZ:LT5	
8	736-0316	4	RONDELLE 1.78X1.59"	FINISH:MTD STD 701-01000	
10	738-1011A	2	AXE	FINISH:MTD STD 701-01000	
11	741-0660A	4	BAGUE:.760 x .941 x 1.0	FINISH: SCHWARZ	

www.emc-motoculture.com

JN 150 A/13AA488N678 (2004)/Chassis

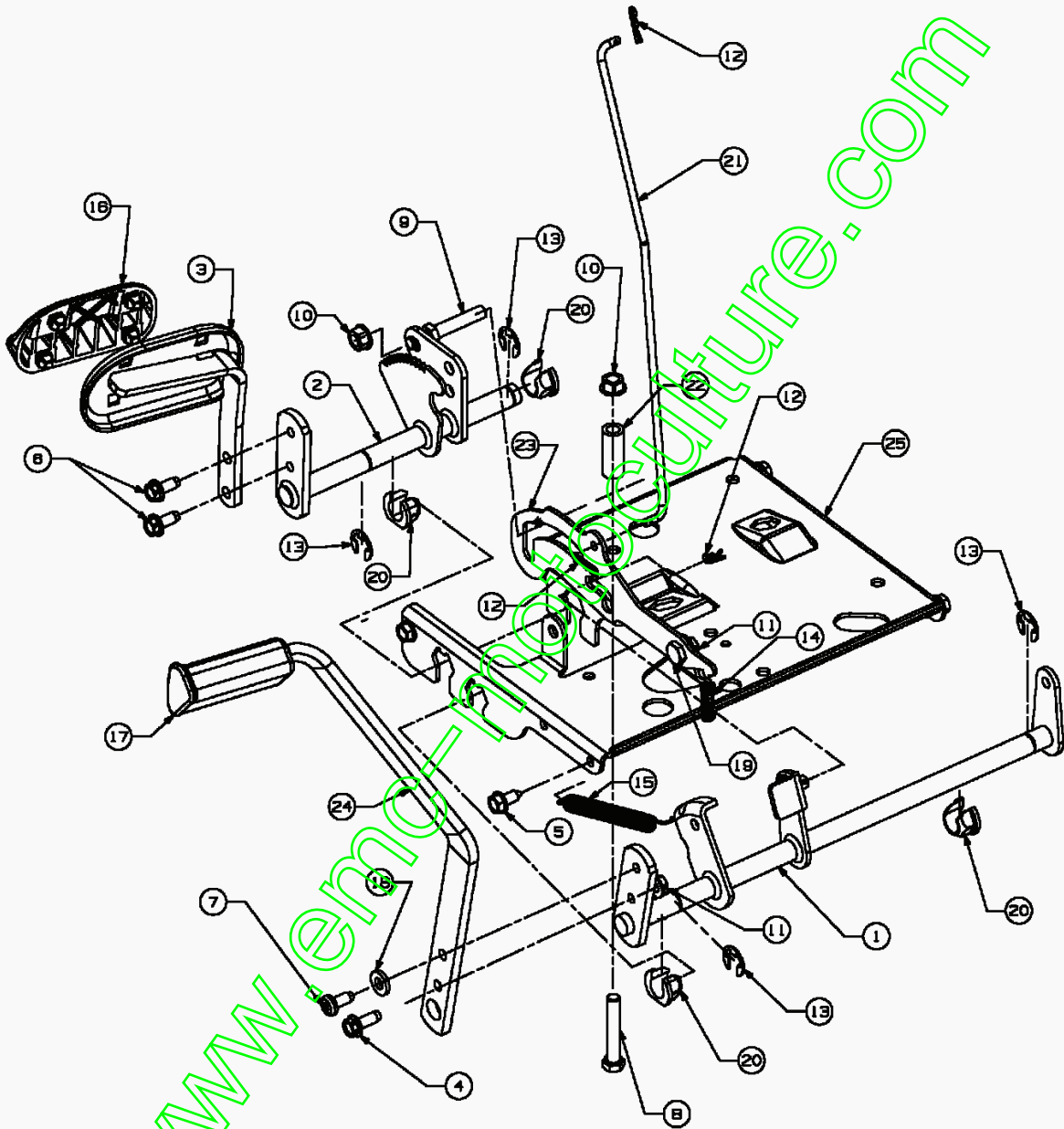


E3-02026A-01

Chassis

Position	Partnumber	Quantity	Designation	Standard	Additional
1	683-04115	1	CHASSIS VERT Y-M		
2	710-0148	2	VIS	FINISH:701-01002 910-0148	
3	710-0599	1	VIS	FINISH:MTD SPEC-701-01002	
4	710-0726	2	VIS 5/16-12:0.750:HXINDWS	FINISH:701-01002	
5	710-1260A	8	VIS TT:5/16-18:.750 HXINDWSH	LAGERGEH.MESSERWELLE:701-01002	
6	710-1681	6	VIS HEXAGONALE DIN 933	MTD SPEC-100015 21.1441.70	
7	710-1691	1	VIS	FINISH:Zn5glcB 21.1441.45	
8	712-0431	2	ECROU STOP 3/8-16	FINISH:MTD SPEC-100015	
9	712-0691	1	ECROU	MTD SPEC-100015 24.1426.14	
10	712-0692	6	ECROU	FINISH:SPEC-100015 24.1426.18	
11	723-0444	1	SANGLE BATTERIE	FINISH:SCHWARZ	
12	732-04035	2	RESSORT	FINISH:701-01000	
13	736-0222	1	RONDELLE	FINISH:701-01001	
14	736-0331	2	RONDELLE	FINISH:MTD SPEC-100016	
16	738-0143	2	VIS	FINISH:MTD STD 701-01000	
17	783-0349	1	BOÎTE A BATTERIE	FINISH:LACKIERT SCHWARZ	
18	783-0726C	1	SUPPORT D'ESSIEU DROIT	FINISH:LACKIERT	
19	783-0727B	1			
20	783-0728	1	SUPPORT AVANT	783-0728	
21	783-1317B	1	CHASSIS GAUCHE		
22	783-1318A637	1	SUPPORT DE PONT DROITE	SCHWARZ LACKIERT	
22A	783-1318A650	1	RED METALIC LACKIERT	RED METALIC LACKIERT	
22B	783-1318A665	1	ISEKI BLAU LACKIERT	YARDMAN GREEN LACKIERT	
23	783-1410	1	SUPPORT DE SIEGE	F564.021.00	

www.emc-motoculture.com

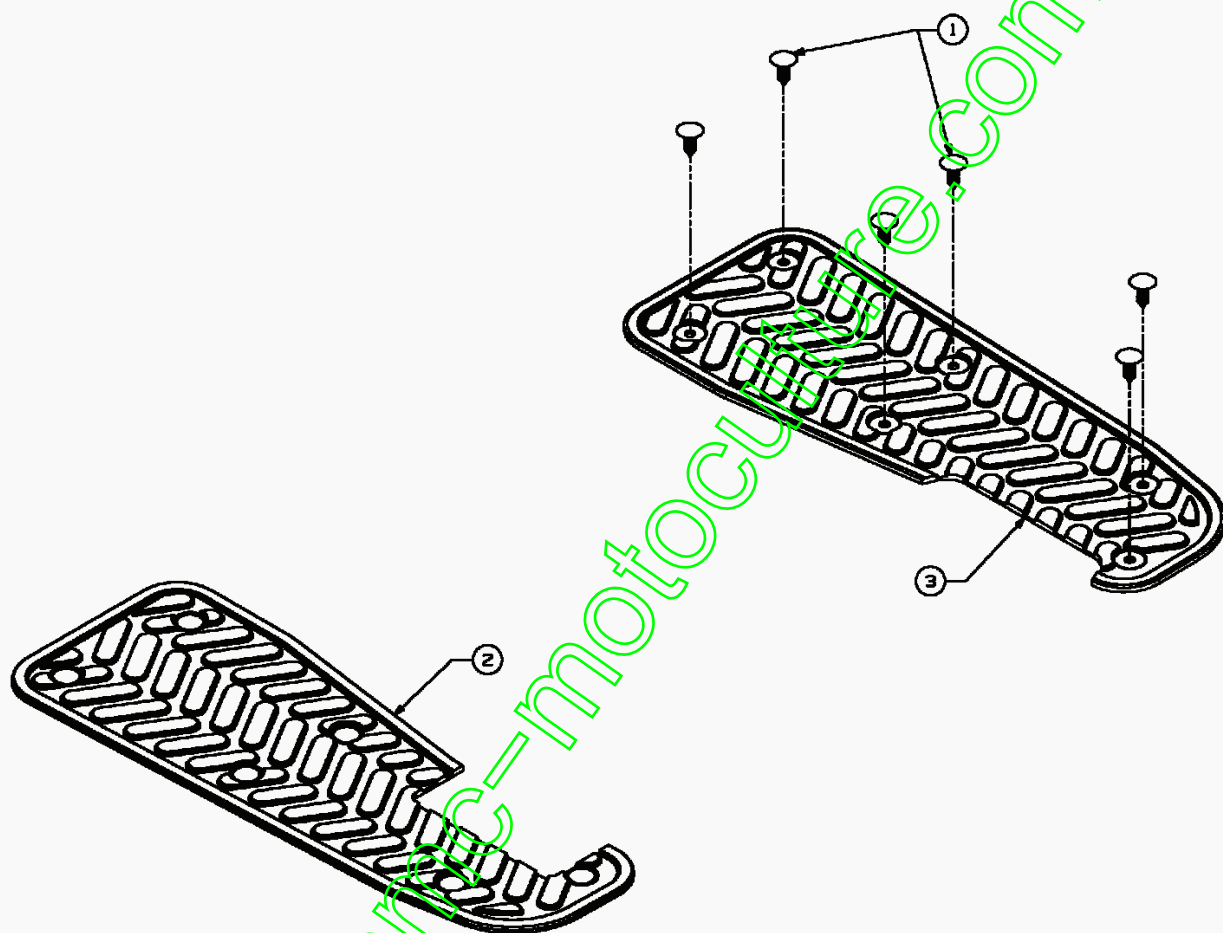


E3-02031A-01

Groupe de montage pedale

Position	Partnumber	Quantity	Designation	Standard	Additional
1	647-0057B637	1	BREMSPEDALWELLE VOLLST: 500	SCHWEIßTEIL SCHWARZ LACKIERT	
2	647-04027A-S	1	LEVIER CPL	PEDAL SCHWEIßTEIL	
3	683-0266	1	PEDALE AUTODRIVE	683-0266	
4	710-0650	1	VIS	FINISH:MTD SPEC-701-01002	
5	710-0726	4	VIS 5/16-12:0.750:HXINDWS	FINISH:701-01002	
6	710-1260A	2	VIS TT:5/16-18:.750 HXINDWSH	LAGERGEH.MESSERWELLE:701-01002	
7	710-1611B	1	VIS	FINISH:MTD SPEC-701-01002	
8	710-3011	1	VIS	FINISH:701-01000	
9	711-04159	1	CHARNIERE	3/8-16:3/8 x 2.68 LG	
10	712-0431	2	ECROU STOP 3/8-16	FINISH:MTD SPEC-100015	
11	712-0429	2	ECROU:5/16-18:GR5:NYLON	FINISH:701-01000	
12	714-0104	3	GOUPILLE	FINISH:PHOS AND OIL	
13	716-0106A	4	CIRCLIPS	FINISH:701-01000	
14	732-0335	1	RESSORT 40 DIA X 1.7 LNG	732-0335	
15	732-0963	1	RESSORT	SPEC 701-01006 OR 701-01000	
16	735-0662	1	CAHOUTCHOUX DE PEDALE	SCHWARZ	
17	735-3049	1	CAHOUTCHOUX DE PEDALE	735-3049	
18	736-3008	1	RONDELLE	FINISH:701-01000	
19	738-0155	1	AXE	MTD STD 701-01000 938-0155	
20	741-3065B	4	BAGUE	GESCHLITZT	
21	747-04093	1	TIGE DE FREIN		
22	748-0415B	1	DOUILLE		
23	783-0732	1	SUPPORT	FINISH:SIEHE ZG:	
24	783-0773A	1	PEDALE DE FREIN	783-0773	
25	783-1335B	1	CONSOLE DE DIRECTION	FINISH:PAINT	

www.emc-motoculture.com



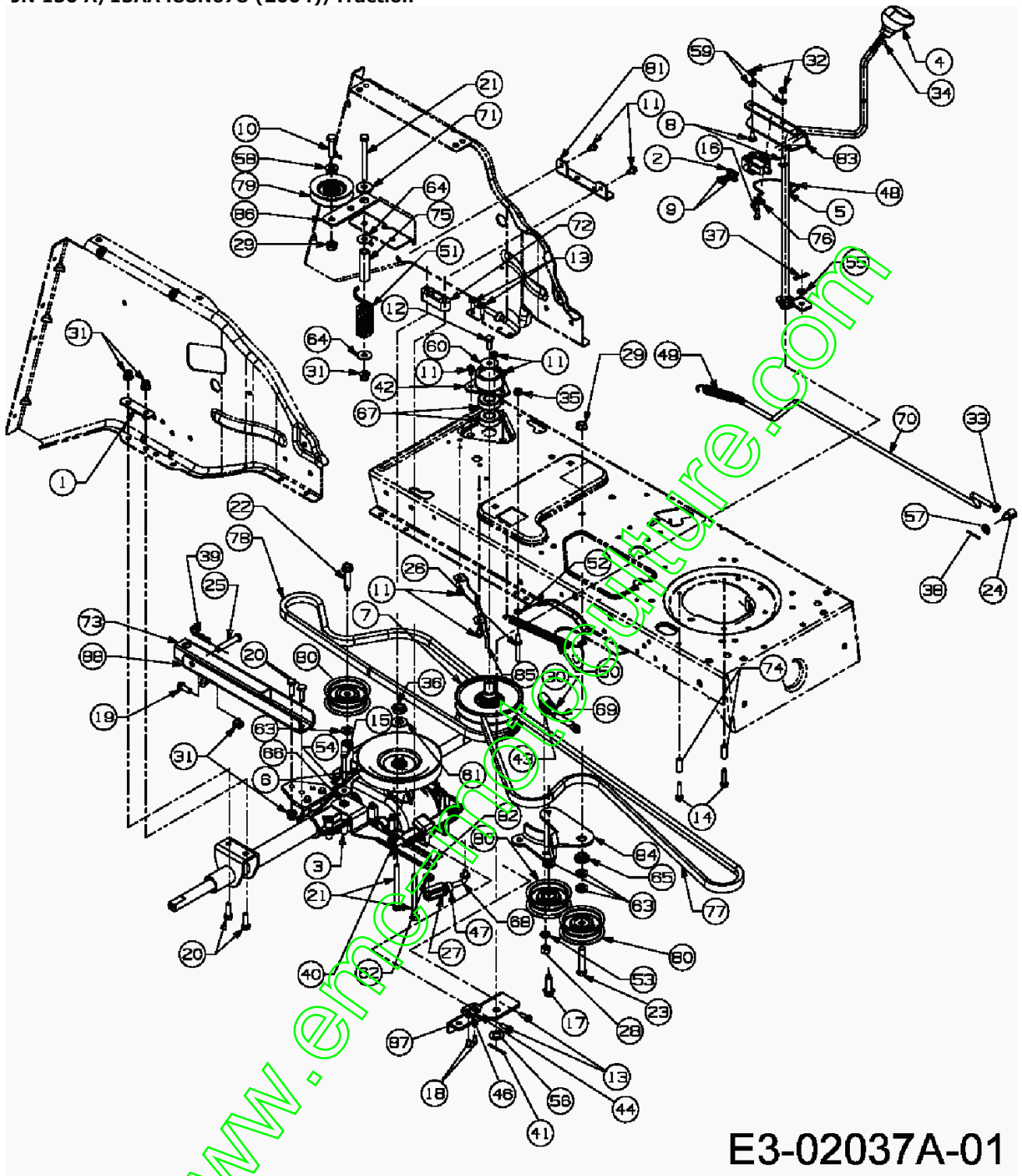
E3-02035A-01

Marche pied anti-dérappand

Position	Partnumber	Quantity	Designation	Standard	Additional
1	726-3046	12	CLIPS PLASTIQUE	FINISH: SCHWARZ	
2	735-04015	1	TRITTBRETTBELAG RECHTS 400 S		
3	735-04016	1	TRITTBRETTBELAG LINKS 400 S		

www.emc-motoculture.com

JN 150 A/13AA488N678 (2004)/Traction



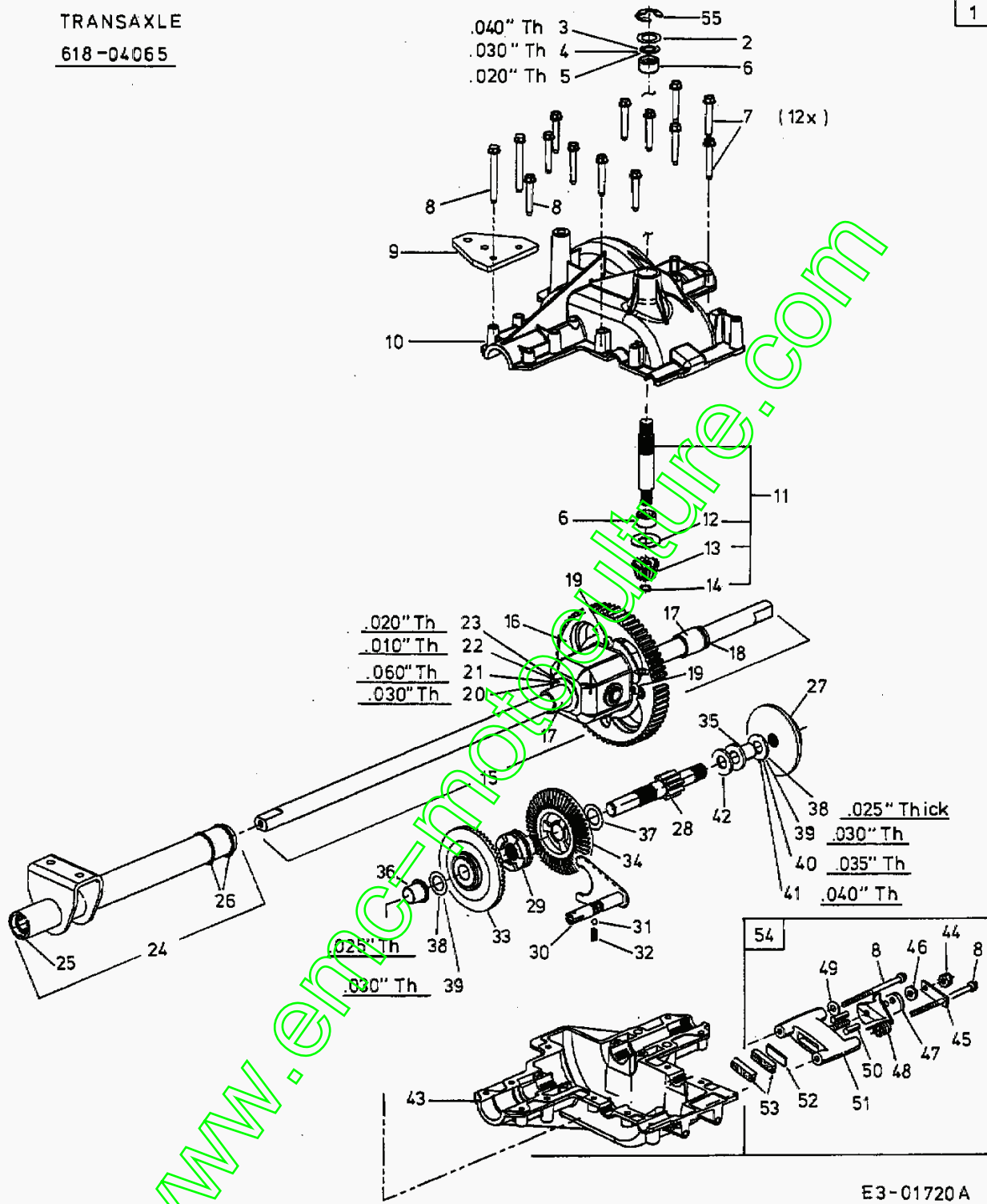
Traction

Position	Partnumber	Quantity	Designation	Standard	Additional
1	17840	1	SUPPORT	FINISH:17840-0637	
2	17962	1	PLAQUETTE	17962	
3	618-04065A	1	TRANSMISSION AUTODRIVE VISION		
4	631-0009A	1	POIGNEE	FARBE:SCHWARZ	
5	647-04013	1	LEVIER INVERSEUR DECK N-G	647-04013	
6	656-0002	1	POULIE DE PONT	656-0002	
7	656-0059A	1	POULIE VARIATEUR	VARIO-FAHRANTRIEB 956-0059A	
8	710-0134	2	VIS	FINISH:701-01000	
9	710-0224	2	VIS	FINISH:MTD STD 701-01002	
10	710-0344	1	VIS	FINISH:701-01000	
11	710-0599	7	VIS	FINISH:MTD SPEC-701-01002	
12	710-0627	1	VIS	FINISH:701-01000	
13	710-0642	4	VIS	MTD SPEC-701-01002 910-0642	
14	710-0809	2	VIS	FINISH:MTD SPEC-701-01002	
15	710-1206	1	VIS	FINISH:MTD SPEC-701-01002	
16	710-1237	1	VIS	FINISH:MTD STD 701-01002	
17	710-1315A	1			
18	710-1388	2	VIS TIN BZ 4,8x13 DI 7981	MTD SPEC-100015 22.6417.44	
19	710-1681	1	VIS HEXAGONALE DIN 933	MTD SPEC-100015 21.1441.70	
20	710-1682	4	VIS HEXAGONALE DIN 933	FINISH:SPEC-100015 21.1441.72	
21	710-1686	3	VIS	M8X90-8.8 21.1443.85	
22	710-1858A	1	VIS	FINISH:MTD SPEC 701-01002	
23	710-3144	1	VIS	710-3144 / 910-3144	
24	711-0677	1	EMBOUT- EX 711-0611	FINISH:VERZINKT SIEHE ZG.	
25	711-0679A	1	CHEVILLE	FINISH:SIEHE ZG.	
26	711-0747	1	GUIDE COURROIE	FINISH:SIEHE ZG.	
27	711-1407	1	TETE DE FOURCHE ZN5GL CB DIN71	Zn5glcB 9S20K 28.6218.17	
28	712-0241	1	ECROU	FINISH:701-01000	
29	712-0431	2	ECROU STOP 3/8-16	FINISH:MTD SPEC-100015	
30	712-0711	1	ECROU	MTD SPEC-100015 912-0711	
31	712-0714	8	ECROU	DIN 6926 MTD SPEC-100015	
32	712-3006	2	ECROU	FINISH:701-01000	
33	712-3007	1	ECROU 5/16-18	FINISH:MTD STD 701-01000	
34	712-3008	1	ECROU	FINISH:701-01000	
35	712-3027	1	ECROU	FINISH:701-01000	
36	712-3035	1	ECROU	FINISH:701-01000 912-3035	
37	714-0104	1	GOUPILLE	FINISH:PHOS AND OIL	
38	714-0111	1	EPINGLE	FINISH:GELBVERZINKT	
39	714-0147	1	PRISE PIVOTANTE 125 X 1,75	FINISH:SIEHE ZG.	
40	714-0209	1	GOUPILLE	FINISH: VERZINKT 914-0209	
41	714-0470	1	EPINGLE EX AF-43010	FINISH:PHOS & OIL 470 32 32	
42	718-04012	1	CAGE DE ROULEMENT	FINISH:ROSTSCHUTZ	
43	723-3018	1	ROTULE DE DIRECTION 3/8-24	723-3018	
44	725-1773	1	AGRAFFE DE SECURITE	FINISH:SIEHE ZG.	
46	726-0320	1	PLAQUE / ISOLATION	FINISH:NATUR ODER SCHWARZ	
47	726-0457	1	ES - ATTACHE DIN 71752	9S20K 25.9425.12	
48	732-0525	1	RESSORT	732-0525	
49	732-0716	1	RESSORT &&&	732-0716	
50	732-0963	1	RESSORT	SPEC 701-01006 OR 701-01000	
51	732-1030	1	RESSORT	20MM ID X 71MM LG	
52	736-0142	1	RONDELLE 1/4X.500X . 063	FINISH:701-01000	
53	736-0169	1	RONDELLE 3/8"	FINISH:MTD SPEC-100016	
54	736-0176	1	RONDELLE .25x.93X .125"	FINISH:MTD SPEC-100015	
55	736-0204	1	RONDELLE .344 X.62 X.03	FINISH:701-01000	
56	736-0272	1	RONDELLE .510x1.00x.060	FINISH:701-01000	
57	736-0275	1	RONDELLE 1.5 16	FINISH:701-01000	
58	736-0300	1	RONDELLE .406X.875 X .059	FINISH:MTD SPEC-100015	
59	736-0329	2	RONDELLE 1/4"	FINISH:701-01001 24.8195.16	
60	736-0362	1	RONDELLE .3200 X 1.25 ODX .0	FINISH:701-01001	
61	736-0427	1	RONDELLE	FINISH:701-01001	
62	736-3008	1	RONDELLE	FINISH:701-01000	
63	736-3010	4	RONDELLE	FINISH:701-01001	
64	736-3078	2	RONDELLE	FINISH:701-01001	
65	738-0372B	1	DOUILLE 1.00 X .38 X .38	FINISH:GEÖLT	
66	738-04029	1	RONDELLE EPAULEE	738-04029	
67	741-0600	2	ROULEMENT	741-0600/941-0600	
68	747-04167	1	VERSTELLSTANGE:500		
69	747-1127	1	TIGE D AJUSTEMENT	747-1127	
70	747-1298B	1	TIGE DE FREIN DECK N-G	FINISH:GELBVERZINKT,SIEHE ZG	
71	748-0331	1	ENTRETOISE	748-0331	
72	748-0334	1	ENTRETOISE	FINISH:GEÖLT	
73	749-04013	1	TUYAU DISPOSITIF D' ATTELAGE	30mm x 30mm x 216 LG:LACKIERT	
74	750-0566A	2	ENTRETOISE	FINISH:VERZINKT SIEHE ZG.	
75	750-1311	1	ENTRETOISE		
76	751B221535	1	SERRE	751B221535	
77	754-0626	1	COURROIE MOTEUR/VARIATEUR		
78	754-0629	1	COURROIE VARIATEUR/BOITE	POLY	
79	756-0236	1	POULIE	SCHWARZ LACKIERT ODER VERZINKT	
80	756-3054A	3	POULIE TENDEUR	FINISH:SIEHE ZG	
81	783-04051	1			
82	783-04161	1	SUPPORT	FINISH:GLANZVERZINKT,SIEHE ZG.	
83	783-04162A	1	SUPPORT	GELBVERZINKT	
84	783-04442	1	SPANNROLLENHALTER:CENTER DBL	FINISH:783-04442-Z	
85	783-04483	1			
86	783-1323	1	SUPPORT POULIE		
87	783-1362A	1	SUPPORT		
88	783-1369	1	GLISSIERE		

JN 150 A/13AA488N678 (2004)/Boite de vitesse

TRANSAXLE
618-04065

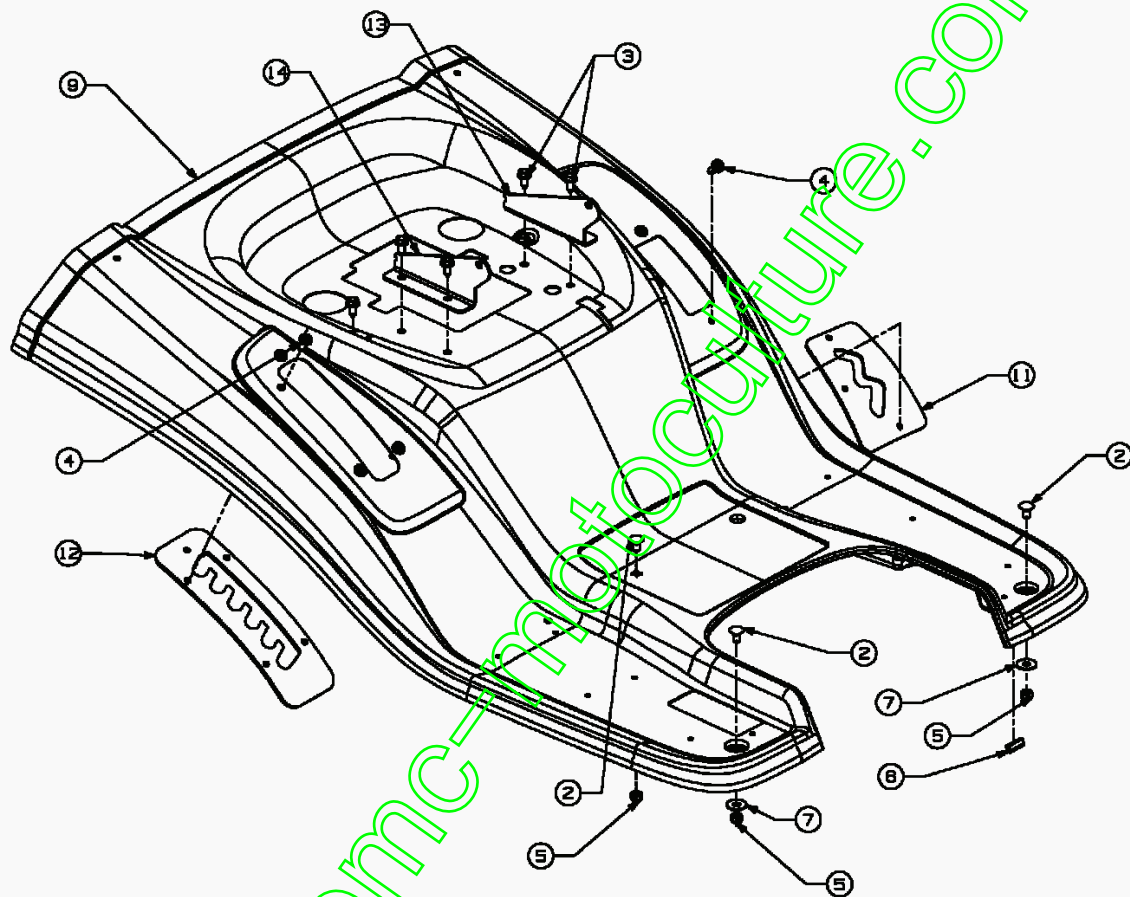
1



E3-01720 A

Boite de vitesse

Position	Partnumber	Quantity	Designation	Standard	Additional
1	618-04065	1	BOITE DE VITESSE AUTODRIVE		
2	732-0614	1	CLIPS RESSORT	FINISH:ZINC PHOSPHATE	
3	736-0337	1	RONDELLE 5/8 IDX1.0 ODX.040	FINISH:701-01001 936-0337	
4	736-0336	1	RONDELLE 5/8X1.00X.030	ZINC SIEHE ZG.	
5	736-0349	1	RONDELLE 5/8 IDX10 OD X .020	FINISH:SIEHE ZG.	
6	741-0335	2	ROULEMENT 1,5/8X1/2" LG	741-0335 / 941-0335	
7	710-1325	12	VIS	FINISH:MTD SPEC-701-01002	
8	710-1206	4	VIS	FINISH:MTD SPEC-701-01002	
9	783-1363	1	PLAQUE SUPPORT		
10	719-0572	1	CARTER SUPERIEUR		
11	611-0147	1	KIT ARBRE		incl. Ref. 12,13,14
12	736-0335	1	RONDELLE 1 5/8XA1.25"X.06	FINISH:SIEHE ZG.	
13	717-04009	1	RITZEL 14T 14.942 DP		
14	716-0385	1	CIRCLIPS	FINISH:SCHWARZ PHOS & OIL	
15	618-0583	1	TT-19216231510	SINGLE SPEED	incl. Ref. 16-23
16	717-1421	1	COURONNE DE DIFERENTIEL 45T		
17	741-0340	3	DOUILLE 1,3/4X1,0" lg	741-0340 / 941-0340	
18	721-0338	1	JOINT	.75x1.00x.125	
19	710-1193A	4	VIS	FINISH:701-01001	
20	736-0351	1	RONDELLE .75x1.50"	736-0351/936-0351	
21	736-0445	1	RONDELLE	FINISH:701-01001	
22	736-0492	1	RONDELLE 76X1.5X.010	736-0492 / 936-0492	
23	736-0493	1	RONDELLE 76X1.5X.020	736-0493/936-0493	
24	618-0582	1	TUBE SUPPORT PONT	MIT O-RING u.NADELLAGER	incl. Ref. 25,26
25	741-0726	1	CAGE AIGUILLE		
26	721-0521	2	JOINT 1.174 ID X 103 THK	FINISH:NONE	
27	761-0202	1	DISQUE / FREIN	FINISH:ÖL UND FETTFREI	
28	711-1592	1	ARBRE		
29	718-0228	1	CRABOT	718-0228	
30	611-0146	1	FOURCHETTE		
31	741-1134	1	BILLE	FINISH:SIEHE ZG.	
32	732-1032	1	RESSORT	FINISH:PHOS & OIL	
33	717-1758	1	PIGNON 55 DENTS	D 15mm	
34	717-1759	1	PIGNON 55 T	D 17mm	
35	741-0337	1	SUPPORT DE BRIDE 1.5/8X15/16"	941-0337	
36	741-0336	1	SUPPORT DE BRIDE 1.5/8X3/4"	FINISH:SIEHE ZG. 941-0336	
37	736-0519	1	RONDELLE	736-0519/936-0519	
38	736-0495	2	RONDELLE 5/8X1X.25	FINISH:SIEHE ZG. 936-0495	
39	736-0336	2	RONDELLE 5/8X1.00X.030	ZINC SIEHE ZG.	
40	736-0494	1	RONDELLE	FINISH:SIEHE ZG.	
41	736-0337	1	RONDELLE 5/8 IDX1.0 ODX.040	FINISH:701-01001 936-0337	
42	736-0349	1	RONDELLE 5/8 IDX10 OD X .020	FINISH:SIEHE ZG.	
43	719-04051	1	CARTER INFERIEUR		
44	712-0273	1	ECROU HEXAGONAL 5/16-24"	FINISH:MTD STD 701-01000	
45	718-0150	1	ECLISSE	FINISH:VERZINKT SIEHE ZG.	
46	736-0371	1	RONDELLE 1.344XA .875"	FINISH:701-01001	
47	717-0772B	1	LEVIER	FINISH:PHOSPHATE & OIL	
48	732-0743	1	RESSORT	FINISH:ZINC PHOS&OIL 932-0743	
49	736-0142	2	RONDELLE 1/4X.500X.063	FINISH:701-01000	
50	741-0343	2	CHEVILLE / PRESSION 5/16"	941-0343	
51	761-0198A	1	CORPS DE FREIN	FINISH:NONE	
52	717-0682	1	PLAQUE	FINISH:NONE 917-0682	
53	717-0678	2	PLAQUETTE DE FREIN	917-0678	
54	661-0006	1	SUPPORT PLAQUETTE FREIN PRIX ?	661-0006	incl. Ref. 8,44-53
55	716-0231	1	CIRCLIPS	FINISH:PHOS & OIL 916-0231	



E3-02050A-01

Support de siège

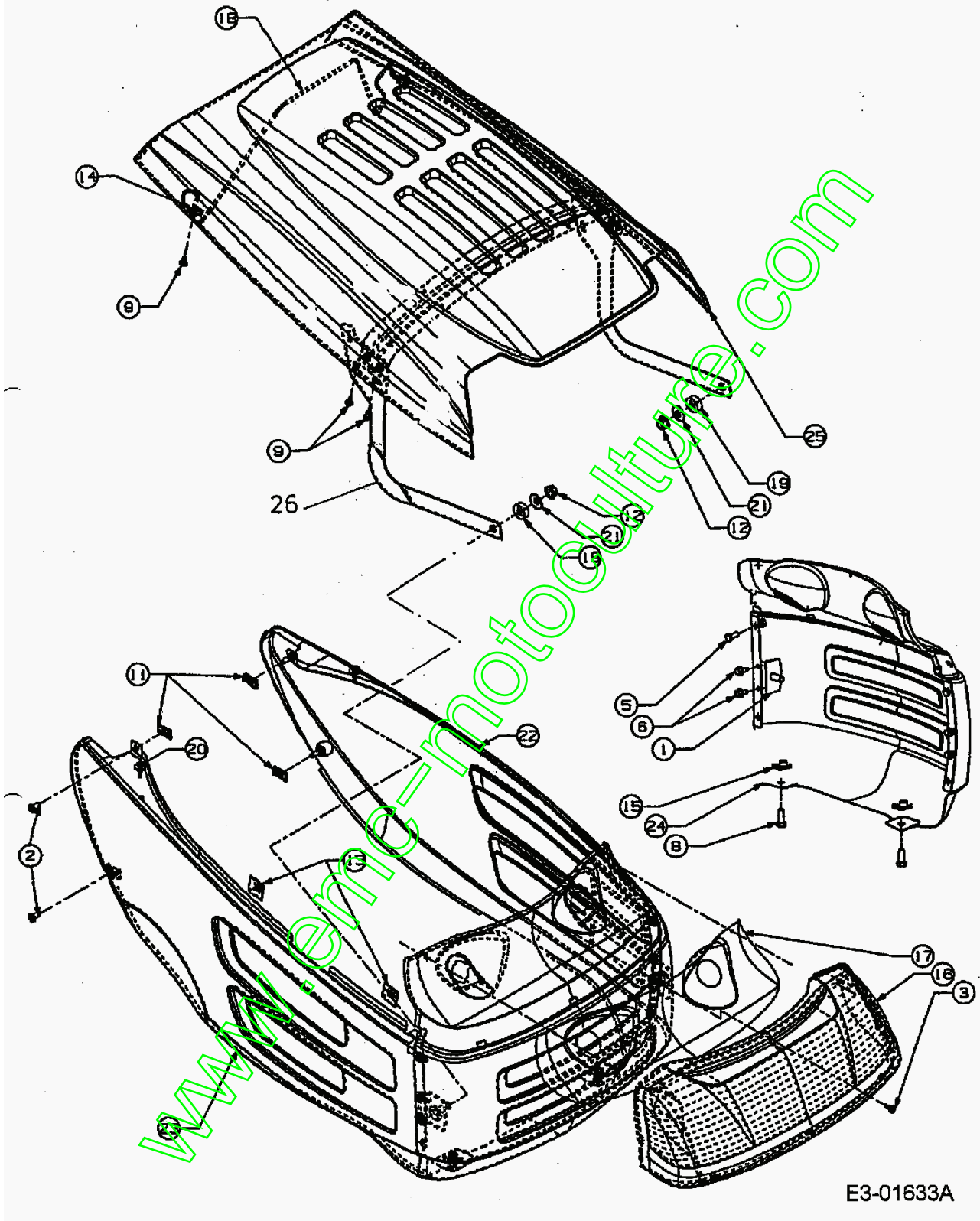
Position	Partnumber	Quantity	Designation	Standard	Additional
2	710-0260A	4	VIS	FINISH:701-01000	
3	710-0726	6	VIS 5/16-12:0.750:HXINDWS	FINISH:701-01002	
4	710-1611B	7	VIS	FINISH:MTD SPEC-701-01002	
5	712-0429	4	ECROU:5/16-18:GR5:NYLON	FINISH:701-01000	
6	731-0511	1	PROTECTION ANGLES	FINISH:SCHWARZ, SIEHE ZG.	
7	736-3078	2	RONDELLE	FINISH:701-01001	
9	783-04152	1			
11	783-04397	1	783-04397-Z	783-04397-Z	
12	783-1404A	1	CREMAILLE HAUTEUR DE COUPE	450/500:VERZINKT	
13	783-1496	1	SUPPORT DE SIEGE GAUCHE	FINISH:LACKIERT	
14	783-1500	1	SUPPORT DE SIEGE DROIT	FINISH:LACKIERT	

www.emc-motoculture.com

JN 150 A/13AA488N678 (2004)/Calandre,Capot moteur

500er Serie

Hood, Grill 8-Style w/Latch

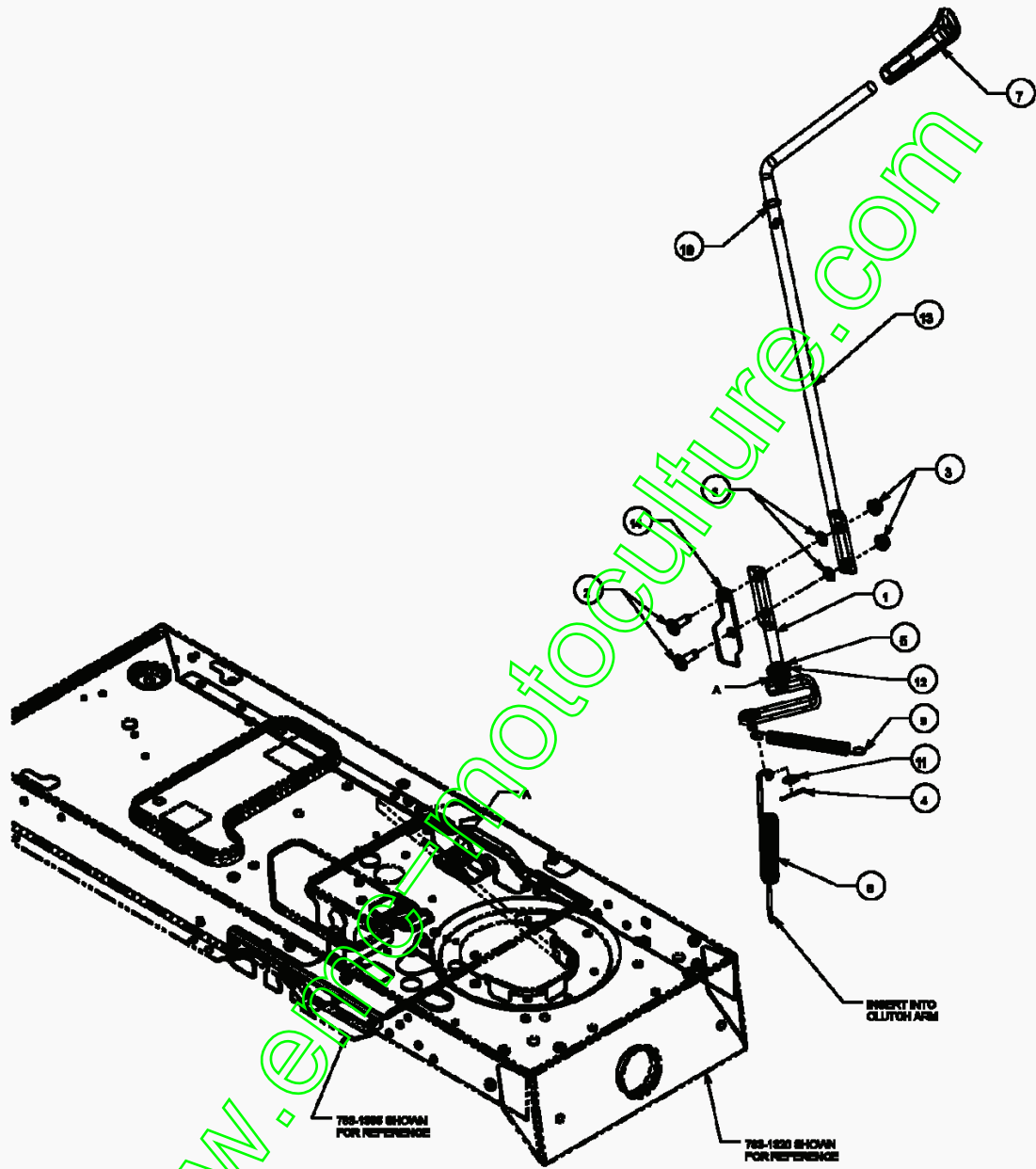


Calandre,Capot moteur

Position	Partnumber	Quantity	Designation	Standard	Additional
1	683-0195	2	SUPPORT CALANDRE STL 8	FINISH:683-0195-Z	
2	710-0286	2	VIS 1/4-20X;50"	FINISH:701-01000	
3	710-0456	1	VIS	FINISH:701-01002	
5	710-0751	2	VIS	FINISH:701-01000	
6	710-0896	4	VIS	FINISH:MTD STD 701-01002	
7	710-0924	2	VIS 1/4-20X;75" LG	FINISH:701-01000	
8	710-1681	2	VIS HEXAGONALE DIN 933	MTD SPEC-100015 21.1441.70	
9	710-1760	6	VIS	PHOS & OIL (ähnlich 710-0779A)	
10	712-0271	2	ECROU 1/4-20"+ DISQUE DENTÉ	FINISH:701-010015	
11	712-0292	4	ECROU POUR CAGE 1/4-20	FINISH:SIEHE ZG.	
12	712-0431	2	ECROU STOP 3/8-16	FINISH:MTD SPEC-100015	
13	726-0359	2	PLAQUE ISOLANT	A4M (PB-NR.) 000.70.264	
14	726-0362	2	ECROU	000.06.044	
15	726-0365	2	BESTELL-Nr.BM 53313 000.02.520	BESTELL-Nr.BM 53313 000.02.520	
16	731-1854A	1	GLACE DE PHARE		
17	731-2140	1	REFLECTEUR CALANDRE STL 8		
18	732-0886	1	SUPPORT ETRIER CAPOT STL 8	GESCHWÄRZT ODER PHOSPHATIERT	
19	735-0126	2	RONDELLE CAOUTCHOUC	33X87X.32	
20	735-0199A	2	PROTECTION CAOUTCHOUC	FINISH:SCHWARZ 935-0199A	
21	736-0105	2	RONDELLE BELLEVILLE	FINISH:MTD SPEC-100016	
22	783-0475A	1	TOLE LATERALE GAUCHE		
23	783-0476B	1	TOLE LATERALE DROITE		
24	783-0477A	1	GRILL:8 STYLE	FINISH:LACKIERT	
25	783-0478A	1	CAPOT STYLE 8	783-0478A-0638	
26	683-0220A	1	HAUBENHALTER 7/8 STYLE		

www.emc-motoculture.com

JN 150 A/13AA488N678 (2004)/Commande de prise de Force



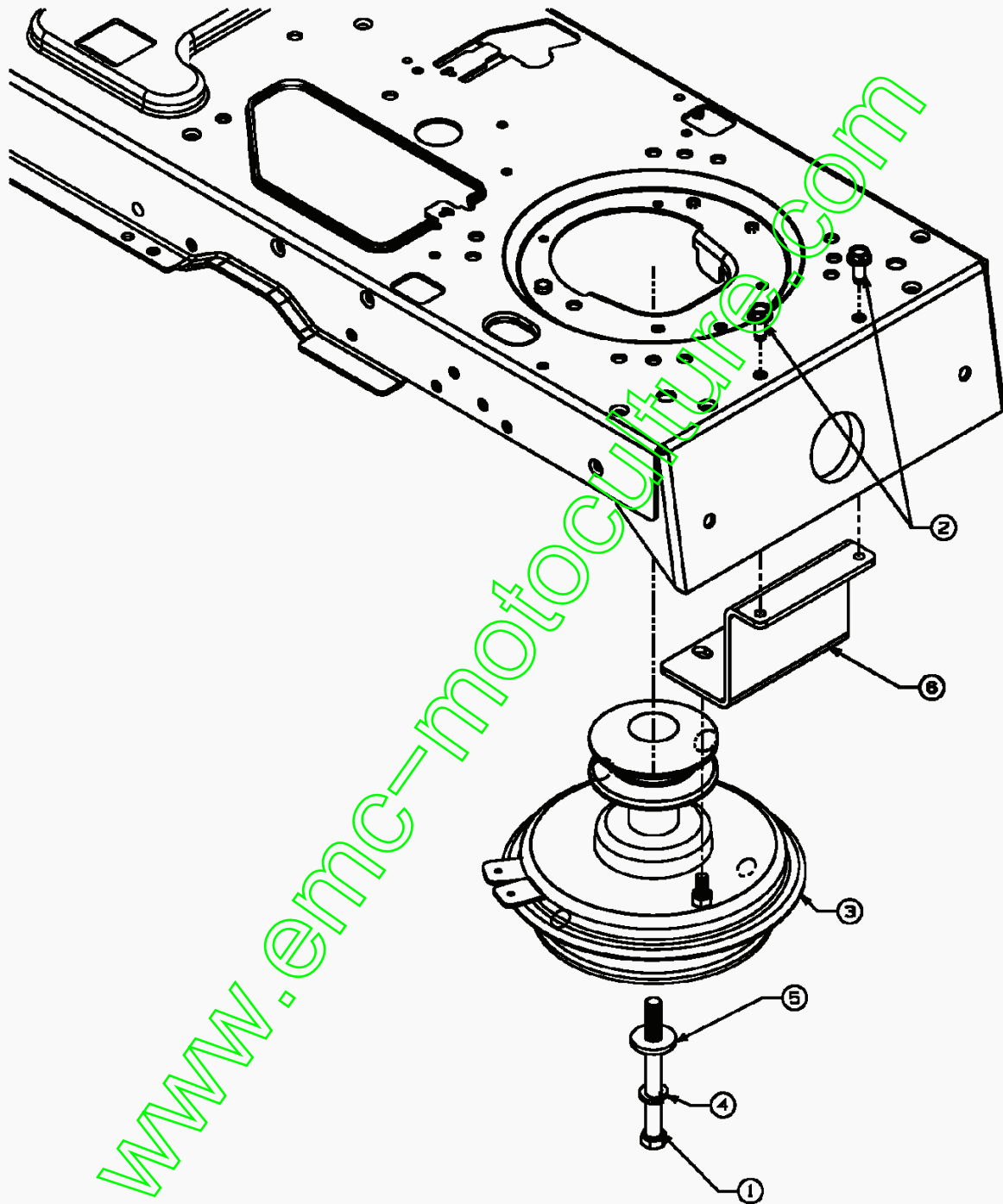
E3-02062A-01

Commande de prise de Force

Position	Partnumber	Quantity	Designation	Standard	Additional
1	647-0066	1	EINSCHALTHEBEL MAN.PTO	500er RIDER	
2	710-0276	2	BOULON 5/16-18x1;0"	FINISH:701-01000	
3	712-3004A	2	ECROU	FINISH:701-01000	
4	714-0111	1	EPINGLE	FINISH:GELBVERZINKT	
5	716-0104	1	CIRCLIPS	FINISH:ÖL BENETZT	
6	726-0201	2	CLIPS	FINISH:MTD STD 701-01001	
7	731-2111A	1	POIGNEE PTO	SCHWARZ Aufkl. 777I20544	
8	732-04000	1	ZUGFEDER .75 OD X 10.6 LG		
9	732-1165	1	ZUGFEDER:.50 DIA x 5.0 LG	FINISH:PHOS & OIL	
10	736-0108	1	RONDELLE	FINISH:701-01000	
11	736-0314	1	RONDELLE 375 X 70 X .030	FINISH:701-01001	
12	741-0708	1	BAGUE	GESCHLITZT	
13	747-1112D	1	LEVIER PLATEAU PTO MANUEL.	FINISH:SIEHE ZG.	
14	783-1497	1	PATTE DE RACCORDEMENT	EINRÜCKEN/STOP	

www.emc-motoculture.com

JN 150 A/13AA488N678 (2004)/Poulie moteur (manuel)

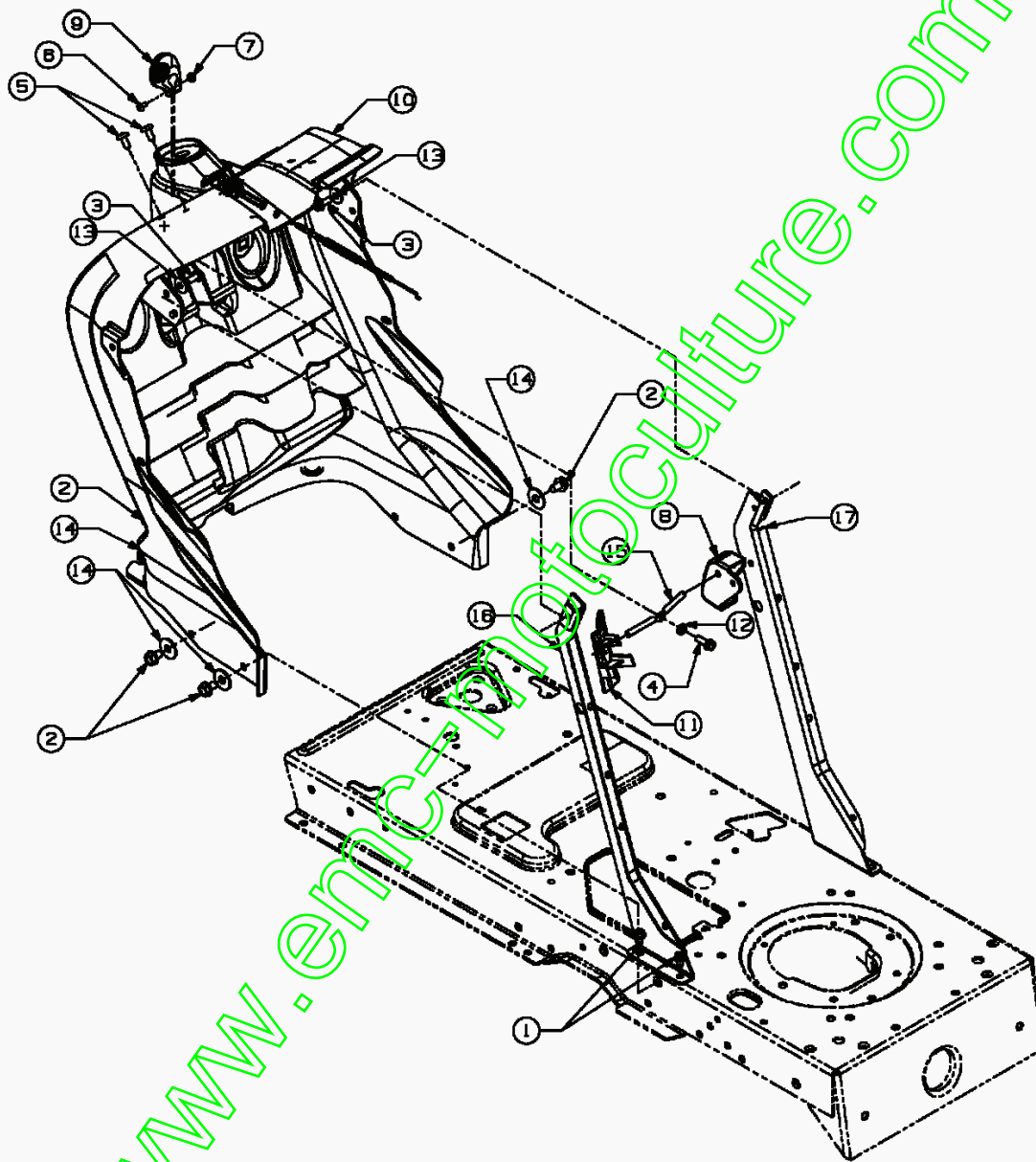


E3-02063A-01

Poulie moteur (manuel)

Position	Partnumber	Quantity	Designation	Standard	Additional
1	710-04002	1	VIS:7/16-20:4.50	FINISH:701-01000	
2	710-1260A	2	VIS TT:5/16-18:.750 HXINDWSH	LAGERGEH.MESSERWELLE:701-01002	
3	717-1787A	1	P.T.O	KUGELLAGER 26.1026.05	
4	736-0171	1	RONDELLE 7/16"	FINISH:MTD STD 701-01001	
5	736-0322	1	RONDELLE .450 X 1.250 X .164	936-0322 / FINISH:701-01001	
6	783-04000A	1	SUPPORT:STOP:EMBAYAGE	SCHWARZ LACKIERT	

www.emc-motoculture.com



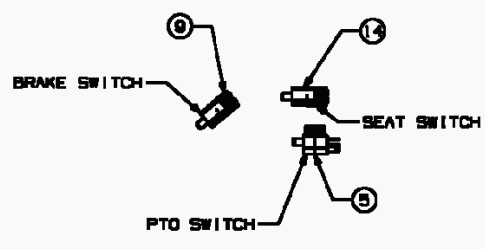
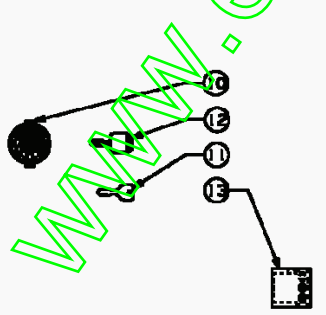
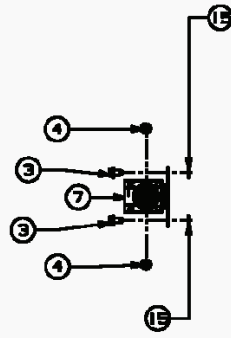
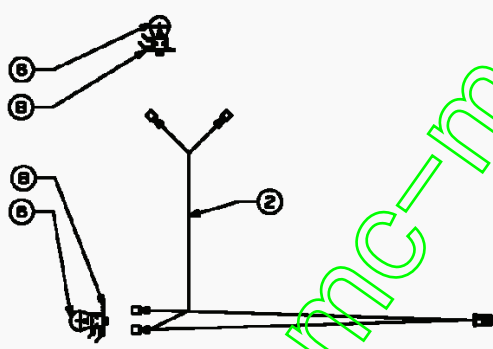
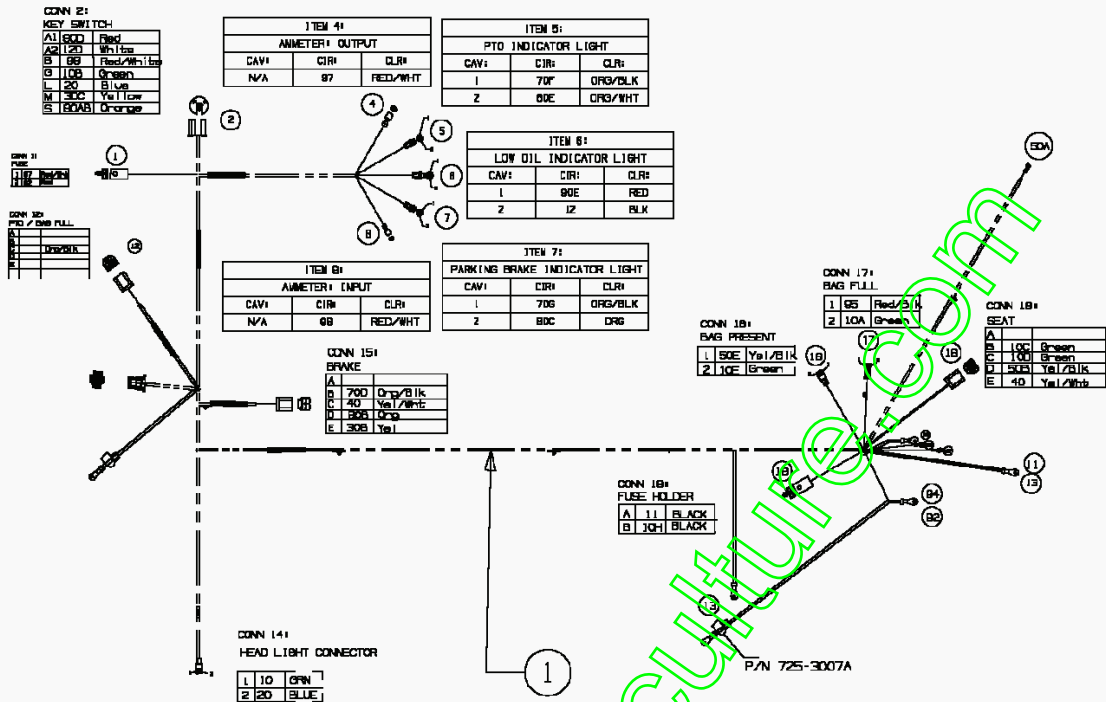
E3-02021A-01

Panneau

Position	Partnumber	Quantity	Designation	Standard	Additional
1	710-0599	4	VIS	FINISH:MTD SPEC-701-01002	
2	710-0604A	5	VIS	FINISH:MTD SPEC-701-01002	
3	710-0642	2	VIS	MTD SPEC-701-01002 910-0642	
4	710-0895	1	VIS	FINISH:701-01002	
5	710-1017	2	VIS	FINISH:MTD SPEC-100016	
6	710-3217	1	VIS	TRUSPHI FINISH:701-01000	
7	712-0142	1	ECROU	FINISH:701-01000	
8	731-04217	1	731-04217	731-04217	
9	731-1857	1	POIGNEE NOIRE	731-1857	
10	731-2122C	1	TABLEAU DE BORD	500er RIDER MIT MAN-PTO	
11	731-2228	1	FARBE SCHWARZ	FARBE SCHWARZ	
12	736-0142	1	RONDELLE 1/4X.500X . 063	FINISH:701-01000	
13	736-0270	2	RONDELLE 265 X 75 X 0.62"	FINISH:701-01001	
14	736-3078	5	RONDELLE	FINISH:701-01001	
15	747-1196	1	CRUISE/BREMSE	CRUISE/BREMSE	
16	783-04285	1			
17	783-04323	1			

www.emc-motoculture.com

JN 150 A/13AA488N678 (2004)/Faisceau



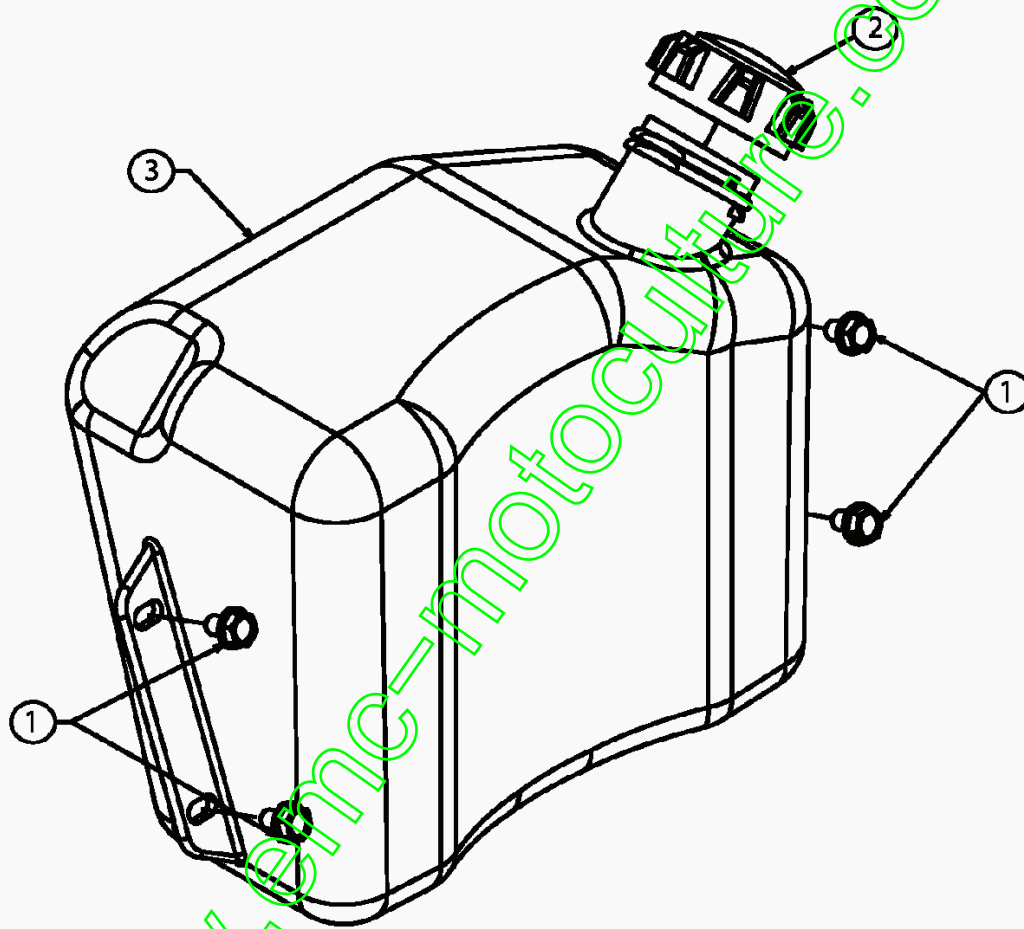
E3-02019A-01

Faisceau

Position	Partnumber	Quantity	Designation	Standard	Additional
1	629-04021	1	FAISCEAU COMPLET	W/MON	
2	629-0469B	1	FAISCEAU DE PHARE		
3	710-0599	2	VIS	FINISH:MTD SPEC-701-01002	
4	712-0271	2	ECROU 1/4-20"+ DISQUE DENTÉ	FINISH:701-010015	
5	725-04038	1	SECURITE EMBRAYAGE LAMES	NO/NC/NC SNAP MT	
6	725-0963	2	AMPOULE DE PHARE		
7	725-1426	1	RELAIS DE DEMARRAGE SOLENOID	725-1426 Mutter 712-0271	
8	725-1649	2	SUPPORT AMPOULE PLASTIQUE	725-1649 grau Kunst.	
9	725-1657A	1	SECURITE D'EMBAYAGE	Sich.Mähwerk+Kuppl. GRAU	
10	725-1741	1	CONTACTEUR A CLE	725-1741/925-1741	
11	725-1744	1	CLE DE CONTACT		
12	725-1745	1	CLE DE DEMARRAGE	725-1745	
13	725-1758	1	AMPERMETRE	MIT AMMETER	
14	725-2013	1	SECURITE DE SIEGE		
15	736-0222	2	RONDELLE	FINISH:701-01001	

www.emc-motoculture.com

JN 150 A/13AA488N678 (2004)/Reservoir

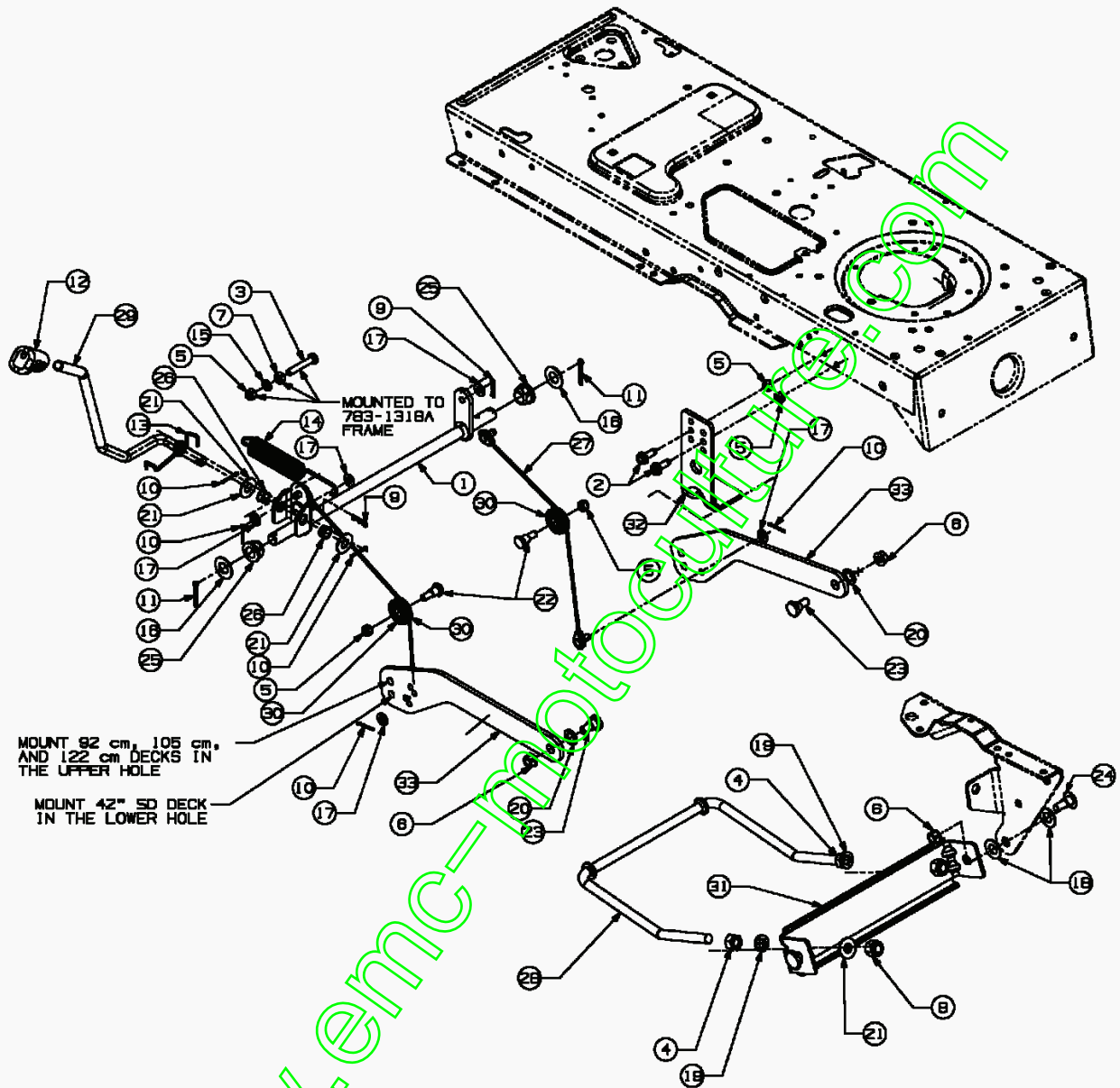


E3-02020A-01

Reservoir

Position	Partnumber	Quantity	Designation	Standard	Additional
1	710-0604A	4	VIS	FINISH:MTD SPEC-701-01002	
2	751-0603	1	BOUCHON RESERVOIR ESSENCE	FINISH:SCHWARZ	
3	751-0818A	1	RESERVOIR	500er RIDER	

www.emc-motoculture.com



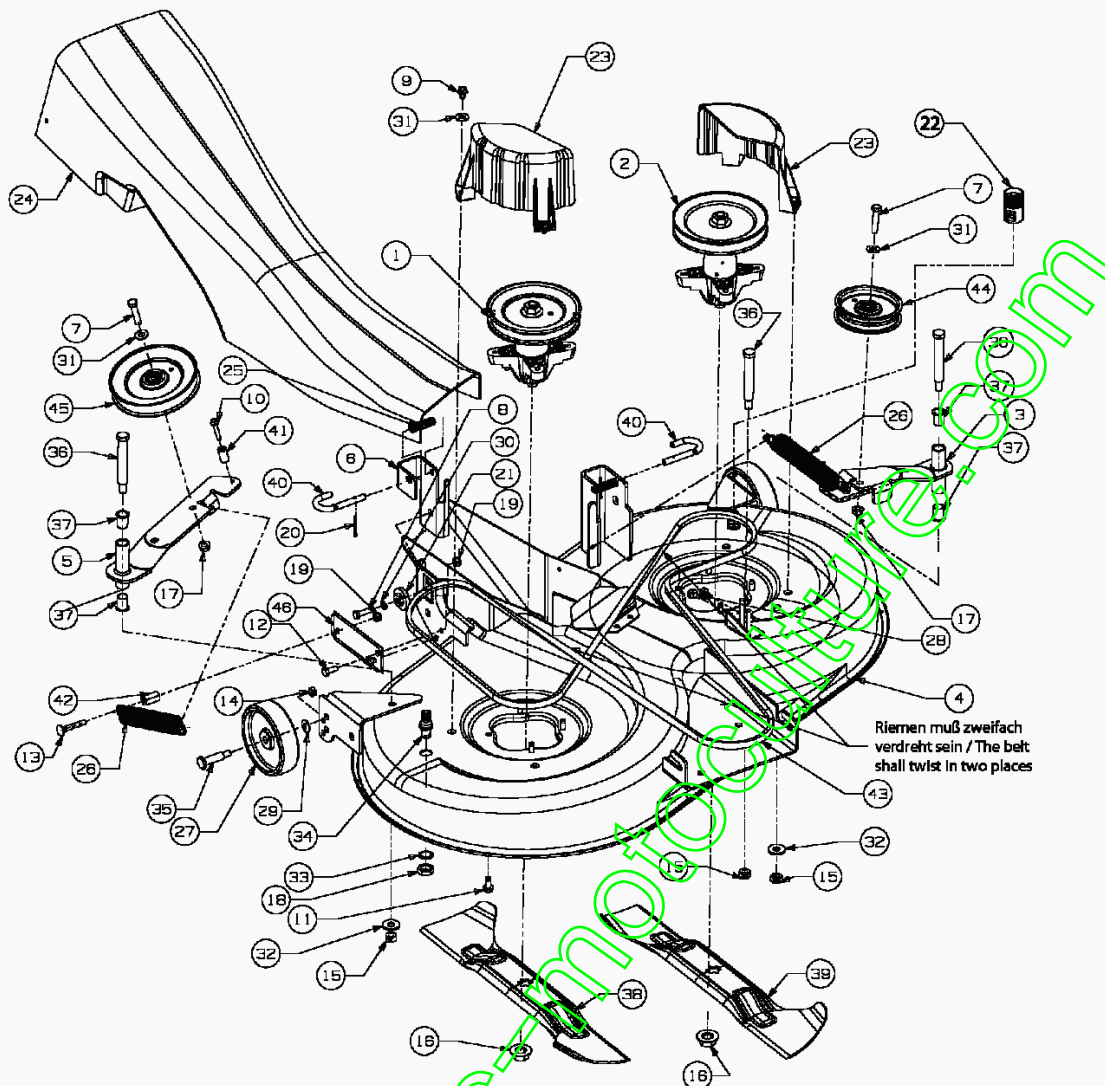
E3-02075A-01

Relevage plateau de coupe

Position	Partnumber	Quantity	Designation	Standard	Additional
1	683-0587	1	ARBRE DE RELEVAGE DECK CPL.	683-0587637	
2	710-0650	2	VIS	FINISH:MTD SPEC-701-01002	
3	710-3180	1	VIS	FINISH:701-01000	
4	712-0206	2	ECROU	FINISH:701-01000	
5	712-0429	5	ECROU:5/16-18:GR5:NYLON	FINISH:701-01000	
6	712-0431	4	ECROU STOP 3/8-16	FINISH:MTD SPEC-100015	
7	712-3010	1	ECROU	FINISH:701-01000	
8	712-3083	2	ECROU	FINISH:701-01000	
9	714-0104	2	GOUPILLE	FINISH:PHOS AND OIL	
10	714-0111	5	EPINGLE	FINISH:GELBVERZINKT	
11	714-0162	2	EPINGLE	714-0162	
12	720-0311	1	POIGNEE LEVIER DE VITESSE	FARBE:SCHWARZ	
13	732-04004	1	RESSORT	500er RIDER	
14	732-0971	1	RESSORT	FINISH:SIEHE ZG.	
15	736-0119	1	RONDELLE 5/16	FINISH:701-01001	
16	736-0187	2	RONDELLE .64X1.24X.06	FINISH:701-01001	
17	736-0275	5	RONDELLE 1.5/16	FINISH:701-01000	
18	736-0414	4	RONDELLE	736-0414 / 936-0414	
19	736-0921	2	RONDELLE 1/2"	FINISH:701-01001	
20	736-3068	2	RONDELLE	FINISH:701-01000	
21	736-3084	4	RONDELLE	FINISH:MTD STD 701-01001	
22	738-0138A	2	VIS	FINISH:MTD STD 701-01006	
23	738-0143	2	VIS	FINISH:MTD STD 701-01000	
24	738-0507B	2	VIS	FINISH:PHOS & OIL	
25	741-0225	2	BAGUE HEXAGONALE TEFLON 6 PANS	FINISH:SCHWARZ	
26	741-0715	2	BAGUE	741-0715	
27	746-1139	2	CABLE DE RELEVAGE	FINISH:SIEHE ZG.	
28	747-1130B	1	ETRIER-RELEVAGE AVANT	5" DIA MTD SPEC 701-01006	
29	747-1280	1	LEVIER DE RELEVAGE		
30	756-1154	2	POULIE	FINISH: SCHWARZ	
31	783-0720A	1	SUPPORT STABILISATEUR	FINISH: LACKIERT	
32	783-0891B	1	BUTEE DE RELEVAGE		
33	783-1328A637	2	LEVIER DE RELEVAGE	SCHWARZ LACKIERT	

www.emc-motocycle.com

JN 150 A/13AA488N678 (2004)/Plateau de coupe N



Bemerkung / Notes:
 Schlauchadapter 721-04041 (Pos.22) wird in der Anleitungstasche mitgeliefert (nicht bei allen Modellen im Lieferumfang)
 Adapter nozzle 721-04041 (# 22) is shipped in owner's manual bag (not included at all units)

E3-02073B-01

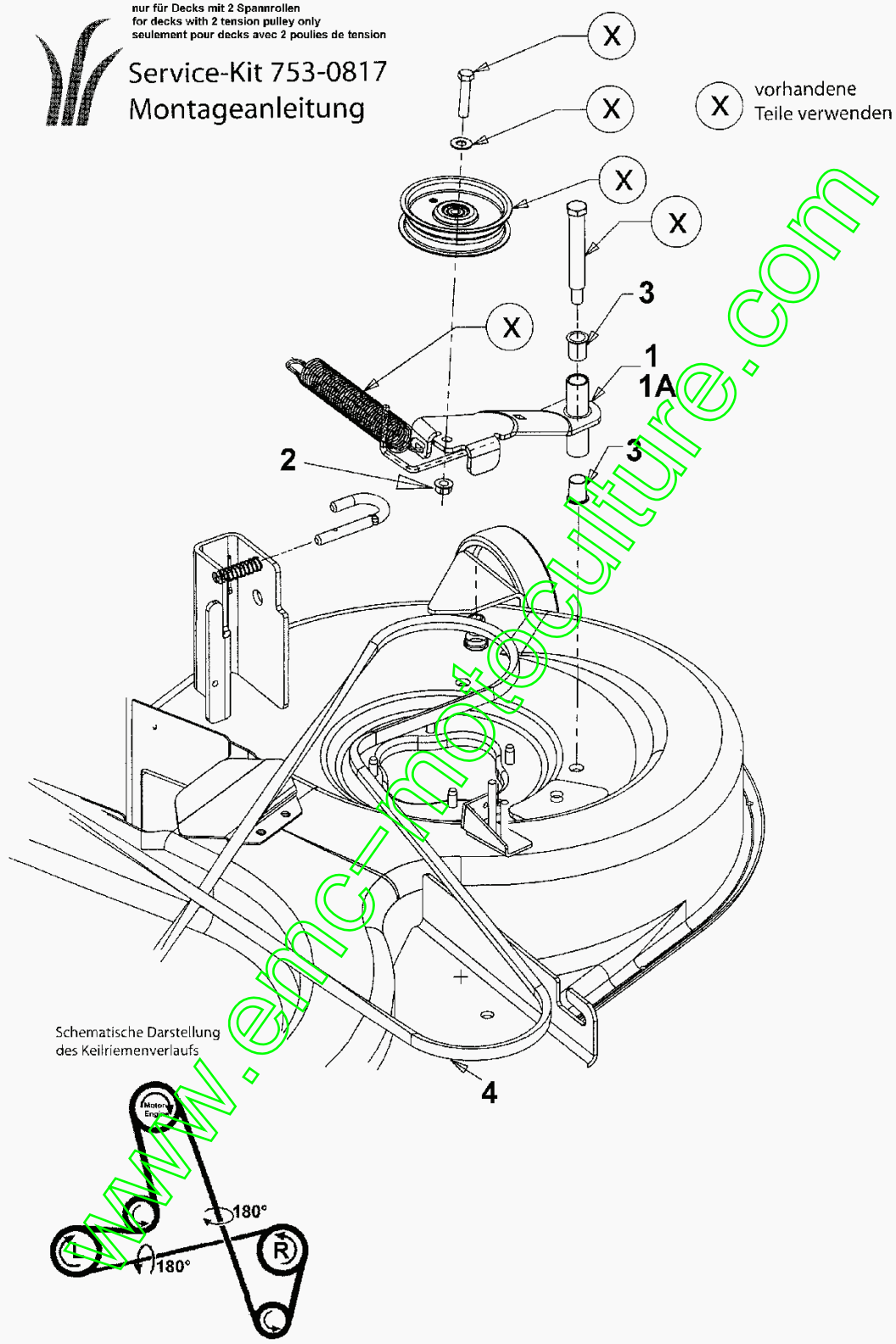
Plateau de coupe N

Position	Partnumber	Quantity	Designation	Standard	Additional
1	618-04075	1			
2	618-04076	1			
3	683-04058	1	DECK 500 S SCHWARZ	DECK 500 S SCHWEIßTEIL	
4	683-04059A	1			
5	683-04061	1	DECK 500 S SCHWEIßTEIL		
6	683-0596	1	SUPPORT	683-0596-0637	
7	710-0347	2	VIS	FINISH:701-01000	
8	710-0528	1	VIS	FINISH:701-01000 910-0528	
9	710-0607	4	VIS	FINISH:MTD SPEC-701-01002	
10	710-0778	1	VIS	FINISH:MTD SPEC-701-01002	
11	710-1260A	8	VIS TT:5/16-18:.750 HXINDWSH	LAGERGEH.MESSERWELLE:701-01002	
12	710-1681	2	VIS HEXAGONALE DIN 933	MTD SPEC-100015 21.1441.70	
13	710-1719	1	VIS M8 X50 DIN 603	MTD-SPEC-100015 22.3419.32	
14	712-0181	2	ECROU	TOP LOCK MTD SPEC-100015	
15	712-0290	3	ECROU	FINISH:701-01000	
16	712-0417A	2	ECROU	FINISH:701-01000	
17	712-0431	2	ECROU STOP 3/8-16	FINISH:MTD SPEC-100015	
18	712-0641	2	ECROU A OREILLES	FINISH: 701-01000 24.1424.31	
19	712-0692	3	ECROU	FINISH:SPEC-100015 24.1426.18	
20	714-0470	2	EPINGLE EX AF-43010	FINISH:PHOS & OIL 470 32 32	
21	717-1553B	1	ROUE:HAUTEUR DE COUPE:PLATEAU		
22	721-04041	1	ADAPTATEUR BUSE DE LAVAGE	921-04041	
23	731-2538	2	PROTECTION COURROIE DE LAME	92CM/105CM FINISH: SCHWARZ	
24	731-2539A	1	CANAL D'ÉJECTION ARRIERE versi	DECK 105 cm SCHWARZ	
25	732-0306A	2	RESSORT: .531 OD X 1.75LG	FINISH:MTD SPEC 701-01000	
26	732-04099	2	RESSORT		
27	734-0973	2	ROUE DE PLATEAU	SCHWARZ	
28	735-0271	2	PROTEGE CAOUTCHOUC	FINISH: SCHWARZ	
29	736-0105	2	RONDELLE BELLEVILLE	FINISH:MTD SPEC-100016	
30	736-0119	1	RONDELLE 5/16	FINISH:701-01001	
31	736-0300	6	RONDELLE .406X.875 X .059	FINISH:MTD SPEC-100015	
32	736-04097A	2	RONDELLE	FINISH:701-01000	
33	736-0760	2	RONDELLE 17X23.8X1.95	FINISH:701-01001	
34	737-04003B	2	BUSE DE LAVAGE		
35	738-0373	2	AXE DE ROUE DE PLATEAU	FINISH:701-01000	
36	738-0476	3	VIS: .625x3.50:7/16-14	FINISH:PHOS & OIL	
37	741-0591	4	SUPPORT DE BRIDE .630"	741-0591/941-0591	
38	742-04080	1	LAME GAUCHE	STAR BAG	
39	742-04081	1	LAME DROITE	STAR BAG	
40	747-04116	2	GOUPILLE	3/75 DIA	
41	750-04182	1	DOUILLE		
42	750-04195	1	DOUILLE	DIN 2391	
43	754-04069	1	COURROIE DE LAME		
44	756-04049	1	POULIE DE RENVOI GAUCHE		
45	756-04050	1	POULIE DE RENVOI DROITE	FINISH: SCHWARZ LACKIERT	
46	783-04255	1	COMMANDE D'ARRET	500 SERIES	

JN 150 A/13AA488N678 (2004)/Kit bras tendeur courroie plateau de coupe N

 nur für Decks mit 2 Spannrollen
for decks with 2 tension pulley only
seulement pour decks avec 2 poulies de tension

Service-Kit 753-0817
Montageanleitung



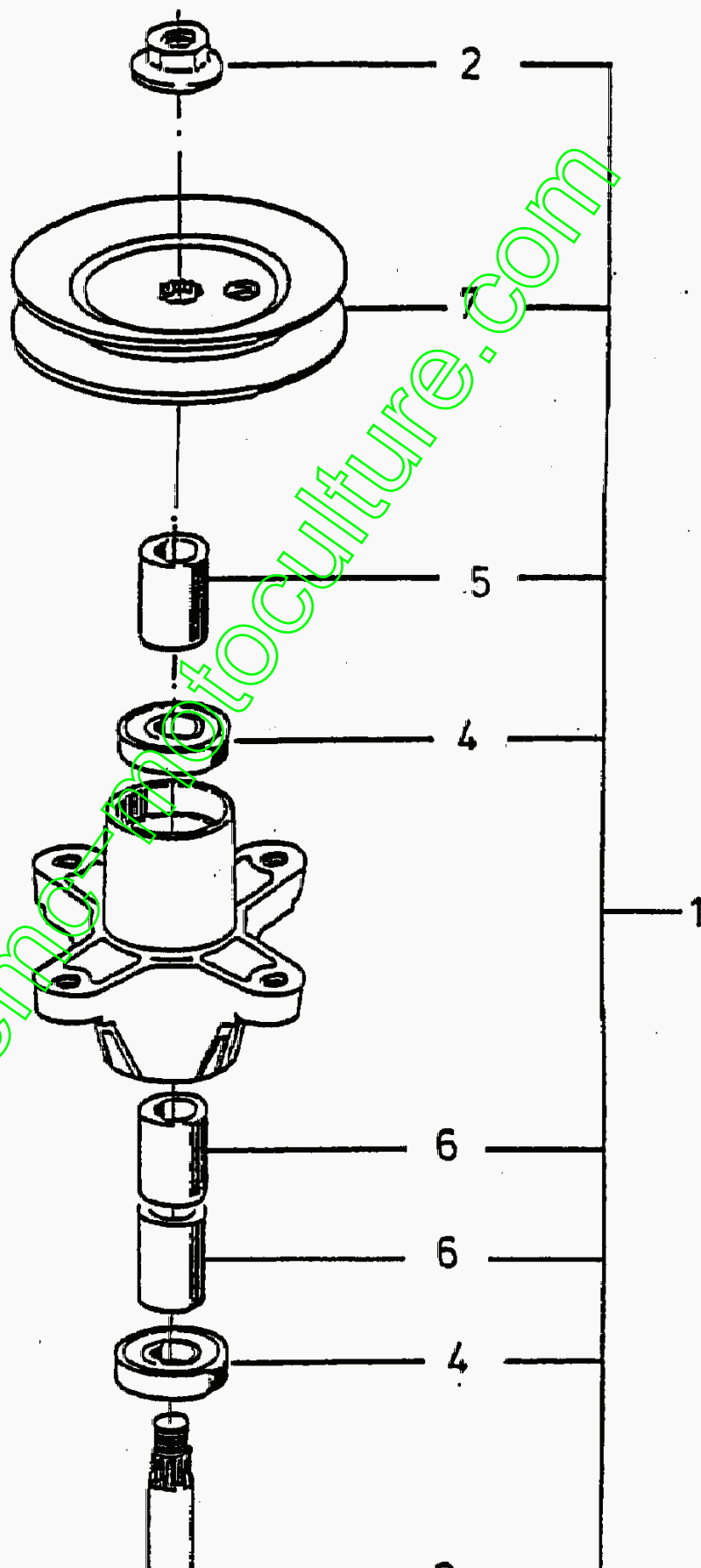
E3-02073B-02

Kit bras tendeur courroie plateau de coupe N

Position	Partnumber	Quantity	Designation	Standard	Additional
1	683-04058A-S	1	N-DECK:500 SCHWARZ GEPULVERT	N-DECK:500 SCHWARZ GEPULVERT	
1A	683-04058ARM	1	N-DECK 500 / RED METALIC LACK.	N-DECK 500 / RED METALIC LACK.	
2	712-0290	1	ECROU	FINISH:701-01000	
3	741-0591	2	SUPPORT DE BRIDE .630"	741-0591/941-0591	
4	754-04075	1	COURROIE		fsg

www.emc-motoculture.com

Spindle Assy. / Messerspindel vollst.



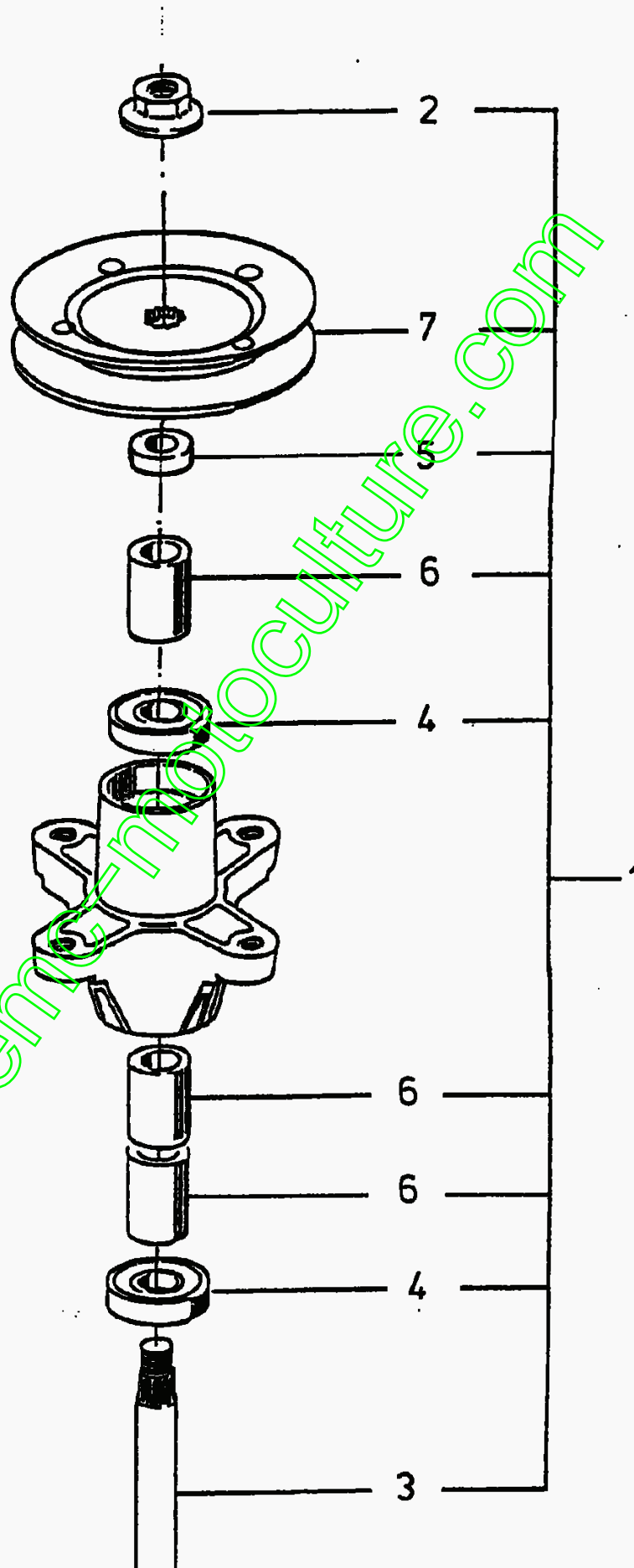
Axe de lame 618-0624

Position	Partnumber	Quantity	Designation	Standard	Additional
1	618-0624	1	LINKS	618-0624	
2	712-0417A	1	ECROU	FINISH:701-01000	
3	738-1010	1	AXE DE PALIER DE LAME	FINISH:GEÖLT	
4	741-0919	2	ROULEMENT DE PALIER DE LAME	C3	
5	748-0433	1	DOUILLE	FINISH:GEÖLT	
6	750-1000	2	ENTRETOISE	FINISH:GEÖLT	
7	756-1227	1	POULIE DE PALIER DE LAME	FINISH:SIEHE ZG.	

www.emc-motoculture.com

Spindle Assy. / Messerspindel vollst.

618-0609

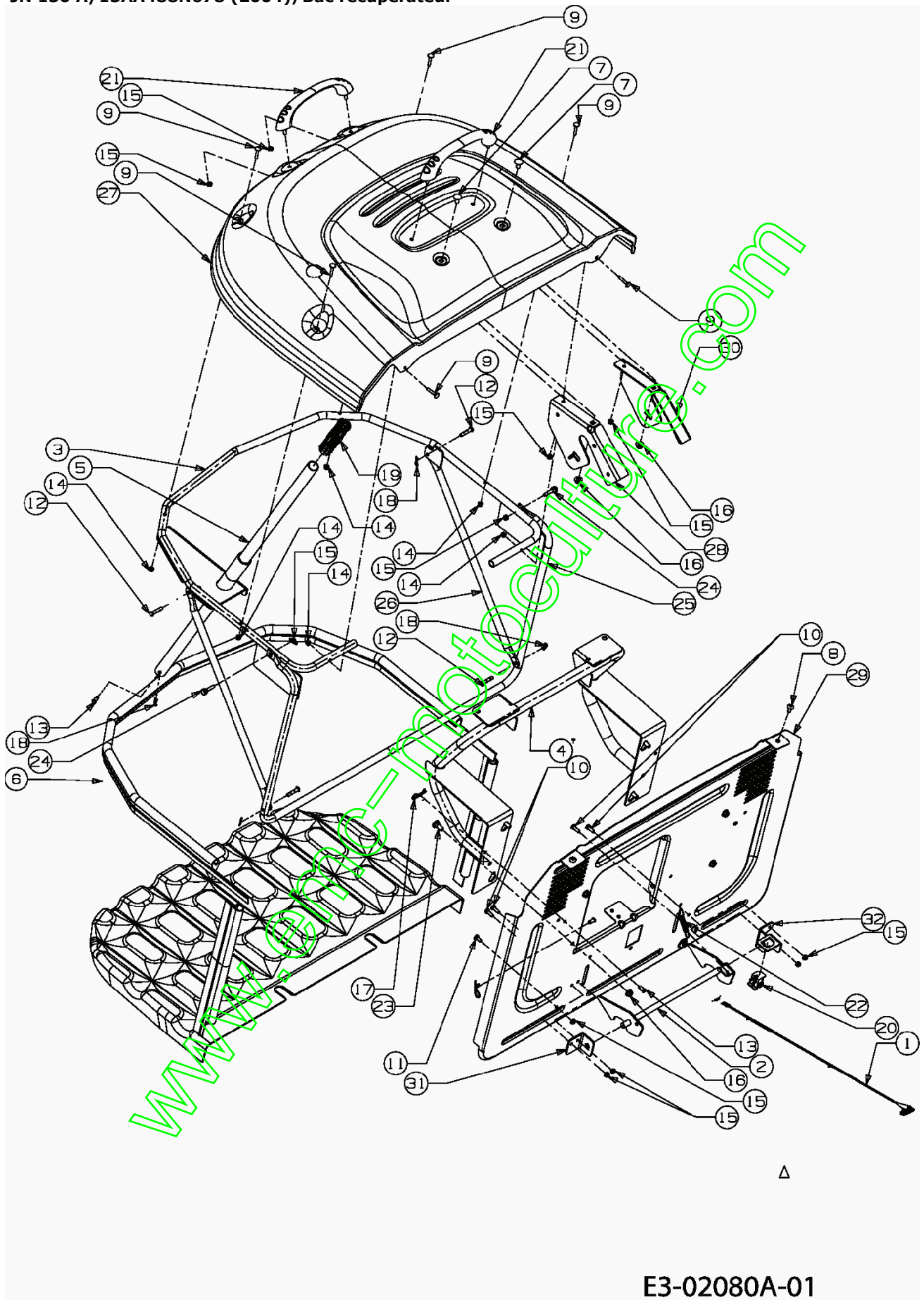


Axe de lame 618-0609

Position	Partnumber	Quantity	Designation	Standard	Additional
1	618-0609	1	PALIER LAME COMPLET GAUCHE	6.482 DIA X .5625	Droite-> Vers. une poulie tendeur! Gauche-> Vers. poulie et poulie tendeur
1A	618-04037	1	PALIER LAME COMPLET DROIT	6,3 DIA	Droite-> Vers. poulie et poulie tendeur!!
1B	618-04037	1	PALIER LAME COMPLET DROIT	6,3 DIA	Attention! Ref. 1B,3B,5B,7B Apeller le sav!
2	712-0417A	1	ECROU	FINISH:701-01000	
3	738-1128	1	AXE DE PALIER DE LAME	FINISH:EINGEÖLT	Droite-> Vers. une poulie tendeur! Gauche-> Vers. poulie et poulie tendeur
3A	738-1010	1	AXE DE PALIER DE LAME	FINISH:GEÖLT	Droite-> Vers. poulie et poulie tendeur!!
3B	738-1010	1	AXE DE PALIER DE LAME	FINISH:GEÖLT	Attention! Ref. 1B,3B,5B,7B Apeller le sav!
4	741-0919	2	ROULEMENT DE PALIER DE LAME	C3	
5	748-0434	1	DOUILLE	748-0434	Droite-> Vers. une poulie tendeur! Gauche-> Vers. poulie et poulie tendeur
5A	748-0433	1	DOUILLE	FINISH:GEÖLT	Droite-> Vers. poulie et poulie tendeur!!
5B	748-0434	1	DOUILLE	748-0434	Attention! Ref. 1B,3B,5B,7B Apeller le sav!
6	750-1000	3	ENTRETOISE	FINISH:GEÖLT	
7	756-1218	1	POULIE DE LAME DROITE	6.482 DIA X .5625 DIA	Droite-> Vers. une poulie tendeur! Gauche-> Vers. poulie et poulie tendeur
7A	756-1227	1	POULIE DE PALIER DE LAME	FINISH:SIEHE ZG.	Droite-> Vers. poulie et poulie tendeur!!
7B	756-1218	1	POULIE DE LAME DROITE	6.482 DIA X .5625 DIA	Attention! Ref. 1B,3B,5B,7B Apeller le sav!

www.emc-motoculture.com

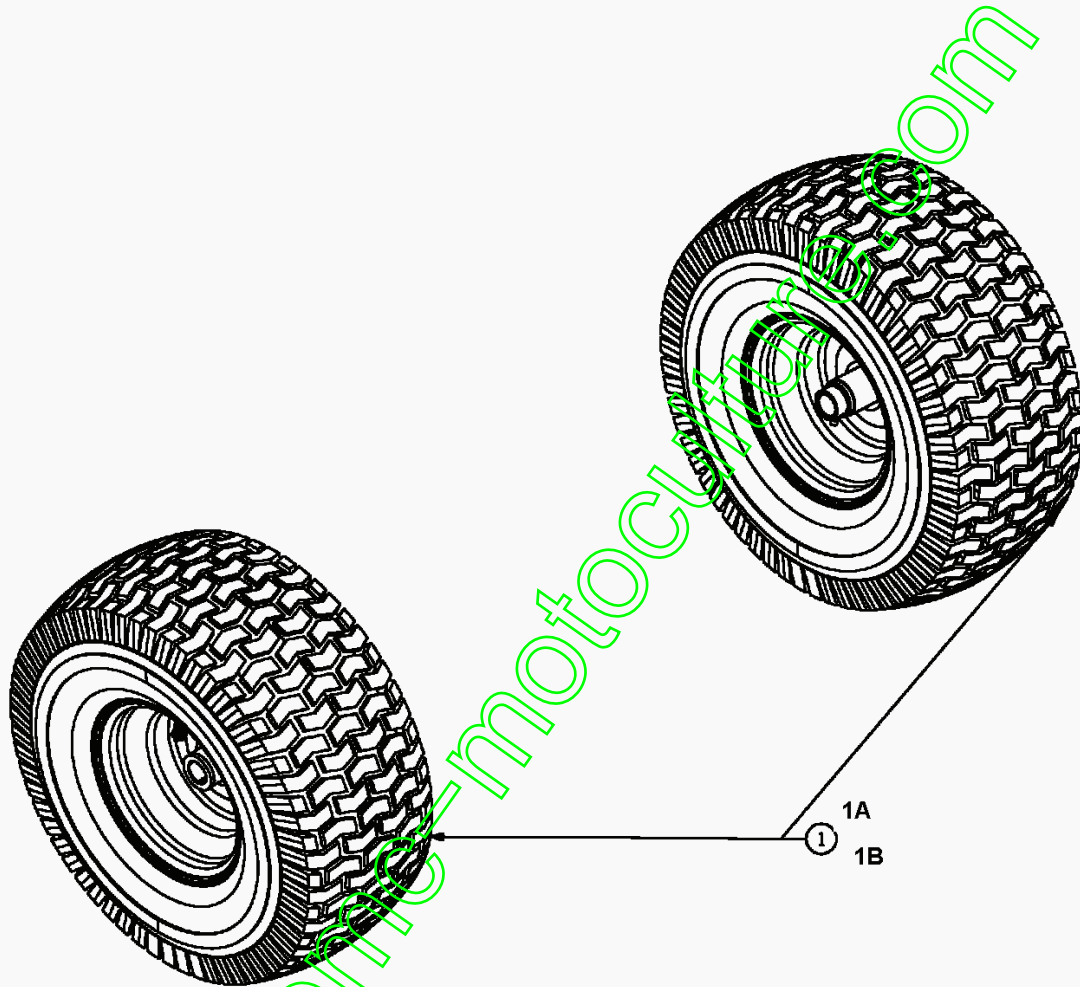
JN 150 A/13AA488N678 (2004)/Bac recuperateur



Bac recuperateur

Position	Partnumber	Quantity	Designation	Standard	Additional
1	629-1101A	1	FAISCEAU	PRESENT	
2	647-0063	1	FERMETURE AVEC LEVIER	BAG 250L/300L	
3	649-04009637	1	GRSBG 250L 500 MR SCHWEIßTEIL	GRSBG 250L 500 MR SCHWEIßTEIL	
4	649-04011637	1	GRASFANGS:250L500MR E-TEIL-SET	GRASFANGS:250L500MR E-TEIL-SET	
5	649-04015	1	SCHWEIßTEIL / SCHWARZ GEPULVER	SCHWEIßTEIL	
6	664-04026	1	TOILE DE BAC	WURF:250 L 500 MR SCHWARZ	
7	710-0260A	2	VIS	FINISH:701-01000	
8	710-1017	2	VIS	FINISH:MTD SPEC-100016	
9	710-1612	6	VIS	FINISH:Zn5gIcB 22.3419.03	
10	710-1690	4	VIS	MTD SPEC-100015 21.1441.46	
11	710-1691	1	VIS	FINISH:Zn5gIcB 21.1441.45	
12	711-04138	4	BOULON .25 DIA X1.25 LG	FINISH:SIEHE ZG.	
13	711-0701	5	CHEVILLE 25 X 50	FINISH:SIEHE ZG.	
14	712-0642	6	ECROU DE SECURITE	DIN 6926	
15	712-0691	11	ECROU	MTD SPEC-100015 24.1426.14	
16	712-3004A	6	ECROU	FINISH:701-01000	
17	714-0145	4	GOUPILLE	FINISH:PHOS & OIL	
18	714-04033	5	GOUPILLE.072X.92 LG	FINISH:PHOS & OIL	
19	720-0204	1	POIGNEE	FINISH:SCHWARZ	
20	725-3167	1	SECURITE DE BAC	FINISH:SCHWARZ 925-3167	
21	731-04578	2	POIGNEE AVEC VIS	500/500 MR SCHWARZ	
22	732-0264	1	RESSORT	FINISH:SIEHE ZG. 932-0264	
23	738-0140	4	AXE	FINISH:VERZINKT	
24	738-1183	2	VIS 9.5 mm X 5 mm M6-1X24 LG	FINISH:VERZINKT	
25	749-04101637	1	500 MR / SCHWARZ GEPULVERT	500 MR / SCHWARZ GEPULVERT	
26	749-04108	2	KREUZ-VERBINDUNGSROHR:BAG 250L	FINISH:LACKIERT 500 MR	
27	783-04153	1	CAPOT DE BAC	F564.033.00	
28	783-04349	1	EINHÄNGEKONSOLE RECHTS	250L 500 MR	
29	783-04378	1	TABLIER ARRIERE CHASSIS 450	500 MR SCHWARZ LACKIERT	
30	783-04427	1	EINHÄNGEKONSOLE:LH 250 L 500	MR	
31	783-1391	1	SCHARNIERWINKEL-RE. SPERRKLINK	GRASFANGSACK 250L/300L	
32	783-1392	1	SCHARNIERWINKEL-LI. SPERRKLINK	SCHALTER BAG 250L/300L	

www.emc-motocycle.com



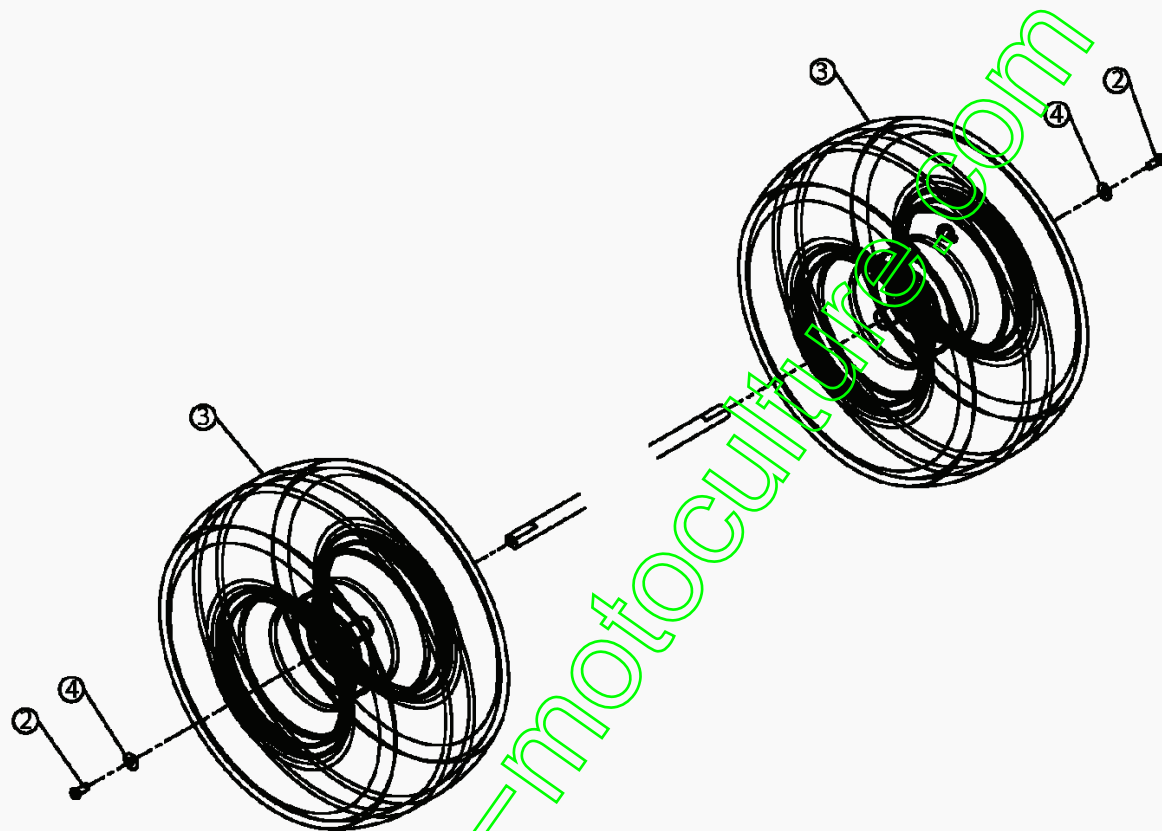
E3-02085A-01

Roue avant

Position	Partnumber	Quantity	Designation	Standard	Additional
1	634-04086662	2	ROUE COMPLETE	SQ SHL OYSTER-GRAY 788-0662	
1A	634-04086674	2	ROUE CPL 15X600 JAUNE Y-M	SQ SHL YARDMAN-YELLOW 788-0674	
1B	634-04086737	2	RAD VOLLST:KOMPL:15x6.0x6 SQ	SHL WEISS ALUMINIUM	

www.emc-motoculture.com

JN 150 A/13AA488N678 (2004)/Roue arrière



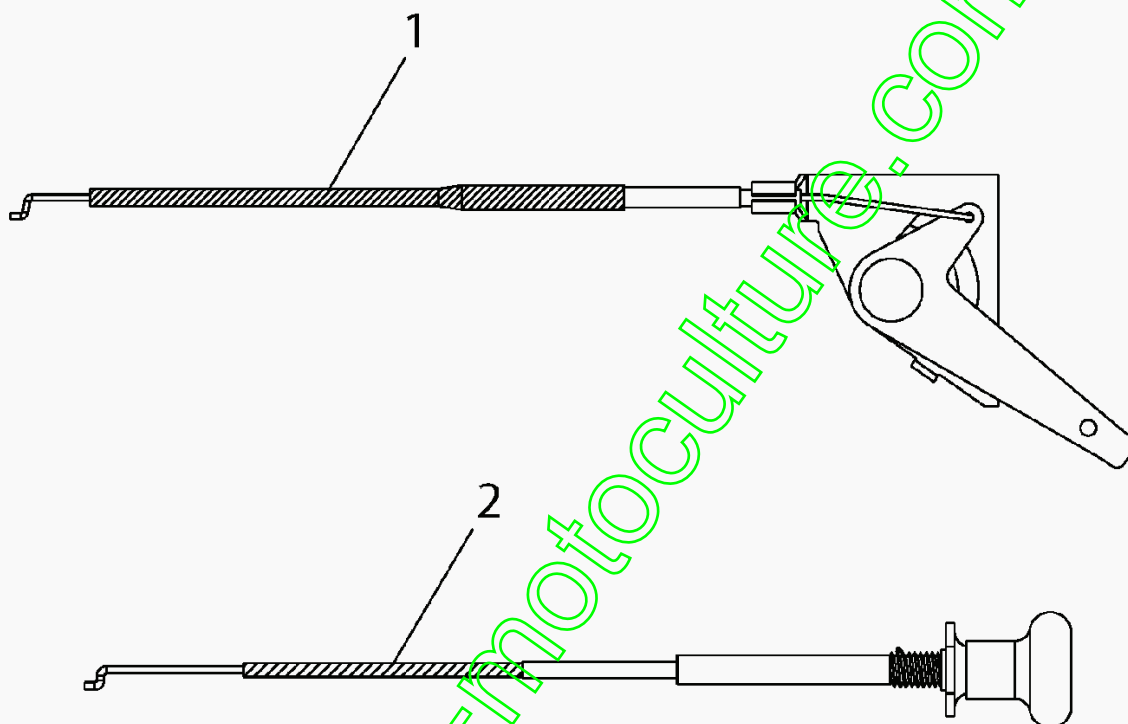
E3-02084A-01

Roue arrière

Position	Partnumber	Quantity	Designation	Standard	Additional
2	710-0627	2	VIS	FINISH:701-01000	
3	734-0817	2	ROUE COMPL 18X9,50-8 ST ELEC	734-0817-0662	
4	736-0242	2	RONDELLE	FINIS:701-01001	
5	634-0070	1	JANTE	FINISH:788-0499/674/0662	
6	734-0255	1	VALVE	934-0255	
7	734-0448	1	PNEU 18*950*8	734-0448-0901	

www.emc-motoculture.com

JN 150 A/13AA488N678 (2004)/Cables de commande

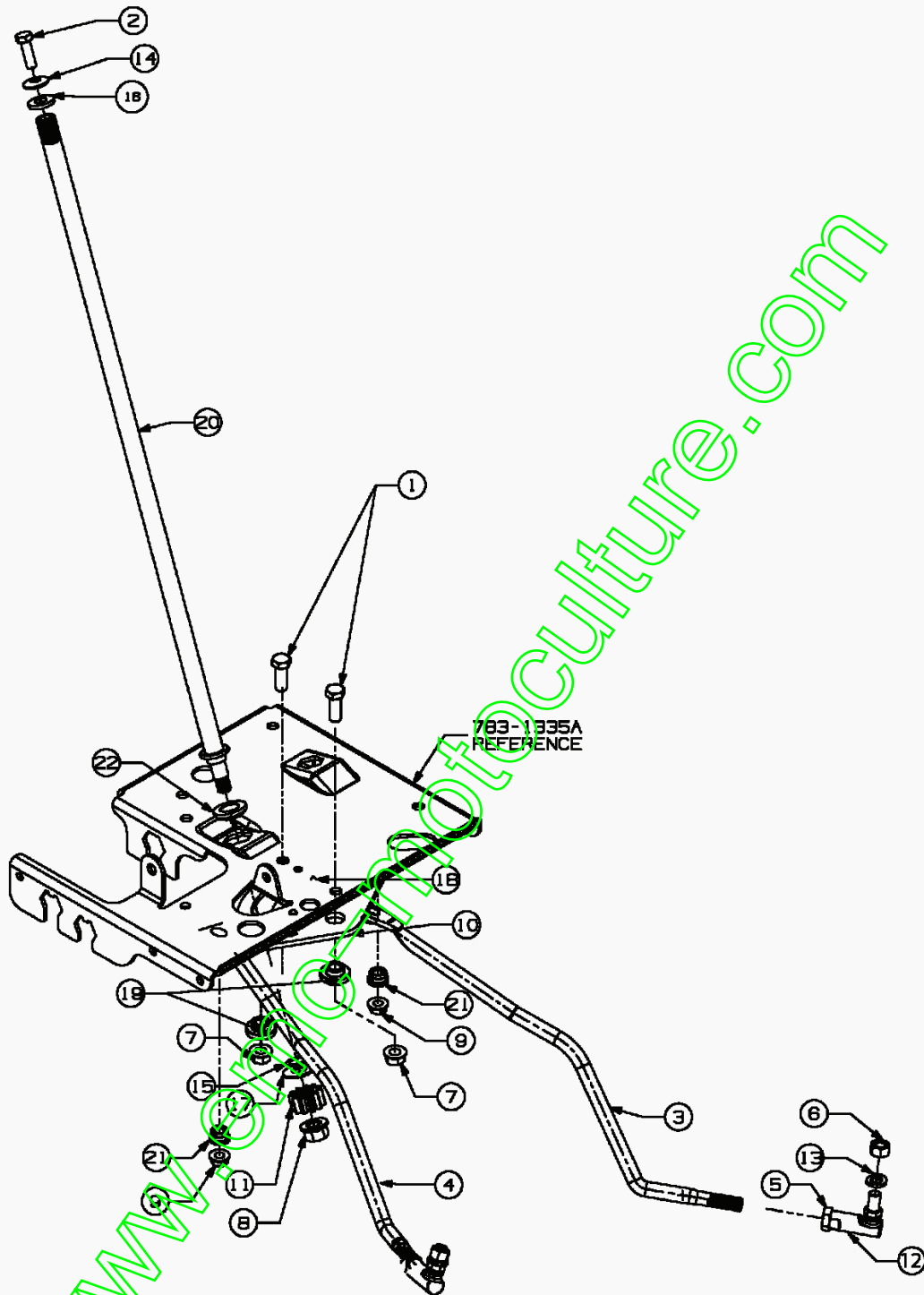


E3-02228A-01

Cables de commande

Position	Partnumber	Quantity	Designation	Standard	Additional
1	746-1087	1	CABLE ACCELERATEUR	EXT	
2	746-1088	1	CABLE STARTER KOLHER	23.0" LG x 1.50 EXT	

www.emc-motoculture.com



E3-02000A-01

Sys. Direction

Position	Partnumber	Quantity	Designation	Standard	Additional
1	710-0514	2	VIS	FINISH:MTD STD 701-01000	
2	710-0643	1	VIS	LOCTITE MICROVERKAPSELT	
3	711-1775A	1	TRINGLE DE REGLAGE GAUCHE	FINISH:SIEHE ZG.	
4	711-1776A	1	TRINGLE DE REGLAGE DROITE	FINISH:SIEHE ZG.	
5	712-0240	2	ECROU 7/16-20 : GR 2	FINISH:MTD STD 701-01000	
6	712-0241	2	ECROU	FINISH:701-01000	
7	712-0431	2	ECROU STOP 3/8-16	FINISH:MTD SPEC-100015	
8	712-0459	1	ECROU	LOCK FINISH:SIEHE ZG.	
9	712-3004A	2	ECROU	FINISH:701-01000	
10	717-1550E	1	SEGMENT DE DIRECTION		
11	717-1554	1	PIGNON DE DIRECTION	717-1554	
12	723-0448A	2	ROTULE DE DIRECTION 7/16-20	FINISH:GELBVERZINKT	
13	736-0169	2	RONDELLE 3/8"	FINISH:MTD SPEC-100016	
14	736-0242	1	RONDELLE	FINIS:701-01001	
15	736-0770	1	RONDELLE DIN 988	13X19X0.3 ST	
16	736-0231	1	RONDELLE 344IDX1.125 OD .12	736-0231	
17	736-3084	1	RONDELLE	FINISH:MTD STD 701-01001	
19	738-0372B	2	DOUILLE 1.00 X .38 X .38	FINISH:GEÖLT	
20	738-1001A	1	ARBRE DE DIRECTION	FINISH:701-01006 SIEHE ZG.	
21	741-0475	2	BAGUE PLASTIQUE	741-0475/941-0475	
22	741-0656	1	BAGUE		

www.emc-motoculture.com