

CASTELGARDEN

L 135BM (2013)

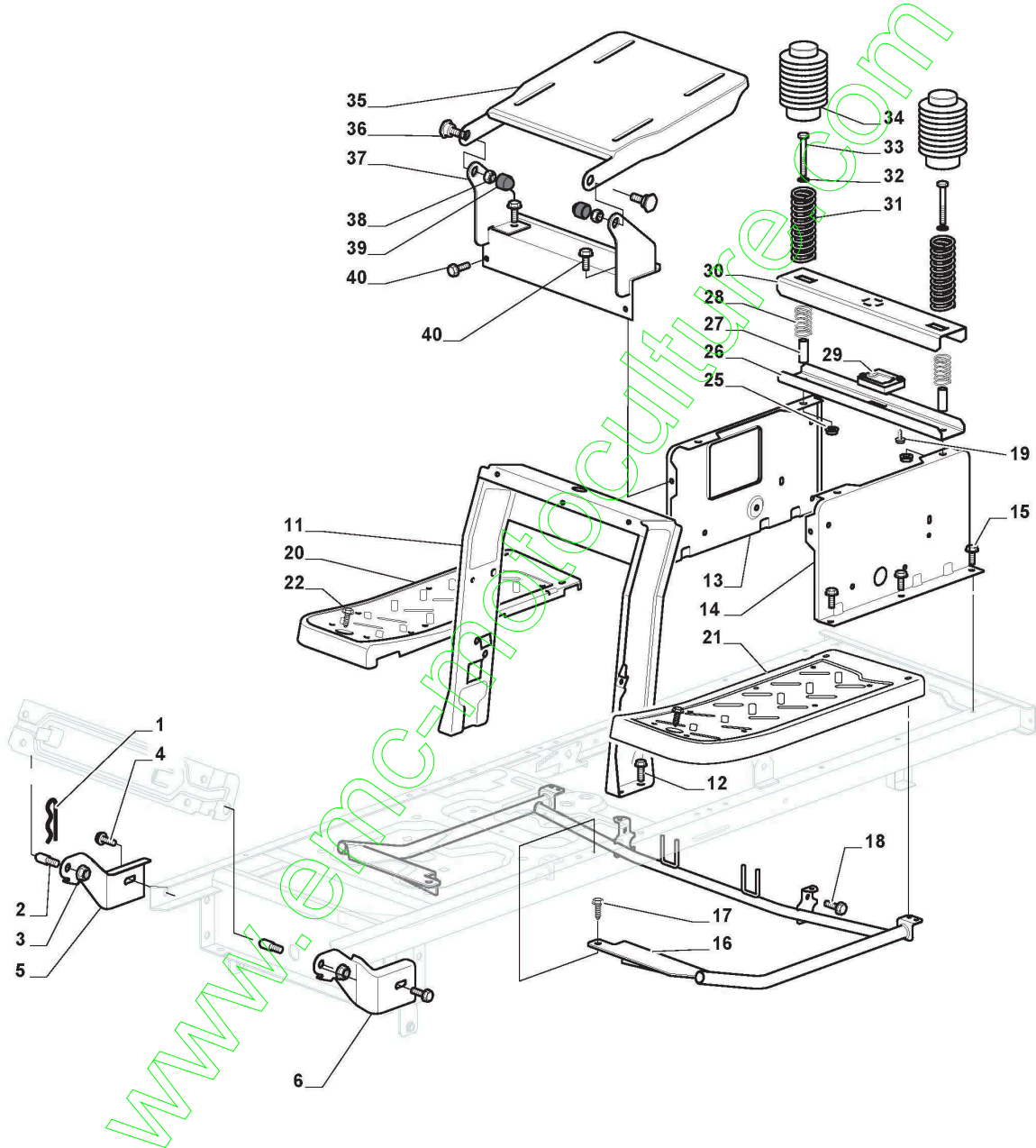
2T0521273/SBR

Spare parts list
Reservdelar
Repuestos
Ersatzteile
Pièces détachées
Reserve onderdelen
Catalogo ricambi

www.emc-motoculture.com

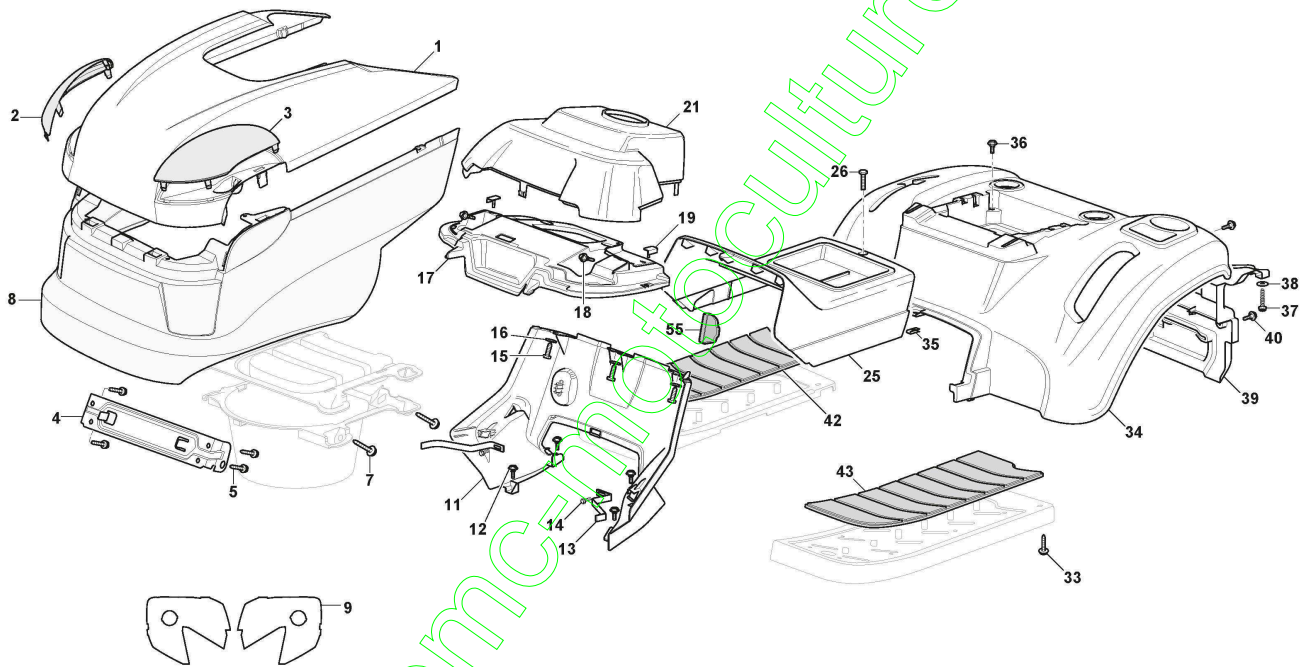
- Use ST. S.p.A. Genuine Spare Parts specified in the parts list for repair and/or replacement.
- The contents described in the parts list may change due to improvement.
- The drawings of the spare parts are only indicative And might Not represent the part in question exactly.
- The indications "right" - "left" - "front" - "rear" refer to the position of the operator when using the machine.
- When placing orders of parts for repair And/Or replacement, make sure that the illustrated parts list is the one applying to the machine's year of manufacture, as shown on the identification plate attached to the machine.

All rights reserved. No part Of this material may be reproduced Or transmitted, in any form Or by any means, electronic Or mechanical, including photocopying, recording Or by any information storage And retrieval system, without permission in writing from ST. S.p.A.



Chassis

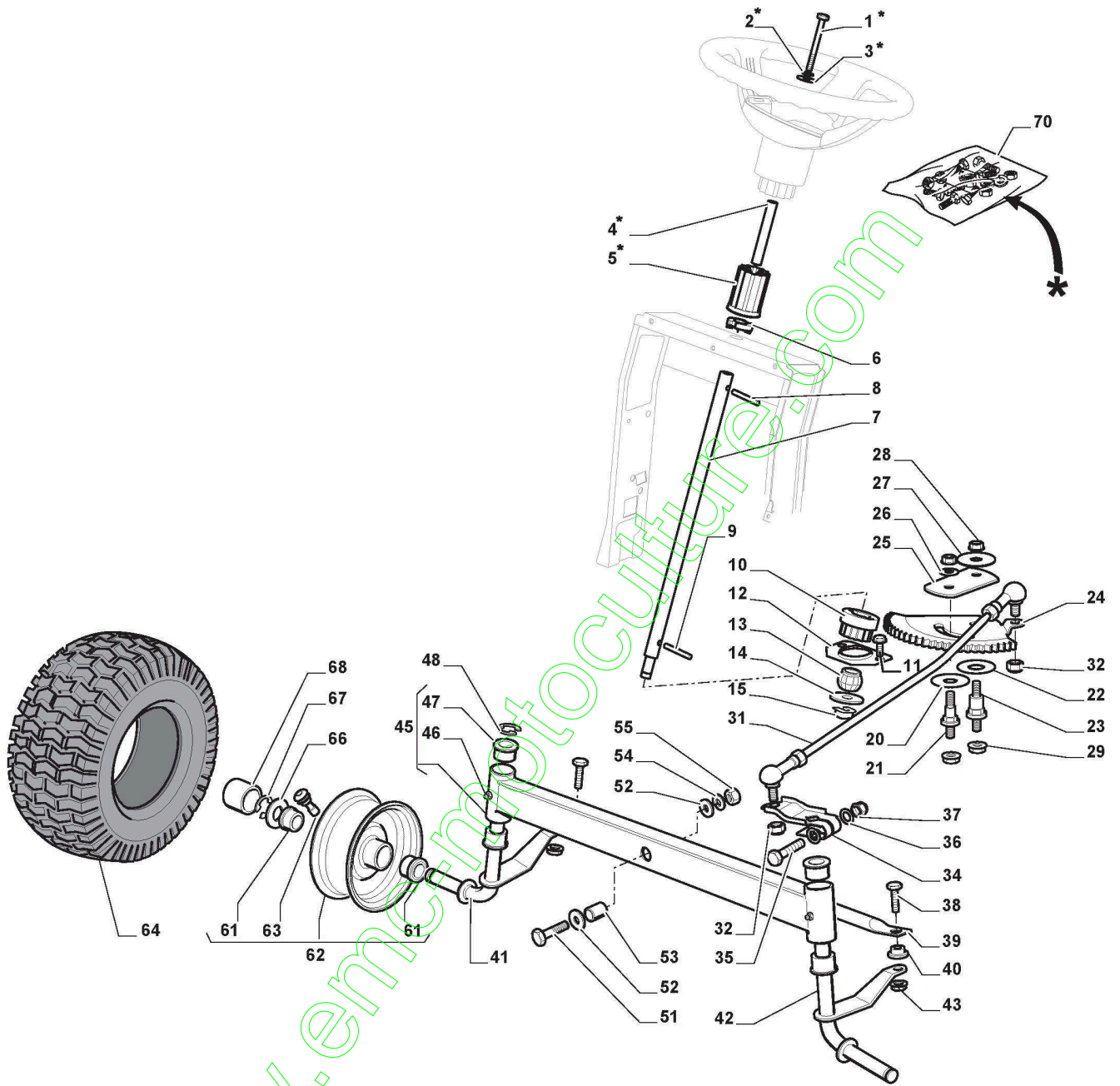
| Réf. N° | Q.té : | Code article | Description | Articles | De | Jusqu'à |
|---------|--------|--------------|---------------------------|----------------------------|--------------------------------|--------------------|
| 1 | 1 | 124487998/0 | Goupille | | | |
| 2 | 2 | 125510079/1 | Pivot | | | To S/N 19DA3RON |
| 2 | 2 | 125510169/0 | Pivot | | From S/N 19DA3RON 003315 | To 20EA3RON |
| 3 | 2 | 112154210/0 | Ecrou | | | |
| 3 | 2 | 112155000/0 | Ecrou | | From 01-Septem ber-2013 | |
| 4 | 2 | 112735599/0 | Vis | | | |
| 5 | 1 | 325547225/0 | Plaquette Droit | | | |
| 6 | 1 | 325547227/0 | Plaquette Gauche | | | |
| 11 | 1 | 382785169/1 | Support Tube De Direction | | | |
| 12 | 4 | 125943009/0 | Vis | | | |
| 13 | 1 | 325785331/1 | Support Siege Droit | | | |
| 14 | 1 | 325785333/1 | Support Siege Gauche | | | |
| 15 | 6 | 125943009/0 | Vis | | | |
| 16 | 1 | 382785179/0 | Support Marchepied | For Mechanical/Gear Models | | |
| 17 | 2 | 125943009/0 | Vis | | | |
| 18 | 2 | 125943009/0 | Vis | | | |
| 19 | 2 | 112728686/0 | Vis | | | |
| 20 | 1 | 325500041/1 | Marchepied Droit | | | |
| 21 | 1 | 325500043/1 | Marchepied Gauche | | | |
| 22 | 2 | 112735599/0 | Vis | | | |
| 25 | 2 | 112293201/0 | Ecrou | | | |
| 26 | 1 | 325820109/0 | Support Siege | | | |
| 26 | 1 | 325820109/1 | Support Siege | | | |
| 27 | 2 | 125160048/0 | Entretoise | | | |
| 28 | 2 | 125430263/0 | Ressort | | | |
| 29 | 1 | 325785379/0 | Support | | | To 20EA3RON |
| 29 | 1 | 325785379/1 | Support | | From 01-Septem ber-2013 | |
| 30 | 1 | 325820111/1 | Switch Comand Cross | | | |
| 31 | 2 | 125430264/0 | Ressort | | | |
| 32 | 2 | 112521350/0 | Rondelle | | | |
| 33 | 2 | 112691400/0 | Vis | | | |
| 34 | 2 | 325122002/0 | Protecteur | | | |
| 35 | 1 | 382547061/0 | Plaquette | | | |
| 36 | 2 | 122524970/2 | Pivot | | | To 20EA3RON |
| 36 | 2 | 122524970/3 | Goupille | | From 01-Septem ber-2014 | To S/N 20EA3RON |
| 37 | 1 | 382820151/0 | Support Siege | | | |
| 37 | 1 | 382820151/1 | Support Siege | | From S/N 20EA3RON 000612 | |
| 38 | 2 | 112155010/0 | Ecrou | | | |
| 39 | 2 | 118203854/0 | Capot | | | |
| 40 | 4 | 125943009/0 | Vis | | | |



www.emcnetculture.com

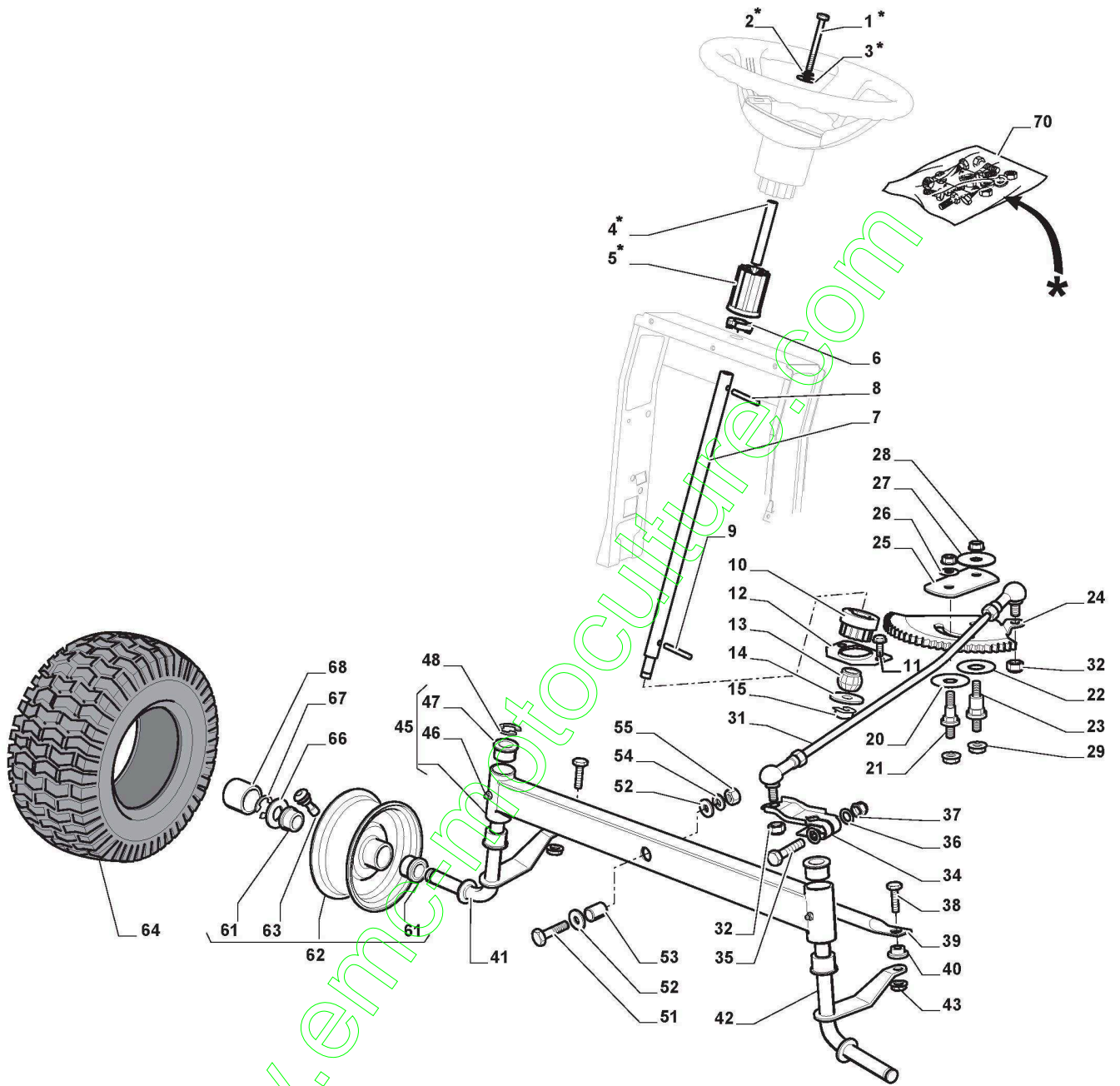
Carrosserie

| Réf. N° | Q.té : | Code article | Description | Articles | De | Jusqu'à |
|---------|--------|--------------|----------------------------|---|-----------|----------------|
| 1 | 1 | 325076910/0 | Capot Superieure Rouge | | | To |
| 1 | 1 | 325076910/1 | Capot Superieure Rouge | | From | 31-August-2016 |
| 2 | 1 | 325410901/0 | Panneau Droit | | | |
| 3 | 1 | 325410902/0 | Panneau Gauche | | | |
| 4 | 1 | 325785365/0 | Support Capot | | | |
| 5 | 4 | 112735403/0 | Vis | | | |
| 7 | 4 | 112728692/0 | Vis | | | |
| 8 | 1 | 325076911/0 | Capot Inferieure | | | To |
| 8 | 1 | 325076911/1 | Capot Inferieure | | From | |
| 9 | 2 | 114363452/0 | Autocollant Parabole Phare | | 01-Septem | ber-2013 |
| 9 | 1 | 114365476/1 | Autocollant Parabole Phare | | | |
| 11 | 1 | 325785298/0 | Support Tableau Comm. | | | |
| 12 | 4 | 125943010/0 | Vis | | | |
| 13 | 2 | 325270325/0 | Guide | | | |
| 14 | 2 | 112735599/0 | Vis | | | |
| 15 | 3 | 112735406/0 | Vis | | | |
| 16 | 3 | 112523040/0 | Rondelle | | | |
| 17 | 1 | 325120202/1 | Console | | | To |
| 17 | 1 | 325120209/0 | Console | | From | To |
| 17 | 1 | 325120259/0 | Console | | 01-Septem | 31-August- |
| 17 | 1 | 325120259/1 | Console | | ber-2011 | 2014 |
| 17 | 1 | 325120259/2 | Console | | From | To |
| 18 | 2 | 125943010/0 | Vis | | 01-Septem | 31-August- |
| 19 | 2 | 325260003/0 | Caoutchouc | | ber-2015 | 2017 |
| 21 | 1 | 325120203/0 | Couverture de tableau | | | |
| 25 | 1 | 325110383/1 | Couvre, Rouge | | | To |
| 25 | 1 | 325110383/2 | Couvre, Rouge | | From | |
| 26 | 1 | 125943010/0 | Vis | | 01-Septem | ber-2016 |
| 33 | 4 | 112735406/0 | Vis | | | |
| 34 | 1 | 325110382/0 | Couvre Roues Rouge | | | To |
| 34 | 1 | 325110382/1 | Couvre Roues Rouge | | From | |
| 35 | 1 | 112437506/0 | Plaquette | | 01-Septem | ber-2016 |
| 36 | 2 | 125943010/0 | Vis | | | |
| 37 | 2 | 112735406/0 | Vis | | | |
| 38 | 2 | 112523040/0 | Rondelle | | | |
| 39 | 1 | 325547208/1 | Plaque Arriere | | | To |
| 39 | 1 | 325547208/2 | Plaque Arriere | | From | |
| 40 | 2 | 125943010/0 | Vis | | 01-Septem | ber-2013 |
| 42 | 1 | 325110384/0 | Couvre Marchepied Droit | As Optional - Not present on all assortment | | |
| 43 | 1 | 325110385/0 | Couvre Marchepied Gauche | As Optional - Not present on all assortment | | |
| 55 | 1 | 325207191/0 | Plaquette | Not needed for Hydro Model | | |



Barre De Direction

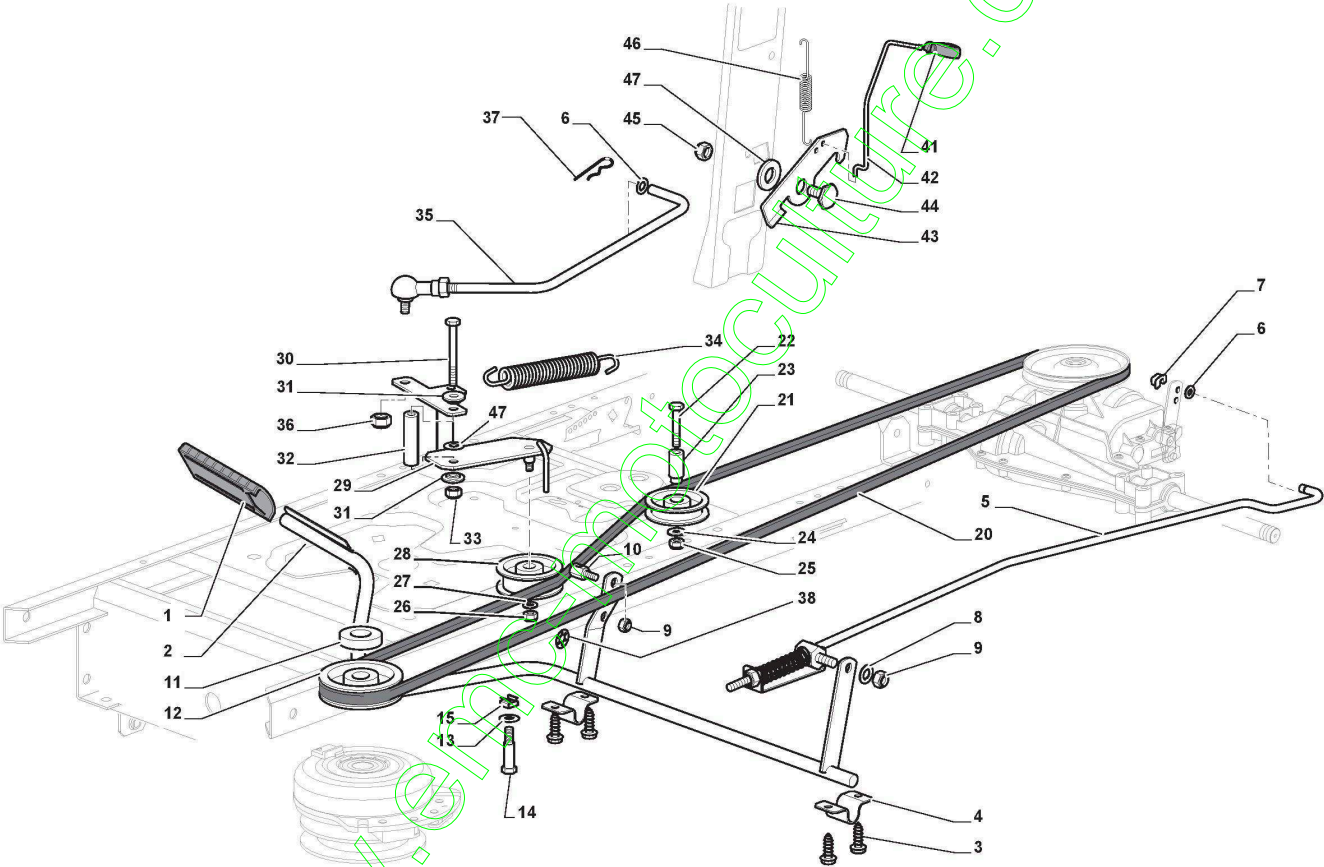
| Réf. N° | Q.té : | Code article | Description | Articles | De | Jusqu'à |
|---------|--------|--------------|-------------------------------------|----------|-------------------------------|---------|
| 1 | 1 | 112692050/0 | Vis | | | |
| 2 | 1 | 112540260/0 | Rondelle | | | |
| 3 | 1 | 112523070/0 | Rondelle | | | |
| 4 | 1 | 125160047/0 | Entretoise | | | |
| 5 | 1 | 325785318/0 | Support | | | |
| 6 | 1 | 325038008/0 | Douille | | | |
| 7 | 1 | 125520007/0 | Tube De Direction | | | |
| 8 | 1 | 112620300/0 | Ressort | | | |
| 9 | 1 | 112622650/0 | Goupille | | | |
| 10 | 1 | 125570003/0 | Pignon | | | |
| 11 | 2 | 127943051/0 | Vis | | | |
| 12 | 1 | 325785213/1 | Support | | | |
| 13 | 1 | 325743000/0 | Joint | | | |
| 14 | 1 | 112521370/0 | Rondelle | | | |
| 15 | 1 | 112436030/0 | Plaquette | | | |
| 20 | 1 | 322672151/0 | Rondelle Antifriction | | | |
| 21 | 1 | 125510104/0 | Pivot | | | |
| 22 | 1 | 125670023/0 | Rondelle | | | |
| 23 | 1 | 125510109/0 | Pivot | | | |
| 24 | 1 | 325735519/0 | Secteur Direction | | | |
| 25 | 1 | 325547233/0 | Plaquette | | | |
| 26 | 1 | 112369500/0 | Disque Elastique | | | |
| 27 | 1 | 122160400/0 | Disque Elastique | | | |
| 28 | 2 | 112155010/0 | Ecrou | | | |
| 29 | 2 | 112154210/0 | Ecrou | | | |
| 31 | 1 | 382000566/1 | Barre De Direction | | | |
| 32 | 2 | 112156602/0 | Ecrou | | | |
| 34 | 1 | 325318243/0 | Levier | | | |
| 35 | 1 | 112692390/0 | Vis | | | |
| 36 | 2 | 112521360/0 | Rondelle | | | |
| 37 | 1 | 112156602/0 | Ecrou | | | |
| 38 | 2 | 125510103/0 | Pivot | | | |
| 39 | 1 | 325840029/0 | Tirant | | | |
| 40 | 2 | 325038007/0 | Douille | | | |
| 41 | 1 | 382230373/0 | Fuseau Droit | | | |
| 42 | 1 | 382230375/0 | Fuseau Gauche | | | |
| 43 | 2 | 112155000/0 | Ecrou | | | |
| 45 | 1 | 382034030/0 | Balancier Avec Douille Et Graisseur | | | |
| 46 | 2 | 112379511/0 | Graisseur | | | |
| 47 | 4 | 125034002/1 | Douille | | | |
| 48 | 1 | 112001010/0 | Anneau Benzing | | | |
| 51 | 1 | 112692695/0 | Vis | | | |
| 52 | 2 | 112523100/0 | Rondelle | | | |
| 53 | 1 | 125160016/0 | Entretoise | | | To |
| 53 | 1 | 125160016/1 | Entretoise | | From 01-Septem ber-2013 | |
| 54 | 1 | 112587100/0 | Grower | | | |
| 55 | 1 | 112295300/0 | Ecrou | | | |
| 61 | 4 | 125122200/2 | Roulement | | | |



Barre De Direction

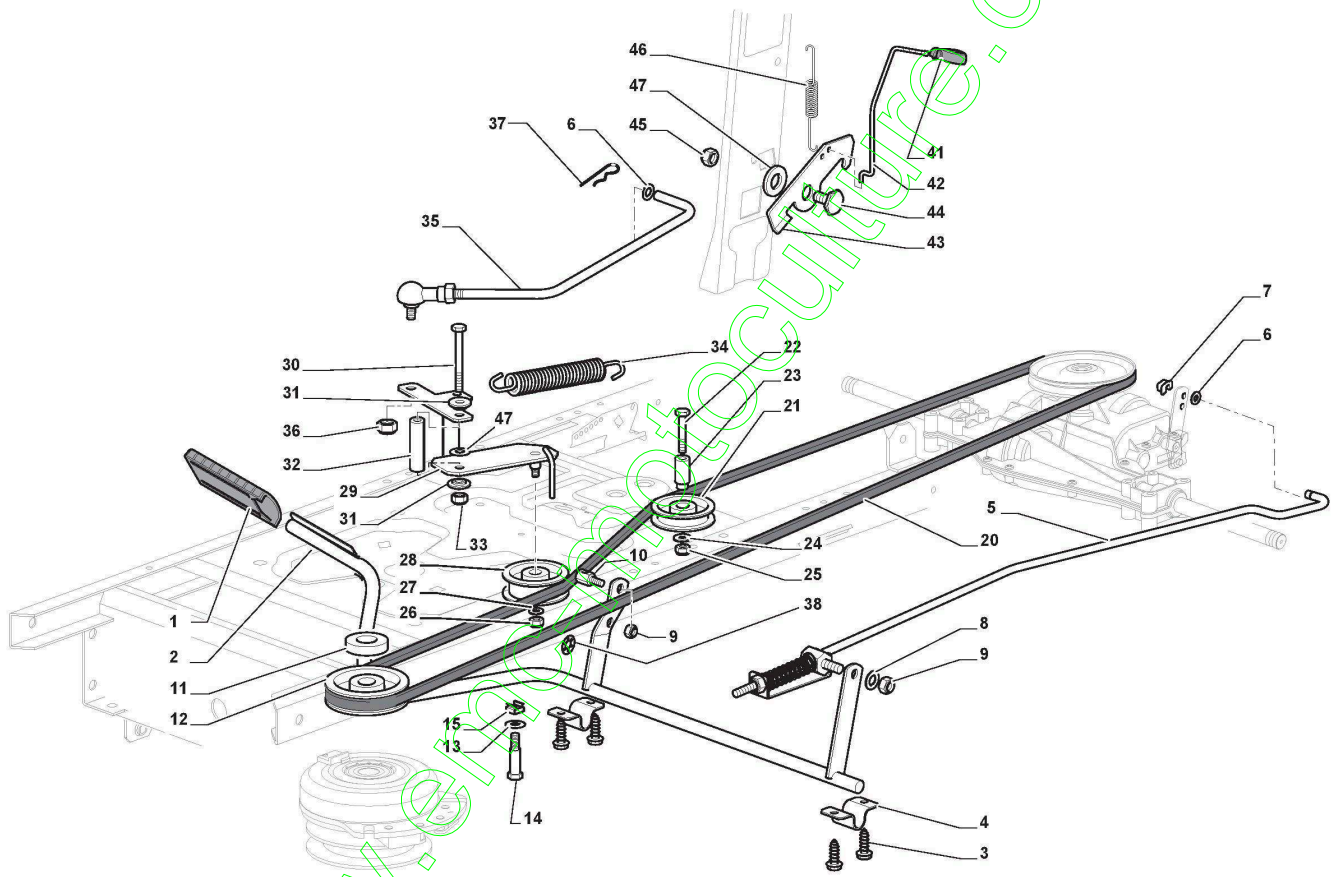
| Réf. N° | Q.té : | Code article | Description | Articles | De | Jusqu'à |
|---------|--------|--------------|---------------------------|--------------------|---------------------------|----------------|
| 62 | 2 | 182000598/0 | Bandage Roue | | | |
| 63 | 2 | 125950000/0 | Vanne | | | |
| 64 | 2 | 125590019/0 | Pneu 15x6.00-6 P512 WANDA | For other ST Brand | From 01-September-2016 | To |
| 64 | 2 | 127590066/0 | Pneu 15x6.00-6 WANDA | For other ST Brand | | To |
| 66 | 2 | 125670005/1 | Rondelle | | | To |
| 66 | 2 | 125670005/2 | Rondelle | | From | 31-August-2014 |
| 67 | 2 | 112001010/0 | Anneau Benzing | | | |
| 68 | 2 | 322110233/0 | Couvre Moyeu | | | |
| 70 | 1 | 382180124/0 | Dotation Visserie | | | |

www.emc-motoculture.com



Commande Frein Et Boite De Vitesse

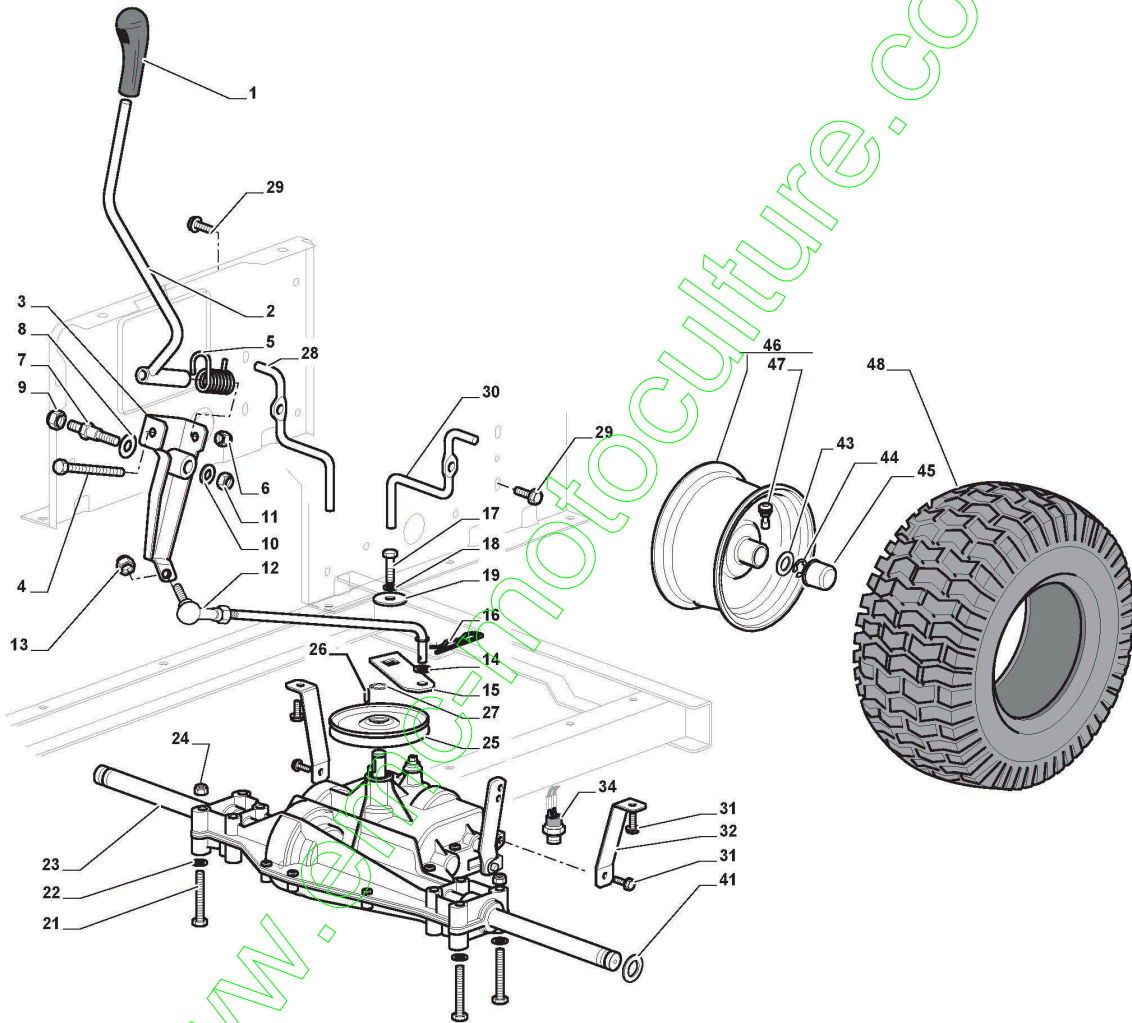
| Réf. N° | Q.té : | Code article | Description | Articles | De | Jusqu'à |
|---------|--------|--------------|----------------------------|------------------|----------------------------|--------------------------|
| 1 | 1 | 325110391/0 | Couvre Etrier | | | |
| 2 | 1 | 382500047/0 | Pedal | | | To S/N 00000000 |
| 2 | 1 | 382500047/1 | Pedal | | From S/N 00088627 | |
| 3 | 4 | 112735599/0 | Vis | | | |
| 4 | 2 | 325547231/0 | Plaquette | | | |
| 5 | 1 | 382000568/0 | Tige | | | |
| 6 | 2 | 112521350/0 | Rondelle | | | |
| 7 | 1 | 112436050/0 | Plaquette | | | |
| 8 | 1 | 325670011/0 | Rondelle Antifricion | | | |
| 9 | 1 | 112155000/0 | Ecrou | | | |
| 10 | 1 | 125510116/0 | Pivot | | | |
| 11 | 1 | 125160021/0 | Entretoise | | | |
| 12 | 1 | 125601567/0 | Poulie | | | |
| 13 | 2 | 112524010/0 | Rondelle | | | |
| 14 | 2 | 125580030/0 | Cheville Guide De Courroie | | | |
| 15 | 2 | 112360425/0 | Ecrou | | | |
| 20 | 1 | 135062014/0 | Courroie | | | |
| 21 | 1 | 125601555/0 | Poulie | Bearing hole ø16 | | To 01-Septem-2013 |
| 21 | 1 | 325601599/0 | Poulie | Bearing hole ø15 | From 01-Septem-ber-2013 | |
| 22 | 1 | 112691400/0 | Vis | | | |
| 23 | 1 | 125160051/0 | Entretoise | | | To S/N 00088193 |
| 23 | 1 | 125160083/0 | Entretoise | | S/N 00000000 | |
| 24 | 1 | 112523060/0 | Rondelle | | | |
| 25 | 1 | 112155000/0 | Ecrou | | | |
| 26 | 1 | 112155000/0 | Ecrou | | | |
| 27 | 1 | 112523060/0 | Rondelle | | | |
| 28 | 1 | 125601554/0 | Poulie | | | |
| 29 | 1 | 382318283/0 | Levier | | | |
| 30 | 1 | 112691600/0 | Vis | | | |
| 31 | 2 | 125038002/1 | Douille | | | To 01-Septem-ber-2016 |
| 31 | 2 | 125038021/0 | Douille | | From 01-Septem-ber-2016 | |
| 32 | 1 | 125160027/0 | Entretoise | | | |
| 33 | 1 | 112155000/0 | Ecrou | | | |
| 34 | 1 | 125430262/0 | Ressort | | | |
| 35 | 1 | 382820016/1 | Ens. Tirant | | | |
| 36 | 1 | 112293201/0 | Ecrou | | | |
| 37 | 1 | 112521350/0 | Rondelle | | | To 31-August-2013 |
| 37 | 1 | 124487997/0 | Goupille | | From 01-Septem-ber-2013 | |
| 38 | 1 | 112604899/0 | Fixateur A Couronne | | | |
| 41 | 1 | 125394509/1 | Poignée | | From 01-Septem-ber-2013 | |
| 41 | 1 | 325394534/0 | Poignée | | | To 31-August-2013 |
| 42 | 1 | 125033083/0 | Tige | | | |
| 42 | 1 | 125033113/0 | Tige | | From 01-Septem-ber-2013 | |
| 43 | 1 | 325253011/1 | Accrochage | | | |
| 44 | 1 | 122524970/2 | Pivot | | | To 31-August-2014 |
| 44 | 1 | 122524970/3 | Goupille | | From 01-Septem-ber-2014 | |
| 45 | 1 | 112155000/0 | Ecrou | | | |
| 46 | 1 | 125430213/0 | Ressort | | | |



Commande Frein Et Boite De Vitesse

| Réf. N° | Q.té : | Code article | Description | Articles | De | Jusqu'à |
|---------|--------|--------------|-------------|----------|----|---------|
| 47 | 1 | 112523060/0 | Rondelle | | | |

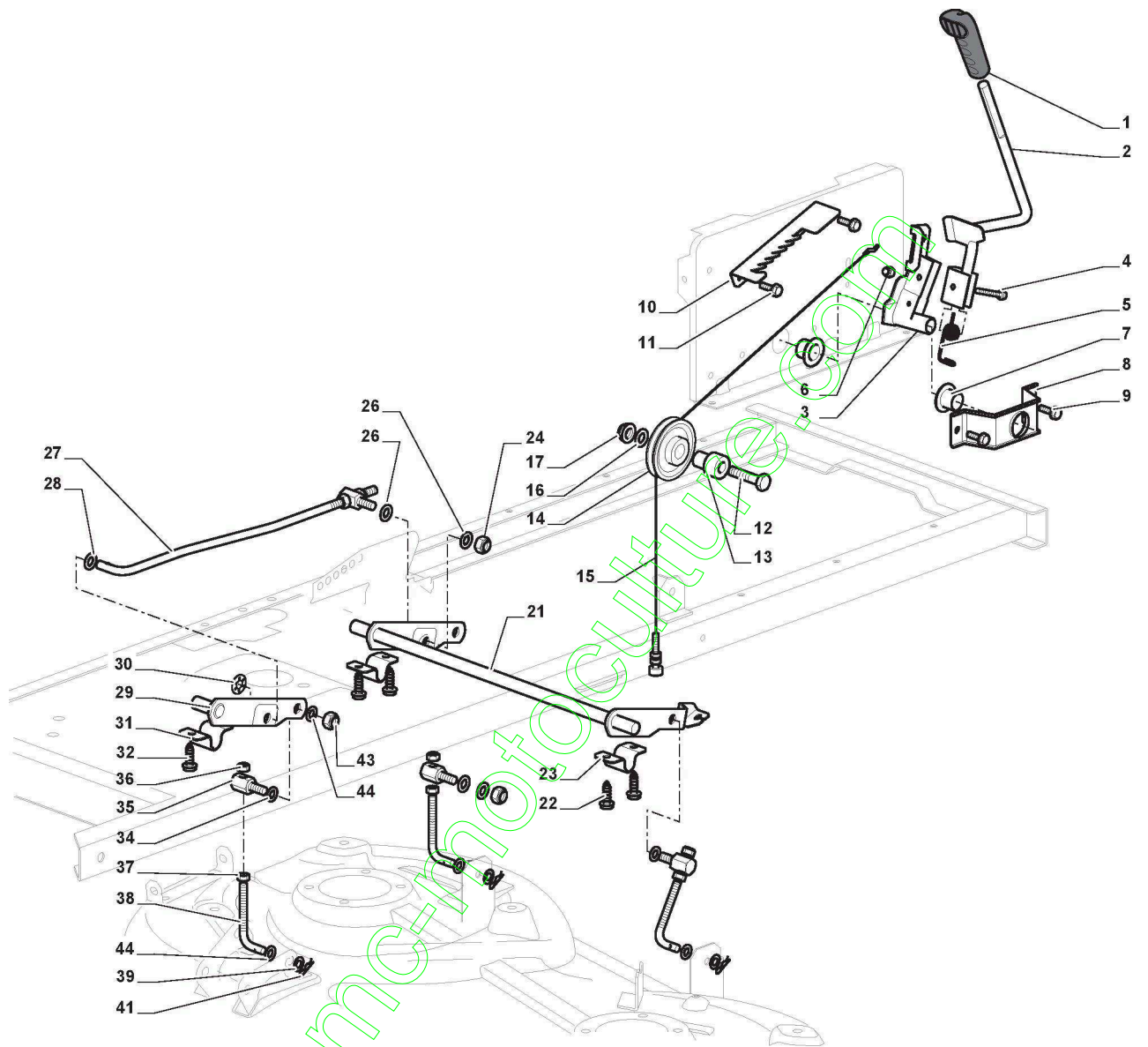
www.emc-motoculture.com



www.motoculture.com

Transmission

| Réf. N° | Q.té : | Code article | Description | Articles | De | Jusqu'à |
|---------|--------|--------------|--------------------------------------|----------------------|----|---------|
| 1 | 1 | 325394532/0 | Poignée | | | |
| 2 | 1 | 382318233/0 | Levier | | | |
| 3 | 1 | 382774259/0 | Etrier | | | |
| 4 | 1 | 112692050/0 | Vis | | | |
| 5 | 1 | 125430226/0 | Ressort | | | |
| 6 | 1 | 112155000/0 | Ecrou | | | |
| 7 | 1 | 125510035/0 | Pivot | | | |
| 8 | 1 | 322672151/0 | Rondelle Antifriction | | | |
| 9 | 1 | 112293201/0 | Ecrou | | | |
| 10 | 1 | 112523060/0 | Rondelle | | | |
| 11 | 1 | 112155010/0 | Ecrou | | | |
| 12 | 1 | 382000567/0 | Ens. Tige de liaison de transmission | | | |
| 13 | 1 | 112154210/0 | Ecrou | | | |
| 14 | 1 | 112521340/0 | Rondelle | | | |
| 15 | 1 | 325318235/0 | Levier | | | |
| 16 | 1 | 112141418/0 | Goupille | | | |
| 17 | 1 | 112735520/0 | Vis | | | |
| 18 | 1 | 112540040/0 | Rondelle | | | |
| 19 | 1 | 322680009/0 | Rondelle | | | |
| 21 | 4 | 112691600/0 | Vis | | | |
| 22 | 4 | 112521350/0 | Rondelle | | | |
| 23 | 1 | 118400910/2 | Transmission MST 205-535G | | | |
| 24 | 4 | 112155000/0 | Ecrou | | | |
| 25 | 1 | 182601509/0 | Poulie | | | |
| 26 | 1 | 112139430/0 | Languette | | | |
| 27 | 1 | 112608950/0 | Seeger | | | |
| 28 | 1 | 125270329/0 | Guide Curroire | | | |
| 29 | 2 | 112735599/0 | Vis | | | |
| 30 | 1 | 125270330/0 | Guide Curroire | | | |
| 31 | 4 | 125943009/0 | Vis | | | |
| 32 | 2 | 325785315/0 | Support | | | |
| 34 | 1 | 119410608/1 | Micro. Point Mort (Mec.) | | | |
| 41 | 2 | 125670005/2 | Rondelle | | | |
| 43 | 6 | 125670005/1 | Rondelle | | | |
| 44 | 2 | 112001010/0 | Anneau Benzing | | | |
| 45 | 2 | 322110233/0 | Couvre-Moyeu | Standard Black Cover | | |
| 46 | 2 | 382000597/0 | Bandage Roue Arriere | | | |
| 47 | 2 | 125950000/0 | Vanne | | | |

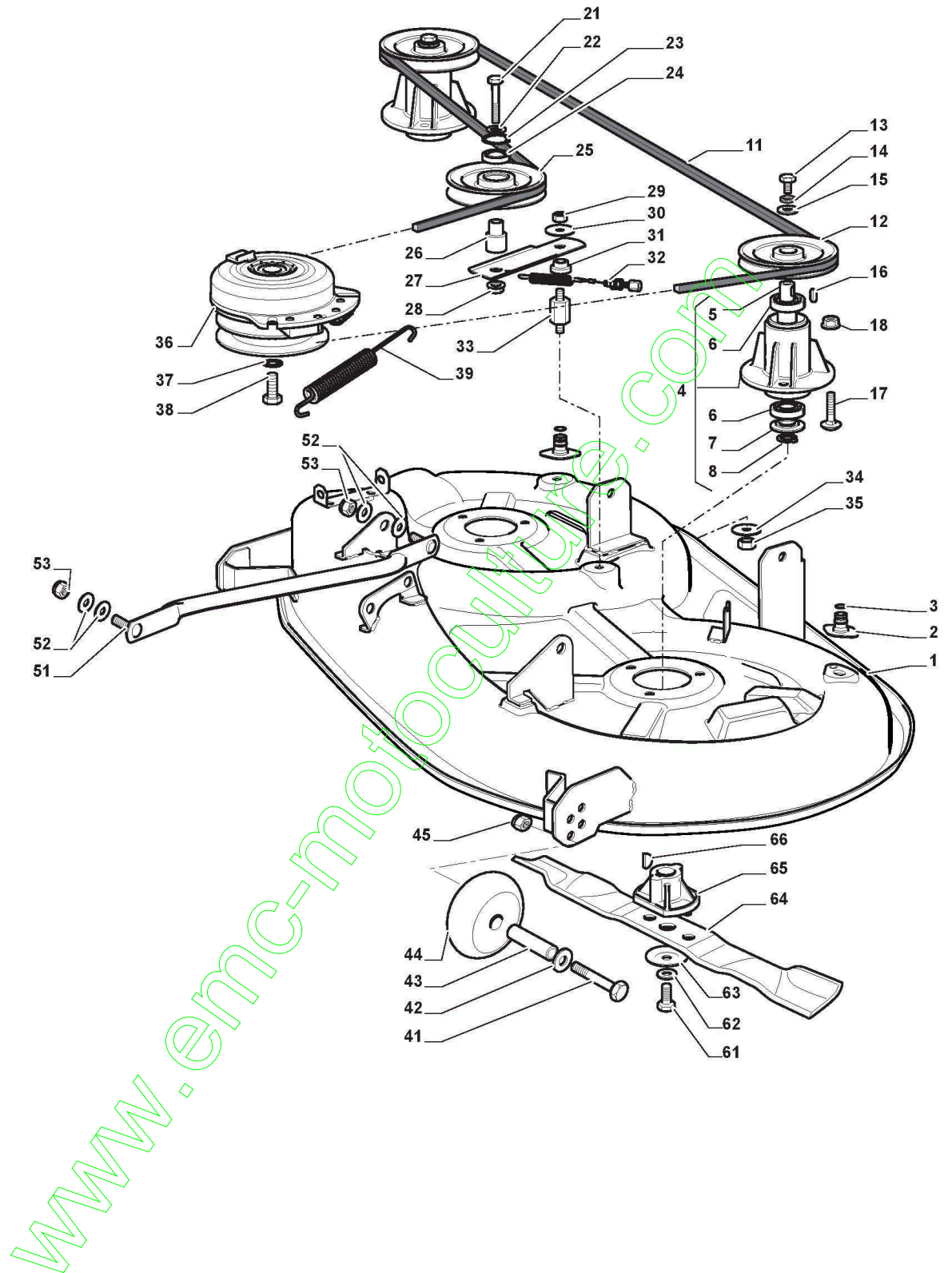


www.encyclopédie.com

Soulevement Plateau De Coupe

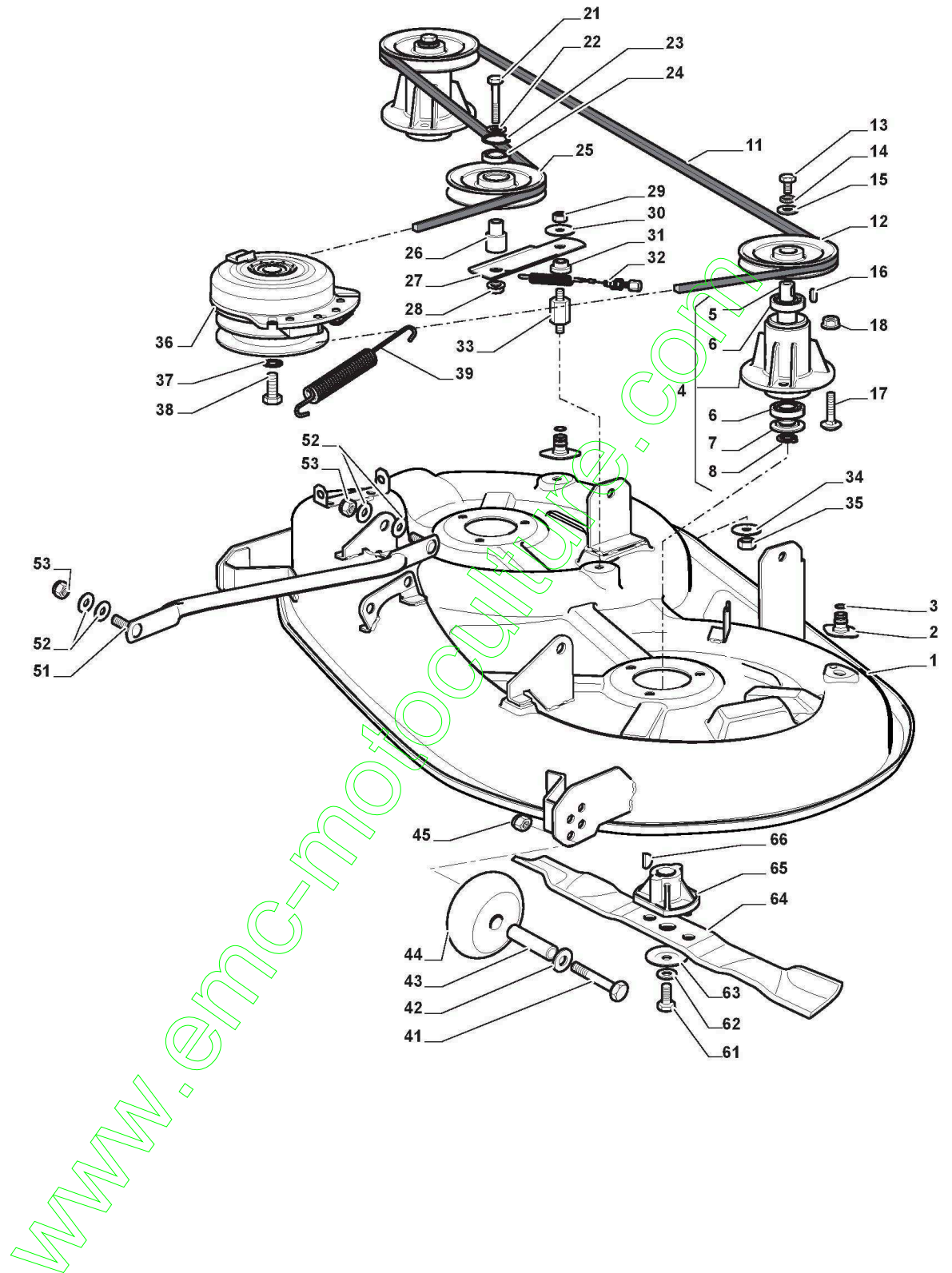
| Réf. N° | Q.té : | Code article | Description | Articles | De | Jusqu'à |
|---------|--------|--------------|-----------------------|--|-------------------|--------------------------|
| 1 | 1 | 325394533/0 | Poignée | | | |
| 2 | 1 | 382318229/0 | Levier | | | |
| 3 | 1 | 382318231/0 | Axe | | | |
| 4 | 1 | 112674700/0 | Vis | | | |
| 5 | 1 | 125430261/0 | Ressort | | | |
| 6 | 1 | 112154510/0 | Ecrou | | | |
| 7 | 2 | 325038006/0 | Douille | | | |
| 8 | 1 | 325785297/0 | Support | | | |
| 9 | 2 | 125943009/0 | Vis | | | |
| 10 | 1 | 325735515/0 | Secteur Direction | | | |
| 11 | 2 | 125943009/0 | Vis | | | |
| 12 | 1 | 112793701/0 | Vis | | | |
| 13 | 1 | 125040636/0 | Douille | | | |
| 14 | 1 | 125601579/0 | Poulie | | | |
| 15 | 1 | 382004620/0 | Fil | | | |
| 16 | 1 | 112523060/0 | Rondelle | | | |
| 17 | 1 | 112293201/0 | Ecrou | | | |
| 21 | 1 | 382318239/0 | Axe | | | |
| 22 | 4 | 112735599/0 | Vis | | | |
| 23 | 2 | 325547231/0 | Plaquette | | | |
| 24 | 1 | 112155000/0 | Ecrou | | | |
| 26 | 2 | 325670011/0 | Rondelle Antifriccion | | | |
| 27 | 1 | 382000569/0 | Tige De Connexion | | | |
| 27 | 1 | 382000569/1 | Tige De Connexion | for the replacement check Service Bulletin RO_043 | From 01-Septem | To 31-August- 2011 |
| 28 | 1 | 112521350/0 | Rondelle | | | |
| 29 | 1 | 382318237/0 | Axe | | | |
| 30 | 1 | 112604899/0 | Fixateur A Couronne | | | |
| 31 | 1 | 325547231/0 | Plaquette | | | |
| 32 | 2 | 112735599/0 | Vis | | | |
| 34 | 3 | 325670008/1 | Rondelle | | | |
| 35 | 3 | 125510107/1 | Pivot | | | |
| 36 | 3 | 112156602/0 | Ecrou | | | |
| 37 | 3 | 112295200/0 | Ecrou | | | |
| 38 | 3 | 125840012/0 | Tirant | | | |
| 39 | 3 | 112523060/0 | Rondelle | | | |
| 41 | 3 | 124487998/0 | Goupille | | | |
| 43 | 3 | 112156602/0 | Ecrou | | | |
| 44 | 6 | 325670008/1 | Rondelle | | | |

www.emc-motoculture.com



Plateau De Coupe avec Embrayage Electromagnétique

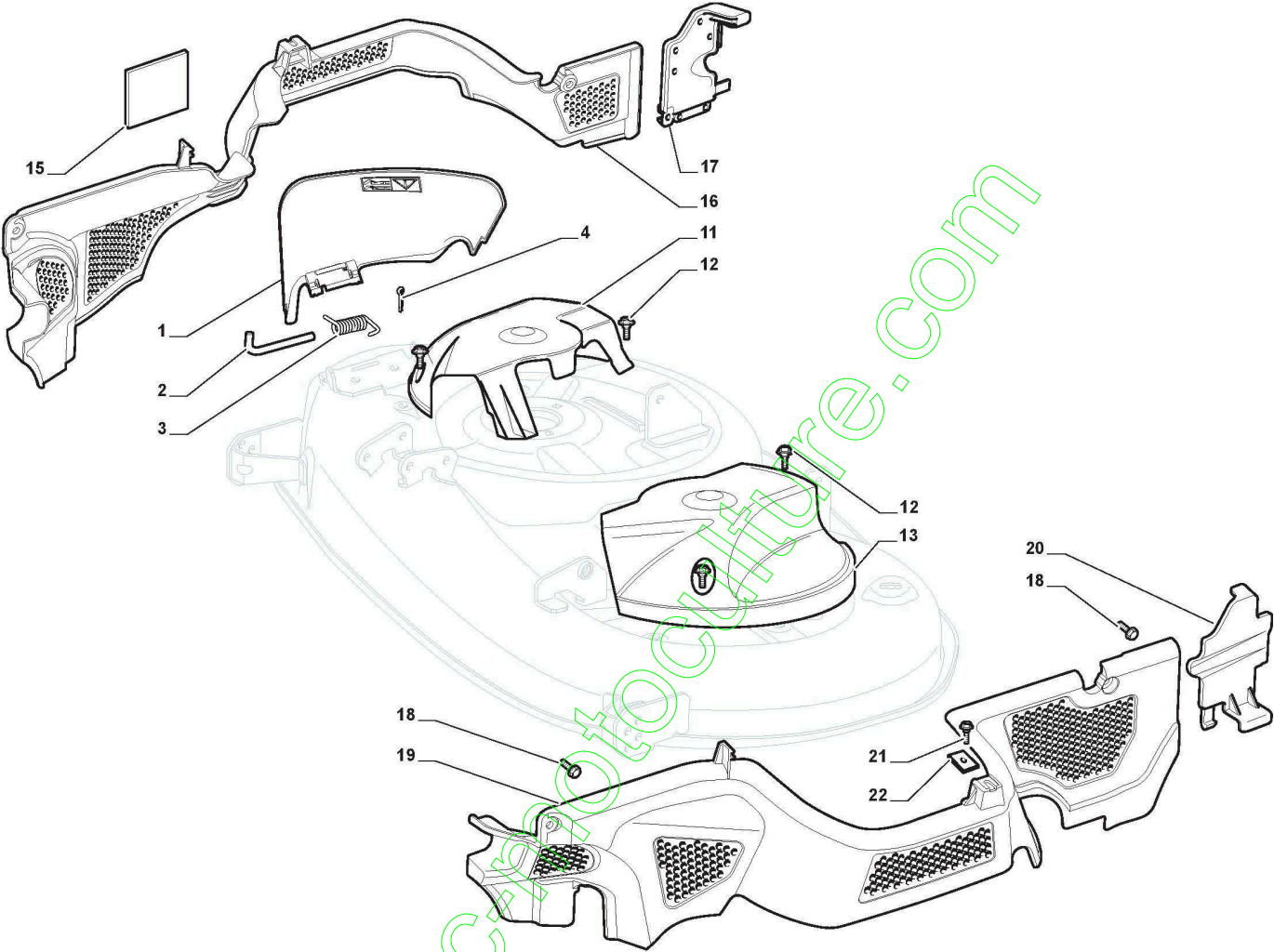
| Réf. N° | Q.té : | Code article | Description | Articles | De | Jusqu'à |
|---------|--------|--------------|-----------------------|----------|-------------------|----------------|
| 1 | 1 | 382564209/0 | Plateau De Coupe Noir | | | To |
| 1 | 1 | 382564209/1 | Plateau De Coupe Noir | | From | 31-August-2014 |
| 2 | 2 | 325033086/0 | Raccord Tuyau D'Eau | | | |
| 3 | 2 | 119035000/0 | Joint Or | | | |
| 4 | 2 | 382207204/0 | Ensemble Bride | | | To |
| 4 | 2 | 382207204/1 | Ensemble Bride | | From | 31-August-2015 |
| 5 | 2 | 125020804/0 | Arbre Lame | | | |
| 6 | 4 | 119216040/0 | Roulement | | From | |
| 6 | 4 | 119216047/0 | Roulement | | | To |
| 7 | 2 | 325160501/0 | Protege-Poussiere | | | 31-August-2014 |
| 8 | 2 | 112609260/0 | Seeger | | | |
| 11 | 1 | 135061504/0 | Courroie | | | |
| 12 | 2 | 125601571/0 | Poulie | | | |
| 13 | 2 | 112793102/0 | Vis | | | |
| 14 | 2 | 112540260/0 | Rondelle | | | |
| 15 | 2 | 125670007/0 | Rondelle | | | |
| 16 | 2 | 112139480/0 | Clavette | | | |
| 17 | 6 | 112818690/0 | Vis | | | |
| 18 | 6 | 112154210/0 | Ecrou | | | |
| 21 | 1 | 112691400/0 | Vis | | | |
| 22 | 1 | 112524010/0 | Rondelle | | | |
| 23 | 1 | 112610800/0 | Anneau Ressort | | | |
| 24 | 1 | 119216041/0 | Roulement | | From | |
| 24 | 1 | 119216048/0 | Roulement | | 01-September-2014 | To |
| 25 | 1 | 125601586/0 | Poulie | | | |
| 26 | 1 | 125160052/0 | Entretoise | | | |
| 27 | 1 | 325318232/0 | Levier | | | |
| 28 | 1 | 112293201/0 | Ecrou | | | |
| 29 | 1 | 112155020/0 | Ecrou | | | |
| 30 | 1 | 125670022/0 | Rondelle | | | |
| 31 | 1 | 125040635/0 | Douille | | | |
| 32 | 1 | 382004618/0 | Fil | | | |
| 33 | 1 | 125160049/0 | Entretoise | | | To |
| 33 | 1 | 125160086/0 | Entretoise | | From | 31-August-2014 |
| 34 | 1 | 112523080/0 | Rondelle | | | |
| 35 | 1 | 112156602/0 | Ecrou | | | |
| 36 | 1 | 118399063/0 | Friction | | | |
| 37 | 1 | 112543000/0 | Rondelle | | | |
| 38 | 1 | 112737320/0 | Vis | | | |
| 39 | 1 | 122430216/0 | Rondelle De Tension | | | To |
| 39 | 1 | 122430216/1 | Ressort | | From | To |
| 39 | 1 | 125430277/0 | Ressort | | 01-September-2010 | 31-August-2011 |
| 41 | 2 | 112692050/0 | Vis | | | |
| 42 | 2 | 112523060/0 | Rondelle | | | |
| 43 | 2 | 125510072/0 | Pivot | | | |
| 44 | 2 | 182700001/0 | Roulettes Antiscalp | | | |
| 45 | 2 | 112293201/0 | Ecrou | | | |
| 51 | 2 | 382000565/0 | Tige Balancier | | | |



Plateau De Coupe avec Embrayage Electromagnétique

| Réf. N° | Q.té : | Code article | Description | Articles | De | Jusqu'à |
|---------|--------|--------------|----------------------|----------|----|---------|
| 52 | 8 | 325670008/1 | Rondelle | | | |
| 53 | 4 | 112156602/0 | Ecrou | | | |
| 61 | 2 | 112735694/0 | Vis | | | |
| 62 | 2 | 112523080/0 | Rondelle | | | |
| 63 | 2 | 122160400/0 | Disque Elastique | | | |
| 64 | 2 | 182004346/0 | Lame Gauche Mulching | | | |
| 65 | 2 | 125463200/0 | Moyeu Lame | | | |
| 66 | 2 | 112139100/0 | Languette | | | |

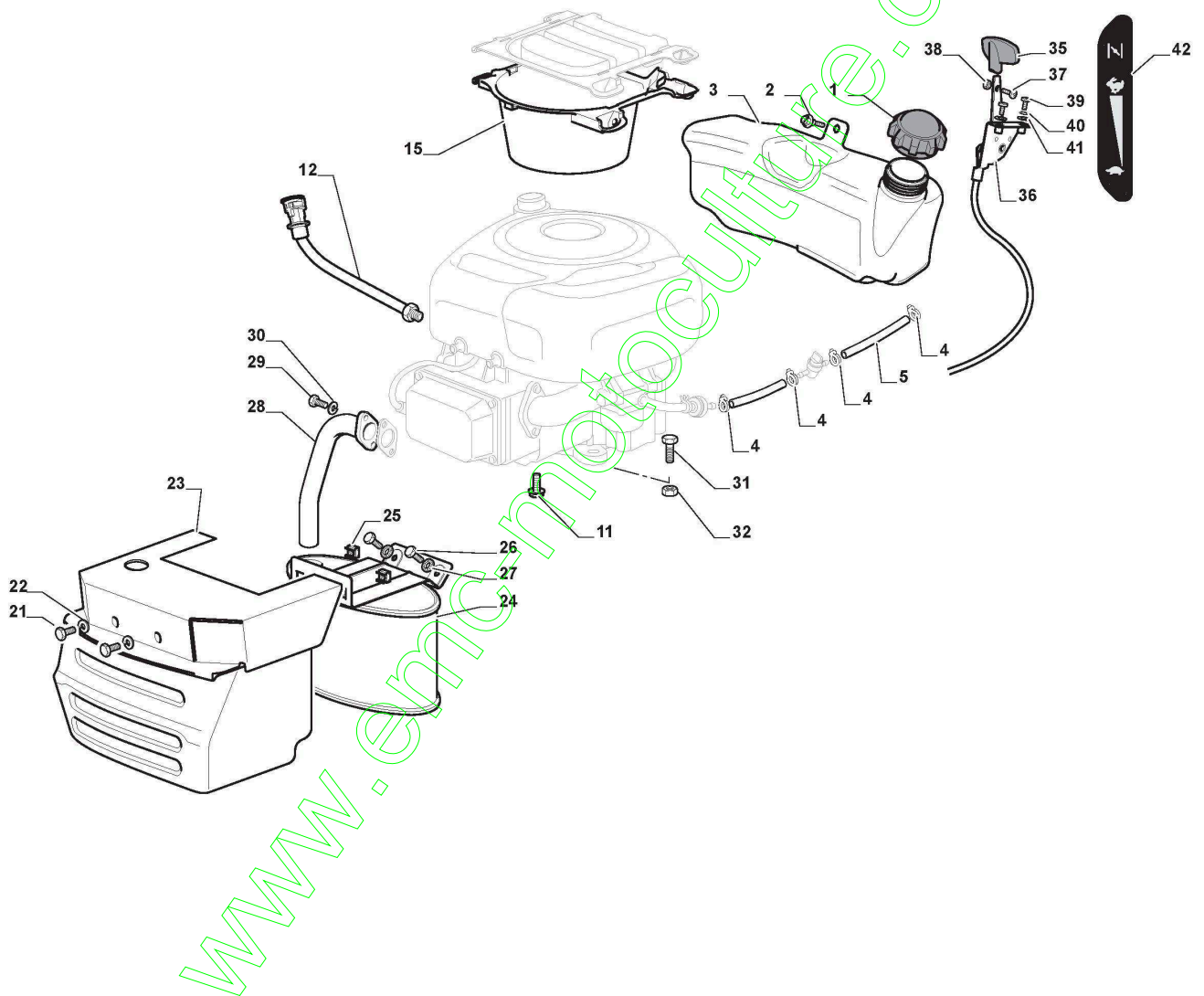
www.emc-motoculture.com



Protections Courroie

| Réf. N° | Q.té : | Code article | Description | Articles | De | Jusqu'à |
|---------|--------|--------------|-----------------------------------|-----------|------|----------------|
| 1 | 1 | 325600077/1 | Protection En Sortie | | | To |
| 1 | 1 | 325600077/2 | Protection En Sortie | | From | 31-August-2013 |
| 2 | 1 | 125510073/0 | Pivot | | | |
| 3 | 1 | 125430242/1 | Ressort | | | |
| 4 | 1 | 112141418/0 | Goupille | | | |
| 11 | 1 | 325600078/0 | Carter Protection Courroie Droit | | | |
| 12 | 4 | 125943006/0 | Vis | | | |
| 13 | 1 | 325600079/0 | Carter Protection Courroie Gauche | | | |
| 15 | 1 | 325600084/0 | Protection | only 98cm | | |
| 16 | 1 | 325060154/0 | Carter | | | |
| 17 | 1 | 325600082/0 | Protection | | | |
| 18 | 4 | 125943011/0 | Vis | | | |
| 19 | 1 | 325060155/0 | Carter | | | |
| 20 | 1 | 325600083/0 | Protection | | | |
| 21 | 2 | 127943051/0 | Vis | | | |
| 22 | 2 | 112437506/0 | Plaquette | | | |

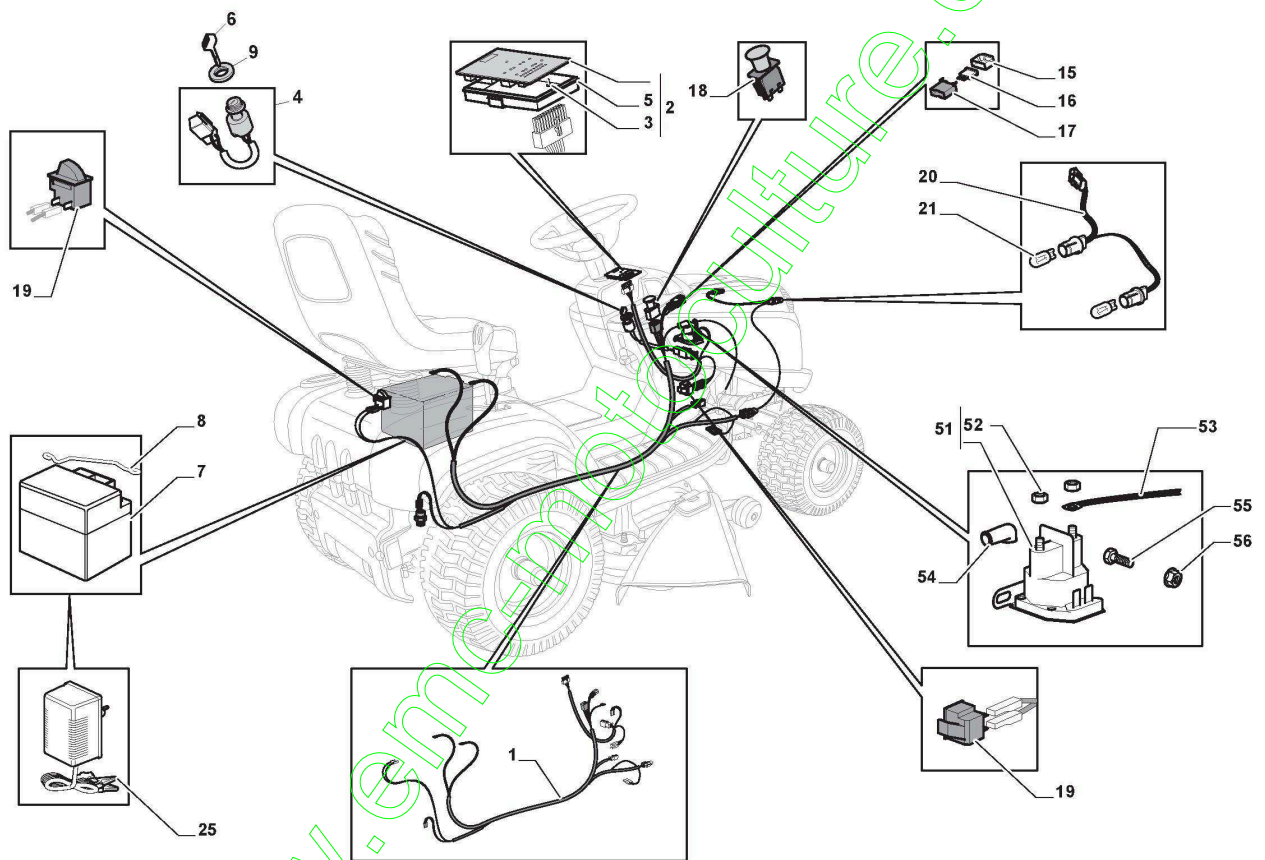
www.emc-motoculture.com



Moteur - B&S

| Réf. N° | Q.té : | Code article | Description | Articles | De | Jusqu'à |
|---------|--------|--------------|--------------------------------|---------------------------|-------------------------------|---------|
| 1 | 1 | 125795001/1 | Bouchon | | | |
| 2 | 4 | 125943010/0 | Vis | | | |
| 3 | 1 | 325735126/0 | Réservoir à carburant | | | |
| 4 | 4 | 118375051/1 | Fixation De Cable | | | |
| 5 | 1 | 325869057/0 | Tube De Connexion | | | |
| 11 | 3 | 112735108/1 | Vis | | | |
| 12 | 1 | 125598050/0 | Rallonge Dechargement Huile | | | |
| 13 | 1 | 118401001/1 | Garniture | | | |
| 14 | 1 | 118737849/0 | Bouchon | | | |
| 15 | 1 | 325108044/0 | Convoyeur | | | To |
| 15 | 1 | 325108044/1 | Convoyeur | if foreseen in assortment | From 01-Septem ber-2010 | |
| 21 | 2 | 112792611/0 | Vis | | | |
| 22 | 2 | 112540260/0 | Rondelle | | | |
| 23 | 1 | 382598047/0 | Protection Silencieux | | | |
| 24 | 1 | 182750010/0 | Silencieux | | | |
| 25 | 2 | 112360425/0 | Ecrou | | | |
| 26 | 2 | 112792611/0 | Vis | | | |
| 27 | 2 | 112540260/0 | Rondelle | | | |
| 28 | 1 | 118738224/0 | Tuyau de raccord d'échappement | | | |
| 29 | 2 | 112737450/0 | Vis | | | |
| 30 | 2 | 112540260/0 | Rondelle | | | |
| 31 | 1 | 112691115/0 | Vis | | | |
| 32 | 3 | 112154210/0 | Ecrou | | | |
| 35 | 1 | 325394531/0 | Poignée | | | |
| 36 | 1 | 182000216/0 | Accelerateur | | | |
| 37 | 1 | 112726389/0 | Vis | | | |
| 38 | 1 | 112290800/0 | Ecrou | | | |
| 39 | 2 | 112726389/0 | Vis | | | |
| 40 | 2 | 112540020/0 | Rondelle | | | |
| 41 | 2 | 112521310/0 | Rondelle | | | |
| 42 | 1 | 114363697/0 | Etiquette | | | |

www.emc-motoculture.com



www.enmotoculture.com

Parties Electriques

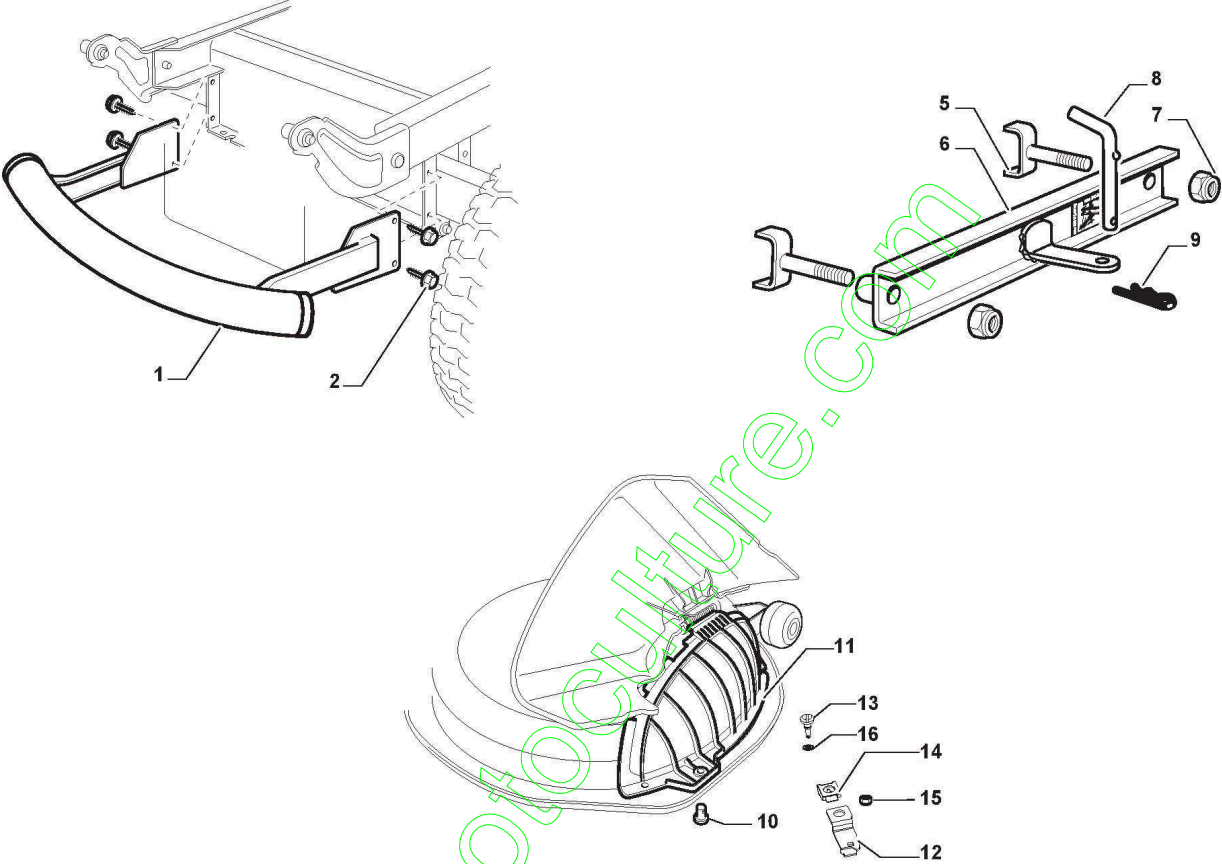
| Réf. N° | Q.té : | Code article | Description | Articles | De | Jusqu'à |
|---------|--------|--------------|---|------------------------------------|--------------------------------|--------------------------|
| 1 | 1 | 182040150/0 | Ens. Cablages | For Mechanical Models with lamp | | To 31-August- 2014 |
| 1 | 1 | 182040151/0 | Ens. Cablages | For Mechanical Models without lamp | | To 31-August- |
| 1 | 1 | 182040195/0 | Ens. Cablages | For Mechanical Models | From 01-Septem- ber-2014 | |
| 3 | 1 | 112735101/0 | Vis | | | |
| 4 | 1 | 118450075/0 | Interrupteur Demarrage | | | To 31-August- 2014 |
| 4 | 1 | 118450075/1 | Interrupteur Demarrage | | From | |
| 5 | 1 | 325600080/0 | Protection De Carte | | | |
| 6 | 1 | 118210023/0 | Clef A Demarrage | | | |
| 7 | 1 | 118120002/1 | Batterie 12V 18AH | | | |
| 8 | 1 | 125430265/1 | Ressort | | | |
| 9 | 1 | 118400863/0 | Manchon Expansible | | | |
| 15 | 2 | 133215000/0 | Couvercle | | | |
| 16 | 1 | 133340036/0 | Fusible 25 A | | | |
| 16 | 1 | 133340040/0 | Fusible 10 A | | | |
| 17 | 2 | 133500007/0 | Tableau De Fusible | | | |
| 18 | 1 | 118450074/0 | Interrupteur Embrajage | Red | | |
| 19 | 2 | 119410613/0 | Microinterrupteur | | | |
| 21 | 2 | 118459100/0 | Ampoule De Phares | | | |
| 25 | 1 | 182180090/0 | Chargeur De Batteries 12V 1A - CE Plugg | CE Plug | | |
| 51 | 1 | 118736112/0 | Solenoid | | | |
| 52 | 2 | 112361005/0 | Ecrou | | | |
| 53 | 1 | 125065002/0 | Cable | | | |
| 54 | 1 | 118564864/1 | Capuchon | | | |
| 55 | 1 | 112790781/0 | Vis | | | |
| 56 | 2 | 112154510/0 | Ecrou | | | |

www.emc-motoculture.com

Etiquettes

| Réf. N° | Q.té : | Code article | Description | Articles | De | Jusqu'à |
|---------|--------|--------------|-------------------------------|------------------------------|----|---------|
| 1 | 1 | 114362365/1 | Etiquette | No more used from 01.11.2022 | | |
| 2 | 1 | 114363451/0 | Etiquette | | | |
| 3 | 1 | 114363699/0 | Etiquette | Only for Models with Lamp | | |
| 4 | 1 | 114361438/0 | Etiquette | | | |
| 5 | 1 | 114366142/0 | Etikett | | | |
| 6 | 1 | 114363700/0 | Etiquette | | | |
| 7 | 2 | 114364961/3 | Etiquette | | | |
| 8 | 1 | 114356699/1 | Etiquette De Plaque De Danger | | | |

www.emc-motoculture.com

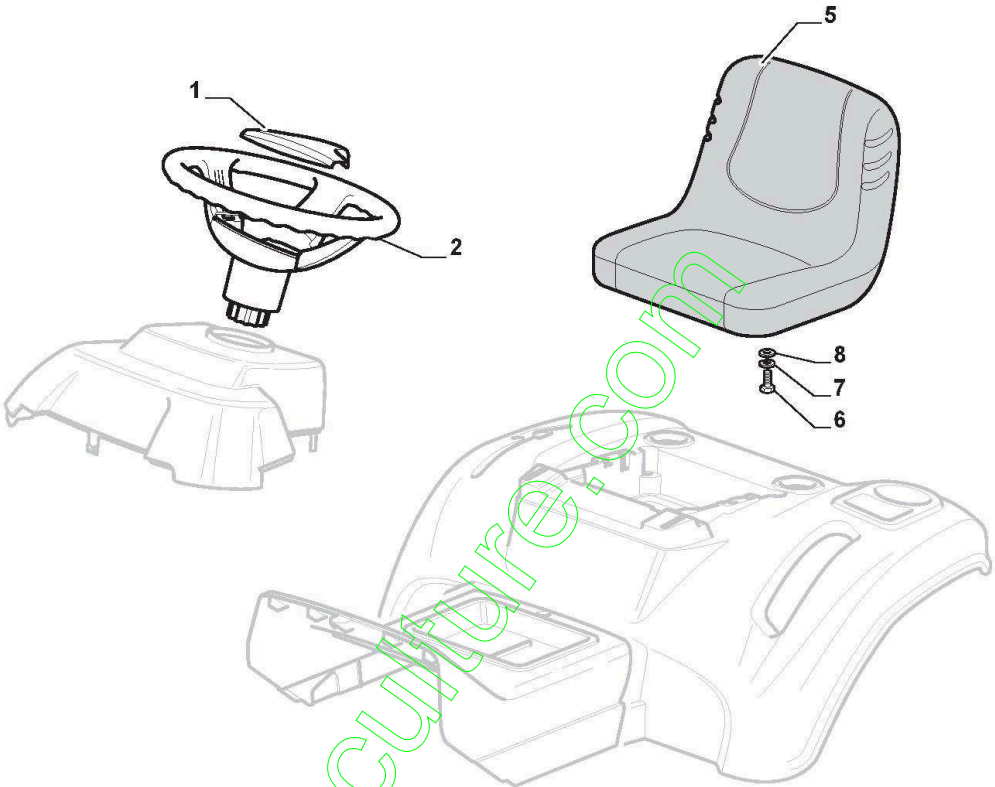


www.emc-motoculture.com

Accessoires Sur Demande

| Réf. N° | Q.té : | Code article | Description | Articles | De | Jusqu'à |
|---------|--------|--------------|-----------------------|----------|-----------------------|--------------------------|
| 1 | 1 | 382869038/0 | Protection Silencieux | | | |
| 2 | 4 | 125943008/0 | Vis | | | |
| 5 | 2 | 382650211/0 | Renforcement | | | |
| 6 | 1 | 382033111/0 | Tige | | | |
| 7 | 2 | 112155000/0 | Ecrou | | | |
| 8 | 1 | 125510021/1 | Pivot | | | |
| 9 | 1 | 124487999/0 | Goupille | | | |
| 10 | 2 | 112815205/0 | Vis | | | |
| 11 | 1 | 325140099/0 | Deflecteur | | | To 31-August- 2014 |
| 11 | 1 | 325140105/0 | Deflecteur | | From | |
| 12 | 1 | 125510111/0 | Pivot | | | To 31-August- 2014 |
| 12 | 2 | 325785471/0 | Pivot | | From | |
| 13 | 1 | 125580040/0 | Bondon | | From | |
| 13 | 1 | 125580041/0 | Bondon | | 01-Septem ber-2015 | To |
| 14 | 1 | 112437507/0 | Plaquette | | | To |
| 14 | 1 | 118737221/0 | Plate | | From | To 31-August- 2015 |
| 15 | 2 | 112154510/0 | Ecrou | | | |
| 16 | 1 | 112604899/0 | Fixateur A Couronne | | | |

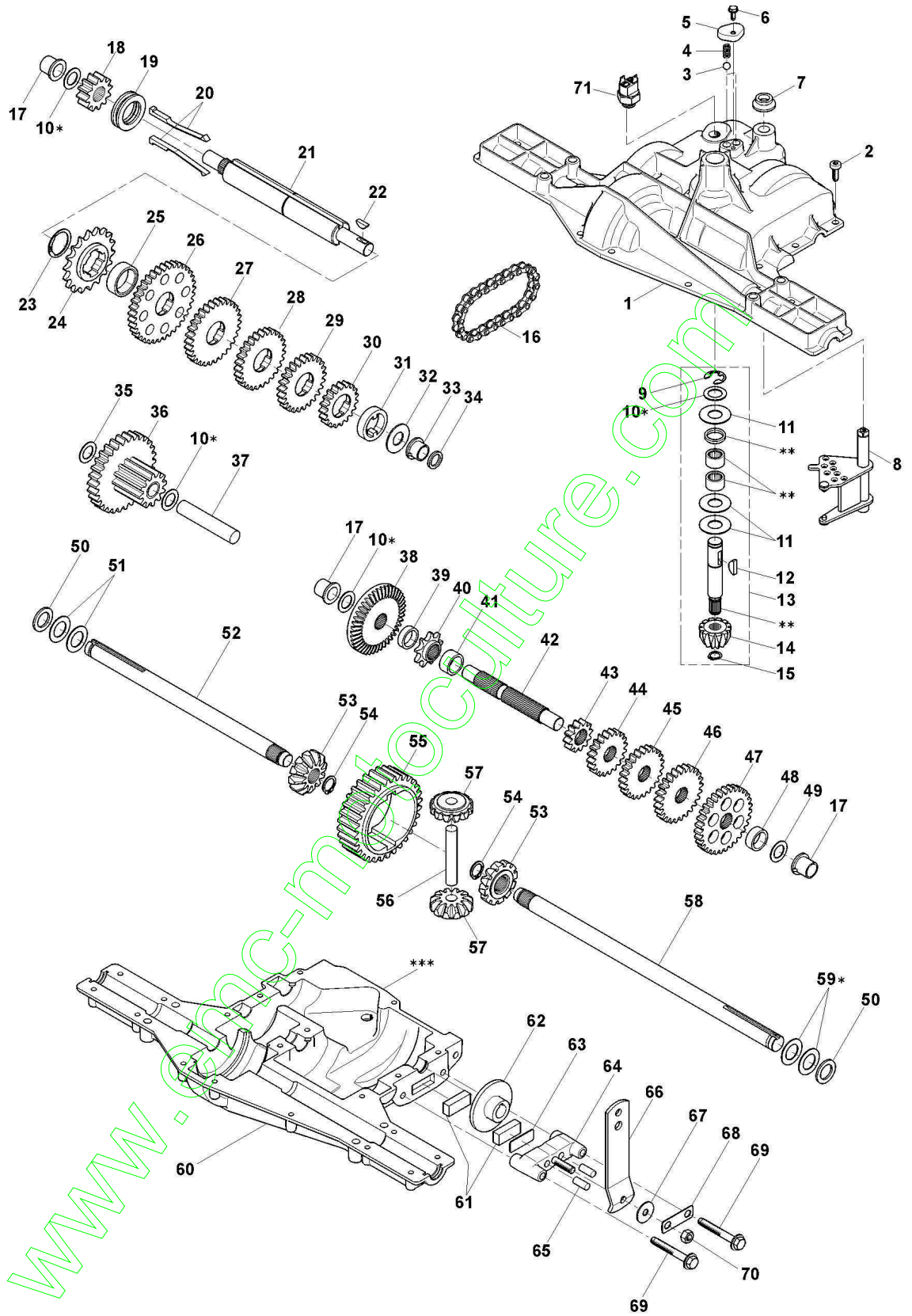
www.emc-motoculture.com



Siege & Volant

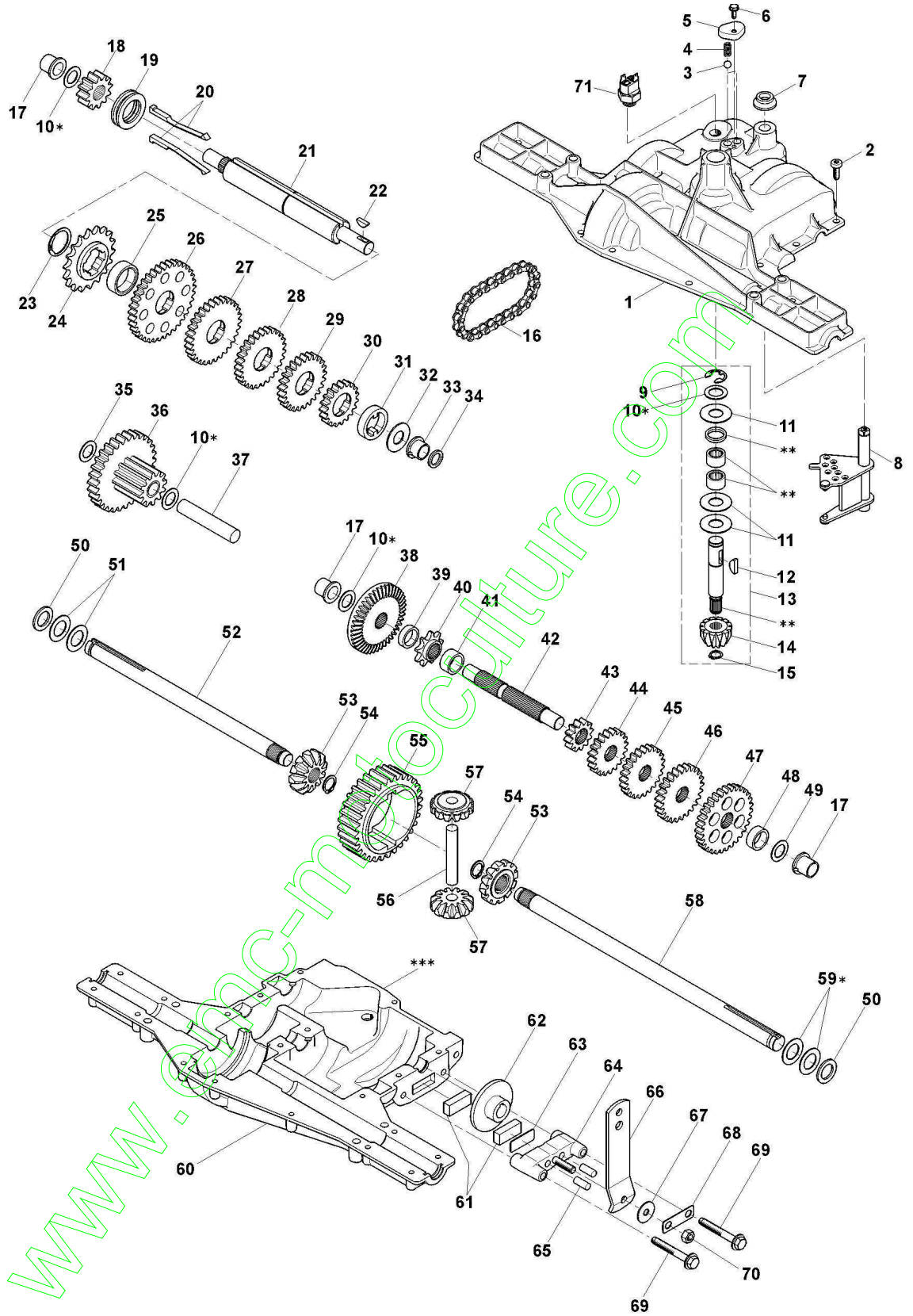
| Réf. N° | Q.té : | Code article | Description | Articles | De | Jusqu'à |
|---------|--------|--------------|---------------|----------|------|----------------|
| 1 | 1 | 325580503/0 | Plaque Volant | | | |
| 2 | 1 | 325961219/0 | Volant | | | |
| 5 | 1 | 125722463/0 | Siege | | | To |
| 5 | 1 | 125722483/0 | Siege | | From | 31-August-2017 |
| 6 | 4 | 112792611/0 | Vis | | | |
| 7 | 4 | 112540260/0 | Rondelle | | | |
| 8 | 4 | 112523060/0 | Rondelle | | | |

www.emc-motoculture.com



Transmission

| Réf. N° | Q.té : | Code article | Description | Articles | De | Jusqu'à |
|---------|--------|--------------|------------------------------|----------|----|---------|
| 1 | 1 | F000-5962-AC | Housing, Upper | | | |
| 2 | 16 | F000-1919-00 | Vis | | | |
| 3 | 2 | F000-5947-00 | Sphère | | | |
| 4 | 2 | F000-5948-00 | Ressort | | | |
| 5 | 1 | F000-5950-00 | Cover, Detent | | | |
| 6 | 1 | F084-0052-00 | Vis | | | |
| 7 | 1 | F000-7010-00 | V-Ring | | | |
| 8 | 1 | F000-6517-00 | Assy, Kit, Shifter | | | |
| 9 | 1 | F000-1106-00 | Ring, Retaining | | | |
| 10 | 4 | F000-4689-00 | Assy, Kit, Shim, .625 Shaft | | | |
| 11 | 3 | F000-3876-00 | Rondelle | | | |
| 12 | 1 | F000-1746-00 | Clé de volant | | | |
| 13 | 1 | F000-6595-00 | Assy, Kit, Input Shaft | | | |
| 14 | 1 | F000-5620-00 | Pinion, Bevel, 12T | | | |
| 15 | 1 | F000-3624-00 | Ring, Retaining | | | |
| 16 | 1 | F000-3625-00 | Chain, 24 Pitches | | | |
| 17 | 3 | F000-5510-00 | Bearing, Flange | | | |
| 18 | 1 | F000-5627-00 | Gear, Spur, 12T | | | |
| 19 | 1 | F000-5303-00 | Collar, Clutch | | | |
| 20 | 1 | F000-4758-00 | Assy, Kit, Clutch Clefs | | | |
| 21 | 1 | F000-5737-00 | Shaft, Intermediate | | | |
| 22 | 1 | F000-1375-00 | Clé de volant | | | |
| 23 | 1 | F000-3627-00 | Ring, Retaining | | | |
| 24 | 1 | F000-3830-00 | Couronne, 18T | | | |
| 25 | 1 | F000-3841-00 | Entretoise | | | |
| 26 | 1 | F000-5365-00 | Gear, Spur, 37T | | | |
| 27 | 1 | F000-3867-00 | Gear, Spur, 30T | | | |
| 28 | 1 | F000-5014-00 | Gear, Spur, 27T | | | |
| 29 | 1 | F000-3783-00 | Gear, Spur, 25T | | | |
| 30 | 1 | F000-5202-00 | Gear, Spur, 19T | | | |
| 31 | 1 | F000-5027-00 | Entretoise | | | |
| 32 | 1 | F000-3628-00 | Rondelle | | | |
| 33 | 1 | F000-5511-00 | Bearing, Flange | | | |
| 34 | 1 | F000-5508-00 | Seal, Oil | | | |
| 35 | 1 | F000-1425-00 | Rondelle | | | |
| 36 | 1 | F000-6358-00 | Assy, Gear, Comb., 12T & 30T | | | |
| 37 | 1 | F000-3967-00 | Shaft, Idler | | | |
| 38 | 1 | F000-7003-00 | Gear, Bevel, 36T | | | |
| 39 | 1 | F000-3630-00 | Entretoise | | | |
| 40 | 1 | F000-3645-00 | Couronne, 9T | | | |
| 41 | 1 | F000-5016-00 | Entretoise | | | |
| 42 | 1 | F000-5015-00 | Arbre Transmission | | | |
| 43 | 1 | F000-5364-00 | Gear, Spur, 12T | | | |
| 44 | 1 | F000-3866-00 | Gear, Spur, 20T | | | |
| 45 | 1 | F000-5013-00 | Gear, Spur, 23T | | | |
| 46 | 1 | F000-3719-00 | Gear, Spur, 25T | | | |
| 47 | 1 | F000-3683-00 | Gear, Spur, 31T | | | |
| 48 | 1 | F000-3714-00 | Entretoise | | | |



Transmission

| Réf. N° | Q.té : | Code article | Description | Articles | De | Jusqu'à |
|---------|--------|--------------|-----------------------------|----------|----|---------|
| 49 | 1 | F000-1145-00 | Rondelle | | | |
| 50 | 2 | F000-5130-00 | Rondelle | | | |
| 51 | 2 | F000-3184-00 | Rondelle | | | |
| 52 | 1 | F000-7070-10 | Axe Roues Gauche | | | |
| 53 | 2 | F000-5622-00 | Gear, Miter, 12T, Splined | | | |
| 54 | 2 | F000-5270-00 | Ring, Retaining | | | |
| 55 | 1 | F000-3839-00 | Gear, Spur, 32T | | | |
| 56 | 1 | F000-3919-00 | Shaft, Cross | | | |
| 57 | 2 | F000-5623-00 | Gear, Miter, 12T, Idler | | | |
| 58 | 1 | F000-7070-20 | Axe Roues Droite | | | |
| 59 | 1 | F000-4691-00 | Assy, Kit, Shim, .750 Shaft | | | |
| 60 | 1 | F000-5304-R0 | Housing, Lower | | | |
| 61 | 2 | F000-7109-00 | Puck, Friction | | | |
| 62 | 1 | F000-5960-00 | Disc, Brake | | | |
| 63 | 1 | F000-3758-00 | Entretoise | | | |
| 64 | 1 | F000-5554-00 | Frein | | | |
| 65 | 2 | F000-3843-00 | Vis sans tête | | | |
| 66 | 1 | F000-7026-00 | Lever, Actuating | | | |
| 67 | 1 | F000-3760-00 | Rondelle | | | |
| 68 | 1 | F000-5555-00 | Bracket, Anti-Rotation | | | |
| 69 | 2 | F000-5562-00 | Vis | | | |
| 70 | 1 | F000-3847-00 | Ecrou | | | |
| 71 | 1 | 119410610/0 | Micro | | | |

www.emc-motoculture.com