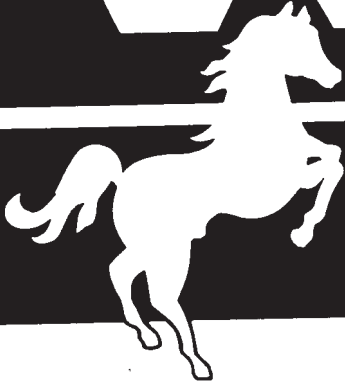
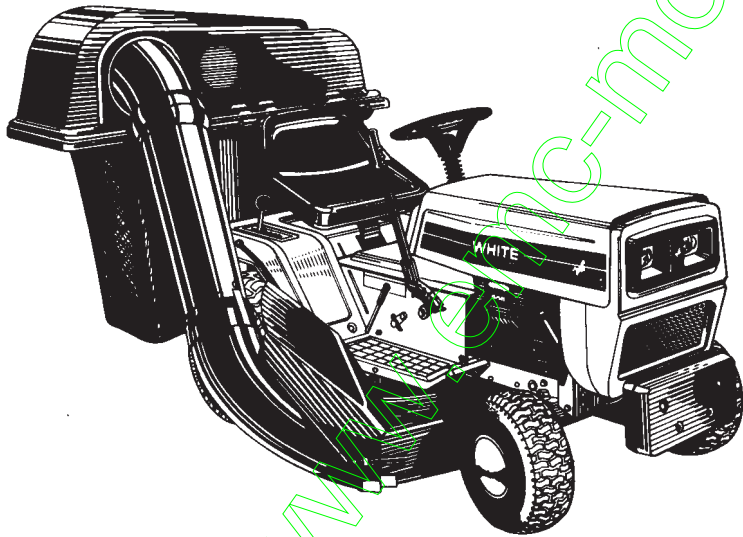


346

WHITE



OUTDOOR PRODUCTS OWNER'S GUIDE



LT-11

**Model Number
138-346-190**

INDEX

Slope Gauge	3
Contents of Hardware Pack	4
Rules for Safe Operation	5
Assembly Instructions	6
Controls	10
Operation	11
Adjustments	13
Lubrication	16
Maintenance	17
Off-Season Storage	20
Trouble Shooting Chart	21, 22
Illustrated Parts for Lawn Tractor	23-31
Electrical System	30
Illustrated Parts for Transaxle	32, 33

Dear Customer,

So often throughout the year we are all in a rush to meet our daily obligations.

However, we at White Outdoor Products are taking a quick moment out to say...

"Thank you for your business."

Sincerely,
WHITE OUTDOOR PRODUCTS



INSTRUCTIONS GIVEN WITH THIS SYMBOL ARE FOR PERSONAL SAFETY. BE SURE TO FOLLOW THEM.

LIMITED WARRANTY

For two years from the date of original retail purchase, WHITE OUTDOOR PRODUCTS will either repair or replace, at its option, free of charge, F.O.B. factory or authorized service firm, any part or parts found to be defective in material or workmanship. Transportation charges for the movement of any power equipment unit or attachment are the responsibility of the purchaser. Transportation charges for any parts submitted for replacement under this warranty must be paid by the purchaser unless such return is requested by WHITE OUTDOOR PRODUCTS.

This warranty will not apply to any part which has become inoperative due to misuse, excessive use, accident, neglect, improper maintenance, alterations, or unless the unit has been operated and maintained in accordance with the instructions furnished. This warranty does not apply to the engine, motor, battery, battery charger or component parts thereof. Please refer to the applicable manufacturer's warranty on these items.

Warranty on units used commercially is limited to sixty (60) days.

Warranty service is available through your local authorized service dealer or distributor. If you do not know the dealer or distributor in your area, please write to the Customer Service Department of WHITE OUTDOOR PRODUCTS.

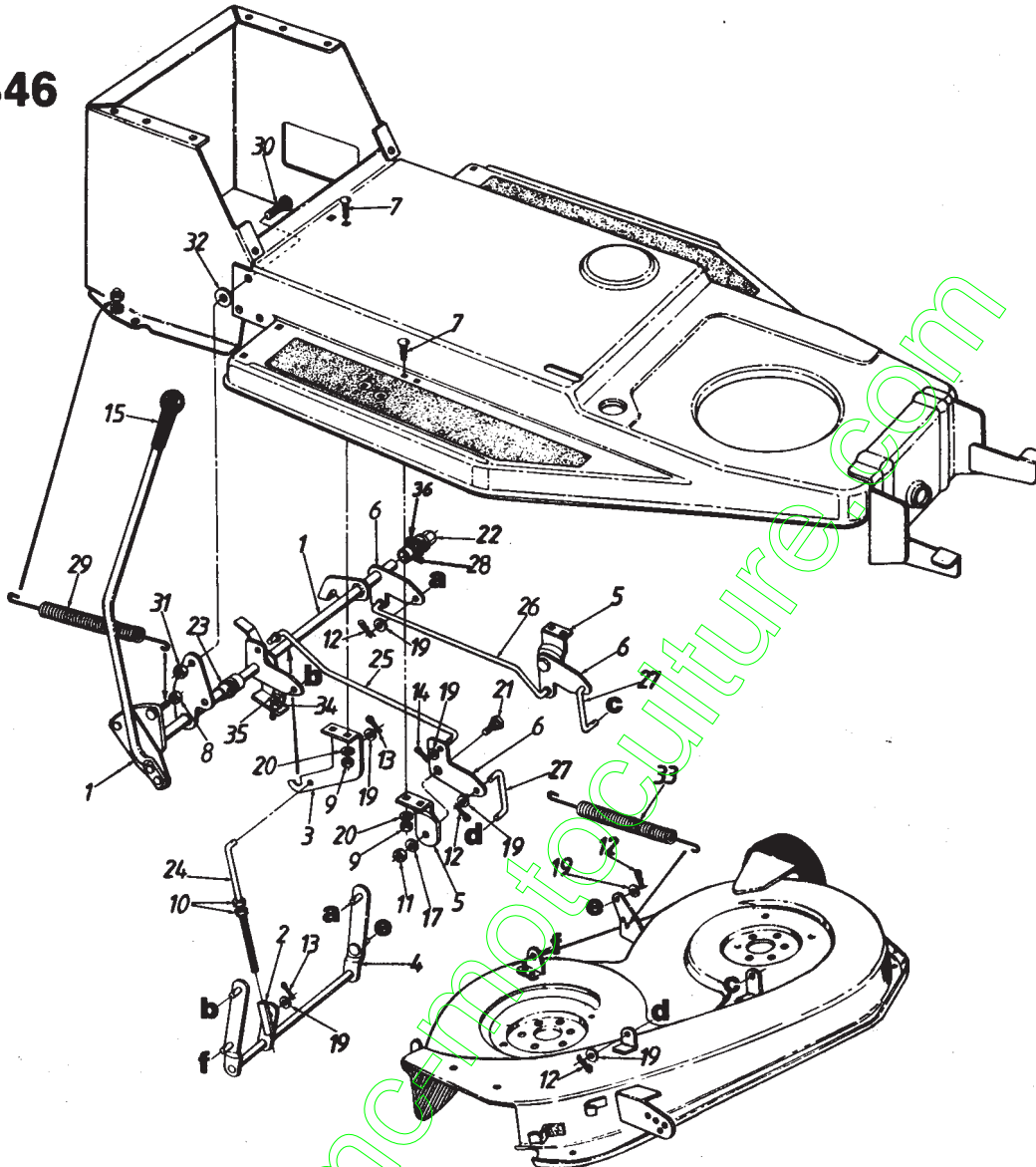
The return of a complete unit will not be accepted by the factory unless prior written permission has been extended by WHITE OUTDOOR PRODUCTS.

This warranty gives you specific legal rights. You may also have other rights which vary from state to state.

WARNING: This unit is equipped with an internal combustion engine and should not be used on or near any unimproved forest-covered, brush-covered or grass-covered land unless the engine's exhaust system is equipped with a spark arrester meeting applicable local or state laws (if any). If a spark arrester is used, it should be maintained in effective working order by the operator.

In the State of California the above is required by law (Section 4442 of the California Public Resources Code). Other states may have similar laws. Federal laws apply on federal lands. A spark arrester for the muffler is available through your nearest engine authorized service center.

LT-11 Model 346

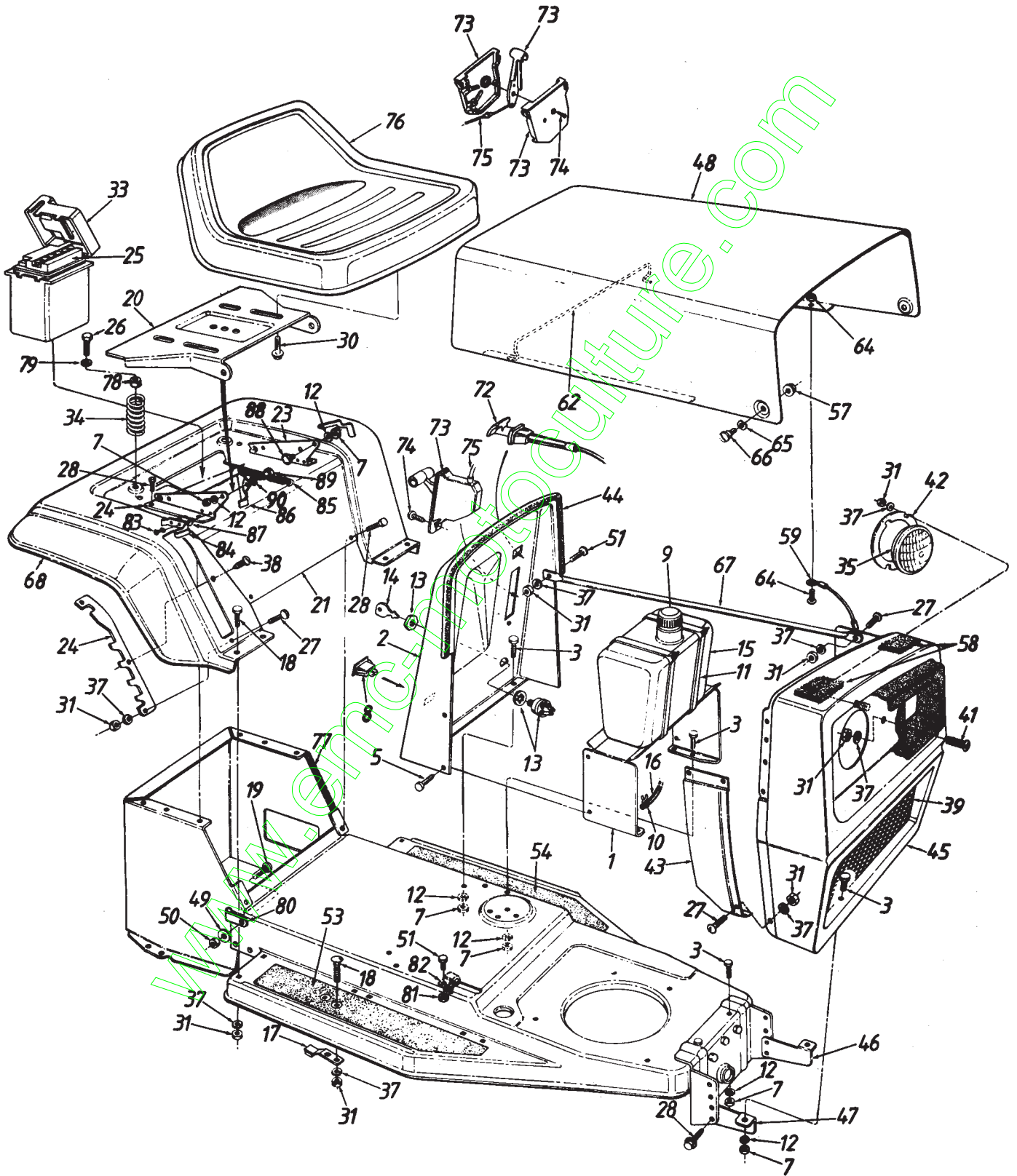


PARTS LIST FOR MODEL LT-11 (346) LAWN TRACTOR

REF. NO.	PART NO.	COLOR CODE	DESCRIPTION	NEW PART	REF. NO.	PART NO.	COLOR CODE	DESCRIPTION	NEW PART
1	16661		Lift Shaft Ass'y.		21	738-0281		Shld. Bolt .625 Dia. x .170" Lg.	
2	16682		Pivot Sleeve Ass'y.		22	741-0225		Hex Flange Brg.	
3	16683		Deck Lock Out Brkt.		23	741-0495		Nyliner Flanged Brg.	
4	16688		Stabilizer Ass'y.		24	747-0677		J-Bolt 3/8-16 x 5.25" Lg.	
5	16692		Deck Lift Hanger		25	747-0678		Connecting Rod—R.H.	
6	16698		Deck Lift Float Brkt.		26	747-0679		Connecting Rod—L.H.	
7	710-0134		Carr. Bolt 1/4-20 x .62" Lg.		27	747-0689		Lift Link	
8	712-0158		Hex L-Nut 5/16-18 Thd.		28	750-0547		Spacer	
9	712-0287		Hex Nut 1/4-20 Thd.*		29	732-0153		Spring 8.65" Lg.	
10	712-0711		Hex L-Nut 3/8-24 Thd.		30	710-0793		Ribbed Neck Bolt 3/8-24 x .80" Lg. (Special)	
11	712-0798		Hex Nut 3/8-16 Thd.*		31	712-0241		Hex Nut 3/8-24 Thd.*	
12	714-0104		Intern. Cot-Pin 5/16" Dia.		32	736-0354		Fl-Wash. 3/8" I.D.	
13	714-0115		Cot-Pin 1/8" Dia.		33	732-0564		Deck Spring 10.33" Lg.	
14	714-0507		Cot-Pin 3/32" Dia.		34	712-0267		Hex Nut 5/16-18 Thd.*	
15	720-0143		Grip		35	710-0602		Hex Wash. Hd. Tap Scr. 5/16-18 x 1.0" Lg.	
17	736-0169		L-Wash. 3/8" I.D.*		36	736-0174		Spr. Wash. .625" I.D.	
19	736-0185		Fl-Wash. .406" I.D. x .75" O.D.						
20	736-0329		L-Wash. 1/4" I.D.*						

LT-11 Model 346

NOTE
Specifications subject to change without notice or obligation.



LT-11

Model 346

PARTS LIST FOR MODEL LT-11 (346) LAWN TRACTOR

REF. NO.	PART NO.	COLOR CODE	DESCRIPTION	NEW PART	REF. NO.	PART NO.	COLOR CODE	DESCRIPTION	NEW PART
1	16655		Dash Panel Support Brkt.		43	14748		Side Panel—R.H.	
2	16656		Dash Panel			14749		Side Panel—L.H. (Not Shown)	
3	710-0118		Hex Bolt 5/16-18 x .75" Lg.*		44	731-0511		Trim Strip 26½" Lg.	
5	710-0776		Hex AB-Tap Scr. ¼ x .62"		45	14787		Grille	
7	712-0267		Hex Nut 5/16-18 Thd.*		46	17143		Grille Mtg. Brkt.—L.H.	
8	725-0634		Light Switch		47	17144		Grille Mtg. Brkt.—R.H.	
9	723-0333		Gas Gauge		48	16681	629	Hood	
10	726-0207		Hose Clamp		49	736-0217		L-Wash. 3/8" I.D.—H.D.	
11	726-0209		Cable Tie		50	712-0241		Hex L-Nut 3/8-24 Thd.	
12	736-0119		L-Wash. 5/16" I.D.*		51	710-0258		Hex Bolt ¼-20 x .62" Lg.*	
13	725-0267		Ignition Switch		52	710-0473		Truss Mach. Scr. #10-24 x .5" Lg.	
14	725-0201		Ignition Key					Foot Pad—R.H.	
15	751-0172		Fuel Tank		53	723-0308		Foot Pad—L.H.	
16	751-0173		Gas Line		54	723-0309		Lock Nut ¼-28 Thd.	
17	761-0157		Blade Brake Ass'y.		57	712-0380		Foam Strip (Optional)	
18	710-0134		Carriage Bolt ¼-20 x .62"		58	722-0157		Hood Stop	
19	710-0793		Ribbed Neck Bolt 3/8-24 x .8"		59	723-0302		Hood Spring	
20	15607		Seat Pivot Brkt.		62	732-0414		Hex Sems Nut #10-24 Thd.	
21	16660	483	Rear Fender		64	712-0272		Spr. Wash. .39" I.D. x .62" O.D.	
22	17284		Seat Hinge Support Brkt.—R.H.	N	65	736-0413		Shld. Bolt	
23	17283		Seat Hinge Support Brkt.—L.H.	N	66	738-0724		Grille Support	
24	17133		Deck Lift Index Brkt.		67	749-0722		Trim Strip 79" Lg.	
25	725-0514		Battery		68	731-0511		Choke Control	
26	710-0602		Hex Self-Tap Screw 5/6-18 x 1" Lg.		72	746-0617		Throttle Control Box	
27	710-0255		Truss Mach. Scr. ¼-20 x .75" Lg.		73	831-0823		Truss AB-Tap Scr. #10 x .5"	
28	710-0726		Hex AB-Tap Scr. 5/16 x .75" Lg.		74	710-0779		Throttle Wire	
29	712-0158		Hex L-Nut 5/16-18 Thd.		75	746-0501		Seat Assembly	
30	710-0623		Hex Self-Tap Scr. 3/8-16 x .75" Lg.		76	757-0343		Trim Strip 5" Lg.	
31	712-0287		Hex Nut ¼-20 Thd.*		77	731-0511		Flat Wash. .344" I.D. x .88" O.D.	
33	731-0871		Battery Box w/Cover		78	736-0159		Bushing	
34	732-0548		Compression Spring		79	722-0160		Clamp	
35	725-0222		Headlight		80	726-0267		Hex L-Nut ¼-20 Thd.	
36	736-0242		Bell-Wash. 5/16" I.D.		81	712-0107		Clamp	
37	736-0329		L-Wash. ¼" I.D.*		82	726-0175		Hex Tap Scr. #8 x .5" Lg.	
38	710-0224		Hex Wash. Hd. Tap Scr. #10 x .5" Lg.		83	710-0227		Spring Switch	
39	731-0881		Grille Insert		84	725-1303		Ext. Spring 5.31" Lg.	N
40	731-0465		Bezel		85	732-0581		Seat Lift Brkt.	N
41	710-0346		C-Sunk Mach. Scr. ¼-20 x 1.5"		86	17239		Insulator Nut Plate	N
42	09960		Headlight Retainer		87	726-0222		Shld. Bolt .437" Dia. x .162" Lg.	
					88	738-0155		Shld. Bolt .437" Dia. x .268" Lg.	
					89	738-0296		Spr. Wash. .445" I.D. x .75" O.D.	
					90	736-0141			

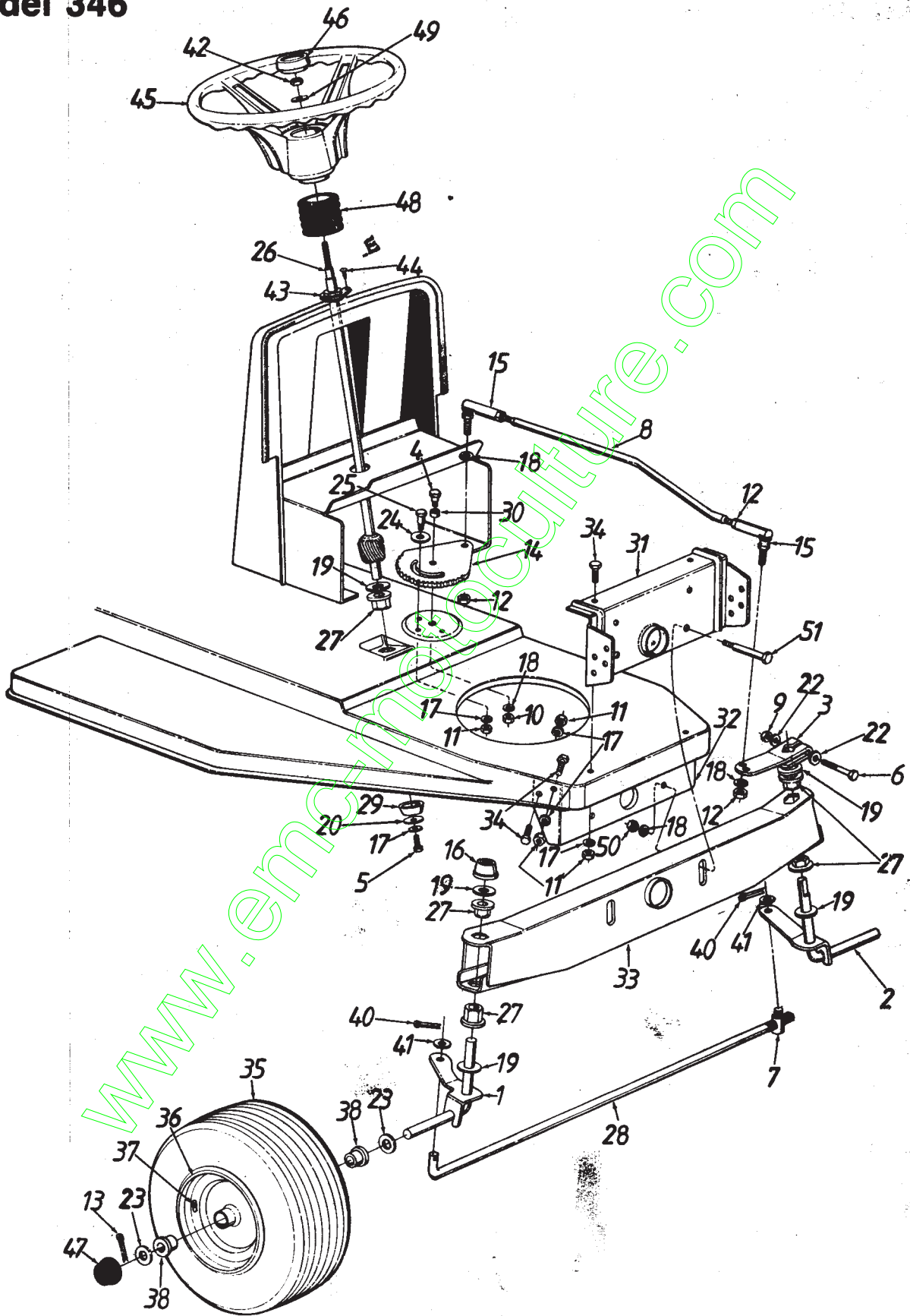
*For faster service obtain standard nuts, bolts and washers locally. If these items cannot be obtained locally, order by part number and size as shown on parts list.

483—Charcoal Grey
629—Silver Flake

If color or finish is important when ordering parts, use the appropriate color code shown above [i.e. (part no.)-483 for Charcoal Grey Finish].

Part No.	Description
777-6809	L7-11 Label—Hood
777-6655	"Cruise-Matic" Label—Fenders
777-6551	Plastic Logo—Steering Cap
777-6549	Plastic Logo—Hood Sides
777-6550	Plastic Logo—Grille
777-4777	Reflective Label—Seat

LT-11 Model 346



LT-11

Model 346

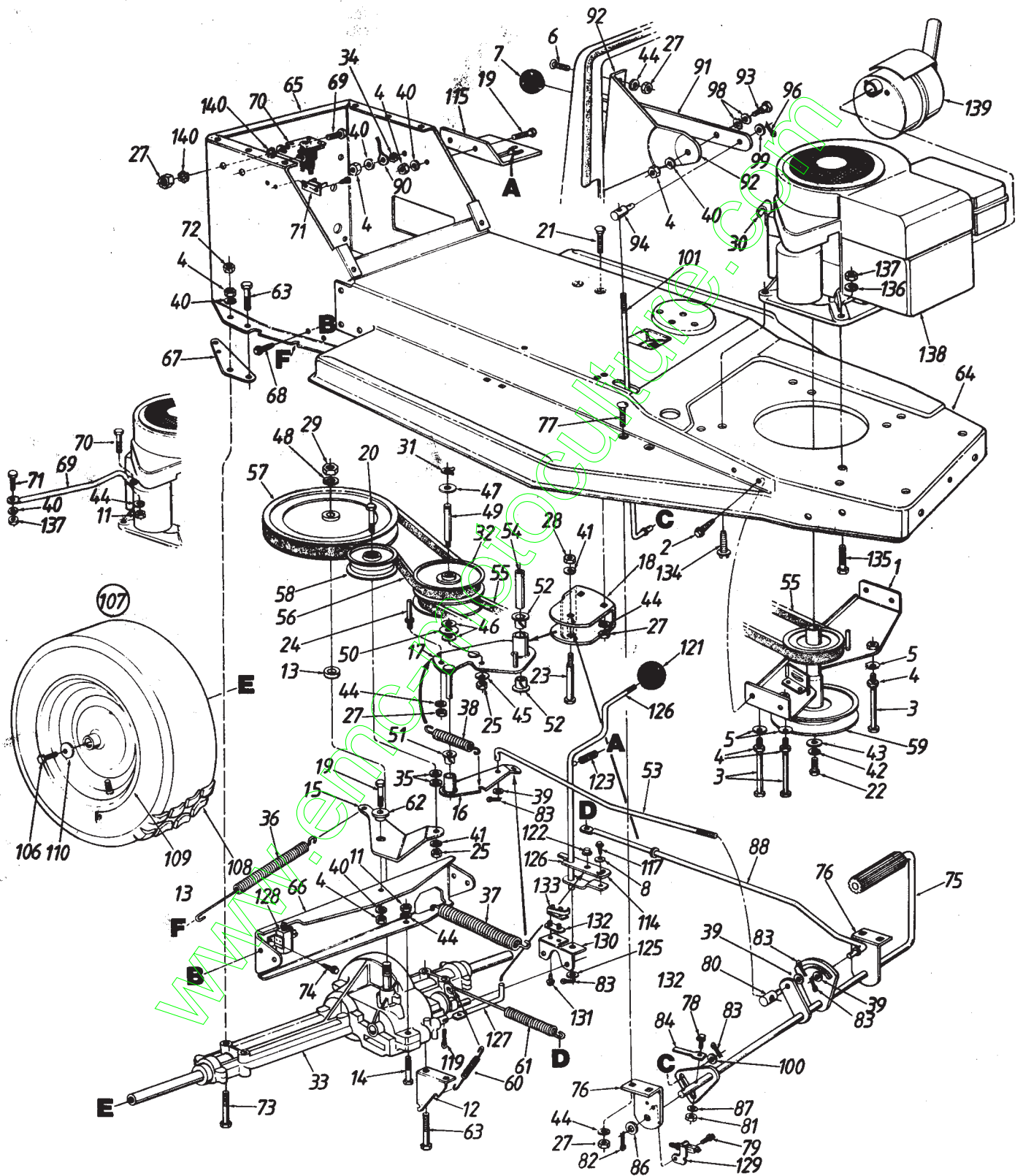
PARTS LIST FOR MODEL LT-11 (346) LAWN TRACTOR

REF. NO.	PART NO.	COLOR CODE	DESCRIPTION	NEW PART	REF. NO.	PART NO.	COLOR CODE	DESCRIPTION	NEW PART
1	14650		Front Axle Ass'y.—R.H.		27	741-0225		Hex Flange Brg. .634 Dia.	
2	16479		Front Axle Ass'y.—L.H.		28	747-0558		Tie Rod 18.37 Lg.	
3	16677		Steering Arm		29	750-0532		Spacer .985 I.D.	
4	710-0152		Hex Bolt 3/8-24 x 1" Lg.*		30	750-0535		Spacer .380 I.D.	
5	710-0538		Hex Bolt 5/16-18 x .62" (Spec.)		31	16657		Front Pivot Bar Support Brkt.	
6	710-0772		Hex Bolt 5/16-24 x 2" Lg.*		32	16658		Rear Pivot Bar Support Brkt.	
7	711-0198		Ferrule		33	17127		Pivot Bar Ass'y.	
8	711-0809		Steering Drag Link		34	710-0118		Hex Bolt 5/16-18 x .75" Lg.*	
9	712-0237		Hex L-Nut 5/16-24 Thd.		35	734-1422		Front Wheel Ass'y. Comp. 13 x 6	
10	712-0241		Hex Nut 3/8-24 Thd.			734-1421		Tire Only	
11	712-0267		Hex Nut 5/16-18 Thd.*		36	734-0997		Rim Ass'y. Only	
12	712-0711		Hex Jam Nut, 3/8-24		37	734-0255		Air Valve	
13	714-0470		Cotter Pin 1/8 Dia.		38	741-0487		Flange Bearing .632 I.D.	
14	717-0622		Steering Gear Segment		40	714-0111		Cotter Pin 3/32" Dia.	
15	723-3018		Drag Link Ball Joint 3/8-24 Thd.		41	736-0185		Fl-Wash. .406" I.D. x .75"	
16	726-0214		Push Cap		42	712-0123		Hex Nut 5/16-24 Thd.	
17	736-0119		L-Wash. 5/16" I.D.*		43	741-0501		Steering Column Brg.	
18	736-0169		L-Wash. 3/8" I.D.*		44	710-0837		Cr-Sunk Scr. #10 x 5/8" Lg.	
19	736-0187		Fl-Wash. .64" I.D. x 1.24"		45	731-0805		Steering Wheel	
20	736-0231		Fl-Wash. .344" I.D. x 1.125"		46	731-0220		Steering Wheel Cap	
22	736-0271		Spr. Wash. .32 I.D. x .62		47	731-0484		Hub Cap	
23	736-0285		Fl-Wash. .635 I.D. x 1.585		48	731-0559		Bellow Steering Column	
24	736-0319		Fl-Wash. .44 I.D. x 1.38		49	736-0242		Bell-Wash. .345 I.D. x .88	
25	738-0141		Shld. Bolt .437 Dia. x .350		50	712-0798		Hex Nut 3/8-16 Thd.*	
26	738-0730		Steering Shaft		51	738-0728		Shld. Bolt 1/2" Dia. x 2.32"	

*For faster service obtain standard nuts, bolts and washers locally.
If these items cannot be obtained locally, order by part number and size as shown on parts list.

LT-11

Model 346



LT-11

Model 346

PARTS LIST FOR MODEL LT-11 (346) LAWN TRACTOR

REF. NO.	PART NO.	COLOR CODE	DESCRIPTION	NEW PART	REF. NO.	PART NO.	COLOR CODE	DESCRIPTION	NEW PART
1	16670		Engine Pulley Belt Guard Ass'y.		60	732-0303		Extension Spring 3.18" Lg.	
2	710-0776		Hex AB-Tap Scr. 1/4 x .62"		61	732-0413		Extension Spring 7.08" Lg.	
3	710-0833		Hex Bolt 5/16-18 x 5 1/4" Lg.		62	748-0234		Shld. Spacer .500" Dia.	
4	712-0267		Hex Nut 5/16-18 Thd.*		63	710-0176		Hex Bolt 5/16-18 x 2.75" Lg.*	
5	736-0242		Bell-Wash. .345" I.D. x .88		64	16652		Front Frame	
6	710-0286		Truss-Mach. Scr. 1/4-20 x .50" Lg.*		65	16653		Rear Frame	
7	720-0165		Gear Shift Knob		66	16654		Transaxle Support Brkt.	
8	736-0270		Bell-Wash. .265" I.D. x .75		67	16659		Transaxle Brkt. Reinforcement	
9	723-0308		Foot Pad—R.H.		68	710-0726		Hex Wash. AB-Tap Scr. 5/16 x .75" Lg.	
10	723-0309		Foot Pad—L.H.		69	710-0258		Hex Bolt 1/4-20 x .62" Lg.*	
11	712-0138		Hex Nut 1/4-28 Thd.*		70	725-0771		Solenoid	
12	17128		Spring Retainer Brkt.		71	725-0459		Circuit Breaker	
14	710-0559		Hex Bolt 1/4-28 x 1.75" Lg.*		72	712-0158		Hex L-Nut 5/16-18 Thd.	
15	15891		Idler Bracket		73	710-0189		Hex Bolt 5/16-18 x 3.0" Lg.*	
16	16352		Variable Speed Torque Brkt. Ass'y.		74	710-0351		Truss Mach. B-Tap Scr. #10 x .50" Lg.	
17	16676		Variable Speed Brkt. Ass'y.		75	16689		Clutch/Brake Pedal Ass'y.	
18	16679		Variable Speed Pivot Brkt.		76	16691		Clutch/Brake Pedal Mounting Brkt.	
19	710-0118		Hex Bolt 5/16-18 x .75" Lg.*		77	710-0134		Carr. Bolt 1/4-20 x .62" Lg.	
20	710-0539		Hex Bolt 3/8-24 x 1 3/4" Lg. Gr. 5		78	710-0597		Hex Bolt 1/4-20 x 1.0" Lg.*	
21	710-0703		Carr. Bolt 1/4-20 x .75" Lg.		79	710-0599		Hex TT-Tap Scr. 1/4-20 x .5"	
22	710-0757		Hex Bolt 7/16-20 x 1.5" Lg.*		80	711-0198		Ferrule	
23	710-0937		Hex Bolt 3/8-16 x 2.5" Lg.*		82	714-0111		Cot-Pin 3/32" Dia. x 1.0" Lg.	
24	711-0768		Belt Guard Pin		83	714-0507		Cot-Pin 3/32" Dia. x .75" Lg.	
25	712-0241		Hex Nut 3/8-24 Thd.*		84	732-0435		Switch Actuator	
27	712-0287		Hex Nut 1/4-20 Thd.*		86	736-0256		FI-Wash. .635" I.D. x 1.0"	
28	712-0798		Hex Nut 3/8-16 Thd.*		88	747-0686		Brake Rod	
29	712-0922		Hex Jam Nut 1/2-20 Thd.		90	725-0976		Ground Wire 7.25" Lg.	
31	716-0114		Snap Ring		91	16663		Speed Selector Lever	
32	717-0800		Variable Speed Pulley Ass'y.		92	16694		7 Speed Selector Brkt.	
33	717-0775		Transaxle Complete		93	738-0141		Shld. Bolt .437" Dia. x .35" Lg.	
34	736-0607		Ext. L-Wash. 5/16" I.D.		94	711-0677		Ferrule	
36	732-0384		Extension Spring 6.12" Lg.		95	712-0267		Hex Nut 5/16-18 Thd.*	
37	732-0459		Extension Spring 7.5" Lg.		96	714-0104		Intern. Cot-Pin 5/16" Dia.	
38	732-0568		Extension Spring 2.59" Lg.		98	736-0119		L-Wash. 5/16 I.D.*	
39	736-0117		FI-Wash. .385" I.D. x .620"		99	736-0264		FI-Wash. .344" I.D. x .62"	
40	736-0119		L-Wash. 5/16" I.D.*		100	736-0463		FI-Wash. .25" I.D. x .62" O.D.	
41	736-0169		L-Wash. 3/8" I.D.*		101	747-0675		Speed Control Rod	
42	736-0171		L-Wash. 7/16" I.D.*		106	710-0627		Hex L-Bolt 5/16-24 x .75" Lg.	
43	736-0322		FI-Wash. .450" I.D. x 1.25"		107	734-1424		Rear Wheel Ass'y. Comp.	
44	736-0329		L-Wash. 1/4" I.D.*		108	734-1423		Turf Tread 16.0 x 7.50 Rear	
45	736-0331		Bell-Wash. .39" I.D. x 1.13"		109	734-1450		Rear Wheel Rim Ass'y.	
46	736-0355		FI-Wash. .56" I.D. x 1.0" O.D.		110	736-0242		Bell-Wash. .345" I.D. x .88"	
47	736-0414		Washer "Teflon" .565 I.D.		114	17178		Shift Lever Adjusting Link	
48	736-0921		L-Wash. 1/2" I.D.*		115	16482		Shift Lever Spring Brkt.	
49	738-0569		Shaft .56" Dia. x 3.875" Lg.		117	710-0289		Hex Bolt 1/4-20 x .50 Lg.*	
50	741-0405		Thrust Brg. 1.25 O.D.		119	714-0149		Intern. Cotter Pin	
51	741-0419		Flanged Nylon Brg.		121	720-0175		Ball Knob	
52	741-0495		Nylon Flanged Brg.		122	726-0231		Retaining Ring	
53	747-0688		Speed Control Link		123	732-0499		Compression Spring 1.5" Lg.	
54	750-0703		Spacer		125	736-0226		FI-Wash. .469" I.D. x .88"	
55	754-0280		V-Belt		126	747-0694		Shift Rod Ass'y.	
56	754-0281		V-Belt		127	747-0685		Shift Rod	
57	756-0374		1/2 V-Pulley .500" I.D. x 8.00"		128	725-0465		Safety Switch	
58	756-0437		Idler Pulley 3-1/8" Dia.		129	725-0577		Safety Switch	
59	756-0508		Dbl. Pulley 6.0" Dia. x 3.56"		130	17179		Shift Lever Support	

LT-11 Model 346

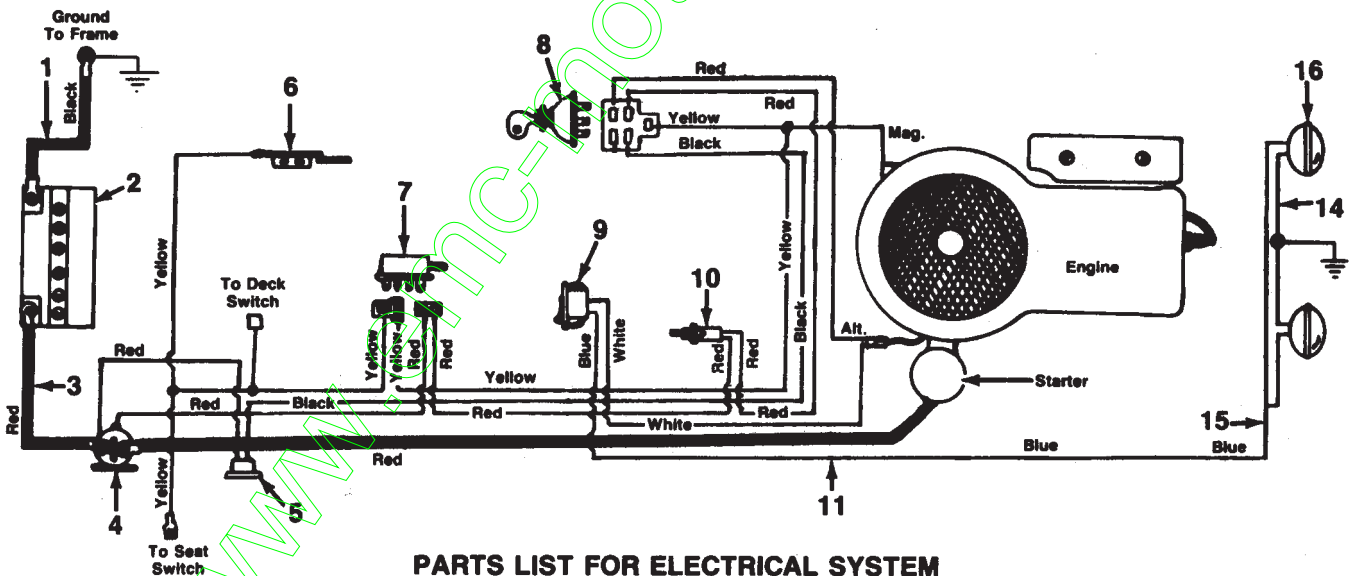
PARTS LIST FOR MODEL LT-11 (346) LAWN TRACTOR (CONTINUED)

REF. NO.	PART NO.	COLOR CODE	DESCRIPTION	NEW PART
131	710-0227		Hex Wash. Hd. #8 x .50" Lg.	
132	726-0222		Insulator Nut Plate	
133	725-0758		Spring Switch	
134	710-0502		Hex Wash. Hd. Tap Scr. 3/8-16 x 1.25" Lg.	
135	710-0672		Hex Bolt 5/16-24 x 1 1/4" Lg. Grade 5	
136	736-0119		L-Wash. 5/16" I.D.*	
137	712-0123		Hex Nut 5/16-24 Thd.*	
138	—		Engine	
139	†		Muffler	
140	736-0222		Ext. L-Wash. 1/4" I.D.	
141	736-0141		Wave Wash. .445" I.D.	

†MUFFLER CHART

Muffler	Mounting Hardware	
751-0450	Shoulder Bolt	738-0636
	Gasket	721-0208

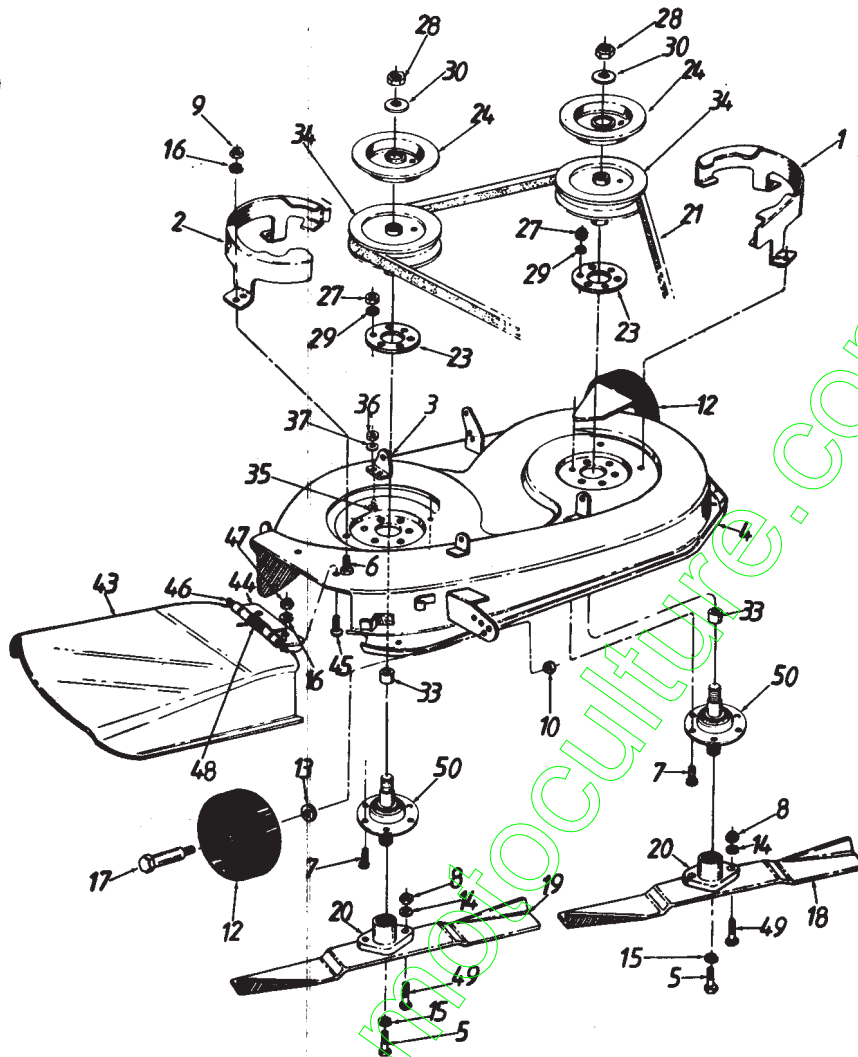
LT-11 Model 346



PARTS LIST FOR ELECTRICAL SYSTEM

REF. NO.	PART NO.	COLOR CODE	DESCRIPTION	NEW PART	REF. NO.	PART NO.	COLOR CODE	DESCRIPTION	NEW PART
1	725-0976		Ground Wire		9	725-0634		Light Switch	
2	725-0514		Battery		10	725-0577		Safety Switch (Black)	
3	725-0926		Electric Wire		11	725-1336		Harness (B&S)	N
4	725-0771		Solenoid			725-1337		Harness (Tecumseh)	N
5	725-0459		Circuit Breaker		14	725-0916		Ground Wire	
6	732-0420		Spring Switch		15	725-1243		Headlight Harness	
7	725-0465		Safety Switch		16	725-0222		Lamp	
8	725-0267		Key Switch		17	725-1303		Seat Switch (Not Shown)	N

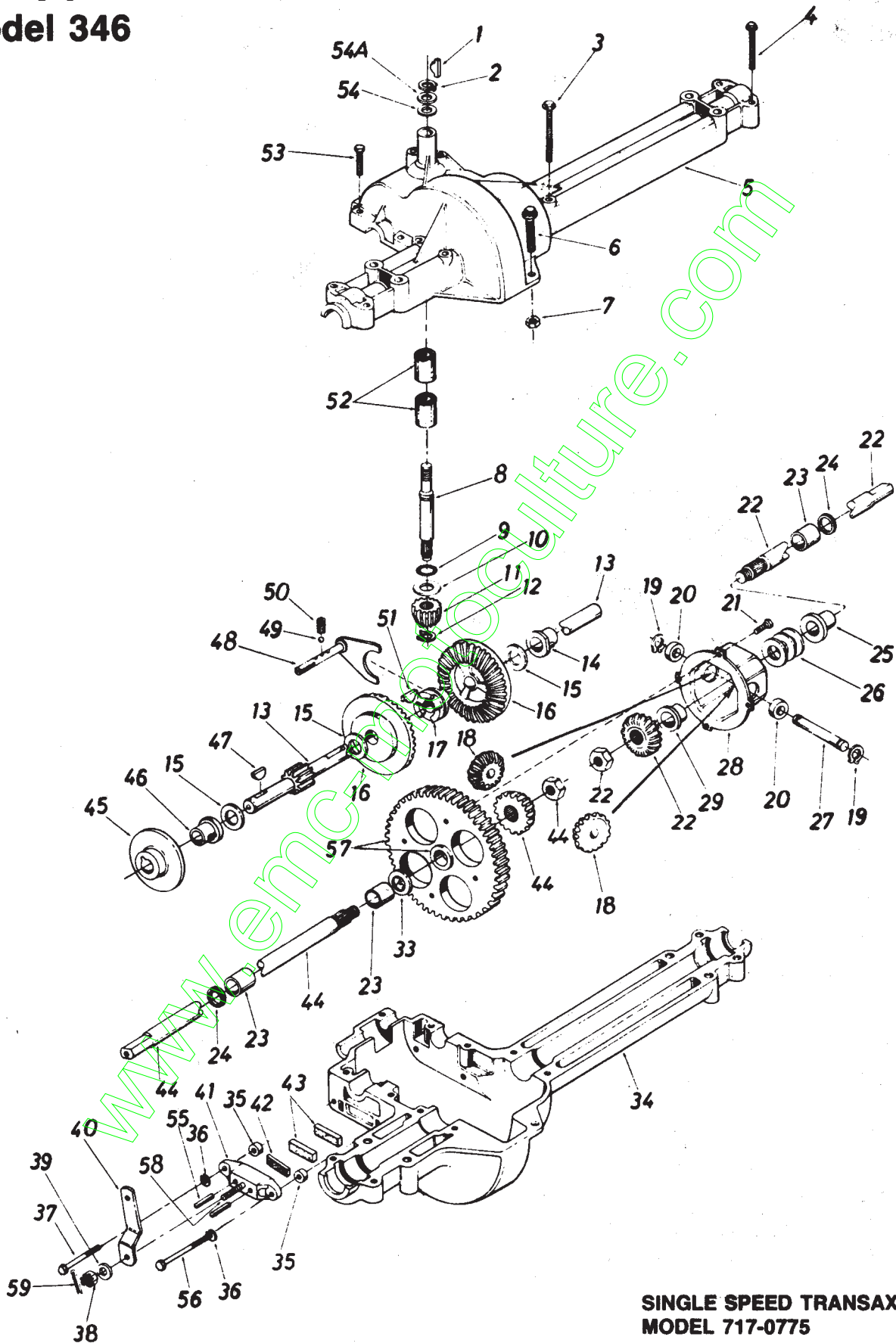
LT-11 Model 346



PARTS LIST FOR MODEL LT-11 (346) LAWN TRACTOR

REF. NO.	PART NO.	COLOR CODE	DESCRIPTION	NEW PART	REF. NO.	PART NO.	COLOR CODE	DESCRIPTION	NEW PART
1	16607		Belt Guard Deck—L.H.		21	754-0342		V-Belt	
2	16608		Belt Guard Deck—R.H.		23	09164		Reinforcement Plate	
3	16666		Rear Deck Brkt.—R.H.		24	09322		Brake Disc	
4	17101		32" Deck Ass'y.		27	712-0123		Hex Nut 5/16-24 Thd.*	
	17134		32" Deck Ass'y. Comp. (Service Only)		28	712-0318		Hex Jam Nut 5/8-18 Thd.	
5	710-0152		Hex Bolt 3/8-24 x 1.0" Lg.		29	736-0119		L-Wash. 5/16" I.D.	
6	710-0195		Hex Bolt 1/4-28 x .62" Lg.		30	736-0158		L-Wash. 5/8" I.D.	
7	710-1012		Rib Neck Bolt		33	750-0456		Spacer	
8	712-0123		Hex Nut 5/16-24 Thd.*		34	756-0486		5" Dia. Pulley	
9	712-0138		Hex Nut 1/4-28 Thd.*		35	710-0258		Hex Scr. 1/4-20 x .62" Lg.*	
10	712-0181		Hex L-Nut 3/8-16 Thd.		36	712-0287		Hex Nut 1/4-20 Thd.*	
12	734-0973		Deck Wheel		37	736-0329		L-Wash. 1/4" I.D.*	
13	736-0105		Bell-Wash. .380" I.D. x .88		43	17136		Chute Ass'y.	
14	736-0119		L-Wash. 5/16" I.D.*		44	17137		Chute Bracket	
15	736-0217		L-Wash. 3/8" I.D. H.D.		45	710-0255		Truss-Mach. Scr. 1/4-20 x .75" Lg.	
16	736-0270		Bell-Wash. .265" I.D. x .75		46	711-0808		Hinge Pin	
17	738-0373		Shld. Bolt .498" Dia. x 1.53 Lg.		47	712-0298		Hex Jam Nut 1/4-20 Thd.	
18	742-0477		L.H. High-Lift Blade		48	732-0542		Torsion Spring 1.14" Lg.	
19	742-0480		R.H. High-Lift Blade		49	710-0888		Hex Bolt 5/16-24 x 1.0" Lg. (Special)	
20	748-0300		Blade Adapter		50	717-0900		Blade Spindle Complete	

LT-11 Model 346



SINGLE SPEED TRANSAXLE—L.H.
MODEL 717-0775

LT-11

Model 346

PARTS LIST FOR SINGLE SPEED TRANSAXLE LEFT HAND 717-0775

REF. NO.	PART NO.	COLOR CODE	DESCRIPTION	NEW PART	REF. NO.	PART NO.	COLOR CODE	DESCRIPTION	NEW PART
1	714-0129		#4 Hi-Pro Key 3/32 x 5/8" Dia.		34	717-0761		Lower Housing	
2	716-0115		Snap Ring .625" Shaft		35	750-0555		Spacer .53" O.D. x 3/8" Lg.	
3	710-0854		Hex Bolt 1/4-20 x 1.75" Lg.*		36	736-0329		L-Wash. 1/4" I.D.*	
4	710-0378		Hex Bolt 5/16-18 x 2.5"		37	710-0886		Hex Bolt 1/4-20 x 1.50" Lg. (Grade 5)	
5	717-0764		Upper Housing		38	712-0335		Castle Nut 5/16-24 Thd.	
6	710-0889		Hex FI-Bolt 1/4-20 x .88" Lg.*		39	736-0159		FI-Wash. .344" I.D. x .875" O.D.	
7	712-0287		Hex Nut 1/4-20 Thd.*		40	717-0772		Actuating Arm	
8	717-0634		Input Shaft		41	717-0679		Brake Yoke	
9	721-0178		Square Seal 5/8" I.D.		42	717-0682		Puck Plate	
10	736-0335		Thrust Washer 5/8" I.D. x 1.25" O.D.		43	717-0678		Brake Puck	
11	717-0633		Pinion Input 14T		44	717-0765		Axle L.H. Ass'y.—Kit	
12	716-0108		Retaining Ring 7/16" Ext.		45	717-0677		Brake Disc	
13	717-0768		Drive Shaft		46	741-0337		Flange Bearing 5/8" I.D. x 15/16" Lg.	
14	741-0336		Flange Brg. 5/8" I.D. x 3/4" Lg.*		47	714-0161		Woodruff Key 3/16 x 5/8 HT	
15	**		FI-Wash. (See Below)		48	717-0754		Shift Fork Ass'y.	
16	717-0757		Bevel Gear 42T		49	741-0862		Ball Detent .250" Dia.	
17	717-0667		Clutch Collar		50	732-0863		Spring Detent	
18	717-1020		Miter Gear 15T (H.D.)		51	714-0169		#9 Hi-Pro Key 3/16" x 3/4" Dia. HT	
19	716-0142		Snap Ring		52	741-0335		Needle Brg. 5/8" I.D. x 1/2" Lg.	
20	717-0690		Thrust Bearing 1/2" I.D. x 1.0" O.D.		53	710-0855		Hex Bolt 1/4-20 x 1.00" Lg.	
21	710-0862		Pan Head Scr. 1/4-20 x .50" Lg. w/Patch		54	736-0336		FI-Wash. 5/8" I.D. x .030	
22	717-0766		Axle R.H. Ass'y.—Kit		54A	736-0337		FI-Wash. 5/8" I.D. x .040	
23	741-0340		Sleeve Bearing 3/4" I.D. x 1.0" Lg.		55	741-0343		Actuating Pin 5/16" Dia.	
24	721-0179		Oil Seal 3/4" I.D.		56	710-0966		Hex Bolt 1/4-20 x 2.50" Lg. (Grade 5)	
25	741-0339		Flange Bearing 3/4" I.D. x 15/16" Lg.		57	717-0767		Differential Gear 72T Ass'y. w/Bearing	
26	736-0188		FI-Wash. .760" I.D. x 1.49" O.D.		58	717-0681		Sq. Hd. Bolt 5/16-24 Thd.	
27	717-0673		Cross Shaft		59	1544-013		Cotter Pin 3/32" Dia. x .50" Lg.	
28	717-0777		Differential Housing Ass'y.					Grease—Shell (10 oz.)	
29	—		Part of Ref. 28						
33	736-0188		FI-Wash. .760" I.D. x 1.49" O.D.			737-0148			

**Ref. No. 15 736-0349 FI-Wash. 5/8" I.D. x 1.0" O.D. x .020" Thk.
736-0336 FI-Wash. 5/8" I.D. x 1.0" O.D. x .030" Thk.
736-0337 FI-Wash. 5/8" I.D. x 1.0" O.D. x .040" Thk.