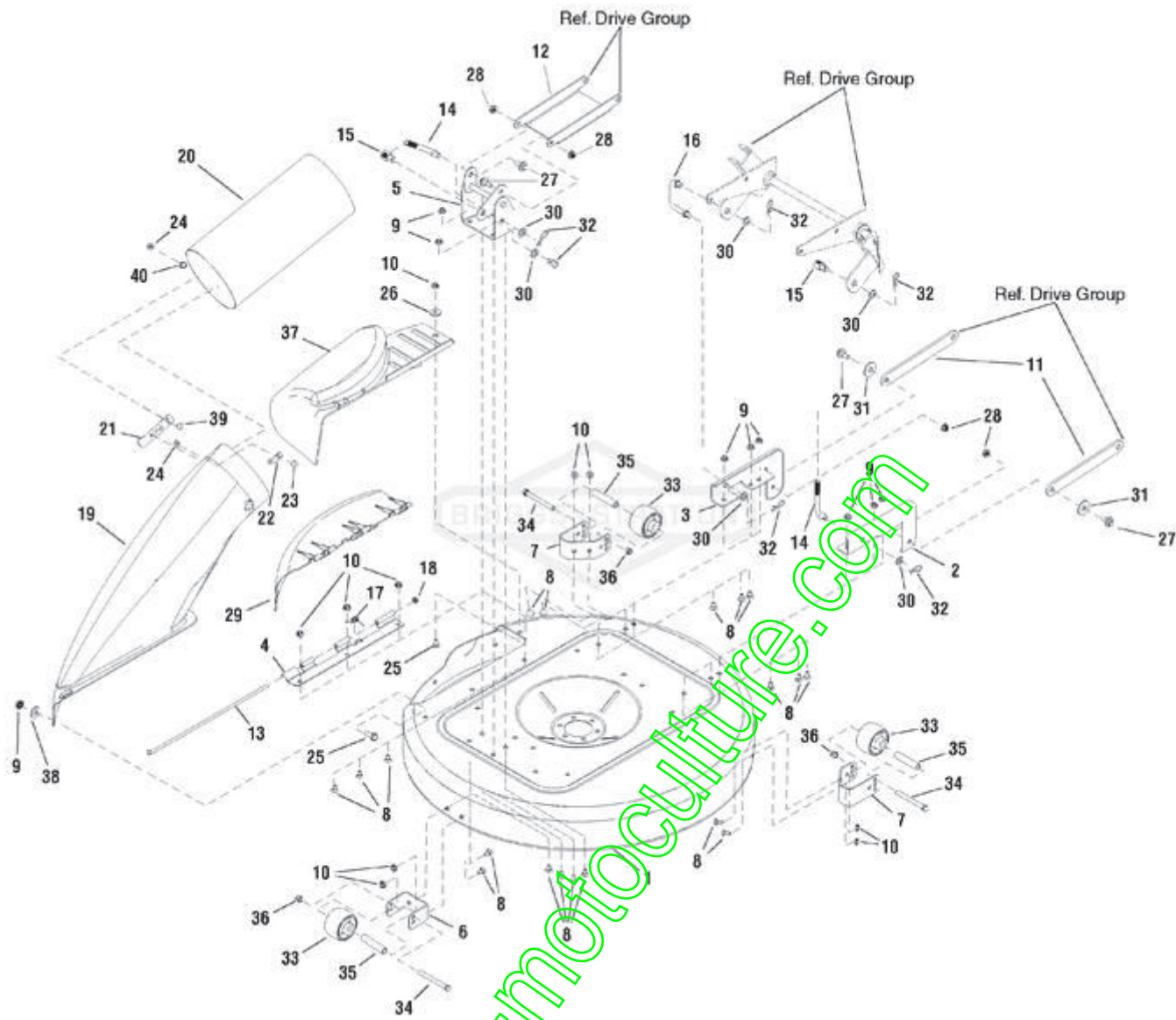
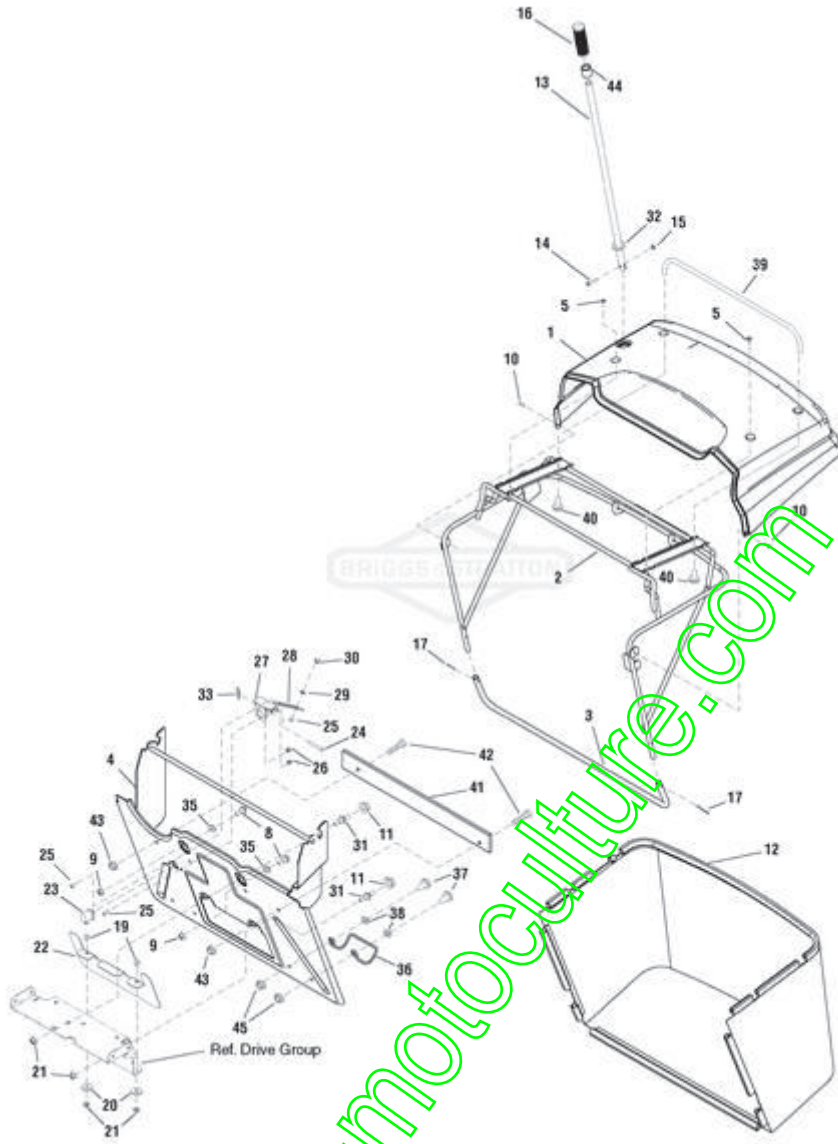


Ref #	Part #	Description	Qty	Context Note	Foot Note
1	720145	NUT, 5/16-18	2		
2	885286	BOLT, 5/16-18 x 2.0	1		
3	885309D	BLADE, Idler Bracket	1		
5	721293	BELT GUIDE	1		
7	7502343BM	SPINDLE ASSY	1		
8	722009	IDLER PULLEY	1		
9	7019523	BLADE, 33"	1		
10	885019	PULLEY, 33" Input	1		
11	7038018D	BRACE, Spindle	1		
12	7010740	RING, Retaining	2		
13	7012670	TOLERANCE RING	1		
14	7014407	WASHER, Spindle	2		
15	885078A	BELT GUIDE, Long	1		
16	720148	NUT, Flange 3/8-16	1		
17	7074467	NUT, Hex, Jam, 3/4F GR8	1		
18	720027	BOLT, Hex 3/8-16 x 3/4	10		
19	7091619	NUT, Hex Flange, 3/8-16	4		
20	720142	NUT, Centerlock, 3/8-16	6		
21	885018	BELT, 33" Blade Drive	1		
23	7090559	NUT, Hex Jam, 1/2-20	2		
24	7090509	WASHER, 1/2" Internal Tooth Lock	2		
25	7090356	NUT, Hex Center Lock Jam, 5/8-18	1		
26	885054D	33" AIR DIE	2		
27	7090228	SCREW, Oval Head, 5/16 - 24 x 21/32	6		
28	7090391	WASHER, 5/16" Internal Tooth Lock	6		
29	7091297	NUT, Hex, 5/16 - 24	6		
30	720139	NUT, Hex Flange 5/16-18	1		
31	885344BZ	HOLDER, Blade	1		
32	7090491	CAPSCREW, Hex Head, 1/2-20 x 1-1/4, GR5	2		
34	7032028	WASHER, 25/32 x 1.5 x .132	1		
35	885221	SPRING, Extension PTO	1		
36	720049	BOLT, Carriage, 3/8-16 x 5/8	4		
37	885133D	GUARD, L.H.	1	(France)	
38	885354D	GUARD, R.H.	1	(France)	
39	885345A	STIFFENER	1		
40	885353A	BRACE, R.H.	1		
41	885287A	BRACE, L.H.	1		
42	1930591	CAPSCREW, Hex Whiz Lock, 5/16-18 x 3/4	3		



Copyright © Briggs & Stratton, LLC. All rights reserved.

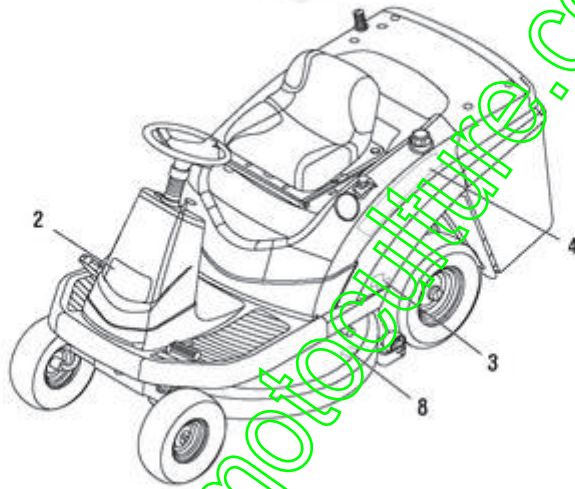
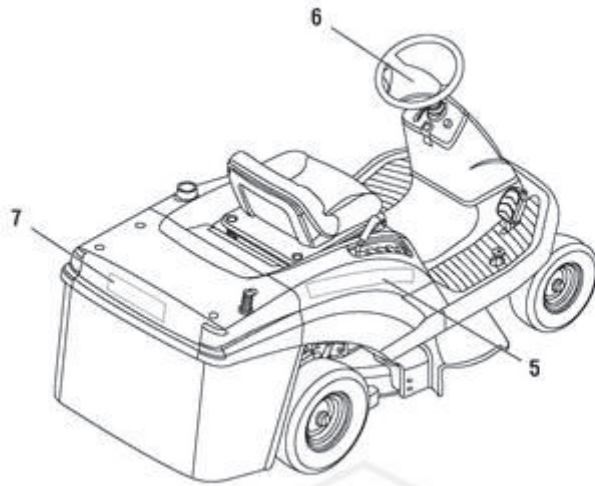
Ref #	Part #	Description	Qty	Context Note	Foot Note
1	885232D	BLADE HOUSING KIT, 33"	1	(Kit Includes Safety Decals)	
2	885045D	BRACKET, Top Deck LH	1		
3	885047D	BRACKET, Top Deck RH	1		
4	885094D	HINGE, Mulching Cover	1		
5	885352D	FRONT DECK ADJUSTMENT ASSY	1		
6	7033570D	ANTI SCALP BRACKET, Front	1		
7	7033571D	ANTI SCALP BRACKET, Rear	2		
8	720049	BOLT, Carriage 5/16-18 x 5/8	19		
9	720139	NUT, Hex Flange, 5/16-18	13		
10	720145	NUT, Hex Flange Centerlock 5/16-18	9		
11	885039D	ARM, Rear	2		
12	885052D	HANGER, Front	1		
13	7026234	ROD DEFLECTOR	1		
14	885348	ROD, Lift Link	2		
15	885115	ADJUSTING NUT	2		
16	885349	LIFT ROD, Fixed	1		
17	885227	SPRING, Deflector	1		
18	7026483	PUSH CAP	1		
19	885005	REAR DISCHARGE CHUTE	1		
20	885066	CHUTE EXTENSION, Upper	1		
21	720552	RUBBER STRAP	1		
22	720543	PIN	1		
23	720048	BOLT, Carriage 1/4-20 x 5/8	1		
24	720146	NUT, Hex Flange Lock, 1/4-20	1		
25	720053	BOLT, Carriage, 5/16-18 x 3/4	3		
26	720166	WASHER, Flat, .41	1		
27	720104	BOLT, Shoulder, 3/8-16 x 1.10	4		
28	720142	NUT, Hex Flange, 3/8-16	4		
29	885016	MULCH COVER	1		
30	722578	WASHER, 1/2 x 7/8	6		
31	722585	WASHER, 1/2 x 1-1/2	2		
32	720069	HAIRPIN	6		
33	7019190	WHEELS, Anti Scalp	3		
34	7091532	CAPSCREW, Hex Head, 3/8-24 x 3/4, GR5	3		
35	7015272	SPACER, 3" Long	3		
36	7091518	NUT, Hex Nyloc, 3/8-24	3		
37	885093	DEFLECTOR, Chute	1		
38	722580	FLAT WASHER, 25/64 ID x 1" OD x 14 GA.	2		
39	720076	BOLT, 1/4-20 x 1	1		
40	720132	NUT, Keps Lock 1/4-20	1		



Ref #	Part #	Description	Qty	Context Note	Foot Note
1	885008	BAGGER COVER (Red)	1		
2	885247BM	BAG FRAME ASSY	1		
3	885099BM	BAG FRAME, Lower	1		
4	885336BM	REAR PLATE ASSY	1		
5	885131	SCREW, Self Tap	4		
8	1920415	CAPSCREW, 3/8-16 x 1 1/4	2		
9	720606	NUT, 3/8-16	2		
10	885129	SCREW, Flat Head 10-3/4	2		
11	720139	NUT, Flange, 5/16-18	2		
12	885357	BAG	1		
13	885244BM	HANDLE, Bagger	1		
14	720033	SCREW, 1/4-20 x 1.25	1		
15	720146	NUT, Hex Flange Lock, 1/4-20	1		
16	721994	GRIP	1		
17	720387	COTTER PIN	2		
19	720049	BOLT, Carriage, 3/8-16 x 5/8	2		
20	720609	WASHER, 0.406 x 1 1/4	2		
21	720145	NUT, 5/16-18	2		
22	722004	BAFFLE, Rubber	1		
23	1720411	SWITCH, Bag Full	1		
24	1960607	PIN	1		
25	720057	BOLT, Carriage, 1/4-20 x 5/8	3		
26	722393	NUT, Hex, 1/4-20	2		
27	885234BM	BRACKET, Bag Full	1		
28	885235BM	LEVER, Bag Full Indicator	1		
29	720159	WASHER, .26 X .75 X 16GA	1		
30	720123	WINGNUT	1		
31	885065	SCREW, Self Tapping, 5/16-18 x 1.13	2		
32	722620	WASHER, Flat 1.862 x .765 x 16GA	1		
33	1960221	HAIRPIN	1		
35	722580	WASHER, .39-1.14	2		
36	727447	LATCH, Spring	1		
37	1930591	CAPSCREW, Hex Whiz Lock Flange, 5/16-18 x 3/4	2		
38	722614	WASHER, .391 x 0.62 x .03	2		
39	885251BM	HANDLE, Bagger	1		
40	723210	SCREW, 1/4 - 20 x 5/8	2		
41	885276BM	BRACE	1		
42	1922605	CAPSCREW, Hex Head, 3/8-16 x 1-1/4	2		
43	720134	NUT, 3/8-16	2		
44	885355YP	HEIGHT ADJUSTER	1		
45	720139	NUT, Hex Flange Serrated, 5/16-18	4		
--	885284	SERVICE KIT, Bag Frame Assembly	1	(Includes Ref Nos. 2, 13, 39, 40)	

Ref #	Part #	Description	Qty	Context Note	Foot Note
--	885285	SERVICE KIT, Rear Plate Assembly	1	(Includes Ref Nos. 4, 11, 35, 36, 37, 38)	

www.emc-motoculture.com

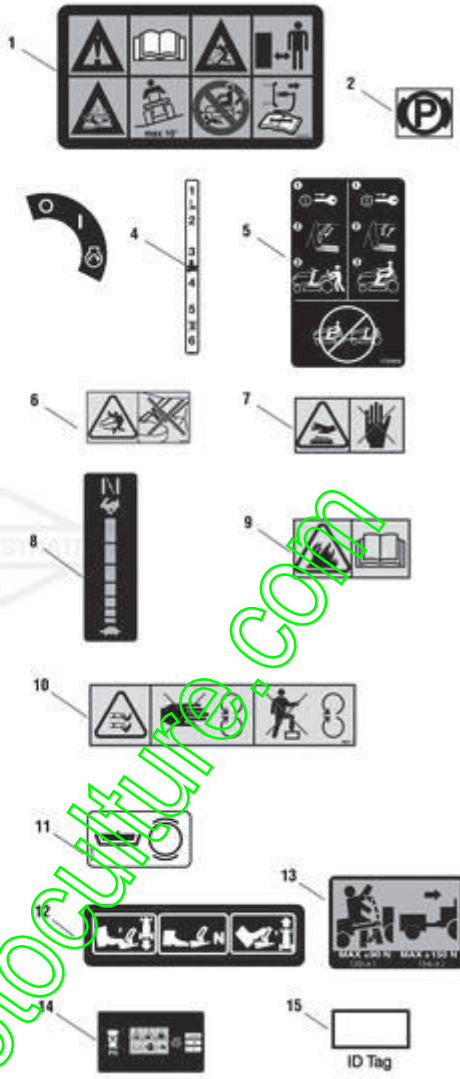
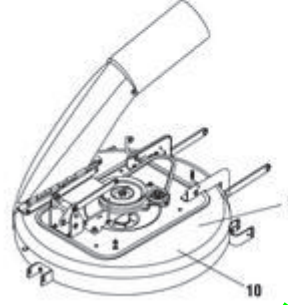
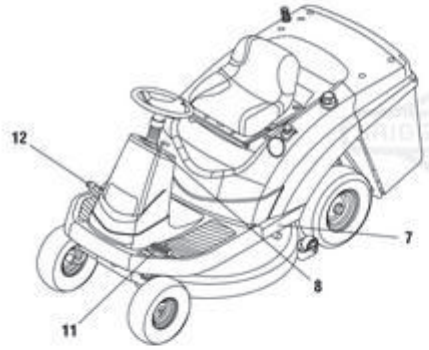
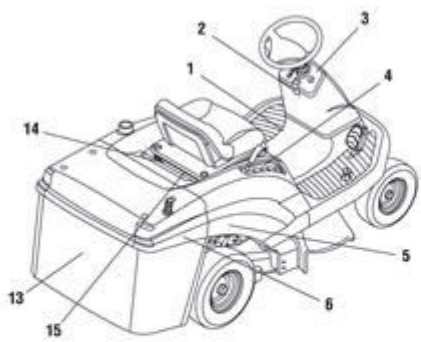


Copyright © Briggs & Stratton, LLC. All rights reserved.

www.emc-motorequipment.com

Ref #	Part #	Description	Qty	Context Note	Foot Note
2	885199	DECAL, Nose, Snapper	1		
3	885197	DECAL, Snapper 15.5 HP	2	(15.5HP Models Only)	
3	885198	DECAL, Snapper 17.5 HP	2	(17.5HP Models Only)	
4	885200	DECAL, Stripe, LH	1		
5	885201	DECAL, Stripe, RH	1		
6	885255	DECAL, Steering Wheel Insert	1		
7	5101445	DECAL, Bagger Cover	1		
8	885196	DECAL, Deck Width	1		

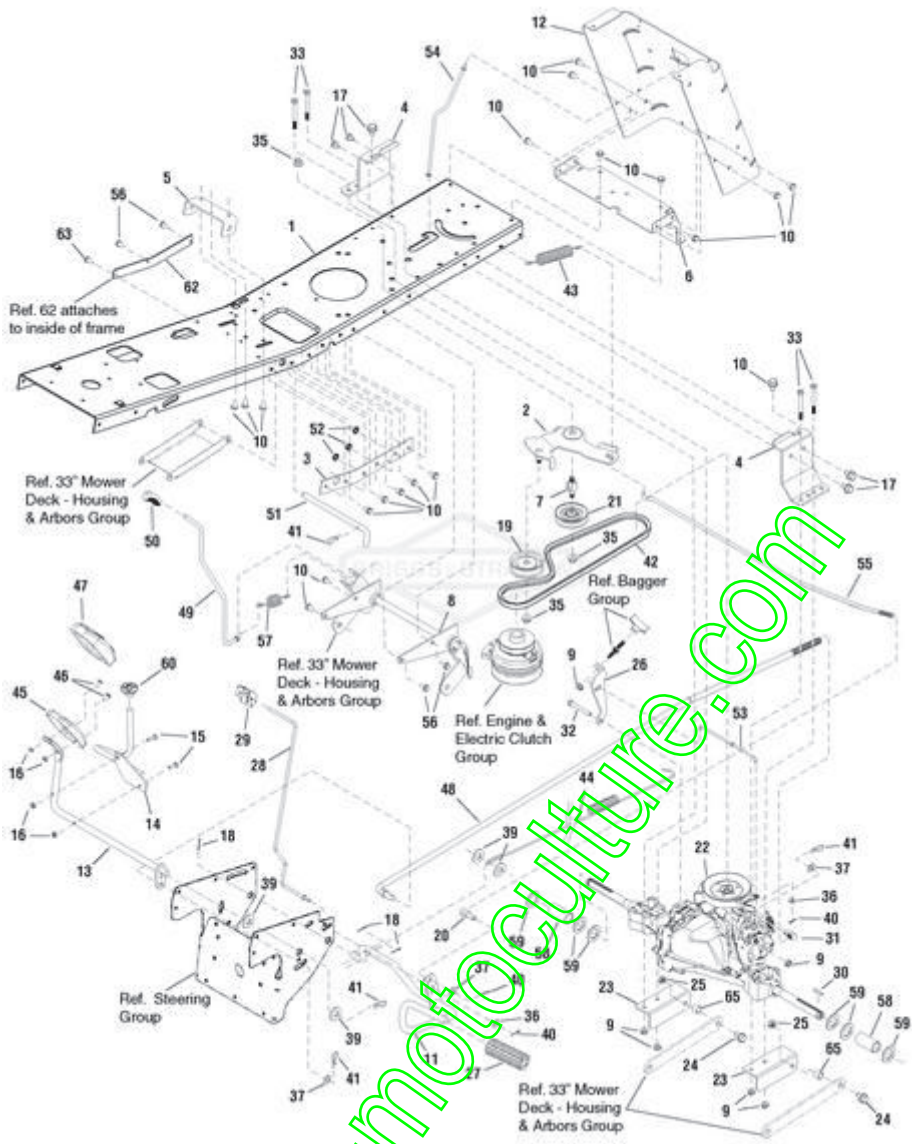
www.emc-motoculture.com



www.emc-motoculture.com

Ref #	Part #	Description	Qty	Context Note	Foot Note
1	1734027	DECAL, Operating Instructions	1		
2	724281	DECAL, Parking Brake	1		
3	1722806	DECAL, Ignition Switch	1		
4	885253	DECAL, Cutting Height	1		
5	1723425	DECAL, Roll Release	1		
6	1721107	DECAL, Discharge Tube	1		
7	885216	DECAL, Hot Surface	1		
8	885171	DECAL, Throttle Control	1		
9	885218	DECAL, Fire Hazard	1		
10	885217	DECAL, Sever Hazard	1		
11	729695	DECAL, Brake/Clutch	1		
12	885169	DECAL, Speed Control	1		
13	729677	DECAL, Draw Bar Load	1		
14	885814	DECAL, Battery	1	(Used on Model 7800677 only)	
15		ID TAG	1	(Not a serviceable part)	

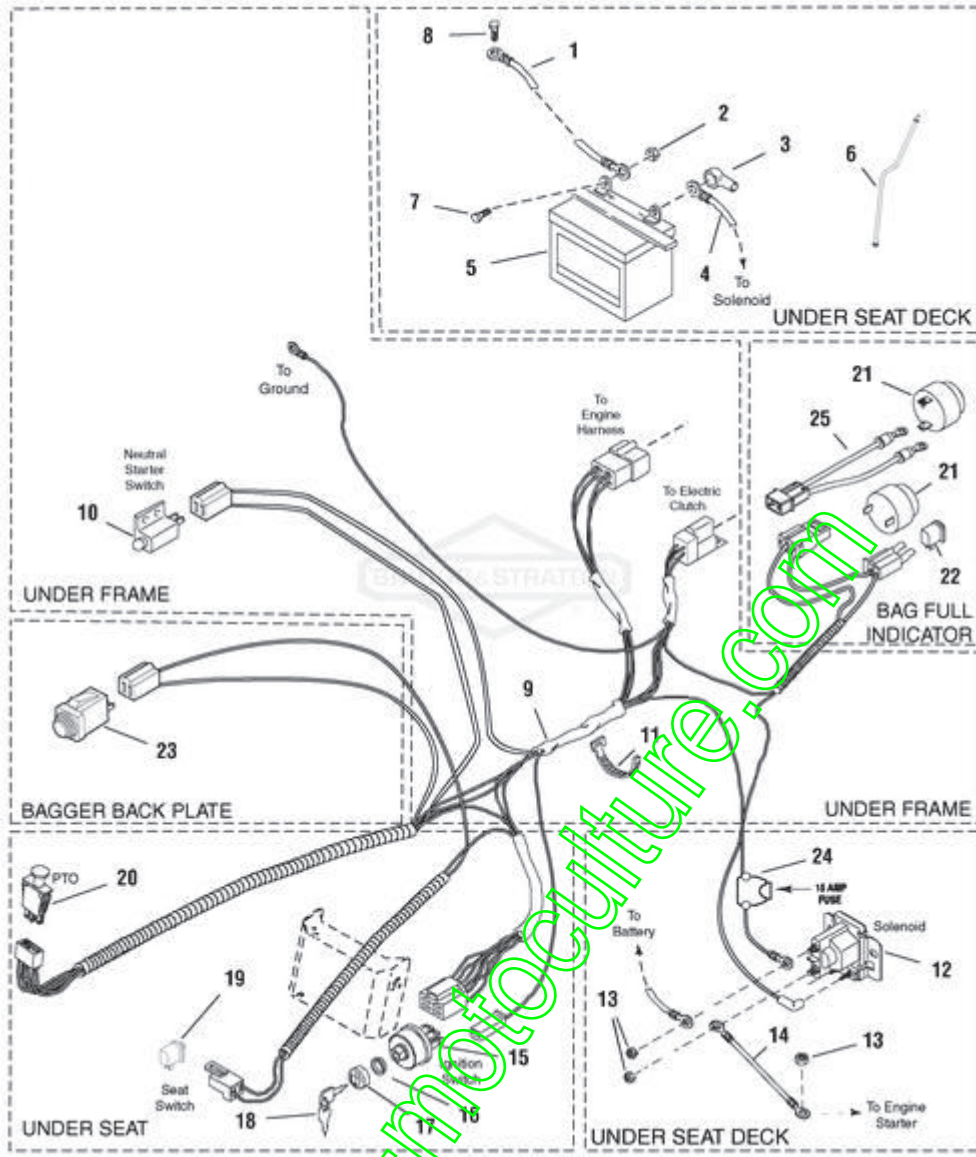
www.emc-motoculture.com



Copyright © Briggs & Stratton, LLC. All rights reserved.

Ref #	Part #	Description	Qty	Context Note	Foot Note
1	885058A	FRAME	1		
2	885069BM	IDLER PULLEY ARM ASSY	1		
3	885338AYP	REINFORCEMENT PLATE, L.H.	1		
4	885034A	BRACKET, Transaxle	2		
5	726515A	BRACKET, Front Hanger Pivot	1		
6	727241A	PLATE, Hitch	1		
7	885064	IDLER STUD	1		
8	885230BM	LIFTER ASSEMBLY	1		
9	720145	NUT, Hex Flange Lock, 5/16-18	1		
10	722858	CAPSCREW, 5/16-18 x 3/4	19		
11	885068BM	CLUTCH & BRAKE PEDAL ASSEMBLY	1		
12	885269BM	PLATE, Rear	1		
13	885070A	HYDRO ARM ASSY	1		
14	885089BM	REVERSE PEDAL ASSY	1		
15	720065	BOLT, Carriage, 1/4 - 20 x 1	2		
16	720133	NUT, Centerlock, 1/4- 20	4		
17	720358	SCREW, 5/16-18 x 1/2	5		
18	720389	PIN, Cotter	3		
19	722031	IDLER PULLEY, Backside	1		
20	721354	NUT, Adjusting	1		
21	722009	IDLER PULLEY, Fixed	1		
22	885030	*TRANSMISSION, Hydro Gear	1		*For parts and service, contact transmission manufacturer
23	885053BM	REAR HANGER BRACKET, R.H.	2		
24	885340	PIN, Threaded Shoulder, 3/8-16 x 1- 1/2	2		
25	720142	NUT, Hex Flange 3/8- 16	2		
26	885031BM	TORQUE STRAP BRACKET	1		
27	720257	PEDAL, Clutch and Brake	1		
28	885104	ROD, Parking Brake	1		
29	885026	KNOB, Parking Brake	1		
30	720650	KEY, Square	2		

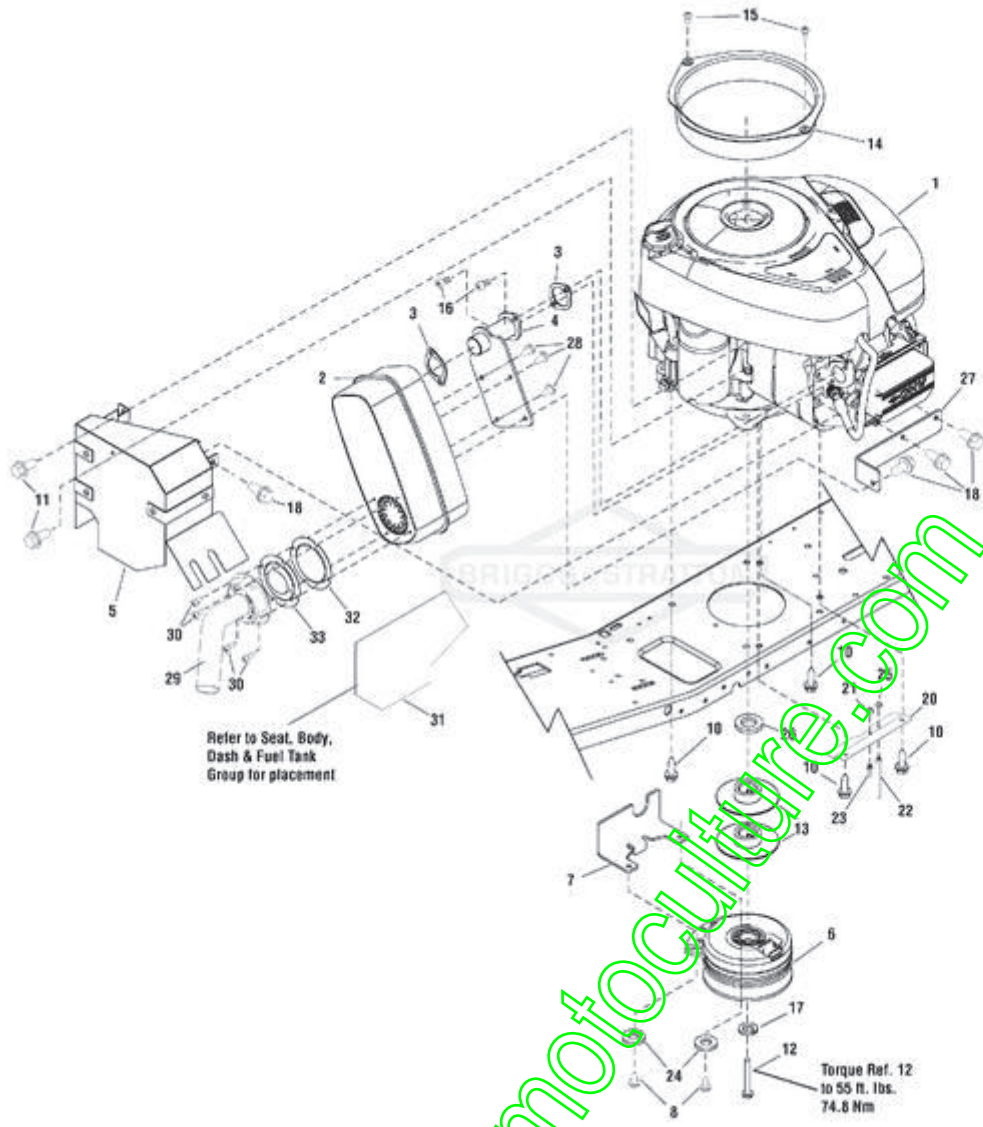
Ref #	Part #	Description	Qty	Context Note	Foot Note
31	885076	NUT, Adjusting	1		
32	720215	BOLT, Hex, 5/16-18 x 2-1/2	1		
33	720216	BOLT, Hex-Head 5/16-18 x 3	4		
35	720148	NUT, Flange Lock, 3/8-16	3		
36	720159	WASHER, Flat, 3/4	2		
37	720166	WASHER, Flat 3/8	3		
39	727938	WASHER, 0.641 x 1.38	4		
40	720387	PIN, Cotter, 3/4	3		
41	720069	HAIR PIN, .56D-.092T	5		
42	885015	BELT, Drive, 33"	1		
43	722446	SPRING, Extension	1		
44	885017	Spring, Brake Extension	1		
45	885037BM	PEDAL, Hydro	1		
46	720048	BOLT, Carriage 1/4-20 x 5/8	2		
47	885086	PAD, Hydro Pedal	1		
48	885055	ROD, Shift Link	1		
49	885048	LEVER, Lift Deck	1		
50	727798	GRIP, .50 Black	1		
51	721979	PIN, Front Hanger	1		
52	720139	NUT, Hex Flange 5/16-18	4		
53	885059	ROD, Roll Release	1		
54	885095	ROD, Battery	1		
55	722027	ROD, Clutch Hydro	1		
56	722867	SCREW, Self Tap 5/16-18 x 7/8	1		
57	727619	SPRING, Extension	1		
58	725228	SPACER	2		
59	722598	WASHER, Flat, 3/4 x 1-1/4 x 16GA	6		
60	885228	PEDAL PAD, Hydro Reverse	1		
61	885282	SERVICE KIT, Lifter Assembly	1	(Not Illustrated, Includes Ref. Nos. 8 and 49)	
62	885337AYP	REINFORCEMENT PLATE, R.H.	1		
63	722866	CAPSCREW, Hex, 1/4-20 x 9/16	1		
65	885341YP	SPACER	2		



www.emc-motoculture.com

Ref #	Part #	Description	Qty	Context Note	Foot Note
1	885279	BATTERY CABLE, Negative, 17" - Black	1		
2	720123	WINGNUT, 1/4-20	2		
3	720588	BOOT, Battery, Positive	1		
4	720345	BATTERY CABLE, Positive, 12" - Red	1		
5		BATTERY, 12V, 195CCA, 7U1L	1		
6	885095	ROD, Battery	1		
7	720057	Bolt, Carriage 1/4-20 x .63	2		
8	722851	SCREW, 1/4-14 x 3/8	2		
9	885113	WIRE HARNESS	1		
10	721516	SWITCH, Limit	1		
11	720393	TIE STRAP	3		
12	721615	SOLENOID, 3 Pole	1		
13	722393	NUT, Nylock 1/4-20	3		
14	720348	CABLE, Battery 8GA 18" - Red	1		
15	721108	SWITCH, Ignition	1		
16	720889	NUT, Ignition Switch	1		
17	727338	CAP, Ignition Switch	1		
18	7102329	KEY, Ignition	1		
19	885307	SWITCH, Seat	2		
20	1722887	SWITCH, PTO	1		
21	1720117	BUZZER, Bag Full Indicator	1		
22	1720411	SWITCH, BAG FULL	1		
23	727831	BAGGER SWITCH	1		
24	722977	FUSE, 15 Amp	1		
25	885248	HARNESS, Buzzer Connector	1		
26	885283	SERVICE KIT Buzzer and Harness	1	(Includes Ref Nos. 21 and 25)	

www.emc-motoculture.com

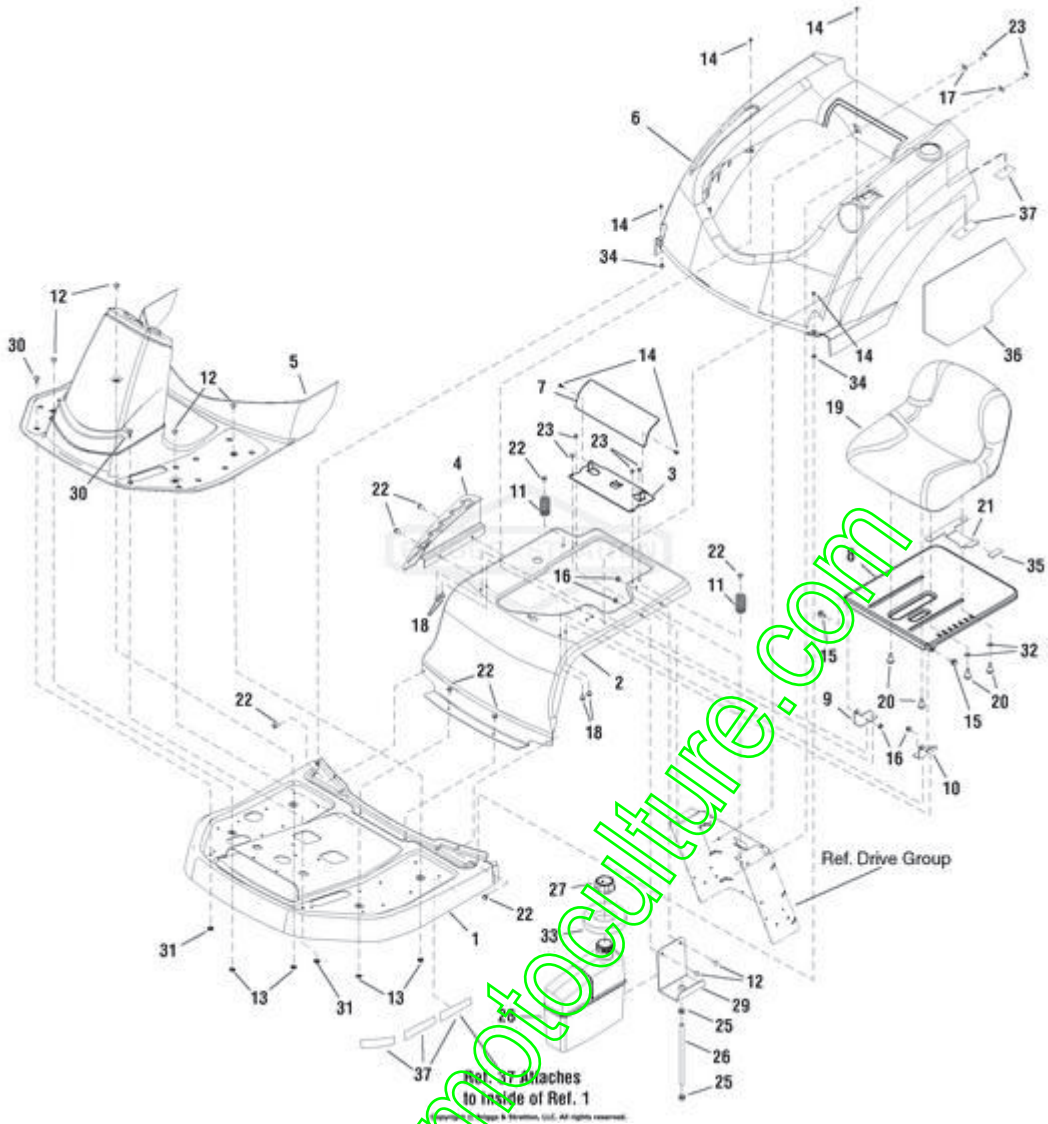


www.emc-motoculture.com

Ref #	Part #	Description	Qty	Context Note	Foot Note
1	31A677-0136-B1	* ENGINE, Briggs & Stratton, 15.5HP	1	(Engine Model: 31A677-0136- B1)	Note* See your local Briggs & Stratton distributor for parts and service.
1	31A677-0153-B1	* ENGINE, Briggs & Stratton, 17.5HP	1	(Engine Model: 31A677-0153- B1)	Note* See your local Briggs & Stratton distributor for parts and service.
-	720393	TIE, Strap, 5.38 Long	3		
2	885271	MUFFLER	1		
3	720881	* GASKET 272293	2		Note* See your local Briggs & Stratton distributor for parts and service.
4	885265BM	ADAPTOR, Muffler	1		
5	885260	HEAT SHIELD ASSEMBLY	1		
6	885107	ELECTRIC CLUTCH	1		
7	885056BM	TORQUE STRAP, Electric PTO	1		
8	722858	CAPSCREW, 5/16-18 x 3/4	2		
10	720045	BOLT, 3/8-16 x 1-1/4	4		
11	720664	SCREW (Hex Head 5/16-18 x 5/8	2		
12	1960370	CAPSCREW, Hex, 7/16-20 x 2- 1/2, G5	1		
13	885161	STACK PULLEY	2		
14	885063	BAFFLE, Engine	1		
15	720095	SCREW, Shoulder #10-24	2		
16	720663	SCREW, Torx Head 5/16-18 x 5/8	2		
17	1918199	LOCKWASHER, Spring 7/16	1		
18	720042	SCREW, Thread Forming, 1/4-20 x 1	4		
20	885041BM	PLATE, Belt Guide	1		
21	720139	NUT, Flange, 5/16-18	1		
22	885078BM	GUIDE, Belt Long	1		

Ref #	Part #	Description	Qty	Context Note	Foot Note
23	885077BM	GUIDE, Belt Short	1		
24	720163	WASHER, Flat, 5/16	2		
25	720146	NUT, Hex Flange Lock, 1/4-20	1		
26	885243	WASHER, 1.75 x 1.04 x 0.15	1		
27	885268BM	BRACKET, Muffler Support	1		
28	720041	SCREW, 1/4-20 x 1/2	3		
29	885266BM	DEFLECTOR, Muffler	1		
30	729075	SCREW, 10-24 x 1/2	4		
31	885278	HEAT SHIELD	1		
32	227477	SCREEN, Spark Arrester, Flat	1		
33	227478	SCREEN, Spark Arrester, Formed	1		

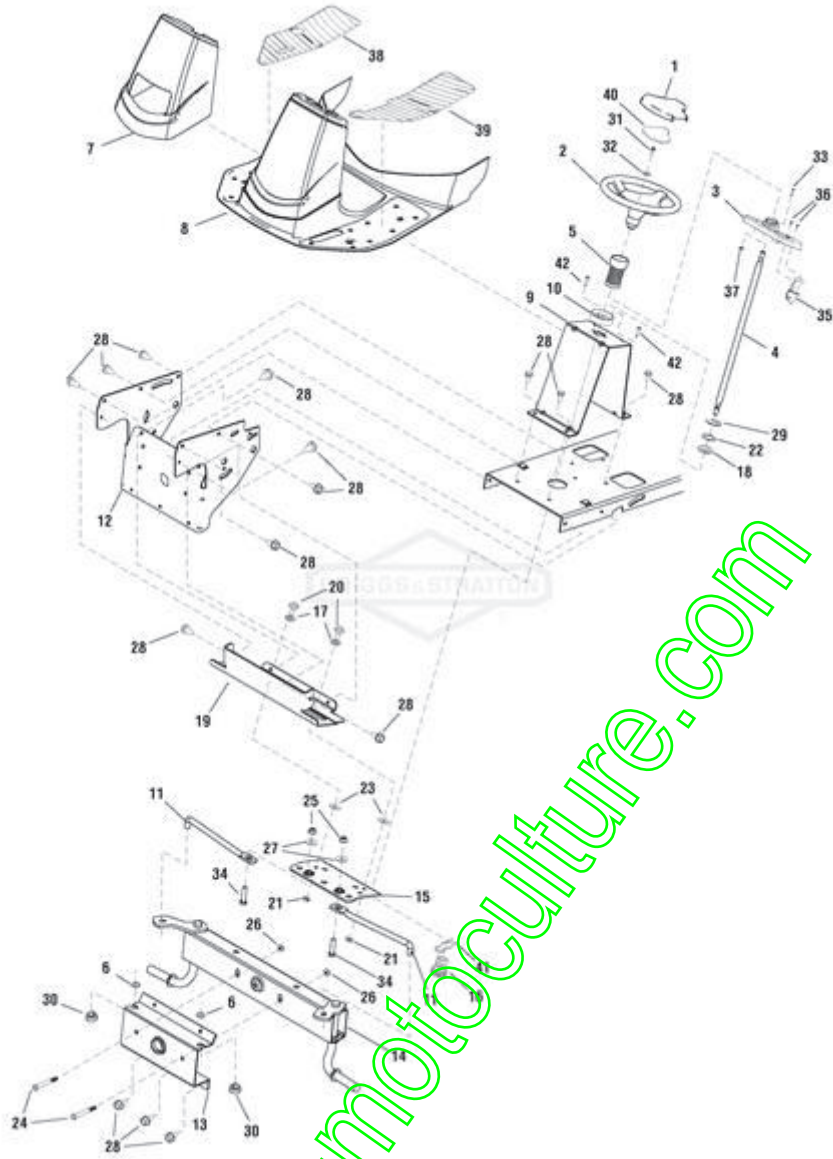
www.emc-motoculture.com



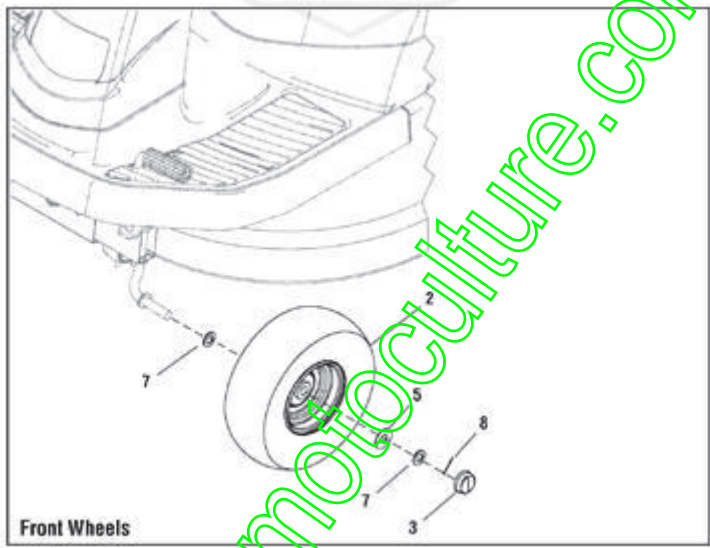
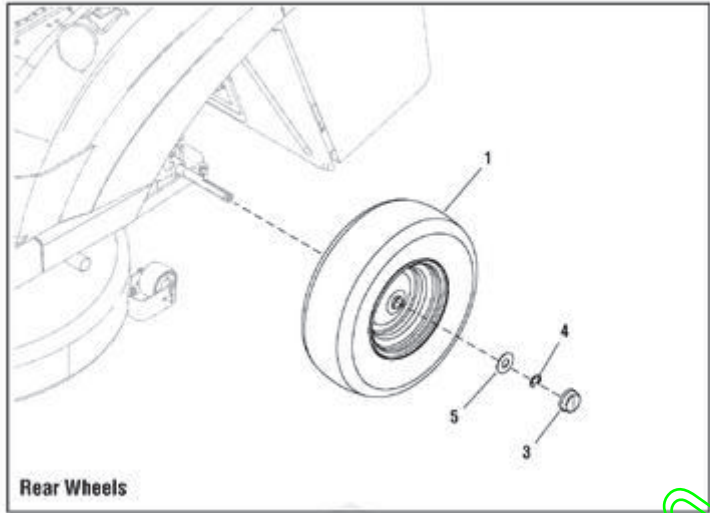
Ref #	Part #	Description	Qty	Context Note	Foot Note
1	885003D	FOOTREST	1		
2	885001A	SEAT SUPPORT	1		
3	885009BM	COVER, Seat Support	1		
4	885091BM	DECK LIFT INDEX ASSY	1		
5	885002	FOOTREST, Plastic	1		
6	885004	BODY, Plastic	1		
7	885021	BATTERY COVER	1		
8	885010BM	BRACKET, Seat	1		
9	885060BM	SEAT SUPPORT, Bracket RH	1		
10	885061BM	SEAT SUPPORT, Bracket LH	1		
11	722411	SPRING, Seat	2		
12	720049	BOLT, Carriage, 5/16-18 x 5/8	4		
13	720139	NUT, Hex Flange, 5/16-18	4		
14	720095	SCREW, Shoulder #10- 24	6		
15	720102	BOLT, Shoulder 5/16-18 x 5/8	2		
16	720145	NUT, Hex Flange Centerlock 5/16-18	4		
17	720159	WASHER, Flat, 3/4	2		
18	720358	SCREW, 5/16- 18 x 0.50	4		
19	885172	SEAT	1		
20	885108	BOLT, Shoulder, 5/16- 18 x 1.50	4		
21	885100BM	LEVER, Seat Adjust	1		
22	722858	CAPSCREW, 5/16-18 x 3/4	8		
23	722866	SCREW, Hex 1/4-20 x 5/8	6		
24	720049	BOLT, Carriage 5/16-18 x 5/8	2		

Ref #	Part #	Description	Qty	Context Note	Foot Note
25	721403	CLAMP, Hose, Yellow	2		
26	729007	FUEL LINE	1		Note* See your local Briggs & Stratton distributor for parts and service.
27	727333	FUEL CAP	1		
28	885006	TANK, Fuel 1.6 Gallon.	1		
29	885101BM	BRACKET, Fuel Tank	1		
30	720048	BOLT, Carriage, 1/4-20 x 0.63	2		
31	720132	NUT, Keps Lock 1/4-20	2		
32	720173	WASHER, Flat, .81 X .550 X 16GA	2		
33	721609	RING, Foam	1		
34	720140	NUT, Flange Lock 1/4-20	4		
35	885215	GRIP, Seat Adjustment Lever	1		
36	885278	HEAT SHIELD	1	(Used with Service Kit 885280 or After Serial No. 2013421413)	
37	727221	TAPE, Reflective	5		

www.emc-motoculture.com



Ref #	Part #	Description	Qty	Context	Note	Foot Note
1	729275	COVER, Steering Wheel	1			
2	727627	STEERING WHEEL	1			
3	885022	DASHBOARD	1			
4	885106	SHAFT, Shaft	1			
5	720563	BELLOWS, Steering	1			
6	720173	WASHER, Flat, .81 x .550	2			
7	885007	FOOTREST SLEEVE	1			
8	885002	FOOTREST, Plastic	1			
9	721950BM	SUPPORT, Steering	1			
10	721966	BEARING, Upper Steering	1			
11	726537A	LINK, Drag	2			
12	885036A	BRACKET, Support	1			
13	729342A	BRACKET, Axle Front	1			
14	885081A	AXLE AND SPINDLE ASSY	1			
15	721949A	RACK, Steering	1			
16	721971	GEAR, Pinion	1			
17	721973	ROLLER	2			
18	721970	BEARING, Lower Steering	1			
19	727201A	PLATE, Gear Mounting	1			
20	720107	BOLT, Shoulder, .31-18 x 1 1/4	2			
21	720145	NUT, Hex Flange Centerlock 5/16-18	2			
22	722584	WASHER, Flat, 1-1.3-16G	1			
23	722622	WASHER, .328 x 1.062 x .062 Z	2			
24	720211	BOLT, Hex Head, 5/16-24 x 2-3/4, G5	2			
25	720142	NUT, Centerlock 3/8-16	2			
26	722395	NUT, 5/16-24	2			
27	722580	WASHER, Flat, .39-1. 14G	2			
28	722858	CAPSCREW, 5/16-18 x 3/4	13			
29	720117	O-RING, Retainer	1			
30	727875	BUMPER, Rubber	2			
31	7090290	SCREW, Self Tapping, 1/4-20 x 3/4	1			
32	722593	WASHER, Flat, .34, 1.20 11G	1			
33	722863	SCREW, Thread Forming, 10-16 x 1	1			
34	720192	BOLT, Hex 3/8-16 x 1-1/2 G5	2			
35	885240	THROTTLE CONTROL	1			
36	722841	SCREW, Self Tap, #8 x 3/8	2			
37	885118	TINNERMAN CLIP	1			
38	885102	FLOORMAT, RH	1			
39	885103	FLOORMAT, LH	1			
40	885223BM	SUPPORT PLATE, Steering	1			
41	721246	RETAINER, Spring	1			
42	729075	SCREW, Thread Forming, 10-24	2			



www.emc-motoculture.com

Ref #	Part #	Description	Qty	Context	Note	Foot	Note
1	885029	REAR TIRE ASSY, 16X6.50-8	2				
2	885028	FRONT TIRE ASSY, 13X5.00-6	2				
3	721318	HUB CAP	4				
4	720010	E-RING, .750D x .050T	2				
5	722620	WASHER, FLAT 1.862 x .765	4				
7	722617	WASHER, Flat, .75-1.3	4				
8	720390	PIN, Cotter 1/8" x 1-1/4"	2				

www.emc-motoculture.com

www.emc-motoculture.com