

# **SPARE PARTS CATALOGUE**

**: MCCULLOCH**

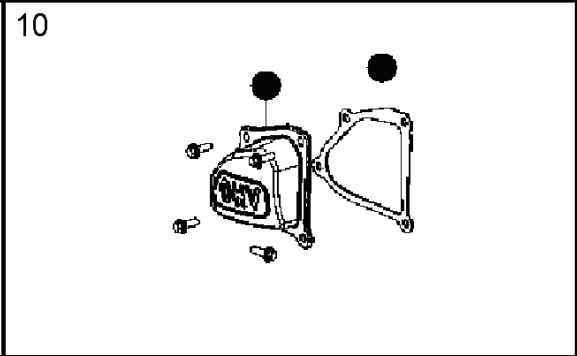
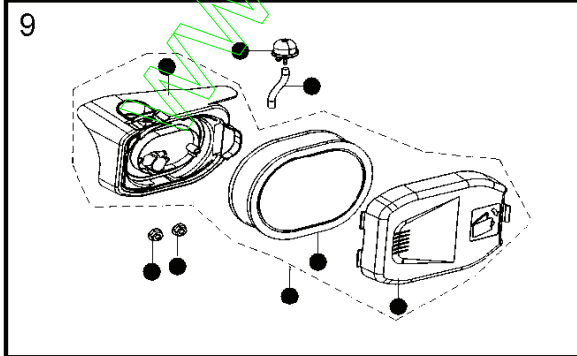
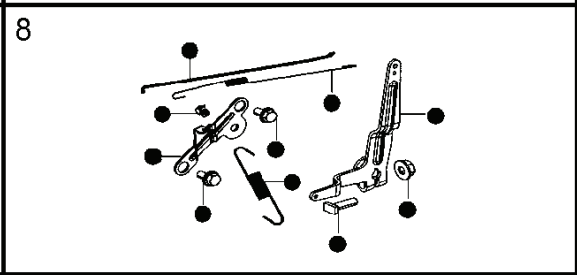
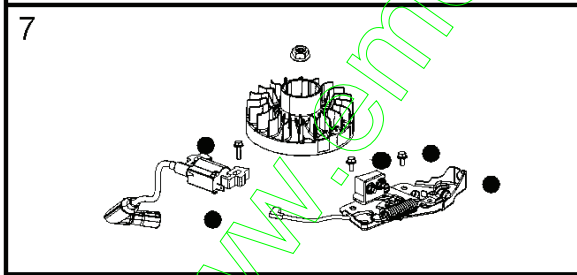
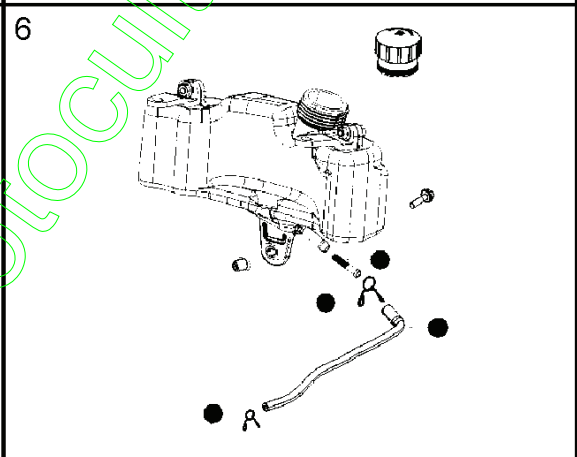
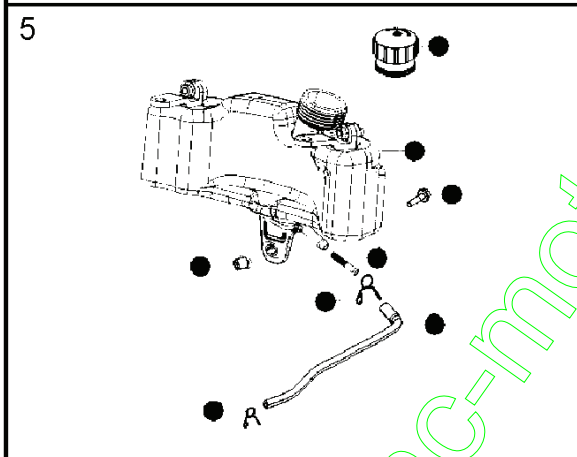
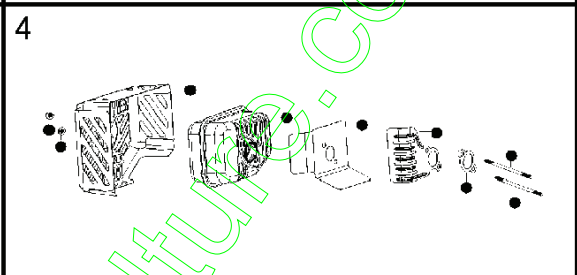
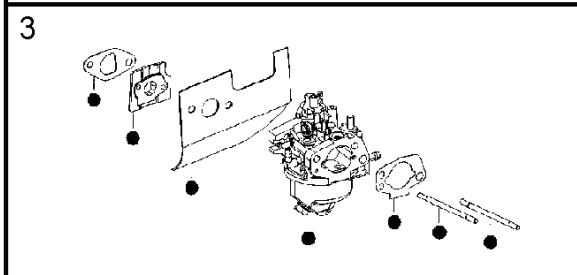
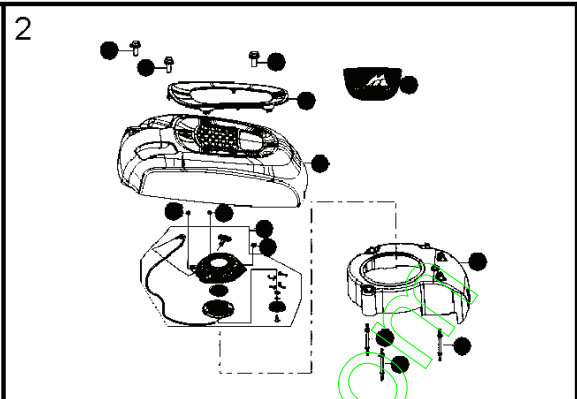
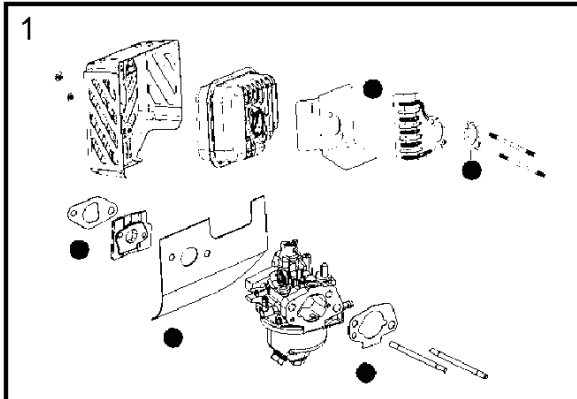
[www.emc-motoculture.com](http://www.emc-motoculture.com)

Spare Parts List

---

# SPARE PARTS LIST

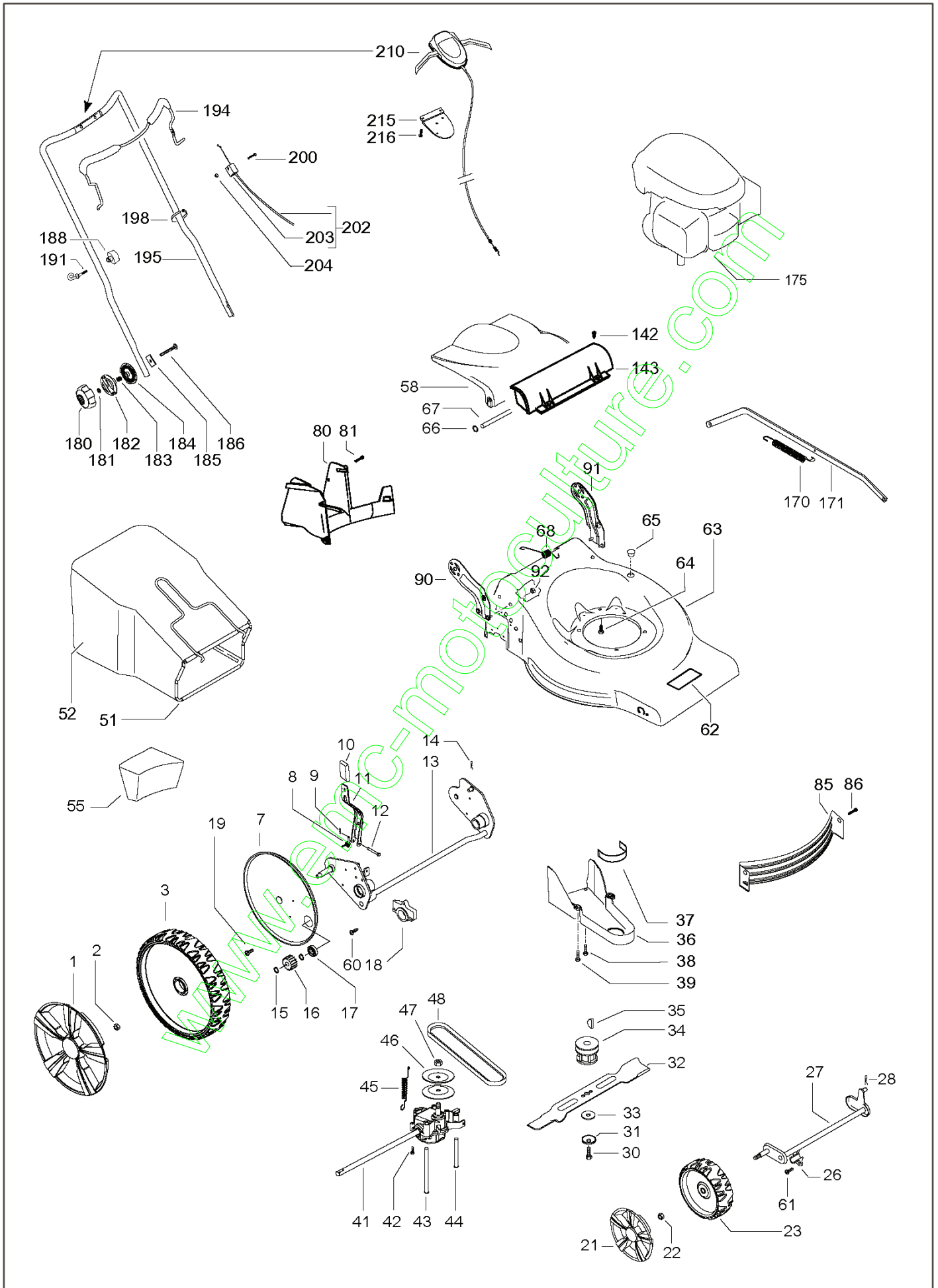
[www.emc-motoculture.com](http://www.emc-motoculture.com)



---

REF.	PART NO.	DESCRIPTION	REMARK	QTY.	KIT
1	579829002	GASKET KIT		1	
2	579829003	SHROUD KIT		1	
3	579829004	CARBURETTOR KIT		1	
4	579829005	MUFFLER KIT		1	
5	579829006	FUEL TANK KIT		1	
6	579829007	FUEL FILTER KIT		1	
7	579829008	IGNITION KIT		1	
8	579829009	GOVERNOR KIT		1	
9	579829010	AIR INTAKE KIT		1	
10	579829011	CYLINDER HEAD KIT		1	
-	579829012	DIPSTICK		1	
-	579829013	AIR FILTER		1	
-	579820214	FUEL CAP		1	

[www.emc-motoculture.com](http://www.emc-motoculture.com)



REF.	PART NO.	DESCRIPTION	REMARK	QTY.	KIT
1	574396601	HUB CAP	d.280	2	
2	504857801	NUT	M8, self locking, flanged	2	
3	574415304	WHEEL	d.280	2	
7	504539901	HUB CAP	d.280	2	
8	583951302	SPRING		1	
9	531207408	PIN RETAINING SCREW		1	
10	574610501	KNOB		1	
11	582759301	LEVER ASSY		1	
12	587198201	PIN		1	
13	510092801	REAR AXLE		1	
14	531206653	PIN		1	
15	531208772	WASHER		2	
16	582701701	PINION		4	
17	531208778	BEARING		2	
18	531205944	SUPPORT		2	
19	531207856	SCREW	5x10	4	
21	574396401	HUB CAP	d.190	2	
22	504857801	NUT	M8, self locking, flanged	2	
23	574415004	WHEEL	d.190	2	
26	577384201	SUPPORT		2	
27	504856501	FRONT AXLE ASSY		1	
28	531206653	PIN		1	
30	531208008	SCREW	3/8"	1	
31	531207237	WASHER		1	
32	504113310	BLADE		1	
33	531207243	WASHER		1	
34	581843001	BLADE SUPPORT		1	
35	505290901	KEY		1	
36	502093601	BELT GUARD		1	
37	501189002	BELT GUIDE		1	
38	817411312	SCREW		1	
39	531207856	SCREW	5x10	2	
41	504541403	GEARBOX		1	
42	510037501	SCREW	4x16, self threading	2	
43	504103101	BELT GUIDE		1	
44	544934301	BELT GUIDE		1	
45	544934701	SPRING		1	
46	504547901	PULLEY		2	
47	504548001	NUT		1	
48	504103301	BELT	Z30 10X765	1	
51	531213262	BAG FRAME		1	
52	589462601	GRASSBAG		1	
55	579679301	PLUG		1	
58	544255501	HATCH		1	
60	531206677	SCREW	4.8x19, self threading	2	
61	525433101	SCREW	4x16, self threading	4	
62	581021701	DECAL	McCulloch	1	
63	582890702	CHASSIS		1	
64	532150406	BOLT	3/8"	3	
65	531205318	PLUG		1	
66	584816903	LOCKWASHER		2	
67	531211441	TIE ROD		1	
68	531211840	SPRING		1	
80	502093901	INSERT		1	
81	589814401	SCREW		6	
85	588907101	BAFFLE		1	
86	817000510	BOLT		2	
90	582750902	HANDLE BRACKET	right	1	
91	582750802	HANDLE BRACKET	left	1	
92	582758901	HEXAGON NUT-FLANGE	M8	4	
142	576136006	SCREW	M5x8	2	
143	579300901	SEAL		1	
170	579245302	SPRING		1	
171	580963201	ROD		1	
175	579829001	ENGINE ASSY		1	
180	580424301	KNOB		2	
181	531204922	WASHER		2	
182	531211474	SEGMENT	outer	2	
183	531211476	SPRING		2	
184	531211473	SEGMENT	inner	2	
185	531211581	PLATE		2	
186	581259501	SCREW RSQM	M8x55	2	
188	581912601	KNOB		1	
191	581902101	GUIDE		1	
194	587689303	BAIL ARM ASSY		1	
195	580333602	HANDLE		1	
198	531205581	CLIP		2	
200	580833601	SCREW EHHM		1	

www.emmotoculture.com

---

REF.	PART NO.	DESCRIPTION	REMARK	QTY.	KIT
202	582192101	CABLE ASSY		1	
203	531208043	BRACKET		1	202
204	581551201	HEXAGON LOCKING NUT		1	
210	580683902	CONTROL		1	
215	587249302	BACKPLATE		1	
216	532181698	SCREW		4	

[www.emc-motoculture.com](http://www.emc-motoculture.com)