

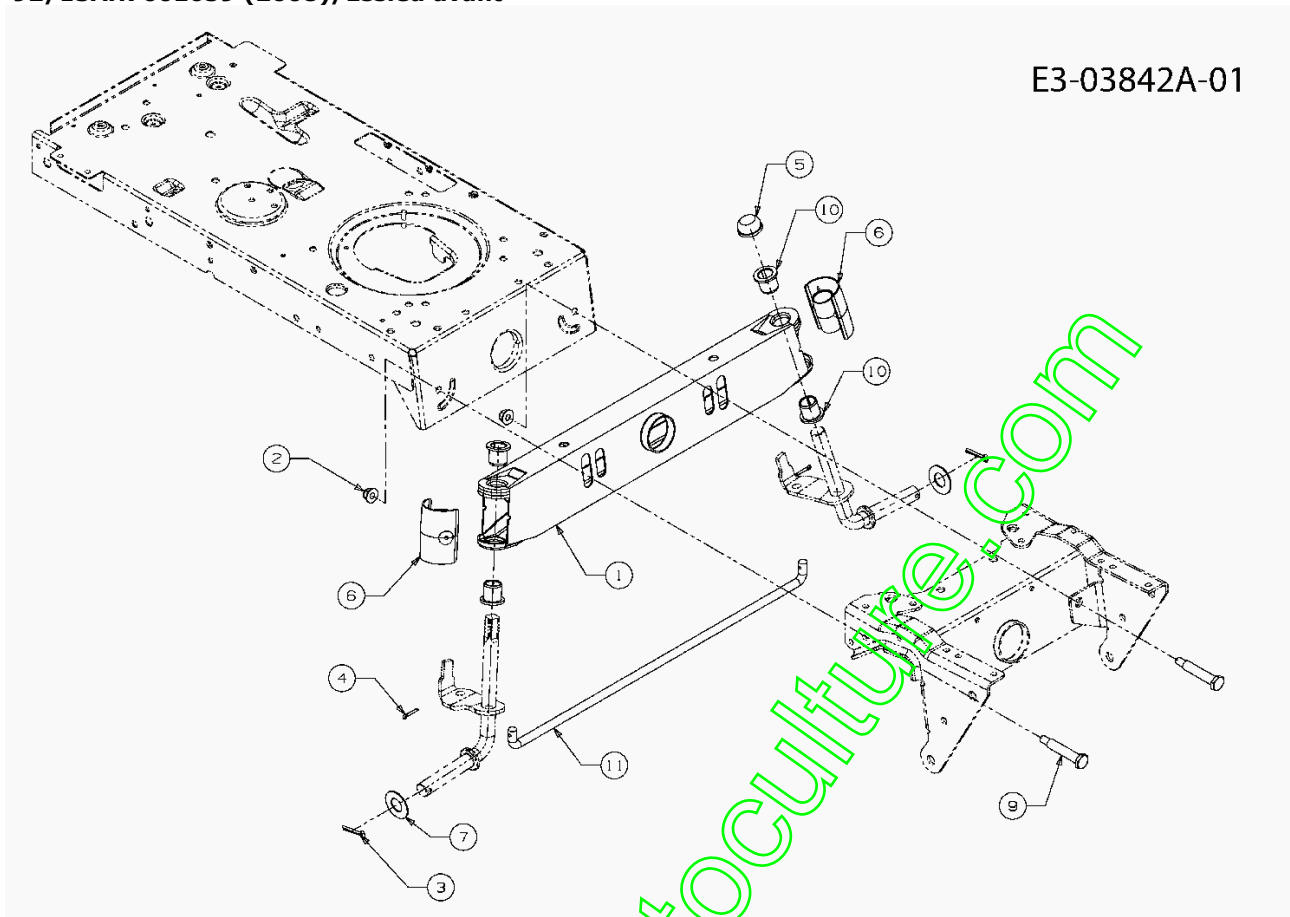
Segment de direction

Position	Partnumber	Quantity	Designation	Standard	Additional
1	617-04024	1	SEGMENT DE DIRECTION CPL		
2	710-0376	1	VIS	FINISH:MTD STD 701-01000	
3	710-0643	1	VIS	LOCTITE MICROVERKAPSELT	
4	710-1309	1	VIS	FINISH:701-01000	
5	710-3180	1	VIS	FINISH:701-01000	
6	712-0240	1	ECROU 7/16-20 : GR 2	FINISH:MTD STD 701-01000	
7	712-0262	1	ECROU	FINISH:701-01000	
8	712-04063	4	ECROU	FINISH:701-01000 712-04063	
10	723-0448A	1	ROTULE DE DIRECTION 7/16-20	FINISH:GELBVERZINKT	
11	736-0242	1	RONDELLE	FINIS:701-01001	
13	738-04141	1	AXE	FINISH:701-01001	
14	738-0919	1	ARBRE DE DIRECTION 21,57 LG	FINISH:SIEHE ZG.	
15	741-04124	1	BAGUE		
16	741-0475	1	BAGUE PLASTIQUE	741-0475/941-0475	
17	747-04298	1	TRINGLE DE DIRECTION	FINISH:701-01007	
18	748-0389	1	BAGUE	FINISH:GEÖLT	
19	748-04065	1	PATTE DE DIRECTION	FINISH:SCHWARZ LACKIERT	
20	748-04068	1	DOUILLE .71IDX.125 ODX.56 LG	FINISH:701-01000	
21	750-04418	1	DOUILLE .322ID.625ODX.21LG	FINISH:GEÖLT	
22	783-04644	1	PLAQUE	FINISH:PHOS & OIL OR 701-01000	

www.emc-motoculture.com

92/13AH760E659 (2008)/Essieu avant

E3-03842A-01

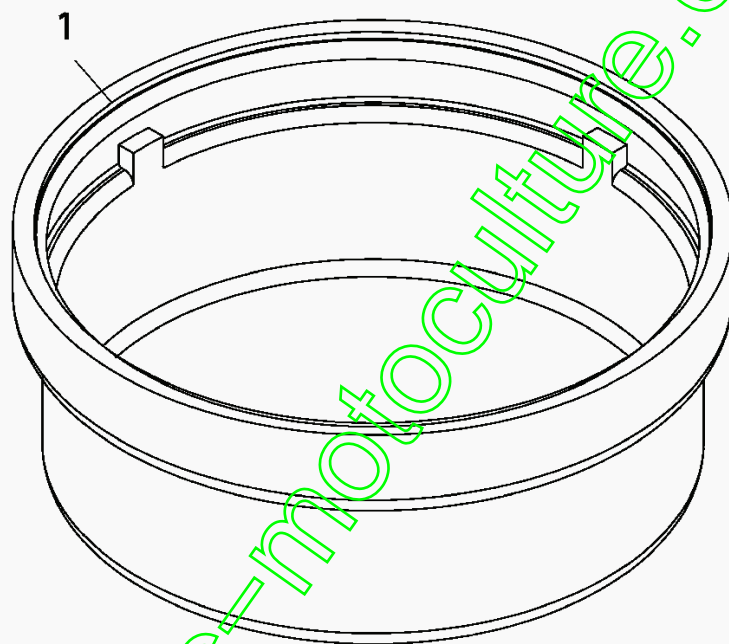


Essieu avant

Position	Partnumber	Quantity	Designation	Standard	Additional
1	683-0128B	1			
2	712-04065	2	ECROU	FINISH:701-01000 912-04065	
3	714-04039	2	EPINGLE	FINISH:PHOS & OIL	
4	714-0474	2	EPINGLE	FINISH:BLACK PHOSPHATE & OIL	
5	726-0341	1	CLIPS CAPUCHON	FINISH:SCHWARZ	
6	731-1291A	2	COUVERCLE DE PROTECTION	MATERIAL:PP SCHWARZ:LT5	
7	736-0316	2	RONDELLE 1.78XA1.59"	FINISH:MTD STD 701-01000	
9	738-1011A	2	AXE	FINISH:MTD STD 701-01000	
10	741-0660A	4	BAGUE:.760 x .941 x 1.0	FINISH:SCHWARZ	
11	747-04299A	1	TRINGLE DE DIRECTION	FINISH:701-01000	

www.emc-motoculture.com

92/13AH760E659 (2008)/Chapeau de roue



E3-02002B-01

www.emc-motoculture.com

Chapeau de roue

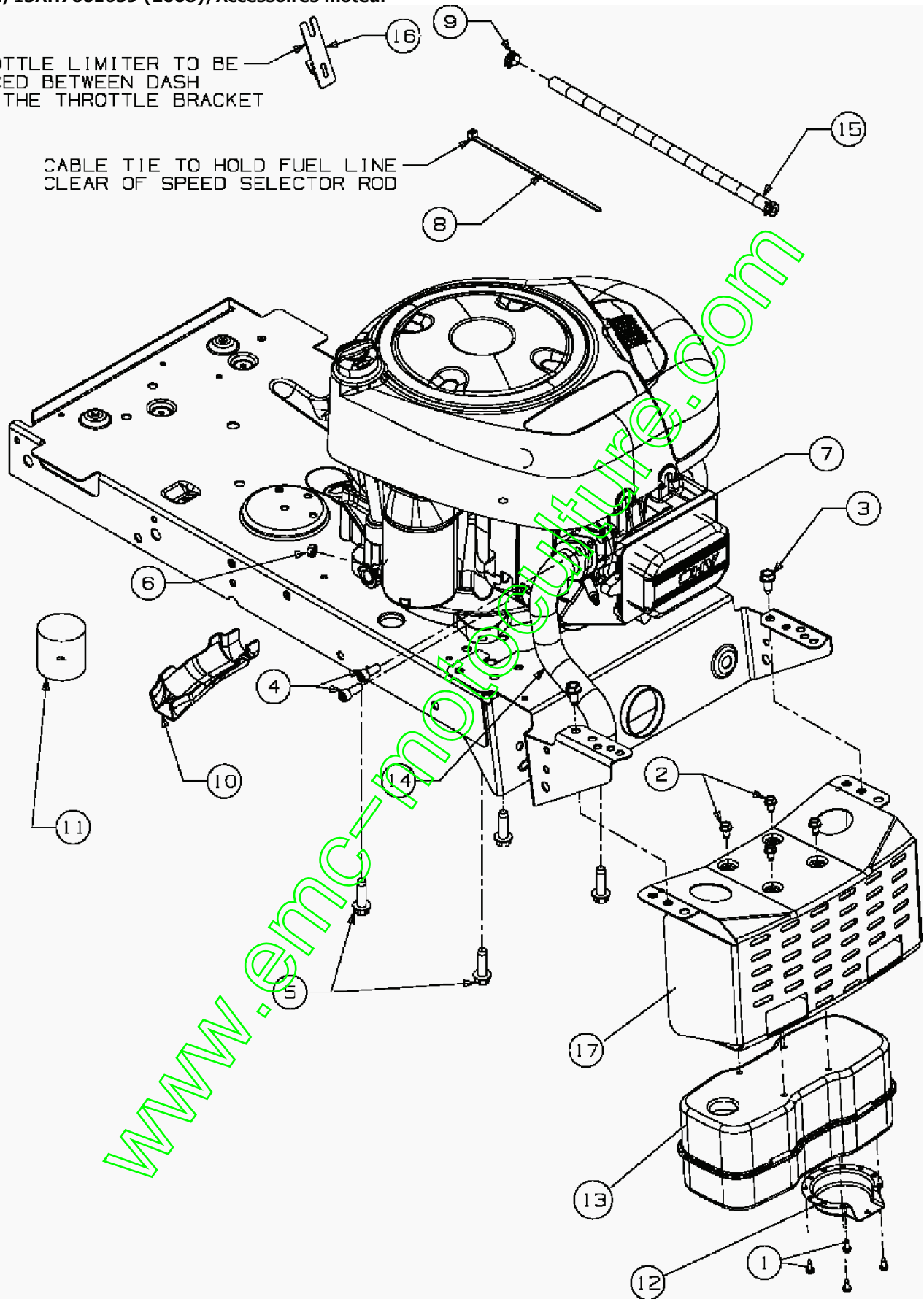
Position	Partnumber	Quantity	Designation	Standard	Additional
1	731-0484A	2	ENJOLIVEUR	FINISH: SCHWARZ 931-0484A	

www.emc-motoculture.com

92/13AH760E659 (2008)/Accessoires moteur

ROTTLE LIMITER TO BE
ACED BETWEEN DASH
D THE THROTTLE BRACKET

CABLE TIE TO HOLD FUEL LINE
CLEAR OF SPEED SELECTOR ROD



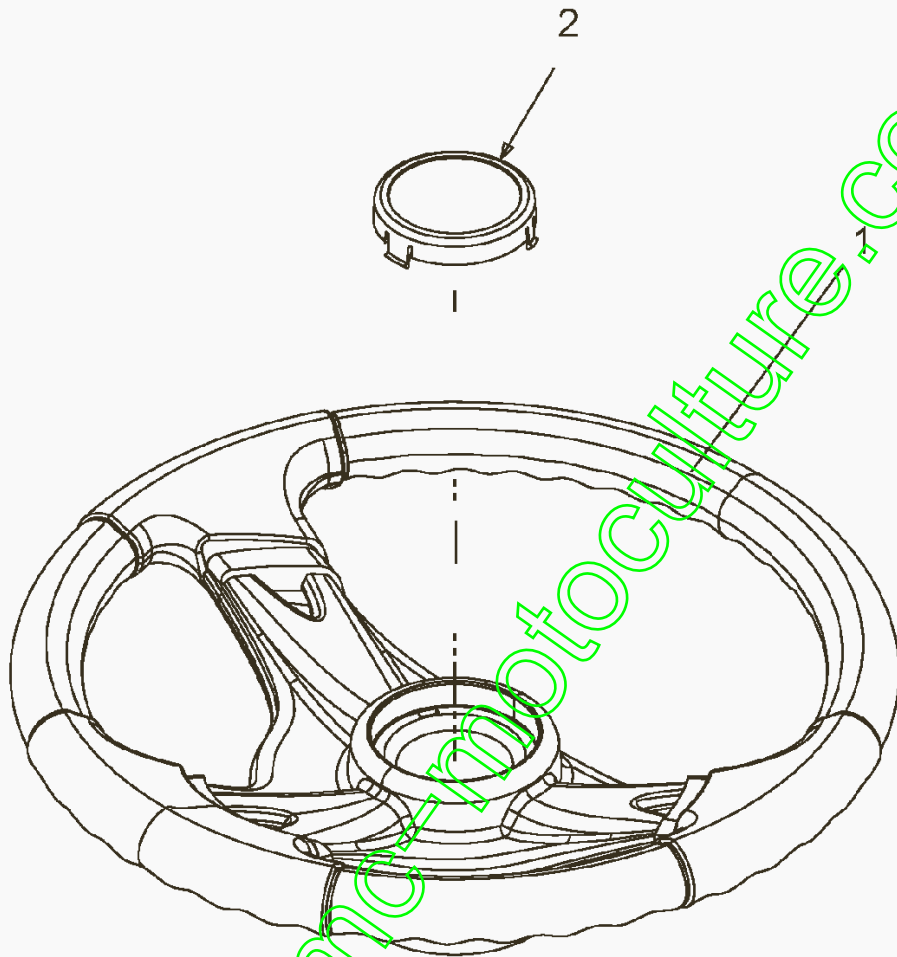
E3-03295A-01

Accessoires moteur

Position	Partnumber	Quantity	Designation	Standard	Additional
1	710-0227	4	VIS:#8-18:0.500:HXIN	FINISH:MTD STD 701-01002	
2	710-0599	4	VIS	FINISH:MTD SPEC-701-01002	
3	710-0604A	2	VIS	FINISH:MTD SPEC-701-01002	
4	710-1314A	2	VIS	GR.8 FINISH:PHOS & OIL	
5	710-1315	4	VIS	FINISH:MTD SPEC-701-01002	
6	712-0271	1	ECROU 1/4-20"+ DISQUE DENTÉ	FINISH:701-010015	
7	721-0208	1	JOINT ECHAP B/S MONO CILYNDRE	272293	
8	725-0157	1	COLLIER CABLE 3/16X.05x7.4	PB-Nr. 5652 schwarz	
9	726-0205	2	CLIPS	FINISH:PHOS UND GELB LACKIERT	
10	731-05628	1	SLEV:DRAIN:OIL	731-05628 FINISH:SCHWARZ	
11	737-0169	1,3			
12	751-0564B	1	DEFLECTEUR:ÉCHAPPEMENT	MATERIAL:ALUMINIERTER STAHL	
13	751-0617B	1	POT D ECHAPPEMENT		
14	751-0816B	1	AUSPUFFROHR:SINGLE B&S OHV		
15	751-0535	13	TUYAU ESSENCE	Ø12,7+/-5.84 / Ø6,35+/-0,41	
16	783-05007	1	TEC/KAWA VERZINKEN	TEC/KAWA VERZINKEN	
17	783-0615D	1	DEFLECTEUR POT D'ECHAPPEMENT	FINISH:LACKIERT	

www.emc-motoculture.com

92/13AH760E659 (2008)/Volant



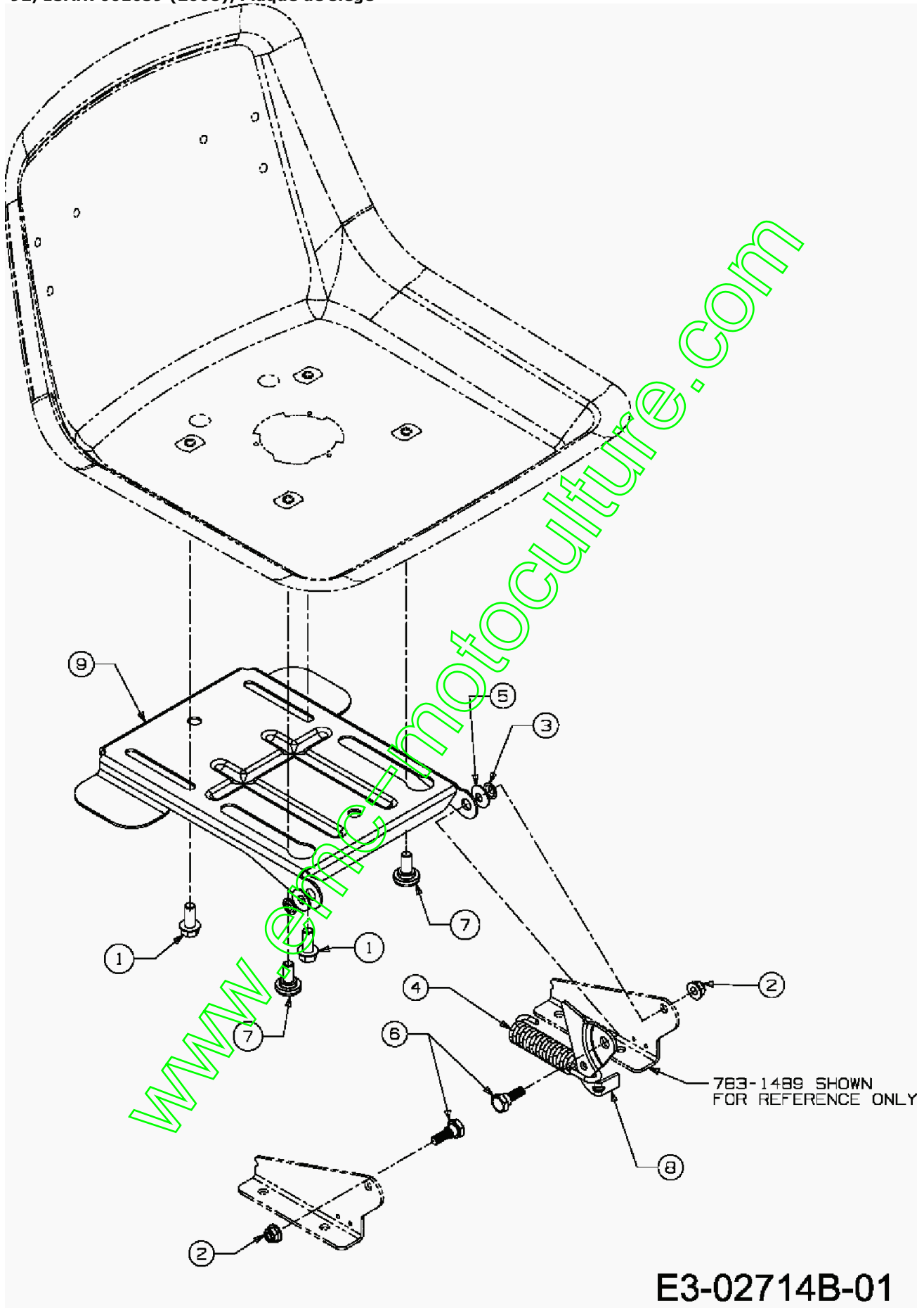
E3-02015A-01

Volant

Position	Partnumber	Quantity	Designation	Standard	Additional
1	631-04028	1	VOLANT		
2	731-04039	1	CAPUCHON DE VOLANT	OHNE LOGO	

www.emc-motoculture.com

92/13AH760E659 (2008)/Plaque de siège

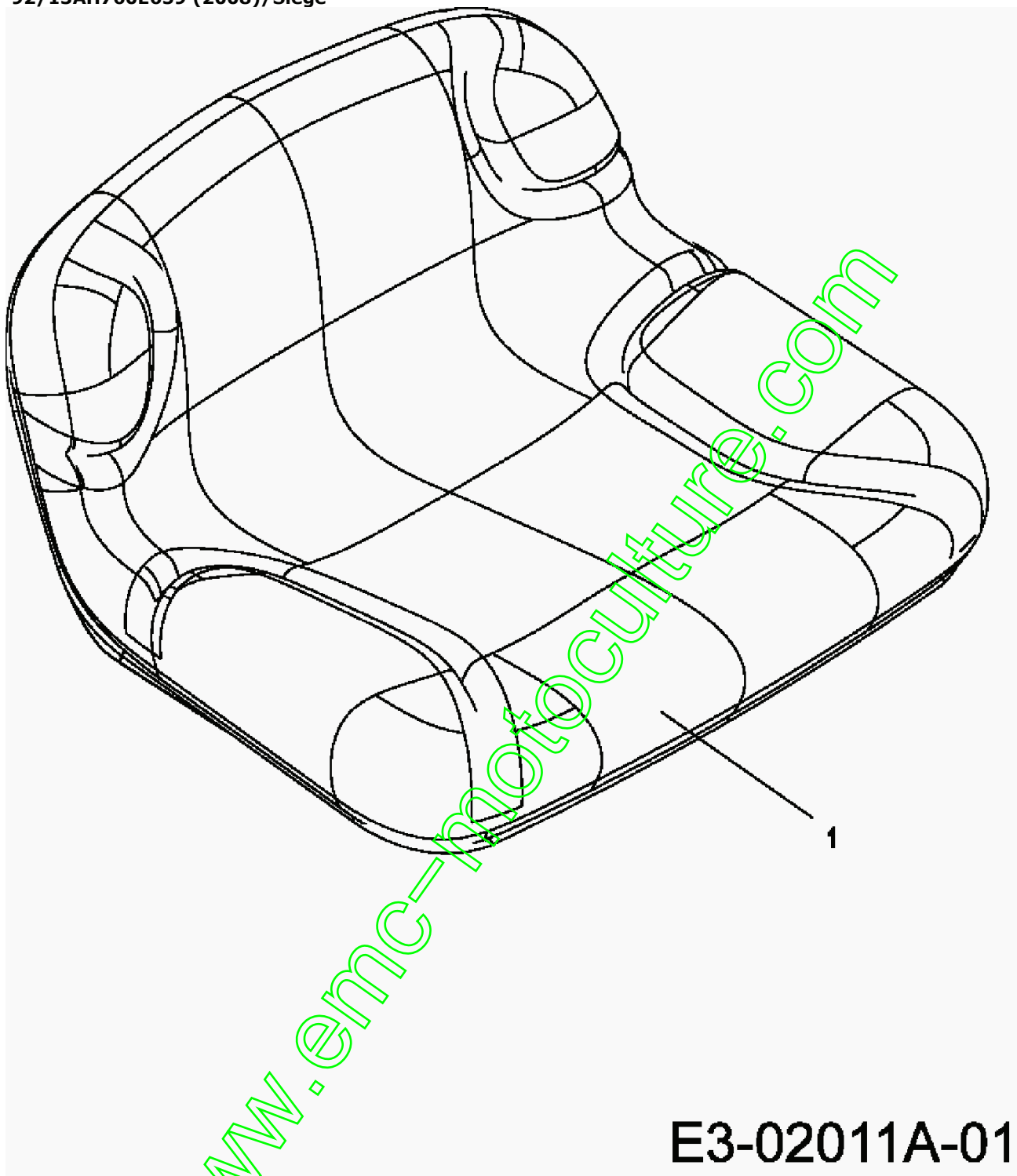


Plaque de siège

Position	Partnumber	Quantity	Designation	Standard	Additional
1	710-04482	2	VIS	FINISH:701-01000	
2	712-04063	2	ECROU	FINISH:701-01000 712-04063	
3	726-0201	2	CLIPS	FINISH:MTD STD 701-01001	
4	732-1184	1	RESSORT	500er:FINISH:MTD STD 701-01000	
5	736-0242	2	RONDELLE	FINIS:701-01001	
6	738-0296	2	VIS	FINISH:701-01000	
7	738-04012A	2	VIS DE SIEGE	FINISH:SIEHE ZG.	
8	783-0209D	1	SUPP. SIÈGE	FINISH:VERZINKT SIEHE ZG.	
9	783-04081B	1			

www.emc-motoculture.com

92/13AH760E659 (2008)/Siège

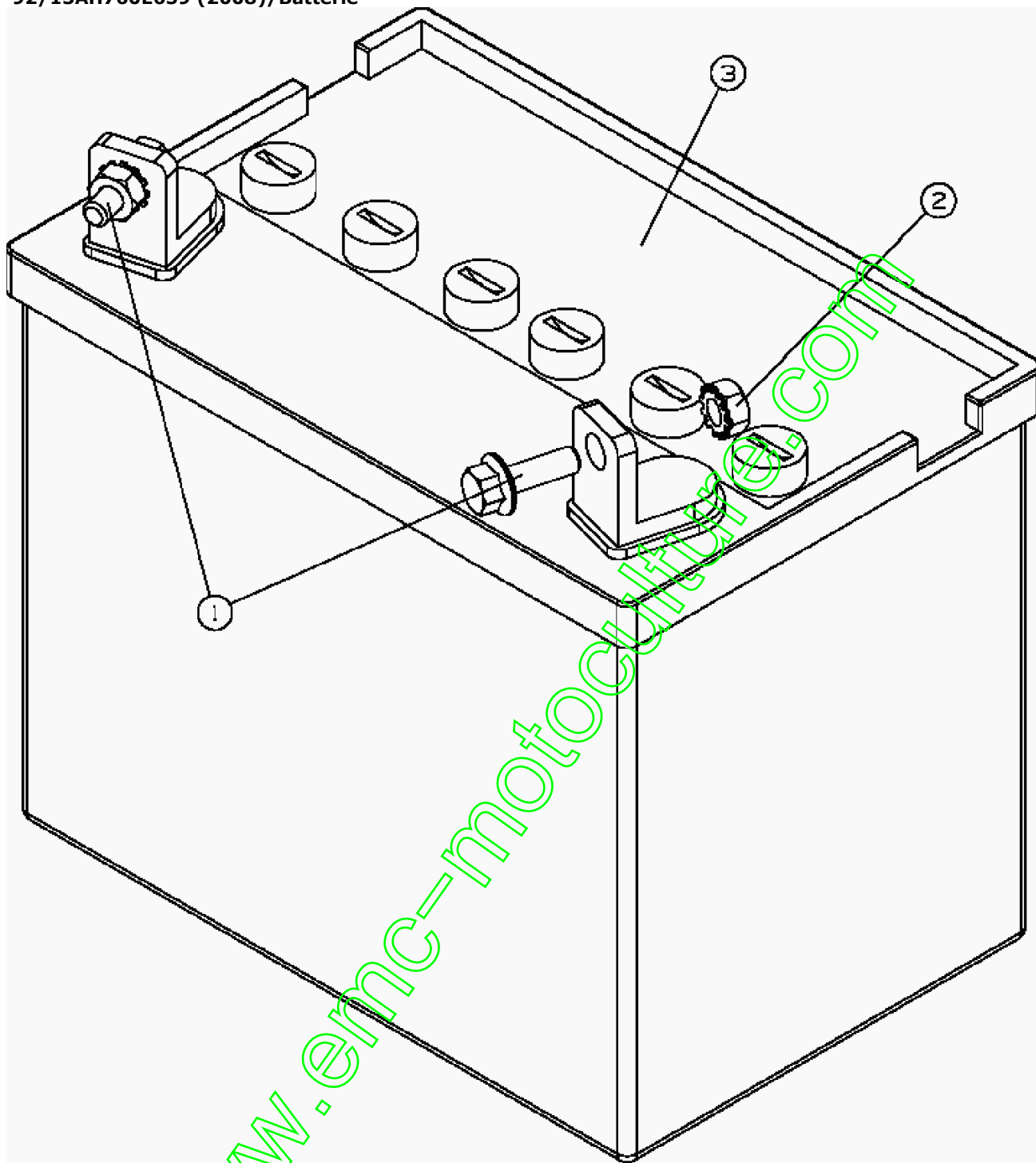


Siège

Position	Partnumber	Quantity	Designation	Standard	Additional
1	757-04001	1	SIEGE BAS	757-04001	

www.emc-motoculture.com

92/13AH760E659 (2008)/Batterie



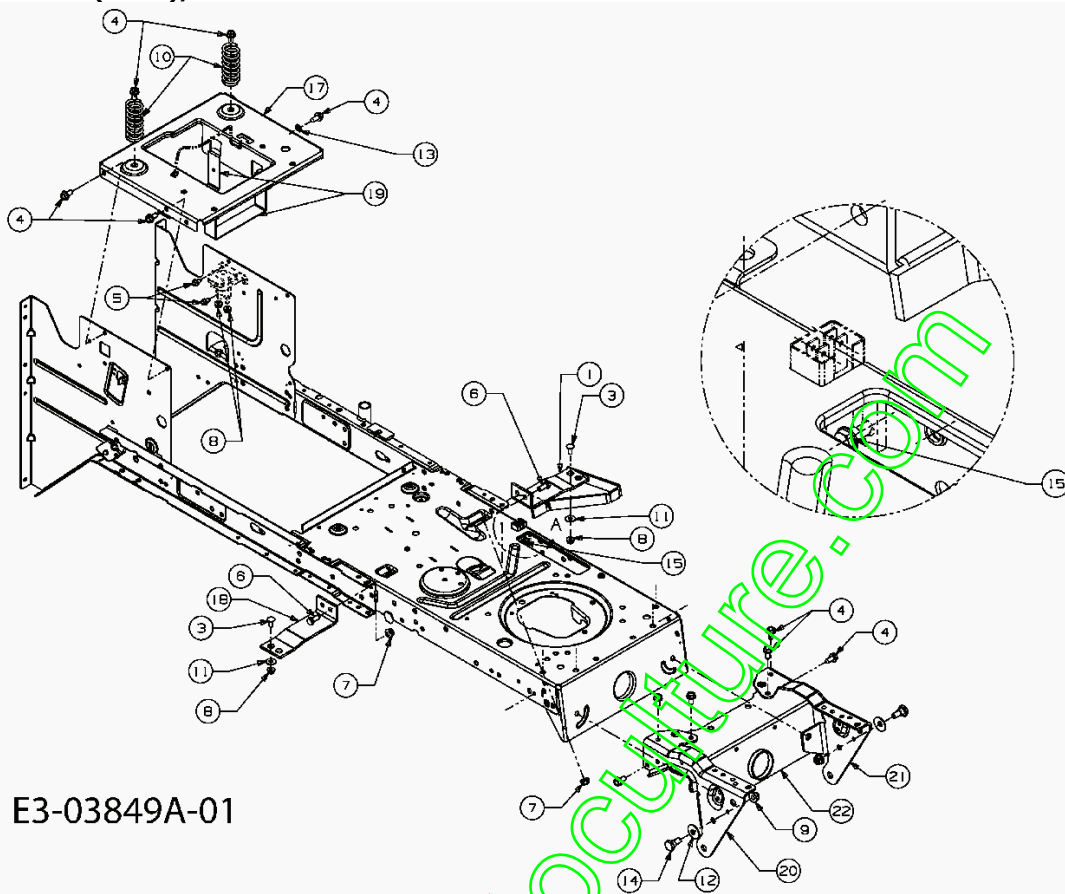
E3-02323B-01

Batterie

Position	Partnumber	Quantity	Designation	Standard	Additional
1	710-04666	2	710-04666	GR5 FINISH:701-010015	
2	712-0271	2	ECROU 1/4-20"+ DISQUE DENTÉ	FINISH:701-010015	
3	725-1705D	1	BATTERIE U1:155 CCA	U1-7	

www.emc-motoculture.com

92/13AH760E659 (2008)/Chassis



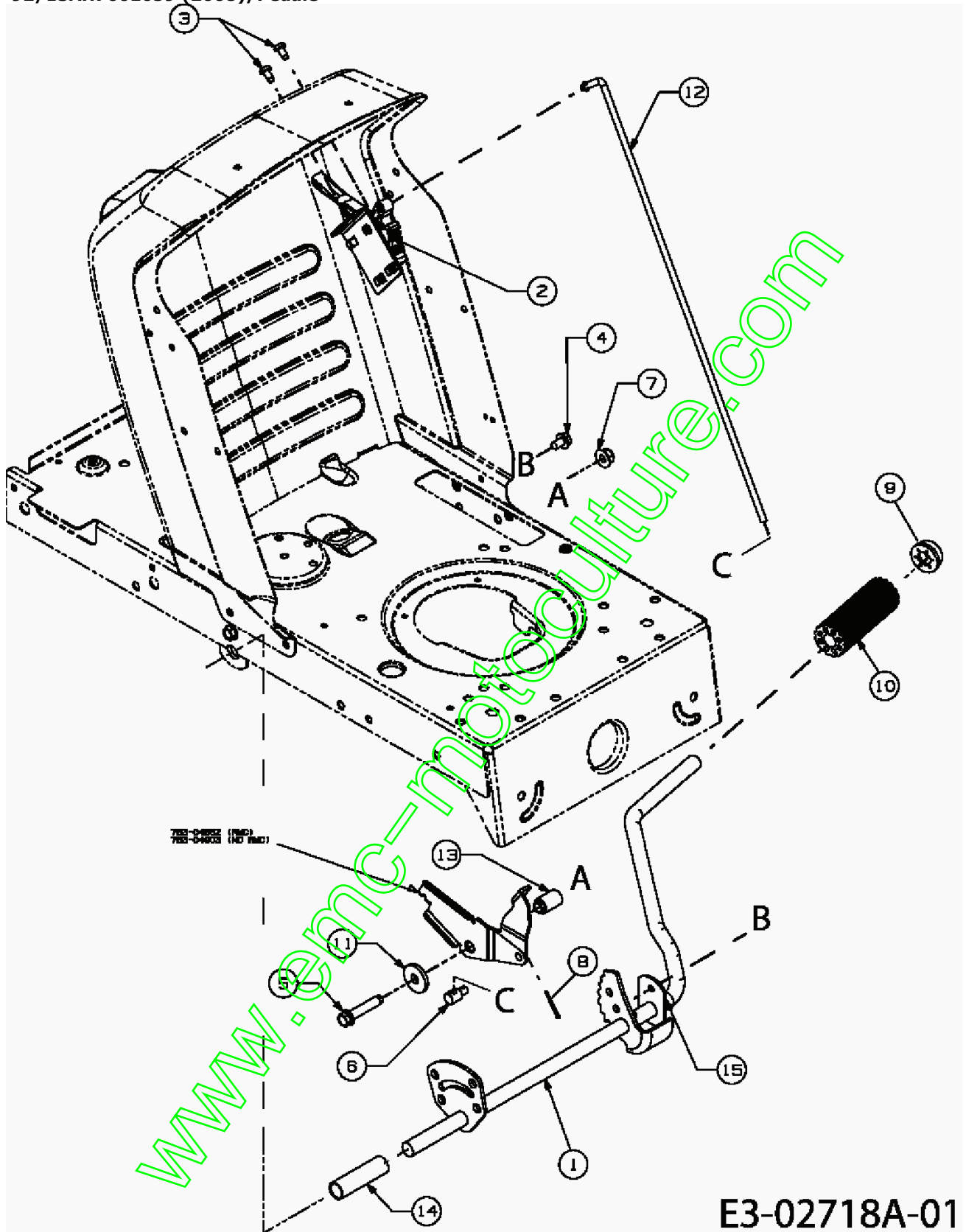
E3-03849A-01

Chassis

Position	Partnumber	Quantity	Designation	Standard	Additional
1	683-04195	1			
2	683-04408	1			
3	710-0134	2	VIS	FINISH:701-01000	
4	710-04484	12	VIS	FINISH:701-01002	
5	710-0599	2	VIS	FINISH:MTD SPEC-701-01002	
6	710-3008	2	VIS :5/16-18:.75	FINISH:MTD STD 701-01000	
7	712-04063	3	ECROU	FINISH:701-01000 712-04063	
8	712-04064	4	ECROU	FINISH:701-01000 912-04064	
9	712-04065	2	ECROU	FINISH:701-01000 912-04065	
10	732-04035	2	RESSORT	FINISH:701-01000	
11	736-0173	2	RONDELLE 281DX 74ODX.063	FINISH:701-01000	
12	736-0331	2	RONDELLE	FINISH:MTD SPEC-100016	
13	736-0607	1	RONDELLE	FINISH:MTD STD 701-01001	
14	738-0143	2	VIS	FINISH:MTD STD 701-01000	
15	738-04237A	1			
16	747-04385	1			
17	783-04548C	1			
18	783-04637	1			
19	783-04869	2			
20	783-0726E	1	FINISH:LACKIERT	FINISH:LACKIERT	
21	783-0727D	1	FINISH:LACKIERT	FINISH:LACKIERT	
22	783-0728B	1			

www.emc-motoculture.com

92/13AH760E659 (2008)/Pedale

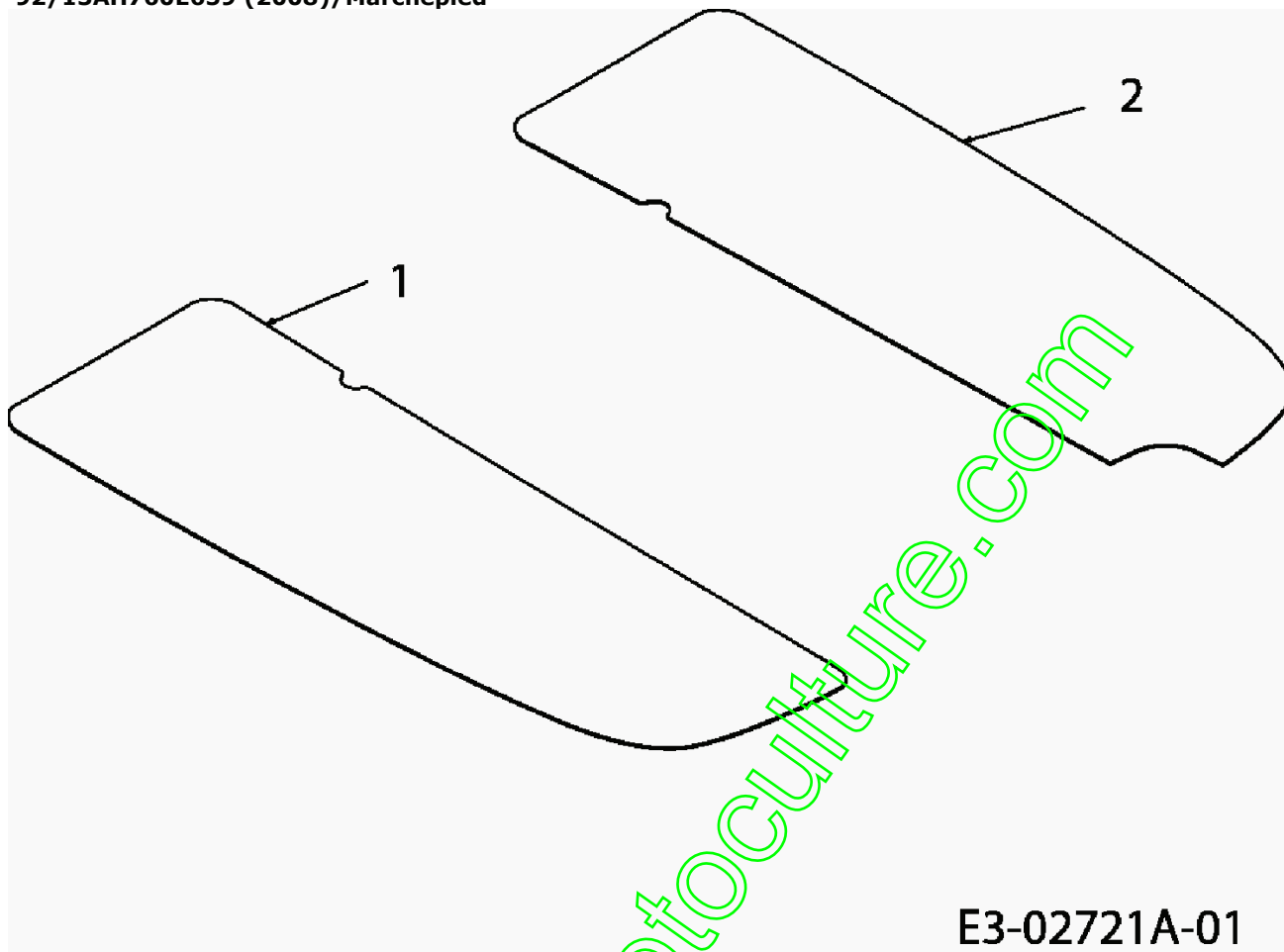


Pedale

Position	Partnumber	Quantity	Designation	Standard	Additional
1	647-04034C-S	1	2	2	
2	683-04225637	1	MANETTE ENCLENC. 6 VITESSE LT5		
3	710-04483	2	VIS:TT:1/4-20:.500:TRUSTRXI	FINISH:MTD SPEC-701-01002	
4	710-0604A	1	VIS	FINISH:MTD SPEC-701-01002	
5	710-1008	1	VIS	HXLWSH FINISH:701-01002	
6	711-0736	1	AXE	FINISH:MTD SPEC 701-01000	
7	712-04065	1	ECROU	FINISH:701-01000 912-04065	
8	714-0111	1	EPINGLE	FINISH:GELBVERZINKT	
9	726-0214	1	BOUCHON COUVERCLE 5/8"	FINISH:SCHWARZ	
10	735-0239	1	CAOUTCHOUC/PEDALE 4;0 LG	FINISH:SCHWARZ	
11	736-0247	1	RONDELLE 40 X 1.25X .157"	FINISH:701-01001	
12	747-04430	1	TRINGLE	FINISH:701-01000 OR 701-010007	
13	750-04465	1	ENTRETOISE		
14	750-0802	1	ENTRETOISE / .640IDX.760DX2.63	FINISH:SCHWARZ	
15	783-04536637	1	SCHWARZ LACKIERT	SCHWARZ LACKIERT	

www.emc-motoculture.com

92/13AH760E659 (2008)/Marchepied



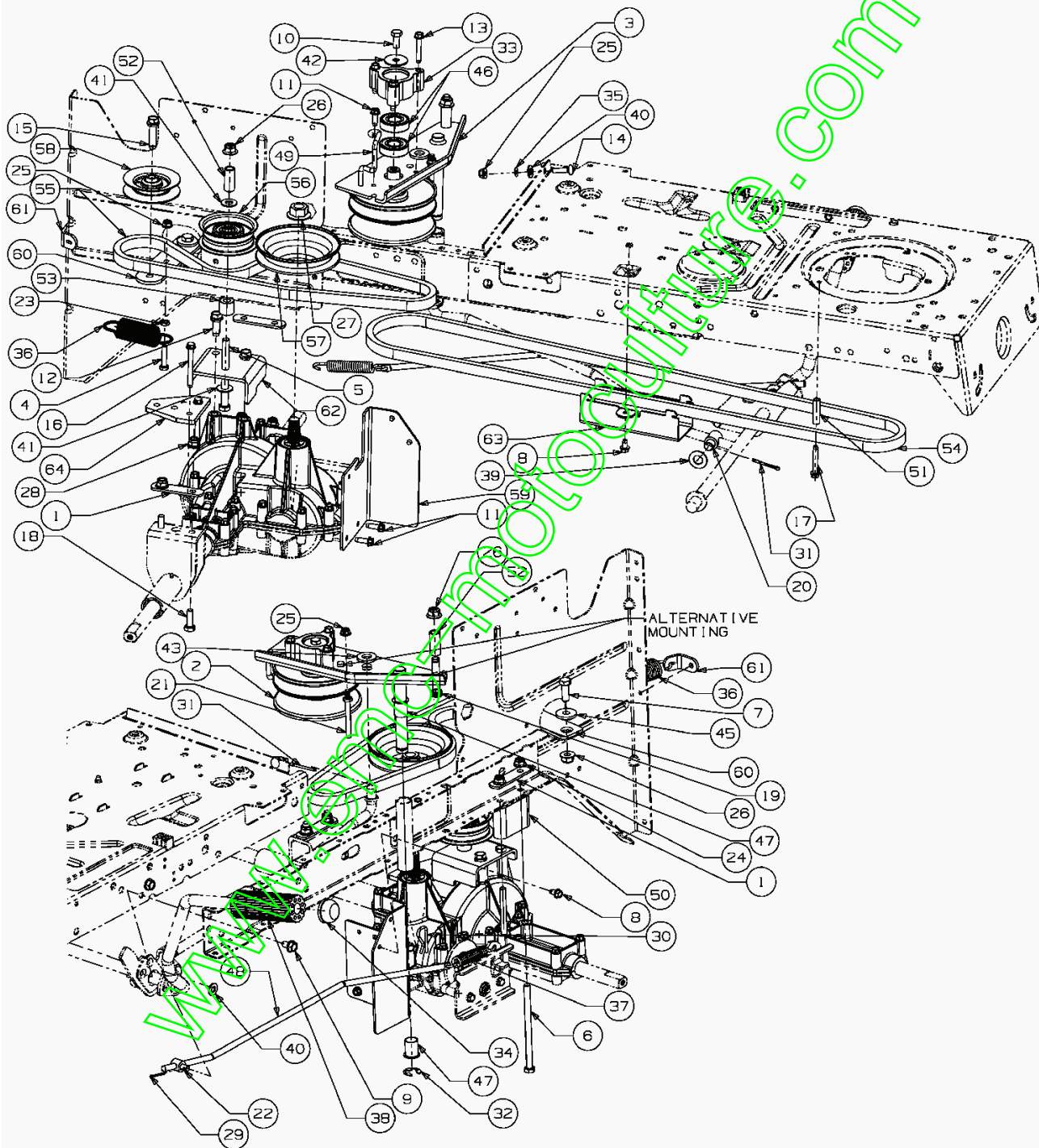
Marchepied

Position	Partnumber	Quantity	Designation	Standard	Additional
1	723-04025	1	MARCHE PIED DROITE	FARBE: SCHWARZ	
2	723-04026	1	MARCHE PIED GAUCHE	FARBE: SCHWARZ	

www.emc-motoculture.com

92/13AH760E659 (2008)/Traction

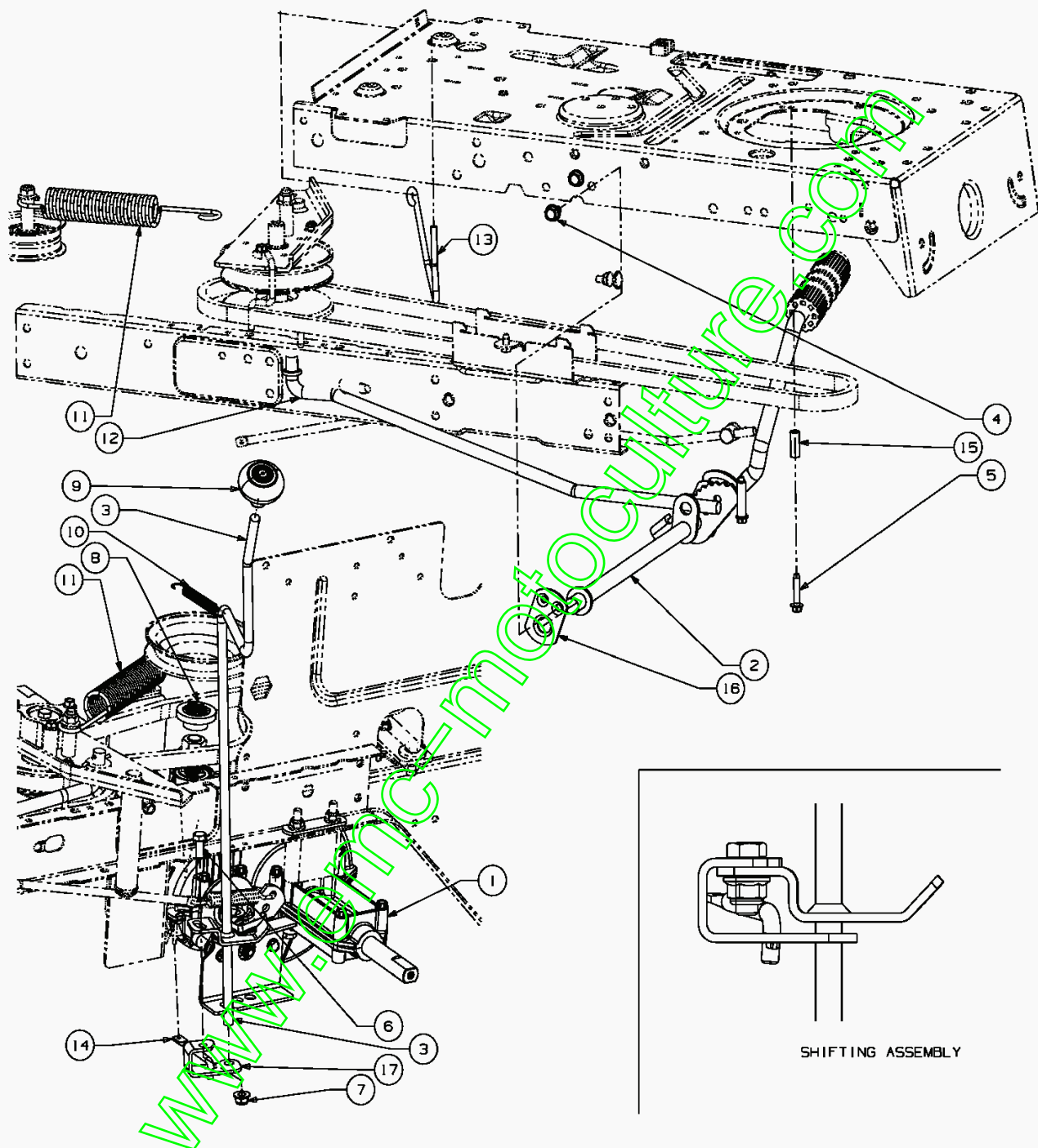
E3-03858A-01



Traction

Position	Partnumber	Quantity	Designation	Standard	Additional
1	17840	2	SUPPORT	FINISH:17840-0637	
2	656-04015	1	POULIE VARIATEUR	4.75 OD	
3	683-04429	1			
4	710-0106	1	VIS	FINISH:MTD STD 701-01000	
5	710-0411	1	VIS	FINISH:701-01000	
6	710-04469	2	6KT-SCHR:5/16-18x5.00:GR5:STD		
7	710-0514	1	VIS	FINISH:MTD STD 701-01000	
8	710-0599	3	VIS	FINISH:MTD SPEC-701-01002	
9	710-0604A	2	VIS	FINISH:MTD SPEC-701-01002	
10	710-0627	1	VIS	FINISH:701-01000	
11	710-0642	3	VIS	MTD SPEC-701-01002 910-0642	
12	710-0654A	2	VIS	FINISH:MTD SPEC-701-01002	
13	710-0778	3	VIS	FINISH:MTD SPEC-701-01002	
14	710-0932	1	VIS	FINISH:701-01000	
15	710-1007	1	VIS	FINISH:MTD STD 701-01002	
16	710-1206	2	VIS	FINISH:MTD SPEC-701-01002	
17	710-1325	1	VIS	FINISH:MTD SPEC-701-01002	
18	710-1682	2	VIS HEXAGONALE DIN 933	FINISH:SPEC-100015 21.1441.72	
19	710-3144	1	VIS	710-3144 / 910-3144	
20	711-04036	1	AXE	FINISH:GLANZVERZINKT 911-04036	
21	711-04826	1			
22	711-0677	1	EMBOUT- EX 711-0611	FINISH:VERZINKT SIEHE ZG.	
23	712-0298	1	ECROU EX AF-43015	FINISH:MTD SPEC 701-01000	
24	712-04063	2	ECROU	FINISH:701-01000 712-04063	
25	712-04064	3	ECROU	FINISH:701-01000 912-04064	
26	712-04065	3	ECROU	FINISH:701-01000 912-04065	
27	712-0700	1	ECROU	FINISH:701-01000 912-0700	
28	712-0714	2	ECROU	DIN 6926 MTD SPEC-100015	
29	714-0111	1	EPINGLE	FINISH:GELBVERZINKT	
30	714-0209	1	GOUPILLE	FINISH:VERZINKT 914-0209	
31	714-0470	2	EPINGLE EX AF-43010	FINISH:PHOS & OIL 470 32 32	
32	716-0106A	1	CIRCLIPS	FINISH:701-01000	
33	718-04261	1	CAGE DE ROULEMENT	FINISH:ROSTSCHUTZ SIEHE ZG.	
34	726-0214	1	BOUCHON COUVERCLE 5/8"	FINISH: SCHWARZ	
35	726-0233	1	BOUCHON	FINISH:PHOS AND OIL	
36	732-04505	1			
37	732-0716C	1	RESSORT	FINISH:MTD STD 701-01006	
38	735-0239	1	CAOUTCHOUC/PEDALE 4;0 LG	FINISH: SCHWARZ	
39	736-0272	1	RONDELLE .510x1.00X.060	FINISH:701-01000	
40	736-0275	2	RONDELLE 1.5/16	FINISH:701-01000	
41	736-0300	2	RONDELLE .406X.875 X .059	FINISH:MTD SPEC-100015	
42	736-0362	1	RONDELLE .320ID X 1.25 OD X .0	FINISH:701-01001	
43	736-3019	1	RONDELLE	FINISH:MTD STD 701-01001	
45	738-0347	1	DOUILLE/ ENTRETOISE / 625 X 1	FINISH:	
46	741-0124	2	ROULEMENT 669 IDX1 574 OD X.47	741-0124	
47	741-0591	2	SUPPORT DE BRIDE 630"	741-0591/941-0591	
48	747-04815	1			
49	747-04897	1			
50	748-04175	1			
51	750-04456	1	DOUILLE	FINISH:VERZINKT SIEHE ZG.	
52	750-04962	2			
53	750-04988	1			
54	754-04170	1	COURROIE MOTEUR	POLY	
55	754-04171	1	COURROIE DE LAME	POLY	
56	756-04224	1	POULIE TENDEUR	FINISH:SIEHE ZG.	
57	756-04298	1			
58	756-04324	1	UMLENKROLLE V-TYPE 5LX3.06DIA	FINISH:GRAU LACKIERT	
59	783-05705	1			
60	783-05714	1			
61	783-05844	1			
62	783-05855	1			
63	783-05882	1			
64	783-1363	1	PLAQUE SUPPORT		

92/13AH760E659 (2008)/Traction



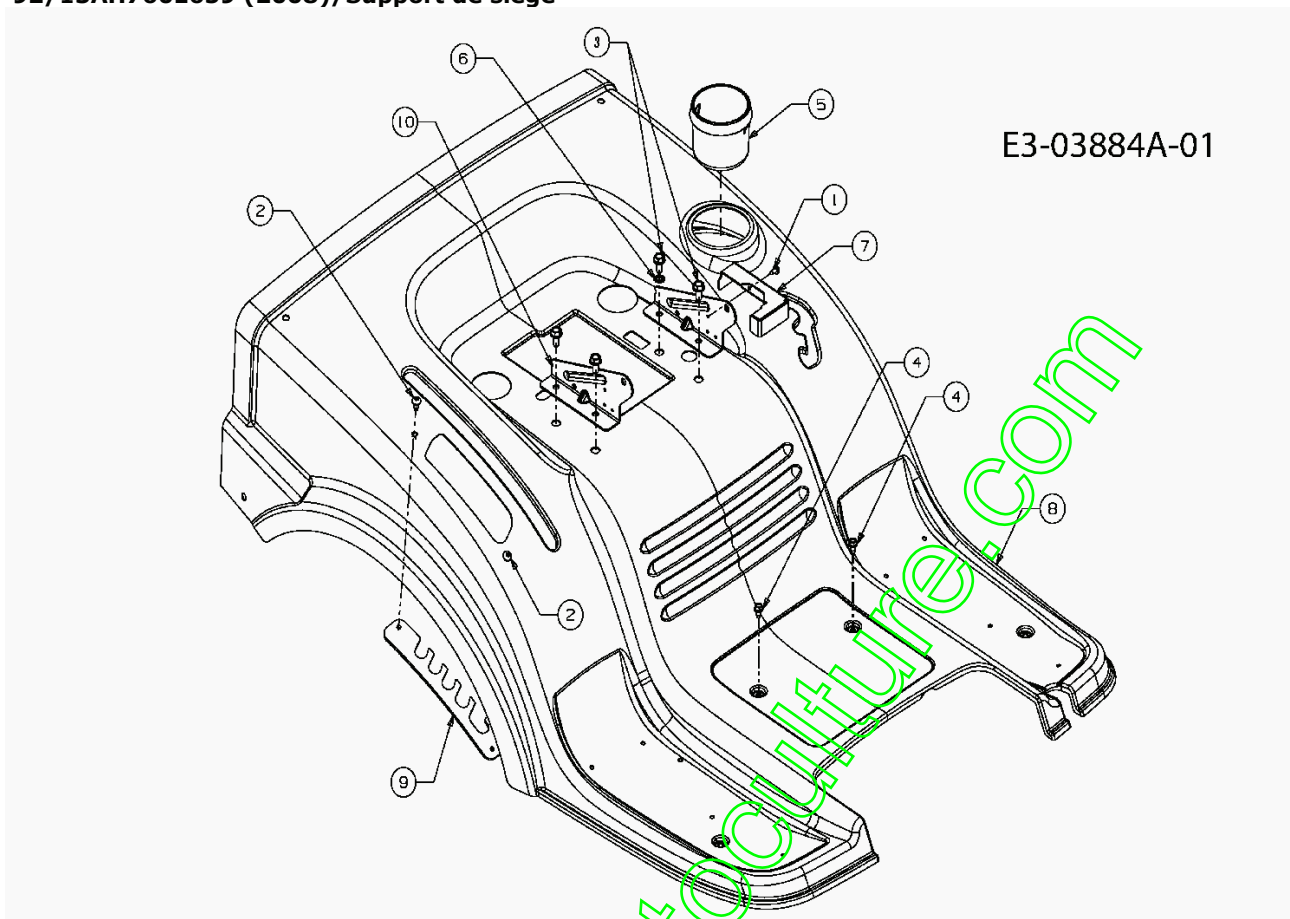
E3-03859A-01

Traction

Position	Partnumber	Quantity	Designation	Standard	Additional
1	618-04575	1			
2	647-04132	1			
3	647-04140	1			
4	710-0604A	2	VIS	FINISH:MTD SPEC-701-01002	
5	710-0809	1	VIS	FINISH:MTD SPEC-701-01002	
6	710-3008	1	VIS :5/16-18:.75	FINISH:MTD STD 701-01000	
7	712-04063	1	ECROU	FINISH:701-01000 712-04063	
8	718-0758A	1	ENTRETOISE DE POULIE	VERZAHNUNG 918-0758A	
9	720-04028	1	POIGNEE INVERSEUR	FINISH:SCHWARZ	
10	732-04488	1	RESSORT	FINISH:701-01006	
11	732-04517	1	732-04517	FINISH:PHOS AND OIL	
12	747-04780	1			
13	747-04803	1			
14	747-04850	1			
15	750-0566A	1	ENTRETOISE	FINISH:VERZINKT SIEHE ZG.	
16	783-04536B	1			
17	783-05853A	1			

www.emc-motoculture.com

92/13AH760E659 (2008)/Support de siège

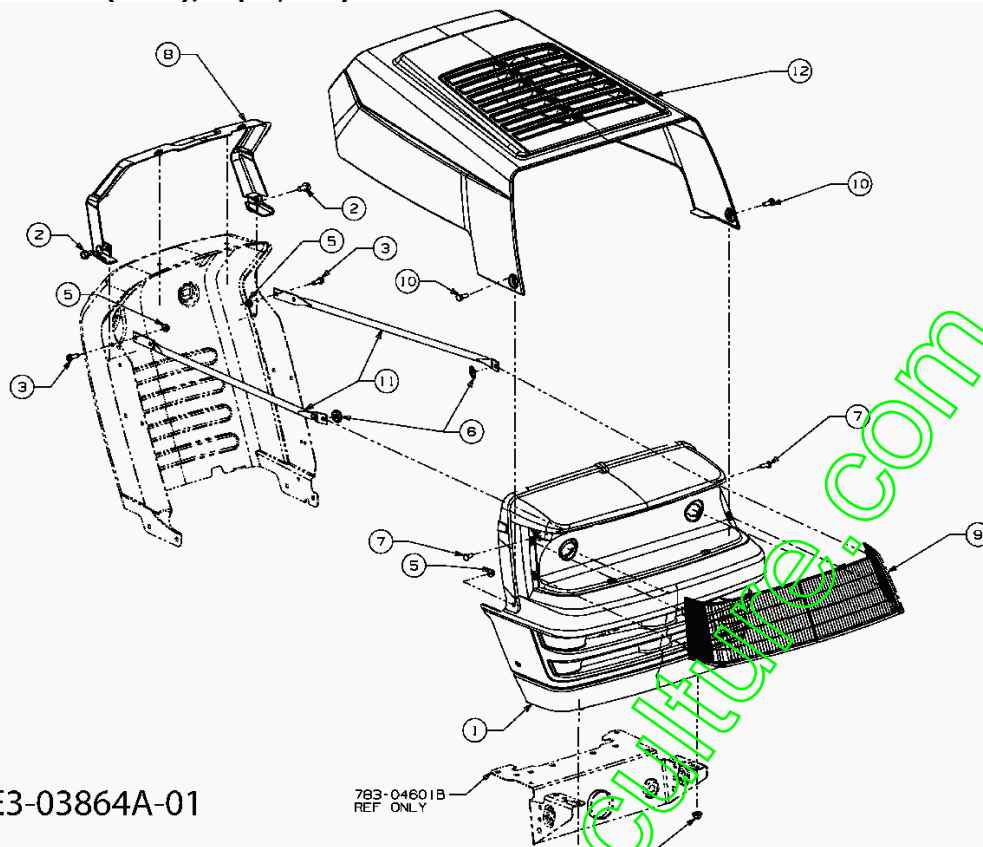


Support de siège

Position	Partnumber	Quantity	Designation	Standard	Additional
1	710-0224	1	VIS	FINISH:MTD STD 701-01002	
2	710-04483	2	VIS:TT:1/4-20:.500:TRUSTRXI	FINISH:MTD SPEC-701-01002	
3	710-04484	4	VIS	FINISH:701-01002	
4	710-0599	2	VIS	FINISH:MTD SPEC-701-01002	
5	731-04591A	1	BOUCHON	SCHWARZ	
6	736-0607	1	RONDELLE	FINISH:MTD STD 701-01001	
7	783-04877A	1			
8	783-05744	1			
9	783-05875	1			
10	783-1489C	2			

www.emc-motoculture.com

92/13AH760E659 (2008)/Capot,0-Style



E3-03864A-01

783-04601B
REF ONLY

www.emc-motoculture.com

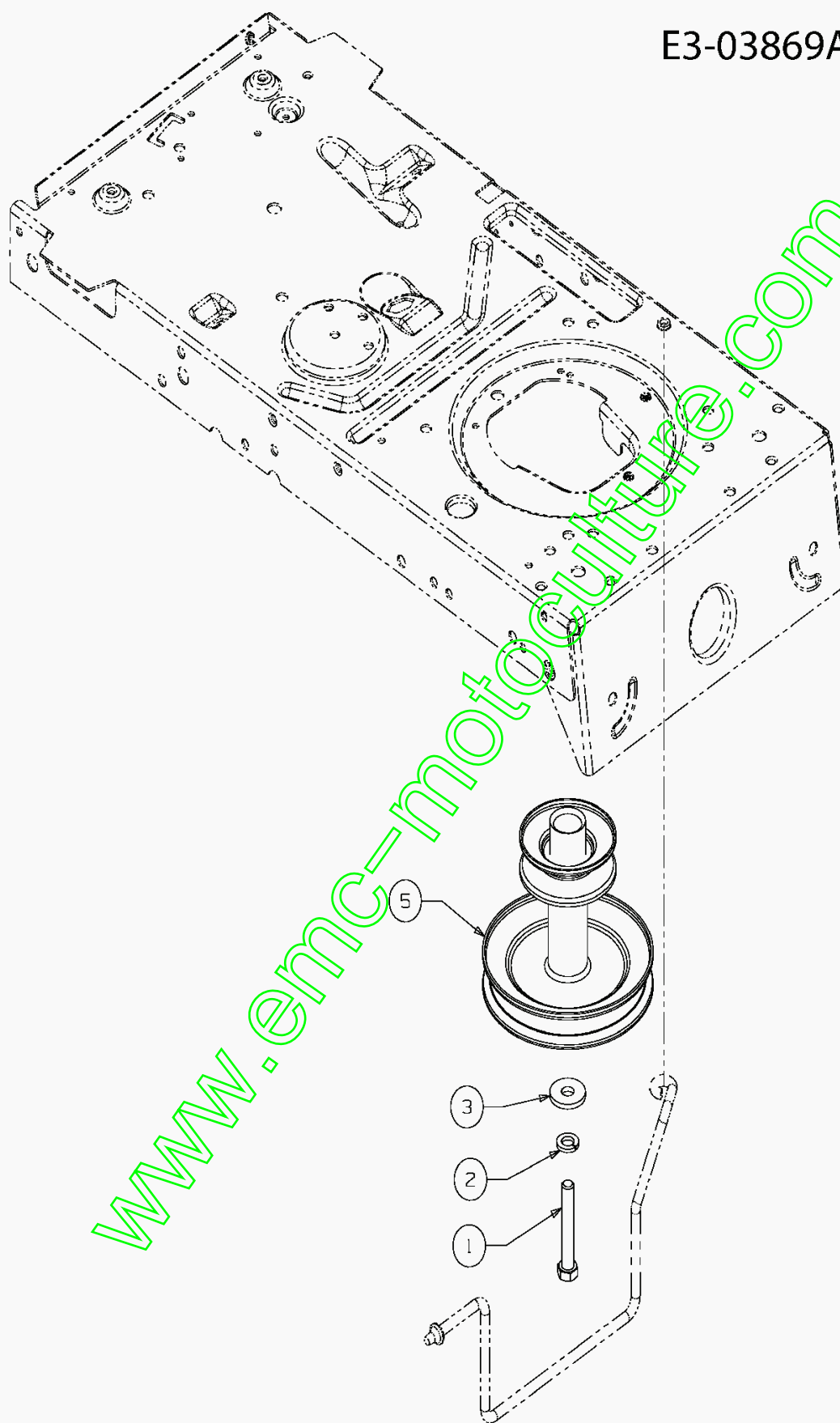
Capot,0-Style

Position	Partnumber	Quantity	Designation	Standard	Additional
1	631-04200	1			
2	710-04484	2	VIS	FINISH:701-01002	
3	710-0642	2	VIS	MTD SPEC-701-01002 910-0642	
4	712-04063	2	ECROU	FINISH:701-01000 712-04063	
5	712-04064	4	ECROU	FINISH:701-01000 912-04064	
6	726-04012	2	RONDELLE AUBLOQUANTE	FINISH:PHOS & OIL 926-04012	
7	728-0162	2	RIVET	FINISH:PHOS & OIL	
8	731-05012B	1			
9	731-1601	1	OPTIQUE NOIR	FINISH:SCHWARZ	
10	738-0952A	2	VIS	FINISH:701-01000	
11	749-0722C	2	749-0722C-0637	749-0722C-0637	
12	783-04608	1	CAPOT STYLE 2	FINISH:LACKIERT	

www.emc-motoculture.com

92/13AH760E659 (2008)/Poulie moteur

E3-03869A-01

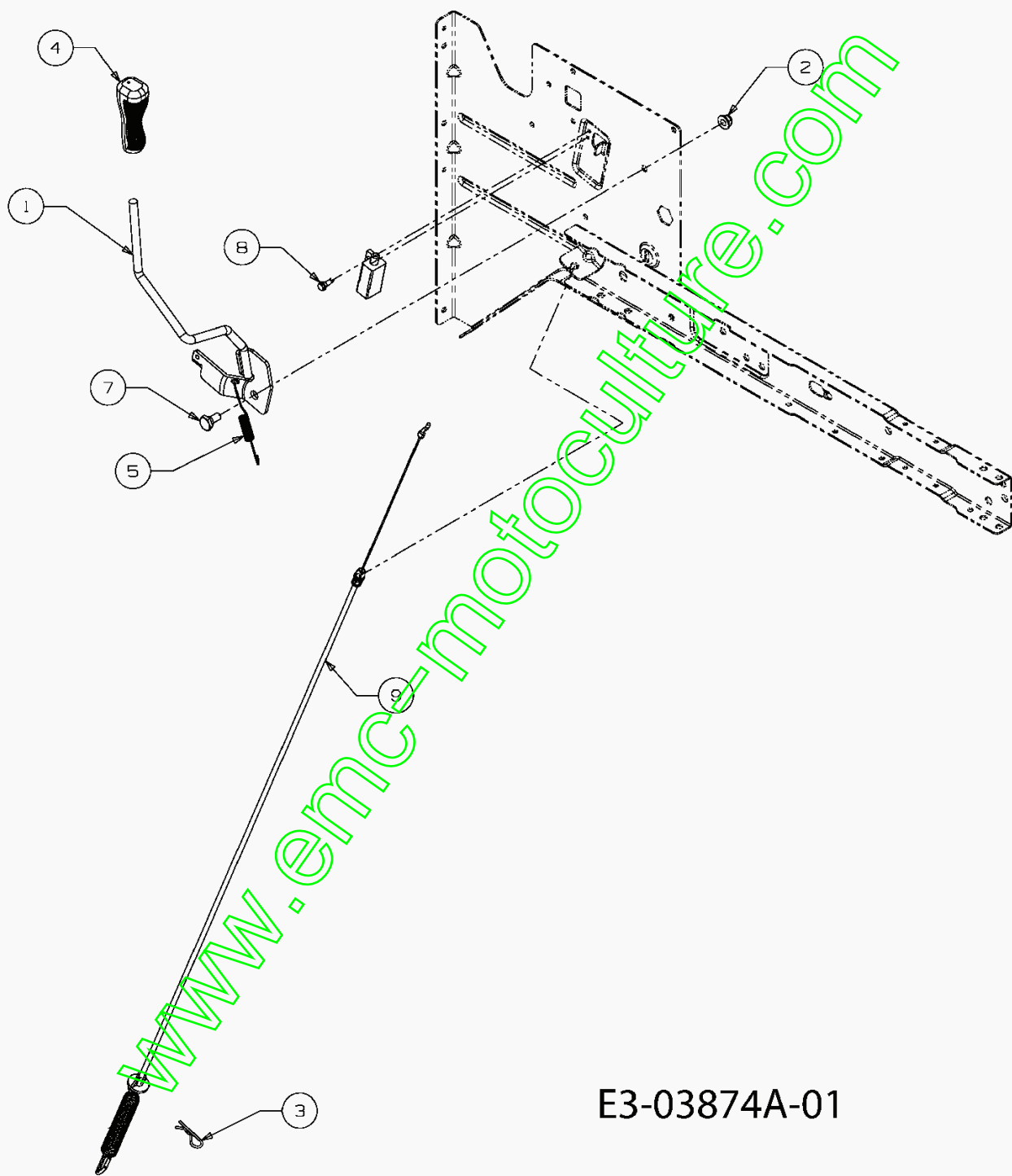


Poulie moteur

Position	Partnumber	Quantity	Designation	Standard	Additional
1	710-04607	1			
2	736-0171	1	RONDELLE 7/16"	FINISH:MTD STD 701-01001	
3	736-0322	1	RONDELLE .450 X 1.250 X .164	936-0322 / FINISH:701-01001	
5	756-04310	1			

www.emc-motoculture.com

92/13AH760E659 (2008)/Levier de comm.PTO



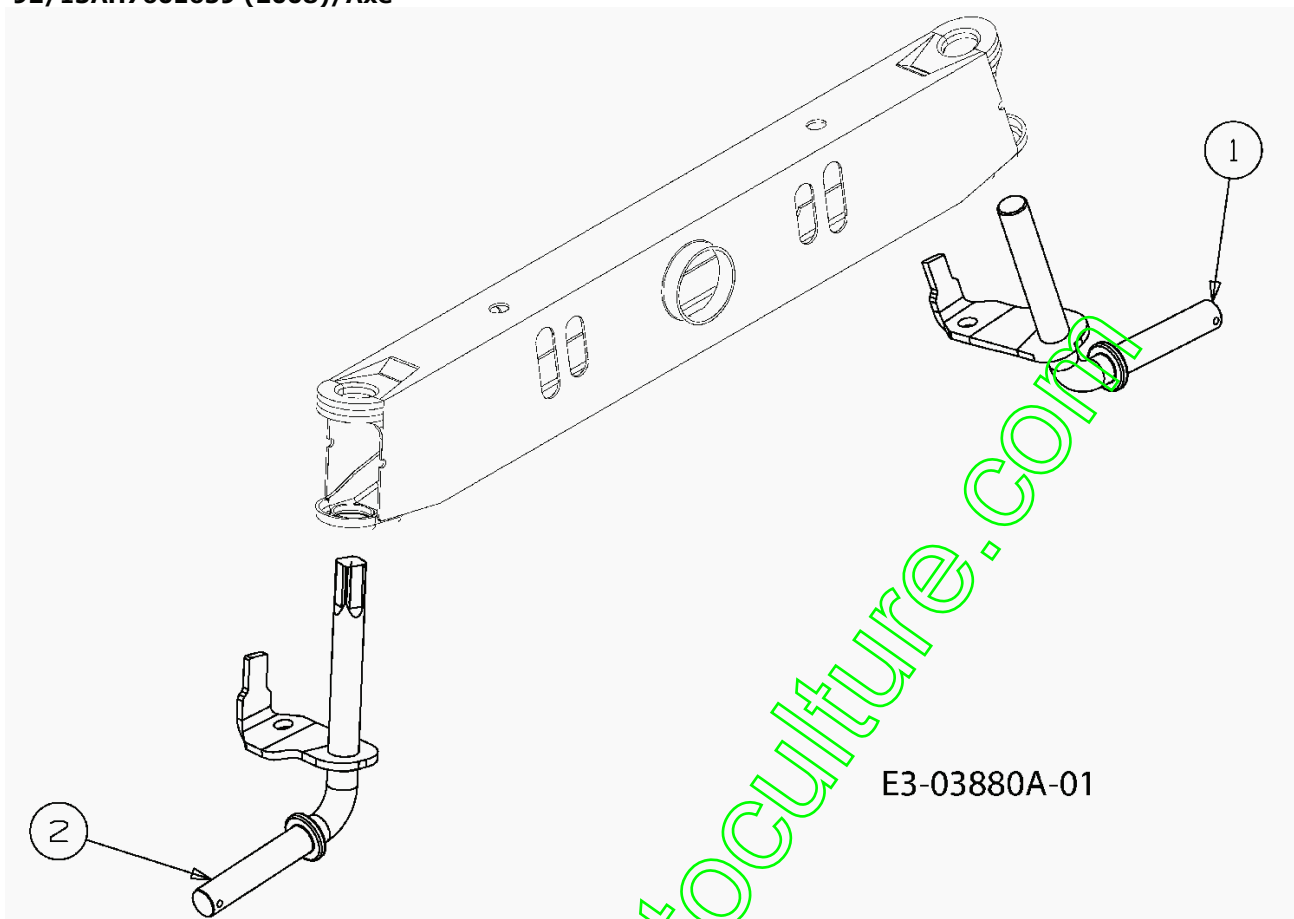
E3-03874A-01

Levier de comm.PTO

Position	Partnumber	Quantity	Designation	Standard	Additional
1	647-04137	1			
2	712-04063	1	ECROU	FINISH:701-01000 712-04063	
3	714-0145	1	GOUPILLE	FINISH:PHOS & OIL	
4	720-04049A	1			
5	732-04276A	1	732-04276A	FINISH:701-01006	
7	738-0140	1	AXE	FINISH:VERZINKT	
8	738-04237A	1			
9	746-04488	1	746-04488	MIT DICHRING	

www.emc-motoculture.com

92/13AH760E659 (2008)/Axe



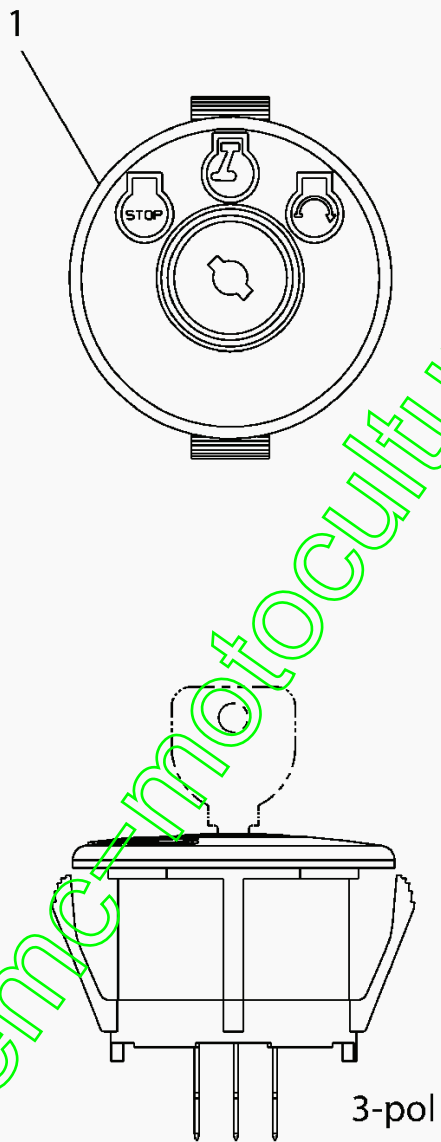
E3-03880A-01

Axe

Position	Partnumber	Quantity	Designation	Standard	Additional
1	638-04013	1			
2	638-04014	1			

www.emc-motoculture.com

92/13AH760E659 (2008)/Contacteur



www.emc-motoculture.com

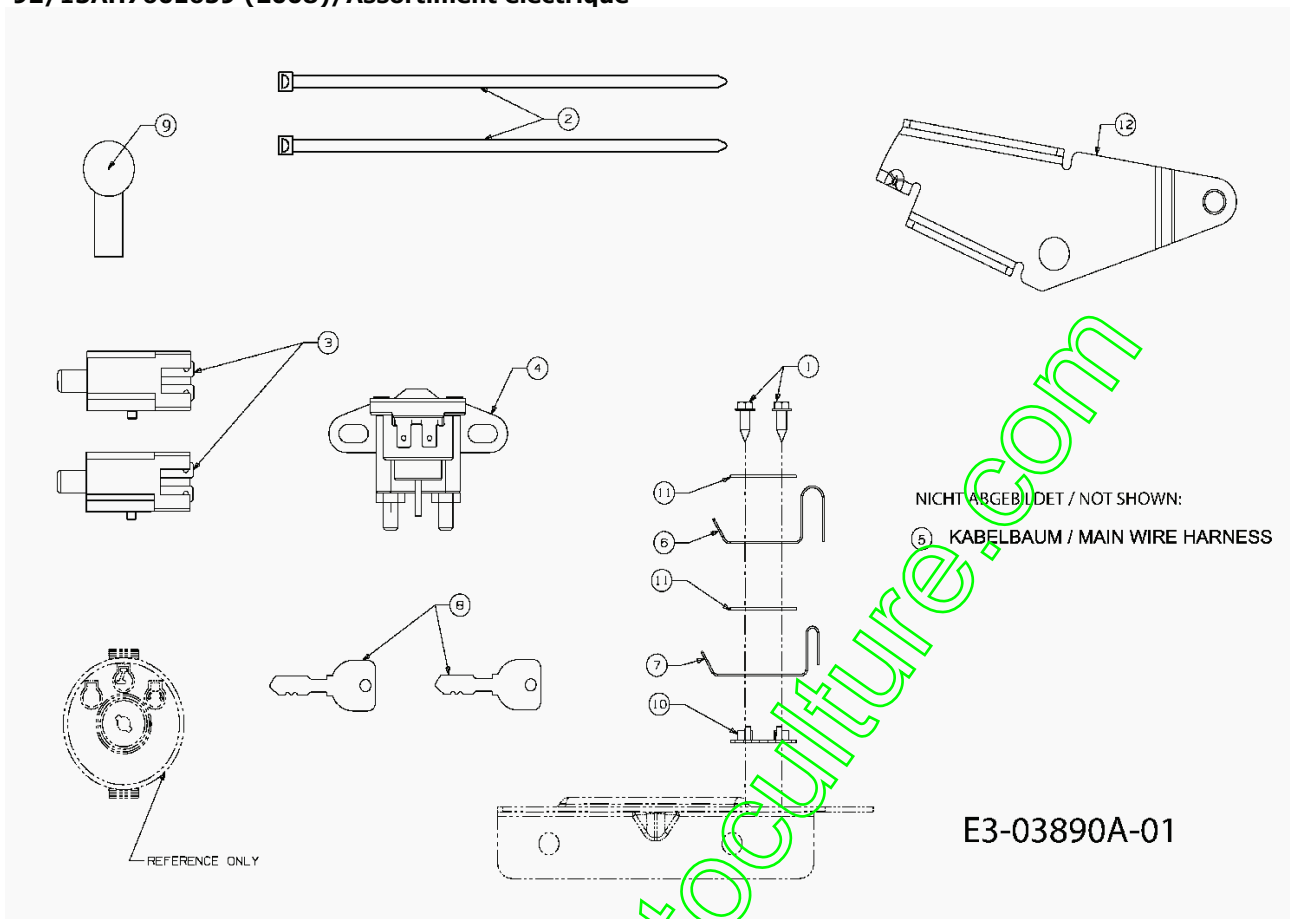
E3-04006A-01

Contacteur

Position	Partnumber	Quantity	Designation	Standard	Additional
1	725-04659	1	CONTACTEUR A CLEF		

www.emc-motoculture.com

92/13AH760E659 (2008)/Assortiment électrique

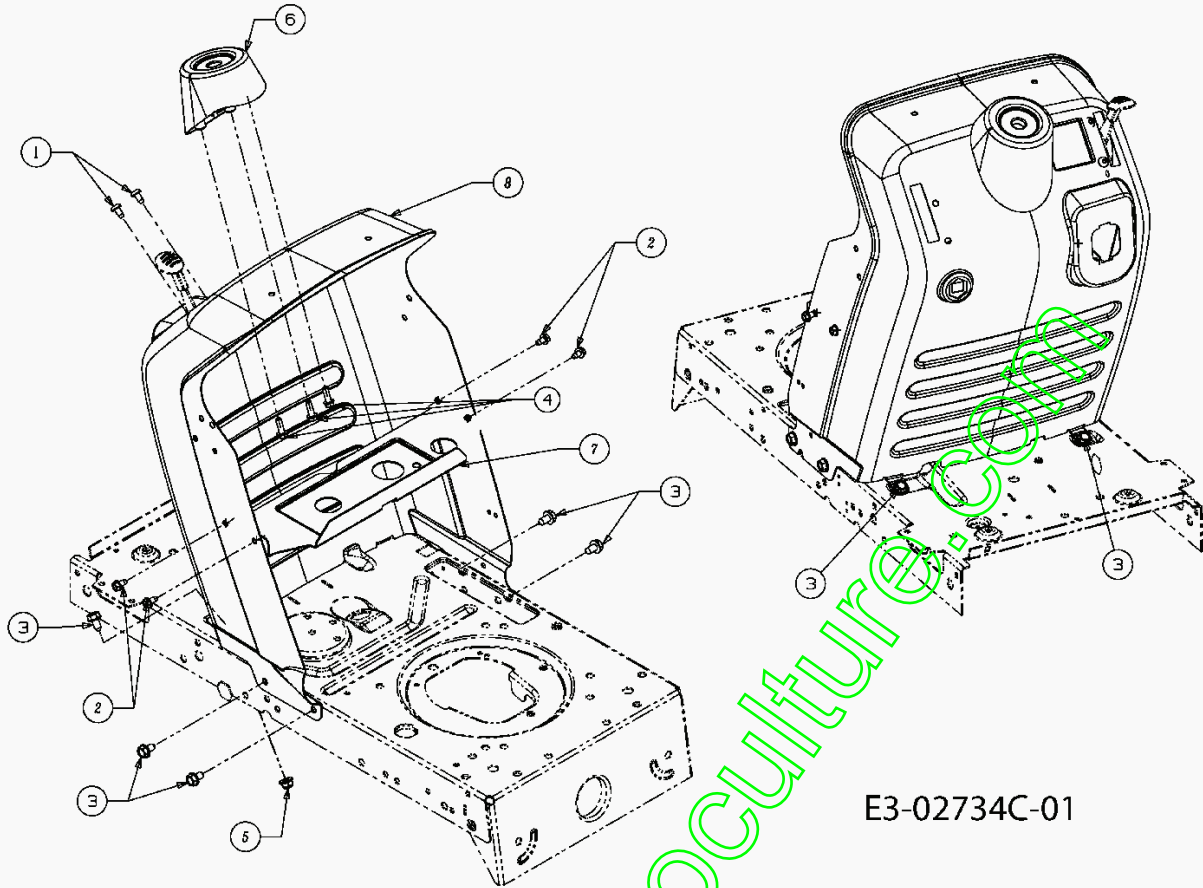


Assortiment électrique

Position	Partnumber	Quantity	Designation	Standard	Additional
1	710-0227	2	VIS:#8-18:0.500:HXIN	FINISH:MTD STD 701-01002	
2	725-0157	2	COLLIER CABLE 3/16X.05x7.4	PB-Nr. 5652 schwarz	
3	725-04363	2	SECURITE	FINISH:SIEHE ZG.	
4	725-04439	1	SOLENOIDE	725-04439	
5	725-04647B	1			
6	725-1303	1	EPINGLE	FÜR SI.-SCHALTER SITZ	
7	725-1439	1	SECURITE SIEGE	FÜR SI.-SCHALTER SITZ	
8	725-1744	2	CLE DE CONTACT		
9	725-3237	1	COUVERCLE POLE / ROUGE	BATTERIE FINISH:ROT	
10	726-0278	1	PLAQUE / ISOLATION	FINISH:NATUR ODER SCHWARZ	
11	726-0279	2	PLAQUE D ISOLATION	FINISH:NATUR ODER SCHWARZ	
12	783-04903	1			

www.emc-motoculture.com

92/13AH760E659 (2008)/Panneau



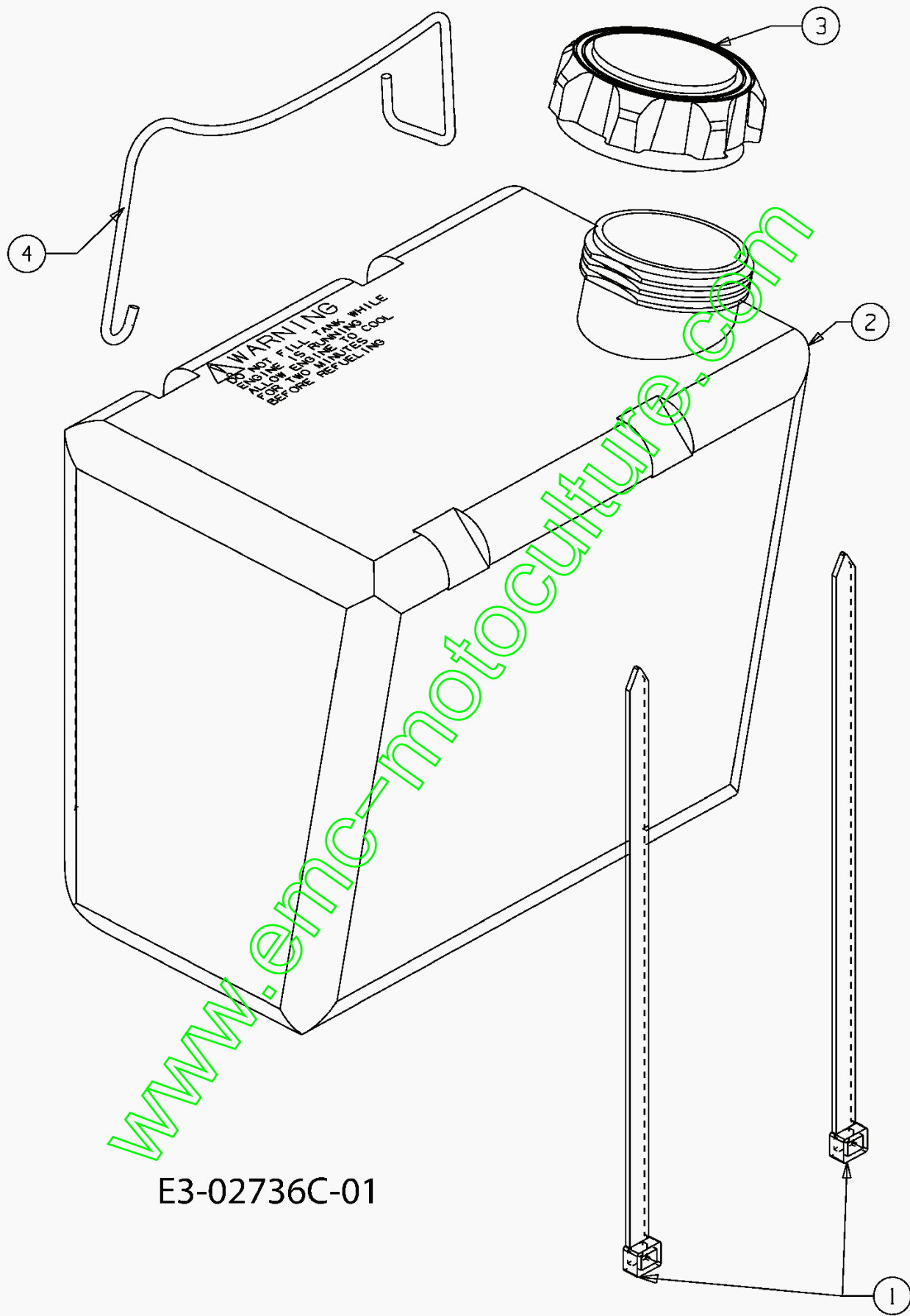
www.emc-motoculture.com

Panneau

Position	Partnumber	Quantity	Designation	Standard	Additional
1	710-04483	2	VIS:TT:1/4-20:.500:TRUSTRXI	FINISH:MTD SPEC-701-01002	
2	710-0599	4	VIS	FINISH:MTD SPEC-701-01002	
3	710-0604A	6	VIS	FINISH:MTD SPEC-701-01002	
4	710-0895	3	VIS	FINISH:701-01002	
5	712-04063	1	ECROU	FINISH:701-01000 712-04063	
6	731-04945	1	SUPPORT VOLANT		
7	783-04584	1	HALTEBLECH:BENZINTANK		
8	783-04873	1	TABLEAU DE BORD	FINISH:LACKIERT	

www.emc-motoculture.com

92/13AH760E659 (2008)/Reservoir



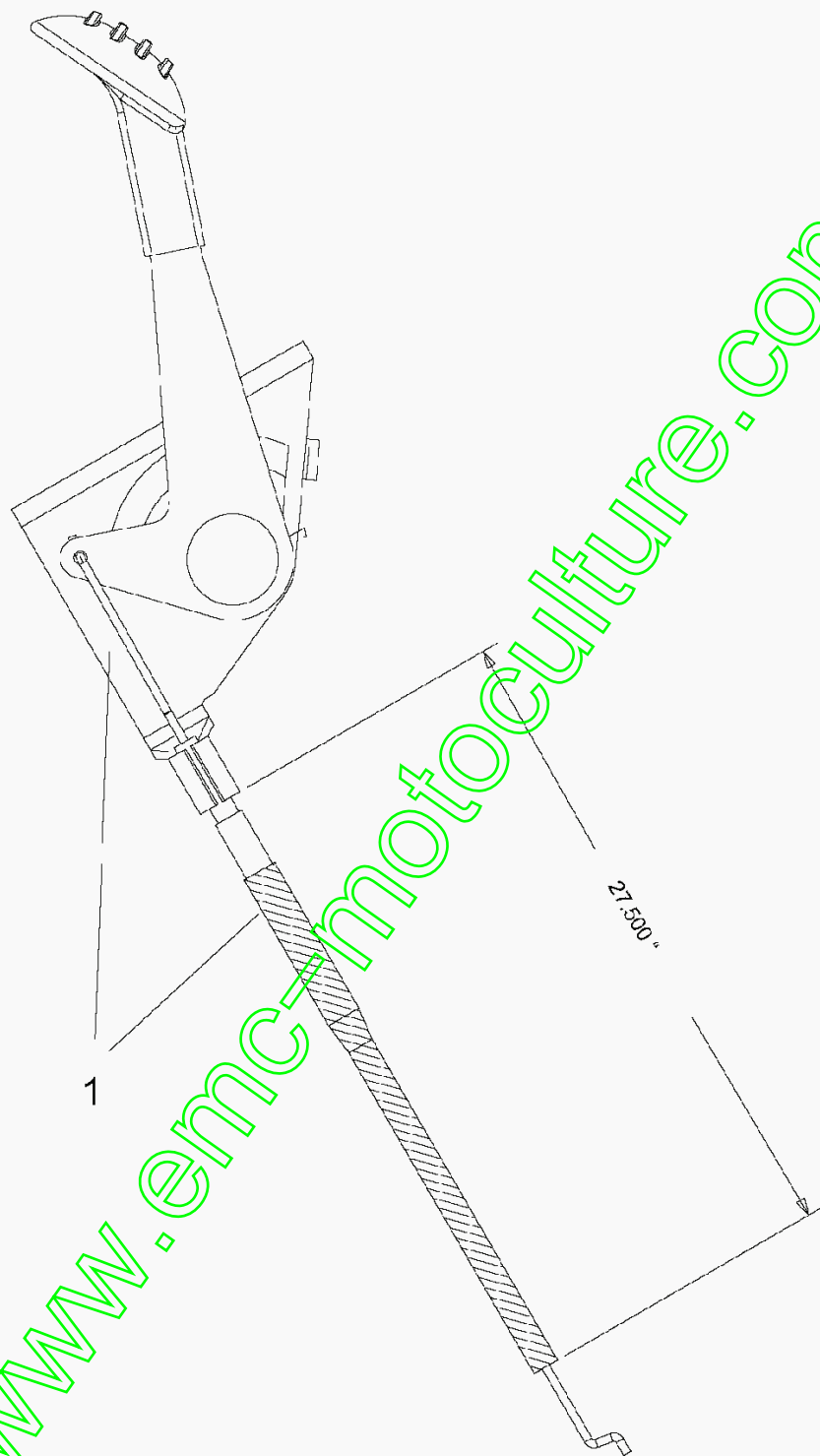
E3-02736C-01

Reservoir

Position	Partnumber	Quantity	Designation	Standard	Additional
1	726-0209	2	COLLIER CABLE	5615 PB FINISH: SCHWARZ	
2	751-0553	1	RESERVOIR 5 L ENV.	1.25 GALLON FINISH: SIEHE ZG.	
3	751-0603	1	BOUCHON RESERVOIR ESSENCE	FINISH: SCHWARZ	
4	747-04660	1			

www.emc-motoculture.com

92/13AH760E659 (2008)/Cable de gaz



E3-03794A-01

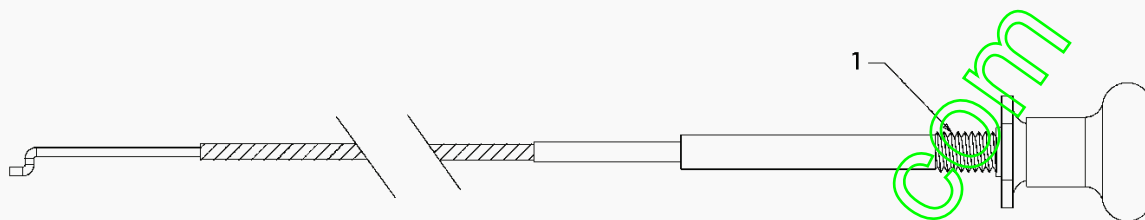
Cable de gaz

Position	Partnumber	Quantity	Designation	Standard	Additional
1	746-04406	1	CABLE ACCELERATEUR	FERNBEDIENUNG	

www.emc-motoculture.com

92/13AH760E659 (2008)/Cable de frein

E3-04008A-01



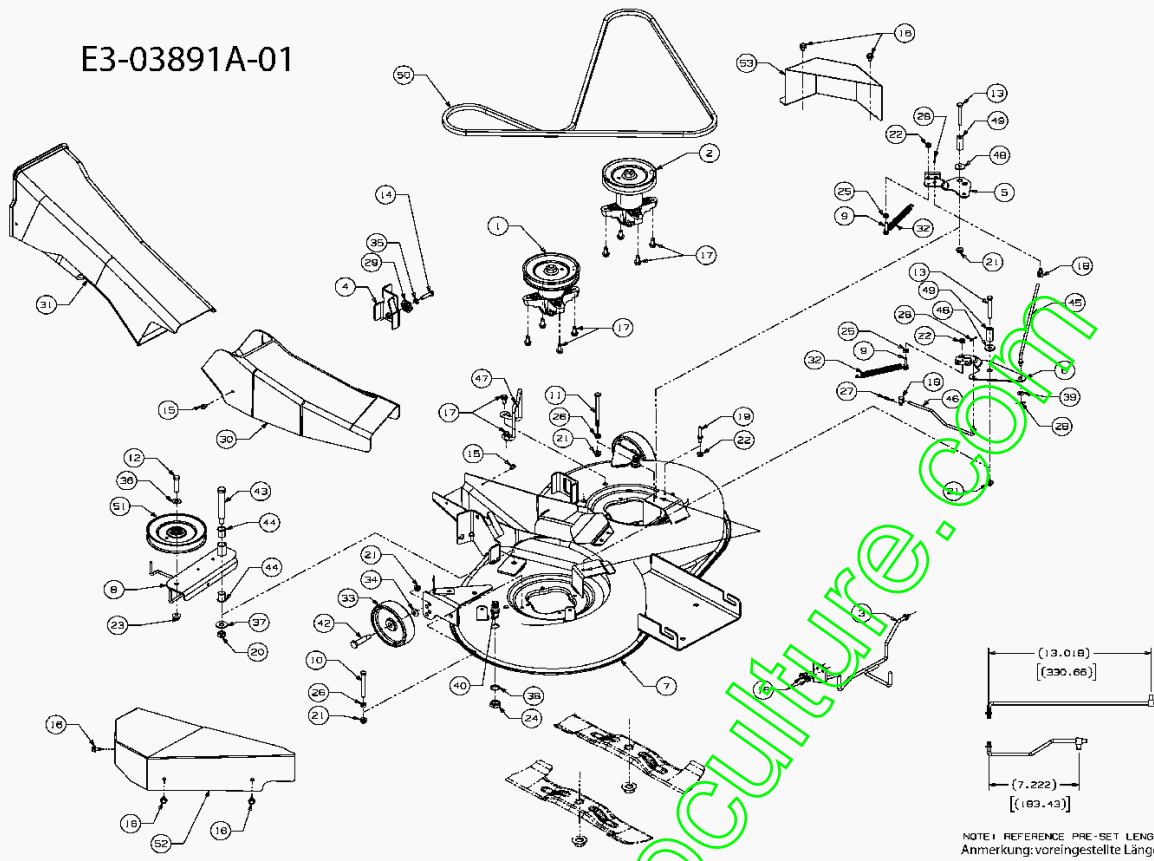
Cable de frein

Position	Partnumber	Quantity	Designation	Standard	Additional
1	746-1089	1	29.0 LG x 1.50 EXT	29.0 LG x 1.50 EXT	

www.emc-motoculture.com

92/13AH760E659 (2008)/Plateau de coupe

E3-03891A-01



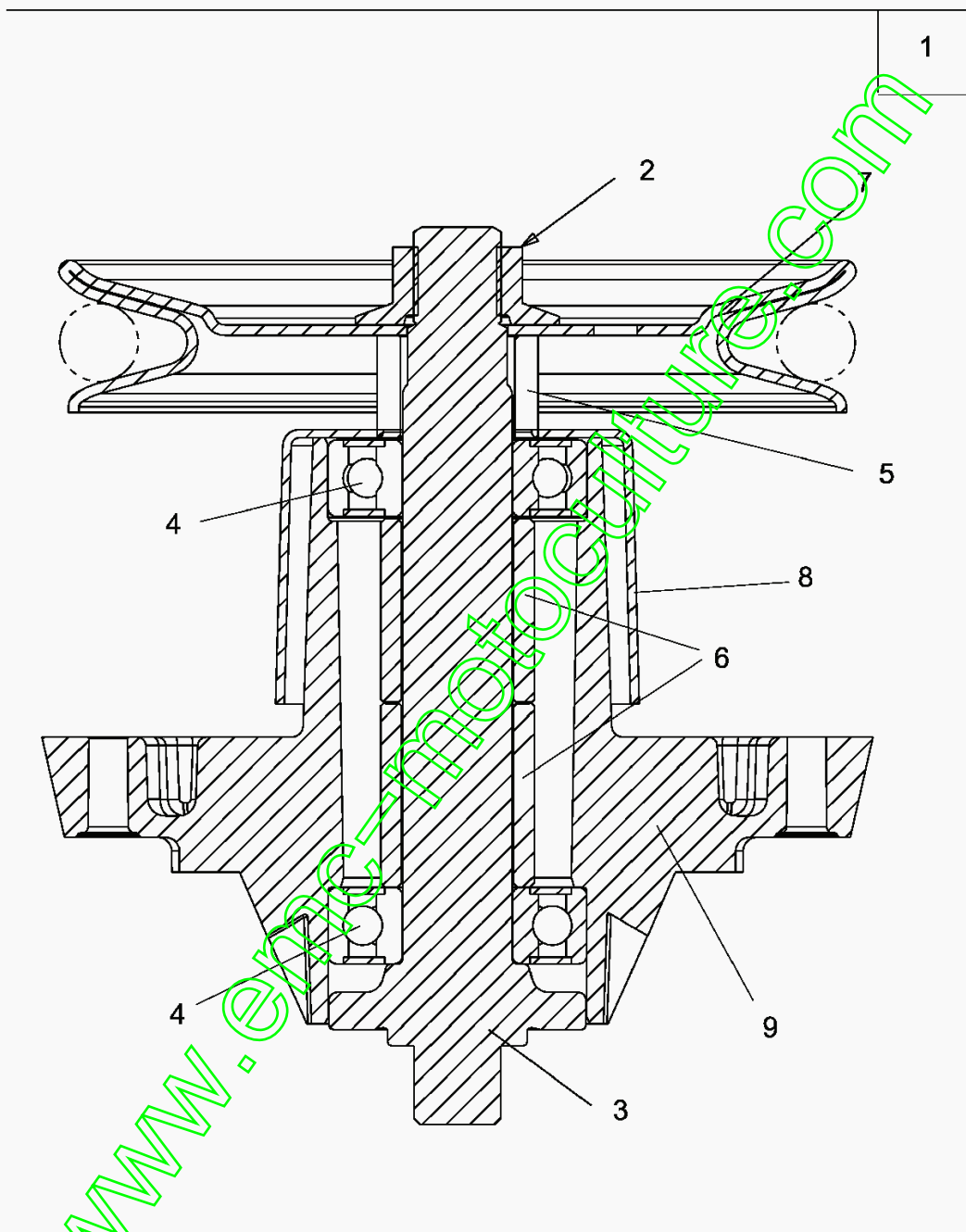
Nur zur Referenz / only for reference

www.emc-motoculture.com

Plateau de coupe

Position	Partnumber	Quantity	Designation	Standard	Additional
1	618-0324C	1			
2	618-0409B	1			
3	647-04144	1			
4	683-04396	1			
5	683-04409	1			
6	683-04417	1			
7	683-04418	1			
8	683-04420	1			
9	710-0106	2	VIS	FINISH:MTD STD 701-01000	
10	710-0189	1	VIS	FINISH:MTD 701-01000 910-0189	
11	710-0190	1	VIS	STD	
12	710-0347	1	VIS	FINISH:701-01000	
13	710-0378	2	VIS	FINISH:701-01000	
14	710-0528	1	VIS	FINISH:701-01000 910-0528	
15	710-0599	2	VIS	FINISH:MTD SPEC-701-01002	
16	710-0607	7	VIS	FINISH:MTD SPEC-701-01002	
17	710-1260A	10	VIS TT:5/16-18:..750 HXINDWSH	LAGERGEH.MESSERWELLE:701-01002	
18	711-0736	2	AXE	FINISH:MTD SPEC 701-01000	
19	711-0993	1	GUIDE COURROIE	FINISH:701-01006 911-0993	
20	712-0290	1	ECROU	FINISH:701-01000	
21	712-04063	6	ECROU	FINISH:701-01000 712-04063	
22	712-04064	3	ECROU	FINISH:701-01000 912-04064	
23	712-04065	1	ECROU	FINISH:701-01000 912-04065	
24	712-0641	2	ECROU A OREILLES	FINISH: 701-01000 24.1424.31	
25	712-3006	2	ECROU	FINISH:701-01000	
26	712-3010	2	ECROU	FINISH:701-01000	
27	714-0104	1	GOUPILLE	FINISH:PHOS AND OIL	
28	714-0507	3	EPINGLE	FINISH:701-01000	
29	717-04074	1	PIGNON HAUTEUR PLATEAU	917-04074	
30	731-06251	1	FINISH:Schwarz	FINISH:Schwarz	
31	731-06252	1	FINISH:Schwarz	FINISH:Schwarz	
32	732-0604	2	RESSORT	FINISH:PHOS & OIL	
33	734-0973	2	ROUE DE PLATEAU	Schwarz	
34	736-0105	2	RONDELLE BELLEVILLE	FINISH:MTD SPEC-100016	
35	736-0119	1	RONDELLE 5/16	FINISH:701-01001	
36	736-0300	1	RONDELLE .406X.875 X .059	FINISH:MTD SPEC-100015	
37	736-04097A	1	RONDELLE	FINISH:701-01000	
38	736-0760	2	RONDELLE 17X23.8X1.95	FINISH:701-01001	
39	736-3020	1	RONDELLE	FINISH:701-01000	
40	737-04003C	2	GICLEUR:PLATEAU:EAU	FINISH:FINIDIP 140 -VERZINKT-	
42	738-0373	2	AXE DE ROUE DE PLATEAU	FINISH:701-01000	
43	738-0476	1	VIS: .625x3.50:7/16-14	FINISH:PHOS & OIL	
44	741-0591	2	SUPPORT DE BRIDE .630	741-0591/941-0591	
45	747-04781	1			
46	747-04782	1			
47	747-04840	1			
48	748-0234	2	ENTRETOISE	FINISH:ROSTPREVENTION	
49	750-04993	2			
50	754-04175	1	COURROIE DE COUPE	754-04175	
51	756-04050	1	POULIE DE RENVOI DROITE	FINISH:Schwarz LACKIERT	
52	783-05657	1			
53	783-05891	1			

92/13AH760E659 (2008)/Axe de Lame



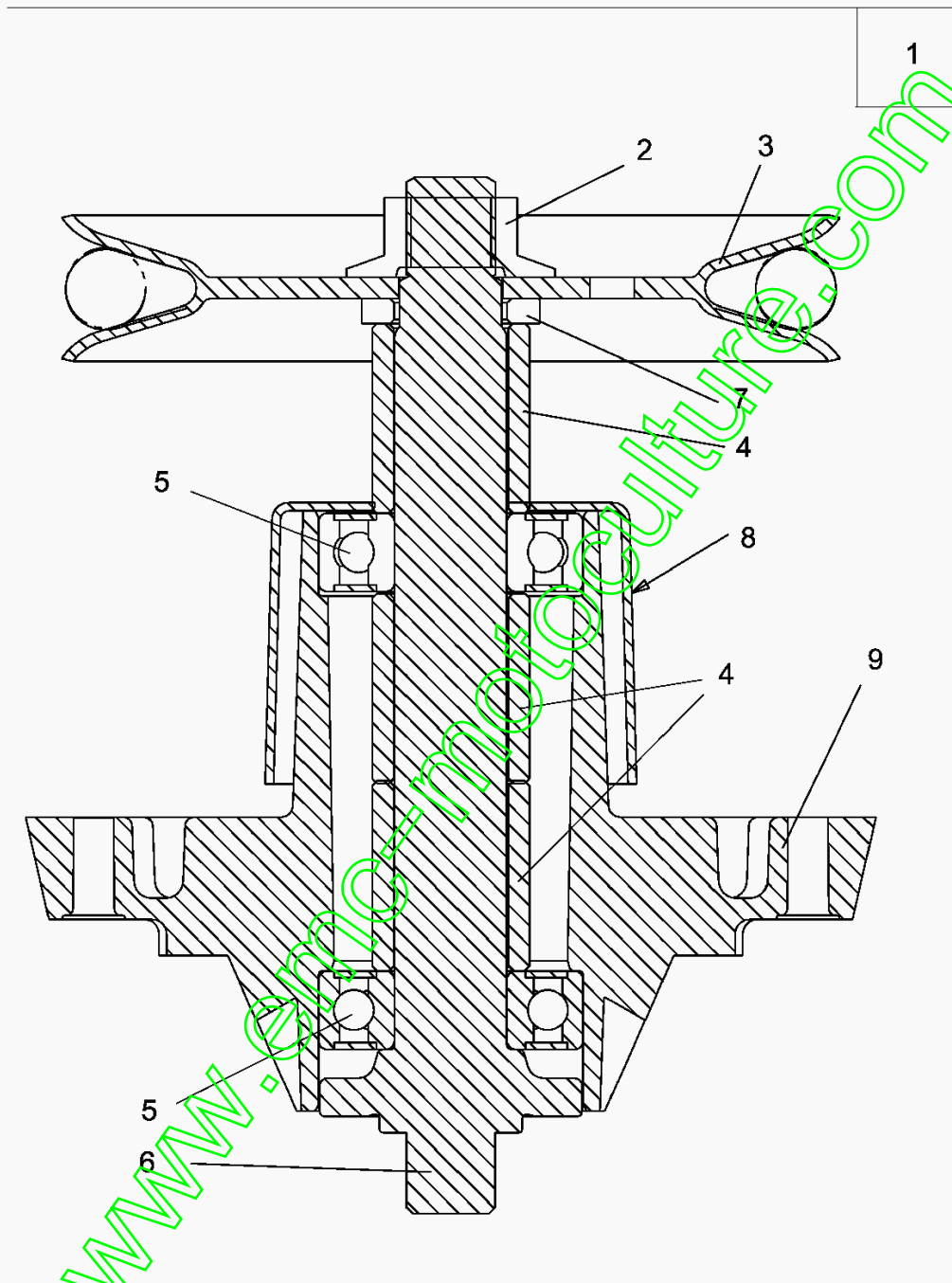
E3-01665B-01

Axe de Lame

Position	Partnumber	Quantity	Designation	Standard	Additional
1	618-0324C	1			
2	712-0417A	1	ECROU	FINISH:701-01000	
3	738-1010A	1	AXE DE PALIER 618-0324A	FINISH:GEÖLT	
4	741-0919	2	ROULEMENT DE PALIER DE LAME	C3	
5	748-0433	1	DOUILLE	FINISH:GEÖLT	
6	750-1000	2	ENTRETOISE	FINISH:GEÖLT	
7	756-1188	1	POULIE	5.75 DIA	
8	731-06077	1	FINISH:NATURAL	FINISH:SCHWARZ	
9	619-0019C	1	FINISH:WIE GEGOSSEN	FINISH:WIE GEGOSSEN	

www.emc-motoculture.com

92/13AH760E659 (2008)/Palier cpl.



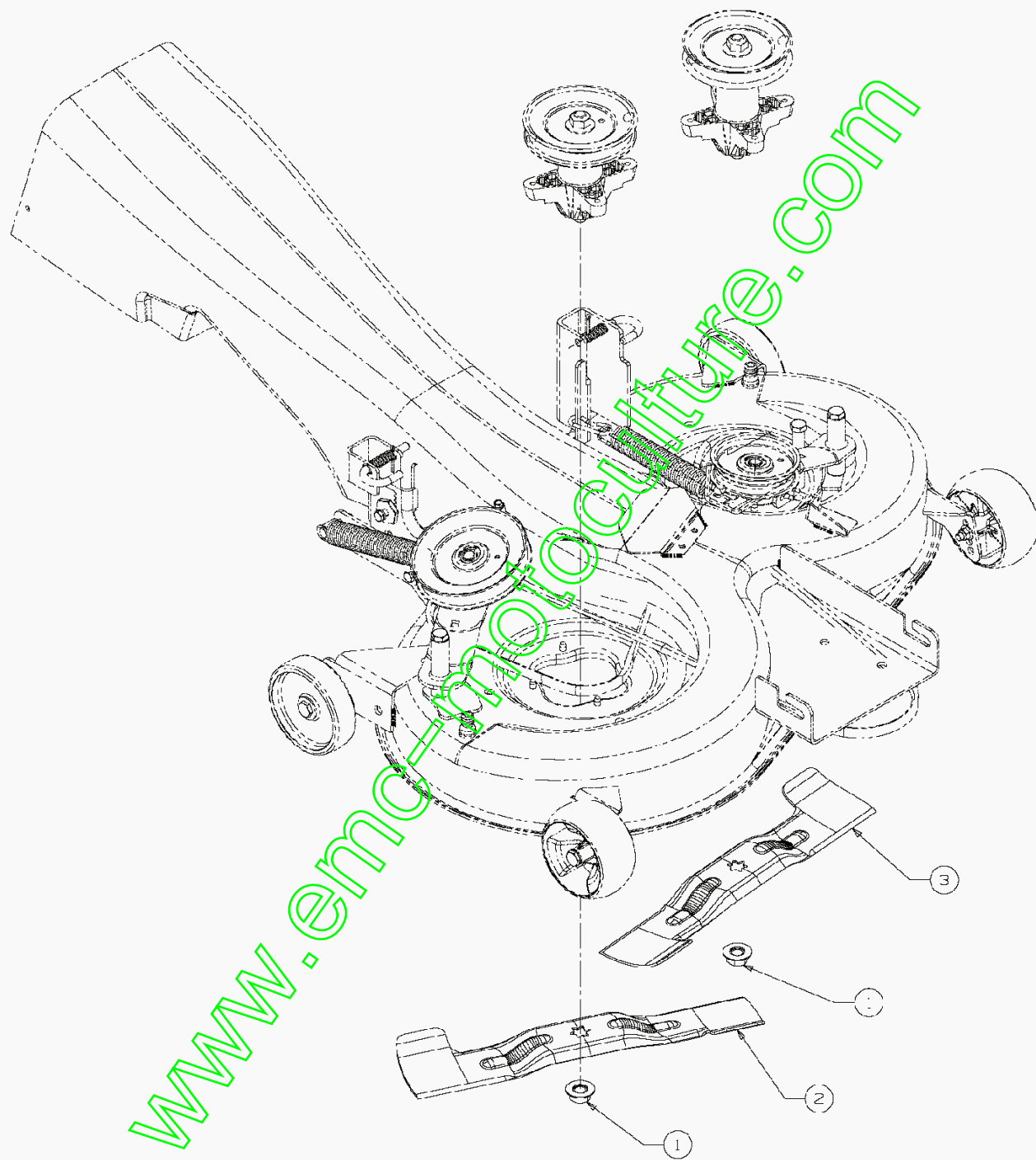
E3-01365B-01

Palier cpl.

Position	Partnumber	Quantity	Designation	Standard	Additional
1	618-0409B	1			
2	712-0417A	1	ECROU	FINISH:701-01000	
3	756-04216	1	POULIE DE PALIER DE LAME	FINISH:MTD STD 701-01000	
4	750-1000	3	ENTRETOISE	FINISH:GEÖLT	
5	741-0919	2	ROULEMENT DE PALIER DE LAME	C3	
6	738-1128	1	AXE DE PALIER DE LAME	FINISH:EINGEÖLT	
7	748-0160A	1	SCHEIBE:.790 ID x 1.25 ODx.175		
8	731-06077	1	FINISH:NATURAL	FINISH:SCHWARZ	
9	619-0019C	1	FINISH:WIE GEGOSSEN	FINISH:WIE GEGOSSEN	

www.emc-motoculture.com

92/13AH760E659 (2008)/Lame



E3-03075A-01

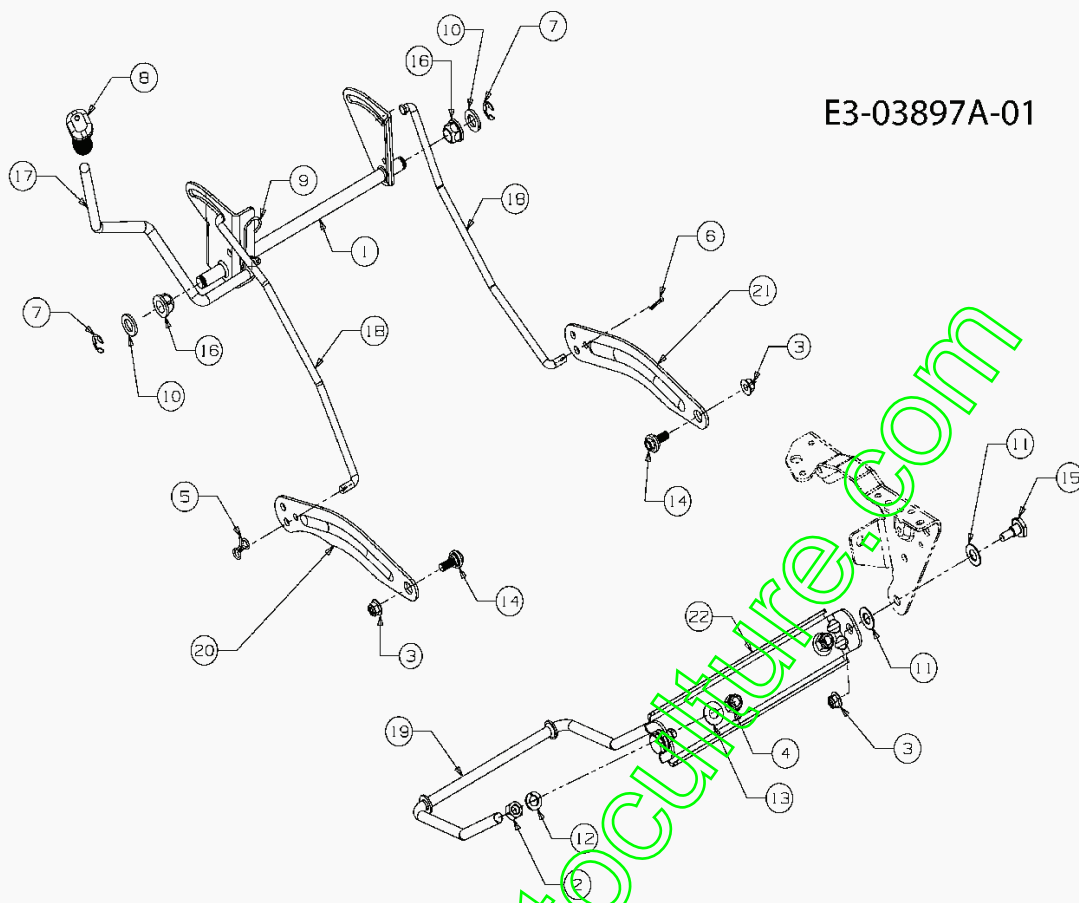
Lame

Position	Partnumber	Quantity	Designation	Standard	Additional
1	712-0417A	2	ECROU	FINISH:701-01000	
2	742-0672	1	LAME DROITE COUPE 92CM ARRIERE		
3	742-0673	1	LAME GAUCHE COUPE 92CM ARRIERE		

www.emc-motoculture.com

92/13AH760E659 (2008)/Relevage plateau de coupe

E3-03897A-01



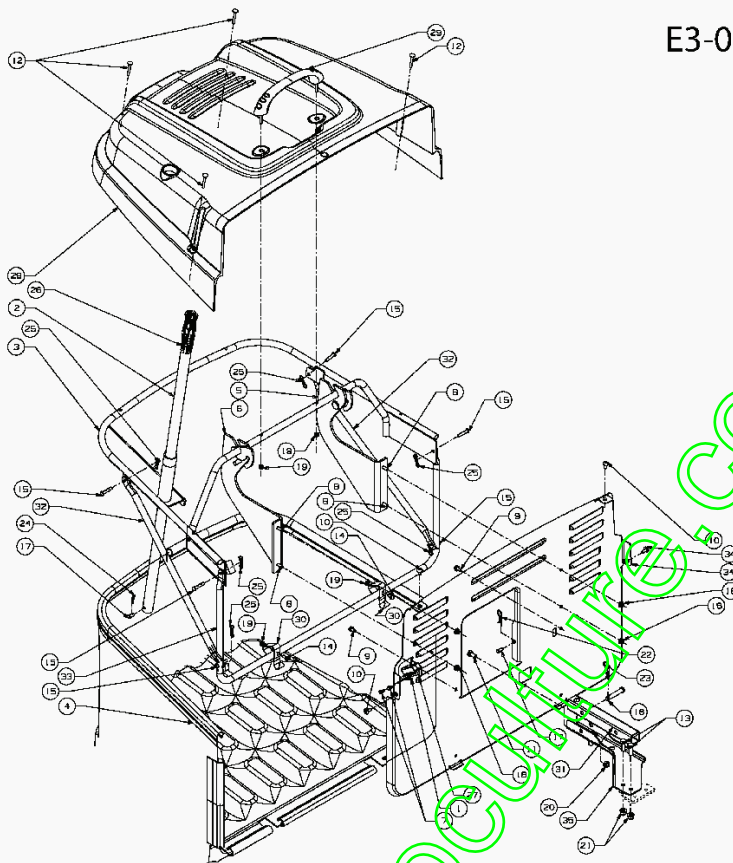
Relevage plateau de coupe

Position	Partnumber	Quantity	Designation	Standard	Additional
1	683-04466	1			
2	712-0206	2	ECROU	FINISH:701-01000	
3	712-04065	4	ECROU	FINISH:701-01000 912-04065	
4	712-3083	2	ECROU	FINISH:701-01000	
5	714-04043	1	FINISH:SIEHE ZG.	FINISH:SIEHE ZG.	
6	714-0470	1	EPINGLE EX AF-43010	FINISH:PHOS & OIL 470 32 32	
7	716-0106A	2	CIRCLIPS	FINISH:701-01000	
8	720-0311	1	POIGNEE LEVIER DE VITESSE	FARBE: SCHWARZ	
9	732-04225	1	RESSORT	FINISH:PHOS & OIL	
10	736-0366	2	RONDELLE 5/8 ID X 1.0 OD	FINISH:701-01000	
11	736-0414	4	RONDELLE	736-0414 / 936-0414	
12	736-0921	2	RONDELLE 1/2"	FINISH:701-01001	
13	736-3084	2	RONDELLE	FINISH:MTD STD 701-01001	
14	738-04130	2	VIS .625X.175:3/8-16	FINISH:701-01002	
15	738-0507B	2	VIS	FINISH:PHOS & OIL	
16	741-0225	2	BAGUE HEXAGONALE TEFLON 6 PANS	FINISH: SCHWARZ	
17	747-04282	1	LEVIER	FINISH:701-01000	
18	747-04842	2			
19	747-1324	1	747-1324	5" DIA FINISH:701-01000	
20	783-04494B	1			
21	783-04711B	1			
22	783-0720C	1			

www.emc-motoculture.com

92/13AH760E659 (2008)/Bac Recuperateur

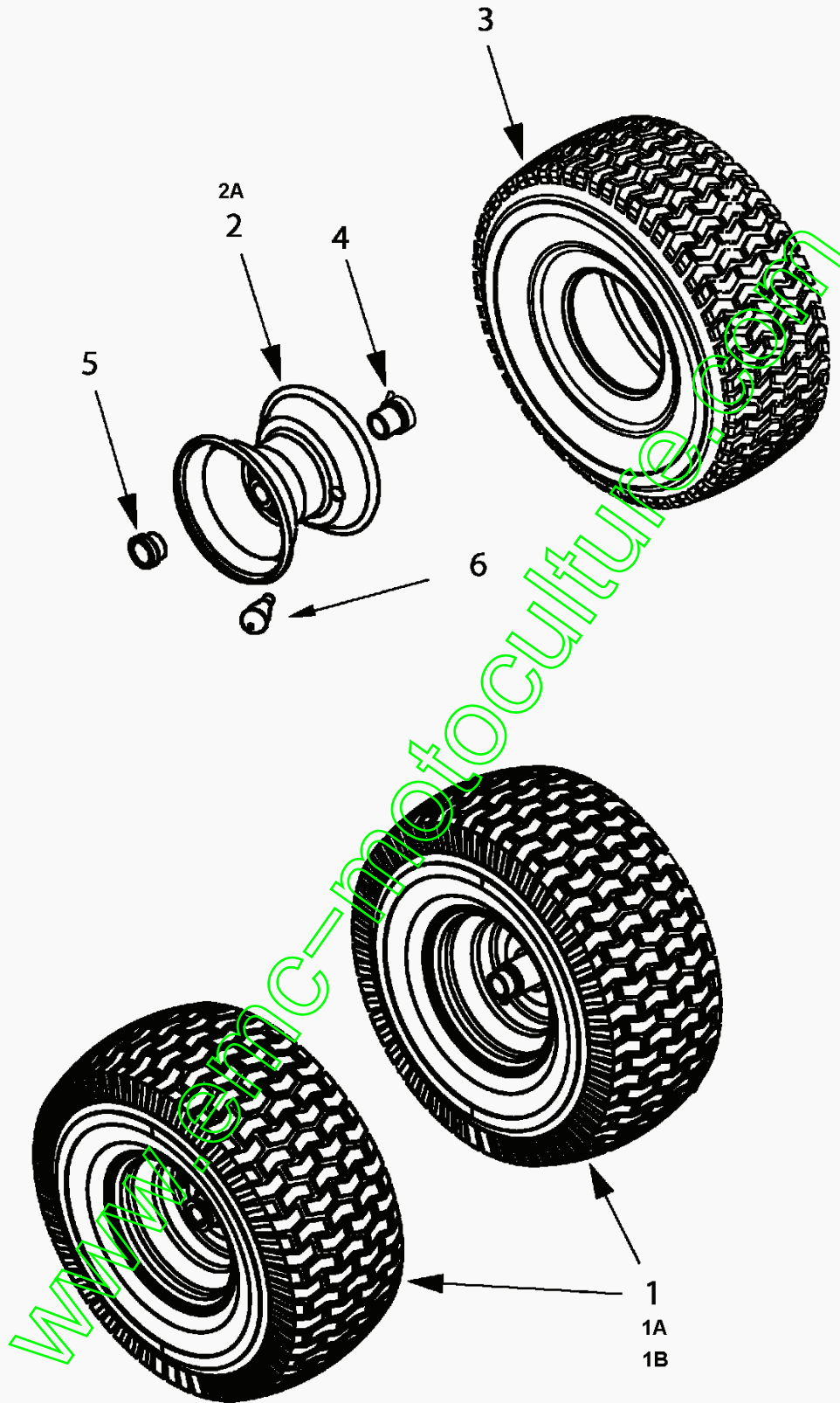
E3-03879A-01



Bac Recuperateur

Position	Partnumber	Quantity	Designation	Standard	Additional
1	17962	1	PLAQUETTE	17962	
2	649-04052	1			
3	649-04064	1			
4	664-04085	1	BAC ARRIERE	700:FINISH SCHWARZ	
5	683-04421	1			
6	683-04422	1			
7	710-0224	2	VIS	FINISH:MTD STD 701-01002	
8	710-04666	4	710-04666	GR5 FINISH:701-010015	
9	710-0599	2	VIS	FINISH:MTD SPEC-701-01002	
10	710-1017	4	VIS	FINISH:MTD SPEC-100016	
11	710-1376	1	VIS M8X16-8.8 DIN 933	FINISH:701-01000 21.1441.68	
12	710-1612A	4			
13	710-1682	2	VIS HEXAGONALE DIN 933	FINISH:SPEC-100015 21.1441.72	
14	710-1691	2	VIS	FINISH:Zn5gIcB 21.1441.45	
15	711-04138	6	BOULON .25 DIA X1.25 LG	FINISH:SIEHE ZG.	
16	711-0679A	1	CHEVILLE	FINISH:SIEHE ZG.	
17	711-0701	3	CHEVILLE 25 X 50	FINISH:SIEHE ZG.	
18	712-04064	4	ECROU	FINISH:701-01000 912-04064	
19	712-0691	4	ECROU	MTD SPEC-100015 24.1426.14	
20	712-0692	1	ECROU	FINISH:SPEC-100015 24.1426.18	
21	712-0714	2	ECROU	DIN 6926 MTD SPEC-100015	
22	714-0145	2	GOUPILLE	FINISH:PHOS & OIL	
23	714-0147	1	PRISE PIVOTANTE 125 X 1,75	FINISH:SIEHE ZG.	
24	714-04033	1	GOUPILLE.072X.92 LG	FINISH:PHOS & OIL	
25	714-04040	6	GOUPILLE	FINISH:VERZINKT	
26	720-0204	1	POIGNEE	FINISH:SCHWARZ	
27	725-04039	1	SECURITE EMBRAYAGE	FINISH:GRAY/BLACK 725-04039	
28	731-06106	1			
29	731-06163	1			
30	732-0838A	2	RESSORT	VERSCHLUSS	
31	749-04013	1	TUYAU DISPOSITIF D'ATTELAGE	30mm x 30mm x 216 LG:LACKIERT	
32	749-04108	2	KREUZ-VERBINDUNGSROHR:BAG 250L	FINISH:LACKIERT 500 MR	
33	749-04418	1			
34	783-05731	1			
35	783-05801	1			

www.emc-motocycle.com



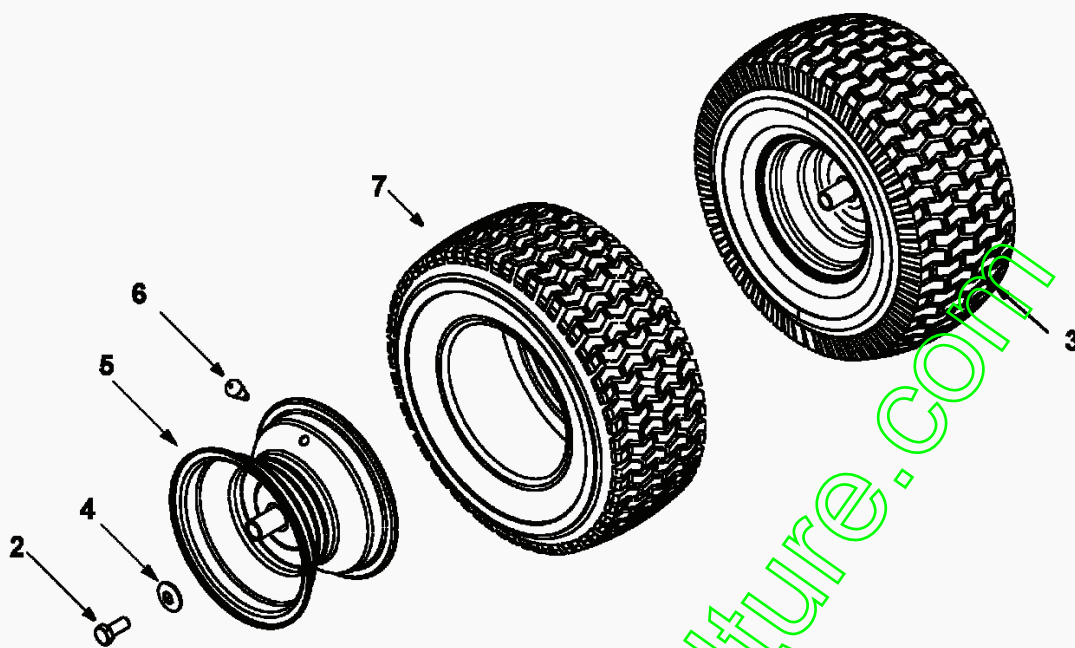
E3-02085B-01

Roue avant

Position	Partnumber	Quantity	Designation	Standard	Additional
1	634-04086662	2	ROUE COMPLETE	SQ SHL OYSTER-GRAY 788-0662	
1A	634-04086674	2	ROUE CPL 15X600 JAUNE Y-M	SQ SHL YARDMAN-YELLOW 788-0674	
1B	634-04086737	2	RAD VOLLST:KOMPL:15x6.0x6 SQ	SHL WEISS ALUMINIUM	
2	634-04081662	2	JANTE GRISE	OYSTERGRAY 788-0662	
2A	634-04081674	2	JANTE JAUNE Y-M	YARDMAM.YELLOW 788-0674	
3	734-1731	2	PNEU 15X600X6 DICO MULTI-TRAC	SQ SHOULDER	
4	741-0990A	2	DOUILLE	MIT SCHMIERNIPPEL	
5	741-0516A	2	DOUILLE	.757 ID x 1.00 OD x 1.2 LG	
6	734-0255	1	VALVE	934-0255	

www.emc-motoculture.com

92/13AH760E659 (2008)/Roue arrière



E3-02084B-01

Roue arrière

Position	Partnumber	Quantity	Designation	Standard	Additional
2	710-0627	2	VIS	FINISH:701-01000	
3	734-0817	2	ROUE COMPL 18X9,50-8 ST ELEC	734-0817-0662	
4	736-0242	2	RONDELLE	FINIS:701-01001	
5	634-0070	1	JANTE	FINISH:788-0499/674/0662	
6	734-0255	1	VALVE	934-0255	
7	734-0448	1	PNEU 18*950*8	734-0448-0901	

www.emc-motoculture.com