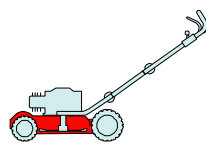


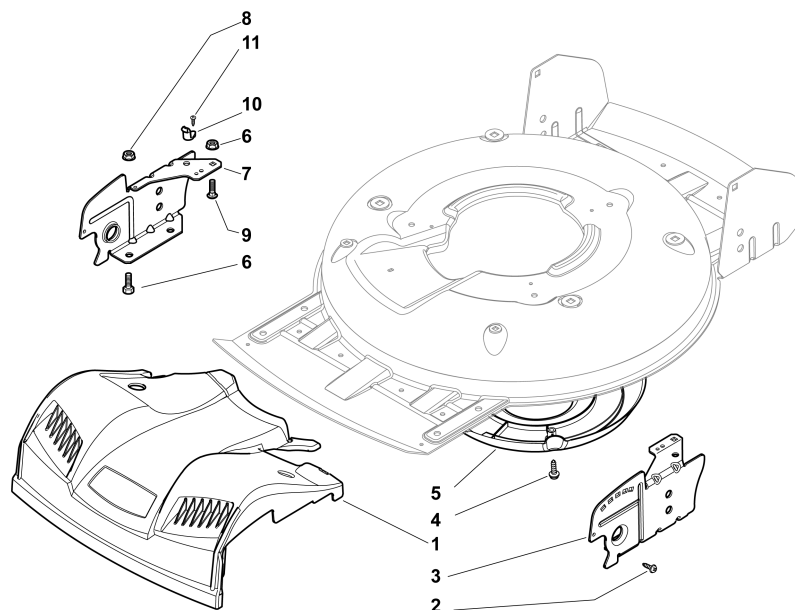
MCS 504



2007

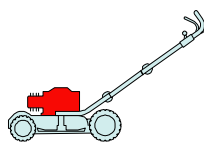
921.0

1 / 1

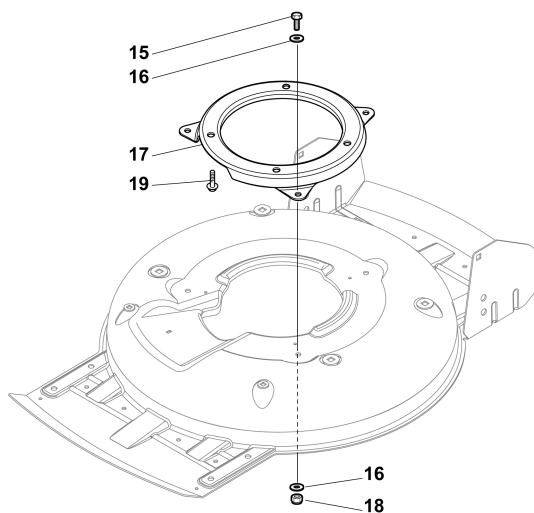


POS.	CODE	Q.TY	DESCRIZIONE	DESCRIPTION	DESCRIPTION	BESCHREIBUNG	REMARKS
1	22226097/0	1	MASCHERINA, GIALLO	MASK, YELLOW	MESQUE, JAUNE	MASKE, GELB	
-	22226098/0	1	MASCHERINA, GRIGIO	MASK, GREY	MESQUE, GRIS	MASKE, GRAU	
2	12728450/0	2	VITE	SCREW	VIS	SCHRAUBE	
3	22778421/0	1	STAFFA SX	BRACKET, L	BRIDE G	PRATZE, LINKE	
4	12728530/0	3	VITE	SCREW	VIS	SCHRAUBE	
5	22060220/0	1	CARTER	PROTECTION	PROTECTION	SCHUTZ	
6	12292102/0	2	DADO	NUT	ECROU	MUTTER	
-	12792611/0	4	VITE	SCREW	VIS	SCHRAUBE	
7	22778419/0	1	STAFFA DX	BRACKET, R	BRIDE D	PRATZE, RECHTE	
8	12293201/0	4	DADO	NUT	ECROU	MUTTER	
9	12815200/0	2	VITE	SCREW	VIS	SCHRAUBE	
10	22020400/0	2	AGGANCI	FAIRLEAD	SUPPORT	HALTER	
11	12728523/0	2	VITE	SCREW	VIS	SCHRAUBE	

MCS 504

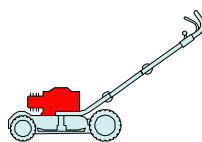


2007
921a.0
1 / 1

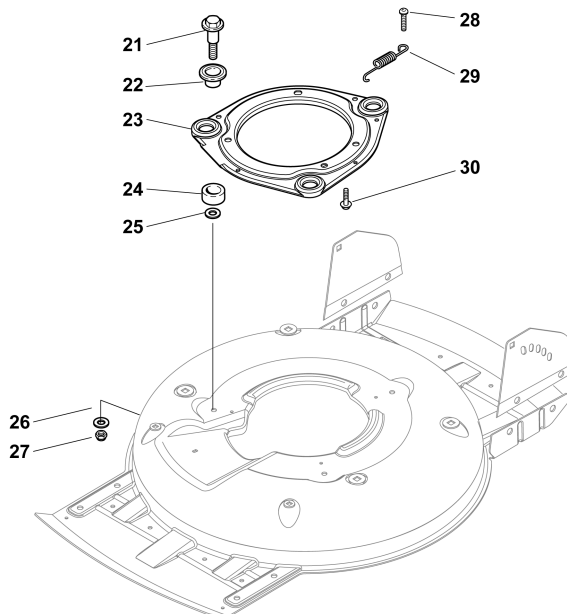


POS.	CODE	Q.TY	DESCRIZIONE	DESCRIPTION	DESCRIPTION	BESCHREIBUNG	REMARKS
15	12792611/0	3	VITE	SCREW	VIS	SCHRAUBE	
16	12523060/0	6	ROSETTA	WASHER	RONDELLE	SCHEIBE	
17	22207219/0	1	FLANGIA	FLANGE	BRIDE	FLANSCH	
18	12293201/0	3	DADO	NUT	ECROU	MUTTER	
19	12735108/0	3	VITE	SCREW	VIS	SCHRAUBE	

MCS 504

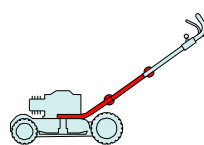


2007
921b.0
1 / 1



POS.	CODE	Q.TY	DESCRIZIONE	DESCRIPTION	DESCRIPTION	BESCHREIBUNG	REMARKS
21	22524329/0	3	PERNO	PIN	PIVOT	BOLZEN	
22	22672201/0	3	ROSETTA	WASHER	RONDELLE	SCHEIBE	
23	81207221/1	1	FLANGIA, GIALLO	FLANGE, YELLOW	BRIDE, JAUNE	FLANSCH, GLEB	
-	81207222/1	1	FLANGIA, NERO	FLANGE, BLACK	BRIDE, NOIR	FLANSCH, SCHWARZ	
24	22250012/0	3	GOMMINO	GROMMET	PROCTECION	SCHUTZ	
25	22672201/0	3	ROSETTA	WASHER	RONDELLE	SCHEIBE	
26	22671651/0	3	ROSETTA	WASHER	RONDELLE	SCHEIBE	
27	12155000/0	3	DADO	NUT	ECROU	MUTTER	
28	12791400/0	1	VITE	SCREW	VIS	SCHRAUBE	
29	22450444/0	1	MOLLA	SPRING	RESSORT	FEDER	
30	12735108/0	3	VITE	SCREW	VIS	SCHRAUBE	

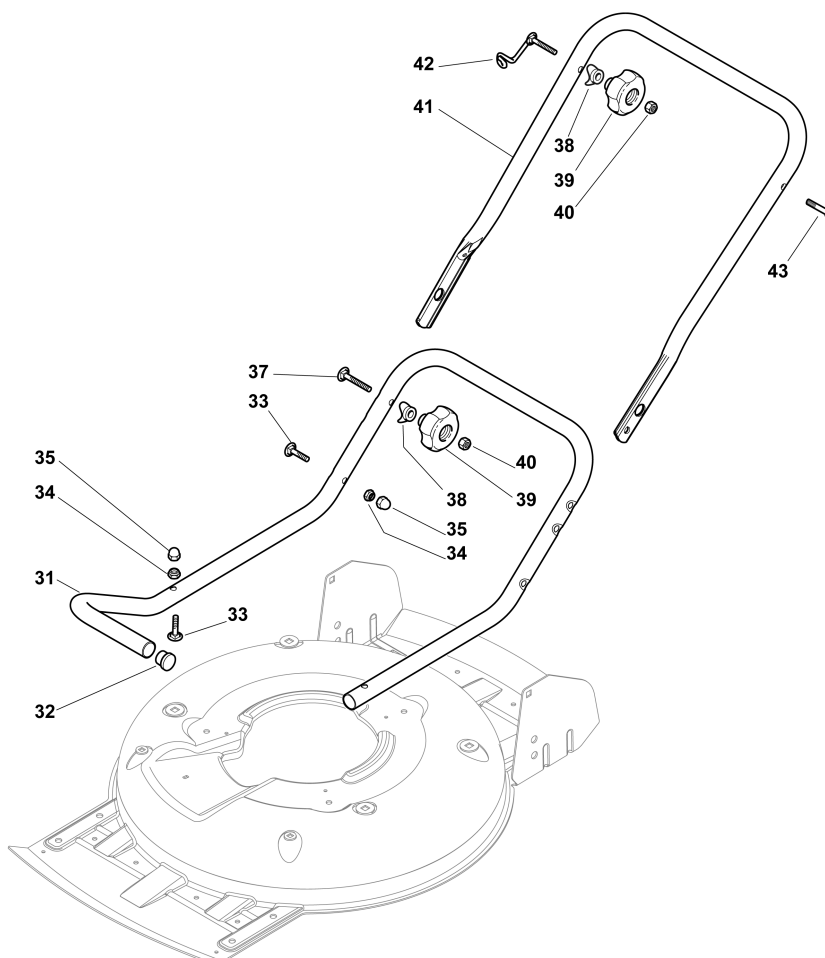
MCS 504



2007

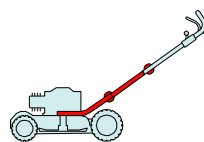
922.0

1 / 1

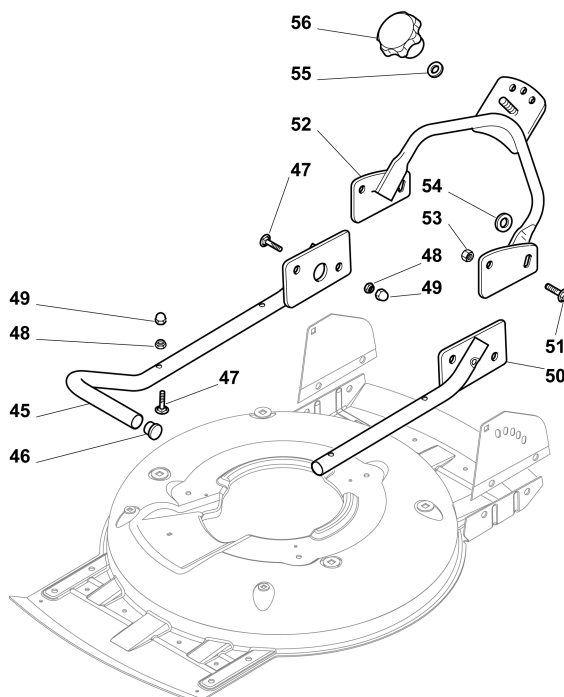


POS.	CODE	Q.TY	DESCRIZIONE	DESCRIPTION	DESCRIPTION	BESCHREIBUNG	REMARKS
31	81006667/0	1	MANICO, PARTE INF	HANDLE, LOWER PART	MANCHERON, PARTIE INFERIEURE	HOLM, UNTERTEIL	
32	18566110/0	2	PUNTALE	CAP	BOUCHON	GUMMISTOPFEN	
33	12818900/0	4	VITE	SCREW	VIS	SCHRAUBE	
34	12155000/0	4	DADO	NUT	ECROU	MUTTER	
35	18203854/0	4	CAPPUCCIO	PROTECTION	CAPUCHON	STECKER	
36	12818900/0	4	VITE	SCREW	VIS	SCHRAUBE	
37	12819202/0	2	VITE	SCREW	VIS	SCHRAUBE	
38	22680006/1	4	ROSETTA	WASHER	RONDELLE	SCHEIBE	
39	22399804/0	4	MANOPOLINA	KNOB	POIGNÉE	GRIFF	
40	12293200/0	4	DADO	NUT	ECROU	MUTTER	
41	81006668/0	1	MANICO, PARTE INTERMEDIA	HANDLE, MIDDLE PART	MANCHERON	HOLM	
42	81003801/1	1	MOLLA GUIDA	GUIDE SPRING	RESSORT DE GUIDE	FEDER FÜHRER	
43	12819201/0	1	VITE	SCREW	VIS	SCHRAUBE	

MCS 504

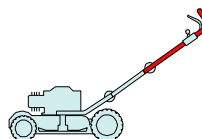


2007
922a.0
1 / 1



POS.	CODE	Q.TY	DESCRIZIONE	DESCRIPTION	DESCRIPTION	BESCHREIBUNG	REMARKS
45	81006373/0	1	MANICO, PARTE INF DX	HANDLE, R LOWER PART	MANCHERON, PARTIE INFERIEURE D	HOLM, RECHTE UNTERTEIL	
46	18566114/0	4	PUNTALE	CAP	BOUCHON	GUMMISTOPFEN	
47	12819100/0	6	VITE	SCREW	VIS	SCHRAUBE	
48	12155000/0	6	DADO	NUT	ECROU	MUTTER	
49	18203854/0	6	CAPPUCCIO	PROTECTION	CAPUCHON	STECKER	
50	81006375/0	1	MANICO, PARTE INF SX	HANDLE, L LOWER PART	MANCHERON, PARTIE INFERIEURE G	HOLM, LINKE UNTERTEIL	
51	12793102/0	4	VITE	SCREW	VIS	SCHRAUBE	
52	81006361/0	1	MANICO, PARTE INF GIALLO	HANDLE, LOWER PART YELLOW	MANCHERON, PARTIE INFERIEURE JAUNE	HOLM, UNTERTEIL GELB	
53	12155000/0	4	DADO	NUT	ECROU	MUTTER	
54	12523060/0	2	ROSETTA	WASHER	RONDELLE	SCHEIBE	
55	12523080/0	1	ROSETTA	WASHER	RONDELLE	SCHEIBE	
56	22399813/0	1	MANOPOLINA	KNOB	POIGNÉE	GRIF	

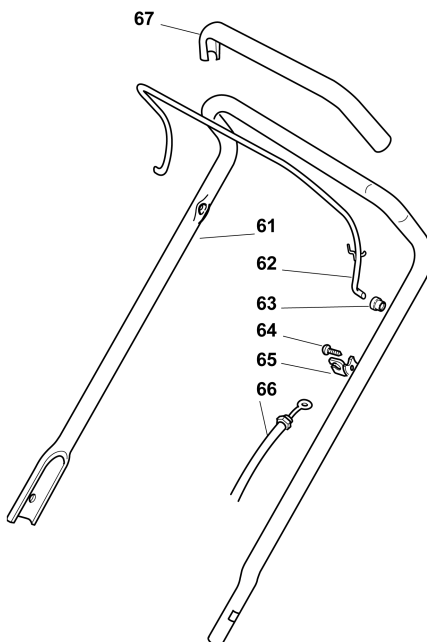
MCS 504



2007

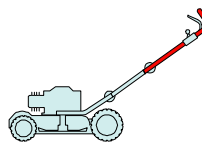
923.0

1 / 1



POS.	CODE	Q.TY	DESCRIZIONE	DESCRIPTION	DESCRIPTION	BESCHREIBUNG	REMARKS
61	81007018/1	1	MANICO, PARTE SUP	HANDLE, UPPER PART	MANCHERON, PARTIE SUPERIEURE	HOLM, OBERTEIL	
62	81003291/3	1	LEVA FRENO MOTORE	LEVER, MOTOR BRAKE	LEVIER FREIN MOTEUR	HEBEL, MOTORBREMSE	
63	22041966/0	2	BUSSOLA	BUSH	DOUILLE	BUCHSE	
64	12728518/0	1	VITE	SCREW	VIS	SCHRAUBE	
65	22806612/0	1	SUPPORTO	SUPPORT	SUPPORT	HALTER	
66	81000633/0	1	CAVO FRENO MOTORE	CABLE, THREAD ENG. BRAKE	CABLE FREIN MOTEUR	KABEL, MOTORBREMSE	(B&S QUANTUM/ES45)
-	81000615/0	1	CAVO FRENO MOTORE	CABLE, THREAD ENG. BRAKE	CABLE FREIN MOTEUR	KABEL, MOTORBREMSE	(GGP ENGINE)
-	81000631/0	1	CAVO FRENO MOTORE	CABLE, THREAD ENG. BRAKE	CABLE FREIN MOTEUR	KABEL, MOTORBREMSE	(HONDA - B&S CLASSIC/SPRINT/LS/LC)
67	22291050/0	1	IMPUGNATURA MANICO NERA	HANDGRIP BLACK	POIGNÉE NOIRE	HANDGRIFF SCHWARZER	

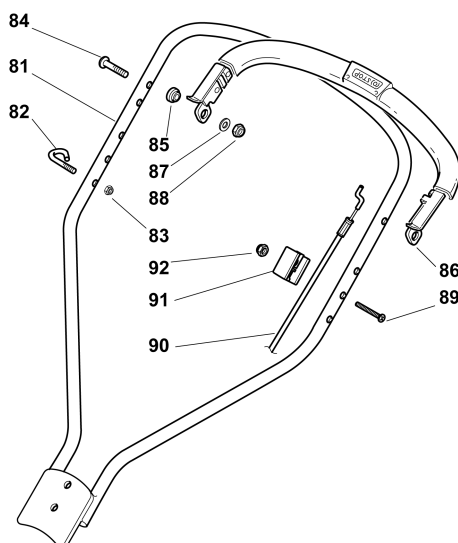
MCS 504



2007

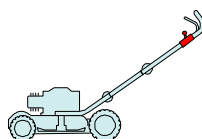
923a.0

1 / 1



POS.	CODE	Q.TY	DESCRIZIONE	DESCRIPTION	DESCRIPTION	BESCHREIBUNG	REMARKS
81	81006363/1	1	MANICO, PARTE SUP GIALLO	HANDLE, UPPER PART YELLOW	MANCHERON, PARTIE SUPERIEURE JAUNE	HOLM, OBERTEIL, GELB	
82	22430314/0	1	MOLLA GUIDA	GUIDE SPRING	RESSORT DE GUIDE	FEDER FÜHRER	
83	12154510/0	1	DADO	NUT	ECROU	MUTTER	
84	12727784/0	2	VITE	SCREW	VIS	SCHRAUBE	
85	22671660/1	2	ROSETTA	WASHER	RONDELLE	SCHEIBE	
86	81003318/1	1	LEVA FRENO MOTORE	LEVER, MOTOR BRAKE	LEVIER FREIN MOTEUR	HEBEL, MOTORBREMSE	
87	12523040/0	2	ROSETTA	WASHER	RONDELLE	SCHEIBE	
88	12154510/0	2	DADO	NUT	ECROU	MUTTER	
89	12727783/0	1	VITE	SCREW	VIS	SCHRAUBE	
90	81000733/0	1	CAVO FRENO MOTORE	CABLE, THREAD ENG. BRAKE	CABLE FREIN MOTEUR	KABEL, MOTORBREMSE	(B&S - HONDA - GGP ENGINE SV/M 150)
-	81000729/0	1	CAVO FRENO MOTORE	CABLE, THREAD ENG. BRAKE	CABLE FREIN MOTEUR	KABEL, MOTORBREMSE	(GGP ENGINE SV200)
91	22551640/0	1	PIASTRINA	PLATE	PLAQUETTE	PLÄTTCHEN	
92	12154510/0	1	DADO	NUT	ECROU	MUTTER	

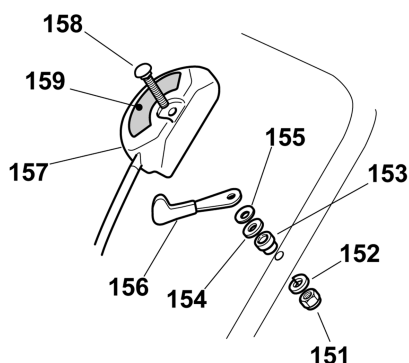
MCS 504



2007

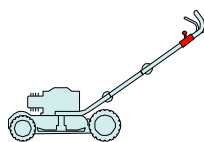
923b.0

1 / 1



POS.	CODE	Q.TY	DESCRIZIONE	DESCRIPTION	DESCRIPTION	BESCHREIBUNG	REMARKS
151	12291000/0	1	DADO	NUT	ECROU	MUTTER	
152	12581500/0	1	GROWER	GROWER	GROWER	FEDERRING	
153	22171005/0	1	DISTANZIALE	SPACER	ENTRETOISE	DISTANZRING	
154	12521360/0	1	ROSETTA	WASHER	RONDELLE	SCHEIBE	
155	12508100/0	1	ROSETTA ELASTICA	SPRING WASHER	RONDELLE ELASTIQUE	ELASTISCHE SCHEIBE	
156	81007220/0	1	LEVA, ACCELERATORE	LEVER, THROTTLE	LEVIER, ACCELERATEUR	HEBEL, BESHLEUNIGER	(B&S CLASSIC/SPRINT/LS/LC - GGP ENGINE)
-	81007279/1	1	LEVA, ACCELERATORE	LEVER, THROTTLE	LEVIER, ACCELERATEUR	HEBEL, BESHLEUNIGER	(B&S QUANTUM - HONDA)
157	81007080/0	1	CAVO ACCELERATORE	CABLE, TROTTLE	CABLE, ACCELERATEUR	KABLE, BESHLEUNIGER	
158	12815000/0	1	VITE	SCREW	VIS	SCHRAUBE	
159	14356703/0	1	ETICHETTA	LABEL	ETIQUETTE	ETIKETTE	(B&S)
-	14356702/0	1	ETICHETTA	LABEL	ETIQUETTE	ETIKETTE	(GGP ENGINE - HONDA)

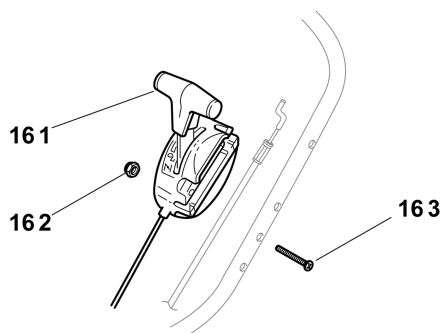
MCS 504



2007

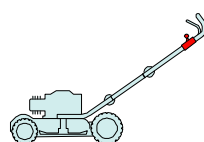
923c.0

1 / 1

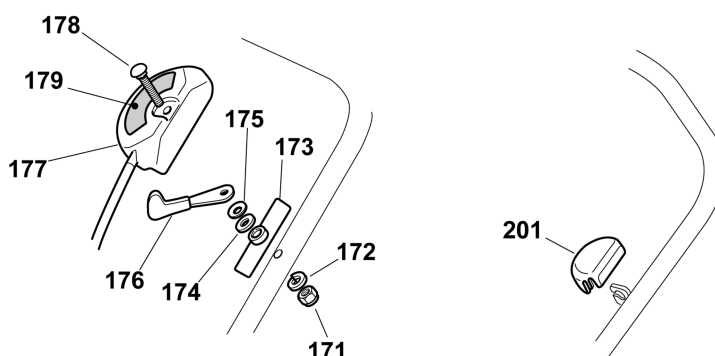


POS.	CODE	Q.TY	DESCRIZIONE	DESCRIPTION	DESCRIPTION	BESCHREIBUNG	REMARKS
161	81007130/0	1	CAVO ACCELERATORE	CABLE, TROTTLE	CABLE, ACCELERATEUR	KABLE, BESCHLEUNIGER	(HONDA)
162	12154510/0	1	DADO	NUT	ECROU	MUTTER	
163	12727786/0	1	VITE	SCREW	VIS	SCHRAUBE	

MCS 504

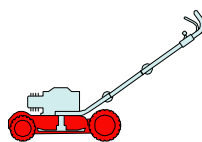


2007
923d.0
1 / 1



POS.	CODE	Q.TY	DESCRIZIONE	DESCRIPTION	DESCRIPTION	BESCHREIBUNG	REMARKS
171	12291000/0	1	DADO	NUT	ECROU	MUTTER	
172	12581500/0	1	GROWER	GROWER	GROWER	FEDERRING	
173	22171006/0	1	DISTANZIALE	SPACER	ENTRETOISE	DISTANZRING	
174	12521360/0	1	ROSETTA	WASHER	RONDELLE	SCHEIBE	
175	12508100/0	1	ROSETTA ELASTICA	SPRING WASHER	RONDELLE ELASTIQUE	ELASTISCHE SCHEIBE	
176	81007220/0	1	LEVA, ACCELERATORE	LEVER, THROTTLE	LEVIER, ACCELERATEUR	HEBEL, BESHLEUNIGER	(B&S CLASSIC/SPRINT/LS/LC - GGP ENGINE)
-	81007279/1	1	LEVA, ACCELERATORE	LEVER, THROTTLE	LEVIER, ACCELERATEUR	HEBEL, BESHLEUNIGER	(B&S QUANTUM - HONDA)
177	81007080/0	1	CAVO ACCELERATORE	CABLE, TROTTLE	CABLE, ACCELERATEUR	KABLE, BESHLEUNIGER	
178	12815030/0	1	VITE	SCREW	VIS	SCHRAUBE	
179	14356703/0	1	ETICHETTA	LABEL	ETIQUETTE	ETIKETTE	(B&S)
-	14361404/0	1	ETICHETTA	LABEL	ETIQUETTE	ETIKETTE	(GGP ENGINE - AVS)
-	14356702/0	1	ETICHETTA	LABEL	ETIQUETTE	ETIKETTE	(GGP ENGINE - HONDA)
201	22601000/0	1	PROTEZIONE	PROTECTION	PROTECTION	SCHUTZ	

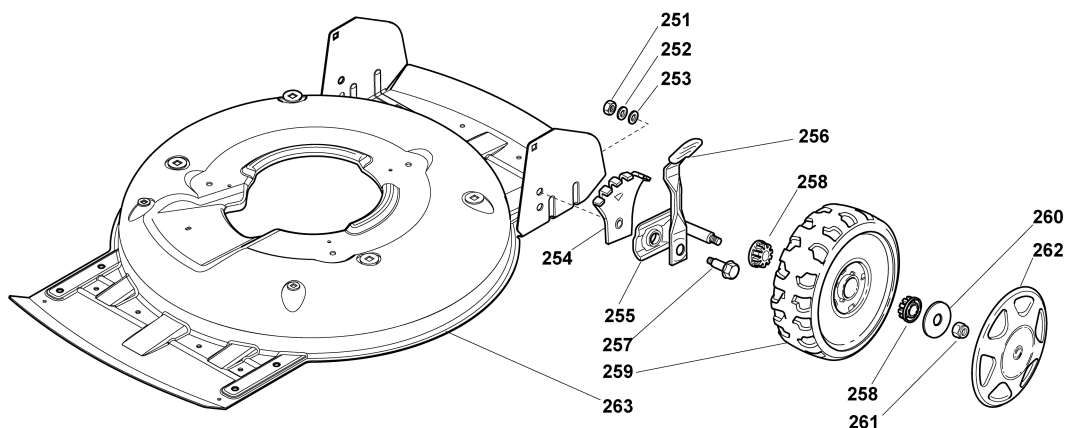
MCS 504



2007

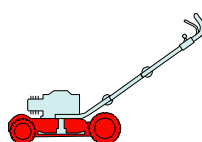
924.0

1 / 1



POS.	CODE	Q.TY	DESCRIZIONE	DESCRIPTION	DESCRIPTION	BESCHREIBUNG	REMARKS
251	12293200/0	4	DADO	NUT	ECROU	MUTTER	
252	12583500/0	4	GROWER	GROWER	GROWER	FEDERRING	
253	12523070/0	4	ROSETTA	WASHER	RONDELLE	SCHEIBE	
254	22735547/0	4	SETTORE REGOLAZIONE ALTEZZA	SECTOR, HEIGHT ADJUSTMENT	SECTEUR REGLAGE HAUTEUR	SEKTOR, HÖHEVERSTELLUNG	
255	81005082/0	4	SUPPORTO RUOTA	SUPPORT, WHEEL	SUPPORT ROUE	HALTER, RAD	
256	81003286/0	4	LEVA REGOLAZIONE ALTEZZA	LEVER, HEIGHT ADJUSTMENT	LEVIER REGLAGE HAUTEUR	HEBEL, HÖNEVERSTELLUNG	
257	22519811/0	4	PERNO	PIN	PIVOT	BOLZEN	
258	22034508/0	8	BUSSOLA	BUSH	DOUILLE	BUCHSE	
259	22686092/0	2	RUOTA Ø 190	WHEEL Ø 190	ROUE Ø190	RAD Ø 190	
260	12523060/0	4	ROSETTA	WASHER	RONDELLE	SCHEIBE	
261	12155000/0	4	DADO	NUT	ECROU	MUTTER	
262	---	4	COPRIMOZZO	HUB CAP	COUVRE-MOYEU	RADKAPPE	(SEE ENCLOSURE 2)
263	81002907/1	1	CHASSIS GIALLO	DECK YELLOW	CHÂSSIS JAUNE	GEHÄUSE GELB	

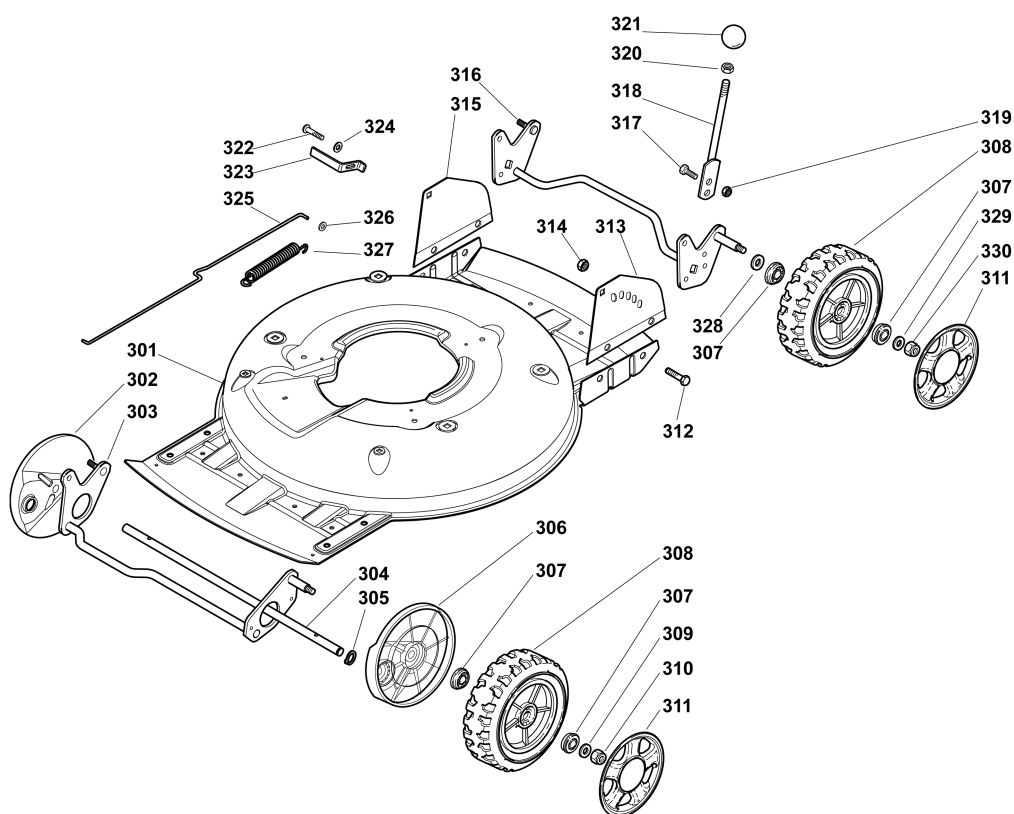
MCS 504



2007

924a.0

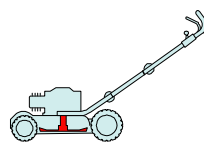
1 / 2



POS.	CODE	Q.TY	DESCRIZIONE	DESCRIPTION	DESCRIPTION	BESCHREIBUNG	REMARKS
301	81002909/1	1	CHASSIS GRIGIO	DECK GREY	CHÂSSIS GRIS	GEHÄUSE GRAU	
302	22600093/0	1	PROT. RUOTE SX	PROTECTION, L WHEEL	PROTECTION ROUE G	SCHÜTZ, LINKES RÄDER	
303	81002849/0	1	ASSE RUOTE ANTERIORI	AXLE, FRONT WHEELS	AXE ROUES AVANT	ACHSE, VORDERRAD	
304	22033397/0	1	ASSE RUOTE ANTERIORI	AXLE, FRONT WHEELS	AXE ROUES AVANT	ACHSE, VORDERRAD	
305	22020050/0	2	ANELLO ELASTICO	SNAP RING	ANNEAU RESSORT	SPRENGRING	
306	22600092/0	1	PROT. RUOTE DX	PROTECTION, R WHEEL	PROTECTION ROUE D	SCHÜTZ, RECHTES RÄDER	
307	22122200/0	8	CUSCINETTO	BEARING	COUSSINET	LAGER	
308	81007343/0	4	RUOTA SCOLPITA Ø 210	WHEEL, KNOBBLY Ø 210	ROUE SCULPTEE Ø 210	RAD M. STOLLENPR. Ø 210	
309	12369500/0	2	DISCO ELASTICO	ELASTIC WASHER	DISQUE ELASTIQUE	FEDERSCHEIBE	
310	12155000/0	2	DADO	NUT	ECROU	MUTTER	
311	---	4	COPRIMOZZO	HUB CAP	COUVRE-MOYEU	RADKAPPE	(SEE ENCLOSURE 2)
312	12791011/0	4	VITE	SCREW	VIS	SCHRAUBE	
313	81545105/0	1	PIASTRINA SINISTRA	LEFT PLATE	PLAQUETTE G	PLÄTTCHEN L	
314	12154510/0	4	DADO	NUT	ECROU	MUTTER	
315	81545104/0	1	PIASTRINA DESTRA	RIGHT PLATE	PLAQUETTE D	PLÄTTCHEN R	
316	81002851/0	1	ASSE RUOTE POSTERIORI	AXLE, REAR WHEELS	AXE ROUES ARRIERE	ACHSE, HINTERRAD	
317	12789000/0	2	VITE	SCREW	VIS	SCHRAUBE	
318	81003323/0	1	LEVA REGOLAZIONE ALTEZZA	LEVER, HEIGHT ADJUSTMENT	LEVIER REGLAGE HAUTEUR	HEBEL, HÖNEVERSTELLUNG	
319	12154330/0	2	DADO	NUT	ECROU	MUTTER	
320	12293200/0	1	DADO	NUT	ECROU	MUTTER	
321	22399812/0	1	MANOPOLINA	KNOB	POIGNÉE	GRIFF	
322	12735661/0	2	VITE	SCREW	VIS	SCHRAUBE	
323	22551529/0	2	PIASTRINA	PLATE	PLAQUETTE	PLÄTTCHEN	
324	12521330/0	2	ROSETTA	WASHER	RONDELLE	SCHEIBE	

POS.	CODE	Q.TY	DESCRIZIONE	DESCRIPTION	DESCRIPTION	BESCHREIBUNG	REMARKS
325	22033329/0	1	ASTA COMANDO REGOL. ALTEZZA	ROD, HEIGHT ADJUSTMENT CONTROL	TIGE COMMANDE REGLAGE HAUTEUR	STANGE, HÖHEVERSTELLUNG	
326	12604899/0	2	FISSATORE A CORONA	CROWN FASTENER	FIXATEUR A COURONNE	KRONESCHEIBE	
327	22446184/0	1	MOLLA	SPRING	RESSORT	FEDER	
328	12530150/0	2	ROSETTA ELASTICA	SPRING WASHER	RONDELLE ELASTIQUE	ELASTISCHE SCHEIBE	
329	12521350/0	2	ROSETTA	WASHER	RONDELLE	SCHEIBE	
330	12155000/0	2	DADO	NUT	ECROU	MUTTER	

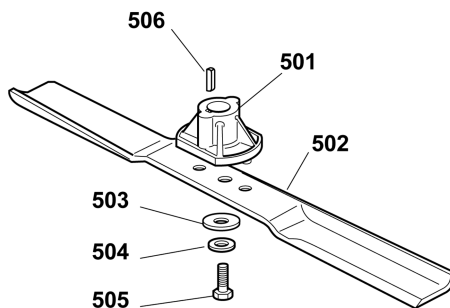
MCS 504



2007

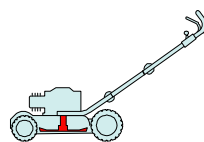
925.0

1 / 1

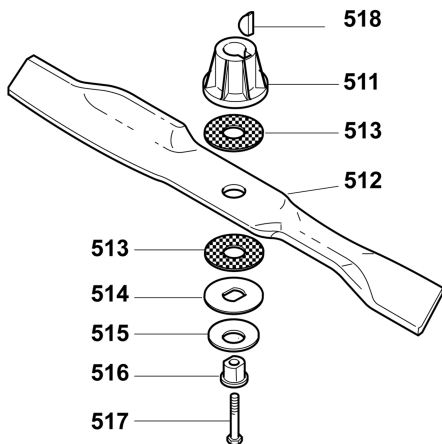


POS.	CODE	Q.TY	DESCRIZIONE	DESCRIPTION	DESCRIPTION	BESCHREIBUNG	REMARKS
501	22463012/1	1	MOZZO	HUB	MOYEU	HALTER	
502	81004146/0	1	COLTELLO ALETTATO	BLADE WINGED	LAME AILETTÉE	MESSER FLÜGEL	
503	22160400/0	1	DISCO ELASTICO	ELASTIC WASHER	DISQUE ELASTIQUE	FEDERSCHEIBE	
504	12523080/0	1	ROSETTA	WASHER	RONDELLE	SCHEIBE	
505	12735698/0	1	VITE	SCREW	VIS	SCHRAUBE	
506	12139100/0	1	LINGUETTA	FEATHER	CLAVETTE	KEIL	

MCS 504



2007
925a.0
1 / 1



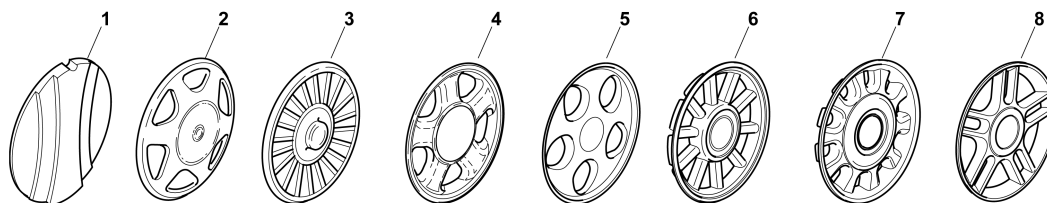
POS.	CODE	Q.TY	DESCRIZIONE	DESCRIPTION	DESCRIPTION	BESCHREIBUNG	REMARKS
511	22465611/0	1	MOZZO	HUB	MOYEU	HALTER	
512	81004146/0	1	COLTELLO ALETTATO	BLADE WINGED	LAME AILETTÉE	MESSER FLÜGEL	
513	22672110/1	2	RONDELLA FRIZIONE	CLUTCH WASHER	RONDELLE FRICTION	KUPPLUNGSCHEIBE	
514	22672105/0	1	ROSETTA	WASHER	RONDELLE	SCHEIBE	
515	12508120/0	1	MOLLA A TAZZA	CUPPED SPRING	RESSORT	TELLER FEDER	
516	22041940/0	1	BUSSOLA FRIZIONE	CLUTCH BUSH	DOUILLE FRICTION	KUPPLUNGSSCHEIBE	
517	12736850/0	1	VITE	SCREW	VIS	SCHRAUBE	
518	12139100/0	1	LINGUETTA	FEATHER	CLAVETTE	KEIL	

ENCLOSURE 1

2007

001.0

1 / 1



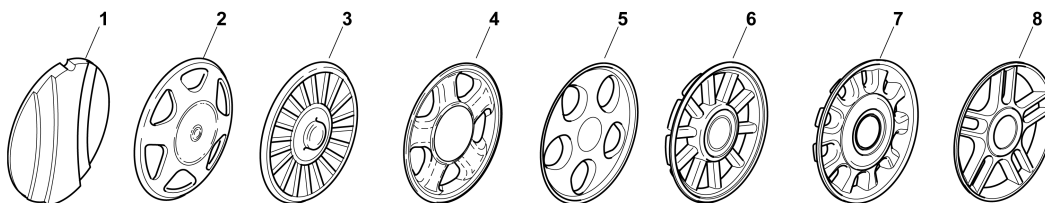
POS.	CODE	Q.TY	DESCRIZIONE	DESCRIPTION	DESCRIPTION	BESCHREIBUNG	REMARKS
1	22110252/1		COPRIMOZZO BIANCO	HUB CAP WHITE	COUVRE-MOYEU BLANC	RADKAPPE WEIßE	
-	22110254/1		COPRIMOZZO GIALLO	HUB CAP YELLOW	COUVRE-MOYEU JAUNE	RADKAPPE GELBE	
-	22110255/1		COPRIMOZZO ROSSO	HUB CAP RED	COUVRE-MOYEU ROUGE	RADKAPPE ROTE	
2	22110344/0		COPRIMOZZO BIANCO	HUB CAP WHITE	COUVRE-MOYEU BLANC	RADKAPPE WEIßE	
-	22110395/0		COPRIMOZZO GRIGIO	HUB CAP GREY	COUVRE-MOYEU GRIS	RADKAPPE GRAU	
3	22110347/0		COPRIMOZZO GRIGIO	HUB CAP GREY	COUVRE-MOYEU GRIS	RADKAPPE GRAU	
4	22110381/0		COPRIMOZZO GRIGIO	HUB CAP GREY	COUVRE-MOYEU GRIS	RADKAPPE GRAU	
5	22110416/0		COPRIMOZZO GRIGIO	HUB CAP GREY	COUVRE-MOYEU GRIS	RADKAPPE GRAU	
6	22110495/0		COPRIMOZZO GRIGIO	HUB CAP GREY	COUVRE-MOYEU GRIS	RADKAPPE GRAU	
7	22110493/0		COPRIMOZZO GRIGIO	HUB CAP GREY	COUVRE-MOYEU GRIS	RADKAPPE GRAU	
8	22110491/0		COPRIMOZZO GRIGIO	HUB CAP GREY	COUVRE-MOYEU GRIS	RADKAPPE GRAU	

ENCLOSURE 2

2007

002.0

1 / 1



POS.	CODE	Q.TY	DESCRIZIONE	DESCRIPTION	DESCRIPTION	BESCHREIBUNG	REMARKS
1	22110251/0		COPRIMOZZO BIANCO	HUB CAP WHITE	COUVRE-MOYEU BLANC	RADKAPPE WEIßE	
-	22110253/0		COPRIMOZZO GIALLO	HUB CAP YELLOW	COUVRE-MOYEU JAUNE	RADKAPPE GELBE	
-	22110256/0		COPRIMOZZO ROSSO	HUB CAP RED	COUVRE-MOYEU ROUGE	RADKAPPE ROTE	
2	22110313/0		COPRIMOZZO BIANCO	HUB CAP WHITE	COUVRE-MOYEU BLANC	RADKAPPE WEIßE	
-	22110314/0		COPRIMOZZO GRIGIO	HUB CAP GREY	COUVRE-MOYEU GRIS	RADKAPPE GRAU	
3	22110348/0		COPRIMOZZO GRIGIO	HUB CAP GREY	COUVRE-MOYEU GRIS	RADKAPPE GRAU	
4	22110382/0		COPRIMOZZO GRIGIO	HUB CAP GREY	COUVRE-MOYEU GRIS	RADKAPPE GRAU	
5	22110417/0		COPRIMOZZO GRIGIO	HUB CAP GREY	COUVRE-MOYEU GRIS	RADKAPPE GRAU	
6	22110496/0		COPRIMOZZO GRIGIO	HUB CAP GREY	COUVRE-MOYEU GRIS	RADKAPPE GRAU	
7	22110494/0		COPRIMOZZO GRIGIO	HUB CAP GREY	COUVRE-MOYEU GRIS	RADKAPPE GRAU	
8	22110492/0		COPRIMOZZO GRIGIO	HUB CAP GREY	COUVRE-MOYEU GRIS	RADKAPPE GRAU	